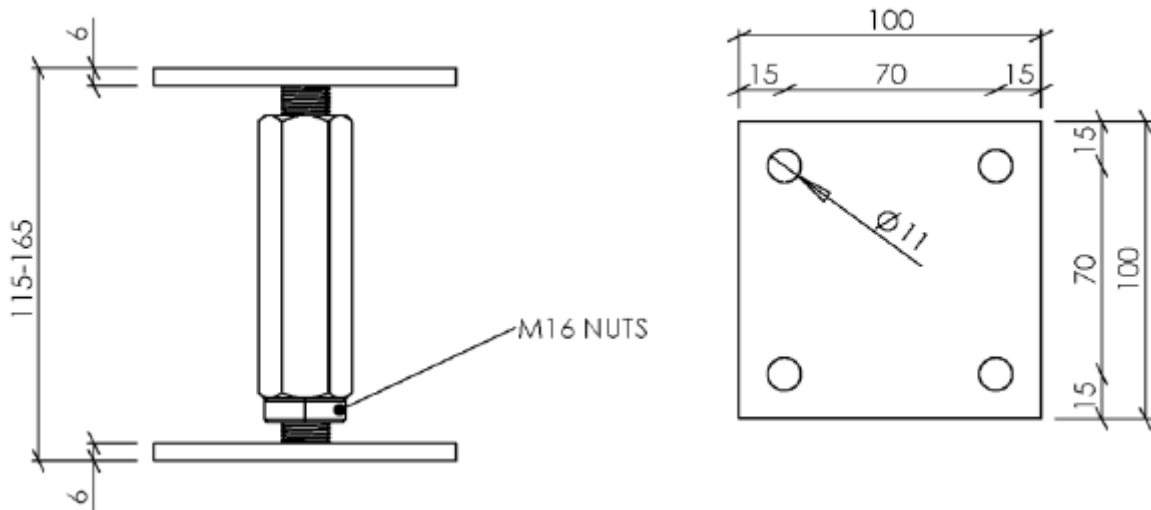


# LOAD CAPACITY

## Stanchion holder BH-100

**ESSVE**  
GET IT DONE



### Load Capacity of BH-100 in C24-timber (350 kg/m<sup>3</sup>) with 8x bolts

Load direction	F <sub>down</sub>
Characteristic value [kN]	18,1
Design value [kN]	8,4
Allowable value [kg]	605