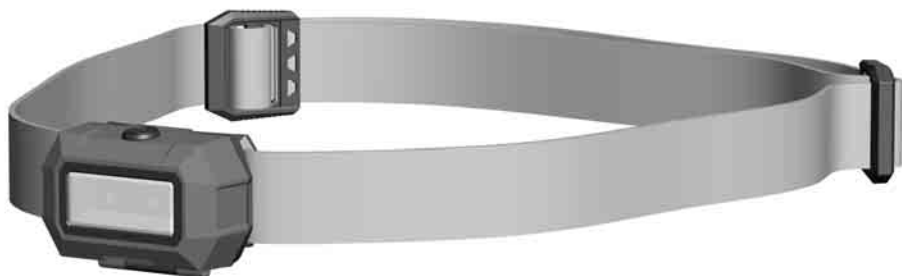




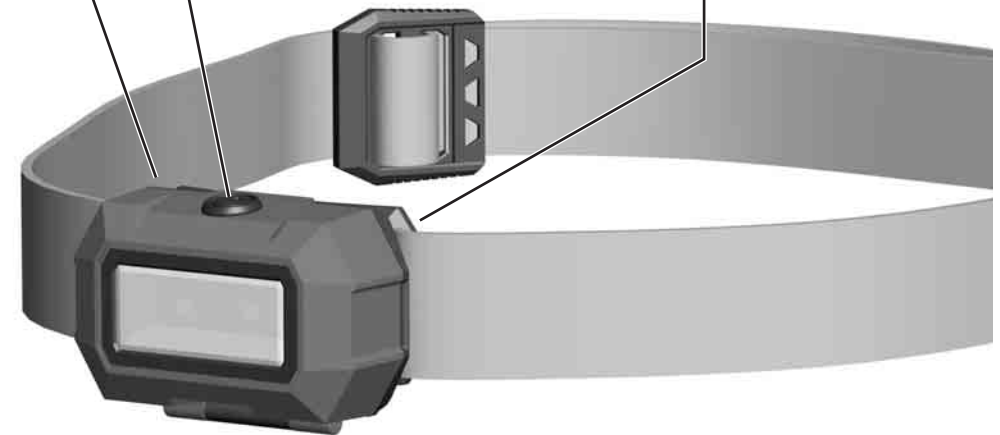
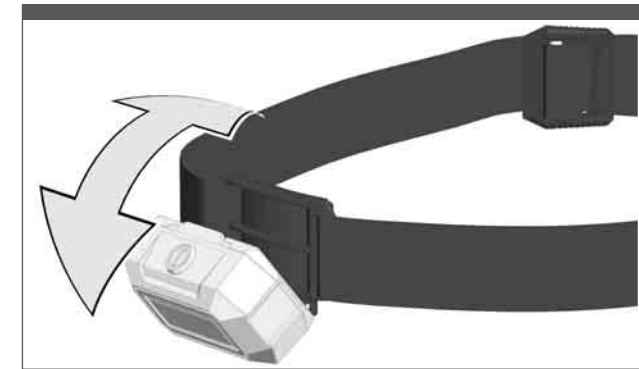
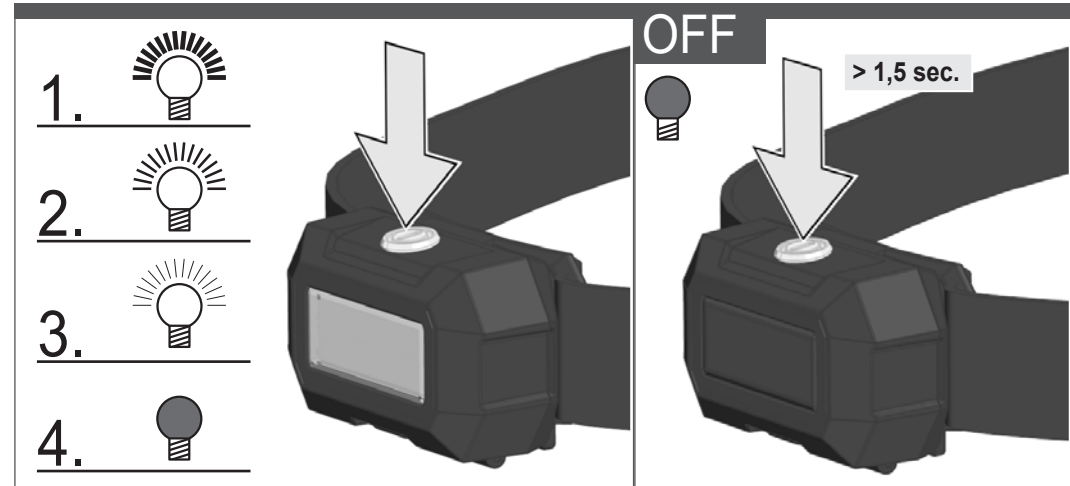
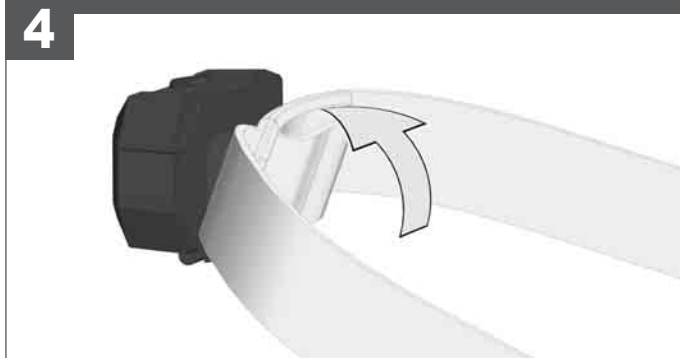
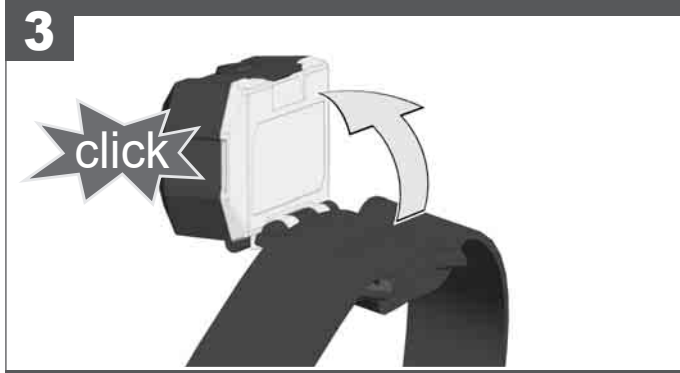
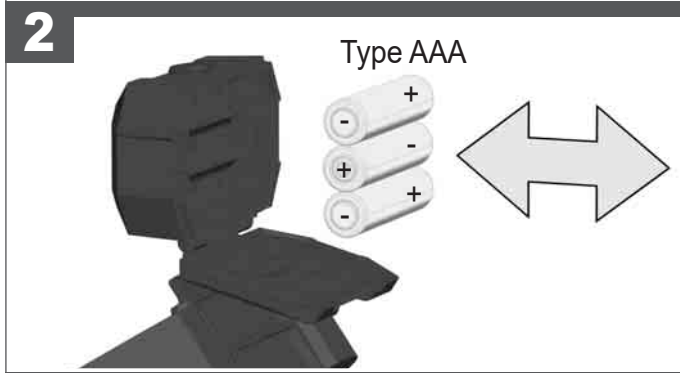
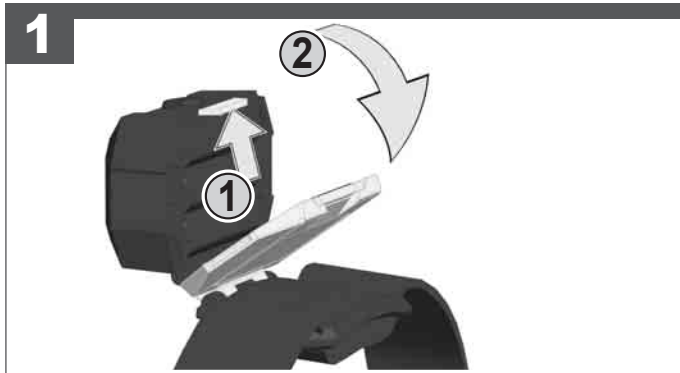
Nothing but **HEAVY DUTY.**<sup>®</sup>



## **HL2-LED**

---

Original instructions



TECHNICAL DATA	BATTERY LAMP	HL2-LED
Rated Power input.....		3,5 W
Lighting time		
Mode 1 High Level.....		4 h
Mode 2 Med Level.....		8,5 h
Mode 3 Low Level.....		28 h
Luminus flux		
Mode 1 High Level.....		350 lm
Mode 2 Med Level.....		150 lm
Mode 3 Low Level.....		25 lm
Colour rendering index (CRI).....		80
Colour temperature.....		4000 K
Battery voltage.....		4,5 V (3x1,5V)
Battery type.....		LR03 / AAA
Weight according EPTA-Procedure 01/2014.....		0,1 kg
Protection class.....		IP 52

**⚠ WARNING Read all safety warnings, instructions, illustrations and specifications provided with this power tool.**

Failure to follow all instructions listed below may result in electric shock, fire and/or serious injury.

Save all warnings and instructions for future reference.

**⚠ SAFETY INSTRUCTIONS BATTERY LAMP**

**Warning:** Do not direct the light beam at persons or animals and do not stare into the light beam yourself (not even from a distance). Staring into the light beam may result in serious injury or vision loss.

Don't use this tool in wet areas.

The light source of this luminaire is not replaceable; when the light source reaches its end of life the whole luminaire shall be replaced.

**⚠ SAFETY INSTRUCTIONS BATTERY**

This tool is designed to be powered by 3 LR03 / AAA batteries properly inserted into the instrument. Do not attempt to use with any other voltage or power supply.

Do not leave batteries within the reach of children.

Do not mix new and used batteries. Do not mix brands (or types within brands) of batteries.

Do not mix rechargeable and non-rechargeable batteries.

Install batteries according to polarity (+ / -) diagrams.

Properly dispose of used batteries immediately.

Battery acid may leak from damaged batteries under extreme load or extreme temperatures. In case of contact with battery acid wash it off immediately with soap and water. In case of eye contact rinse thoroughly for at least 10 minutes and immediately seek medical attention.

**Warning!** To reduce the risk of fire, personal injury, and product damage due to a short circuit, never immerse your tool, battery pack or charger in fluid or allow a fluid to flow inside them. Corrosive or conductive fluids, such as seawater, certain industrial chemicals, and bleach or bleach containing products, etc., can cause a short circuit.

**SPECIFIED CONDITIONS OF USE**

The headlight is intended to be used light independent use away from mains supply. The headlight is especially designed for head mounting.

Do not use this product in any other way as stated for normal use.

**LOW BATTERY INDICATION**

The light will flash three times when the battery voltage is low. In this case please change batteries.

**MAINTENANCE**

The light source of this luminaire is not replaceable; when the light source reaches its end of life the whole luminaire shall be replaced.











Use only Milwaukee accessories and spare parts. Should components need to be replaced which have not been

described, please contact one of our Milwaukee service agents (see our list of guarantee/service addresses).

If needed, an exploded view of the tool can be ordered.

Please state the machine type printed as well as the six-digit No. on the label and order the drawing at your local service agents or directly at: Techtronic Industries GmbH, Max-Eyth-Straße 10, 71364 Winnenden, Germany.

**SYMBOLS**

	CAUTION! WARNING! DANGER!
	Please read the instructions carefully before starting the machine.
	Do not stare at the operating light source.
	This tool is only suitable for indoor use. Never expose tool to rain.
	Class III electrical protection.
	Do not dispose electric tools, batteries/rechargeable batteries together with household waste material. Electric tools and batteries that have reached the end of their life must be collected separately and returned to an environmentally compatible recycling facility. Check with your local authority or retailer for recycling advice and collection point.
	European Conformity Mark
	British Conformity Mark
	Ukraine Conformity Mark
	EurAsian Conformity Mark



Copyright 2020  
Techtronic Industries GmbH  
Max-Eyth-Str. 10  
71364 Winnenden  
Germany  
+49 (0) 7195-12-0  
[www.milwaukeeetool.eu](http://www.milwaukeeetool.eu)

Techtronic Industries (UK) Ltd  
Fieldhouse Lane  
Marlow Bucks SL7 1HZ  
UK

 **EAC UK  
CA**  
(10.20)  
**4100 4701 98**