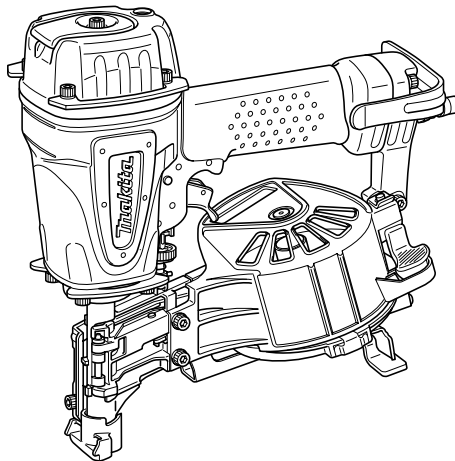
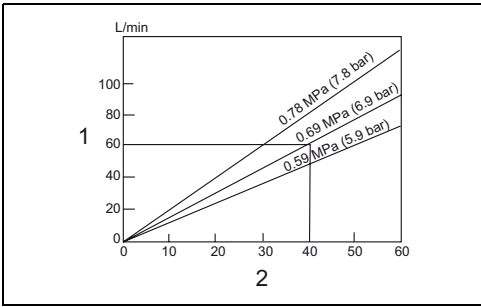


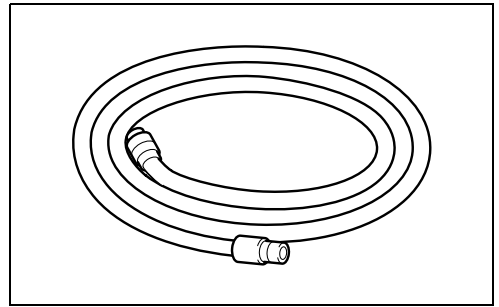
GB	Pneumatic Roofing Coil Nailer	Instruction manual
F	Cloueuse de charpente pneumatique à bandes	Manuel d'instructions
D	Pneumatischer Coilnagler für Innenausbau	Betriebsanleitung
I	Chiodatrice pneumatica a bobina per copertura tetti	Istruzioni per l'uso
NL	Pneumatisch nagelpistool voor dakdekkers	Gebruiksaanwijzing
E	Clavadora neumática de bobina para tejados	Manual de instrucciones
P	Pregador pneumático de bobina de pregos para tecto	Manual de instruções
DK	Trykluftsbaseret sømpistol til tagarbejde	Brugsanvisning
S	Trykluftdriven spikpistol	Bruksanvisning
N	Trykkluftdrevet båndspikerpistol for takteking	Bruksanvisning
FIN	Pneumaattisen kateainekelan naulain	Käyttöohje
GR	Καρφωτικό Εργαλείο Πεπιεσμένου Αέρα Για Σκεπή	Οδηγίες χρήσης

AN453

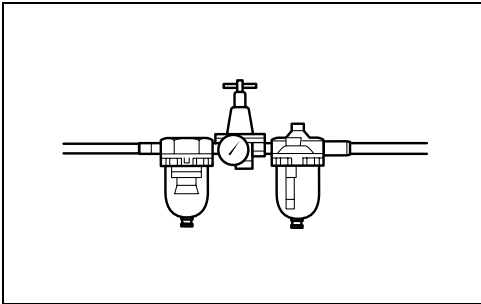




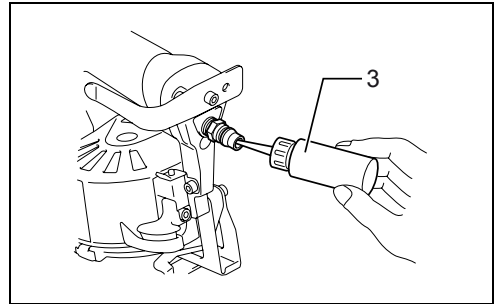
1



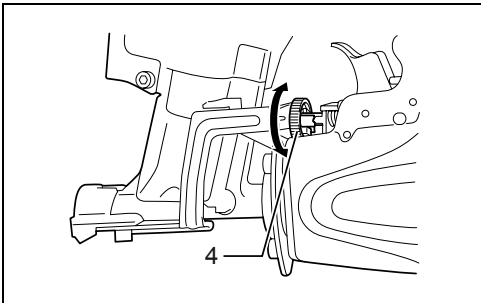
2



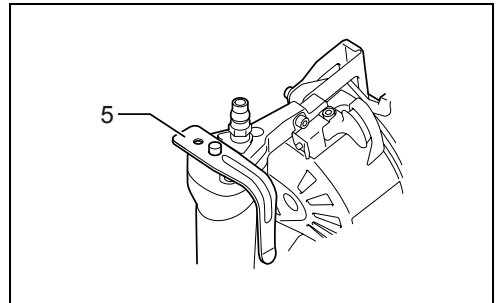
3



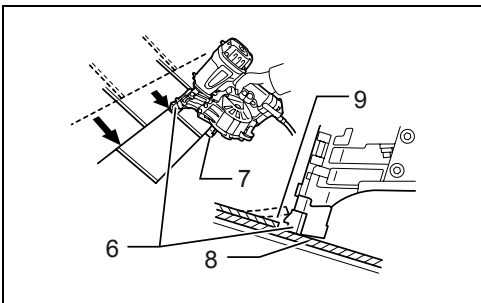
4



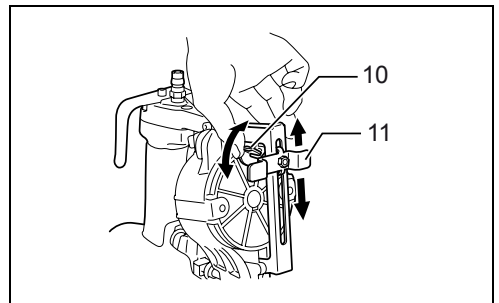
5



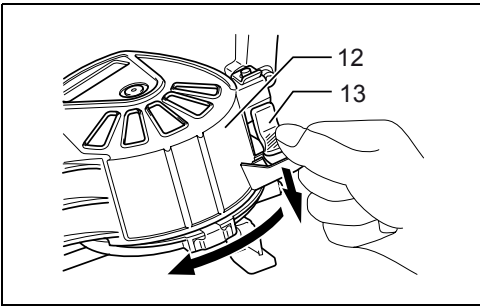
6



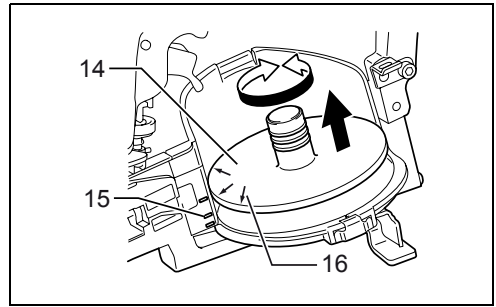
7



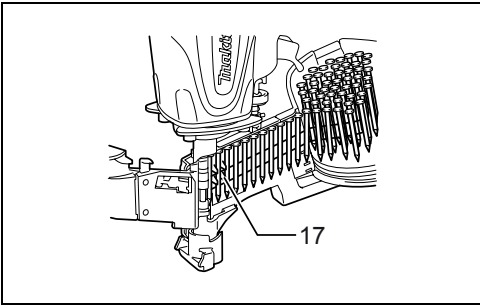
8



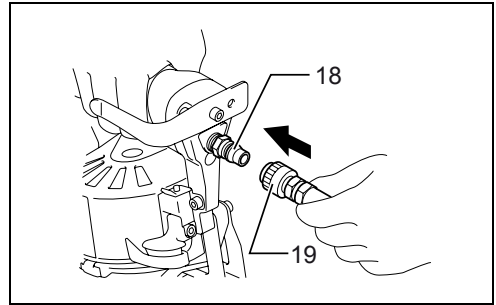
9



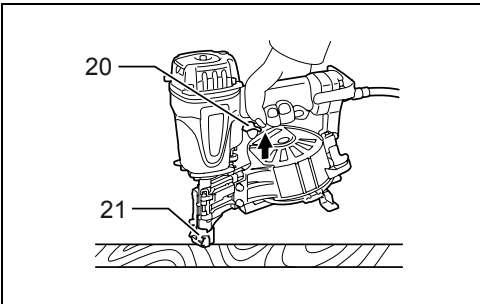
10



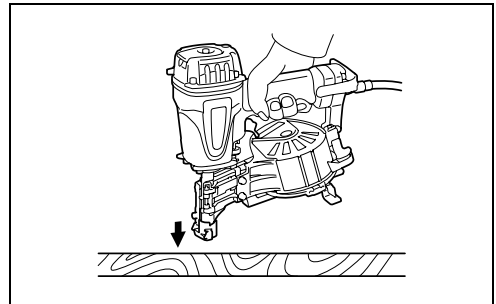
11



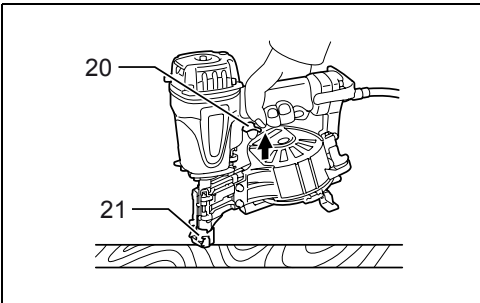
12



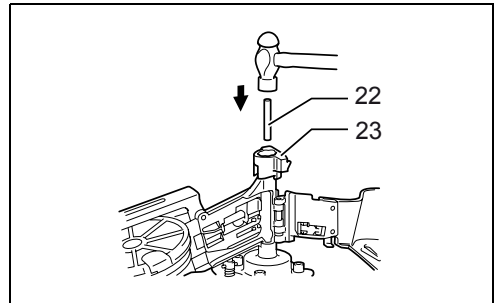
13



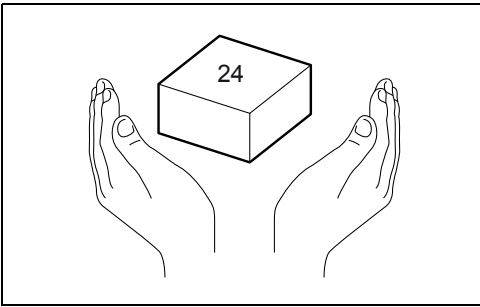
14



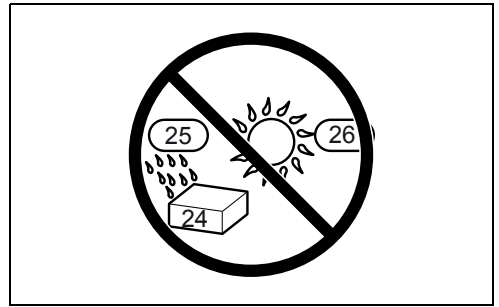
15



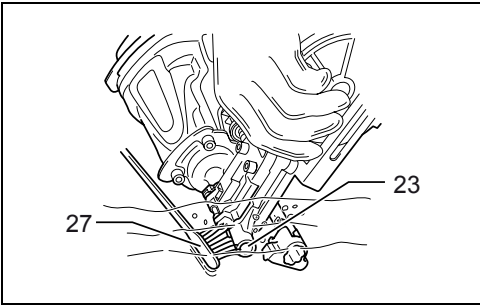
16



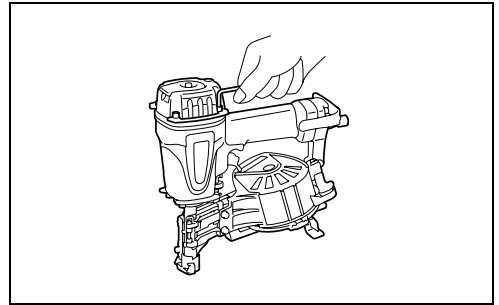
17



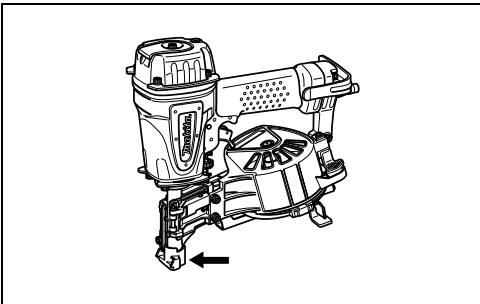
18



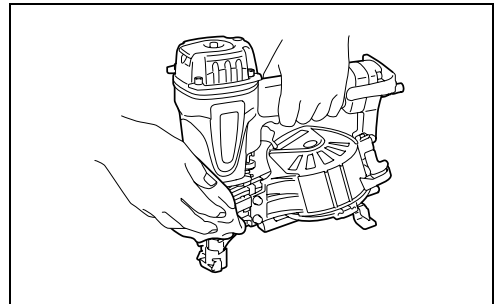
19



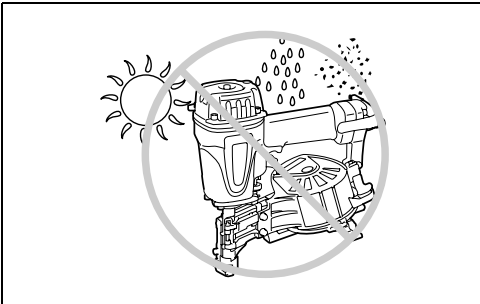
20



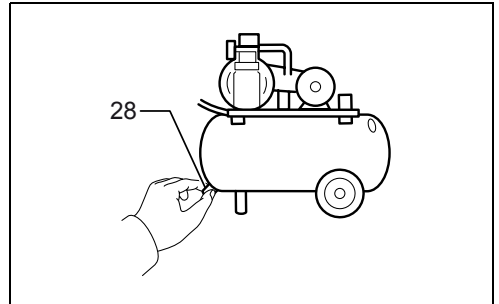
21



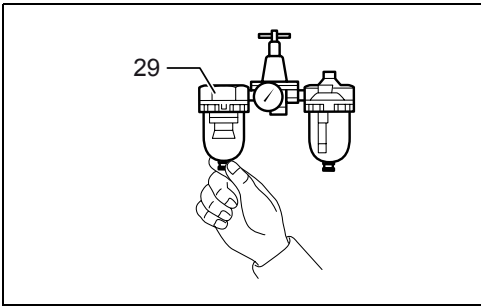
22



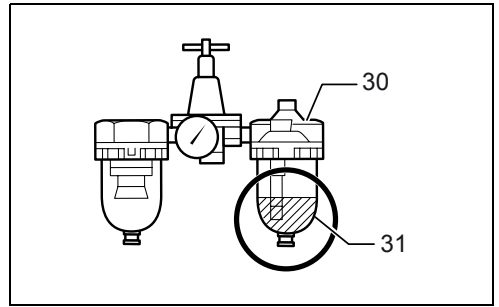
23



24



25



26



27

ENGLISH

Explanation of general view

- | | | |
|-------------------------------------|------------------------|-------------------|
| 1. Compressor air output per minute | 12. Magazine cap | 23. Ejection port |
| 2. Nailing frequency (times/min) | 13. Latch lever | 24. Nail |
| 3. Pneumatic tool oil | 14. Coil support plate | 25. Humid |
| 4. Adjuster | 15. Graduation | 26. Hot |
| 5. Hook | 16. Arrow | 27. Brush |
| 6. Contact element | 17. Feed Claw | 28. Drain cock |
| 7. Shingle guide | 18. Air fitting | 29. Air filter |
| 8. Shingle | 19. Air socket | 30. Oiler |
| 9. Projection | 20. Trigger | 31. Pneumatic oil |
| 10. Adjust plate | 21. Contact arm | 32. Thinner |
| 11. Lever | 22. Small rod | 33. Stove |

SPECIFICATIONS

Model	AN453
Air pressure	0.44 - 0.83 Mpa (4.4 - 8.3 bar)
Nail length	19 mm - 45 mm
Nail capacity	120 pcs.
Min. hose diameter	6.5 mm
Pneumatic tool oil	Turbine oil
Dimensions (L X H X W)	265 mm X 269 mm X 117 mm
Net weight	2.4 kg

- Due to our continuing program of research and development, the specifications herein are subject to change without notice.
- Note: Specifications may differ from country to country.

Symbols

END101-1

The following show the symbols used for the equipment. Be sure that you understand their meaning before use.



..... Read instruction manual.



..... Wear safety glasses.

Intended use

ENE059-1

The tool is intended for the preliminary interior work such as fixing floor joists or common rafters and framing work in 2 "x 4" housing.

IMPORTANT SAFETY INSTRUCTIONS

ENB090-2

WARNING: WHEN USING THIS TOOL, BASIC SAFETY PRECAUTIONS SHOULD ALWAYS BE FOLLOWED TO REDUCE THE RISK OF PERSONAL INJURY, INCLUDING THE FOLLOWING:

READ ALL INSTRUCTIONS.

- For personal safety and proper operation and maintenance of the tool, read this instruction manual before using the tool.
- Always wear safety glasses to protect your eyes from dust or nail injury.

WARNING:

It is an employer's responsibility to enforce the use of safety eye protection equipment by the tool operators and by other persons in the immediate working area.

- Wear hearing protection to protect your ears against exhaust noise and head protection. Also wear light but not loose clothing. Sleeves should be buttoned or rolled up. No necktie should be worn.
- Rushing the job or forcing the tool is dangerous. Handle the tool carefully. Do not operate when under the influence of alcohol, drugs or the like.
- General Tool Handling Guidelines:
 - (1) Always assume that the tool contains fasteners.
 - (2) Do not point the tool toward yourself or anyone whether it contains fasteners or not.
 - (3) Do not activate the tool unless the tool is placed firmly against the workpiece.
 - (4) Respect the tool as a working implement.
 - (5) No horseplay.
 - (6) Do not hold or carry the tool with a finger on the trigger.
 - (7) Do not load the tool with fasteners when any one of the operating controls is activated.
 - (8) Do not operate the tool with any power source other than that specified in the tool operating/safety instructions.
- An improperly functioning tool must not be used.
- Sparks sometimes fly when the tool is used. Do not use the tool near volatile, flammable materials such as gasoline, thinner, paint, gas, adhesives, etc.; they will ignite and explode, causing serious injury.

- The area should be sufficiently illuminated to assure safe operations. The area should be clear and litter-free. Be especially careful to maintain good footing and balance.
- Only those involved in the work should be in the vicinity. Children especially must be kept away at all times.
- There may be local regulations concerning noise which must be complied with by keeping noise levels within prescribed limits. In certain cases, shutters should be used to contain noise.
- Do not play with the contact element: it prevents accidental discharge, so it must be kept on and not removed. Securing the trigger in the ON position is also very dangerous. Never attempt to fasten the trigger. Do not operate a tool if any portion of the tool operating controls is inoperable, disconnected, altered, or not working properly.
- Operate the tool within the specified air pressure of 0.44 - 0.83 MPa (4.4 - 8.3 bar) for safety and longer tool life. Do not exceed the recommended max. operating pressure of 0.83 MPa (8.3 bar). The tool should not be connected to a source whose pressure potentially exceeds 1.37 MPa (13.7 bar).
- Make sure that the pressure supplied by the compressed air system does not exceed the maximum allowable pressure of the fastener driving tool. Set the air pressure initially to the lower value of the recommended allowable pressure (see SPECIFICATIONS).
- Never use the tool with other than compressed air. If bottled gas (carbon dioxide, oxygen, nitrogen, hydrogen, air, etc.) or combustible gas (hydrogen, propane, acetylene, etc.) is used as a power source for this tool, the tool will explode and cause serious injury.
- Always check the tool for its overall condition and loose screws before operation. Tighten as required.
- Make sure all safety systems are in working order before operation. The tool must not operate if only the trigger is pulled or if only the contact arm is pressed against the wood. It must work only when both actions are performed. Test for possible faulty operation with nails unloaded and the pusher in fully pulled position.
- Check walls, ceilings, floors, roofing and the like carefully to avoid possible electrical shock, gas leakage, explosions, etc. caused by striking live wires, conduits or gas pipes.
- Use only nails specified in this manual. The use of any other nails may cause malfunction of the tool.
- Never use fastener driving tools marked with the symbol "Do not use on scaffoldings, ladders" for specific application for example:
 - when changing one driving location to another involves the use of scaffoldings, stairs, ladders, or ladder alike constructions, e.g. roof laths;
 - closing boxes or crates;
 - fitting transportation safety systems e.g. on vehicles and wagons.
- Do not permit those uninstructed to use the tool.
- Make sure no one is nearby before nailing. Never attempt to nail from both the inside and outside at the same time. Nails may rip through and/or fly off, presenting a grave danger.
- Watch your footing and maintain your balance with the tool. Make sure there is no one below when working in high locations, and secure the air hose to prevent danger if there is sudden jerking or catching.
- On rooftops and other high locations, nail as you move forward. It is easy to lose your footing if you nail while inching backward. When nailing against perpendicular surface, nail from the top to the bottom. You can perform nailing operations with less fatigue by doing so.
- A nail will be bent or the tool can become jammed if you mistakenly nail on top of another nail or strike a knot in the wood. The nail may be thrown and hit someone, or the tool itself can react dangerously. Place the nails with care.
- Do not leave the loaded tool or the air compressor under pressure for a long time out in the sun. Be sure that dust, sand, chips and foreign matter will not enter the tool in the place where you leave it setting.
- Do not point the ejection port at anyone in the vicinity. Keep hands and feet away from the ejection port area.
- When the air hose is connected, do not carry the tool with your finger on the trigger or hand it to someone in this condition. Accidental firing can be extremely dangerous.
- Handle the tool carefully, as there is high pressure inside the tool that can be dangerous if a crack is caused by rough handling (dropping or striking). Do not attempt to carve or engrave on the tool.
- Stop nailing operations immediately if you notice something wrong or out of the ordinary with the tool.
- Always disconnect the air hose and remove all of the nails:
 - (9) When unattended.
 - (10) Before performing any maintenance or repair.
 - (11) Before cleaning a jam.
 - (12) Before moving the tool to a new location.
- Perform cleaning and maintenance right after finishing the job. Keep the tool in tip-top condition. Lubricate moving parts to prevent rusting and minimize friction-related wear. Wipe off all dust from the parts.
- Do not modify tool without authorization from Makita.
- Ask Makita's Authorized service centers for periodical inspection of the tool.
- To maintain product SAFETY and RELIABILITY, maintenance and repairs should be performed by Makita Authorized Service Centers, always using Makita replacement parts.
- Use only pneumatic tool oil specified in this manual.
- Never connect tool to compressed air line where the maximum allowable pressure of tool cannot be exceeded by 10%. Make sure that the pressure supplied by the compressed air system does not exceed the maximum allowable pressure of the fastener driving tool. Set the air pressure initially to the lower value of the recommended allowable pressure.
- Do not attempt to keep the trigger contact element depressed with tape or wire. Death or serious injury may occur.
- Always check contact element as instructed in this manual. Nails may be driven accidentally if the safety mechanism is not working correctly.

SAVE THESE INSTRUCTIONS.

INSTALLATION

Selecting compressor (Fig. 1)

The air compressor must comply with the requirements of EN60335-2-34.

Select a compressor that has ample pressure and air output to assure cost-efficient operation. The graph shows the relation between nailing frequency, applicable pressure and compressor air output.

Thus, for example, if nailing takes place at a rate of approximately 40 times per minute at a compression of 0.69 MPa (6.9 bar), a compressor with an air output over 60 L/min is required.

Pressure regulators must be used to limit air pressure to the rated pressure of the tool where air supply pressure exceeds the tool's rated pressure. Failure to do so may result in serious injury to tool operator or persons in the vicinity.

Selecting air hose (Fig. 2)

Use an air hose as large and as short as possible to assure continuous, efficient nailing operation. With an air pressure of 0.49 MPa (4.9 bar), an air hose with an internal diameter of over 6.5 mm (1/4") and a length of less than 20 m is recommended when the interval between each nailing is 0.5 seconds. Air supply hoses shall have a minimum working pressure rating of 1.03 MPa (10.3 bar) or 150 percent of the maximum pressure produced in the system whichever is higher.

CAUTION:

- Low air output of the compressor, or a long or smaller diameter air hose in relation to the nailing frequency may cause a decrease in the driving capability of the tool.

Lubrication (Fig. 3)

To insure maximum performance, install an air set (oiler, regulator, air filter) as close as possible to the tool. Adjust the oiler so that one drop of oil will be provided for every 30 nails.

When an air set is not used, oil the tool with pneumatic tool oil by placing 2 (two) or 3 (three) drops into the air fitting. This should be done before and after use. For proper lubrication, the tool must be fired a couple of times after pneumatic tool oil is introduced. (Fig. 4)

FUNCTIONAL DESCRIPTION

CAUTION:

- Always disconnect the air hose before adjusting or checking function on the tool.

Adjusting depth of nailing (Fig. 5)

To adjust the depth of nailing, turn the adjuster. The depth of nailing is the deepest when the adjuster is turned fully in the A direction shown in the figure. It will become shallower as the adjuster is turned in the B direction. If nails cannot be driven deep enough even when the adjuster is turned fully in the A direction, increase the air pressure. If nails are driven too deep even when the adjuster is turned fully in the B direction, decrease the air pressure. Generally speaking, the tool service life will be longer when the tool is used with lower air pressure and the adjuster set to a lower depth of nail driving.

CAUTION:

- Always disconnect the hose before adjusting the depth of nailing.

Hook (Fig. 6)

CAUTION:

- Always disconnect the hose from the tool.
- Never hook the tool at high location or on potentially unstable surface.

The hook is convenient for hanging the tool temporarily.

Adjusting the shingle guide (Fig. 7 & 8)

The shingle guide is designed for consistent shingle exposure. Place shingle in desired position.

Turn the lever clockwise to release the adjusting plate. Reset the tool on the exposed shingle with the projections of the contact element depressing the bottom of the previous row of the shingle. Slide the adjusting plate up against the bottom of the exposed shingle and turn the lever counterclockwise to lock the adjusting plate.

ASSEMBLY

CAUTION:

- Always disconnect the air hose before carrying out any work on the tool.

Loading nailer (Fig. 9)

Select nails suitable for your work. Depress the latch lever and open the magazine cap.

Lift and turn the coil support plate so that the arrow with nail size indicated on the coil support plate will point to the corresponding graduation increment marked on the magazine. If the tool is operated with the coil support plate set to the wrong step, poor nail feed or malfunction of the tool may result. (Fig. 10)

Place the nail coil over the coil support plate. Uncoil enough nails to reach the feed claw. Place the first nail in the driver channel and the second nail in the feed claw. Place other uncoiled nails on feeder body. Close the magazine cap after checking to see that the nail coil is set properly in the magazine. (Fig. 11)

Connecting air hose (Fig. 12)

Slip the air socket of the air hose onto the air fitting on the nailer. Be sure that the air socket locks firmly into position when installed onto the air fitting. A hose coupling must be installed on or near the tool in such a way that the pressure reservoir will discharge at the time the air supply coupling is disconnected.

OPERATION

CAUTION:

- Make sure all safety systems are in working order before operation.
1. To drive a nail, you may place the contact element against the workpiece and pull the trigger, or (Fig. 13 & 14)
 2. Pull the trigger first and then place the contact element against the workpiece.
- No. 1 method is for intermittent nailing, when you wish to drive a nail carefully and very accurately. No. 2 method is for continuous nailing.

CAUTION:

- Operating the tool without nails shortens the life of the tool and should be avoided.

For sequential trip trigger (accessory)

To drive a nail, you may place the contact element against the workpiece and pull the trigger. (Fig. 15)

CAUTION:

- WITH THE TRIGGER HELD IN A HALF-PULLED POSITION, an unexpected nailing could occur, if contact element is allowed to re-contact against the workpiece or the other surface under the influence of recoil. In order to avoid this unexpected nailing, perform as follows;
 - A. Do not place the contact element against the workpiece with excessive force.
 - B. Pull the trigger fully and hold it on for 1-2 seconds after nailing.

Jammed nailer (Fig. 16)**CAUTION:**

- Always disconnect the air hose and remove the nails from the magazine before cleaning a jam.

When the nailer becomes jammed, do as follows:

Open the magazine cap and remove the nail coil. Insert a small rod or the like into the ejection port and tap it with a hammer to drive out the nail jamming from the ejection port. Reset the nail coil and close the magazine cap.

Nails (Fig. 17)

Handle nail coils and their box carefully. If the nail coils have been handled roughly, they may be out of shape or their connector breaks, causing poor nail feed.

Avoid storing nails in a very humid or hot place or place exposed to direct sunlight. (Fig. 18)

MAINTENANCE**CAUTION:**

- Always disconnect the air hose from the tool before attempting to perform inspection or maintenance.

Cleaning and removal of tar and dirt

Adhesion of tar and dirt to areas around the contact element will prevent smooth movement of the contact element (safety mechanism), causing accidental discharge. Periodically clean the areas around the contact element.

Use a solvent such as kerosene, #2 fuel oil or diesel fuel. Immerse only the contact element and the areas around the ejection port in solvent and remove tar and dirt with brush. Always wear waterproof gloves to protect your hands. Never immerse the housing, magazine, etc. in solvent. Malfunction of the tool may result. Always dispose of the solvent used in a safe and prudent manner and in compliance with all local and national code requirement. (Fig. 19)

Dry off the tool before use. Any oil film left after cleanup will accelerate the tar buildup, and the tool will require more frequent recleaning. After drying off the tool, oil the moving parts to prevent rusting and to assure good lubrication and operation of moving parts.

WARNING:

- Never use gasoline or other similar highly volatile liquids for cleaning. Vapors of such liquids may enter the tool and could be ignited by sparks produced during nailing and cause an explosion.

Maintenance of nailer

Always check the tool for its overall condition and loose screws before operation. Tighten as required. (Fig. 20) With tool disconnected, make daily inspection to assure free movement of the contact element and trigger. Do not use tool if the contact element or trigger sticks or binds. (Fig. 21)

When the tool is not to be used for an extended period of time, lubricate the tool using pneumatic tool oil and store the tool in a safe place. Avoid exposure to direct sunlight and/or humid or hot environment. (Fig. 22 & 23)

Maintenance of compressor, air set and air hose (Fig. 24 & 25)

After operation, always drain the compressor tank and the air filter. If moisture is allowed to enter the tool, it may result in poor performance and possible tool failure.

Check regularly to see if there is sufficient pneumatic oil in the oiler of the air set. Failure to maintain sufficient lubrication will cause O-rings to wear quickly. (Fig. 26)

Keep the air hose away from heat (over 60°C, over 140°F), away from chemicals (thinner, strong acids or alkalis). Also, route the hose away from obstacles which it may become dangerously caught on during operation.

Hoses must also be directed away from sharp edges and areas which may lead to damage or abrasion to the hose. (Fig. 27)

To maintain product SAFETY and RELIABILITY, repairs, any other maintenance or adjustment should be performed by Makita Authorized Service Centers, always using Makita replacement parts.

ACCESSORIES**CAUTION:**

- These accessories or attachments are recommended for use with your Makita tool specified in this manual. The use of any other accessories or attachments might present a risk of injury to persons. Only use accessory or attachment for its stated purpose.

If you need any assistance for more details regarding these accessories, ask your local Makita Service Center.

- Nails
- Air hoses
- Safety goggles

EC-DECLARATION OF CONFORMITY

ENH013-5

We declare under our sole responsibility that this product is in compliance with the following standards of standardized documents;
EN792 in accordance with Council Directives, 98/37/EC.

CE 2007



Tomoyasu Kato
Director

Responsible Manufacturer:

Makita Corporation

3-11-8, Sumiyoshi-cho, Anjo, Aichi, JAPAN

Authorized Representative in Europe:

Makita International Europe Ltd.

Michigan Drive, Tongwell, Milton Keynes, Bucks MK15
8JD, ENGLAND

Descriptif

- | | | |
|---|----------------------------------|----------------------------------|
| 1. Sortie d'air du compresseur par minute | 11. Levier | 23. Port d'éjection |
| 2. Fréquence de clouage (clous/min) | 12. Bouchon du magasin | 24. Clou |
| 3. Huile pour outil pneumatique | 13. Levier de fermeture | 25. Humide |
| 4. Bague de réglage | 14. Plaque de soutien des bandes | 26. Très chaud |
| 5. Crochet | 15. Graduation | 27. Brosse |
| 6. Dispositif de contact | 16. Flèche | 28. Robinet de vidange |
| 7. Guide du bardeau | 17. griffe d'alimentation | 29. Filtre à air |
| 8. Bardeau | 18. Raccord à air | 30. Huileur |
| 9. Projection | 19. Prise d'air | 31. Huile pour outil pneumatique |
| 10. Plaque de réglage | 20. Gâchette | 32. Diluant |
| | 21. Bras de contact | 33. Cuisinière |
| | 22. Petite tige | |

SPÉCIFICATIONS

Modèle	AN453
Pression d'air	0,44 à 0,83 Mpa (4,4 à 8,3 bar)
Longueur de clou	19 mm à 45 mm
Capacité de clouage	120 clous
Diamètre min. du tuyau	6,5 mm
Huile pour outil pneumatique	Huile de turbine
Dimensions (L x H x P)	265 mm x 269 mm x 117 mm
Poids net	2,4 kg

- Étant donné l'évolution constante de notre programme de recherche et de développement, les spécifications contenues dans ce manuel sont sujettes à modification sans préavis.
- Remarque : Les spécifications peuvent varier d'un pays à l'autre.

Symboles

END101-1

Les symboles utilisés pour l'outil sont indiqués ci-dessous. Assurez-vous d'avoir bien compris leur signification avant d'utiliser l'outil.



..... Reportez-vous au manuel d'instructions.



..... Portez des lunettes de sécurité.

Utilisations

ENE059-1

L'outil est pour une utilisation de travail en intérieur préliminaire tel que la fixation des solives de plancher ou de chevrons communs et du travail de charpente d'habitations en 2 "x 4" .

CONSIGNES DE SÉCURITÉ IMPORTANTES

ENB090-2

AVERTISSEMENT : Lors de l'utilisation de cet outil, vous devez toujours prendre des précautions élémentaires en matière de sécurité pour réduire les risques de blessure. Ces précautions comprennent les suivantes :

LISEZ TOUTES LES INSTRUCTIONS.

- Pour votre propre sécurité et pour assurer le bon fonctionnement et la maintenance de l'outil, veuillez lire ce manuel d'instructions avant d'utiliser l'outil.
- Portez toujours des lunettes de sécurité pour protéger vos yeux du contact de la poussière ou d'un clou.

- AVERTISSEMENT :**
L'employeur a la responsabilité d'imposer le port d'un dispositif de protection des yeux aux utilisateurs de l'outil et à toute personne présente dans la zone de travail.
- Portez une protection d'oreilles pour protéger ces dernières contre le bruit de l'échappement et portez un casque de sécurité. Les vêtements portés doivent être légers et ne doivent pas être amples. Veuillez boutonner ou rouler vos manches. Ne portez pas de cravate.
 - Il est dangereux de travailler trop vite ou d'appliquer une charge de travail excessive à l'outil. Manipulez l'outil avec soin. N'utilisez pas l'outil si vous avez consommé de l'alcool, une drogue ou des médicaments, etc.
 - Conseils généraux pour l'utilisation des outils :
 - (1) Gardez toujours à l'esprit que l'outil contient des clous.
 - (2) L'outil ne doit jamais être pointé vers vous-même ou vers une autre personne, qu'il contienne ou non des clous.
 - (3) Ne mettez pas l'outil en marche avant qu'il ne soit fermement placé sur la pièce à travailler.
 - (4) Respectez votre outil en tant qu'instrument de travail.
 - (5) Évitez tout chahut.
 - (6) L'outil ne doit jamais être saisi ou transporté en posant un doigt sur la gâchette.

- (7) Ne mettez jamais de clous dans l'outil alors que l'une de ses commandes est activée.
 - (8) Ne branchez jamais l'outil sur une source d'alimentation autre que celle spécifiée dans les instructions d'utilisation/sécurité qui l'accompagnent.
- Tout outil défectueux ne doit pas être utilisé.
 - Des étincelles s'échappent parfois de l'outil pendant son utilisation. N'utilisez pas l'outil près de substances ou matériaux volatiles ou inflammables tels que l'essence, le diluant, la peinture, le gaz, les adhésifs, etc. Ils risqueraient de prendre feu, d'exploser et de causer une blessure grave.
 - L'aire de travail doit être suffisamment éclairée pour assurer la sécurité du travail. L'aire de travail doit être maintenue propre et exempte de déchets. Veillez particulièrement à maintenir une bonne assise et une bonne position d'équilibre.
 - Seules les personnes qui participent au travail doivent pénétrer dans la zone de travail. Les enfants, tout particulièrement, doivent être maintenus à l'écart en tout temps.
 - Il se peut que des réglementations locales s'appliquent concernant les niveaux de bruit permis. Veuillez les respecter. Le cas échéant, des volets doivent être installés pour réduire le bruit.
 - Ne jouez pas avec le dispositif de contact : il prévient des décharges accidentelles, donc il doit être gardé activé et ne pas être désactivé. Il est également très dangereux de fixer la gâchette en position de marche. Il ne faut jamais essayer d'immobiliser la gâchette. N'utilisez jamais un outil dont une des commandes est inutilisable, déconnectée, modifiée ou ne fonctionne pas correctement.
 - Utilisez l'outil avec la pression d'air spécifiée de 0,44 à 0,83 MPa (4,4 à 8,3 bar) par mesure de sécurité et pour prolonger la durée de service de l'outil. Ne dépassez pas la pression max. de fonctionnement recommandée, 0,83 MPa (8,3 bar). L'outil ne doit pas être raccordé à une source dont la pression peut dépasser 1,37 MPa (13,7 bar).
 - Assurez-vous que la pression fournie par le système d'air comprimé ne dépasse pas la pression permise maximale de la cloueuse. Réglez d'abord la pression d'air sur la plus basse valeur de pression permise recommandée (voir SPÉCIFICATIONS).
 - Cet outil doit être exclusivement utilisé avec de l'air comprimé. L'utilisation d'une bouteille de gaz (dioxyde de carbone, oxygène, nitrogène, hydrogène, air, etc.) ou de gaz combustible (hydrogène, propane, acétylène, etc.) comme source de pression de cet outil entraînera une explosion et risque de causer une blessure grave.
 - Avant d'utiliser l'outil, assurez-vous qu'il est en bon état et qu'aucune de ses vis n'est desserrée. Le cas échéant, serrez les vis.
 - Assurez-vous que tous les dispositifs de sécurité sont en état de fonctionner avant d'utiliser l'outil. Il ne faut pas que l'outil s'active lorsque vous appuyez uniquement sur la gâchette ou appuyez simplement l'élément de contact contre le bois. Il ne doit s'activer que lorsque ces deux actions sont exécutées. Testez pour un fonctionnement défectueux possible avec des clous non chargés et le poussoir en position pleinement tiré.
 - Pour éviter tout risque de choc électrique, de fuite de gaz, d'explosion, etc., provoqué par le contact avec des fils dénudés, des conduites ou des tuyaux de gaz, vérifiez le mur ou le plafond, le plancher, le toit, etc.
 - N'utilisez que les clous spécifiés dans ce manuel. L'outil risque de mal fonctionner si vous utilisez tout autre type de clou.
 - N'utilisez jamais les cloueuses qui portent le symbole "Ne pas utiliser sur des échafaudages ou échelles" pour des travaux spécifiques, comme par exemple :
 - lorsque changer de position de clouage implique l'utilisation d'un échafaudage, d'un escalier ou d'une échelle, par ex. pour clouer des lattes de toit ;
 - fermer des boîtes ou des caisses ;
 - installer des dispositifs de sécurité pour le transport, comme par exemple sur des véhicules ou des wagons.
 - Seules les personnes ayant pris connaissance du fonctionnement de l'outil doivent être autorisées à l'utiliser.
 - Avant de procéder au clouage, assurez-vous que personne ne se trouve près de vous. N'essayez jamais de clouer une pièce en même temps des côtés intérieur et extérieur. Cela est très dangereux, puisque les clous risquent alors de défoncer la pièce et/ou d'être projetés.
 - Regardez où vous posez les pieds et assurez-vous d'un bon équilibre pendant l'utilisation de l'outil. Assurez-vous qu'il n'y a personne au-dessous de vous lorsque vous travaillez dans un endroit élevé, et fixez le tuyau d'air de sorte qu'il ne risque pas de se détacher s'il est secoué ou s'il se coince.
 - Sur les toits et autres endroits élevés, clouez en vous déplaçant vers l'avant. Vous risquez fortement de perdre pied si vous clouez en vous déplaçant à reculons. Lorsque vous clouez sur une surface verticale, faites-le du haut vers le bas. De cette façon le travail de clouage sera moins exigeant physiquement.
 - Le clou risque de se plier ou l'outil de se bloquer si vous clouez par inadvertance dans un nœud ou sur un autre clou. Le clou risque alors d'être projeté et de frapper quelqu'un, ou bien l'outil lui-même risque de réagir de manière dangereuse. Choisissez l'emplacement des clous avec soin.
 - N'abandonnez pas pour une période prolongée un outil chargé ou un compresseur d'air sous pression exposé au soleil à l'extérieur. Assurez-vous de toujours déposer l'outil là où la poussière, le sable, les copeaux et corps étrangers ne risquent pas d'y pénétrer.
 - Ne pointez jamais la sortie d'éjection vers une personne se trouvant à proximité. Gardez les mains et les pieds à l'écart de la zone de la sortie d'éjection.
 - Pour transporter l'outil ou le donner à quelqu'un alors que le tuyau d'air est raccordé, ne posez pas le doigt sur la gâchette. Le déclenchement accidentel de l'outil peut être extrêmement dangereux.
 - Manipulez l'outil prudemment, car la pression élevée à l'intérieur de l'outil représente un danger si une fissure est provoquée par une manipulation brusque (si vous échappez ou heurtez l'outil). Ne tentez jamais de tailler ou graver une inscription sur l'outil.

- Cessez immédiatement le clouage si vous notez une anomalie ou un fonctionnement inhabituel de l'outil.
- Déconnectez toujours le tuyau d'air et retirez tous les clous dans les cas suivants :
 - (9) Lorsque l'outil est laissé sans surveillance.
 - (10) Avant d'effectuer tout travail de maintenance ou de réparation sur l'outil.
 - (11) Avant de réparer un blocage.
 - (12) Avant de déplacer l'outil vers un autre lieu.
- Procédez au nettoyage et à la maintenance de l'outil une fois le travail terminé. Maintenez l'outil en excellente condition. Lubrifiez les pièces mobiles pour éviter qu'elles ne rouillent et pour limiter l'usure entraînée par la friction. Retirez toute poussière déposée sur les pièces.
- Ne modifiez pas l'outil sans l'autorisation de Makita.
- Confiez régulièrement l'outil à un centre de service après-vente agréé Makita pour le faire inspecter.
- Pour maintenir la SÉCURITÉ et la FIABILITÉ de l'outil, sa maintenance et sa réparation doivent être effectuées dans un centre de service après-vente agréé Makita, exclusivement avec des pièces de rechange Makita.
- Utilisez exclusivement l'huile pour outil pneumatique spécifiée dans ce manuel.
- Ne connectez jamais l'outil à une ligne d'air comprimé sur laquelle la pression permise maximale de l'outil ne peut pas être dépassée de 10 %. Assurez-vous que la pression fournie par le système d'air comprimé ne dépasse pas la pression permise maximale de la cloueuse. Réglez d'abord la pression d'air sur la plus basse valeur de pression permise recommandée.
- N'essayez pas de garder le dispositif de contact de la gâchette enfoncé à l'aide de ruban ou de fil. Il y a risque de décès ou de blessure grave.
- Vérifiez toujours le dispositif de contact en suivant les instructions du présent manuel. Des clous risquent d'être éjectés accidentellement si le mécanisme de sécurité ne fonctionne pas correctement.

CONSERVEZ CES INSTRUCTIONS.

INSTALLATION

Sélection du compresseur (Fig. 1)

Le compresseur à air doit se conformer aux normes EN60335-2-34.

Sélectionnez un compresseur dont la pression et la sortie d'air sont suffisantes pour assurer un bon rapport coût-rendement lors de l'utilisation. Le graphique montre la relation entre la fréquence de clouage, la pression applicable et la sortie d'air du compresseur.

Ainsi, par exemple, si le clouage a lieu à un taux d'environ 40 fois par minute à une compression de 0,69 MPa (6,9 bar), un compresseur avec une sortie d'air de plus de 60 L/min est requis.

Des régulateurs de pression doivent être utilisés pour limiter la pression d'air à la pression nominale de l'outil quand l'alimentation de la pression d'air excède la pression nominale de l'outil. Autrement il y a risque de blessure pour l'utilisateur ou les personnes se trouvant à proximité.

Sélection du tuyau d'air (Fig. 2)

Utilisez un tuyau d'air aussi gros et court que possible pour assurer un clouage continu et efficace. Avec une pression d'air de 0,49 MPa (4,9 bar), un tuyau d'air de diamètre intérieur de plus de 6,5 mm (1/4") et une longueur de moins de 20 m est recommandé quand l'intervalle entre chaque clouage est de 0,5 seconde. Les tuyaux d'alimentation en air doivent avoir une pression minimale de travail de 1,03 MPa (10,3 bar) ou de 150 % la pression maximale produite par le système, la plus élevée de ces valeurs étant adoptée.

ATTENTION :

- La capacité d'entraînement de l'outil risque de diminuer si la sortie d'air du compresseur est faible ou si le diamètre du tuyau d'air est trop grand ou trop petit par rapport à la fréquence de clouage de l'outil.

Lubrification (Fig. 3)

Pour assurer un rendement optimal, installez un dispositif d'air (huileur, régulateur, filtre à air) le plus près possible de l'outil. Réglez le huileur de sorte qu'une goutte d'huile soit fournie tous les 30 clous.

Lorsqu'un dispositif d'air n'est pas utilisé, huilez l'outil avec de l'huile pour outil pneumatique en versant 2 (deux) ou 3 (trois) gouttes dans le raccord à air. Cela doit être fait avant et après l'utilisation. Pour une lubrification adéquate, il faut activer l'outil à quelques reprises après y avoir versé de l'huile à outil pneumatique. (Fig. 4)

DESCRIPTION DU FONCTIONNEMENT

ATTENTION :

- Déconnectez toujours le tuyau avant de régler ou de vérifier le fonctionnement de l'outil.

Réglage de la profondeur de clouage (Fig. 5)

Pour régler la profondeur de clouage, tournez la bague de réglage. La profondeur de réglage est maximale lorsque la bague de réglage est tournée complètement dans le sens A indiqué sur la figure. Elle diminue à mesure que l'on tourne la bague de réglage dans le sens B. S'il n'est pas possible de planter les clous assez profondément lorsque la bague de réglage est complètement tournée dans le sens A, augmentez la pression d'air. Si les clous sont plantés trop profondément même lorsque la bague de réglage est complètement tournée dans le sens B, réduisez la pression d'air. En général, la durée de service de l'outil sera plus longue si l'outil est utilisé avec une pression d'air plus basse et si la bague de réglage est placée sur une profondeur de clouage plus faible.

ATTENTION :

- Déconnectez toujours le tuyau avant de régler la profondeur de clouage.

Crochet (Fig. 6)

ATTENTION :

- Déconnectez toujours le tuyau de l'outil.
- Ne suspendez jamais l'outil dans un endroit élevé ou sur une surface qui risque d'être instable.

L'outil est équipé d'un crochet pratique qui permet de le suspendre temporairement.

Réglage du couple de serrage (Fig. 7 et 8)

Le guide de bardeau est conçu pour une exposition au bardeau consistante. Positionnez le bardeau dans la position désirée.

Tournez le levier dans le sens des aiguilles d'une montre pour libérer la plaque de réglage.

Réinitialiser l'outil sur le shingle exposé avec les projections du dispositif de contact en pressant le bas de la rangée précédente du shingle. Coulissez la plaque de réglage en haut contre le bas du shingle exposé et tournez le levier dans le sens contraire des aiguilles d'une montre pour verrouiller la plaque de réglage.

ASSEMBLAGE

ATTENTION :

- Déconnectez toujours le tuyau avant d'effectuer tout travail sur l'outil.

Chargement de la cloueuse (Fig. 9)

Sélectionnez les clous qui conviennent au type de travail. Appuyez sur le levier de fermeture et ouvrez le capuchon du magasin.

Levez et tournez la plaque de soutien des bandes de sorte que la flèche avec la taille du clou indiquée sur la plaque de soutien de la bobine pointera vers l'incrément de graduation correspondant marqué sur le magasin. Si l'outil est utilisé avec la plaque de soutien des bandes établi sur le mauvais pas, une pauvre alimentation en clous ou un mauvais fonctionnement de l'outil pourrait en résulter. (Fig. 10)

Positionnez la bobine de clous au-dessus de la plaque de soutien des bandes. Dévidez assez de clous pour atteindre la griffe d'alimentation. Positionnez le premier clou dans le canal du poussoir et le deuxième clou dans la griffe d'alimentation.

Positionnez d'autres clous non en bandes sur le corps de l'alimentateur. Fermez le capuchon du magasin après avoir vérifié que la bande à clous est bien établie dans le magasin. (Fig. 11)

Branchement du tuyau d'air (Fig. 12)

Glissez la prise d'air du tuyau d'air sur le raccord d'air sur la cloueuse. Assurez-vous que la prise d'air se verrouille fermement en position quand elle est installée sur le raccord d'air. Un raccord de tuyau doit être installé sur ou près de l'outil d'une telle manière que le réservoir de pression se décharge au moment où le raccord de l'alimentation d'air est débranché.

UTILISATION

ATTENTION :

- Assurez-vous que tous les dispositifs de sécurité sont en état de fonctionner avant d'utiliser l'outil.
1. Pour planter un clou, vous pouvez placer l'élément de contact contre la pièce et appuyer sur la gâchette or (Fig. 13 et 14)
 2. D'abord tirez la gâchette et ensuite positionnez l'élément de contact contre la pièce de travail

- La méthode No. 1 est pour un clouage intermittent, quand vous souhaitez enfoncer un clou avec soin et de manière très précise. La méthode No. 2 est pour un clouage en continu.

ATTENTION :

- Faire fonctionner l'outil sans clous raccourcit sa durée de vie et doit être évité.

Pour un appui séquentiel (accessoire)

Pour planter un clou, vous pouvez placer l'élément de contact contre la pièce et appuyer sur la gâchette. (Fig. 15)

ATTENTION :

- AVEC LA GÂCHETTE MAINTENUE À MI-COURSE, un clouage inattendu risque de se produire si le dispositif de contact touche à nouveau la pièce ou toute autre surface sous l'effet du recul. Pour éviter ce clouage inattendu, procédez comme suit ;
- A. N'appliquez pas une force excessive lorsque vous placez le dispositif de contact contre la pièce.
 - B. Appuyez à fond sur la gâchette et maintenez-la enfoncée pendant 1 à 2 secondes après le clouage.

Clou bloqué (Fig. 16)

ATTENTION :

- Débranchez toujours le tuyau d'air et enlevez les clous du magasin avant de supprimer un clouage
- Quand un clou devient bloqué faites comme suit :
- Ouvrez le capuchon du magasin et enlevez la bobine à clous. Insérez une petite tige ou autre similaire dans le port d'éjection et tapez la avec un marteau pour sortir le clou bloqué du port d'éjection. Réinitialiser la bande de clous et fermez le capuchon du magasin.

Clous (Fig. 17)

Manipulez les bandes de clous et leur boîte avec soin. Si les bandes de clous sont manipulées brusquement elles risquent de se déformer ou de se détacher, causant une alimentation en clous médiocre. Évitez de ranger les clous dans un endroit très humide, très chaud ou exposé directement aux rayons du soleil. (Fig. 18)

MAINTENANCE

ATTENTION :

- Déconnectez toujours le tuyau d'air de l'outil avant d'effectuer l'inspection ou la maintenance.

Nettoyage et enlèvement du et de la saleté

L'adhérence de goudron et de saleté dans les zones autour du dispositif de contact empêchera des mouvements sans à-coups du dispositif de contact (mécanisme de sécurité), entraînant des décharges accidentelles. Nettoyez périodiquement les zones autour du dispositif de contact.

Utilisez un solvant tel que le kérosène, de l'huile lourde #2 ou du carburant diesel.

N'immergez que le dispositif de contact et les zones autour du port d'éjection dans le solvant et enlevez le goudron et la saleté avec une brosse. Portez toujours des gants étanches à l'eau pour protéger vos mains. Ne

jamais immerger le logement, magasin, etc. dans le solvant. Un mauvais fonctionnement de l'outil peut en résulter. Toujours mettre au rebut le solvant utilisé de manière sûre et prudente et ce en conformité avec les règlements des codes locaux et nationaux. **(Fig. 19)** Séchez l'outil avant toute utilisation. Tout film d'huile laissé après le nettoyage accélérera l'accumulation du goudron, et l'outil aura besoin à nouveau d'un nettoyage plus fréquent. Après le séchage de l'outil, huilez les pièces qui se déplacent afin de prévenir toute rouille et d'assurer une bonne lubrification et un bon fonctionnement de ces pièces.

AVERTISSEMENT :

- N'utilisez jamais d'essence ou d'autres liquides similaires hautement volatiles pour le nettoyage. Les vapeurs de ces liquides peuvent pénétrer dans l'outil et pourraient s'enflammer au contact d'étincelles produites durant le clouage et causer une explosion.

Maintenance de la cloueuse

Avant d'utiliser l'outil, assurez-vous qu'il est en bon état et qu'aucune de ses vis n'est desserrée. Le cas échéant, serrez les vis. **(Fig. 20)**

Avec l'outil déconnecté, effectuez une inspection quotidienne pour vous assurer que le dispositif de contact et la gâchette se déplacent librement. N'utilisez pas l'outil si le dispositif de contact ou la gâchette se bloque ou se coince. **(Fig. 21)**

Si l'outil doit demeurer inutilisé pour une période prolongée, lubrifiez-le avec de l'huile pour outil pneumatique et rangez-le dans un endroit sûr. Évitez de l'exposer directement aux rayons du soleil et/ou à un environnement humide ou chaud. **(Fig. 22 et 23)**

Maintenance du compresseur, du dispositif d'air et du tuyau d'air (Fig. 24 et 25)

Après l'utilisation, vidangez toujours le réservoir du compresseur et le filtre à air. Si de l'humidité pénètre dans l'outil, elle risque de causer un rendement médiocre, voire une panne de l'outil.

Vérifiez régulièrement qu'il y a assez d'huile pour l'outil pneumatique dans le huileur du dispositif d'air. Les joints toriques s'useront rapidement en cas de lubrification insuffisante. **(Fig. 26)**

Gardez le tuyau d'air à l'écart de la chaleur (plus de 60 °C ou 140 °F) et des produits chimiques (diluants, acides puissants ou alcalis). Faites courir le tuyau à l'écart de tout obstacle sur lequel il risquerait dangereusement de se coincer pendant l'utilisation.

Les tuyaux doivent être placés à l'écart des bords tranchants et des zones qui peuvent entraîner de dommages ou de l'abrasion sur le tuyau. **(Fig. 27)**

Pour assurer la SÉCURITÉ et la FIABILITÉ du produit, toute réparation et tout travail d'entretien ou de réglage doivent être effectués par un Centre de service après-vente agréé Makita, avec des pièces de rechange Makita.

ACCESSOIRES

ATTENTION :

- Ces accessoires ou pièces complémentaires sont recommandés pour l'utilisation avec l'outil Makita spécifié dans ce manuel. L'utilisation de tout autre accessoire ou pièce complémentaire comporte un risque de blessures. Utilisez uniquement l'accessoire ou la pièce complémentaire dans le but spécifié.

Pour obtenir plus de détails sur ces accessoires, contactez un Centre de service après-vente local Makita.

- Clous
- Tuyaux d'air
- Lunettes de sécurité

DÉCLARATION DE CONFORMITÉ CE ENH013-5

Nous déclarons, sous notre entière responsabilité, que ce produit répond aux normes suivantes de documents normalisés :

EN792 conformément aux Directives du Conseil 98/37/CE.

CE 2007



Tomoyasu Kato
Directeur

Fabricant responsable :

Makita Corporation

3-11-8, Sumiyoshi-cho, Anjo, Aichi, JAPON

Représentant agréé en Europe :

Makita International Europe Ltd.

Michigan Drive, Tongwell, Milton Keynes, Bucks MK15 8JD, ANGLETERRE

Erklärung des Gesamtbildes

- | | | |
|---|-----------------------------|--------------------------------------|
| 1. Kompressor-Luftleistung pro Minute | 11. Hebel | 23. Ausstoßöffnung |
| 2. Schussgeschwindigkeit (Auslösungen/Minute) | 12. Magazinabdeckung | 24. Nägel |
| 3. Spezialöl für Druckluftwerkzeuge | 13. Verschlusshebel | 25. Feucht |
| 4. Regler | 14. Auflage für Coilmagazin | 26. Heiß |
| 5. Einhängclip | 15. Teilstrich | 27. Bürste |
| 6. Kontaktauslösung | 16. Pfeil | 28. Ablasshahn |
| 7. Schindelführung | 17. Führungsschiene | 29. Luftfilter |
| 8. Schindel | 18. Anschlusnippel | 30. Öl |
| 9. Nase | 19. Anschlussmuffe | 31. Spezialöl für Druckluftwerkzeuge |
| 10. Justierungsplatte | 20. Auslöser | 32. Lösungsmittel |
| | 21. Kontaktarm | 33. Heizplatten |
| | 22. Kleine Stange | |

TECHNISCHE ANGABEN

Modell	AN453
Luftdruck	0,44 - 0,83 MPa (4,4 - 8,3 bar)
Nagellänge	19 mm - 45 mm
Nagelkapazität	120 St.
Minstdurchmesser für Schlauch	6,5 mm
Spezialöl für Druckluftwerkzeuge	Turbinenöl
Abmessungen (L x H x B)	265 mm X 269 mm X 117 mm
Nettogewicht	2,4 kg

- Durch unser stetiges Forschungs- und Entwicklungsprogramm können sich die hier angegebenen technischen Daten ändern und wir behalten uns das Recht vor, diese ohne Vorankündigung anzupassen.
- Hinweis: Die Spezifikationen können je nach Land unterschiedlich sein.

Symbole END101-1
 Nachfolgend sind die für das Gerät verwendeten Symbole dargestellt. Es ist wichtig, dass Sie deren Bedeutung vor der Benutzung des Werkzeugs kennen.



..... Lesen Sie die Betriebsanleitung.



..... Tragen Sie eine Schutzbrille.

Verwendungszweck ENE059-1
 Das Werkzeug ist zum Einsatz bei Ausbauarbeiten in Innenräumen vorgesehen, wie Fußbodenverbindungen, normalen Dachsparren und Rahmenarbeiten mit 2 "x 4" Druckdose.

WICHTIGE SICHERHEITSHINWEISE ENB090-2

WARNUNG: BEI DER BENUTZUNG DIESES WERKZEUGS MÜSSEN ZUR VERRINGERUNG DER VERLETZUNGSGEFAHR STETS DIE GRUNDSÄTZLICHEN SICHERHEITSHINWEISE, EINSCHLIESSLICH DER FOLGENDEN HINWEISE, BEFOLGT WERDEN:

LESEN SIE ALLE ANWEISUNGEN SORGFÄLTIG DURCH.

- Zu ihrer eigenen Sicherheit und für sachgerechten Betrieb und Wartung des Werkzeugs, lesen Sie diese

Bedienungsanleitung vor der Benutzung des Werkzeugs durch.

- Tragen Sie zum Schutz Ihrer Augen gegen Staub oder Nagelverletzungen stets eine Schutzbrille.

WARNUNG:

Der Arbeitgeber ist für den Gebrauch von Schutzbrillen sowohl des Werkzeugbenutzers, als auch aller weiterer Personen im unmittelbaren Arbeitsbereich verantwortlich.

- Tragen Sie zum Schutz Ihre Ohren vor dem Auslassgeräusch einen Gehörschutz und zusätzlich einen Schutzhelm. Tragen Sie bequeme, aber keine lose sitzende Kleidung. Ärmel müssen geschlossen sein oder hochgerollt werden. Tragen Sie keine Krawatte.
- Hastiges Arbeiten oder Gewaltanwendung im Gebrauch des Werkzeugs sind gefährlich. Behandeln Sie das Werkzeug mit Sorgfalt. Benutzen Sie das Werkzeug nicht, wenn Sie unter Einfluss von Alkohol, Drogen oder ähnlichem stehen.
- Allgemeine Richtlinien zur Werkzeughandhabung:
 - (1) Gehen Sie stets davon aus, dass sich Stiftnägel im Werkzeug befinden.
 - (2) Richten Sie das Werkzeug niemals auf sich selbst oder andere Personen, egal ob es Nägel enthält oder nicht.
 - (3) Betätigen Sie das Werkzeug nur, wenn es fest auf das Werkstück aufgesetzt ist.
 - (4) Setzen Sie das Werkzeug nur als Arbeitsmittel ein.
 - (5) Stellen Sie keine Unfug damit an.

- (6) Nehmen Sie den Finger vom Auslöser während Sie das Werkzeug halten oder transportieren.
 - (7) Laden Sie das Werkzeug nicht mit Nägeln, wenn eines der Bedienungselemente aktiviert ist.
 - (8) Betreiben Sie das Werkzeug nur mit der in den Betriebs-/Sicherheitshinweisen für das Werkzeug angegebenen Stromquelle.
- Ein nicht einwandfrei funktionierendes Werkzeug darf nicht benutzt werden.
 - Während der Benutzung des Werkzeugs können Funken entstehen. Benutzen Sie das Werkzeug nicht in der Nähe flüchtiger, brennbarer Substanzen wie Benzin, Lösungsmittel, Lack, Gas, Klebstoff usw., da diese Feuer fangen und explodieren können, was schwere Verletzungen zur Folge haben kann.
 - Für ein sicheres Arbeiten muss der Arbeitsplatz ausreichend beleuchtet sein. Der Arbeitsplatz muss sauber und frei von Abfällen sein. Achten Sie besonders auf einen guten Standplatz und Balance.
 - Nur für die Arbeit erforderliche Personen sollten sich in der Nähe aufhalten. Insbesondere müssen Kinder immer ferngehalten werden.
 - Befolgen Sie ggf. örtliche Lärmschutzvorschriften und halten Sie den Geräuschpegel unterhalb der höchstzulässigen Werte. Unter bestimmten Voraussetzungen muss Lärmschutz angebracht werden.
 - Spielen Sie nicht mit der Kontaktauslösung: Sie verhindert ein versehentliches Auslösen und darf auf keinen Fall entfernt werden. Die Arretierung des Auslösers in ON-Stellung ist ebenfalls sehr gefährlich. Arretieren Sie den Auslöser nie. Arbeiten Sie nicht mit dem Werkzeug, wenn eines seiner Bedienungselemente funktionsunfähig, nicht angeschlossen oder verändert ist, oder nicht voll arbeitet.
 - Betreiben Sie das Werkzeug aus Sicherheitsgründen nur innerhalb des vorgeschriebenen Luftdruckbereichs von 0,44 – 0,83 MPa (4,4 – 8,3 bar) und um seine längere Lebensdauer zu gewährleisten. Überschreiten Sie nicht den empfohlenen max. Betriebsdruck von 0,83 MPa (8,3 bar). Das Werkzeug darf nicht an eine Quelle angeschlossen werden, deren Druck 1,37 MPa (13,7 bar) überschreiten kann.
 - Vergewissern Sie sich, dass der vom Druckluftsystem gelieferte Luftdruck nicht den höchstzulässigen Luftdruck des Naglers überschreitet. Stellen Sie den Luftdruck anfänglich auf den niedrigeren Wert des empfohlenen zulässigen Drucks ein (siehe TECHNISCHE DATEN).
 - Betreiben Sie das Werkzeug ausschließlich mit Luftdruck. Falls Flaschengas (Kohlendioxid, Sauerstoff, Stickstoff, Wasserstoff, Pressluft usw.) oder brennbares Gas (Wasserstoff, Propan, Acetylen usw.) als Treibgas für dieses Werkzeug verwendet wird, besteht die Gefahr, dass das Werkzeug explodiert und schwere Verletzungen verursacht.
 - Überprüfen Sie das Werkzeug vor jeder Benutzung auf seinen Allgemeinzustand und lockere Schrauben. Erforderlichenfalls ziehen Sie diese an.
 - Vergewissern Sie sich vor der Benutzung, dass alle Sicherheitssysteme in gutem Betriebszustand sind. Das Werkzeug darf nicht auslösen, wenn entweder nur der Auslöser gedrückt oder nur der Kontaktarm gegen das Holz gedrückt wird. Es darf nur dann auslösen, wenn beide Aktionen gleichzeitig stattfinden. Überprüfen Sie das Werkzeug mit leerem Magazin und voll angezogenem Drücker auf möglichen fehlerhaften Betrieb.
 - Überprüfen Sie Wände, Decken, Fußböden, Dächer und ähnliches sorgfältig, um mögliche Stromschocks, Gasaustritt, Explosionen etc. zu vermeiden, die durch die Verletzung von Stromkabeln, Rohr- oder Gasleitungen verursacht wurden.
 - Verwenden Sie nur die in dieser Anleitung angegebenen Nägel. Die Verwendung anderer Nägel kann eine Funktionsstörung des Werkzeugs verursachen.
 - Benutzen Sie nie Nagler mit dem Symbol „Nicht auf Gerüsten oder Leitern verwenden“ für besondere Anwendungen wie beispielsweise:
 - wenn für einen Arbeitsplatzwechsel die Benutzung von Gerüsten, Treppen, Leitern oder leiterähnlichen Konstruktionen wie z. B. Dachlatten nötig ist;
 - zum Verschließen von Kisten oder Verschlägen;
 - zum Anbringen von Transportsicherheitsystemen z. B. an Fahrzeugen und Waggons.
 - Nicht entsprechend eingewiesenen Personen ist die Benutzung des Werkzeugs zu untersagen.
 - Vergewissern Sie sich, dass keine Personen in der Nähe sind, wenn Sie mit dem Nageln beginnen. Versuchen Sie nie, gleichzeitig von innen und außen zu nageln. Nägel können durchlagen bzw. abprallen, was eine große Gefahr darstellt.
 - Achten auf einen guten Standplatz und balancieren Sie Ihr Werkzeug aus. Vergewissern Sie sich, dass sich bei Arbeiten an hochgelegenen Arbeitsplätzen keine Personen darunter aufhalten, und sichern Sie den Luftschlauch, damit bei einem plötzlichen Rucken oder Hängenbleiben keine Gefahr entsteht.
 - Arbeiten Sie beim Nageln auf Dächern und anderen hochgelegenen Orten in Vorwärtsrichtung. Beim Nageln nach rückwärts können Sie leicht den Stand verlieren. Nageln Sie bei Arbeiten an senkrechten Flächen von oben nach unten. Dadurch ermüden Sie beim Nageln nicht so schnell.
 - Wenn Sie beim Nageln versehentlich auf einen anderen Nagel oder einen Ast im Holz treffen kann sich der Nagel verbiegen oder auch im Werkzeug verklemmen. Der Nagel kann zurückschnellen und jemanden treffen, oder das Werkzeug selbst kann gefährlich reagieren. Setzen Sie die Nägel deshalb sorgfältig.
 - Setzen Sie das geladene Werkzeug oder den Kompressor nicht längere Zeit unter Druck der Sonne aus. Achten Sie darauf, dass am Ablageplatz des Werkzeugs Staub, Sand, Späne oder Fremdkörper nicht in das Werkzeug eindringen können.
 - Richten Sie die Ausstoßöffnung nicht auf in der Nähe befindliche Personen. Halten Sie Hände und Füße vom Bereich der Ausstoßöffnung fern.
 - Transportieren Sie das Werkzeug bei angeschlossenem Luftschlauch nicht mit dem Finger am Auslöser, und übergeben Sie es in diesem Zustand auch nicht an andere Personen. Eine versehentliche Auslösung kann äußerst gefährlich sein.
 - Behandeln Sie das Werkzeug sorgfältig, da es unter hohem Druck steht, und ein durch grobe Behandlung

- verursachter Riss (Fallenlassen oder Anstoßen) gefährlich werden kann. Versuchen Sie nicht, in das Werkzeug einzuritzen oder einzugravieren.
- Brechen Sie das Nageln sofort ab, wenn Sie einen Defekt oder etwas Ungewöhnliches am Werkzeug bemerken.
 - Trennen Sie stets den Luftschlauch ab, und entfernen Sie alle Nägel:
 - (9) Wenn das Gerät unbeaufsichtigt ist.
 - (10) Bevor Sie Wartungs- oder Reparaturarbeiten durchführen.
 - (11) Bevor Sie einen Nagelstau beseitigen.
 - (12) Bevor Sie das Werkzeug zu einem anderen Ort transportieren.
 - Führen Sie die Reinigungs- und Wartungsarbeiten unmittelbar nach Arbeitsende durch. Halten Sie das Werkzeug stets in einwandfreiem Zustand. Schmieren Sie bewegliche Teile, um Rostbildung zu verhindern und den Verschleiß durch Reibung zu minimieren. Säubern Sie alle Teile von Staub.
 - Nehmen Sie keine Veränderungen am Werkzeug vor, die nicht von Makita genehmigt wurden.
 - Lassen Sie das Werkzeug regelmäßig von autorisierten Makita-Servicecentern überprüfen.
 - Um die SICHERHEIT und ZUVERLÄSSIGKEIT des Produkts zu gewährleisten, dürfen Wartung und Reparaturen nur durch von Makita autorisierte Servicecenter unter Verwendung von original Makita-Ersatzteilen durchgeführt werden.
 - Verwenden Sie nur das in dieser Anleitung angegebene Spezialöl für Druckluftwerkzeuge.
 - Schließen Sie das Werkzeug niemals an einer Druckluftleitung an, deren maximal zulässiger Luftdruck nicht um 10% überschritten werden kann. Vergewissern Sie sich, dass der vom Druckluftsystem gelieferte Luftdruck nicht den höchstzulässigen Luftdruck des Naglers überschreitet. Stellen Sie den Luftdruck anfänglich auf den niedrigeren der empfohlenen zulässigen Druckwerte ein.
 - Fixieren Sie den Auslöser nie mit Kleband oder Draht dauerhaft in eingeschalteter Stellung. Dies kann zum Tod oder zu schweren Verletzungen führen.
 - Überprüfen Sie die Kontaktauslösung stets wie im vorliegenden Handbuch angegeben. Wenn der Sicherheitsmechanismus nicht ordnungsgemäß funktioniert, können Nägel fälschlich eingetrieben werden.

BEWAHREN SIE DIESE ANWEISUNGEN SORGFÄLTIG AUF.

INSTALLATION

Kompressorauswahl (Abb. 1)

Der Kompressor muss den Anforderungen gemäß EN60335-2-34 entsprechen.

Wählen Sie einen Kompressor mit reichlicher Luftdruck- und Luftmengenleistung, um einen kosteneffizienten Betrieb zu gewährleisten. Die Grafik zeigt den Bezug zwischen Schussgeschwindigkeit, geeignetem Druck und Kompressor-Luftleistung.

Wenn also der Nagelbetrieb mit einer Frequenz von ca. 40 Auslösungen pro Minute bei einem Druck von

0,69 MPa (6,9 bar) erfolgt, wird ein Kompressor mit einer Luftmengenleistung von mehr als 60 L/min gebraucht. Wenn der gelieferte Luftdruck den Nenndruck des Werkzeugs überschreitet, müssen Druckregler zur Begrenzung des Luftdrucks auf den Nenndruck des Werkzeugs verwendet werden. Eine Missachtung kann zu schweren Verletzungen des Bedieners oder in der Nähe befindlicher Personen führen.

Auswahl des Luftschlauchs (Abb. 2)

Verwenden Sie einen möglichst dicken und kurzen Luftschlauch, um einen kontinuierlichen, einwandfreien Nagelbetrieb sicherzustellen. Bei einem Intervall von 0,5 Sekunden zwischen jedem Nageln werden ein Luftdruck von 0,49 MPa (4,9 bar) und ein Luftschlauch mit internem Durchmesser von 6,5 mm (1/4") und einer Höchstlänge von 20 m empfohlen. Luftdruckschläuche müssen entweder einen Mindestarbeitsdruck von 1,03 MPa (10,3 bar) oder 150 Prozent des Maximaldrucks des Kompressorsystems haben, je nachdem welcher höher ist.

ACHTUNG:

- Eine zu geringe Luftleistung des Kompressors, ein langer Luftschlauch oder mit zu kleinem Durchmesser in Bezug zur Schussgeschwindigkeit können zu einer Verringerung der Eintreibtiefe des Werkzeugs führen.

Schmierung (Abb. 3)

Zur Sicherstellung der maximalen Leistung installieren Sie den Luftsatz (Öler, Regler, Luftfilter) möglichst nahe am Werkzeug. Stellen Sie den Öl so ein, dass er für jeweils 30 Nägel einen Tropfen Öl liefert. Wenn der Luftsatz längere Zeit nicht verwendet wird, ölen Sie das Werkzeug mit Spezialöl für Druckluftwerkzeuge, indem Sie 2 (zwei) bis 3 (drei) Tropfen in den Anschlussnippel geben. Dies sollte sowohl vor als auch nach dem Gebrauch erfolgen. Für eine einwandfreie Schmierung muss das Werkzeug ein paar Mal ausgelöst werden, nachdem das Spezialöl für Druckluftwerkzeuge eingespritzt wurde. (Abb. 4)

FUNKTIONSBESCHREIBUNG

ACHTUNG:

- Klemmen Sie stets den Schlauch ab, bevor Sie das Werkzeug einstellen oder seine Funktionen überprüfen.

Einstellen der Nageltiefe (Abb. 5)

Sie stellen die Nageltiefe durch entsprechendes Drehen des Reglers ein. Die Nageltiefe ist am tiefsten, wenn der Einsteller voll in Richtung A zeigt, wie in der Abbildung abgebildet. Je weiter Sie den Regler in Richtung B drehen, desto geringer wird die Nageltiefe. Wenn die Nägel nicht tief genug eingetrieben werden, auch wenn der Regler vollständig in Richtung A gedreht ist, müssen Sie den Luftdruck erhöhen. Wenn die Nägel zu tief eingetrieben werden, auch wenn der Einsteller vollständig in Richtung B gedreht ist, verringern Sie den Luftdruck. Im Allgemeinen verlängert sich die Lebensdauer des Werkzeugs, wenn es bei niedrigem Luftdruck verwendet wird und der Regler auf eine geringere Eintreibtiefe eingestellt ist.

ACHTUNG:

- Klemmen Sie stets den Schlauch ab, bevor Sie die Nageltiefe einstellen.

Haken (Abb. 6)

ACHTUNG:

- Klemmen Sie stets den Schlauch vom Werkzeug ab.
- Haken Sie das Werkzeug niemals an erhöhten Plätzen oder an einer instabilen Oberflächen ein.

Der Einhängclip zweckmäßig für das kurzfristige Aufhängen des Werkzeugs.

Ausrichtung der Schindelführung (Abb. 7 und 8)

Die Schindelführung wurde für den laufenden Gebrauch bei Schindeln konstruiert. Bringen Sie die Schindel in die gewünschte Position.

Drehen Sie den Hebel zum Lockern der Justierungsplatte in Uhrzeigerichtung.

Setzen Sie das Werkzeug auf die Schindel, wobei die Nase der Kontaktauslösung das Unterteil der vorhergehenden Schindelreihe niederdrückt. Führen Sie die Justierungsplatte hoch bis zum unteren Ende der exponierten Schindel und drehen Sie zum Arretieren der Justierungsplatte den Hebel entgegen dem Uhrzeigersinn.

MONTAGE

ACHTUNG:

- Klemmen Sie stets den Schlauch ab, bevor Sie Arbeiten am Werkzeug ausführen.

Füllen des Naglers (Abb. 9)

Wählen Sie die für Ihre Arbeit passenden Nägel aus. Drücken Sie den Magazinhebel nach unten und öffnen Sie die Magazinabdeckung.

Heben Sie die Auflage für das Coilmagazin an und drehen Sie es so, dass der Pfeil mit der auf der Auflage angegebenen Nagelgröße auf den entsprechenden Teilstrich zeigt, der am Magazin markiert ist. Wenn die Auflage für das Coilmagazin nicht richtig eingestellt ist, können bei der Bedienung des Geräts Funktionsstörungen bei der Nagelzuführung auftreten.

(Abb. 10)

Legen Sie das Coilmagazin auf die Auflageplatte. Wickeln Sie eine ausreichend Anzahl von Nägeln zum Erreichen der Führungsschiene ab. Platzieren Sie den ersten Nagel im Ausstoßschaft und den zweiten Nagel in der Führungsschiene.

Platzieren Sie die anderen abgewickelten Nägel im Zuführungsgehäuse. Setzen Sie die Magazinabdeckung wieder auf, nachdem Sie überprüft haben, dass das Nagelband richtig im Magazin eingesetzt ist. **(Abb. 11)**

Anschließen des Luftschlauchs (Abb. 12)

Schieben Sie die Anschlussmuffe des Luftschlauchs auf dem Anschlussnippel des Naglers. Vergewissern Sie sich, dass die Anschlussmuffe nach der Installation auf dem Anschlussnippel fest in ihrer Position eingerastet ist. Eine Schlauchkupplung muss so am Werkzeug oder in dessen Nähe installiert werden, dass der Druckvorrat abgelassen wird, wenn die Druckluftkupplung abgetrennt wird.

BETRIEB

ACHTUNG:

- Vergewissern Sie sich vor der Benutzung, dass alle Sicherheitssysteme in gutem Betriebszustand sind.
1. Um einen Nagel einzutreiben, setzen Sie den Kontaktfuß auf das Werkstück und drücken auf den Auslöser oder **(Abb. 13 und 14)**
 2. Drücken Sie zuerst auf den Auslöser, und setzen Sie dann die Kontaktauslösung auf das Arbeitsstück.
- Die 1. Methode eignet sich für stoßweises Nageln, wenn Sie einen Nagel sorgfältig und sehr genau eintreiben möchten. Die 2. Methode ist für kontinuierliches Nageln.

ACHTUNG:

- Der Betrieb des Werkzeugs ohne Nägel verkürzt seine Lebenszeit und sollte vermieden werden.

Für Auslösung in Reihenfolge (Zubehör)

Um einen Nagel einzutreiben, setzen Sie den Auslöser auf das Werkstück und drücken auf den Auslöser.

(Abb. 15)

ACHTUNG:

- BEI HALB GEDRÜCKTEM AUSLÖSER kann eine plötzliche Auslösung erfolgen, falls der Auslöser durch einen Rückstoß erneut mit dem Werkstück oder einer anderen Oberfläche in Berührung kommt. Um dieses unerwartete Nageln zu vermeiden, beachten Sie bitte Folgendes:
- A. Drücken Sie den Auslöser nicht mit übermäßiger Kraft gegen das Werkstück.
 - B. Drücken Sie den Auslöser bis zum Anschlag, und halten Sie ihn nach dem Nageln noch 1-2 Sekunden lang gedrückt.

Nagelverklebung (Abb. 16)

ACHTUNG:

- Klemmen Sie den Luftschlauch jedes Mal ab und entfernen Sie die Nägel aus dem Magazin bevor sie einen Nagelstau beheben.

Gehen Sie bei einer Blockierung des Naglers folgendermaßen vor:

Öffnen Sie die Magazinabdeckung und entnehmen Sie das Nagelband. Führen Sie eine kleine Stange oder ähnliches in die Ausstoßöffnung ein, und klopfen Sie mit einem Hammer leicht darauf, um den klemmenden Nagel aus der Ausstoßöffnung zu treiben. Legen Sie das Nagelband wieder ein und schließen Sie die Magazinabdeckung.

Nägel (Abb. 17)

Behandeln Sie die Nagelbänder und ihre Schachteln sorgfältig. Bei grober Behandlung der Nagelbänder können sie sich verformen, oder ihre Verbinder können brechen, wodurch ein schlechter Nageltransport verursacht wird.

Vermeiden Sie die Lagerung von Nägeln an sehr feuchten oder heißen Orten oder an Orten, die direktem Sonnenlicht ausgesetzt sind. **(Abb. 18)**

WARTUNG

ACHTUNG:

- Klemmen Sie stets den Schlauch immer ab, bevor Sie eine Inspektion oder Wartung durchführen.

Säuberung und Entfernen von Abrieb und Schmutz

Das Verkleben des Bereichs um die Kontaktauslösung mit Abrieb und Schmutz verhindert die reibungslose Bewegung der Kontaktauslösung

(Sicherheitsmechanismus) und kann zu einer unbeabsichtigten Entladung führen. Säubern Sie deshalb von Zeit zu Zeit die Bereiche rund um die Kontaktauslösung.

Verwenden Sie Kerosin, Heizöl Klasse 2 oder Diesel als Reinigungsmittel.

Tauchen Sie nur die Kontaktauslösung und Bereiche um die Ausstoßöffnung im Lösungsmittel und reiben Sie den Abrieb und Schmutz mit einer Bürste ab. Tragen Sie zum Schutz Ihrer Hände dabei immer entsprechende Schutzhandschuhe. Tauchen Sie jedoch die Druckdose und das Magazin etc. nie in ein Lösungsmittel ein. Dies würde eine Funktionsstörung des Werkzeugs nach sich ziehen. Entsorgen Sie das Lösungsmittel jeweils sicher und umsichtig unter Einhaltung aller diesbezüglichen lokalen und nationalen Bestimmungen. **(Abb. 19)**

Lassen Sie das Gerät vor der nächsten Benutzung ganz austrocknen. Alle evt. Ölrückstände nach der Reinigung verstärken das Anhaften von Abrieb und das Gerät muss umso häufiger gereinigt werden. Nachdem das Gerät ganz trocken ist, ölen Sie die beweglichen Teile als Schutz gegen Rost und für eine gute Schmierung und Betriebsweise der beweglichen Teile.

WARNUNG:

- Verwenden Sie nie Benzin oder andere, ähnlich hochflüchtigen Flüssigkeiten zur Reinigung. Die Dämpfe dieser Flüssigkeiten könnten in das Gerät gelangen, durch Funkenflug beim Nageln entzündet werden und eine Explosion verursachen.

Wartung des Naglers

Überprüfen Sie das Werkzeug vor jeder Benutzung auf seinen Allgemeinzustand und lockere Schrauben. Erforderlichenfalls ziehen Sie diese an. **(Abb. 20)**

Führen Sie bei abgeklemmtem Luftschlauch eine tägliche Überprüfung durch, um sicherzustellen, dass sich der Kontaktauslöser und der Auslöser frei bewegen.

Benutzen Sie das Werkzeug nicht, falls der Kontaktauslöser oder der Auslöser klemmen oder blockieren. **(Abb. 21)**

Wenn das Werkzeug längere Zeit nicht benutzt werden soll, schmieren Sie es mit Öl für Druckluftwerkzeuge, und lagern Sie es an einem sicheren Ort. Vermeiden Sie Orte, die direktem Sonnenlicht ausgesetzt sind bzw. eine feuchte oder heiße Umgebung. **(Abb. 22 und 23)**

Wartung von Kompressor, Luftsatz und Luftschlauch (Abb. 24 und 25)

Nach jedem Betrieb müssen Kompressortank und Luftfilter entleert werden. In das Werkzeug eingedrungene Feuchtigkeit kann eine Verschlechterung der Leistung und ein mögliches Versagen des Werkzeugs verursachen.

Prüfen Sie regelmäßig, dass sich genügend Öl für Druckluftwerkzeuge im Öl der Luftsatzes befindet. Eine Vernachlässigung der Schmierung führt zu schnellem Verschleiß der O-Ringe. **(Abb. 26)**

Halten Sie den Luftschlauch von Wärmequellen (über 60°C, über 140 °F) und Chemikalien (Lösungsmittel, starke Säuren oder Laugen) fern. Achten Sie auch darauf, dass sich der Schlauch nicht an Hindernissen verfangen kann, da dies während des Betriebs gefährlich werden kann.

Der Schlauch darf auch nicht mit scharfen Kanten oder Gegenständen in Berührung kommen, die zu einer Beschädigung oder Abrieb des Schlauchs führen können. **(Abb. 27)**

Um die SICHERHEIT und ZUVERLÄSSIGKEIT des Produkts zu gewährleisten, dürfen Reparaturen, Wartungsarbeiten und Einstellungen nur durch von Makita autorisierte Servicecenter unter Verwendung von Makita-Ersatzteilen durchgeführt werden.

ZUBEHÖR

ACHTUNG:

- Die folgenden Zubehör- und Zusatzteile werden für das in diesem Handbuch beschriebene Makita-Werkzeug empfohlen. Die Verwendung anderer Zubehör- und Zusatzteile kann zu Verletzungen von Personen führen. Verwenden Sie Zubehör- und Zusatzteile nur für den jeweils vorgesehenen Zweck.

Informationen zu diesem Zubehör erhalten Sie bei einem Makita-Servicecenter in Ihrer Nähe.

- Nägel
- Luftschläuche
- Schutzbrille

EG-KONFORMITÄTSERKLÄRUNG

ENH013-5

Wir erklären in alleiniger Verantwortung, dass sich dieses Produkt die folgenden Normen der Normdokumente einhält;

EN792 gemäß den Ratsverordnungen 98/37/EC.

CE 2007



Tomoyasu Kato
Direktor

Verantwortlicher Hersteller:

Makita Corporation

3-11-8, Sumiyoshi-cho, Anjo, Aichi, JAPAN

Autorisierte Vertretung für Europa:

Makita International Europe Ltd.

Michigan Drive, Tongwell, Milton Keynes, Bucks MK15 8JD, ENGLAND

Spiegazione della vista generale

- | | | |
|---|--------------------------------------|--------------------------|
| 1. Uscita aria compressore al minuto | 11. Leva | 23. Foro di espulsione |
| 2. Frequenza di chiodatura (volte/min) | 12. Coperchio del caricatore | 24. Chiodo |
| 3. Olio pneumatico | 13. Leva del dispositivo di chiusura | 25. Umido |
| 4. Regolatore | 14. Piastra di supporto della bobina | 26. Caldo |
| 5. Gancio | 15. Regolazione | 27. Spazzola |
| 6. Elemento di contatto | 16. Freccia | 28. Rubinetto di scarico |
| 7. Guida di posizionamento delle scandole | 17. Dispositivo di avanzamento | 29. Filtro aria |
| 8. Scandola | 18. Elemento aria | 30. Oliatore |
| 9. Proiezione | 19. Presa aria | 31. Olio pneumatico |
| 10. Piastra di regolazione | 20. Grilletto | 32. Solventi |
| | 21. Braccio di contatto | 33. Fornello |
| | 22. Asticciola | |

CARATTERISTICHE TECNICHE

Modello	AN453
Pressione aria	0,44 - 0,83 Mpa (4,4 - 8,3 bar)
Lunghezza chiodi	19 mm - 45 mm
Capacità chiodi	120 pz.
Diametro minimo tubo	6,5 mm
Olio pneumatico	Olio turbina
Dimensioni (Lu x A x La)	265 mm x 269 mm x 117 mm
Peso netto	2,4 kg

- Le caratteristiche tecniche riportate di seguito sono soggette a modifiche senza preavviso in virtù del nostro programma continuo di ricerca e sviluppo.
- Nota: le caratteristiche tecniche possono differire da Paese a Paese.

Simboli

END101-1

Il seguente elenco riporta i simboli utilizzati per questo utensile. È importante comprenderne il significato prima di utilizzare l'utensile.



..... Leggere il manuale di istruzioni.



..... Indossare occhiali di protezione.

Uso previsto

ENE059-1

L'utensile è progettato per lavori interni preliminari, come il fissaggio di travetti o comuni travicelli e oggetti di carpenteria in alloggiamenti da 2" x 4".

ISTRUZIONI IMPORTANTI PER LA SICUREZZA

ENB090-2

AVVERTENZA: PER RIDURRE IL RISCHIO DI LESIONI PERSONALI, QUANDO SI UTILIZZA QUESTO UTENSILE È NECESSARIO OSSERVARE SEMPRE LE PRECAUZIONI DI BASE PER LA SICUREZZA, COMPRESSE LE PRECAUZIONI SEGUENTI:

LEGGERE TUTTE LE ISTRUZIONI.

- Per la propria sicurezza personale e per il funzionamento e la manutenzione corretti dell'utensile, leggere questo manuale di istruzioni prima di utilizzarlo.

- Indossare sempre gli occhiali di protezione per proteggere gli occhi dalla polvere o dai chiodi.
AVVERTENZA:
È responsabilità del datore di lavoro obbligare chi utilizza l'utensile e le persone nelle immediate vicinanze a indossare occhiali di protezione.
- Indossare paraorecchi per proteggere le orecchie dal rumore di scarico. Indossare anche un casco. Indossare sempre abiti leggeri e aderenti. Le maniche devono essere abbottonate o rimboccate. Non indossare la cravatta
- È pericoloso lavorare con molta fretta o mettere l'utensile sotto sforzo. Maneggiare l'utensile con attenzione. Non usarlo sotto l'influenza di alcol, droghe e sostanze simili.
- Principi generali per l'uso sicuro dell'utensile:
 - (1) Presupporre sempre che l'utensile contenga i chiodi.
 - (2) Non puntare l'utensile su di sé o sugli altri, che contenga o meno i chiodi.
 - (3) Non attivare l'utensile se non appoggiato saldamente al pezzo.
 - (4) Utilizzare l'utensile come uno strumento di lavoro.
 - (5) Non giocare con l'utensile.
 - (6) Non tenere o trasportare l'utensile con un dito sul grilletto.
 - (7) Non caricare i chiodi nell'utensile quando uno qualsiasi dei controlli di funzionamento è attivato.

- (8) Non far funzionare l'utensile con una fonte di alimentazione diversa da quella specificata nelle istruzioni per l'uso/sicurezza.
- Non utilizzare l'utensile se non funziona correttamente.
 - Quando si usa l'utensile, a volte potrebbero volare delle scintille. Non usare l'utensile vicino a sostanze volatili e infiammabili, quali benzina, solventi, vernici, gas, adesivi, ecc., perché possono accendersi ed esplodere causando lesioni gravi.
 - L'area di lavoro deve essere sufficientemente illuminata per garantire un funzionamento sicuro. L'area di lavoro deve essere pulita e senza rifiuti. Be especially careful to maintain good footing and balance.
 - Solo gli addetti ai lavori possono avvicinarsi all'area in cui viene utilizzato l'utensile. I bambini devono sempre essere tenuti lontano.
 - Potrebbero esistere delle norme locali sui rumori che vanno rispettate mantenendo il livello del rumore entro i limiti prescritti. In alcuni casi, usare dei ripari per limitare il rumore.
 - Non giocare con l'elemento di contatto: impedisce la scarica accidentale, per cui va mantenuto in posizione e non deve essere rimosso. Anche fissare il grilletto nella posizione ON è molto pericoloso. Non fissare mai il grilletto. Non usare l'utensile se una parte qualsiasi dei suoi controlli non può essere usata, è staccata, modificata o non funziona correttamente.
 - Per garantire la massima sicurezza e una lunga vita dell'utensile, farlo funzionare con la pressione d'aria specificata compresa tra 0,44 – 0,83 MPa (4,4 – 8,3 bar). Non superare la pressione massima raccomandata di 0,83 MPa (8,3 bar). L'utensile non deve essere collegato a una fonte la cui pressione possa superare 1,37 MPa (13,7 bar).
 - Accertarsi che la pressione fornita al sistema d'aria compressa non superi la pressione massima consentita per la chiodatrice. Regolare inizialmente la pressione dell'aria sul valore più basso della pressione consentita consigliata (vedere le CARATTERISTICHE TECNICHE).
 - L'utensile deve essere usato esclusivamente con aria compressa. Se come fonte di alimentazione dell'utensile si usa una bomboletta di gas (biossido di carbonio, ossigeno, azoto, idrogeno, aria, ecc.) o un gas combustibile (idrogeno, propano, acetilene, ecc.), l'utensile potrebbe esplodere causando lesioni serie.
 - Prima dell'uso, controllare sempre le condizioni generali dell'utensile e l'eventuale presenza di viti allentate. Serrarle, se necessario.
 - Accertarsi che tutti i sistemi di sicurezza funzionino correttamente prima dell'uso. L'utensile non deve funzionare se si schiaccia soltanto il grilletto o si preme soltanto il braccio di contatto contro il legno. Esso deve funzionare soltanto quando si eseguono entrambe queste operazioni. Per verificare un eventuale funzionamento anomalo, fare una prova senza i chiodi e con l'elemento di spinta completamente tirato.
 - Controllare con cura le pareti, i soffitti, i pavimenti e i tetti per evitare potenziali scosse elettriche, perdite di gas, esplosioni, ecc., causate dall'aver colpito fili elettrici sotto tensione, tubazioni o tubi del gas.
 - Usare soltanto i chiodi specificati in questo manuale. L'utilizzo di qualsiasi altro tipo di chiodi potrebbe causare il malfunzionamento dell'utensile.
 - Non si devono mai usare chiodatrici marcate con il simbolo "Non usare su impalcature, scale a pioli" per applicazioni specifiche, per esempio:
 - se il cambiamento del posto di chiodatura richiede l'utilizzo di impalcature, scale a pioli, montacarichi o altri materiali di costruzione, per esempio travi di legno;
 - per chiudere scatole o casse di legno.
 - sistemi di sicurezza per il trasporto, per es., su veicoli o vagoni.
 - Non fare usare l'utensile da chi non lo sa usare.
 - Prima della chiodatura, accertarsi che non vi sia nessuno vicino. Non cercare di inchiodare allo stesso tempo da entrambi i lati interno e esterno. I chiodi potrebbero trapassare e/o volare via, con grave pericolo.
 - Quando si utilizza l'utensile, prestare estrema attenzione alla posizione dei piedi, cercando di mantenere sempre l'equilibrio. Quando si lavora in luoghi alti, accertarsi che sotto non vi sia nessuno e fissare il tubo dell'aria per evitare eventuali pericoli nel caso venga spostato all'improvviso o rimanga impigliato.
 - Sui tetti ed altri luoghi alti, inchiodare spostandosi in avanti. È facile perdere l'appoggio dei piedi se si esegue la chiodatura con il peso spostato all'indietro. Per inchiodare una superficie perpendicolare, procedere dall'alto verso il basso. In questo modo le operazioni di chiodatura sono meno faticose.
 - Un chiodo potrebbe storcarsi o l'utensile incepparsi se si inchioda per sbaglio su un altro chiodo o su un nodo del legno. Il chiodo potrebbe venire scagliato e colpire qualcuno, o l'utensile stesso potrebbe reagire pericolosamente. Posizionare i chiodi con cura.
 - Non lasciare l'utensile carico o il compressore d'aria sotto pressione per un lungo periodo di tempo al sole. Fare attenzione che polvere, sabbia, trucioli o altre sostanze estranee non entrino nell'utensile nel luogo in cui viene lasciato.
 - Non puntare il foro di espulsione su qualcuno vicino. Tenere le mani e i piedi lontani dall'area del foro di espulsione.
 - Quando si collega il tubo dell'aria, non trasportare l'utensile con il dito sul grilletto o passarlo a qualcuno in questa condizione. L'espulsione accidentale dei chiodi può essere estremamente pericolosa.
 - Maneggiare l'utensile con attenzione perché all'interno è presente un'alta pressione che può essere pericolosa se si causa una crepa maneggiandolo in modo errato (facendolo cadere o se subisce un colpo). Fare attenzione a non intagliare o incidere l'utensile.
 - Arrestare immediatamente la chiodatura se si nota qualcosa di sbagliato o fuori del comune nell'utensile.
 - Staccare sempre il tubo dell'aria e rimuovere tutti i chiodi:
 - (9) Se l'utensile viene lasciato incustodito.
 - (10) Prima di eseguire un qualsiasi intervento di manutenzione o di riparazione.
 - (11) Prima di correggere un inceppamento.
 - (12) Prima di portare l'utensile in un altro luogo.

- Eseguire la pulizia e la manutenzione subito dopo la fine del lavoro. Mantenere l'utensile in ottime condizioni. Lubrificare le parti mobili per evitare che arrugginiscono e minimizzare l'usura causata dagli attriti. Togliere tutta la polvere dalle parti.
- Non modificare l'utensile senza l'autorizzazione di Makita.
- Richiedere l'ispezione periodica dell'utensile presso un centro di assistenza Makita autorizzato.
- Per mantenere la SICUREZZA e l'AFFIDABILITÀ del prodotto, le riparazioni e qualsiasi altra operazione di manutenzione devono essere eseguiti dai centri di assistenza autorizzati Makita utilizzando sempre parti di ricambio Makita.
- Usare soltanto l'olio pneumatico specificato in questo manuale.
- Non collegare mai l'utensile a una linea d'aria compressa in cui la pressione massima consentita per l'utensile non possa essere superata del 10%. Accertarsi che la pressione fornita al sistema d'aria compressa non superi la pressione massima consentita per la chiodatrice. Regolare inizialmente la pressione dell'aria sul valore più basso della pressione consentita consigliata.
- Non tenere l'elemento di contatto del grilletto premuto con nastro o fili. Ciò potrebbe provocare morte o lesioni gravi.
- Controllare sempre l'elemento di contatto seguendo le istruzioni del presente manuale. Se il meccanismo di sicurezza non funziona correttamente, i chiodi potrebbero essere conficcati involontariamente.

CONSERVARE QUESTE ISTRUZIONI.

INSTALLAZIONE

Scelta del compressore (Fig. 1)

Il compressore d'aria deve essere conforme ai requisiti di EN60335-2-34.

Per un funzionamento efficiente, selezionare un compressore con una pressione e un'uscita dell'aria ampie. Il grafico mostra il rapporto tra la frequenza di chiodatura, la pressione applicabile e l'uscita d'aria del compressore.

Se per esempio la chiodatura avviene a una velocità di circa 40 volte al minuto a una compressione di 0,69 MPa (6,9 bar), è necessario un compressore con un'uscita dell'aria di oltre 60 L/min.

Per limitare la pressione dell'aria alla pressione nominale dell'utensile se la pressione di alimentazione dell'aria supera la pressione nominale, è necessario usare regolatori di pressione. In caso contrario, sussiste il pericolo di lesioni serie per l'operatore e per chi è vicino.

Scelta del tubo dell'aria (Fig. 2)

Per garantire un'operazione di chiodatura efficiente e continua, usare un tubo dell'aria quanto più grande e corto possibile. Con una pressione d'aria di 0,49 MPa (4,9 bar) e un intervallo tra una chiodatura e l'altra di 0,5 secondi, si consiglia un tubo con un diametro interno di oltre 6,5 mm (1/4") e una lunghezza inferiore a 20 m. I tubi di alimentazione dell'aria devono avere un

coefficiente della pressione minima di esercizio del valore più alto tra 1,03 MPa (10,3 bar) o il 150% rispetto alla pressione massima prodotta nel sistema.

ATTENZIONE:

- Una bassa uscita dell'aria del compressore o un tubo dell'aria lungo o con un diametro interno più piccolo in rapporto alla frequenza di chiodatura, potrebbero causare una diminuzione delle capacità dell'utensile.

Lubrificazione (Fig. 3)

Per garantire le massime prestazioni, installare un gruppo aria (oliatore, regolatore, filtro aria) quanto più vicino possibile all'utensile. Regolare l'oliatore in modo che venga fornita una goccia d'olio ogni 30 chiodi. Se non si usa un gruppo aria, oliare l'utensile con l'olio pneumatico mettendo 2 o 3 gocce nell'elemento dell'aria. Questo va fatto prima e dopo l'uso. Per la lubrificazione corretta, l'utensile deve essere usato un paio di volte dopo l'introduzione dell'olio pneumatico. (Fig. 4)

DESCRIZIONE FUNZIONALE

ATTENZIONE:

- Staccare sempre il tubo dell'aria prima di regolare o controllare le funzioni dell'utensile.

Regolazione della profondità di chiodatura (Fig. 5)

Per regolare la profondità di chiodatura, ruotare il regolatore. La profondità di chiodatura maggiore si ha con il regolatore ruotato completamente nella direzione A, come mostrato nella figura. Essa si riduce man mano che il regolatore viene ruotato nella direzione B. Se non è possibile conficcare i chiodi a una profondità sufficiente anche con il regolatore ruotato completamente nella direzione A, aumentare la pressione dell'aria. Se non è possibile conficcare i chiodi a una profondità sufficiente anche con il regolatore ruotato completamente nella direzione B, aumentare la pressione dell'aria. In genere, la vita di servizio dell'utensile diventa più lunga se viene usato con una pressione d'aria più bassa e il regolatore impostato su un numero più basso.

ATTENZIONE:

- Staccare sempre il tubo prima di regolare la profondità di chiodatura.

Gancio (Fig. 6)

ATTENZIONE:

- Staccare sempre il tubo dall'utensile.
- Non appendere l'utensile a supporti potenzialmente instabili o in posizioni elevate.

Il gancio è utile per appendere temporaneamente l'utensile.

Regolazione della guida di posizionamento delle scandole (Fig. 7 e 8)

La guida per il posizionamento delle scandole è progettata per garantire un posizionamento uniforme. Sistemare la scandola nella posizione desiderata. Girare la leva in senso orario per sbloccare la piastra di regolazione.

Azzerare l'utensile sulla scandola esposta con le parti sporgenti dell'elemento di contatto a pressione sulla fila precedente di scandole. Far scorrere in alto la piastra di regolazione verso la parte inferiore della scandola esposta e bloccarla girando la leva in senso antiorario.

MONTAGGIO

ATTENZIONE:

- Staccare sempre il tubo dell'aria prima di effettuare qualsiasi operazione sull'utensile.

Caricamento della chiodatrice (Fig. 9)

Selezionare i chiodi adatti al lavoro da svolgere. Abbassare la leva del dispositivo di chiusura e aprire il coperchio del caricatore.

Sollevarlo e girare la piastra di supporto della bobina in modo che la freccia con la dimensione del chiodo indicata nella piastra punti con il corrispondente incremento di graduazione riportato sul caricatore. Se si utilizza l'utensile con la piastra di supporto della bobina impostata sul grado sbagliato, l'alimentazione dei chiodi potrebbe non avvenire correttamente o si potrebbero verificare malfunzionamenti. (Fig. 10)

Posizionare la bobina di chiodi sulla piastra di supporto. Srotolare i chiodi necessari a raggiungere il dispositivo di avanzamento. Posizionare il primo chiodo sul canale di sparo e il secondo sul dispositivo di avanzamento.

Collocare gli altri chiodi srotolati nel corpo dell'alimentatore. Chiudere il coperchio del caricatore dopo aver controllato che le bobine chiodi siano correttamente inserite al suo interno. (Fig. 11)

Collegamento del tubo dell'aria (Fig. 12)

Inserire la presa d'aria del tubo dell'aria sull'elemento dell'aria della chiodatrice. Accertarsi che la presa d'aria sia fissata saldamente in posizione quando è installata sull'elemento dell'aria. È necessario installare un accoppiatore del tubo sulla parte superiore o vicino all'utensile in modo che il serbatoio della pressione si scarichi quando l'accoppiatore di alimentazione dell'aria viene staccato.

USO

ATTENZIONE:

- Accertarsi che tutti i sistemi di sicurezza funzionino correttamente prima dell'uso.
1. Per sparare un chiodo, posizionare l'elemento di contatto direttamente sul pezzo e premere il grilletto, o (Fig. 13 e 14)
 2. Per sparare un chiodo, posizionare l'elemento di contatto direttamente sul pezzo e premere il grilletto.
- Il metodo numero 1 serve per la chiodatura intermittente, quando si desidera conficcare un chiodo con molta cura e precisione. Il metodo numero 2 serve per la chiodatura continua.

ATTENZIONE:

- L'uso dell'utensile senza chiodi riduce la vita dell'utensile, quindi si consiglia di evitarlo.

Per grilletto sequenziale (accessorio)

Per sparare un chiodo, posizionare l'elemento di contatto direttamente sul pezzo e premere il grilletto. (Fig. 15)

ATTENZIONE:

- SE IL GRILLETTO VIENE PREMUTO A METÀ, si potrebbe verificare una chiodatura inaspettata se si lascia ricontattare l'elemento di contatto con il pezzo o con l'altra superficie sotto l'effetto del contraccolpo. Per evitare il contraccolpo, procedere come di seguito:
- A. Non posizionare l'elemento di contatto sul pezzo esercitando una forza eccessiva.
 - B. Premere completamente il grilletto interruttore e mantenerlo premuto per 1 o 2 secondi dopo la chiodatura.

Inceppamento della chiodatrice (Fig. 16)

ATTENZIONE:

- Staccare sempre il tubo dell'aria e rimuovere i chiodi dal caricatore prima di sbloccare un inceppamento. Quando la chiodatrice si inceppa, procedere come segue: Aprire il coperchio del caricatore e rimuovere la bobina di chiodi. Inserire un'asticciola o un altro oggetto simile nel foro di espulsione, quindi dare dei colpi con un martello per fare uscire il chiodo inceppato dal foro di espulsione. Riposizionare la bobina di chiodi e chiudere il coperchio del caricatore.

Chiodi (Fig. 17)

Maneggiare con cura la bobina di chiodi e la relativa scatola. Se i chiodi sono stati maneggiati in modo errato, potrebbero essere deformati o staccati, causando un'alimentazione scorretta dei chiodi.

Non conservare i chiodi in un luogo molto umido o caldo. Non esporli alla luce diretta del sole. (Fig. 18)

MANUTENZIONE

ATTENZIONE:

- Staccare sempre il tubo prima di eseguire un'operazione di controllo o di manutenzione.

Pulizia e rimozione di sporcizia

L'aderenza della sporcizia alle aree intorno all'elemento di contatto impedisce il movimento scorrevole dell'elemento di contatto (meccanismo di sicurezza), causando una scarica accidentale. Pulire periodicamente le aree intorno all'elemento di contatto.

Usare un solvente come il kerosene, l'olio combustibile #2 o il diesel combustibile.

Immergere nel solvente solo l'elemento di contatto e le parti intorno al foro di espulsione, quindi rimuovere lo sporco con una spazzola. Indossare sempre appositi guanti a tenuta stagna per proteggere le mani. Non immergere mai l'alloggiamento, il caricatore, ecc. nel solvente. Si potrebbe verificare il malfunzionamento dell'utensile. Avere sempre a disposizione solventi da usare in maniera sicura e prudente e in conformità con le normative locali e nazionali richieste. (Fig. 19)

Asciugare l'utensile prima dell'uso. Eventuali residui d'olio rimasti dopo la pulizia accelerano l'accumulazione di sporco, quindi l'utensile richiederà operazioni di pulizia più frequenti. Dopo aver asciugato l'utensile, oliare le parti mobili per evitare che arrugginiscono e garantire una buona lubrificazione e operatività o parti mobili.

AVVERTENZA:

- Non usare mai benzina o altri liquidi altamente volatili per la pulizia. I vapori di tali liquidi potrebbero entrare nell'utensile e le scintille prodotte durante l'attività di inchiodatura potrebbero farli incendiare e causare un'esplosione.

Manutenzione della chiodatrice

Prima dell'uso, controllare sempre le condizioni generali dell'utensile e l'eventuale presenza di viti allentate.

Serrarle, se necessario. (Fig. 20)

Con l'utensile staccato, controllare quotidianamente che l'elemento di contatto e il grilletto si muovano liberamente.

Non usare l'utensile se l'elemento di contatto o il grilletto rimangono incollati o bloccati. (Fig. 21)

Se non si intende usare l'utensile per un lungo periodo di tempo, lubrificarlo usando l'olio pneumatico e conservarlo in un posto sicuro. Evitare l'esposizione alla luce diretta del sole e/o di conservare l'utensile in un posto umido o caldo. (Fig. 22 e 23).

Manutenzione compressore, gruppo e tubo aria (Fig. 24 e 25)

Dopo l'uso, scaricare sempre il serbatoio del compressore e il filtro dell'aria. Se nell'utensile entra umidità, si potrebbe verificare uno scadimento delle prestazioni ed anche un guasto dell'utensile.

Controllare regolarmente che nell'oliatore del gruppo aria sia presente olio pneumatico a sufficienza. Una lubrificazione insufficiente causa la rapida usura degli anelli di tenuta. (Fig. 26)

Tenere il tubo dell'aria lontano dal calore (oltre 60°C) e dalle sostanze chimiche (solventi, acidi o alcali forti).

Inoltre, disporre il tubo dove non sono presenti ostacoli sui quali potrebbe pericolosamente impigliarsi durante il lavoro.

I tubi devono anche essere tenuti lontano dai bordi taglienti e dai punti che potrebbero danneggiarli o causarne l'abrasione. (Fig. 27)

Per mantenere la SICUREZZA e l'AFFIDABILITÀ del prodotto, le riparazioni e qualsiasi altra operazione di manutenzione o regolazione devono essere eseguiti dai centri di assistenza autorizzati Makita utilizzando sempre parti di ricambio Makita.

ACCESSORI

ATTENZIONE:

- Si raccomanda di usare questi accessori per l'utensile Makita descritto in questo manuale. L'uso di qualsiasi altro accessorio potrebbe provocare lesioni personali. Utilizzare gli accessori esclusivamente per l'uso dichiarato.

Per l'assistenza e ulteriori informazioni su tali accessori, rivolgersi al centro di assistenza Makita più vicino.

- Chiodi
- Tubi dell'aria
- Occhiali di protezione

DICHIARAZIONE DI CONFORMITÀ CE

ENH013-5

Dichiariamo sotto nostra esclusiva responsabilità che il presente prodotto è conforme alle seguenti norme o documenti normativi:
EN792 secondo le disposizioni delle direttive del Consiglio, 98/37/CE.

CE 2007



Tomoyasu Kato
Direttore

Produttore responsabile:

Makita Corporation

3-11-8, Sumiyoshi-cho, Anjo, Aichi, GIAPPONE

Rappresentanti autorizzati in Europa:

Makita International Europe Ltd.

Michigan Drive, Tongwell, Milton Keynes, Bucks MK15 8JD, INGHILTERRA

Verklaring van algemene gegevens

- | | | |
|---|---|---------------------------------------|
| 1. Compressorluchttopbrengst per minuut | 12. Magazijnindexel | 24. Nagel |
| 2. Nagelsnelheid (nagels/min.) | 13. Vergrendelingshendel | 25. Vocht |
| 3. Olie voor pneumatisch gereedschap | 14. Stripsteunplaat | 26. Hitte |
| 4. Stelring | 15. Schaalverdeling | 27. Borstel |
| 5. Haak | 16. Pijlpunt | 28. Aftapkraantje |
| 6. Contactschoen | 17. Toevoerklauw | 29. Luchtfilter |
| 7. Shinglegeleider | 18. Persluchtaansluiting (op gereedschap) | 30. Smeerinrichting |
| 8. Shingle | 19. Persluchtaansluiting (aan slang) | 31. Olie voor pneumatisch gereedschap |
| 9. Uitsteeksel | 20. Trekker | 32. Thinner |
| 10. Afstelplaat | 21. Contactarm | 33. Verwarming |
| 11. Hendel | 22. Dunne stang | |
| | 23. Schietmond | |

TECHNISCHE GEGEVENS

Model	AN453
Luchtdruk	0,44 t/m 0,83 MPa (4,4 t/m 8,3 bar)
Nagellengte	19 mm t/m 45 mm
Nagelcapaciteit	120 stuks
Min. slangdiameter	6,5 mm
Olie voor pneumatisch gereedschap	Turbineolie
Afmetingen (L x H x B)	265 mm x 269 mm x 117 mm
Netto gewicht	2,4 kg

- Als gevolg van ons doorlopende onderzoeks- en ontwikkelingsprogramma, zijn de technische gegevens van dit gereedschap onderhevig aan veranderingen zonder voorafgaande kennisgeving.
- Opmerking: De technische gegevens kunnen van land tot land verschillen.

Symbolen

END101-1

Hieronder staan de symbolen die voor dit gereedschap worden gebruikt. Zorg ervoor dat u weet wat ze betekenen alvorens het gereedschap te gebruiken.



..... Lees de gebruiksaanwijzing.



..... Draag een veiligheidsbril.

Gebruiksdoeleinden

ENE059-1

Dit gereedschap is bedoeld voor het uitvoeren van voorbereidende werkzaamheden binnenshuis, zoals het vastzetten van vloerbalken of daksporen, en voor het maken van 2" x 4"-frames in huizenbouw.

BELANGRIJKE VEILIGHEIDSinSTRUCTIES

ENB090-2

WAARSCHUWING: TIJDENS HET GEBRUIK VAN DIT GEREEDSCHAP DIENEN ALTIJD DE BASISVEILIGHEIDSVoorzorgen te worden getroffen om de risico's van persoonlijk letsel, waaronder de volgende, te verkleinen:

LEES ALLE INSTRUCTIES.

- Omwille van uw persoonlijke veiligheid en de juiste werking en onderhoud van het gereedschap, leest u

deze gebruiksaanwijzing alvorens het gereedschap te gebruiken.

- Draag altijd een veiligheidsbril om uw ogen te beschermen tegen letsel door stof of nagels.
WAARSCHUWING: Het is de verantwoordelijkheid van de werkgever om ervoor te zorgen dat veiligheidsmiddelen voor oogbescherming gebruikt worden door de gebruikers van het gereedschap en anderen in de onmiddellijke omgeving van de werkplek.
- Draag gehoorbescherming om uw oren te beschermen tegen het uitlaatgeluid en als hoofdbescherming. Draag tevens lichte maar geen losse kleding. Manchetten moeten dichtgeknoopt zijn of de mouwen moeten worden opgerold. Draag geen stropdas.
- Haast tijdens de werkzaamheden of het gereedschap dwingen is gevaarlijk. Wees voorzichtig wanneer u het gereedschap hanteert. Bedien het gereedschap niet onder invloed van alcohol, drugs en dergelijke.
- Algemene richtlijnen voor het hanteren van het gereedschap
 - (1) Ga er altijd vanuit dat in het gereedschap nagels zitten.
 - (2) Richt het gereedschap niet op uzelf of anderen, ongeacht of er nagels in zitten of niet.
 - (3) Schakel het gereedschap niet in als dit niet stevig tegen het werkstuk wordt gedrukt.
 - (4) Respecteer het gereedschap als werkinstrument.
 - (5) Speel er niet mee.

- (6) Draag het gereedschap niet met een vinger om de trekker.
 - (7) Laad geen nagels in het gereedschap wanneer een van de bedieningsschakelaars is ingeschakeld.
 - (8) Bedien het gereedschap niet met een andere voedingsbron dan die is aangegeven in de bedienings- en veiligheidsinstructies van dit gereedschap.
- Als het gereedschap niet juist werkt, mag het niet worden gebruikt.
 - Tijdens het gebruik van het gereedschap kunnen soms vonken wegspringen. Gebruik het gereedschap niet in de buurt van vluchtige, brandbare materialen, zoals benzine, thinner, verf, gas, lijm, enz., omdat deze kunnen ontketen en exploderen, waarbij ernstig letsel kan worden veroorzaakt.
 - De werkplek moet voldoende worden verlicht om een veilige bediening te garanderen. De werkplek moet schoon en vrij van afval zijn. Zorg ervoor dat u stevig staat en uw evenwicht goed bewaart.
 - Alleen personen die betrokken zijn bij de werkzaamheden mogen in de buurt van de werkplek komen. Met name kinderen moeten altijd uit de buurt worden gehouden.
 - Er kunnen plaatselijk regels gelden met betrekking tot geluid, waaraan u zich dient te houden door de geluidsproductie onder het voorgeschreven niveau te houden. In bepaalde gevallen moeten geluidsschermen worden gebruikt om het geluidsniveau te beperken.
 - Speel niet met de contactschoen: het voorkomt per ongeluk nagelen, dus moet het blijven zitten en mag niet worden verwijderd. De trekker in ingeschakelde stand vergrendelen is ook erg gevaarlijk. Probeer nooit de trekker vast te zetten. Bedien het gereedschap niet als enig onderdeel van de bedieningselementen van het gereedschap niet kan worden bediend, is losgekoppeld, gewijzigd of niet goed werkt.
 - Gebruik het gereedschap binnen het opgegeven luchtdrukgebied van 0,44 t/m 0,83 MPa (4,4 t/m 8,3 bar) vanwege de veiligheid en een langere levensduur van het gereedschap. Overschrijdt de aanbevolen maximumwerkdruk van 0,83 MPa (8,3 bar) niet. Het gereedschap mag niet worden aangesloten op een bron waarvan de druk 1,37 MPa (13,7 bar) kan overschrijden.
 - Zorg ervoor dat de druk die door het persluchtstelsel wordt geleverd, niet de maximaal toelaatbare druk van het bevestigingsaandrijfgereedschap overschrijdt. Stel de luchtdruk in eerste instantie in op de laagste waarde van de aanbevolen toelaatbare luchtdruk (zie "TECHNISCHE GEGEVENS").
 - Gebruik het gereedschap nooit met iets anders dan perslucht. Als flessengas (koolstofdioxide, zuurstof, stikstof, waterstof, lucht, enz.) of brandbaar gas (waterstof, propaan, acetyleen, enz.) als voeding van dit gereedschap wordt gebruikt, zal het gereedschap exploderen en ernstig letsel veroorzaken.
 - Controleer voor gebruik het gereedschap altijd eerst op algehele conditie en loszittende schroeven. Draai deze zodanig vast.
 - Controleer voor gebruik dat alle beveiligingssystemen goed werken. Het gereedschap mag niet werken als
 - alleen de trekker wordt ingeknepen of als alleen de contactschoen op het hout wordt gedrukt. Het gereedschap mag alleen werken als beide handelingen tegelijkertijd worden uitgevoerd. Test op mogelijke defecte werking wanneer geen nagels zijn geladen en de aandrukker helemaal uitgetrokken is.
- Controleer muren, plafonds, vloeren en dergelijke grondig om te voorkomen dat door het nagelen in elektrische draden, pijpen of gasleidingen een elektrische schok, gaslek, explosie, enz. kan ontstaan.
 - Gebruik uitsluitend nagels die in deze gebruiksaanwijzing worden aangegeven. Door een ander soort nagels te gebruiken, kan een storing in het gereedschap worden veroorzaakt.
 - Gebruik nooit elektrisch bevestigingsgereedschap met daarop het symbool "Niet gebruiken op steigers en ladders" bij bepaalde toepassingen, bijvoorbeeld:
 - als bij het veranderen van een werkplek naar de volgende, gebruik gemaakt wordt van een steiger, trap, ladder of soortgelijke constructies, bijv. daklatten;
 - bij het sluiten van dozen of kratten, en
 - bij het monteren van transportbeveiligingssystemen, bijv. op voertuigen en aanhangers.
 - Laat personen zonder onderricht het gereedschap niet gebruiken.
 - Controleer voor het nagelen dat niemand dichtbij staat. Probeer nooit tegelijkertijd van binnenuit en van buitenaf te nagelen. De nagels kunnen er dwars doorheen schieten of afketsen en een groot gevaar opleveren.
 - Zorg ervoor dat u tijdens het gebruik van het gereedschap stevig staat en uw evenwicht goed bewaart. Controleer dat er niemand onder u staat wanneer u op een hoge plaats werkt, en maak de persluchtslang vast om gevaarlijke situaties te voorkomen als er plotseling aan wordt getrokken of deze bekneld raakt.
 - Op daken en andere hoge plaatsen nagelt u terwijl u voorwaarts beweegt. U glijdt gemakkelijk weg als u nagelt terwijl u achterwaarts kruipt. Als u in een rechtopstaande ondergrond nagelt, nagelt u van boven naar beneden. U kunt op deze manier nagelen zonder snel vermoeid te raken.
 - Een nagel zal krom gaan of het gereedschap kan vastlopen als u per ongeluk bovenop een andere nagel of in een knoest in het hout nagelt. De nagel kan wegschieten en iemand raken, of het gereedschap zelf kan gevaarlijk terugstaan. Kies de plaats voor de nagel met zorg.
 - Laat het geladen gereedschap of de luchtcompressor niet onder druk gedurende een lange tijd in de zon liggen. Zorg ervoor dat stof, zand, houtsnippers en vreemde stoffen niet kunnen binnendringen in het gereedschap op de plaats waar u het laat liggen.
 - Richt de schietmond nooit op iemand in de buurt. Houd handen en voeten uit de buurt van de schietmond.
 - Als de persluchtslang is aangesloten, draagt u het gereedschap niet met uw vinger om de trekker en geeft u het gereedschap niet op deze manier aan iemand anders. Als de trekker per ongeluk wordt ingeknepen, ontstaat een uiterst gevaarlijke situatie.
 - Hanteer het gereedschap voorzichtig, aangezien er binnenin het gereedschap een hoge druk is die gevaar

oplevert als een barst ontstaat door grove behandeling (laten vallen of stoten). Probeer niet in het gereedschap te snijden of graven.

- Stop onmiddellijk met nagelen als u een probleem of iets vreemds opmerkt aan het gereedschap.
- Koppel altijd de perslucht slang los en verwijder alle nagels:
 - (9) Als u het gereedschap alleen achterlaat;
 - (10) Alvorens enige onderhouds- of reparatiewerkzaamheden uit te voeren;
 - (11) Alvorens een verstopping op te lossen, en
 - (12) Alvorens het gereedschap naar een andere plaats over te brengen.
- Voer de reinigings- en onderhoudswerkzaamheden uit onmiddellijk nadat het werk is voltooid. Houd het gereedschap in opperbeste conditie. Smeer bewegende delen om roesten te voorkomen en slijtage door wrijving te minimaliseren. Veeg alle stof van de onderdelen af.
- Wijzig het gereedschap niet zonder toestemming van Makita.
- Vraag een erkend Makita-servicecentrum regelmatig het gereedschap te inspecteren.
- Om de VEILIGHEID en BETROUWBAARHEID van het gereedschap te handhaven, dienen alle reparaties en onderhoud te worden uitgevoerd door een erkend Makita-servicecentrum, en altijd met gebruikmaking van originele Makita-ervangingsonderdelen.
- Gebruik uitsluitend olie voor pneumatisch gereedschap die in deze gebruiksaanwijzing wordt aangegeven.
- Sluit het gereedschap nooit aan op een persluchtleiding die de maximaal toegelaten druk van het gereedschap niet met 10% kan overschrijden. Zorg ervoor dat de druk die door het persluchtstelsel wordt geleverd, niet de maximaal toelaatbare druk van het bevestigingsaandrijfgereedschap overschrijdt. Stel de luchtdruk in eerste instantie in op de laagste waarde van de aanbevolen toelaatbare luchtdruk.
- Probeer niet de contactshoens voortdurend ingedrukt te houden met tape of draad. Dit kan leiden tot de dood of ernstig letsel.
- Controleer altijd de contactshoens volgens de instructies in deze gebruiksaanwijzing. Als het veiligheidsmechanisme niet goed werkt, kunnen nagels per ongeluk worden geschoten.

Bewaar deze instructies

Het juiste gereedschap kiezen

Een compressor kiezen (zie afb. 1)

De luchtcompressor moet voldoen aan de vereisten van EN60335-2-34.

Kies een compressor die ruim voldoende luchtdruk en luchttopbrengst levert om verzekerd te zijn van een kostenefficiënte werking. De grafiek geeft de relatie aan tussen de nagelsnelheid, toepasselijke luchtdruk en compressorluchttopbrengst.

Als bijvoorbeeld het nagelen ongeveer 40 keer per minuut wordt uitgevoerd met een luchtdruk van 0,69 MPa (6,9 bar), is een compressor met een luchttopbrengst van meer dan 60 l/min vereist.

Als de toegevoerde luchtdruk hoger is dan de nominale luchtdruk van het gereedschap, moeten drukregulators worden gebruikt om de luchtdruk te beperken tot de nominale luchtdruk van het gereedschap. Als u dit niet doet kunnen de gebruiker van het gereedschap en personen in de buurt ernstig letsel oplopen.

De perslucht slang kiezen (zie afb. 2)

Gebruik een zo groot en kort mogelijke perslucht slang om verzekerd te zijn van ononderbroken en efficiënt nagelen. Bij een luchtdruk van 0,49 MPa (4,9 bar), wordt een perslucht slang met een inwendige diameter van minimaal 6,5 mm (1/4 inch) en een lengte van maximaal 20 m aanbevolen wanneer het interval tussen twee nagels 0,5 seconde is. Perslucht slangen moeten een nominale minimumwerkdruk hebben van 1,03 MPa (10,3 bar) of 150 procent van de maximumdruk die door het systeem wordt geleverd, al naar gelang welke hoger is.

LET OP:

- Als de compressorluchttopbrengst lager is, of de lucht slang een kleinere inwendige diameter heeft of langer is in verhouding tot de nagelsnelheid, kan het nagelvermogen van het gereedschap teruglopen.

Smeren (zie afb. 3)

Om van maximale prestaties verzekerd te zijn, monteert u een luchtset (smeerinrichting, drukregulator, luchtfilter) zo dicht mogelijk bij het gereedschap. Stel de smerinrichting zodanig in dat voor iedere 30 nagels een druppel smeerolie wordt geleverd.

Als geen luchtset wordt gebruikt, smeert u het gereedschap met olie voor pneumatisch gereedschap door twee (2) of drie (3) druppels in het lucht aansluiting aan te brengen. U dient dit voor en na ieder gebruik te doen. Voor een goede smering moet het gereedschap enkele keren worden bediend nadat de olie voor pneumatisch gereedschap is aangebracht (zie afb. 4).

Beschrijving van de functies

LET OP:

- Koppel altijd de perslucht slang los voordat u de werking van het gereedschap controleert of afstelt.

Nageldiepte instellen (zie afb. 5)

Draai de stelling om de nageldiepte in te stellen. De nageldiepte is het grootst wanneer de stelling zo ver mogelijk in richting A, aangegeven in de afbeelding, is gedraaid. De diepte wordt geringer naarmate de stelling in richting B wordt gedraaid. Als de nagels niet diep genoeg worden geschoten, zelfs niet terwijl de stelling zo ver mogelijk in richting A is gedraaid, verhoogt u de luchtdruk. Als de nagels te diep worden geschoten, zelfs niet terwijl de stelling zo ver mogelijk in richting B is gedraaid, verlaagt u de luchtdruk. Algemeen gesproken, gaat het gereedschap langer mee als het wordt gebruikt met een lagere luchtdruk en de stelling is ingesteld op een geringere nageldiepte.

LET OP:

- Koppel altijd de perslucht slang los voordat u de nageldiepte controleert.

Haak (zie afb. 6)

LET OP:

- Koppel altijd de perslucht slang los van het gereedschap.
 - Hang het gereedschap niet op aan de haak op een hoge plaats of op een mogelijk instabiele ondergrond.
- De haak is handig om het gereedschap tijdelijk aan op te hangen.

De shinglegeleider instellen (zie afb. 7 en 8)

De shinglegeleider is bedoeld voor een regelmatig uiterlijk van de shingles. Plaats de shingles in de gewenste positie.

Draai de hendel rechtsom om de afstelplaat los te zetten. Stel het gereedschap opnieuw in op de blootliggende shingle waarbij de uitsteeksels van de contactschoen op de onderrand van de voorgaande rij shingles drukken. Schuif de afstelplaat tegen de onderrand van de blootliggende shingle en draai de hendel linksom om de afstelplaat te vergrendelen.

ONDERDELEN AANBRENGEN/VERWIJDEREN

LET OP:

- Koppel altijd de perslucht slang los voordat u enige werkzaamheden aan het gereedschap verricht.

Nagels laden (zie afb. 9)

Kies nagels die geschikt zijn voor uw werk. Duw de vergrendelingshendel omlaag en open het deksel van het magazijn.

Til de stripsteunplaat op en draai deze zodat de pijl van de nagelgrootte aangegeven op de stripsteunplaat in de richting wijst van de overeenkomstige maat van de schaalverdeling op het magazijn. Als het gereedschap wordt bediend terwijl de stripsteunplaat in de verkeerde stand staat, kan dit leiden tot een slechte nagelaanvoer of een storing van het gereedschap (zie afb. 10).

Plaats de nagelstrip op de stripsteunplaat. Wind de nagelstrip voldoende af om de toevoerklauw te bereiken. Plaats de eerste nagel in het stootkanaal en de tweede nagel in de toevoerklauw.

Plaats andere afgewikkelde nagels op het toevoerhuis. Sluit het deksel van het magazijn nadat u hebt gecontroleerd dat de nagelstrip goed in het magazijn is geplaatst (zie afb. 11).

De perslucht slang aansluiten (zie afb. 12)

Schuif de aansluiting van de perslucht slang op de aansluiting van de nagelaandrijver. Zorg ervoor dat beide aansluitingen stevig op elkaar worden vergrendeld. De slangkoppeling moet op of vlakbij het gereedschap worden gemonteerd op een zodanige manier dat op het moment dat de persluchtkoppeling wordt losgekoppeld, de luchtdruktank leeg loopt.

BEDIENING

LET OP:

- Controleer voor gebruik dat alle beveiligingssystemen goed werken.

1. Om te nagelen drukt u eerst de contactschoen tegen het werkstuk en knijpt u daarna de trekker in (zie afb. 13 en 14) of...
 2. ...knijpt u eerst de trekker in en drukt u daarna het contactschoen tegen het werkstuk.
- Werkwijze 1 is voor onderbroken nagelen wanneer u een nagel voorzichtig en zeer nauwkeurig wilt schieten. Werkwijze 2 is voor ononderbroken nagelen.

LET OP:

- Voorkom dat het gereedschap wordt bediend zonder dat er nagels in zitten omdat hierdoor de levensduur van het gereedschap wordt verkort.

Voor onderbroken nagelen (accessoire)

Om te nagelen drukt u eerst de contactschoen tegen het werkstuk en knijpt u daarna de trekker in (zie afb. 15).

LET OP:

- MET DE TREKKER IN DE HALF-INGEKNEPEN STAND kan het nietpistool onverwachts een nagel schieten als de contactschoen door de terugslag nogmaals in aanraking komt met het werkstuk of een ander oppervlak. Om dergelijk per ongeluk nagelen te voorkomen, gaat u als volgt te werk:
 - A. Duw de contactschoen niet met grote kracht tegen het werkstuk.
 - B. Knijp de trekker volledig in en houd deze na het nagelen gedurende een tot twee seconden ingeknepen.

Vastgelopen nagel (zie afb. 16)

LET OP:

- Alvorens een vastgelopen nagel te verwijderen, koppelt u altijd eerst de perslucht slang los en haalt u de nagelstrip uit het magazijn.

Wanneer het nagelpistool vastloopt, gaat u als volgt te werk:

Open het deksel van het magazijn en verwijder de strip nagels. Steek een dunne stang of iets dergelijks in de schietmond en tik er met een hamer op om de vastgelopen nagel via de schietmond te verwijderen. Plaats de nagelstrip terug en sluit het deksel van het magazijn.

Nagels (zie afb. 17)

Wees voorzichtig bij het hanteren van de nagelstrips en de doos ervan. Als de nagelstrips grof behandeld worden, kunnen ze vervorm worden of breken waardoor een slechte nageltoevoer ontstaat.

Voorkom dat nagels worden opgeslagen in een zeer vochtige of warme ruimte of op een plek die is blootgesteld aan direct zonlicht (zie afb. 18).

ONDERHOUD

LET OP:

- Koppel de perslucht slang altijd los van het gereedschap alvorens inspectie- of onderhoudswerkzaamheden uit te voeren.

Teer en vuil reinigen en verwijderen

Als teer of vuil rondom de contactschoen aan het gereedschap blijft kleven, zal de vrije beweging van de contactschoen (veiligheidsmechanisme) gehinderd

worden, waardoor per ongeluk kan worden genageld. Reinig het gebied rondom de contactschoen regelmatig. Gebruik een oplosmiddel zoals kerosine, brandstofolie nr. 2 of dieselolie.

Dompel alleen de contactschoen en het gebied rondom de schietmond in het oplosmiddel en verwijder de teer en het vuil met een borstel. Draag altijd waterdichte handschoenen om uw handen te beschermen. Dompel nooit de behuizing, het magazijn, enz., in het oplosmiddel. Hierdoor kan een storing in het gereedschap optreden. Gooi het verbruikte oplosmiddel altijd op een veilige en verantwoorde manier weg in overeenstemming met plaatselijke regelgeving en nationale wetgeving (zie **afb. 19**).

Droog het gereedschap af alvorens het weer te gebruiken. Als na het reinigen een vellaagje achterblijft, zal teer en vuil zich sneller weer op het gereedschap kunnen vastzetten, waardoor het gereedschap vaker gereinigd moet worden. Nadat het gereedschap droog is, smeert u de bewegende delen om roesten te voorkomen en zeker te zijn van een goede smering en werking van de bewegende delen.

WAARSCHUWING:

- Gebruik nooit benzine of andere zeer vluchtige vloeistoffen voor het reinigen. Dampen van dergelijke vloeistoffen kunnen in het gereedschap binnendringen en door vonken worden ontstoken, waardoor een explosie ontstaat.

Onderhoud van nagelpistool

Controleer voor gebruik het gereedschap altijd eerst op algehele conditie en loszittende schroeven. Draai deze zonodig vast (zie **afb. 20**).

Inspecteer het gereedschap dagelijks met losgekoppelde perslucht slang op vrije beweging van de contactmond en trekker. Gebruik het gereedschap niet als de contactmond of trekker vastloopt of klemt (zie **afb. 21**).

Wanneer het gereedschap gedurende een lange tijd niet gebruikt gaat worden, smeert u het gereedschap met olie voor pneumatisch gereedschap en bewaart u het gereedschap op een veilige plaats. Voorkom blootstelling aan direct zonlicht en/of een vochtige of warme omgeving (zie **afb. 22 en 23**).

Onderhoud aan de compressor, luchtset en perslucht slang (zie **afb. 24 en 25)**

Na gebruik moet altijd de luchtdruktank en het luchtfilter van de compressor worden afgetapt. Als vocht in het gereedschap kan binnendringen, kan dit leiden tot slechte prestaties en mogelijk defect van het gereedschap. Controleer regelmatig om te zien of er voldoende pneumatische olie in de smerinrichting van de luchtset zit. Als u niet voor voldoende smering zorgt, zullen de O-ringen snel slijten (zie **afb. 26**).

Houd de perslucht slang uit de buurt van warmte (meer dan 60 °C) en uit de buurt van chemicaliën (verdunner, sterke zuren of basen). Houd de perslucht slang ook uit de buurt van obstakels waarachter deze kan haken tijdens gebruik om gevaarlijke situaties te voorkomen. De perslucht slang moet tevens uit de buurt worden gehouden van scherpe randen en plaatsen die aanleiding kunnen geven tot beschadiging of schuren van de perslucht slang (zie **afb. 27**).

Om de VEILIGHEID en BETROUWBAARHEID van het gereedschap te handhaven, dienen alle reparaties, onderhoud en afstellingen te worden uitgevoerd door een erkend Makita-servicecentrum, en altijd met gebruikmaking van originele Makita- vervangingsonderdelen.

ACCESSOIRES

LET OP:

- Deze accessoires of hulpstukken worden aanbevolen voor gebruik met het Makita-gereedschap dat in deze gebruiksaanwijzing wordt beschreven. Het gebruik van andere accessoires of hulpstukken kan gevaar voor persoonlijk letsel opleveren. Gebruik de accessoires of hulpstukken uitsluitend voor de aangegeven gebruiksdoeleinden.

Mocht u meer informatie willen hebben over deze accessoires, dan kunt u contact opnemen met uw plaatselijke Makita-servicecentrum.

- Nagels
- Perslucht slangen
- Veiligheidsbril

EU-VERKLARING VAN CONFORMITEIT ENH013-5

Wij verklaren onder eigen verantwoordelijkheid dat dit product voldoet aan de normen in de volgende documenten:

EN792 in overeenstemming met de richtlijnen van de Raad, 98/37/EC.

CE 2007



Tomoyasu Kato
Directeur

Verantwoordelijke fabrikant:

Makita Corporation

3-11-8, Sumiyoshi-cho, Anjo, Aichi, JAPAN

Erkende vertegenwoordiger voor Europa:

Makita International Europe Ltd.

Michigan Drive, Tongwell, Milton Keynes, Bucks MK15 8JD, ENGELAND

Descripción y visión general

- | | | |
|---|-----------------------------------|---------------------------------------|
| 1. Salida de aire comprimido por minuto | 11. Palanca | 24. Clavo |
| 2. Frecuencia de clavado (veces/min) | 12. Tapa del depósito alimentador | 25. Humedad |
| 3. Aceite para la herramienta neumática | 13. Palanca de pestillo | 26. Calor |
| 4. Regulador | 14. Placa de soporte de la bobina | 27. Cepillo |
| 5. Gancho | 15. Graduación | 28. Grifo de drenaje |
| 6. Elemento de contacto | 16. Flecha | 29. Filtro de aire |
| 7. Guía de tejado | 17. Garra de alimentación | 30. Aceitero |
| 8. Tejado | 18. Conector de aire | 31. Aceite de herramientas neumáticas |
| 9. Saliente | 19. Toma de aire | 32. Disolvente |
| 10. Placa de ajuste | 20. Disparador | 33. Estufa |
| | 21. Brazo de contacto | |
| | 22. Varilla pequeña | |
| | 23. Puerto de expulsión | |

ESPECIFICACIONES

Modelo	AN453
Presión del aire	0,44 - 0,83 Mpa (4,4 - 8,3 bares)
Longitud del clavo	19 mm - 45 mm
Capacidad de clavos	120 piezas
Diámetro mínimo de la manguera	6,5 mm
Aceite para la herramienta neumática	Aceite para turbinas
Dimensiones (La X Al X An)	265 mm X 269 mm X 117 mm
Peso neto	2,4 kg

- Debido a nuestro programa continuo de investigación y desarrollo, las especificaciones aquí descritas están sujetas a cambios sin previo aviso.
- Nota: Las especificaciones pueden ser diferentes de un país a otro.

Símbolos END101-1

Se utilizan los siguientes símbolos para el equipo. Asegúrese de que comprende su significado antes del uso.



..... Lea el manual de instrucciones.



..... Utilice gafas de seguridad.

Uso previsto ENE059-1

La herramienta está pensada para trabajo interior preliminar, como fijar vigas de piso o vigas comunes y trabajo en estructuras en cubiertas de 2 "x 4".

INSTRUCCIONES DE SEGURIDAD IMPORTANTES ENB090-2

ADVERTENCIA: CUANDO SE UTILICE ESTA HERRAMIENTA SIEMPRE DEBEN TOMARSE PRECAUCIONES DE SEGURIDAD PARA REDUCIR EL RIESGO DE LESIONES PERSONALES, INCLUYENDO LAS SIGUIENTES:

LEA TODAS LAS INSTRUCCIONES

- Por su seguridad personal y para una utilización y un mantenimiento correctos de la herramienta, lea este manual de instrucciones antes de utilizar la herramienta.

- Utilice siempre gafas de seguridad para proteger sus ojos del polvo o de lesiones provocadas por clavos.
ADVERTENCIA:
Es responsabilidad del empleador garantizar que los operarios de la herramienta y otras personas de la zona de trabajo inmediata utilicen equipo de protección ocular.
- Utilice protección para la cabeza y protección para los oídos para protegerlos de los ruidos de escape. Asimismo, lleve ropa ligera pero no suelta. Las mangas deben estar abotonadas o arremangadas. No debe llevarse corbata.
- Es peligroso apresurar el trabajo o forzar la herramienta. Maneje la herramienta con cuidado. No la utilice bajo la influencia del alcohol, drogas o sustancias similares.
- Pautas generales de manejo de la herramienta:
 - (1) Asuma siempre que la herramienta contiene clavos.
 - (2) No se apunte a usted mismo ni a nadie más con la herramienta, tanto si contiene clavos como si no.
 - (3) No active la herramienta a menos que la tenga puesta firmemente contra la pieza de trabajo.
 - (4) Trate a la herramienta como un útil de trabajo.
 - (5) No juegue con la herramienta.
 - (6) No coja ni transporte la herramienta con el dedo en el disparador.

- (7) No cargue clavos en la herramienta estando cualquiera de los controles de operación activado.
 - (8) No utilice la herramienta con ninguna otra fuente de alimentación distinta a la especificada en las instrucciones de funcionamiento/seguridad de la herramienta.
- No se debe utilizar una herramienta que no funcione debidamente.
 - Pueden saltar chispas cuando se utiliza la herramienta. No utilice la herramienta cerca de materiales inflamables o volátiles, como gasolina, disolvente, pintura, gas, adhesivos, etc., ya que pueden encenderse, explotar y causar lesiones graves.
 - El área debe estar suficientemente iluminada para asegurar una utilización segura. El área deberá estar despejada y libre de desechos. Tenga especial cuidado de mantener los pies sobre suelo firme y en equilibrio.
 - En la proximidad solamente deben estar aquellas personas implicadas en el trabajo. Especialmente los niños deben mantenerse alejados en todo momento.
 - Puede haber reglamentos locales concernientes al ruido que habrá que cumplir manteniendo los niveles de ruido dentro de los límites establecidos. En ciertos casos, se deberán utilizar celosías para contener el ruido.
 - No juegue con el elemento de contacto: previene la descarga accidental, por lo que se debe mantener activado y colocado en su sitio. También es muy peligroso fijar el disparador en la posición ON (activado). No intente nunca atar el disparador. No utilice la herramienta si cualquier porción de los controles de operación de la herramienta está inoperable, desconectada, modificada, o no funciona correctamente.
 - Utilice la herramienta dentro de la presión de aire especificada de 0,44 - 0,83 MPa (4,4 - 8,3 bares) por seguridad y para prolongar la vida de la herramienta. No exceda la presión de funcionamiento máxima recomendada de 0,83 MPa (8,3 bares). La herramienta no debe conectarse a una fuente cuya presión pueda sobrepasar 1,37 MPa (13,7 bares).
 - Asegúrese de que la presión suministrada por el sistema de aire comprimido no exceda la presión máxima permitida de la clavadora. Ajuste la presión de aire inicialmente a un valor inferior a la presión permitida recomendada (consulte las ESPECIFICACIONES).
 - No utilice nunca la herramienta con nada que no sea aire comprimido. Si se utiliza gas (dióxido de carbono, oxígeno, hidrógeno, aire, etc.) o gas combustible (hidrógeno, propano, acetileno, etc.) embotellado como fuente de alimentación para esta herramienta, la herramienta explotará y ocasionará graves heridas.
 - Compruebe siempre la herramienta antes de su uso para ver su estado general y si hay tornillos sueltos. Apriete según sea necesario.
 - Asegúrese de que todos los sistemas de seguridad están en condiciones de funcionamiento antes de su utilización. La herramienta no debe funcionar si sólo se tira del disparador o si sólo se presiona el brazo de contacto contra la madera. Solamente debe funcionar cuando se realicen ambas acciones. Haga una prueba sin clavos cargados y con el empujador en la posición totalmente presionada para ver si hay algún posible fallo de funcionamiento.
 - Compruebe las paredes, techos, suelos, techumbres y elementos similares con cuidado para evitar descargas eléctricas, fugas de gas, explosiones, etc., ocasionadas por el contacto con cables con tensión, conductos o tuberías de gas.
 - Utilice solamente los clavos especificados en este manual. La utilización de otros clavos puede ocasionar un mal funcionamiento de la herramienta.
 - No utilice nunca clavadoras de clavos marcadas con el símbolo de "No utilizar en andamios, escaleras de mano" para aplicaciones específicas, por ejemplo:
 - cuando el cambio de un lugar de clavado a otro implique la utilización de andamios, escaleras, escaleras de mano, o construcciones en forma de escalera, por ejemplo, listones de techumbres;
 - cierre de cajas o cajones;
 - colocación de sistemas de seguridad de transportes, por ejemplo, en vehículos y vagones.
 - No permita que personas no instruidas utilicen la herramienta.
 - Asegúrese de que no haya nadie cerca antes de empezar a clavar. No intente clavar nunca desde el interior y exterior al mismo tiempo. Los clavos podrían atravesar los materiales y/o salir disparados, presentando un grave peligro.
 - Observe el suelo donde pisa y mantenga su equilibrio con la herramienta. Asegúrese de que no haya nadie debajo cuando trabaje en lugares elevados, y sujete la manguera de aire para evitar peligros si se produjera un tirón o enganche repentino.
 - En tejados y otros lugares elevados, clave a medida que avanza. Es fácil perder el equilibrio si clava moviéndose hacia atrás. Cuando clave contra superficies perpendiculares, clave de arriba hacia abajo. Haciéndolo de esta forma podrá realizar la operación de clavado fatigándose menos.
 - Si clava equivocadamente encima de otro clavo o golpea un nudo en la madera, el clavo se torcerá o se atascará la herramienta. El clavo puede salir lanzado y golpear a alguien, o la propia herramienta puede reaccionar peligrosamente. Ponga los clavos con cuidado.
 - No deje la herramienta cargada ni el compresor de aire bajo presión durante largo tiempo al sol. Asegúrese de que no entre polvo, arena, virutas ni materias extrañas en la herramienta en el lugar donde la deje.
 - No apunte con el puerto de expulsión a nadie de su alrededor. Mantenga las manos y pies alejados del área del puerto de expulsión.
 - Cuando esté conectada la manguera de aire, no transporte la herramienta con el dedo en el disparador ni se la pase a otra persona en este estado. El disparo accidental puede ser extremadamente peligroso.
 - Maneje la herramienta con cuidado, ya que dentro de la herramienta hay una presión muy alta que puede ser peligrosa si se produce una grieta debido a un manejo brusco (dejando caer o golpeando la herramienta). No intente grabar ni esculpir en la herramienta.
 - Pare inmediatamente la operación de clavado si nota algo incorrecto o fuera de lo normal en la herramienta.

- Desconecte siempre la manguera de aire y extraiga todos los clavos:
 - (9) Cuando deje la herramienta sin atender.
 - (10) Antes de realizar cualquier mantenimiento o reparación.
 - (11) Antes de despejar un atasco.
 - (12) Antes de mover la herramienta a un nuevo lugar.
- Realice la limpieza y el mantenimiento inmediatamente después de terminar el trabajo. Mantenga la herramienta en perfectas condiciones. Lubrique las partes móviles para evitar la oxidación y minimizar el desgaste relacionado con la fricción. Quite todo el polvo de dichas partes.
- No modifique la herramienta sin la autorización de Makita.
- Pregunte en centros de servicio autorizados por Makita sobre la inspección periódica de la herramienta.
- Para conservar la SEGURIDAD y la FIABILIDAD del producto, los trabajos de reparación y otros trabajos de mantenimiento deben ser realizados en centros de servicio autorizados de Makita, utilizando siempre repuestos Makita.
- Utilice solamente el aceite de herramientas neumáticas especificado en este manual.
- Nunca conecte la herramienta a una línea de aire comprimido en la que la presión máxima de la herramienta no se pueda superar en un 10%. Asegúrese de que la presión suministrada por el sistema de aire comprimido no exceda la presión máxima permitida de la clavadora. Ajuste la presión de aire inicialmente a un valor inferior a la presión permitida recomendada.
- No intente mantener el elemento de contacto del disparador presionado con cinta adhesiva o alambre. Puede sufrir lesiones graves o morir.
- Conecte siempre el elemento de contacto como se indica en este manual. Se pueden clavar clavos accidentalmente si el mecanismo de seguridad no funciona correctamente.

GUARDE ESTAS INSTRUCCIONES.

INSTALACIÓN

Selección del compresor (Fig. 1)

El compresor de aire debe cumplir con los requisitos de EN60335-2-34.

Seleccione un compresor que tenga una presión y salida de aire amplias para asegurar un funcionamiento eficiente. El gráfico muestra la relación entre la frecuencia de clavado, la presión aplicable y la salida de aire del compresor.

Así, por ejemplo, si el clavado se realiza a una frecuencia de aproximadamente 40 veces por minuto a una compresión de 0,69 MPa (6,9 bares), se requerirá un compresor con una salida de aire de más de 60 L/min. Cuando la presión del suministro de aire exceda la presión nominal de la herramienta se deberán utilizar reguladores de presión para limitar la presión de aire a la presión nominal de la herramienta. De no hacerlo, el operario de la herramienta o las personas cercanas pueden sufrir graves lesiones.

Selección de la manguera de aire (Fig. 2)

Utilice una manguera de aire tan grande y corta como sea posible para asegurar una operación de clavado continua y eficiente. Con una presión de aire de 0,49 MPa (4,9 bares), se recomienda una manguera de aire con un diámetro interno de más de 6,5 mm (1/4") y una longitud de menos de 20 m cuando el intervalo entre cada clavado sea de 0,5 segundos. Las mangueras de suministro de aire tendrán una presión de trabajo mínima de 1,03 MPa (10,3 bares) o 150 por ciento de la presión máxima producida en el sistema, el valor que sea superior.

PRECAUCIÓN:

- Una salida de aire baja del compresor, o una manguera de aire larga o de diámetro más pequeño en relación con la frecuencia de clavado podrá ocasionar una disminución de la capacidad de clavado de la herramienta.

Lubricación (Fig. 3)

Para asegurar el máximo rendimiento, instale un conjunto de aire (aceitero, regulador, filtro de aire) lo más cerca posible de la herramienta. Ajuste el aceitero de forma que provea una gota de aceite cada 30 clavos.

Cuando no se utilice un conjunto de aire, engrase la herramienta con aceite de herramientas neumáticas poniendo 2 (dos) o 3 (tres) gotas en el conector de aire. Esto deberá hacerse antes y después del uso. Para una lubricación apropiada, la herramienta deberá ser disparada unas cuantas veces después de haber introducido el aceite de herramientas neumáticas. (Fig. 4)

DESCRIPCIÓN DEL FUNCIONAMIENTO

PRECAUCIÓN:

- Desconecte siempre la manguera de aire antes de ajustar o comprobar la función de la herramienta.

Ajuste de la profundidad de clavado (Fig. 5)

Para ajustar la profundidad de clavado, gire el regulador. La profundidad de clavado será mayor cuando el regulador se gire completamente en la dirección A, como se muestra en la ilustración. Será menor cuando el regulador se gire en la dirección B. Si los clavos no se pueden clavar suficientemente incluso cuando el regulador se gire totalmente en la dirección A, aumente la presión de aire. Si los clavos se clavan demasiado incluso cuando el regulador se gire completamente en la dirección B, reduzca la presión de aire. En términos generales, la vida de servicio de la herramienta será más larga cuando la herramienta se utilice con una presión de aire más baja y el regulador ajustado a un número más bajo.

PRECAUCIÓN:

- Desconecte siempre la manguera antes de ajustar la profundidad de clavado.

Gancho (Fig. 6)

PRECAUCIÓN:

- Desconecte siempre la manguera de la herramienta.

- No cuele nunca la herramienta en un lugar elevado o en una superficie potencialmente inestable.

El gancho es útil para colgar la herramienta temporalmente.

Ajuste de la guía de tejado (Fig. 7 y 8)

La guía de tejado está diseñada para una exposición de tablillas coherente. Coloque la tablilla para el tejado en la posición que desee.

Gire la palanca en el sentido contrario a las agujas de reloj para liberar la placa de ajuste.

Vuelva a colocar la herramienta en la tablilla expuesta con los salientes del elemento de contacto ejerciendo presión sobre la parte inferior de la fila anterior de tablillas del tejado. Deslice la placa de ajuste hacia arriba contra la parte inferior de la tablilla expuesta y gire la palanca en el sentido contrario a las agujas del reloj para bloquear la placa de ajuste.

MONTAJE

PRECAUCIÓN:

- Desconecte siempre la manguera de aire antes de realizar un trabajo en la herramienta.

Carga de la clavadora (Fig. 9)

Seleccione los clavos apropiados para su trabajo. Ejercer presión sobre la palanca de pestillo y abra la tapa del depósito alimentador.

Levante y gire la placa de soporte de la bobina de forma que la flecha con el tamaño del clavo indicado en la placa del soporte de la bobina apunte hacia la marca de graduación incremental correspondiente marcada en el depósito alimentador. Si se utiliza la herramienta con el soporte de la bobina ajustado en el paso incorrecto, se puede producir una mala alimentación de clavos o una avería de la herramienta. (Fig. 10)

Coloque la bobina de clavos sobre la placa de soporte de la bobina. Desenrolle un número suficiente de clavos para alcanzar la garra de alimentación. Coloque el primer clavo en el canal de la varilla de empuje y el segundo clavo en la garra de alimentación.

Coloque otros clavos sin enrollar en el cuerpo del alimentador. Cierre la tapa del depósito alimentador tras comprobar si la bobina de clavos está correctamente colocada en el depósito alimentador. (Fig. 11)

Conexión de la manguera de aire (Fig. 12)

Encaje el acoplador de aire de la manguera de aire en el conector de aire de la clavadora de clavos. Asegúrese de que el acoplador de aire quede bloqueado firmemente en posición cuando lo instale en el conector de aire. Se deberá instalar un acoplamiento de manguera en o cerca de la herramienta de tal forma que el depósito de presión se descargue al desconectar el acoplamiento de suministro de aire.

MANEJO

PRECAUCIÓN:

- Asegúrese de que todos los sistemas de seguridad están en condiciones de funcionamiento antes de su utilización.

1. Para clavar un clavo, puede poner el elemento de contacto contra la pieza de trabajo y apretar el disparador o (Fig. 13 y 14)
 2. apretar el gatillo primero y después poner el elemento de contacto contra la pieza de trabajo.
- El método n° 1 se aplica para el clavado de clavos intermitente, cuando se desea clavar un clavo con cuidado y de forma muy precisa. El método n° 2 se aplica al clavado continuo.

PRECAUCIÓN:

- El uso de la herramienta sin clavos acorta la vida de la herramienta y debe evitarse.

Para el disparador de recorrido secuencial (accesorio)

Para clavar un clavo, puede poner el elemento de contacto contra la pieza de trabajo y apretar el disparador. (Fig. 15)

PRECAUCIÓN:

- CON EL DISPARADOR APRETADO HASTA LA MITAD, puede producirse un clavado inesperado si se permite que el elemento de contacto vuelva a hacer contacto con la pieza de trabajo o con otra superficie bajo la influencia del retroceso. Para evitar este clavado inesperado, siga los siguientes pasos;
 - A. No coloque el elemento de contacto contra la pieza de trabajo con excesiva fuerza.
 - B. Tire del disparador completamente y manténgalo así durante 1 ó 2 segundos después del clavado.

Atasco de la clavadora (Fig. 16)

PRECAUCIÓN:

- Desconecte siempre la manguera de aire y retire los clavos del depósito alimentador antes de despejar un atasco.

Cuando la clavadora de clavos se atasque, haga lo siguiente:

Abra la tapa del depósito alimentador y retire la bobina. Inserte una varilla pequeña o similar en el puerto de expulsión y golpéela ligeramente con un martillo para expulsar el clavo atascado del puerto de expulsión. Vuelva a colocar la bobina de clavos y cierre la tapa del depósito alimentador.

Clavos (Fig. 17)

Maneje las bobinas de clavos y sus cajas con cuidado. Si la bobina de clavos ha sido manejada bruscamente, los clavos podrán estar deformados o sus conectores rotos y ocasionar una deficiente alimentación de clavos.

Evite almacenar clavos en un lugar muy húmedo o caluroso o en un lugar expuesto a la luz solar directa.

(Fig. 18)

MANTENIMIENTO

PRECAUCIÓN:

- Desconecte siempre la manguera de aire de la herramienta antes de intentar realizar una inspección o mantenimiento.

Limpeza y extracción de residuos y suciedad

La adhesión de residuos y suciedad a áreas alrededor del elemento de contacto impedirá un movimiento suave del elemento de contacto (mecanismo de seguridad), lo que causará una descarga accidental. Limpie periódicamente las áreas alrededor del elemento de contacto.

Use un disolvente, como por ejemplo, queroseno, fuel oil n° 2 o combustible diesel.

Sumerja sólo el elemento de contacto y las áreas alrededor del puerto de expulsión en disolvente y retire los residuos y la suciedad con un cepillo. Use siempre guantes impermeables para proteger sus manos. No sumerja nunca el cuerpo de la herramienta, el depósito alimentador, etc. en disolvente. Puede provocarse una avería. Siempre debe desechar el disolvente usado de forma prudente y segura y de acuerdo con todos los requisitos de normativas locales y nacionales. (Fig. 19) Seque la herramienta antes de su uso. Cualquier película de aceite que quede tras la limpieza acelerará la acumulación de suciedad y la herramienta requerirá una limpieza más frecuente. Tras secar la herramienta, engrase las piezas móviles para evitar la aparición de óxido y garantizar una buena lubricación y un buen funcionamiento de las partes móviles.

ADVERTENCIA:

- Nunca use gasolina u otros líquidos igualmente volátiles para la limpieza. Los vapores de tales líquidos pueden entrar en la herramienta y se pueden incendiar por las chispas producidas durante el clavado y causar una explosión.

Mantenimiento de la clavadora de clavos

Compruebe siempre la herramienta antes de su uso para ver su estado general y si hay tornillos sueltos. Apriete según sea necesario. (Fig. 20)

Con la herramienta desconectada, haga una inspección diaria para asegurarse del libre movimiento del elemento de contacto y el disparador. No utilice la herramienta si el elemento de contacto o el disparador se bloquea o se adhiere. (Fig. 21)

Cuando no vaya a utilizar la herramienta durante un período de tiempo prolongado, lubríquela utilizando aceite de herramientas neumáticas y almacénela en un lugar seguro. Evite la exposición a la luz solar directa y/o los ambientes húmedos o calurosos (Fig. 22 y 23)

Mantenimiento del compresor, el conjunto de aire y la manguera de aire (Fig. 24 y 25)

Después de una operación, drene siempre el tanque compresor y el filtro de aire. Si permite que entre humedad en la herramienta, podrá provocar un rendimiento deficiente y un posible fallo de la herramienta.

Compruebe regularmente si hay suficiente aceite de herramientas neumáticas en el aceitero del conjunto de aire. Si no se mantiene una suficiente lubricación las juntas tóricas se desgastarán rápidamente. (Fig. 26)

Mantenga la manguera de aire alejada del calor (más de 60 °C, más de 140 °F) y de sustancias químicas (disolvente, ácidos fuertes o alcalinos). Además, tienda la

manguera alejada de obstáculos en los que pueda engancharse peligrosamente durante la operación. Las mangueras también deberán tenderse alejadas de cantos cortantes y áreas que puedan ocasionar daños o abrasión a la manguera. (Fig. 27)

Para conservar la SEGURIDAD y la FIABILIDAD del producto, los trabajos de reparación y otros trabajos de mantenimiento y ajuste deberán ser realizados en centros de servicio autorizados de Makita, utilizando siempre repuestos Makita.

ACCESORIOS

PRECAUCIÓN:

- Se recomienda el uso de estos accesorios o complementos con la herramienta Makita especificada en este manual. El uso de otros accesorios o complementos puede conllevar el riesgo de ocasionar daños corporales. Utilice los accesorios o complementos solamente para su fin establecido.

Si necesita cualquier ayuda para obtener más información relativa a estos accesorios, pregunte al centro de servicio Makita local.

- Clavos
- Mangueras de aire
- Gafas de seguridad

DECLARACIÓN DE CONFORMIDAD DE LA CE

ENH013-5

Declaramos bajo nuestra exclusiva responsabilidad que este producto cumple con los siguientes estándares de documentos estandarizados; EN792 de acuerdo con las directivas del Consejo 98/37/EC.

CE 2007



Tomoyasu Kato
Director

Fabricante responsable:

Makita Corporation

3-11-8, Sumiyoshi-cho, Anjo, Aichi, JAPÓN

Representante autorizado en Europa:

Makita International Europe Ltd.

Michigan Drive, Tongwell, Milton Keynes, Bucks MK15 8JD, REINO UNIDO

Descrição geral

- | | | |
|--|--------------------------------|---------------------|
| 1. Débito de ar por minuto do compressor | 10. Chapa de afinação | 22. Haste pequena |
| 2. Frequência de pregagem (vezes/min) | 11. Alavanca | 23. Porta de ejeção |
| 3. Lubrificante para ferramentas pneumáticas | 12. Tampa do carregador | 24. Pregos |
| 4. Regulador | 13. Alavanca de engate | 25. Húmido |
| 5. Gancho | 14. Placa de suporte da bobina | 26. Quente |
| 6. Elemento de contacto | 15. Graduação | 27. Escova |
| 7. Guia de ripas de telhado | 16. Seta | 28. Bujão |
| 8. Ripa de telhado | 17. Garra de alimentação | 29. Filtro de ar |
| 9. Saliência | 18. Conector de ar | 30. Lubrificador |
| | 19. Entrada de ar | 31. Óleo pneumático |
| | 20. Gatilho | 32. Diluente |
| | 21. Braço de contacto | 33. Fogão |

ESPECIFICAÇÕES

Modelo	AN453
Pressão de ar	0,44 - 0,83 Mpa (4,4 - 8,3 bar)
Comprimento dos pregos	19 mm - 45 mm
Capacidade de pregos	120 unidades
Diâmetro mínimo da mangueira	6,5 mm
Lubrificante para ferramentas pneumáticas	Óleo para turbinas
Dimensões (C X A X L)	265 mm X 269 mm X 117 mm
Peso líquido	2,4 kg

- Devido à pesquisa e desenvolvimento constantes, estas especificações estão sujeitas a alteração sem aviso prévio.
- Nota: estas especificações podem diferir de país para país.

Símbolos

END101-1

Descrição dos símbolos utilizados no equipamento. Certifique-se de que compreende o seu significado, antes da utilização.



..... Leia o manual de instruções.



..... Use óculos de segurança.

Utilização prevista

ENE059-1

A ferramenta destina-se a trabalhos preliminares interiores tais como a fixação de vigas de sustentação de soalho ou caibros comuns e montagem de enquadramento em encaixes de 5 cm x 10 cm.

INSTRUÇÕES DE SEGURANÇA IMPORTANTES

ENB090-2

AVISO: DURANTE A UTILIZAÇÃO DESTA FERRAMENTA, DEVEM SER CUMPRIDAS AS PRECAUÇÕES DE SEGURANÇA BÁSICAS, PARA REDUZIR O RISCO DE FERIMENTOS, INCLUINDO AS SEGUINTE:

LEIA TODAS AS INSTRUÇÕES.

- Para garantir a segurança pessoal e um funcionamento e manutenção correctos da ferramenta, leia este manual de instruções antes de utilizar a ferramenta.

- Use sempre óculos de segurança para proteger os seus olhos contra pó ou ferimentos devido aos pregos.
AVISO:
É da responsabilidade da entidade empregadora garantir o uso do equipamento de protecção para os olhos por parte dos operadores e outras pessoas perto da área de trabalho.
- Use protecção para os ouvidos para os proteger contra os ruídos de trabalho e protecção para a cabeça. Use roupa leve mas não folgada. As mangas devem estar apertadas ou enroladas. Não devem ser usadas gravatas.
- Fazer o trabalho à pressa ou forçar a ferramenta é perigoso. Segure com cuidado na ferramenta. Não utilize quando estiver sob a influência de álcool, medicamentos ou substâncias semelhantes.
- Linhas orientadoras para a utilização da ferramenta:
 - (1) Presuma sempre que a ferramenta contém pregos.
 - (2) Não aponte a ferramenta na sua direcção ou de outra pessoa, independentemente de conter pregos ou não.
 - (3) Não active a ferramenta a não ser que a ferramenta seja colocada firmemente contra a peça de trabalho.
 - (4) Respeite a ferramenta como uma ferramenta de trabalho.
 - (5) Não é um brinquedo.
 - (6) Não segure ou transporte a ferramenta com um dedo no gatilho.

- (7) Não carregue a ferramenta com pregos quando qualquer um dos comandos de funcionamento estiver activado.
 - (8) Não utilize a ferramenta com qualquer outra fonte de alimentação além da especificada nas instruções de funcionamento/segurança da ferramenta.
- Não deve ser utilizada uma ferramenta que não funcione correctamente.
 - Por vezes saltam faíscas quando a ferramenta é utilizada. Não utilize a ferramenta perto de materiais voláteis e inflamáveis, tais como gasolina, diluente, tinta, gás, adesivos, etc., uma vez que estes se incendiarão e explodirão, provocando ferimentos graves.
 - A área deve estar suficientemente iluminada para garantir um funcionamento seguro. A área deve estar desimpedida e limpa. Tenha especial atenção em manter um bom apoio e equilíbrio.
 - Apenas as pessoas envolvidas no trabalho se devem encontrar nas proximidades. As crianças devem estar sempre afastadas.
 - Poderão existir normas locais relativamente ao ruído, que devem ser cumpridas mantendo os níveis de ruído dentro dos limites indicados. Em determinados casos, devem ser utilizados elementos de isolamento acústico.
 - Não brinque com o elemento de contacto: evita o accionamento accidental, não devendo ser removido. Fixar o gatilho na posição ON (ligado) é igualmente muito perigoso. Nunca tente apertar o gatilho. Não utilize a ferramenta se qualquer parte dos comandos estiver inoperacional, desligada, alterada ou a funcionar incorrectamente.
 - Utilize a ferramenta dentro da pressão de ar especificada de 0,44 - 0,83 MPa (4,4 - 8,3 bar) para garantir a segurança e uma maior longevidade da ferramenta. Não exceda a pressão de funcionamento máxima recomendada de 0,83 MPa (8,3 bar). A ferramenta não deve ser ligada a uma fonte em que a pressão exceda potencialmente 1,37 MPa (13,7 bar).
 - Certifique-se de que a pressão fornecida pelo sistema de ar comprimido não excede a pressão máxima permitida da ferramenta de inserção de pregos. Ajuste inicialmente a pressão do ar para o valor mínimo da pressão permitida recomendada (consulte as ESPECIFICAÇÕES).
 - Nunca use a ferramenta a não ser com ar comprimido. Se utilizar gás engarrafado (dióxido de carbono, oxigénio, nitrogénio, hidrogénio, ar, etc.) ou gás combustível (hidrogénio, propano, acetileno, etc.) como fonte de alimentação, a ferramenta explodirá causando ferimentos graves.
 - Antes de utilizar, verifique sempre a condição geral da ferramenta e inspecione para ver se há parafusos soltos. Aperte-os como necessário.
 - Certifique-se de que todos os sistemas de segurança estão a funcionar adequadamente antes de utilizar a ferramenta. A ferramenta não deve funcionar caso prima apenas o gatilho ou pressione apenas o elemento de contacto contra a madeira. Esta deve funcionar apenas ao executar ambas as acções. Faça um teste sem pregos e com o impulsor na posição de apertado para verificar se há problemas no funcionamento.
 - Inspeccione cuidadosamente as paredes, tecto, pisos e telhados para evitar o risco de choque eléctrico, fuga de gás, explosões, etc. que podem resultar do contacto dos pregos com fios ligados, condutos ou canos de gás.
 - Utilize apenas pregos especificados neste manual. A utilização de pregos diferentes pode causar o mau funcionamento da ferramenta.
 - Nunca utilize pregadores marcados com a inscrição “Não utilizar em andaimes ou escadas” para aplicações específicas, por exemplo:
 - quando ao mudar de uma posição de trabalho para outra for preciso utilizar andaimes, degraus, escadas usadas em construção, por exemplo, ripas de telhado;
 - ao fechar caixas ou engradados;
 - ao fixar sistemas de segurança de transporte, por exemplo, em veículos ou vagões.
 - Não permita que pessoas não familiarizadas utilizem a ferramenta.
 - Assegure-se de que não há ninguém nas proximidades antes de pregar. Nunca tente pregar do lado de dentro e do lado de fora ao mesmo tempo. Os pregos podem atravessar a madeira e/ou sair disparados, apresentando um perigo muito grave.
 - Tenha cuidado e mantenha-se numa posição firme e equilibrada durante a utilização da ferramenta. Certifique-se de que ninguém está por baixo quando trabalhar em locais altos e fixe a mangueira de ar para evitar acidentes caso a mesma se enrosque em algo ou haja um movimento brusco e súbito.
 - Ao trabalhar em telhados ou outros locais altos, pregue movendo-se para a frente. É fácil perder o equilíbrio se pregar movendo-se para trás. Quando está a pregar contra superfícies perpendiculares, pregue de cima para baixo. Assim, poderá executar a operação de pregar com menos cansaço.
 - O prego poderá entortar-se ou a ferramenta poderá encravar se pregar sobre outro prego por engano ou se atingir um nó da madeira. O prego poderá sair disparado e atingir alguém ou a própria ferramenta pode reagir de modo perigoso. Coloque os pregos com cuidado.
 - Não deixe a ferramenta carregada ou o compressor de ar com pressão sob o sol durante muito tempo. Certifique-se de que poeira, areia, pedaços de madeira ou outros objectos estranhos não entram na ferramenta onde a deixar.
 - Não aponte a porta de ejeção a ninguém que se encontre nas proximidades. Mantenha as mãos e os pés afastados da área da porta de ejeção.
 - Se a mangueira de ar estiver conectada, não transporte a ferramenta com o dedo no gatilho nem a entregue a alguém nessa condição. O disparo accidental pode ser extremamente perigoso.
 - Manuseie a ferramenta com cuidado dado que há pressão muito alta dentro da mesma e pode ser perigoso se houver uma fissura causada por um manuseamento impróprio (derrubar ou bater a mesma). Não tente entalhar ou esculpir na ferramenta.
 - Pare de pregar imediatamente se notar qualquer problema ou algo anormal na ferramenta.
 - Desligue sempre a mangueira de ar e retire todos os pregos:

- (9) Quando a deixar sem vigilância.
- (10) Antes de efectuar qualquer operação de manutenção ou reparação.
- (11) Antes de eliminar qualquer obstrução.
- (12) Antes de levar a ferramenta para um novo local.
- Efectue a limpeza e a manutenção logo após terminar o trabalho. Mantenha a ferramenta em óptimas condições. Lubrifique as peças giratórias para evitar que fiquem enferrujadas e para minimizar o desgaste devido à fricção. Limpe a poeira das peças.
- Não modifique a ferramenta sem autorização prévia da Makita.
- Solicite a inspecção periódica da ferramenta nos centros de assistência autorizada Makita.
- Para manter os níveis de **SEGURANÇA** e **FIABILIDADE** definidos para este produto, as reparações e operações de manutenção devem ser executadas por centros de assistência Makita autorizados, utilizando sempre peças de substituição da Makita.
- Utilize apenas o lubrificante para ferramentas pneumáticas especificado neste manual.
- Nunca ligue a ferramenta a um linha de ar comprimido na qual a pressão máxima permitida da ferramenta não possa ser excedida em 10%. Certifique-se de que a pressão fornecida pelo sistema de ar comprimido não excede a pressão máxima permitida da ferramenta de inserção de pregos. Ajuste inicialmente a pressão do ar para o valor mínimo de pressão permitida recomendada.
- Não tente manter o elemento de contacto do gatilho pressionado com fita-cola ou fios. Pode provocar morte ou ferimentos graves.
- Verifique sempre o elemento de contacto de acordo com as instruções constantes neste manual. Os pregos podem não penetrar o suficiente se o mecanismo de segurança não estiver a funcionar correctamente.

GUARDE ESTAS INSTRUÇÕES.

INSTALAÇÃO

Seleção do compressor (Fig. 1)

O compressor de ar deve cumprir os requisitos da norma EN60335-2-34.

Selecione um compressor que tenha ampla pressão e débito de ar para garantir uma operação com eficiência de custo. O gráfico ilustra a relação entre a frequência de pregagem, pressão aplicável e débito do ar comprimido. Por exemplo, se pregar a um ritmo de, aproximadamente, 40 vezes por minuto, a uma compressão de 0,69 MPa (6,9 bar), é necessário um compressor com débito de ar de 60 L/min.

Se a pressão do ar fornecido exceder a pressão indicada na ferramenta, será necessário utilizar reguladores de pressão para limitar a pressão do ar de acordo com a pressão indicada para a ferramenta. Caso contrário, poderá resultar em ferimentos graves no operador da ferramenta ou em outras pessoas nas proximidades.

Seleção da mangueira de ar (Fig. 2)

Utilize uma mangueira de ar tão larga e tão curta quanto possível para garantir uma operação contínua e eficiente.

Com uma pressão de ar de 0,49 MPa (4,9 bar), recomenda-se a utilização de uma mangueira de ar com um diâmetro interno superior a 6,5 mm (1/4") e um comprimento inferior a 20 m se o intervalo entre cada prego for de 0,5 segundos. As mangueiras de fornecimento do ar possuem uma classificação de funcionamento mínimo de 1,03 MPa (10,3 bar) ou 150 por cento da pressão máxima produzida no sistema, o que for superior.

PRECAUÇÃO:

- Um débito de ar reduzido do compressor ou uma mangueira de ar longa e com diâmetro pequeno em relação à frequência de pregagem pode diminuir a capacidade de funcionamento da ferramenta.

Lubrificação (Fig. 3)

Para garantir o máximo desempenho, instale um conjunto de ar (recipiente de óleo, regulador e filtro de ar) o mais próximo possível da ferramenta. Ajuste o lubrificador de forma que forneça uma gota de óleo para cada 30 pregos.

Se não utilizar um conjunto de ar, lubrifique a ferramenta com lubrificante para ferramentas pneumáticas colocando 2 (duas) ou 3 (três) gotas no conector de ar. Isto deve ser feito antes e após a utilização. Para uma lubrificação adequada, a ferramenta deve ser accionada algumas vezes após a colocação do lubrificante para ferramentas pneumáticas. (Fig. 4)

DESCRIÇÃO DO FUNCIONAMENTO

PRECAUÇÃO:

- Desligue sempre a mangueira de ar antes de regular ou verificar o funcionamento da ferramenta.

Regular a profundidade de pregagem (Fig. 5)

Para ajustar a penetração do prego, rode o ajustador. A penetração máxima de pregagem ocorre na posição em que o ajustador está totalmente rodado na direcção A apresentada na imagem. A penetração diminui à medida que o ajustador é rodado para a direcção B. Se os pregos não penetrarem o suficiente mesmo quando o ajustador está totalmente rodado para a direcção A, aumente a pressão do ar. Se os pregos penetrarem demais, mesmo quando o ajustador está totalmente rodado na direcção B, diminua a pressão do ar. Em geral, a vida útil da ferramenta será mais longa se for utilizada com baixa pressão de ar e o ajustador for regulado para um valor de penetração mais baixo.

PRECAUÇÃO:

- Desligue sempre a mangueira de ar antes de regular a profundidade de pregagem.

Gancho (Fig. 6)

PRECAUÇÃO:

- Desligue sempre a mangueira da ferramenta.
- Nunca pendure a ferramenta num local elevado ou potencialmente instável.

O gancho é muito útil para pendurar a ferramenta temporariamente.

Regular a guia de ripas de telhado (Fig. 7 e 8)

A guia de ripas de telhado destina-se a uma exposição consistente das ripas de telhado. Coloque a ripa de telhado na posição pretendida.

Rode a alavanca para a direita para libertar a chapa de afinação.

Volte a colocar a ferramenta sobre a ripa de telhado exposta com as projecções do elemento de contacto premindo a parte inferior da fila anterior da ripa de telhado. Empurre a chapa de afinação para cima, encostando-a à ripa de telhado exposta e rode a alavanca para a esquerda para bloquear a chapa de afinação.

MONTAGEM

PRECAUÇÃO:

- Desligue sempre a mangueira de ar antes de efectuar qualquer trabalho na ferramenta.

Carregar o pregador (Fig. 9)

Selecione os pregos de acordo com o trabalho. Prima a alavanca de engate e abra a tampa do carregador.

Levante e rode a placa de suporte da bobina de modo a que a seta com indicação de tamanho do prego na placa de suporte da bobina aponte para a graduação correspondente, marcada no carregador. Se a ferramenta for accionada com a placa de suporte da bobina configurada para um passo errado, poderá ocorrer um reabastecimento deficiente de pregos ou avaria da ferramenta. (Fig. 10)

Coloque a bobina de pregos sobre a placa de suporte da bobina. Desenrole um número suficiente de pregos de modo a atingir a garra de alimentação. Coloque o primeiro prego no canal da ponta e o segundo prego na garra de alimentação.

Coloque os pregos não desenrolados no corpo do alimentador. Feche a tampa do carregador depois de se certificar que a bobina de pregos está devidamente colocada no carregador. (Fig. 11)

Ligar a mangueira de ar (Fig. 12)

Introduza a entrada de ar da mangueira de ar no conector de ar do pregador. Certifique-se de que a entrada de ar fica bem bloqueada no lugar quando instalada no conector de ar. Deve ser instalada uma união da mangueira na ou perto da ferramenta, de forma a que o depósito de pressão descarregue quando a união do fornecimento de ar for desligada.

FUNCIONAMENTO

PRECAUÇÃO:

- Certifique-se de que todos os sistemas de segurança estão a funcionar adequadamente antes de utilizar a ferramenta.
1. Para pregar, coloque o elemento de contacto contra a peça de trabalho e prima o gatilho, ou (Fig. 13 e 14)
 2. primeiro prima o gatilho e depois coloque o elemento de contacto contra a peça de trabalho.
- O método nº 1 destina-se a pregagem intermitente, quando pretende pregar cuidadosa e precisamente. O método nº 2 destina-se a pregagem contínua.

PRECAUÇÃO:

- O accionamento da ferramenta sem pregos diminui o tempo de vida da ferramenta e deve ser evitado.

Para accionamento sequencial do gatilho (acessório)

Para pregar, coloque o elemento de contacto contra a peça de trabalho e prima o gatilho. (Fig. 15)

PRECAUÇÃO:

- COM O GATILHO MANTIDO NA POSIÇÃO SEMI-PREMIDO, pode ocorrer uma pregagem inesperada se o elemento de contacto voltar a contactar a peça de trabalho ou outra superfície sob a influência do recuo. Para evitar esta pregagem inesperada, faça o seguinte:
- A. Não coloque o elemento de contacto contra a peça de trabalho com força excessiva.
 - B. Prima completamente o gatilho e mantenha-o premido durante 1 a 2 segundos depois da pregagem.

Pregador encravado (Fig. 16)

PRECAUÇÃO:

- Desligue sempre a mangueira de ar e retire os pregos do carregador antes de desobstruir a ferramenta.

Se o pregador ficar encravado, efectue o seguinte:

Abra a tampa do carregador e retire a bobina de pregos. Insira uma haste pequena ou algo semelhante na porta de ejeção e bata de leve na mesma com um martelo para retirar o prego encravado da porta de ejeção. Volte a colocar a bobina de pregos e feche a tampa do carregador.

Pregos (Fig. 17)

Manuseie as bobinas de pregos e a respectiva caixa com cuidado. Se manusear as bobinas de pregos descuidadamente, estas podem ficar deformadas ou os respectivos conectores podem quebrar, causando um reabastecimento deficiente de pregos.

Evite guardar os pregos em lugares muito húmidos ou muito quentes ou em lugares expostos à luz solar directa. (Fig. 18)

MANUTENÇÃO

PRECAUÇÃO:

- Desligue sempre a mangueira de ar da ferramenta antes de tentar executar qualquer inspecção ou manutenção.

Limpar e retirar alcatrão e poeira

A aderência de alcatrão e poeira nas zonas à volta do elemento de contacto irá impedir o movimento suave do elemento de contacto (mecanismo de segurança), provocando um accionamento accidental. Limpe periodicamente as áreas à volta do elemento de contacto. Utilize um solvente tipo querosene, fuelóleo nº 2 ou gasóleo.

Mergulhe apenas o elemento de contacto e as áreas à volta da porta de ejeção em solvente e retire o alcatrão e a poeira com uma escova. Utilize sempre luvas impermeáveis para proteger as suas mãos. Nunca mergulhe a caixa, o carregador, etc. em solvente. Poderá resultar em avaria da ferramenta. Descarte sempre o

solvente utilizado de modo seguro e prudente e em conformidade com todos os requisitos legais locais e nacionais. (Fig. 19)

Seque a ferramenta antes de a utilizar. A permanência de uma camada de óleo após a limpeza poderá acelerar a acumulação de alcatrão, resultando na necessidade de limpeza mais frequente. Depois de secar a ferramenta, lubrifique as peças móveis para evitar que enferrujem e para garantir uma lubrificação e funcionamento adequados das peças móveis.

AVISO:

- Nunca utilize gasolina ou outros líquidos altamente voláteis semelhantes para a limpeza. Os vapores destes líquidos poderão entrar na ferramenta e poderão incendiar-se pela acção das faíscas produzidas durante a pregagem e resultar em explosão.

Manutenção do pregador

Antes de utilizar, verifique sempre a condição geral da ferramenta e inspecione para ver se há parafusos soltos. Aperte-os como necessário. (Fig. 20)

Com a ferramenta desligada, faça uma inspecção diária para assegurar um movimento livre do elemento de contacto e do gatilho. Não use a ferramenta se o elemento de contacto ou o gatilho estiver a colar ou a prender. (Fig. 21)

Se não for utilizar a ferramenta por um longo período de tempo, lubrifique a ferramenta com lubrificante para ferramentas pneumáticas e guarde-a num local seguro. Evite expor à luz solar directa e/ou a ambientes quentes ou húmidos. (Fig. 22 e 23)

Manutenção do compressor, conjunto de ar e mangueira de ar (Fig. 24 e 25)

Após utilizar, drene sempre o tanque do compressor e o filtro de ar. Se entrar humidade na ferramenta, poderá afectar o desempenho ou causar falha da ferramenta. Inspeccione regularmente para ver se há lubrificante para ferramentas pneumáticas suficiente no lubrificador do conjunto de ar. Se a lubrificação não for suficiente, os anéis em O ficarão rapidamente desgastados. (Fig. 26)

Mantenha a mangueira de ar afastada de calor (acima de 60 °C ou 140 °F) e de produtos químicos (diluentes, ácidos fortes ou alcalis). Além disso, coloque a mangueira longe de obstáculos nos quais a mesma possa ser presa perigosamente durante a utilização. As mangueiras também devem ser direccionadas para longe de arestas aguçadas ou áreas que possam causar danos ou abrasão. (Fig. 27)

Para manter os níveis de SEGURANÇA e FIABILIDADE definidos para este produto, as reparações, as operações de manutenção ou as regulações devem ser executadas por centros de assistência Makita autorizados e, em caso de substituição de peças, estas devem ser igualmente Makita.

ACESSÓRIOS

PRECAUÇÃO:

- Os seguintes acessórios ou extensões são os recomendados para utilizar com a ferramenta Makita especificada neste manual. A utilização de outros acessórios ou extensões pode provocar ferimentos. Utilize cada acessório ou extensão apenas para o fim indicado.

Se precisar de informações adicionais relativas aos acessórios, contacte o centro local de assistência Makita.

- Pregos
- Mangueiras de ar
- Óculos de protecção

CE - DECLARAÇÃO DE CONFORMIDADE ENH013-5

Declaramos, sob a nossa única responsabilidade, que este produto está em conformidade com as seguintes normas de documentos normalizados; EN792 em conformidade com as normas do Conselho, 98/37/CE.

CE 2007



Tomoyasu Kato
Administrador

Fabricante responsável:

Makita Corporation

3-11-8, Sumiyoshi-cho, Anjo, Aichi, JAPÃO

Representante autorizado na Europa:

Makita International Europe Ltd.

Michigan Drive, Tongwell, Milton Keynes, Bucks MK15 8JD, INGLATERRA

Forklaring til generel oversigt

- | | | |
|--|--------------------------------|--------------------|
| 1. Afgivelse af kompressorluft pr. minut | 12. Magasindæksel | 24. Søm |
| 2. Sømfrekvens (gange/min.) | 13. Håndtag til holdemekanisme | 25. Fugtig |
| 3. Olie til trykluftsværktøj | 14. Båndstøtteplade | 26. Varm |
| 4. Justeringsenhed | 15. Gradinddeling | 27. Børste |
| 5. Krog | 16. Pål | 28. Aftapningshane |
| 6. Kontaktelement | 17. Fremføringsgriber | 29. Luftfilter |
| 7. Styreenhed til træspåner | 18. Luftbøsning | 30. Smørenippel |
| 8. Træspån | 19. Lufttilslutning | 31. Trykluftsolie |
| 9. Projektion | 20. Afrækker | 32. Fortynder |
| 10. Juster plade | 21. Kontaktarm | 33. Ovn |
| 11. Håndtag | 22. Lille pind | |
| | 23. Udstødsport | |

SPECIFIKATIONER

Model	AN453
Luftryk	0,44 - 0,83 MPa (4,4 - 8,3 bar)
Sømlængde	19 – 45 mm
Sømkapacitet	120 stk.
Mindste diameter af slange	6,5 mm
Olie til trykluftsværktøj	Turbineolie
Størrelse (L x H x B)	265 x 269 x 117 mm
Nettovægt	2,4 kg

- På grund af vores løbende forsknings- og udviklingsprogram kan specifikationerne heri ændres uden forudgående varsel.
- Bemærk: Specifikationerne kan variere fra land til land.

Symboler

END101-1

I det følgende viser de symboler, der benyttes til udstyret. Vær sikker på, at De forstår deres betydning, før De bruger værktøjet.



..... Læs brugsanvisningen.



..... Bær beskyttelsesbriller.

Tilsigtet brug

ENE059-1

Dette værktøj er tiltænkt til det indledende indvendige arbejde såsom fastgørelse af bjælker eller almindelige spær og rammekonstruktion i et 2 "x 4"-hus.

VIGTIGE SIKKERHEDSINSTRUKTIONER

ENB090-2

ADVARSEL: UNDER ANVENDELSEN AF VÆRKTØJET SKAL DE ALTID OVERHOLDE GRUNDLÆGGENDE SIKKERHEDSFORANSTALTNINGER FOR AT MINDSKE RISIKOEN FOR PERSONSKADE, INKLUSIVE FØLGENDE:

LÆS ALLE INSTRUKTIONER.

- Af hensyn til Deres personlige sikkerhed og for at sikre korrekt brug og vedligeholdelse af værktøjet skal De læse denne brugsanvisning, før De anvender værktøjet.

- Bær altid beskyttelsesbriller for at beskytte øjnene mod støv eller skader forårsaget af søm.

ADVARSEL:

Det er arbejdsgiverens ansvar at påbyde brug af beskyttelsesudstyr til øjnene af brugerne af værktøjet samt af andre personer i arbejdsområdet.

- Bær høreværn for at beskytte hørelsen mod motorstøj, og bær desuden hovedbeskyttelse. Bær også let, men ikke løs beklædning. Ærmer skal være knappet eller rullet op. Undlad at bære slips.
- Det er farligt at arbejde forhastet eller bruge magt på værktøjet. Håndter værktøjet forsigtigt. Undlad at benytte det, når De er påvirket af alkohol, medicin eller lignende.
- Generelle retningslinjer for brug af værktøjet:
 - (1) Gå altid ud fra, at værktøjet indeholder klammer.
 - (2) Ret ikke værktøjet mod Dem selv eller andre, uanset om det indeholder søm eller ikke.
 - (3) Aktiver ikke værktøjet, medmindre det er placeret fast mod arbejdsemnet.
 - (4) Respekter værktøjet som et arbejdsredskab.
 - (5) Undlad at lege med værktøjet.
 - (6) Undlad at holde eller bære værktøjet med en finger på afbryderkontakten.
 - (7) Undlad at sætte søm i værktøjet, mens en af betjeningskontrollerne er aktiveret.
 - (8) Undlad at betjene værktøjet med en anden strømkilde end den, der er angivet i værktøjets betjenings- og sikkerhedsinstruktioner.
- Anvend ikke værktøjet, hvis det ikke fungerer korrekt.

- Der kan forekomme gnister, når værktøjet anvendes. Undlad at anvende værktøjet i nærheden af flygtige, brændbare materialer som benzin, fortynder, maling, gas, klæbemidler osv. De kan antændes og eksplodere og forårsage alvorlig personskade.
- Arbejdsområdet skal være tilstrækkeligt oplyst til at sikre forsvarlig anvendelse. Området skal være rent og frit for affald. Sørg især for at sikre godt fodfæste og god balance.
- Kun personer, der deltager i arbejdet, må opholde sig i nærheden. Især må børn ikke komme i nærheden.
- Der kan gælde lokal lovgivning vedrørende støj, som skal overholdes for at holde støjniveauet inden for de lovmæssige grænser. I nogle tilfælde skal der benyttes skodder til at dæmpe støjen.
- Undlad at pille ved kontaktelemetet. Det forhindrer udladning ved uheld, og det skal derfor forblive monteret og må ikke fjernes. Det er også meget farligt at fastlåse afbryderkontakten i ON-stillingen. Forsøg aldrig at fastlåse afbryderkontakten. Undlad at betjene værktøjet, hvis nogen del af værktøjets betjeningskontroller ikke kan benyttes, er deaktiveret, ændret eller ikke fungerer korrekt.
- Anvend værktøjet med det angivne lufttryk på 0,44 - 0,83 MPa (4,4 - 8,3 bar) af sikkerhedshensyn og for at forlænge værktøjets levetid. Undlad at overskride det anbefalede maksimale driftstryk på 0,83 MPa (8,3 bar). Værktøjet må ikke sluttes til en kilde, hvis tryk kan overskride 1,37 MPa (13,7 bar).
- Sørg for, at det tryk, som luftkompressorsystemet leverer, ikke overskrider sømpistolens maksimalt tilladte tryk. Indstil først lufttrykket til den laveste værdi for det anbefalede tilladte tryk (se under SPECIFIKATIONER).
- Brug aldrig værktøjet sammen med andet end komprimeret luft. Hvis der benyttes flaskegas (kuldioxid, it, nitrogen, brint, luft osv.) eller brændbar gas (brint, propan, acetylen osv.) som drivmiddel til værktøjet, kan værktøjet eksplodere og forårsage alvorlig personskade.
- Kontroller altid værktøjets generelle tilstand, og se efter løse skruer før brugen. Stram til efter behov.
- Sørg for, at alle sikkerhedssystemer fungerer, før anvendelsen. Værktøjet må ikke fungere, hvis der kun trækkes i aftrækkeren, eller kun hvis kontaktarmen trykkes mod træet. Det må kun fungere, når begge disse handlinger udføres. Kontroller for eventuel fejlfunktion uden søm i værktøjet og med trykanordningen i fuldt indtrykket position.
- Kontroller vægge, lofter, gulve, tage og lignende omhyggeligt for at undgå risiko for elektrisk stød, gasudslivning, eksplosioner osv. ved at ramme strømførende ledninger, vandledninger eller gasrør.
- Brug kun de søm, der er angivet i denne brugsanvisning. Brug af andre søm kan beskadige værktøjet.
- Anvend aldrig sømpistoler, der er mærket med symbolet "Må ikke anvendes på stilladser, stiger" til bestemte formål, f.eks.:
 - Ved skift fra et arbejdssted til et andet, der involverer brug af stilladser, trapper, stiger eller stigelignende konstruktioner som f.eks. taglægter.
 - Lukning af kasser eller tremmekasser.
- Montering af transportsikkerhedssystemer, f.eks. på biler og vogne.
- Lad ikke uøvede personer benytte værktøjet.
- Sørg for, at der ikke er andre i nærheden, før De påbegynder søm-idrivning. Forsøg aldrig at sømme fra både indersiden og ydersiden samtidigt. Søm kan gå igennem og/eller flyve væk og udgøre en alvorlig fare.
- Vær opmærksom på fodfæstet, og hold balancen med værktøjet. Sørg for, at der ikke er nogen under Dem, når de arbejder på højtliggende steder, og fastgør luftslangen for at forebygge fare i tilfælde af pludselige ryk eller ved fastklemning.
- På tage og andre højtliggende steder skal De sømme, efterhånden som De bevæger Dem fremad. De risikerer at miste fodfæstet, hvis De sømmer, mens De går baglæns. Når De sømmer i vinkelrette overflader, skal De sømme oppefra og nedefter. På denne måde kan De arbejde uden at blive træt.
- Et søm kan blive bøjet eller sidde fast i værktøjet, hvis De ved en fejltagelse driver søm oven i et andet søm eller rammer en knast i træet. Sømmet kan blive slynget ud og ramme personer, eller selve værktøjet kan reagere på en farlig måde. Vær omhyggelig med placeringen af søm.
- Undlad at lade værktøjet med søm eller luftkompressoren under tryk ligge i solen i længere tid. Sørg for, at støv, sand, spåner og fremmedlegemer ikke kan komme ind i værktøjet på det sted, De efterlader det.
- Ret ikke udstødsporten mod personer i nærheden. Hold hænder og fødder borte fra området omkring udstødsporten.
- Undlad at bære værktøjet med fingeren på afbryderkontakten eller at række det til andre i denne tilstand, når luftslangen er tilsluttet. Utilsliget affyring af søm kan være ekstremt farlig.
- Hånder værktøjet forsigtigt, da der er højtryk inde i værktøjet, som kan være farlig, hvis hårdhændet behandling (stød eller slag) forårsager revner. Forsøg ikke at snitte eller grave i værktøjet.
- Stop øjeblikkeligt søm-idrivningen, hvis De bemærker fejlfunktion eller noget unormalt ved værktøjet.
- Tag altid luftslangen ud, og fjern alle søm:
 - (9) Når værktøjet efterlades uden opsyn.
 - (10) Før De udfører vedligeholdelse eller reparation.
 - (11) Før De fjerner fastklemte søm.
 - (12) Før værktøjet transporteres til et andet sted.
- Udfør rengøring og vedligeholdelse, umiddelbart efter at De er færdig med arbejdet. Hold værktøjet i perfekt stand. Smør bevægelige dele for at forebygge rust og slid som følge af friktion. Tør alt støv bort fra delene.
- Undlad at ændre værktøjet uden godkendelse fra Makita.
- Bed Makitas autoriserede servicecentre om at udføre regelmæssigt eftersyn af værktøjet.
- For at holde produktet SIKKERT og PÅLIDELIGT skal vedligeholdelse udføres af autoriserede Makita-servicecentre, og der skal benyttes Makita-reservedele.
- Brug kun olie til trykluftsværktøj, der er angivet i denne brugsanvisning.
- Slut aldrig værktøjet til en luftkompressionsledning, hvis værktøjets maksimalt tilladte tryk ikke må overstiges med 10 %. Sørg for, at det tryk, som

- luftkompressorssystemet leverer, ikke overskrider sømpistolens maksimalt tilladte tryk. Indstil først lufttrykket til den laveste værdi for det anbefalede tilladte tryk.
- Forsøg ikke at holde afbryderkontakten nede ved hjælp af tape eller ståltråd. Det kan afstedkomme dødsfald eller alvorlig personskade.
 - Kontroller altid kontakteleementer som anvist i denne brugsanvisning. Søm kan blive drevet, hvis sikkerhedsmekanismen ikke fungerer korrekt.

GEM DISSE INSTRUKTIONER.

MONTERING

Valg af kompressor (Fig. 1)

Luftkompressoren skal overholde kravene i EN60335-2-34.

Vælg en kompressor med tilstrækkeligt tryk og luftudgang til at sikre en effektiv drift. Grafen viser forholdet mellem sømfrekvens, anvendt tryk og kompressorens luftudgang. Hvis søm-idrivning f.eks. udføres med en hastighed på cirka 40 gange i minuttet ved en kompression på 0,69 MPa (6,9 bar), skal der anvendes en kompressor med en luftudgang på mere end 60 L/min.

Der skal benyttes trykregulatorer til at begrænse lufttrykket til værktøjets nominelle tryk, hvis luftforsyningens tryk overskrider værktøjets nominelle tryk. Undladelse af dette kan medføre alvorlig personskade på operatøren eller personer i nærheden.

Valg af luftslange (Fig. 2)

Anvend en luftslange, der er så tyk og så kort som muligt, for at sikre kontinuert og effektiv søm-idrivning. Med et lufttryk på 0,49 MPa (4,9 bar) anbefales det at bruge en luftslange med en indvendig diameter på over 6,5 mm (1/4") og en længde på under 20 m, når intervallet mellem hvert søm er på 0,5 sekunder. Luftforsyningsslanger skal mindst være godkendt til den højeste værdi af et arbejdstryk på 1,03 MPa (10,3 bar) eller 150 procent af det maksimale tryk, som systemet udvikler.

FORSIGTIG:

- En for lav luftudgang fra kompressoren eller en for lang og tynd luftslange i forhold til sømfrekvensen kan reducere værktøjets drivkapacitet.

Smøring (Fig. 3)

For at sikre maksimal ydelse skal der monteres et luftsæt (smørenippel, regulator, luftfilter) så tæt på værktøjet som muligt. Juster smørenippen, så der tilføres en dråbe olie for hver 30 søm.

Hvis der ikke anvendes et luftsæt, skal De smøre værktøjet med olie til lufttrykværktøj ved at tilføre 2 (to) eller 3 (tre) dråber i lufttilslutningen. Gør dette før og efter brugen. For at sikre korrekt smøring skal værktøjet affyres nogle gange, efter at olien til lufttrykværktøj er tilført.

(Fig. 4)

FUNKTIONSBESKRIVELSE

FORSIGTIG:

- Tag altid luftslangen ud, før værktøjet justeres, eller dets funktionsevne tjekkes.

Indstilling af dybden af søm-idrivning (Fig. 5)

Drej på justeringsenheden for at justere dybden af søm-idrivning. Dybden af søm-idrivningen er størst, når justeringsenheden er drejet helt i A-retningen som vist på figuren. Dybden bliver mindre, når justeringsenheden drejes i B-retningen. Hvis søm ikke kan drives dybt nok, selv om justeringsenheden er drejet helt i A-retningen, skal De forøge lufttrykket. Hvis søm drives for dybt, selv om justeringsenheden er drejet helt i B-retningen, skal De reducere lufttrykket. Generelt vil værktøjets levetid blive forlænget, hvis værktøjet benyttes med et lavere lufttryk, og justeringsenheden er indstillet til en mindre dybde for søm-idrivning.

FORSIGTIG:

- Tag altid slangen ud, før dybden af søm-idrivningen justeres.

Krog (Fig. 6)

FORSIGTIG:

- Tag altid slangen ud af værktøjet.
- Hæng aldrig værktøjet på et højt sted eller på et potentielt ustabilt underlag.

Krogen er nyttig til midlertidig ophængning af værktøjet.

Justering af styreenheden til tagspåner (Fig. 7 og 8)

Styreenheden til tagspåner er beregnet til ensartet eksponering til tågspåner. Placer tagspånen i den ønskede position.

Drej håndtaget med uret for at frigøre justeringspladen. Nulstil værktøjet på den afdækkede træspån med kontaktelementets projektioner ved at trykke bunden af den foregående række af træspåner ned. Skyd justeringspladen op mod bunden af den eksponerede træspån, og drej håndtaget mod uret for at låse justeringspladen.

MONTERING

FORSIGTIG:

- Tag altid luftslangen ud, før der udføres arbejde på værktøjet.

Påfyldning af sømpistol (Fig. 9)

Vælg søm, der passer til arbejdet. Tryk håndtaget til holdemekanismen ned, og åbn magasindækslet. Løft og drej båndstøttepladen, så pilen med sømstørrelsen, som er angivet på båndstøttepladen, peger på det tilsvarende gradinddelingstrin på magasinet. Hvis værktøjet betjenes med båndstøttepladen indstillet til det forkerte trin, kan det medføre en dårlig fremføring, eller at værktøjet giver funktionsfejl. (Fig. 10) Placer sømbåndet over båndstøttepladen. Rul tilstrækkeligt med søm fri til at nå fremføringsgriben. Placer det første søm i drivværkskanalen og det andet søm i fremføringsgriben. Placer andre udrullede søm på fremføringsdelen. Luk magasindækslet, når De har kontrolleret, at sømbåndet er sat korrekt i magasinet. (Fig. 11)

Montering af luftslange (Fig. 12)

Anbring luftbøsningen på luftslangen over lufttilslutningen på sømholderen. Sørg for, at luftbøsningen låses fast på plads, når den monteres på lufttilslutningen. Der skal være monteret en slangekobling på eller i nærheden af værktøjet på en sådan måde, at trykreservoiret forsvinder, når luftforsyningsskoblingen tages ud af forbindelse.

BETJENING

FORSIGTIG:

- Sørg for, at alle sikkerhedssystemer fungerer, før anvendelsen.
1. For at idrive et søm skal De placere kontaktelelementet mod arbejdsområdet og aktivere afbryderkontakten eller (Fig. 13 og 14)
 2. Trække afbryderkontakten først og derefter placere kontaktelelementet mod arbejdsområdet.
- Metode nr. 1 er til ikke-kontinuerlig søm-idrivning, hvor De vil idrive et søm omhyggeligt og meget nøjagtigt. Metode nr. 2 er til kontinuerlig sømidrivning

FORSIGTIG:

- Betjening af værktøjet uden søm forkorter værktøjets levetid og skal undgås.

Brug af sekventiel trinvis afbryderkontakt (tilbehør)

For at idrive et søm skal De placere kontaktelelementet mod arbejdsområdet og aktivere afbryderkontakten. (Fig. 15)

FORSIGTIG:

- HVIS AFBRYDERKONTAKTEN HOLDES HALVT NEDE, kan der forekomme uventet søm-idrivning, hvis kontaktelelementet kommer i kontakt med arbejdsområdet eller en anden overflade igen på grund af tilbageslaget. Gør følgende for at undgå uventet søm-idrivning:
- A. Undlad at trykke kontaktelelementet for hårdt mod arbejdsområdet.
 - B. Træk afbryderkontakten helt tilbage, og hold den der i 1-2 sekunder efter sømidrivningen.

Sømpistol sidder fast (Fig. 16)

FORSIGTIG:

- Fraslut altid luftslangen, og fjern sømmene fra magasinet før et stop afhjælpes.
- Gør følgende, hvis sømholderen sætter sig fast:
- Åbn magasin-dækslet, og fjern sømbåndet. Sæt en lille pind eller lignende ind i udstødssporten, og bank let på den med en hammer for at skubbe afhjælpes sømstopet fra udstødssporten. Nulstil sømbåndet, og luk magasin-dækslet.

Søm (Fig. 17)

Håndter sømbånd og æsken med dem forsigtigt. Hvis sømbånd håndteres hårdt, kan de blive bøjet, eller deres forbindelse ødelægges, så sømfremføringen forhindres. Undgå at opbevare søm på fugtige eller varme steder eller på steder, der er udsat for direkte sollys. (Fig. 18)

VEDLIGEHOLDELSE

FORSIGTIG:

- Tag altid luftslangen ud af værktøjet, før De forsøger at udføre inspektion eller vedligeholdelse.

Rengøring og fjernelse af tjære og snavs

Hvis der er tjære og snavs på området omkring kontaktelelementer, kan kontaktelelementet (sikkerhedsmekanisme) ikke føres i en jævn bevægelse, hvilket kan forårsage en udladning ved uheld. Rengør regelmæssigt området omkring kontaktelelementet. Brug et opløsningsmiddel såsom nr. 2 brændselsolie eller diesellole.

Nedsænk kun kontaktelelementet og området omkring udstødssporten i opløsningsmidlet, og fjern tjære og snavs med en børste. Ifør Dem altid vandtætte handsker for at beskytte hænderne. Nedsænk aldrig huset, magasinet osv. i opløsningsmidler. Dette kan forårsage funktionsfejl. Bortskaf altid det anvendte opløsningsmiddel på en sikker og betryggende vis og i overensstemmelse med alle lokale og nationale kodekrav. (Fig. 19)

Lad værktøjet tørre af før brug. Hvis der er en film efter rengøring, kan det få opbygningen af tjære til at ske hurtigere, og værktøjet vil skulle renses oftere. Når værktøjet er tørreret af, skal de bevægelige dele smøres med olie for at forhindre rustdannelse og sikre god smøring og betjeningsmulighed og velfungerende bevægelige dele.

ADVARSEL:

- Brug aldrig benzin eller andre meget flygtige væsker ved rengøring. Dampe fra sådanne væsker kan trænge ind i værktøjet og vil kunne tændes af gnister fra sømidrivningen og dermed forårsage en eksplosion.

Vedligeholdelse af sømpistol

Kontroller altid værktøjets generelle tilstand, og se efter løse skruer før brugen. Stram til efter behov. (Fig. 20) Udfør daglig inspektion med værktøjet taget ud af forbindelse for at sikre Dem, at kontaktelelementet og afbryderkontakten kan bevæge sig frit. Undlad at bruge værktøjet, hvis kontaktelelementet eller afbryderkontakten klemmer eller binder. (Fig. 21) Hvis værktøjet ikke skal anvendes i længere tid, skal det smøres med en olie til trykluftsværktøj, og værktøjet skal opbevares et sikkert sted. Undgå, at værktøjet udsættes for direkte sollys og/eller fugtige eller varme steder. (Fig. 22 og 23)

Vedligeholdelse af kompressor, luftsæt og luftslange (Fig. 24 og 25)

Efter brugen skal De altid tømme kompressortanken og luftfilteret ud. Hvis der trænger fugt ind i værktøjet, kan det medføre dårlig ydelse og risiko for fejlfunktion.

Kontroller regelmæssigt, om der er tilstrækkelig trykluftsolie i smørenipen på luftsættet. Forsømmelse af tilstrækkelig smøring vil bevirke, at O-ringene hurtigt nedslides. (Fig. 26)

Udsæt ikke luftslangen for varme (over 60 °C) eller for kemikalier (fortynder, stærke syrer eller baser). Sørg også for at føre luftslangen uden om forhindringer, hvor den kan komme i klemme under brugen.

Slanger skal desuden holdes borte fra skarpe kanter og områder, der kan medføre beskadigelse eller slid på slangen. (Fig. 27)

For at holde produktet SIKKERT og PÅLIDELIGT skal reparationer samt al anden vedligeholdelse eller justering udføres af autoriserede Makita-servicecentre, og der skal altid benyttes Makita-reservedele.

TILBEHØR

FORSIGTIG:

- Dette tilbehør eller ekstraudstyr anbefales til brug med det Makita-værktøj, som er beskrevet i denne brugsanvisning. Brug af andet tilbehør eller ekstraudstyr kan forårsage personskade. Brug kun tilbehør eller ekstraudstyr til det formål, det er beregnet til.

Henvend Dem til Deres lokale Makita-servicecenter, hvis De har brug for hjælp eller yderligere oplysninger vedrørende tilbehøret.

- Søm
- Luftslinger
- Sikkerhedsbriller

EC-ERKLÆRING VEDRØRENDE OVERHOLDELSE AF STANDARDER

ENH013-5

Vi erklærer og tager det fulde ansvar for, at produktet overholder følgende standarder i standardiseringsdokumenterne:

EN792 i overensstemmelse med Rådets direktiver 98/37/EU.

CE 2007



Tomoyasu Kato
Direktør

Ansvarlig producent:

Makita Corporation

3-11-8, Sumiyoshi-cho, Anjo, Aichi, JAPAN

Autoriseret repræsentant i Europa:

Makita International Europe Ltd.

Michigan Drive, Tongwell, Milton Keynes,
8JD, ENGLAND

Förklaring till översiktsciklarna

1. Tryckluftslöde per minut	12. Magasinslock	23. Mynning
2. Spikfrekvens (ggr/min)	13. Spärrreglage	24. Spik
3. Tryckluftsolja	14. Stödplatta för spikband	25. Fukting
4. Inställningsring	15. Gradering	26. Varm
5. Krok	16. Pil	27. Kolborste
6. Kontaktarm	17. Matarblo	28. Vattenavskiljare
7. Spänstyrning	18. Tryckluftsanslutning	29. Luftfilter
8. Takspän	19. Snabbkoppling	30. Dimsmörjare
9. Utskjutande del	20. Avtryckare	31. Tryckluftsolja
10. Justeringsplatta	21. Kontaktarm	32. Thinner
11. Spak	22. Liten stång	33. Ugn

SPECIFIKATIONER

Modell	AN453
Lufttryck	0,44 – 0,83 MPa (4,4 – 8,3 bar)
Spiklängd	19 mm - 45 mm
Spikmagasin	120 st
Minsta slangdiameter	6,5 mm
Tryckluftsolja	Turbinolja
Mått (L X H X B)	265 mm X 269 mm X 117 mm
Vikt	2,4 kg

- På grund av vårt pågående program för forskning och utveckling kan dessa specifikationer ändras utan föregående meddelande.
- Obs! Specifikationerna kan variera mellan olika länder.

Symboler

ENE101-1

Följande symboler används för utrustningen. Se till att du förstår dess innebörd innan du använder verktyget.



..... Läs bruksanvisningen.



..... Använd skyddsglasögon.

Användningsområde

ENE059-1

Verktyget är avsett för förberedande byggnadsarbete, som t ex att fästa golvbjälkar eller takreglar.

VIKTIGA SÄKERHETSANVISNINGAR

ENB090-2

VARNING! VID ANVÄNDNING AV MASKINEN MÅSTE ALLTID FÖLJANDE GRUNDLÄGGANDE SÄKERHETS FÖRESKRIFTER FÖLJAS FÖR ATT MINIMERA RISKEN FÖR PERSONSKADOR:

LÄS ALLA ANVISNINGAR.

- Läs bruksanvisningen innan verktyget används med hänsyn till din personliga säkerhet och för rätt handhavande och underhåll.
 - Använd alltid skyddsglasögon för att skydda ögonen från damm och spikar.
- VARNING!**
Det är arbetsgivarens ansvar att tillse att skyddsglasögon används av användaren av maskinen

samt av övriga personer i maskinens omedelbara närhet.

- Använd hörselskydd och hjälm. Använd åtsittande, men bekväm, klädsel. Ärmarna ska vara knäppta eller uppkavlade. Bär inte slips.
- Undvik tidspress under arbetet och forcera aldrig maskinen. Hantera maskinen försiktigt. Använd inte maskinen under påverkan av alkohol eller mediciner.
- Allmänna riktlinjer för hantering av maskinen:
 - (1) Förutsätt alltid att verktyget är laddat med spik.
 - (2) Rikta inte verktyget mot dig själv eller någon annan oavsett om det är laddat eller inte.
 - (3) Tryck inte på avtryckaren utan att verktyget hålls stadigt mot ett arbetsstycke.
 - (4) Behandla verktyget som ett arbetsredskap.
 - (5) Det är ingen leksak.
 - (6) Ha inte fingret på avtryckaren medan du håller eller bär på verktyget.
 - (7) Ladda inte verktyget med spikar medan en funktion är aktiverad.
 - (8) Använd inte någon annan strömkälla för verktyget än den som anges i bruks- och säkerhetsanvisningar.
- En maskin som inte fungerar på avsett sätt får inte användas.
- Gnistor kan bildas när verktyget används. Använd därför inte maskinen i närheten av flyktiga eller lättantändliga material, som bensin, thinner, målarfärg, gas, lim osv, eftersom de kan antändas och explodera med allvarliga personskador som följd.
- Arbetsområdet måste ha tillräcklig belysning för att garantera en säker användning. Arbetsområdet ska

- vara rent och fritt från hindrande föremål. Var särskilt uppmärksam på att alltid ha ordentligt föfäste och god balans.
- Obehöriga får inte finnas inom arbetsområdet. Var särskilt noga med att barn inte uppehåller sig inom området.
 - Följ även eventuella lokala föreskrifter om bullernivåer. Under vissa omständigheter kan bullerskärmar behöva användas.
 - Sätt inte kontaktplattan ur funktion: Det förhindrar oavsiktlig avfyrning och måste alltid finnas på plats. Att låsa avtryckaren i läget ON är mycket farligt. Försök under inga omständigheter att spärra avtryckaren. Använd inte verktyget om något funktionsreglage är ur funktion, urkopplat eller inte fungerar på avsett sätt.
 - Använd maskinen inom föreskrivet lufttryck 0,44 - 0,83 MPa (4,4 - 8,3 bar) av säkerhetsskäl och längre livslängd för maskinen. Överskrid inte det rekommenderade maxtrycket 0,83 MPa (8,3 bar). Maskinen får inte anslutas till en kompressor vars kapacitet kan överskrida 1,37 MPa (13,7 bar).
 - Kontrollera att anslutningstrycket inte överskrider maskinens tillåtna maxtryck. Använd i första hand det lägre värdet på rekommenderat tryck (se SPECIFIKATIONER).
 - Försök aldrig att driva verktyget med annat än tryckluft. Om gasflaskor (koldioxid, syre, kväve, väte, luft osv) eller brännbara gaser (väte, propan, acetylen osv) används för att driva maskinen kommer den att explodera och orsaka allvarliga personskador.
 - Kontrollera alltid maskinens allmänna kondition innan du använder den och tillse att det inte finns lösa skruvar. Dra fast skruvarna om det behövs.
 - Kontrollera att alla säkerhetssystem fungerar innan du använder maskinen. Maskinen får inte fungera om du endast trycker på avtryckaren eller endast trycker kontaktarmen mot arbetsstycket. Både avtryckare och säkerhetsspärren måste användas för att starta maskinen. Kontrollera funktionen med tomt magasin och med inmataren helt tillbakadragen.
 - Kontrollera väggar, golv, inner- och yttertak o dyl noggrant för att inte orsaka kortslutning, elstötar, gasläckage, explosioner osv genom att spika i el- eller gasledning.
 - Använd endast spiktyper som specificeras i denna bruksanvisning. Andra typer av spikar kan medföra att maskinen inte fungerar på avsett sätt.
 - Använd aldrig spikpistoler märkta med symbolen "Använd inte på stegar, ställningar" för arbetsuppgifter av följande typ:
 - Om du under arbetets gång måste använda byggnadsställning, trappa, stege eller liknande, t ex takläkt,
 - Spikning av lådor.
 - Montering av transportsäkringar, till exempel på fordon och vagnar.
 - Låt inte obehöriga begagna sig av verktyget.
 - Kontrollera att inga obehöriga finns inom arbetsområdet innan du använder verktyget. Spika aldrig från insidan och utsidan i samma moment. Spikar riskerar att skjutas igenom och/eller iväg och orsaka en allvarlig risksituation.
 - Se till att alltid ha ordentligt föfäste och god balans när du använder verktyget. Kontrollera att andra personer inte befinner sig under dig när du arbetar på hög höjd och säkerställ att tryckluftslangen inte utgör en olycksrisk.
 - På hustak och andra arbetsplatser på hög höjd ska du röra dig framåt medan du spikar. Det är lätt att förlora fötstapet om du rör dig bakåt samtidigt som du spikar. Om du ska spika vertikalt ska du spika uppifrån och ned. Det är mindre tröttande.
 - Om du råkar spika i en annan spik eller i en kvist i trävirket kan spiken böjas eller verktyget fastna. Spiken kan i detta fall kastas iväg och orsaka personskada. Även maskinen i sig kan utgöra en olycksrisk. Var noggrann med var du placerar spikarna.
 - Lämna inte ett laddat verktyg eller en trycksatt kompressor i direkt solljus under längre tid. Förvara maskinen på en plats där den inte riskerar att utsättas för damm, sand, spånor eller andra partiklar.
 - Rikta inte mynningen mot andra personer. Se också till att dina egna händer och fötter inte är i riskzonen.
 - När tryckluftslangen är ansluten ska du inte bära verktyget eller räkka över det till någon annan samtidigt som du har fingret på avtryckaren. Oavsiktlig avfyrning kan vara mycket farligt.
 - Hantera maskinen försiktigt. En spricka orsakad av ovarsam hantering utgör en risk i en trycksatt maskin. Försök aldrig att rista in eller gravera något på verktyget.
 - Avbryt arbetet omedelbart om du misstänker att något är fel eller onormalt med maskinen.
 - Koppla alltid loss luftslangen och ta ur spikarna i följande situationer:
 - (9) När spikmaskinen lämnas utan tillsyn.
 - (10) Inför underhåll och reparationer.
 - (11) När en spik som har fastnat ska tas bort.
 - (12) Innan maskinen flyttas till en annan plats.
 - Rengör och underhåll verktyget direkt efter avslutat arbete. Se till att alltid hålla den i bästa skick. Smörj rörliga delar för att förhindra korrosion och minimera friktionsrelaterad förlitning. Torka bort allt damm från de olika delarna.
 - Gör inga ändringar på verktyget utan tillstånd från Makita.
 - Låt ett auktoriserat Makita servicecenter utföra regelbunden kontroll av verktyget.
 - För att upprätthålla produktens SÄKERHET och TILLFÖRLITLIGHET bör allt underhålls- och justeringsarbete utföras av ett auktoriserat Makita servicecenter och med reservdelar från Makita.
 - Använd endast tryckluftsolja som specificeras i denna bruksanvisning.
 - Anslut aldrig maskinen till en tryckluftsledning som inte är konstruerad för maskinens högsta tillåtna tryck plus 10%. Kontrollera att anslutningstrycket inte överskrider maskinens tillåtna maxtryck. Använd i första hand det lägre värdet på rekommenderat tryck.
 - Försök inte att spärra kontaktelementet i intryckt läge med tejp eller tråd. Det innebär livsfara eller risk för allvarliga olyckor.
 - Kontrollera alltid kontaktelementet enligt anvisningarna i denna bruksanvisning. Spikar kan avfyras oavsiktligt om säkerhetsmekanismen inte fungerar på avsett sätt.

SPARA BRUKSANVISNINGEN.

INSTALLATION

Välja kompressor (Fig. 1)

Luftkompressorn måste uppfylla kraven enligt EN60335-2-34.

Välj en kompressor med lämpligt tryck och luftflöde för en kostnadseffektiv drift. Diagrammet visar sambandet mellan spikfrekvens, applicerat tryck och luftflöde från kompressorn.

Om du ska spika ca 40 spikar i minuten och trycket är 0,69 MPa (6,9 bar), måste kompressorn ge minst 60 L/min.

Tryckregulatorer måste användas för att begränsa trycket till maskinens nominella tryck om tryckluftsystemet ger ett högre tryck. I annat fall finns risk för allvarliga personskador för både användaren och personer i närheten.

Välja tryckluftslang (Fig. 2)

För en effektiv och avbrottsfri användning ska tryckluftslangen vara så kort som möjligt och ha största möjliga diameter. Vid ett lufttryck på över 0,49 MPa (4,9 bar), rekommenderas en luftslang med en innerdiameter på över 6,5 mm (1/4") och en längd mindre än 20 m, när intervallet mellan varje spikning är 0,5 sekunder. Tryckluftslangen ska vara märkt för ett minsta arbetstryck på 1,03 MPa (10,3 bar) eller 150 % av maximala arbetstrycket i systemet beroende på vilket som är högst.

VARNING!

- Låg kompressorkapacitet, lång slang eller liten diameter i förhållande till spikfrekvensen kan minska maskinens spikindrivningskraft.

Smörjning (Fig. 3)

Anslut luftfiltrering (dimsörjning, regulator, luftfilter) så nära maskinen som möjligt för att säkerställa bästa möjliga prestanda. Ställ in dimsörjningen till en droppe olja per 30 spikar.

Om luftfilter/dimsörjning inte används måste du smörja maskinen med två (2) eller tre (3) droppar tryckluftsolja i tryckluftsanslutningen. Detta ska göras både före och efter användningen. Avfyras maskinen några gånger för att smörjmedlet ska spridas på rätt sätt. (Fig. 4)

FUNKTIONSBESKRIVNING

VARNING!

- Koppla alltid ur luftslangen innan du justerar eller funktionskontrollerar maskinen.

Ställa in spikdjup (Fig. 5)

Ställ in spikdjupet genom att vrida inställningsratten. Du får störst spikdjup när du vrider inställningsratten så långt det går i riktning A enligt figuren. Det minskar när ratten vrids i riktning B. Om spikarna inte kan drivas in trots att inställningsratten har vridits helt i riktning A ökar du trycket. Om spikdjupet är för djupt och inställningsratten har vridits helt i riktning B minskar du trycket. I allmänhet ökar maskinens livslängd om du använder ett lägre lufttryck och en lägre djupinställning.

VARNING!

- Koppla alltid bort slangen innan du ändrar djupinställningen.

Hake (Fig. 6)

VARNING!

- Koppla alltid bort slangen från maskinen.
 - Hång aldrig upp maskinen på hög höjd eller placera den på en plats som inte är helt stabil.
- Kroken används för att hänga upp maskinen temporärt.

Justering av spånstyrningen (Fig. 7 och 8)

Spånstyrningen är utformad för jämn spånmatning. Placera spånet i önskat läge.

Vrid spårreglaget medurs för att lossa justeringsplattan. Sätt tillbaka verktyget på spånet så att kontaktarmens utskjutande del trycker på nederkanten av föregående spånrad. Skjut justeringsplattan mot nederkanten av det utskjutande spånet och vrid spårreglaget moturs för att låsa justeringsplattan.

MONTERING

VARNING!

- Koppla alltid ur luftslangen innan något som helst arbete utförs på maskinen.

Ladda spikpistolen (Fig. 9)

Välj en spiktyp som är lämplig för arbetsuppgiften. Tryck på spårreglaget och öppna magasinlocket. Lyft och vrid spikbandets stödplatta så att pilen med spikstorlek på stödplattan pekar mot motsvarande märke på magasinet. Används maskinen med spikbandets stödplatta på fel spår, kan det leda till dålig spikmatning eller att maskinen inte fungerar som den ska. (Fig. 10) Placera spikbandet på dess stödplatta. Rulla ut tillräckligt många spikar för att nå matarklon. Placera den första spiken i drivkanalen och den andra spiken i matarklon. Placera andra uttrullade spikar i matarkroppen. Stäng magasinlocket, efter att du kontrollerat att spikbandet sitter korrekt i magasinet. (Fig. 11)

Ansluta tryckluftslangen (Fig. 12)

Sätt på luftslangens snabbkoppling på spikmaskinens tryckluftsgång. Kontrollera att snabbkopplingen låser slangen. En slangkoppling måste monteras på eller så nära maskinen att trycket släpps när slangen kopplas loss.

ANVÄNDNING

VARNING!

- Kontrollera att alla säkerhetssystem fungerar innan du använder maskinen.
- När du ska spika trycker du kontaktarmen mot arbetsstycket och trycker in avtryckaren, eller (Fig. 13 och 14)
 - Tryck först in avtryckaren och placera sedan kontaktarmen mot arbetsstycket.
- Metod nummer 1 är lämplig när du vill spika in en enstaka spik mycket noggrant och exakt. Metod nummer 2 är lämplig för kontinuerlig spikning.

VARNING!

- Använd inte maskinen utan spikar eftersom det förkortar maskinens livslängd.

Till sekvensutlösare (tillbehör)

När du ska spika trycker du kontaktarmen mot arbetsstycket och trycker in avtryckaren. (Fig. 15)

VARNING!

- NÅR AVTRYCKAREN ÄR HALVVÄGS INTRYCKT kan oväntad spikning inträffa om kontaktelementet kommer i kontakt med arbetsstycket eller något annat föremål under rekyl. För att undvika detta gör du på följande sätt:
 - A. Tryck aldrig kontaktarmen hårt mot arbetsstycket.
 - B. Tryck in avtryckaren helt och håll den intryckt 1 - 2 sekunder efter spikningen.

Fastnad spik (Fig. 16)

VARNING!

- Koppla alltid loss luftslangen och ta ur spikarna från magasinet innan du tar bort spiken som fastnat.

Gör på följande sätt om en spik fastnar:

Öppna magasinlocket och ta sedan bort spikbandet. Sätt i en liten stång eller liknande i mynningen och knacka lätt på den med en hammare för att ta ur spiken som fastnat i mynningen. Sätt tillbaka spikbandet och stäng magasinlocket.

Spikar (Fig. 17)

Var försiktig när du hanterar spikband och spikbandsförpackningar. Om de hanteras ovarsamt kan spikarna deformeras eller lossna vilket leder till dålig spikmatning.

Undvik att förvara spikbanden i mycket fuktiga eller varma utrymmen eller i direkt solljus. (Fig. 18)

UNDERHÅLL

VARNING!

- Koppla alltid loss luftslangen från maskinen före kontroll eller underhåll.

Rengöring och avlägsning av smuts.

Vidhäftning av tjära och smuts på områdena omkring kontaktarmen förhindrar dess fria rörelse (säkerhetsmekanism), och orsakar oavsiktlig avfyrning. Rengör området runt kontaktarmen regelbundet. Använd lösningsmedel som t ex brännolja eller dieselolja. Sänk endast ner kontaktarmen och området runt mynningen i lösningsmedlet och ta bort tjära och smuts med en borste. Bär alltid vattentäta handskar för att skydda dina händer. Sänk aldrig ner höljet, magasinet etc. i lösningsmedlet. Annars kan funktionsstörningar uppstå på maskinen. Kasta alltid bort det använda lösningsmedlet på ett säkert och enligt lokala och nationella föreskrifter. (Fig. 19)

Torka av verktyget före användning. Kvarvarande oljefilm efter rengöringen ökar ansamlingen av tjära, och verktyget behöver tätare rengöring. Efter att verktyget torkats av, ska de rörliga delarna oljas för att förhindra rost och ge god smörjning och drift för de rörliga delarna.

VARNING!

- Använd aldrig bensen eller andra flyktiga vätskor till rengöring. Ånga från sådana vätskor kan komma in i verktyget och tändas på av gnistor som uppstår under spikning och orsaka explosion.

Underhåll av spikmaskinen

Kontrollera alltid maskinens allmänna kondition innan du använder den och tillse att det inte finns lösa skruvar. Dra fast skruvarna om det behövs. (Fig. 20)

Kontrollera dagligen, med fränkopplad maskin, att kontaktarmen och avtryckaren kan röra sig fritt. Använd inte maskinen om kontaktarmen eller avtryckaren kärvar eller fastnar. (Fig. 21)

Smörj maskinen med tryckluftsolja när den inte ska användas under en längre tid och förvara den på en säker plats. Maskinen får inte förvaras i direkt solljus och/eller i fuktigt eller varmt utrymme. (Fig. 22 och 23)

Underhåll av kompressor, luftfilter/dimsmörjning och tryckluftslang (Fig. 24 och 25)

Töm alltid kompressortank och luftfilter efter användning. Fukt som kommer in i maskinen kan leda till sämre prestanda eller fel på maskinen.

Kontrollera regelbundet att det finns tillräckligt med tryckluftsolja i dimsmörjningen. Om smörjningen inte är tillräcklig förslits O-ringarna snabbt. (Fig. 26) Utsätt inte tryckluftslangen för värme (över 60° C, över 140° F) eller kemikalier (tinner, starka syror eller baser). Se också till att slangen löper fritt under arbetet och inte riskerar att fastna vilket kan resultera i att risksituationer uppstår.

Dra också slangen så att den inte riskerar att skadas på skarpa kanter och annat som ger ökad förslitning. (Fig. 27)

För att upprätthålla produktens SÄKERHET och TILLFÖRLITLIGHET bör allt underhålls- och justeringsarbete utföras av ett auktoriserat Makita servicecenter och med reservdelar från Makita.

TILLBEHÖR

VARNING!

- Följande tillbehör och tillsatser rekommenderas för användning tillsammans med den Makita-maskin som denna bruksanvisning avser. Om andra tillbehör eller tillsatser används kan det uppstå risk för personskador. Använd endast tillbehören eller tillsatserna för de syften de är avsedda för.

Kontakta ditt lokala Makita servicecenter om du behöver ytterligare information om dessa tillbehör.

- Spikar
- Tryckluftslangar
- Skyddsglasögon

EU-FÖRSÄKRAN OM ÖVERENSSTÄMMELSE ENH013-5

Vi försäkrar under eget ansvar att denna produkt följer de standarder som anges i följande standardiserade dokument:

EN792 i enlighet med Rådets direktiv 98/37/EC.

CE 2007



Tomoyasu Kato
Direktör

Ansvarig tillverkare:

Makita Corporation

3-11-8, Sumiyoshi-cho, Anjo, Aichi, JAPAN

Auktoriserad representant i Europa:

Makita International Europe Ltd.

Michigan Drive, Tongwell, Milton Keynes, Bucks MK15
8JD, ENGLAND

Forklaring til oversikten

1. Kompressor-luftmengde per minutt	12. Magasinhette	24. Spiker
2. Spikerfrekvens (antall/minutt)	13. Låsehendel	25. Fuktig
3. Pneumatisk verktøyolje	14. Båndstøtteplate	26. Varmt
4. Justeringshjul	15. Graderingstrinn	27. Børste
5. Bøyle	16. Pål	28. Tappekran
6. Kontaktelement	17. Mateklo	29. Luftfilter
7. Platestyring	18. Luftfitting	30. Smøreanordning
8. Plate	19. Luftstøpsel	31. Pneumatisk olje
9. Knast	20. Avtrekker	32. Tynner
10. Justeringsplate	21. Kontaktarm	33. Ovn
11. Hendel	22. Tynn stang	
	23. Munning	

SPESIFIKASJONER

Modell	AN453
Luftrykk	0,44 - 0,83 Mpa (4,4 - 8,3 bar)
Spikerlengde	19 mm – 45 mm
Spikerkapasitet	120 stk.
Minste slangediameter	6,5 mm
Pneumatisk verktøyolje	Turbinolje
Mål (L x H x B)	265 mm x 269 mm x 117 mm
Nettvekt	2,4 kg

- Som følge av vårt kontinuerlige forsknings- og utviklingsprogram kan de tekniske dataene endres uten ytterligere forvarsel.
- Merk: Tekniske data kan variere fra land til land.

Symboler

END101-1

Nedenfor ser du symbolene som brukes for dette utstyret. Forsikre deg om at du forstår hva de betyr før du begynner å bruke verktøyet.



..... Les bruksanvisningen.



..... Bruk vernebriller.

Riktig bruk

ENE059-1

Dette verktøyet er laget for innendørs forarbeid som å feste gulvbjelker eller vanlige bjelker og rammearbeid i 2" x 4"-bygg.

VIKTIGE SIKKERHETSINSTRUKSJONER

ENB090-2

ADVARSEL: NÅR DU BRUKER DETTE VERKTØYET MÅ DU ALLTID FØLGE DE GRUNNLEGGENDE SIKKERHETSINSTRUKSJONENE. DETTE VIL REDUSERE FAREN FOR HELSESKADER, INKLUSIVE FØLGENDE:

LES ALLE INSTRUKSJONENE.

- Av hensyn til din personlige sikkerhet og riktig drift og vedlikehold av verktøyet, må du lese denne brukerhåndboken før du begynner å bruke verktøyet.
- Bruk alltid vernebriller for å beskytte øynene dine mot skader forårsaket av støv eller spiker.

ADVARSEL:

Det er arbeidsgivers ansvar å påse at verktøyoperatørene og alle andre personer i arbeidsområdet umiddelbare omgivelser bruker vernebriller.

- Bruk hørselvern for å beskytte hørselen din mot støv fra luftutløpet, og som hodebeskyttelse. Bruk også lette, men ikke løse klær. Ermer må være kneppt eller rullet opp. Ikke bruk slips.
- Det kan være farlig å forhaste seg i arbeidet, eller å bruke makt på verktøyet. Verktøyet må behandles forsiktig. Ikke bruk verktøyet hvis du har drukket alkohol eller er under påvirkning av legemidler, narkotiske stoffer e.l.
- Generelle retningslinjer for håndtering av verktøyet:
 - (1) Gå alltid ut fra at verktøyet inneholder spikere.
 - (2) Ikke rett verktøyet mot deg selv eller andre, enten det inneholder spikere eller ikke.
 - (3) Ikke aktiver verktøyet med mindre det er plassert godt mot arbeidsstykket.
 - (4) Respekter verktøyet som arbeidsutstyr.
 - (5) Ikke driv med ablegøyer i nærheten av verktøyet.
 - (6) Ikke hold eller bær verktøyet med en finger på avtrekkeren.
 - (7) Ikke lad verktøyet med spikere mens noen av driftskontrollene er aktivert.
 - (8) Ikke bruk verktøyet med noen annen strømkilde enn den som er spesifisert i verktøyet drifts-/ sikkerhetsinstruksjoner.

- Et verktøy som ikke fungerer helt som det skal, må ikke brukes.
- Når verktøyet brukes, kan det av og til fly gnister. Ikke bruk verktøyet i nærheten av flyktige, brennbare materialer som f.eks. bensin, tynner, maling, gass, lim osv. Disse vil antennes og eksplodere, og dermed forårsake alvorlige helseskader.
- Området må være tilstrekkelig opplyst til at det er trygt å bruke verktøyet. Området må være ryddig og fritt for rusk og rask. Vær spesielt påpasselig med å finne godt foffeste og god balanse.
- Bare de som er involvert i arbeidet må være i nærheten. Det er særlig viktig at barn holdes unna til enhver tid.
- Det er mulig at lokale bestemmelser om støybegrensning krever at støynivået må holdes innen visse grenser. I visse tilfeller må det brukes lemmer for å dempe lyden.
- Ikke lek med kontaktelelementet: Det forhindrer utilsiktet avfyring, så det må forbli på og ikke fjernes. Å låse avtrekkeren i ON-stilling er også meget farlig. Forsøk aldri å låse avtrekkeren. Ikke bruk et verktøy hvis noen del av verktøyet driftskontroller er ute av funksjon, frakoblet, modifisert eller ikke virker som de skal.
- Bruk verktøyet innenfor det spesifiserte lufttrykket på 0,44 - 0,83 MPa (4,4 - 8,3 bar) av hensyn til sikkerheten og for at verktøyet skal vare lenger. Ikke overskrid det anbefalte maksimale driftslufttrykket på 0,83 MPa (8,3 bar). Verktøyet må ikke kobles til en kilde med et trykk som potensielt overskrider 1,37 MPa (13,7 bar).
- Pass på at trykket som leveres av trykkluftsystemet ikke overskrider det maksimale tillatte trykket for spikerpistolene. Til å begynne med må du stille inn lufttrykket på den laveste verdien for det anbefalte tillatte trykket (se TEKNISKE DATA).
- Verktøyet må aldri brukes med noe annet enn trykkluft. Hvis komprimert gass på flaske (karbondioksid, oksygen, nitrogen, hydrogen, luft osv.) eller eksplosive gasser (hydrogen, propan, acetylen osv.) brukes som kraftkilde for dette verktøyet, vil det eksplodere og forårsake alvorlige helseskader.
- Kontroller alltid at verktøyet er i generell god stand og ikke har noen løse skruer, før du begynner å bruke det. Trekk til evt. skruer, om nødvendig.
- Pass på at alle sikkerhetssystemene fungerer som de skal før du tar verktøyet i bruk. Verktøyet må ikke starte hvis bare avtrekkeren trekkes, eller hvis bare kontaktelelementet presses mot treet. Den må fungere kun når begge disse tingene gjøres samtidig. Mens verktøyet er tomt for spiker og skyveren er trukket helt tilbake, må du sjekke at verktøyet ikke starter.
- Kontroller vegger, tak, gulv osv. grundig for å unngå mulige elektriske støt, gasslekkasjer, eksplosjoner osv. som kan forårsakes av å treffe strømførende ledninger, rør eller gassledninger med spikerne.
- Bruk kun spikere som angitt i denne håndboken. Hvis det brukes andre spikere, kan verktøyet slutte å fungere som det skal.
- Bruk aldri spikerpistolene merket med symbolet "Må ikke brukes på stillas eller stiger" til visse formål, for eksempel:
 - Når du skifter fra et arbeidssted til et annet, og dette krever at du bruker stillas, trapper, stiger eller stigeliknende konstruksjoner, f.eks. taktrinn.
 - Når du lukker bokser eller kasser.
 - Når du fester transportsikringsystemer, f.eks. på biler eller vogner.
- Ikke la noen bruke verktøyet som ikke har gjennomgått opplæring i bruken av det.
- Pass på at ingen er i nærheten, før du begynner å spikre. Forsøk aldri å spikre både fra innsiden og utsiden på én gang. Spikerne kan gå gjennom og/eller rikosjettere, og utgjøre en alvorlig helsefare.
- Se hvor du går og hold balansen med verktøyet. Pass på at ingen befinner seg under deg når du jobber på høye steder, og sikre luftslangen så det ikke plutselig oppstår en farlig situasjon fordi noen rykker i slangen eller den setter seg fast.
- På toppen av tak og på andre høye steder må du spikre etterhvert som du beveger deg forover. Det er lett å miste balansen hvis du spikrer mens du beveger deg bakover. Når du spikrer mot en vinkelrett overflate, må du spikre ovenfra og ned. Du blir mindre sliten av spikringen hvis du gjør det på denne måten.
- En spiker kan bli bøyd, eller verktøyet kan låse seg hvis du ved en feil spikrer på toppen av en annen spiker, eller treffer en kvist i treet. Spikerne kan rikosjettere og treffe noen, eller verktøyet selv kan reagere på en farlig måte. Plasser spikerne med omhu.
- Ikke la et ladet verktøy eller en luftkompressor under trykk ligge lenge tid av gangen ute i solen. Forvis deg om at støv, sand, trebiter og fremmedlegemer ikke kommer inn i verktøyet der hvor du plasserer det.
- Ikke pek med munningen på noen i nærheten. Hold hender og føtter unna munningsområdet.
- Når luftslangen er tilkoblet, må du ikke bære verktøyet med fingeren på avtrekkeren, eller gi det til noen på denne måten. Utilsiktet avfyring av en spiker kan være uhyre farlig.
- Hånder verktøyet forsiktig. Det inneholder høyt trykk som kan være farlig hvis det oppstår en sprekk i verktøyet på grunn av røff håndtering (fall eller slag). Ikke forsøk å skrape eller inngravere noe i verktøyet.
- Hvis du merker at noe er galt eller uvanlig med verktøyet, må du omgående holde opp å spikre.
- Koble alltid fra luftslangen og ta ut alle spikrene:
 - (9) når du forlater verktøyet ubevoktet
 - (10) før vedlikehold eller reparasjon av verktøyet
 - (11) før en fastkjørt spiker skal tas ut
 - (12) før verktøyet skal flyttes til et annet sted
- Rengjøring og vedlikehold må utføres rett etter at jobben er avsluttet. Hold verktøyet i tipp topp stand. Smør bevegelige deler for å hindre at de ruste og for å minimalisere slitasje som skyldes friksjon. Tørk alt støv av delene.
- Ikke foreta endringer av verktøyet uten godkjenning fra Makita.
- Spør Makitas autoriserte servicesentre om periodisk inspeksjon av verktøyet.
- For å opprettholde produktets SIKKERHET og PÅLITELIGHET, må vedlikehold og reparasjoner utføres av Makitas autoriserte servicesentre, og det må alltid brukes reservedeler fra Makita.
- Bruk bare den pneumatiske verktøyoljen som er angitt i denne håndboken.

- Verktøyet må aldri kobles til en trykkluftforsyning som ikke kan overskride det maksimalt tillatte verktøytrykket med 10 %. Pass på at trykket som leveres av trykkluftsystemet ikke overskrider det maksimalt tillatte trykket for spikerpistolen. Til å begynne med må du stille inn lufttrykket på den laveste verdien for det anbefalte tillatte trykket.
- Ikke prøv å holde avtrekkeren eller kontaktelemetet trykket med tape eller wire. Dette medfører livsfare!
- Kontroller alltid kontaktelemetet som angitt i denne håndboken. Spikere kan avfyres ved et ulykkestilfelle hvis sikkerhetsmekanismen ikke virker som den skal.

TA VARE PÅ DENNE VEILEDNINGEN.

MONTERING

Velge kompressor (Fig. 1)

Luftkompressoren må oppfylle kravene i EN60335-2-34. Velg en kompressor som kan levere tilstrekkelig trykk og luftmengde til å sikre kostnadseffektiv drift. Grafen viser forholdet mellom spikerfrekvensen, det tilgjengelige trykket og kompressorens luftmengde.

Hvis man for eksempel spikrer med en hastighet av ca. 40 spikere i minuttet og et trykk på 0,69 MPa (6,9 bar), er det påkrevet med en kompressor som kan levere mer enn 60 l/min.

Trykkregulatorer må brukes til å begrense lufttrykket til verktøyets merketrykk, der hvor luftforsyningens trykk overskrider verktøyets merketrykk. Gjøres dette ikke, kan følgene bli alvorlige skader på verktøyoperatøren eller personer i nærheten.

Velge luftslange (Fig. 2)

Bruk en luftslange som er så stor og så kort som mulig for å sikre kontinuerlig, effektiv spikring. Med et lufttrykk på 0,49 MPa (4,9 bar), anbefales det en luftslange med en indre diameter på mer enn 6,5 mm (1/4 tomme) og en lengde på mindre enn 20 m når intervallet mellom spikerne er 0,5 sekunder. Luftforsyningslanger må ha et minste merkearbeidstrykk på 1,03 MPa (10,3 bar) eller 150 prosent av det maksimale trykket som produseres i systemet, avhengig av hvilken verdi som er størst.

FORSIKTIG:

- Liten luftmengde ut av kompressoren, eller en lang slange eller en mindre slangediameter i forhold til spikerfrekvensen, kan forårsake en reduksjon i verktøyets spikringskapasitet.

Smøring (Fig. 3)

For å sikre maksimal ytelse bør du installere et luftsett (smøreanordning, regulator, luftfilter) så nært verktøyet som mulig. Juster smøreanordningen slik at en dråpe olje vil bli avgitt for hver 30. spiker.

Når det ikke brukes et luftsett, må du olje verktøyet med den pneumatisk verktøyoiljen ved å påføre luftfittingen 2 (to) eller 3 (tre) dråper. Dette bør gjøres før og etter bruk. For at smøringen skal få best mulig effekt, bør verktøyet avfyres et par ganger etter at den pneumatisk oljen er påført. (Fig. 4)

FUNKSJONSBEKRIVELSE

FORSIKTIG:

- Luftslangen må alltid kobles fra før du justerer eller kontrollerer verktøyets funksjoner.

Justere spikringsdybden (Fig. 5)

For å justere spikringsdybden må du dreie på justeringshjulet. Spikringsdybden er størst når justeringshjulet ikke går lenger i A-retningen, som vist på figuren. Den vil bli mindre når justeringshjulet dreies i B-retningen. Hvis spikerne ikke kan drives langt nok inn, selv om justeringshjulet er dreid til anslag i A-retningen, må du øke lufttrykket. Hvis spikerne drives for langt inn, selv om justeringshjulet er dreid til anslag i B-retningen, må du redusere lufttrykket. Generelt kan det sies at verktøyets levetid vil være lenger hvis verktøyet brukes med lavt lufttrykk og justeringshjulet innstilt på en mindre spikringsdybde.

FORSIKTIG:

- Slangen må alltid kobles fra før du justerer spikringsdybden.

Krok (Fig. 6)

FORSIKTIG:

- Slangen må alltid kobles fra verktøyet.
- Maskinen må aldri henges på kroken høyt over bakken eller på en potensielt ustabil overflate.

Kroken er praktisk å henge opp verktøyet med for kortere tid.

Innstilling av platestyringen (Fig. 7 og 8)

Platestyringen er konstruert for å gi jevn plateutlegging.

Plasser platen i ønsket posisjon.

Drei hendelen mot urviseren for å frigjøre justeringsplaten.

Sett verktøyet tilbake på den utlagte platen slik at utspringene på kontaktelementene trykker ned bunnen av den forrige plateraden. Skyv justeringsplaten opp mot bunnen av den utlagte platen og drei hendelen mot urviseren for å låse justeringsplaten.

MONTERING

FORSIKTIG:

- Luftslangen må alltid kobles fra før du utfører noe arbeid på verktøyet.

Lade spikerpistolen (Fig. 9)

Velg spiker som passer til arbeidet ditt. Trykk ned låsehendelen og åpne magasinhetten.

Løft og drei båndstøtteplaten slik at pilen med spikerstørrelsen vist på båndstøtteplaten, peker mot det tilhørende graderingstrinnet på magasinet. Hvis verktøyet brukes med båndstøtteplaten satt på feil trinn, kan resultatet bli dårlig spikermating eller funksjonsfeil. (Fig. 10)

Plasser spikerbåndet over båndstøtteplaten. Løsne nok spiker til at matekloen kan nås. Sett den første spikeren i stempelkanalen og den neste i matekloen.

Sett andre løse spikre på materdelen. Lukk magasinhetten når du har kontrollert at spikerbåndet er satt riktig i magasinet. (Fig. 11)

Koble til luftslange (Fig. 12)

La luftstøpselet på luftslangen gli inn over luftfittingen på spikerpistolen. Forviss deg om at luftstøpselet går i inngrep når det kobles til luftfittingen. En slangekupling må installeres på eller nær verktøyet på en slik måte at trykkreservoaret utlades i det øyeblikket luftforsyningens kupling kobles fra.

BRUK

FORSIKTIG:

- Pass på at alle sikkerhetssystemene fungerer som de skal før du tar verktøyet i bruk.
- For å drive inn en spiker må du plassere kontaktelementet mot arbeidsstykket og trekke i avtrekkeren, eller (Fig. 13 og 14)
 - Trekke i avtrekkeren først og deretter plassere kontaktelementet mot arbeidsstykket.
- Den første metoden er for avbrutt spikring, når du ønsker å sette inn én spiker forsiktig og meget nøyaktig. Metode nr. 2 brukes til kontinuerlig spikring.

FORSIKTIG:

- Hvis verktøyet brukes uten spiker, reduseres dets levetid. Dette bør unngås.

For sekvensiell avtrekker (tilbehør)

For å drive inn en spiker må du plassere kontaktelementet mot arbeidsstykket og trekke i avtrekkeren. (Fig. 15)

FORSIKTIG:

- NÅR AVTREKKEREN HOLDES HALVVEIS INNE, kan spikre skytes ut uventet, hvis kontaktelementet berører arbeidsstykket eller en annen overflate som følge av rekylen. For å unngå slik uventet spikring, må du gjøre følgende:
- Ikke sett kontaktelementet mot arbeidsstykket med overdreven kraft.
 - Klem avtrekkeren helt inn og hold den inne i 1-2 sekunder etter spikring.

Fastkjørt spiker i spikerpistolen (Fig. 16)

FORSIKTIG:

- Koble fra luftslangen og ta ut spikrene fra magasinet før du løsner fastkjørt spiker.

Når det setter seg fast en spiker i spikerpistolen, må du gjøre følgende:

Åpne magasinhetten og ta ut spikerbåndet. Stikk en tynn stang eller liknende inn i munningen og slå på den med en hammer for drive ut spikeren som er fastkjørt i munningen. Sett tilbake spikerbåndet og lukk magasinhetten.

Spikre (Fig. 17)

Spikerbånd og boksen deres må håndteres forsiktig. Hvis spikerbåndene har vært utsatt for røff behandling, kan de komme ut av stilling, eller kontakten deres kan brenne, noe som gir dårlig spikermating.

Unngå å lagre spiker på et veldig fuktig eller varmt sted, eller et sted som er utsatt for direkte sollys. (Fig. 18)

VEDLIKEHOLD

FORSIKTIG:

- Slangen må alltid kobles fra før du utfører inspeksjoner eller vedlikehold.

Rengjøring og fjerning av tjære og skitt

Tjære og skitt som fester seg i områdene rundt kontaktelementet hindrer kontaktelementet (sikkerhetsmekanisme) i å bevege seg jevnt, noe som forårsaker utilsikket avfyring. Rengjør områdene rundt kontaktelementene regelmessig.

Bruk et løsemiddel som f.eks. parafin, fyringsolje eller diesel.

Dypp bare kontaktelementet og områdene rundt munningen i løsemiddel og fjern tjære og skitt med en børste. Beskytt alltid hendene ved å bruke vannrette hansker. Ikke dypp rammen, magasinet og lignende i løsemiddel. Det kan føre til funksjonsfeil. Kvitt deg alltid med brukt løsemiddel på en trygg og forsiktig måte og i henhold til lokale og nasjonale retningslinjer. (Fig. 19) Tørk av verktøyet før bruk. Oljesøl etter rengjøringen vil føre til at tjære fester seg raskere og at verktøyet må rengjøres oftere. Når verktøyet er tørket av, bør du smøre bevegelige deler med olje for å hindre rustdannelse og sikre god smøring og funksjon av bevegelige deler.

ADVARSEL:

- Ikke bruk bensin eller lignende svært flyktige væsker til rengjøring. Damp fra slike væsker kan trenge inn i verktøyet og antennes av gnister etter spikring og forårsake en eksplosjon.

Vedlikehold av spikerpistolen

Kontroller alltid at verktøyet er i generelt god stand og ikke har noen løse skruer, før du begynner å bruke det. Trekk til evt. skruer, om nødvendig. (Fig. 20)

Foreta den daglige inspeksjonen av verktøyet mens verktøyet er frakoblet. Forviss deg om at kontaktelementet og avtrekkeren kan bevege seg fritt. Ikke bruk verktøyet hvis kontaktelementet eller avtrekkeren gjør motstand eller beveger seg tregt. (Fig. 21)

Når verktøyet ikke skal brukes på lengre tid, må du smøre det med pneumatisk verktøyolje og lagre det på et trygt sted. Unngå å utsette det for direkte sollys og/eller fuktige eller varme omgivelser. (Fig. 22 og 23)

Vedlikehold av kompressoren, luftsettet og luftslangen (Fig. 24 og 25)

Etter bruk må kompressortanken og luftfilteret alltid tømmes. Hvis det kommer fuktighet inn i verktøyet, kan det resultere i dårlig ytelse og mulig verktøydefekt.

Kontroller jevnlig for å se om det er tilstrekkelig med pneumatisk olje i smøreanordningen til luftsettet. Hvis verktøyet ikke tilføres tilstrekkelig med smøreolje, vil o-ringene fort bli slitt. (Fig. 26)

Hold luftslangen unna varme (mer enn 60 °C, mer enn 140 °F) og kjemikalier (tynner, sterke syrer eller baser). Du må også legge slangen utenom hindringer som den kan komme til å sette seg fast i under drift, noe som kan være farlig.

Slanger må også legges utenom skarpe kanter og områder hvor de kan bli skadet eller slitt. (Fig. 27)

For å opprettholde produktets SIKKERHET og PÅLITELIGHET, må reparasjoner, vedlikehold og justeringer utføres av Makitas autoriserte servicesentre, og det må alltid brukes reservedeler fra Makita.

TILBEHØR

FORSIKTIG:

- Du bør bruke dette tilbehøret og verktøyet sammen med den Makita-maskinen som er spesifisert i denne håndboken. Bruk av annet tilbehør og verktøy kan forårsake helseskader. Tilbehør og verktøy må kun brukes til det formålet det er beregnet på.

Ta kontakt med ditt lokale Makita-servicesenter hvis du trenger flere opplysninger om dette tilbehøret.

- Spikere
- Luftslanger
- Vernebriller

EU-SAMSVARERKLÆRING

ENH013-5

Vi tar det hele og fulle ansvar for at dette produktet samsvarer med følgende standarder:

EN792 i samsvar med rådsdirektiv 98/37/EC.

CE 2007



Tomoyasu Kato
Direktør

Ansvarlig produsent:

Makita Corporation

3-11-8, Sumiyoshi-cho, Anjo, Aichi, JAPAN

Autorisert representant i Europa:

Makita International Europe Ltd.

Michigan Drive, Tongwell, Milton Keynes, Bucks MK15
8JD, ENGLAND

Yleiskuvaus

- | | | |
|--|---------------------|--------------------|
| 1. Kompressorin ilmantuotto minuutissa | 10. Säätölevy | 22. Pieni tanko |
| 2. Naulausnopeus (kertaa minuutissa) | 11. Vipu | 23. Ulostuloaukko |
| 3. Paineilmalaitteeseen tarkoitettu koneöljy | 12. Kasetin kansi | 24. Naula |
| 4. Säädin | 13. Salpavipu | 25. Kosteaa |
| 5. Pidike | 14. Käämin tukilevy | 26. Kuuma |
| 6. Yhteyselementti | 15. Asteikko | 27. Harja |
| 7. Kattolaatan ohjain | 16. Nuoli | 28. Tyhjennyshana |
| 8. Kattolaatta | 17. Syöttökynsi | 29. Ilmansuodatint |
| 9. Ulkonema | 18. Paineilmaliitin | 30. Voitelulaite |
| | 19. Letkuliitin | 31. Voiteluöljy |
| | 20. Liipaisin | 32. Tinneri |
| | 21. Varmistinvarsi | 33. Uuni |

TEKNISET TIEDOT

Malli	AN453
Ilmanpaine	0,44 - 0,83 MPa (4,4 - 8,3 bar)
Naulan pituus	19 mm - 45 mm
Naulamäärä	120 kpl
Letkun pienin läpimitta	6,5 mm
Paineilmalaitteeseen tarkoitettu koneöljy	Turbiiniöljy
Mitat (P x K x L)	265 mm x 269 mm x 117 mm
Nettopaino	2,4 kg

- Jatkuvan tutkimus- ja kehitysohjelman vuoksi pidätämme oikeuden muuttaa tässä mainittuja teknisiä ominaisuuksia ilman ennakoilmoitusta.
- Merkintä: Tekniset ominaisuudet saattavat vaihdella maittain.

Merkkien selitykset

END101-1

Laitteessa on käytetty seuraavia symboleja. Varmista ennen käyttöä, että ymmärrät niiden merkityksen.



..... Lue käyttöohje.



..... Käytä suojalaseja.

Käyttötarkoitus

ENE059-1

Työkalu on tarkoitettu rakennusten sisätilojen valmistelutöihin, kuten lattian kannatinpalkkien ja kattorsien korjaamiseen sekä kehystystöihin, joissa käytetään 2"x 4"-puutavaraa.

TÄRKEITÄ TURVAOHJEITA

ENB090-2

VAROITUS: KONETTA KÄYTETTÄESSÄ ON LOUKKAANTUMISVAARAN VÄHENTÄMISEKSI AINA NOUDATETTAVA MUUN MUASSA SEURAAVIA PERUSTAVIA TURVAOHJEITA:

LUE KAIKKI OHJEET.

- Lue tämä ohjekirja ennen koneen käyttöä, jotta osaat käyttää sitä turvallisesti ja oikein sekä pitää sen kunnossa.
- Suojaa silmät pölyn tai naulan aiheuttamilta vaurioilta käyttämällä aina suojalaseja.
- VAROITUS:**
Työnantajan velvollisuuksiin kuuluu valvoa, että koneen käyttäjät ja muut työskentelyalueen välittömässä läheisyydessä olevat käyttävät silmäsuojuksia.
- Suojaa korvat melulta kuulosuojaimilla ja käytä päänsuojasta. Käytä kevyttä, vartalonmyötäistä vaatetusta. Hihat tulee napittaa tai kääriä ylös. Älä käytä solmiota.
- Kiirehtiminen ja koneen pakottaminen on vaarallista. Käsittele konetta varoen. Älä työskentele alkoholin, lääkkeiden tms. vaikutuksen alaisena.
- Yleiset koneen käyttöä koskevat ohjeet:
 - (1) Oleta aina, että kone on ladattu nauloilla.
 - (2) Älä osoita koneella itseäsi äläkä ketään muuta riippumatta siitä, onko se ladattu nauloilla vai ei.
 - (3) Älä laukaise konetta, ellei sitä ole asetettu tiukasti työkappaletta vasten.
 - (4) Suhtaudu työkoneeseen sen edellyttämällä kunnioituksella.
 - (5) Älä pilaile koneella.
 - (6) Älä pitele äläkä kannan konetta sormi liipaisimella.
 - (7) Älä lataa konetta nauloilla, kun jokin ohjain on aktivoituna.
 - (8) Älä käytä konetta muulla kuin koneen käyttö-/turvaohjeissa mainitulla voimanlähteellä.
- Älä käytä virheellisesti toimivaa konetta.
- Konetta käytettäessä saattaa lentää kipinöitä. Älä käytä työkalua haihtuvien tai syttyvien materiaalien kuten bensiinin, tinnerin, maalin, kaasun, liimojen tms. läheisyydessä. Ne saattavat sytyä ja räjähtää ja aiheuttaa vakavia vammoja.

- Alueen tulee olla riittävästi valaistu, jotta työskentely on turvallista. Alueen tulee olla siisti ja roskaton. Huolehdi erityisesti tukevasta jalansijasta ja tasapainosta.
- Vain työhön osallistuvat saavat olla lähettyvillä. Lapset tulee aina pitää loitolla.
- Paikalliset määräykset saattavat rajoittaa melutasoa, jolloin melu on pidettävä näiden rajoitusten mukaisena. Joissain tapauksissa melua on rajoitettava meluesteillä.
- Älä leiki kosketuselementillä: se estää tahattoman laukaisun, joten se on pidettävä päällä eikä sitä saa irrottaa. Liipaisimen lukitseminen ON-asentoon on myös hyvin vaarallista. Älä koskaan yritä lukita liipaisinta. Älä käytä konetta, jos jokin sen ohjaimista ei toimi, ei ole kytketty, sitä on muutettu tai ei toimi moitteettomasti.
- Käytä konetta turvallisuuden vuoksi ja pitkän käyttöiän säilyttämiseksi määrityllä ilmanpaineella 0,44 – 0,83 MPa (4,4 – 8,3 bar). Älä ylitä suositeltua suurinta käyttöpainetta 0,83 MPa (8,3 bar). Konetta ei saa kytkeä lähteeseen, jonka paine voi ylittää 1,37 MPa (13,7 bar).
- Varmista, että paineilmajärjestelmän tuottama paine ei ylitä naulaimelle sallittua suurinta painetta. Aseta ilmanpaine aluksi alemmalle tasolle kuin suositusten mukainen sallittu ilmanpaine (katso TEKNISET TIEDOT).
- Älä koskaan käytä konetta muulla kuin paineilamalla. Jos tämän koneen voimanlähteenä käytetään pulloitettua kaasua (hiilidioksidia, happea, tyypeä, vetyä, ilmaa tms.) tai palavaa kaasua (vetyä, propania, asetyleenia tms.), kone räjähtää ja aiheuttaa vakavan loukkaantumisen.
- Tarkista aina ennen työskentelyä koneen yleinen kunto ja löysät ruuvit. Kiristä tarvittaessa.
- Varmista ennen käyttöä, että kaikki turvajärjestelmät toimivat. Kone ei saa laueta pelkällä liipaisimen painalluksella tai pelkästään siitä, että kosketusvarsi painetaan puuta vasten. Sen tulee toimia vain tehtäessä molemmat toimet. Testaa mahdollinen virhetoiminto ilman nauloja syysäimen ollessa kokonaan takana.
- Tarkista seinät, katot, lattiat, kattorakenteet ja vastaavat huolella välttääksesi sähköjohtoon, kanavaan tai kaasuputkeen osumisen aiheuttaman sähköiskun, kaasuvuodon, räjähdyksen tms.
- Käytä vain tässä ohjekirjassa määritettyjä nauloja. Kaikkien muiden naulojen käyttäminen voi saattaa koneen epäkuntoon.
- Älä koskaan käytä naulainta seuraavanlaisiin erityistiloihin, joissa on merkintä ”Älä käytä telineillä, tikkailla”:
 - jos käyttöpaikan vaihtaminen edellyttää telineiden, portaiden, tikkaiden tai vastaavien rakennelmien kuiten kattorimoituksen käyttöä,
 - laatikoiden tai häkkien sulkeminen,
 - kuljetuksenaikaisten turvajärjestelmien kiinnittäminen esim. ajoneuvoihin tai vauvuihin.
- Älä salli koneen käyttöön perehtymättömien käyttää konetta.
- Varmista ennen naulaamista, ettei lähellä ole ketään. Älä koskaan naulaa samaan aikaan sekä sisä- että ulkopuolelta. Naulat voivat tunkeutua läpi ja/tai kimmota ja aiheuttaa vakavia vaaratilanteita.
- Huolehdi jalansijasta ja säilytä tasapaino käsitellessäsi konetta. Varmista, ettei allasi ole ketään, kun työskentelet korkeissa paikoissa. Kiinnitä ilmaletku välttääksesi vaaran, joka voi aiheutua äkillisestä näkyäisistä tai takertumisesta.
- Naulaa edeten katolla ja muissa korkeissa paikoissa. Jalansijan menettäminen on helppoa, jos naulaat peruuttamalla. Kun naulaat kohtisuoraa pintaa vasten, naulaa edeten ylhäältä alas. Naulaaminen on vähemmän väsyttävää, kun naulaat näin.
- Naula vääntyy tai kone jumittuu, jos naulaat erehdyksessä toisen naulan päälle tai osut puun oksankootaan. Naula voi sinkoutua ja osua johonkuhun, tai kone itse voi reagoida vaarallisesti. Sijoita naulat huolellisesti.
- Älä jätä ladattua konetta tai paineistettua ilmakompressoria pitkäksi aikaa auringonpaisteeseen. Varmista, että pöly, hiekka, lastut ja vieraat aineet eivät pääse koneeseen paikkaa, johon lasket sen.
- Älä osoita ulostuloaukkoa kehenkään lähellä olevaan. Pidä kädet ja jalat etäällä ulostuloaukon tuntumasta.
- Kun ilmaletku on kytketty, älä kanna konetta sormi liipaisimella äläkä ojenna sitä kellekään tässä tilassa. Tahaton laukaisu voi olla hyvin vaarallista.
- Käsittele konetta varovasti, koska sen sisällä oleva korkea paine voi olla vaaraksi, jos kovakourainen käsittely (pudotaminen tai iskeminen) rikkoo kuoren. Älä tee koneeseen kaiverruksia.
- Lopeta naulaaminen välittömästi, jos havaitset koneessa jotain vikaa tai tavallisesta poikkeavaa.
- Irrota aina ilmaletku ja kaikki naulat:
 - (9) koneen ollessa vartioimatta.
 - (10) ennen kunnossapito- ja korjaustöitä.
 - (11) ennen tukoksen selvittämistä.
 - (12) ennen koneen siirtämistä uuteen paikkaan.
- Tee puhdistus- ja kunnossapitotyöt heti työn päättämisen jälkeen. Pidä kone huippukunnossa. Voitele liikkuvat osat estääksesi ruostumisen ja minimoidaksesi kitkasta johtuvan kulumisen. Pyyhi pois kaikki lika osista.
- Älä tee koneeseen muutoksia ilman Makitan lupaa.
- Huollata kone säännöllisesti Makitan valtuuttamassa huoltooliikkeessä.
- Tuotteen TURVALLISUUDEN ja LUOTETTAVUUDEN takaamiseksi kunnossapito ja korjaukset tulee teettää Makitan valtuutetussa huoltopisteessä Makitan varaosia käyttäen.
- Käytä vain tässä ohjekirjassa ilmoitettua, paineilmalaitteisiin tarkoitettua koneöljyä.
- Älä kytke työkalua paineilmalinjaan, joka ei mahdollista työkalun suurimman sallitun paineen ylitystä 10%:lla. Varmista, että paineilmajärjestelmän tuottama paine ei ylitä naulaimelle sallittua suurinta painetta. Aseta ilmanpaine aluksi pienemmäksi kuin suositusten mukainen suurin sallittu ilmanpaine.
- Älä yritä lukita kärkivarmistinta teipillä tai rautalangalla. Seurauksena voi olla loulema tai vakava vammautuminen.
- Tarkista kärkivarmistin tässä ohjekirjassa neuvotulla tavalla. Naulain saattaa laueta vahingossa, jos turvamekanismi ei toimi moitteetta.

SÄILYÄ NÄMÄ OHJEET.

ASENNUS

Kompressorin valitseminen (Kuva. 1)

Ilmakompressorin on oltava yhteensopiva EN60335-2-34. vaatimusten kanssa.

Valitse kustannustehokkaan käytön varmistamiseksi kompressorin, jossa on riittävä paine ja ilmantuotto. Kaavio näyttää naulausnopeuden, käytettävän paineen ja kompressorin ilmantuoton väliset suhteet.

Jos naulaus tapahtuu esimerkiksi noin 40 kertaa minuutissa paineella 0,69 MPa (6,9 bar), tarvitaan kompressorin, jonka ilmantuotto on yli 60 l/min.

Ilmanpaine tulee rajoittaa paineensäätimellä työkalun nimellispaineele, jos ilman tulopaine ylittää työkalun nimellispaineen. Jos et toimi näin, voi seurauksena olla käyttäjän tai ympärillä olevien vakava loukkaantuminen.

Ilmaletkun valinta (Kuva. 2)

Käytä mahdollisimman suurta ja lyhyttä ilmaletkua, jotta naulaus olisi jatkuvasti tehokasta. Ilmanpaineen arvo, joka on 0,49 MPa (4,9 bar), ilmaletku, joka on läpimitaltaan yli 6,5 mm (1/4") ja pituudeltaan vähemmän, kuin 20 m on tarpeen, kun jokainen naulausväli on 0,5 sekunnin välillä. Ilmaletkujen vähimmäistyöpainearvon tulee olla 1,03 MPa (10,3 bar) tai 150 prosenttia järjestelmän tuottamasta enimmäispaineesta sen mukaan, kumpi on korkeampi.

HUOMAUTUS:

- Naulaustihyteen suhteutettuna pieni kompressorin ilmantuotto ja pitkä tai pieni ilmaletku voi heikentää työkalun iskutehoa.

Rasvaaminen (Kuva. 3)

Jotta työkalun teho pysyisi mahdollisimman hyvänä, asenna ilmasarja (voitelulaite, paineensäädin ja ilmasuodatin) mahdollisimman lähelle työkalua. Säädä voitelulaite siten, että 30:tä naulaa kohden tulee yksi öljypisara.

Kun ilmasarjaa ei käytetä, voitele kone pneumaattisella koneöljyllä laittamalla ilma-aukon liittimeen kahdesta kolmeen pisaraa öljyä. Tämä tulee tehdä ennen käyttöä ja sen jälkeen. Jotta voitelu leviäisi kunnolla, työkalulla pitää ampua muutama kerta pneumaattisen koneöljyn lisäämisen jälkeen. (Kuva. 4)

TOIMINTAKUVAUS

HUOMAUTUS:

- Irrota ilmaletku aina ennen kuin teet säätöjä tai tarkistat naulaimen toimintoja.

Naulaussyvyyden säätö (Kuva. 5)

Naulaussyvyys säädetään kääntämällä säädintä.

Naulaussyvyys on syvin, kun säädin on käännetty täysin suuntaan A kuten kuvassa. Se muuttuu matalammaksi, kun säädintä käännetään suuntaan B. Lisää ilmanpainetta, jos naula ei mene tarpeeksi syvälle, vaikka säädin on käännetty täysin suuntaan A. Vähennä ilmanpainetta, jos naula menee liian syvälle, vaikka säädin on käännetty täysin suuntaan B. Yleisesti ottaen koneen käyttöikä on sitä pidempi, mitä alemmaa ilmanpainetta ja matalampaa naulaussyvyyttä käytetään.

HUOMAUTUS:

- Irrota paineilmaletku aina ennen naulaussyvyyden säätämistä.

Koukku (Kuva. 6)

HUOMAUTUS:

- Irrota aina paineilmaletku nauaimesta.
- Älä koskaan ripusta työkalua korkeaan paikkaan tai epävakaaile alustalle.

Työkalu voidaan kätevästi ripustaa väliaikaisesti koukkuun.

Kattolaatan ohjaimen säätö (Kuva. 7 ja 8)

Kattolaatan ohjain on suunniteltu jatkuvalle kattolaatan paljastukselle. Sijoita kattolaatta haluttuun asemaan. Kierrä vipua myötäpäivään säätölevyn vapauttamiseksi. Aseta työkalu uudelleen paljastetulle kattolaatalla siten, että yhteyslementin ulkonemat painavat alas edellisen kattolaattarivin. Liu'uta säätölevy ylös paljastetun kattolaatan pohjaa vasten ja kierrä vipua vastapäivään säätölevyn lukitsemiseksi.

KOKOONPANO

HUOMAUTUS:

- Irrota ilmaletku aina ennen kuin teet naulaimella mitään.

Naulaimen lataaminen (Kuva. 9)

Valitse työlle sopivat nauulat. Paina salpavipu alas ja avaa kasetin kupu.

Nosta ja kierrä kelan tukilevyä siten, että nauulan ko'on osoittava nuoli kelan tukilevyllä osoittaa vastaavaan astelisyäkseen, joka on merkitty kasettiin. Jos työkalua käytetään siten, että kelan tukilevy on asetettu väärää portaaseen, se saattaa aiheuttaa huonoa naulausyöttöä tai työkalun häiriön. (Kuva. 10)

Aseta naulakela kelan kannattaman levyn yli. Purkaa tarpeeksi nauloja tavoittaaksesi syöttökynsi. Aseta ensimmäinen naula ohjainkanavaan ja toinen naula syöttökynteen.

Aseta toiset puratut nauulat syöttäjän runkoon. Sulje kasetin kupu, kun olet tarkistanut, että naulakela on sopivasti asetettu kasettiin. (Kuva. 11)

Ilmaletkun kiinnittäminen (Kuva. 12)

Sujauta ilmaletkun hylsy naulaimen ilma-aukon liittimeen. Varmista, että hylsy lukittuu tiukasti paikalleen, kun kiinnität sen ilma-aukon liittimeen. Koneeseen tai sen lähelle on asennettava letkunliitin siten, että paine purkautuu, kun ilmasyötön liitin irrotetaan.

KÄYTTÖ

HUOMAUTUS:

- Varmista ennen käyttöä, että kaikki turvajärjestelmät toimivat.
- 1. Kun haluat kiinnittää nauulan, voit joko asettaa kosketuselementin työkaluun vasten ja painaa liipaisinta tai
- 2. Paina ensin liipaisinta ja sitten aseta kosketuselementti työkaluun vasten.

- Menetelmä 1 on jaksottaista nauлаusta varten, kun halutaan kiinnittää nauла varovasti ja erittäin tarkasti. Menetelmä 2 on jatkuvaa nauлаusta varten.

HUOMAUTUS:

- Työkalun käyttö ilman nauлоja lyhentää työkalun käyttöikää ja tulisi välttää.

Jaksottaiseen liipaisimen kytkemiseen (lisävaruste)

Kun haluat kiinnittää nauлан, voit joko asettaa kosketuselementin työkalupäätä vasten ja painaa liipaisinta. **(Kuva. 15)**

HUOMAUTUS:

- JOS LIIPAISIN ON PUOLIKSI PAINETTUNA, naulain voi laueta yllättäen, jos karkivarmistin osuu uudelleen työkalupäälleen tai muuhun pintaan rekyylin vaikutuksesta. Toimi seuraavasti välttääksesi tämän yllättävän nauلان laukeamisen:
 - A. Älä aseta kosketuselementtiä liian voimakkaasti työkalupäätä vasten.
 - B. Paina liipaisin pohjaan ja pidä sitä paikallaan 1–2 sekuntia nauлаuksen jälkeen.

Tukkeutunut nauলা (Kuva. 16)

HUOMAUTUS:

- Kytke aina ilmaletku irti ja poista nauлат kasetista ennen tukkeutumisen siivousta.

Kun naulain tukkeutuu, toimi seuraavasti:

Avaa kasetin kupu ja poista nauлакela. Työnnä pieni tanko tai vastaava ulostuloaukkoon ja napauta sitä vasaralla, jotta juuttuvat nauлат ajautuisivat pois ulostuloaukosta. Aseta nauлакela takaisin ja sulje kasetin kupu.

Nauлат (Kuva. 17)

Käsittele nauларullia ja niiden laatikkoa varovasti. Jos nauларullia käsitellään kovakouraisesti, ne voivat vääntyä tai niiden liitokset rikkoutua, mikä aiheuttaa heikon nauласyötön.

Älä säilytä nauлоja erittäin kosteissa tai kuumissa tiloissa äläkä suorassa auringonvalossa. **(Kuva. 18)**

KUNNOSSAPITO

HUOMAUTUS:

- Irrota aina ilmaletku työkalusta ennen tarkastus- tai kunnossapitotoimien suorittamista.

Tervan ja lian puhdistaminen ja poistaminen

Tervan ja lian tarttuminen yhteyslementtien alueelle estää yhteyslementtien kitkattoman liikkumisen (turvamekanismi), joka voi aiheuttaa satunnaisen purkautumisen. Puhdista aika ajoin yhteyslementtien ympärillä olevat alueet.

Käytä liuotinta, kuten kerosiinia, #2 polttoöljyä tai dieselöljyä.

Upota ainoastaan yhteyslementti ja ulosheitto-portin ympärillä olevat alueet liuottimeen ja poista terva ja lika harjalla. Käytä aina vesitiiviitä käsineitä käsiesi suojaksi. Älä koskaan upota vaippaa, kasettia, jne. liuottimeen. Se saattaa aiheuttaa työkalun toimintahäiriön. Hävitä aina käytetty liuotin turvallisella ja järkevällä toimenpiteellä ja

kaikkia paikallisia ja kansallisia vaatimuksia noudattaen. **(Kuva. 19)**

Kuivata työkalu ennen käyttöä. Kaikki puhdistamisen jälkeen jääneet öljykalvot jouduttavat tervan kerääntymistä, ja työkalu vaatii useammin uudelleen puhdistamista. Työkalun kuivattamisen jälkeen öljyä liikkuvat osat ruostumisen ehkäisemiseksi ja varmistaaksesi liikkuvien osien hyvä voitelu ja toiminta.

VAROITUS:

- Älä koskaan käytä bensiiniä tai muuta hyvin tulenarkaa nestettä puhdistamiseen. Tämänlaisten nesteiden höyry voi tunkeutua työkaluun ja se voi syttyä nauлаuksen aikana syntyvistä kipinöistä, aiheuttaen näin räjähdyksen.

Naulainen kunnossapito

Tarkista aina ennen työskentelyä koneen yleinen kunto ja löysät ruuvit. Kiristä tarvittaessa. **(Kuva. 20)**

Kun työkalu on irrotettu, tarkasta päivittäin kosketuselementin ja liipaisimen vapaa liikkuvuus. Älä käytä työkalua, jos kosketuselementti tai liipaisin juuttuu kiinni tai takertelee. **(Kuva. 21)**

Jos konetta ei käytetä pitkään aikaan, voitele se pneumaattisella koneöljyllä ja säilytä konetta turvallisessa paikassa. Älä altista konetta suoralle auringonvalolle äläkä kosteille tai kuumille oloille. **(Kuva. 22 ja 23)**

Kompressorin, ilmasarjan ja ilmaletkun kunnossapito (Kuva. 24 ja 25)

Tyhjennä kompressorin säiliö ja ilmansuodatin aina käytön jälkeen. Jos koneeseen pääsee kosteutta, voi seurauksena olla huono toimivuus ja koneen mahdollinen rikkoutuminen.

Tarkista säännöllisesti, että ilmasarjan voitelulaitteessa on riittävästi pneumaattista öljyä. Riittämätön voitelu aiheuttaa O-renkaiden nopean kulumisen. **(Kuva. 26)**

Pidä ilmaletku loitolla kuumuudesta (yli 60°C, yli 140°F) ja kemikaaleista (tinneri, voimakkaat hapot ja emäkset). Ohjaa letku pois esteistä, joihin se voi tarttua vaarallisesti työskentelyn aikana.

Letku on aina ohjattava pois terävistä kulmista ja alueilta, joissa letku on vaarassa rikkoutua tai hankautua.

(Kuva. 27)

Tuotteen TURVALLISUUDEN ja LUOTETTAVUUDEN takaamiseksi korjaukset, muut huoltotyöt ja säädöt on teetettävä Makitan valtuutetussa huoltopisteessä Makitan varaosia käyttäen.

LISÄVARUSTEET

HUOMAUTUS:

- Seuraavia lisävarusteita tai laitteita suositellaan käytettäväksi tässä ohjeessa kuvatus Makita-työkalun kanssa. Muiden lisävarusteiden tai laitteiden käyttö voi aiheuttaa henkilövahinkoja. Käytä lisävarustetta tai laitetta vain ilmoitettuun käyttöä tarkoitukseen.

Jos tarvitset lisätietoja varusteista, ota yhteyttä Makitan paikalliseen huoltopisteeseen.

- Nauлат
- Ilmaletkut
- Suojalasit

VAATIMUSTENMUKAISUUSILMOITUS

ENH013-5

Makita ilmoittaa vastaavansa siitä, että tuote täyttää

seuraavien standardien vaatimukset:

EN792 neuvoston direktiivin 98/37/EY mukaisesti.

CE 2007

Tomoyasu Kato
Johtaja

Vastuullinen Valmistaja:

Makita Corporation

3-11-8, Sumiyoshi-cho, Anjo, Aichi, JAPAN

Valtuutettu Edustaja Euroopassa:

Makita International Europe Ltd.

Michigan Drive, Tongwell, Milton Keynes, Bucks MK15

8JD, ENGLAND

Περιγραφή γενικής όψης

- | | | |
|---------------------------------------|--------------------------------|--|
| 1. Έξοδος αέρα συμπιεστή ανά λεπτό | 11. Μοχλός | 24. Καρπί |
| 2. Συχνότητα καρφώματος (φορές/λεπτό) | 12. Καπάκι γεμιστήρα | 25. Νοτισμένο |
| 3. Λάδι για εργαλεία πεπιεσμένου αέρα | 13. Μοχλός κλειδώματος | 26. Ζεστό |
| 4. Ρυθμιστής | 14. Πλάκα στήριξης της ταινίας | 27. Βούρτσα |
| 5. Γάντζος | 15. Διαβάθμιση | 28. Κρουνός αποστράγγισης |
| 6. Στοιχείο επαφής | 16. Βέλος | 29. Φίλτρο αέρα |
| 7. Οδηγός σανίδα | 17. Προεξοχή τροφοδοσίας | 30. Λιπαντήρας |
| 8. Σανίδα | 18. Προσάρτημα αέρα | 31. Λάδι για εργαλεία πεπιεσμένου αέρα |
| 9. Προεξοχή | 19. Υποδοχή αέρα | 32. Διαλύτης |
| 10. Έλασμα ρύθμισης | 20. Σκανδάλη | 33. Θερμάστρα |
| | 21. Βραχίονας επαφής | |
| | 22. Μικρή ράβδος | |
| | 23. Θύρα εκτίναξης | |

ΠΡΟΔΙΑΓΡΑΦΕΣ

Μοντέλο	AN453
Πίεση αέρα	0,44 - 0,83 Μpa (4,4 - 8,3 bar)
Μήκος καρφιού	19 mm - 45 mm
Χωρητικότητα καρφιών	120 τεμάχια
Ελάχιστη διάμετρος σωλήνα	6,5 mm
Λάδι για εργαλεία πεπιεσμένου αέρα	Λάδι στροβίλου
Διαστάσεις (Μ Χ Υ Χ Π)	265 mm X 269 mm X 117 mm
Καθαρό βάρος	2,4 kg

- Λόγω του συνεχόμενου προγράμματος που εφαρμόζουμε για έρευνα και ανάπτυξη, τα τεχνικά χαρακτηριστικά στο παρόν έντυπο υπόκεινται σε αλλαγή χωρίς προειδοποίηση.
- Σημείωση: Τα τεχνικά χαρακτηριστικά μπορεί να διαφέρουν ανάλογα με τη χώρα.

Σύμβολα

ENE101-1

Παρακάτω παρουσιάζονται τα σύμβολα που χρησιμοποιούνται για τον εξοπλισμό. Βεβαιωθείτε ότι κατανοείτε τη σημασία τους πριν από τη χρήση.



..... Διαβάστε το εγχειρίδιο οδηγιών.



..... Να φοράτε γυαλιά προστασίας.

Προοριζόμενη χρήση

ENE059-1

Το εργαλείο προορίζεται για προκαταρκτικές εργασίες σε εσωτερικά μέρη όπως για τη στερέωση ενώσεων στο πάτωμα ή για κοινές εργασίες σε δοκούς στέγης και σκελετούς με 5 χιλ περίβλημα.

ΣΗΜΑΝΤΙΚΕΣ ΟΔΗΓΙΕΣ ΑΣΦΑΛΕΙΑΣ

ENE090-2

ΠΡΟΕΙΔΟΠΟΙΗΣΗ: ΟΤΑΝ ΧΡΗΣΙΜΟΠΟΙΕΙΤΕ ΑΥΤΟ ΤΟ ΕΡΓΑΛΕΙΟ, ΠΑΝΤΟΤΕ ΠΡΕΠΕΙ ΝΑ ΑΚΟΛΟΥΘΕΙΤΕ ΟΛΕΣ ΤΙΣ ΒΑΣΙΚΕΣ ΠΡΟΦΥΛΑΞΕΙΣ ΓΙΑ ΤΗΝ ΑΣΦΑΛΕΙΑ ΓΙΑ ΝΑ ΜΕΙΩΣΕΤΕ ΤΟΝ ΚΙΝΔΥΝΟ ΠΡΟΣΩΠΙΚΟΥ ΤΡΑΥΜΑΤΙΣΜΟΥ, ΣΥΜΠΕΡΙΛΑΜΒΑΝΟΜΕΝΩΝ ΤΩΝ ΠΑΡΑΚΑΤΩ:

ΔΙΑΒΑΣΤΕ ΟΛΕΣ ΤΙΣ ΟΔΗΓΙΕΣ.

- Για την προσωπική ασφάλεια και τη σωστή λειτουργία και συντήρηση του εργαλείου,

διαβάστε αυτό το εγχειρίδιο οδηγιών πριν χρησιμοποιήσετε το εργαλείο.

- Να φοράτε πάντοτε γυαλιά προστασίας για να προστατεύετε τα μάτια σας από τραυματισμό λόγω σκόνης ή καρφιών.

ΠΡΟΕΙΔΟΠΟΙΗΣΗ:

Ο εργοδότης έχει την ευθύνη να επιβάλλει τη χρήση προστατευτικού εξοπλισμού για τα μάτια από τους χειριστές του εργαλείου και τα άλλα άτομα που βρίσκονται στην άμεση περιοχή εργασίας.

- Να φοράτε ωτοασπίδες για να προστατεύετε τα αυτιά σας από το θόρυβο της εξάτμισης, καθώς και προστατευτικά κεφαλής. Επίσης, να φοράτε ελαφρά, αλλά όχι φαρδιά ρούχα. Τα μανίκια πρέπει να είναι κουμπωμένα ή ανεβασμένα. Δεν πρέπει να φοράτε γραβάτα.
- Είναι επικίνδυνο να εργάζεστε με βιασύνη ή να ασκείτε δύναμη στο εργαλείο. Να χειρίζεστε το εργαλείο προσεχτικά. Μη θέτετε το εργαλείο σε λειτουργία υπό την επίηρη αλκοόλ, φαρμάκων ή παρόμοιων ουσιών.
- Γενικές Οδηγίες Για Το Χειρισμό Του Εργαλείου:
 - (1) Να θεωρείτε πάντοτε ότι το εργαλείο περιέχει καρφιά.
 - (2) Μη στρέφετε το εργαλείο προς το μέρος σας ή προς οποιονδήποτε άλλον, ανεξάρτητα αν περιέχει ή όχι καρφιά.

- (3) Μην ενεργοποιείτε το εργαλείο εκτός αν βρίσκεται τοποθετημένο σταθερά επάνω στο τεμάχιο εργασίας.
 - (4) Να παίρνετε το εργαλείο στα σοβαρά κατά την εκτέλεση της εργασίας.
 - (5) Μην αστειεύεστε με το εργαλείο.
 - (6) Μην κρατάτε και μη μεταφέρετε το εργαλείο με το δάκτυλό σας στη σκανδάλη.
 - (7) Μη γεμίζετε το εργαλείο με καρφιά όταν είναι ενεργοποιημένο κάποιο από τα χειριστήρια λειτουργίας.
 - (8) Μη θέτετε το εργαλείο σε λειτουργία με οποιαδήποτε πηγή ενέργειας εκτός από εκείνη που καθορίζεται στις οδηγίες λειτουργίας/ασφάλειας του εργαλείου.
- Μη χρησιμοποιείτε κάποιο εργαλείο που δεν λειτουργεί σωστά.
 - Μερικές φορές πετάνονται σπινθήρες κατά τη χρήση του εργαλείου. Μη χρησιμοποιείτε το εργαλείο κοντά σε πτητικά, εύφλεκτα υλικά όπως βενζίνη, νέφτι, μπογιά, γκάζι, κόλλα, κλπ. Θα αναφλεγούν και θα εκραγούν με αποτέλεσμα το σοβαρό τραυματισμό.
 - Η περιοχή πρέπει να είναι επαρκώς φωτισμένη για να υπάρχει ασφάλεια στην εργασία. Η περιοχή πρέπει να είναι καθαρή και χωρίς απορρίμματα. Να είστε ιδιαίτερα προσεκτικοί και να στέκεστε σταθερά και ισορροπημένα.
 - Μόνο οι εργαζόμενοι πρέπει να βρίσκονται στην περιοχή εργασίας. Ιδιαίτερα τα παιδιά ποτέ δεν πρέπει να πλησιάζουν.
 - Ενδεχομένως να υπάρχουν τοπικοί κανονισμοί που αφορούν το θόρυβο και στους οποίους πρέπει να συμμορφώνεστε διατηρώντας τη στάθμη θορύβου εντός των προδιαγραφόμενων ορίων. Σε ειδικές περιπτώσεις πρέπει να χρησιμοποιούνται παραπετάσματα για τον περιορισμό του θορύβου.
 - Μην παίζετε με το στοιχείο επαφής: Αυτό εμποδίζει την τυχαία εκφόρτωση. Για το λόγο αυτό, πρέπει να παραμένει πάντοτε στη θέση του και να μην αφαιρείται. Είναι επίσης πολύ επικίνδυνο να ασφαλίσετε τη σκανδάλη στην ανοικτή θέση (ON). Ποτέ μην επιχειρήσετε να ασφαλίσετε τη σκανδάλη. Μη θέσετε το εργαλείο σε λειτουργία αν οποιοδήποτε τμήμα των χειριστηρίων λειτουργίας είναι χαλασμένο, αποσυνδεδεμένο, τροποποιημένο ή δεν λειτουργεί σωστά.
 - Να θέτετε το εργαλείο σε λειτουργία εντός των καθορισμένων ορίων πίεσης αέρα των 0,44 – 0,83 MPa (4,4 – 8,3 bar) για ασφάλεια και μακρύτερη ζωή του εργαλείου. Μην υπερβείτε τη συνιστώμενη μέγιστη πίεση λειτουργίας των 0,83 MPa (8,3 bar). Το εργαλείο δεν πρέπει να συνδέεται σε πηγή της οποίας η πίεση πιθανόν να υπερβαίνει τα 1,37 MPa (13,7 bar).
 - Βεβαιωθείτε ότι η παρεχόμενη πίεση από το σύστημα πεπιεσμένου αέρα δεν υπερβαίνει τη μέγιστη επιτρεπόμενη πίεση του καρφωτικού εργαλείου. Ρυθμίστε αρχικά την πίεση αέρα στη χαμηλότερη τιμή της συνιστώμενης επιτρεπόμενης πίεσης (βλ. ΤΕΧΝΙΚΑ ΧΑΡΑΚΤΗΡΙΣΤΙΚΑ).
 - Μη χρησιμοποιείτε ποτέ το εργαλείο με ο,τιδήποτε άλλο εκτός από πεπιεσμένο αέρα. Αν χρησιμοποιηθεί εμφιαλωμένο αέριο (διοξειδίο άνθρακα, οξυγόνο, άζωτο, υδρογόνο, αέρα, κτλ.) ή εύφλεκτο αέριο (υδρογόνο, προπάνιο, ακετυλένιο, κτλ.) ως πηγή ενέργειας για το εργαλείο αυτό, το εργαλείο θα εκραγεί και θα προκληθεί σοβαρός τραυματισμός.
 - Πριν από τη λειτουργία, να ελέγχετε πάντοτε τη γενική κατάσταση του εργαλείου, αλλά και αν οι βίδες είναι χαλαρές. Σφίξτε όπως απαιτείται.
 - Να βεβαιώνετε ότι όλα τα συστήματα ασφάλειας βρίσκονται σε καλή κατάσταση πριν από τη λειτουργία. Το εργαλείο δεν πρέπει να λειτουργεί αν μόνο πιεστεί η σκανδάλη ή αν μόνο πατηθεί ο βραχίονας επαφής επάνω στο ξύλο. Πρέπει να λειτουργεί μόνο όταν εκτελούνται και οι δύο ενέργειες. Δοκιμάστε για πιθανή ελαττωματική λειτουργία όταν το εργαλείο δεν είναι γεμισμένο με καρφιά και ο ωθητής βρίσκεται στην πλήρη τραβηγμένη θέση.
 - Να ελέγχετε προσεκτικά τους τούχους, τις οροφές, τα πατώματα, τις στέγες και παρόμοιες κατασκευές για να αποφεύγετε πιθανή ηλεκτροπληξία, διαρροή αερίου, εκρήξεις, κτλ. που προκαλούνται από κτυπήματα ηλεκτροφόρων καλωδίων, αγωγών ή σωλήνων αερίων.
 - Να χρησιμοποιείτε μόνο καρφιά που καθορίζονται στο εγχειρίδιο αυτό. Αν χρησιμοποιήσετε άλλα καρφιά, μπορεί να προκληθεί δυσλειτουργία του εργαλείου.
 - Ποτέ μη χρησιμοποιήσετε καρφωτικά εργαλεία που φέρουν την ένδειξη «Μη χρησιμοποιείτε σε σκαλωσιές, σκάλες, κτλ.» για ειδικές εφαρμογές όπως για παράδειγμα:
 - κατά την αλλαγή από μια τοποθεσία καρφώματος σε μια άλλη χρησιμοποιούνται σκαλωσιές, σκαλοπάτια, σκάλες ή άλλες παρόμοιες κατασκευές, π.χ. σανίδες σκεπών,
 - κατά το κλείσιμο κιβωτίων ή τελαρών,
 - κατά την εφαρμογή συστημάτων ασφάλειας μεταφορών π.χ. σε οχήματα και βαγόνια.
 - Μην επιτρέπετε σε ανειδίκευτα άτομα να χρησιμοποιούν το εργαλείο.
 - Να βεβαιώνετε ότι δεν βρίσκεται κανένας κοντά πριν από το κάρφωμα. Ποτέ μην επιχειρήσετε να καρφώσετε ταυτόχρονα και από μέσα και απ' έξω. Τα καρφιά μπορεί να διαπεράσουν το μέσο ή/και να εκτιναχθούν, γεγονός που προκαλεί σοβαρό κίνδυνο.
 - Να προσέχετε ώστε να στέκεστε καλά και να διατηρείτε την ισορροπία σας όταν χρησιμοποιείτε το εργαλείο. Να βεβαιώνετε ότι δεν υπάρχει κανείς από κάτω όταν εργάζεστε σε υψηλές τοποθεσίες και να ασφαλίσετε τον εαυτό σας σωλήνα αέρα για να αποφεύγετε τον κίνδυνο σε περίπτωση που συμβεί απότομο τσίγγαμι ή πιάσιμο.
 - Σε σκεπές και άλλες υψηλές τοποθεσίες, να καρφώνετε καθώς κινείστε προς τα μπροστά. Είναι εύκολο να χάσετε την ισορροπία σας αν καρφώνετε καθώς κινείστε προς τα πίσω. Όταν καρφώνετε σε κατακόρυφη επιφάνεια, να καρφώνετε από την κορυφή προς τα κάτω. Με τον

- τρόπο αυτό, μπορείτε να εκτελείτε εργασίες καρφώματος με λιγότερη κόπωση.
- Αν από λάθος καρφώσετε ένα καρφί επάνω σε ένα άλλο ή χτυπήσετε ρόζο στο ξύλο, το καρφί θα στραβώσει ή το εργαλείο θα πάθει εμπλοκή. Το καρφί μπορεί να εκτιναχθεί και να χτυπήσει κάποιον ή το ίδιο το εργαλείο μπορεί να αντιδράσει επικίνδυνα. Τοποθετήστε τα καρφιά με προσοχή.
 - Μην αφήνετε το φορτωμένο εργαλείο ή τον συμπιεστή αέρα υπό πίεση για μεγάλο χρονικό διάστημα έξω στον ήλιο. Να βεβαιώνετε ότι δεν εισέρχονται στο εργαλείο σκόνη, άμμος, τεμαχίδια ή ξένη ύλη στη θέση όπου το αφήνετε.
 - Μη στρέψετε τη θύρα εκτίναξης προς οποιοδήποτε άτομο βρίσκεται κοντά. Να κρατάτε τα χέρια και τα πόδια σας μακριά από την περιοχή της θύρας εκτίναξης.
 - Όταν είναι συνδεδεμένος ο σωλήνας αέρα, μη μεταφέρετε το εργαλείο και μην το δίνετε σε κάποιον άλλον ενώ το δάκτυλό σας βρίσκεται στη σκανδάλη. Η τυχαία εκपुरσοκρότηση μπορεί να είναι εξαιρετικά επικίνδυνα.
 - Να χειρίζεστε το εργαλείο προσεκτικά, επειδή υπάρχει υψηλή πίεση στο εσωτερικό του, που μπορεί να είναι επικίνδυνη αν προκληθεί ρωγμή από απρόσεχο χειρισμό (πτώση ή χτύπημα). Μην προσπαθήσετε να κάνετε χαρακιάς ή αυλακώσεις στο εργαλείο.
 - Να σταματάτε αμέσως τις λειτουργίες καρφώματος αν παρατηρήσετε ότι κάτι δεν πάει καλά ή κάτι είναι ασυνήθιστο για το εργαλείο.
 - Να αποσυνδέετε πάντοτε τον εύκαμπο σωλήνα αέρα και να αφαιρείτε όλα τα καρφιά:
 - (9) Όταν δεν προσέχει κανείς το εργαλείο.
 - (10) Πριν εκτελέσετε οποιαδήποτε εργασία συντήρησης ή επισκευής.
 - (11) Πριν αποκαταστήσετε κάποια εμπλοκή.
 - (12) Πριν μετακινήσετε το εργαλείο σε νέα τοποθεσία.
 - Να εκτελείτε καθαρισμό και συντήρηση του εργαλείου αμέσως μόλις ολοκληρώσετε την εργασία. Να διατηρείτε το εργαλείο σε άριστη κατάσταση. Να λιπαίνετε τα κινούμενα μέρη για να αποφεύγετε την οξειδωση (σκουρίασμα) και να ελαχιστοποιείτε τη φθορά από την τριβή. Σκουπίστε όλη τη σκόνη από τα μέρη του εργαλείου.
 - Μην τροποποιείτε το εργαλείο χωρίς την έγκριση από τη Makita.
 - Απευθυνθείτε στα εξουσιοδοτημένα κέντρα εξυπηρέτησης της Makita για τους περιοδικούς έλεγχους του εργαλείου.
 - Για να διατηρείται η ΑΣΦΑΛΕΙΑ και η ΑΞΙΟΠΙΣΤΙΑ του προϊόντος, οι εργασίες συντήρησης και επισκευής θα πρέπει να εκτελούνται σε εξουσιοδοτημένα κέντρα εξυπηρέτησης της Makita, και πάντοτε με τη χρήση ανταλλακτικών της Makita.
 - Να χρησιμοποιείτε μόνο λάδι για εργαλεία πεπιεσμένου αέρα που καθορίζεται στο εγχειρίδιο αυτό.
 - Μη συνδέετε ποτέ το εργαλείο σε γραμμή πεπιεσμένου αέρα σε περιπτώσεις που η μέγιστη

- επιτρεπόμενη πίεση του εργαλείου ξεπεραστεί κατά 10%. Βεβαιωθείτε ότι η παρεχόμενη πίεση από το σύστημα πεπιεσμένου αέρα δεν υπερβαίνει τη μέγιστη επιτρεπόμενη πίεση του καρφωτικού εργαλείου. Αρχικά ρυθμίστε την πίεση του αέρα στη χαμηλότερη τιμή της επιτρεπόμενης πίεσης που συνιστάται.
- Μην προσπαθήσετε να κρατήσετε το στοιχείο επαφής της σκανδάλης πιεσμένο με τα νιά ή σύρμα. Μπορεί να προκληθεί θάνατος ή σοβαρός τραυματισμός.
 - Να ελέγχετε πάντα το στοιχείο επαφής σύμφωνα με τις οδηγίες στο παρόν εγχειρίδιο. Μπορεί να πεταχτούν κατά λάθος καρφιά εάν δεν λειτουργεί σωστά ο μηχανισμός ασφάλειας.

ΦΥΛΑΞΤΕ ΑΥΤΕΣ ΤΙΣ ΟΔΗΓΙΕΣ.

ΤΟΠΟΘΕΤΗΣΗ

Επιλογή συμπιεστή (Εικ. 1)

Ο συμπιεστής αέρα θα πρέπει να είναι εναρμονισμένος με τις απαιτήσεις της EN60335-2-34. Επιλέξτε συμπιεστή που διαθέτει επαρκή πίεση και έξοδο αέρα ώστε να εξασφαλίζεται η οικονομική λειτουργία. Η γραφική παράσταση απεικονίζει τη σχέση μεταξύ της συχνότητας καρφώματος, της ασκούμενης πίεσης και της εξόδου αέρα του συμπιεστή.

Συνεπώς, για παράδειγμα, αν το κάρφωμα λαμβάνει χώρα με ρυθμό περίπου 40 φορές το λεπτό με συμπίεση 0,69 MPa (6,9 bar), απαιτείται συμπιεστής με έξοδο αέρα υψηλότερη των 60 L/min. Πρέπει να χρησιμοποιούνται ρυθμιστές πίεσης για να περιορίζουν την πίεση αέρα στην ονομαστική πίεση του εργαλείου σε περίπτωση που η πίεση παροχής αέρα υπερβαίνει την ονομαστική πίεση του εργαλείου. Αν δεν τηρηθεί αυτή η οδηγία, μπορεί να προκληθεί σοβαρός τραυματισμός στον χειριστή του εργαλείου ή σε άτομα που βρίσκονται κοντά στην περιοχή εργασίας.

Επιλογή εύκαμπτου σωλήνα αέρα (Εικ. 2)

Να χρησιμοποιείτε ένα εύκαμπο σωλήνα αέρα όσο το δυνατόν πιο φαρδύ και όσο το δυνατόν πιο κοντό για να εξασφαλίζετε συνεχή, επαρκή λειτουργία καρφώματος. Με μια πίεση αέρα της τάξης των 0,49 MPa (4,9 bar), ένας εύκαμπος σωλήνας αέρα με εσωτερική διάμετρο πάνω από 6,5 mm (1/4") και ένα μήκος λιγότερο από 20 m συνιστάται όταν το διάστημα μεταξύ του κάθε καρφώματος είναι 0,5 δευτερόλεπτα. Οι εύκαμπτοι σωλήνες αέρα θα πρέπει να έχουν ελάχιστη ονομαστική πίεση εργασίας 1,03 MPa (10,3 bar) ή 150 τοις εκατό της μέγιστης πίεσης που παράγει το σύστημα, όποια τιμή είναι υψηλότερη.

ΠΡΟΣΟΧΗ:

- Η χαμηλή έξοδος αέρα του συμπιεστή ή ο εύκαμπος σωλήνας αέρα με μεγαλύτερο μήκος ή μικρότερη διάμετρο σε σχέση με τη συχνότητα καρφώματος μπορεί να προκαλέσει μειώνση της ικανότητας καρφώματος του εργαλείου.

Λίπανση (Εικ. 3)

Για να εξασφαλίσετε τη μέγιστη απόδοση, τοποθετήστε ένα σετ αέρα (λιπαντήρας, ρυθμιστής, φίλτρο αέρα) όσο το δυνατόν πιο κοντά στο εργαλείο. Ρυθμίστε το λιπαντήρα έτσι ώστε να παρέχει μία σταγόνα λαδιού κάθε 30 καρφιά. Όταν δεν χρησιμοποιείται σετ αέρα, να λιπαίνετε το εργαλείο με λάδι για εργαλεία πεπιεσμένου αέρα τοποθετώντας 2 (δύο) ή 3 (τρεις) σταγόνες στο προσάρτημα αέρα. Αυτό πρέπει να πραγματοποιείται πριν και μετά από τη χρήση. Για τη σωστή λίπανση, πρέπει να εκπιρσοκροτείτε το εργαλείο δύο-τρεις φορές μετά από την εισαγωγή του λαδιού για εργαλεία πεπιεσμένου αέρα. (Εικ. 4)

ΠΕΡΙΓΡΑΦΗ ΛΕΙΤΟΥΡΓΙΑΣ

ΠΡΟΣΟΧΗ:

- Να αποσυνδέετε πάντοτε τον εύκαμπο σωλήνα του αέρα πριν ρυθμίζετε ή ελέγχετε τη λειτουργία του εργαλείου.

Ρύθμιση του βάθους καρφώματος (Εικ. 5)

Για να ρυθμίσετε το βάθος καρφώματος, περιστρέψτε το ρυθμιστή. Το βάθος καρφώματος είναι το μέγιστο όταν ο ρυθμιστής έχει περιστραφεί εντελώς προς την κατεύθυνση Α που απεικονίζεται στην εικόνα. Θα γίνεται μικρότερο καθώς περιστρέψετε το ρυθμιστή στην κατεύθυνση Β. Αν δεν είναι δυνατό να καρφωθούν τα καρφιά αρκετά βαθιά ακόμη και όταν ο ρυθμιστής έχει περιστραφεί εντελώς προς την κατεύθυνση Α, αυξήστε την πίεση αέρα. Αν τα καρφιά καρφώνονται πολύ βαθιά ακόμη και όταν ο ρυθμιστής έχει περιστραφεί εντελώς προς την κατεύθυνση Β, μειώστε την πίεση αέρα. Γενικά, η ωφέλιμη ζωή του εργαλείου θα είναι μεγαλύτερη όταν χρησιμοποιείτε το εργαλείο με χαμηλότερη πίεση αέρα και καθαρίζετε το ρυθμιστή σε μικρότερο βάθος καρφώματος.

ΠΡΟΣΟΧΗ:

- Να αποσυνδέετε πάντοτε τον εύκαμπο σωλήνα πριν ρυθμίζετε το βάθος καρφώματος.

Γάντζος (Εικ. 6)

ΠΡΟΣΟΧΗ:

- Να αποσυνδέετε πάντοτε τον εύκαμπο σωλήνα από το εργαλείο.
- Μην κρεμάτε ποτέ το εργαλείο σε υψηλές τοποθεσίες ή σε πιθανώς ασταθείς επιφάνειες. Ο γάντζος χρησιμεύει για το προσωρινό κρέμασμα του εργαλείου.

Ρύθμιση του οδηγού της σανίδας (Εικ. 7 και 8)

Ο οδηγός σανίδας είναι σχεδιασμένος έτσι ώστε να παρέχεται σταθερή έκθεση στη σανίδα. Τοποθετήστε τη σανίδα στην επιθυμητή θέση. Περιστρέψτε το μοχλό δεξιόστροφα για την ελευθέρωση του ελάσματος ρύθμισης. Επανατοποθετήστε το εργαλείο πάνω στην σανίδα με τις προεξοχές του σημείου επαφής να πιέζουν την προηγούμενη σειρά των σανιδιών. Ολισθήστε την ρυθμιστική πλάκα πάνω ενάντια στη βάση της

σανίδας και πιέστε το μοχλό αριστερόστροφα για να ασφαλίσει το έλασμα ρύθμισης.

ΣΥΝΑΡΜΟΛΟΓΗΣΗ

ΠΡΟΣΟΧΗ:

- Να αποσυνδέετε πάντοτε τον εύκαμπο σωλήνα του αέρα πριν εκτελέσετε οποιαδήποτε εργασία στο εργαλείο.

Φόρτωση του καρφωτικού εργαλείου (Εικ. 9)

Επιλέξτε καρφιά που είναι κατάλληλα για την εργασία σας. Πιέστε το μοχλό ασφάλισης και ανοίξτε το καπάκι του γεμιστήρα.

Ανασηκώστε και περιστρέψτε τη πλάκα στήριξης της ταινίας έτσι ώστε το βέλος με την ένδειξη του μεγέθους του καρφιού πάνω στην πλάκα στήριξης της ταινίας να δείχνει το αντίστοιχο διάστημα διαβάθμισης που είναι σηματοδεδειγμένο πάνω στο γεμιστήρα. Αν το εργαλείο λειτουργήσει με την πλάκα στήριξης της ταινίας σε λανθασμένη διαβάθμιση, μπορεί να προκληθεί ανεπαρκής τροφοδοσία των καρφιών και δυσλειτουργία του εργαλείου. (Εικ. 10)

Τοποθετήστε την ταινία των καρφιών πάνω στην πλάκα στήριξης της ταινίας. Ξετυλίξτε αρκετά καρφιά έτσι ώστε να φτάσετε την προεξοχή τροφοδοσίας Τοποθετήστε το πρώτο καρφί στο κανάλι μετάδοσης κίνησης και το δεύτερο στην προεξοχή τροφοδοσίας. Τοποθετήστε τα άλλα ξετυλιγμένα καρφιά στο τροφοδοτικό στοιχείο. Κλείστε το καπάκι του γεμιστήρα αφότου ελέγξετε ότι η ταινία των καρφιών είναι κατάλληλα τοποθετημένη μέσα στο γεμιστήρα. (Εικ. 11)

Σύνδεση του εύκαμπτου σωλήνα αέρα (Εικ. 12)

Σύρατε την υποδοχή αέρα του εύκαμπτου σωλήνα αέρα στο προσάρτημα αέρα στο καρφωτικό εργαλείο. Βεβαιωθείτε ότι η υποδοχή αέρα κλειδώνει σταθερά στη θέση της όταν την τοποθετείτε στο προσάρτημα αέρα. Πρέπει να τοποθετηθεί μια σύζευξη εύκαμπτων σωλήνων επάνω ή κοντά στο εργαλείο με τρόπο ώστε να εκτονώνεται το δοχείο πίεσης τη στιγμή που αποσυνδεθεί η σύζευξη παροχής αέρα.

ΛΕΙΤΟΥΡΓΙΑ

ΠΡΟΣΟΧΗ:

- Να βεβαιώνετε ότι όλα τα συστήματα ασφάλειας βρίσκονται σε καλή κατάσταση πριν από τη λειτουργία.
- 1. Για να καρφώσετε ένα καρφί, μπορείτε να τοποθετήσετε το στοιχείο επαφής επάνω στο τεμάχιο εργασίας και να πιέσετε τη σκανδάλη, ή (Εικ. 13 και 14)
- 2. Να πιέσετε πρώτα τη σκανδάλη και κατόπιν να τοποθετήσετε το στοιχείο επαφής επάνω στο τεμάχιο εργασίας.
- Η πρώτη μέθοδος χρησιμοποιείται για διακεκομμένο κάρφωμα, όταν επιθυμείτε να καρφώσετε ένα καρφί με προσοχή και μεγάλη

ακρίβεια. Η δεύτερη μέθοδος χρησιμοποιείται για συνεχές κάρφωμα.

ΠΡΟΣΟΧΗ:

- Η λειτουργία του εργαλείου χωρίς καρφιά μειώνει το χρόνο ζωής του και θα πρέπει να αποφεύγεται.

Για συνεχή ενεργοποίηση της σκανδάλης (βοηθητικό εξάρτημα)

Για να καρφώσετε ένα καρφί, μπορείτε να τοποθετήσετε το στοιχείο επαφής επάνω στο τεμάχιο εργασίας και να πιέσετε τη σκανδάλη. **(Εικ. 15)**

ΠΡΟΣΟΧΗ:

- ΜΕ ΤΗ ΣΚΑΝΔΑΛΗ ΚΡΑΤΗΜΕΝΗ ΣΕ ΜΙΣΟΠΙΕΣΜΕΝΗ ΘΕΣΗ, μπορεί να προκύψει ξαφνικό κάρφωμα, σε περίπτωση που το στοιχείο επαφής αφαιρεθεί να έρθει ξανά σε επαφή με το τεμάχιο εργασίας ή με κάποια άλλη επιφάνεια υπό την επίδραση της οπισθοδρόμησης. Για να αποφεύγετε αυτό το ξαφνικό κάρφωμα, να πραγματοποιείτε τα εξής:
 - A. Να μην τοποθετείτε το στοιχείο επαφής επάνω στο τεμάχιο εργασίας με υπερβολική δύναμη.
 - B. Να πιέζετε τη σκανδάλη πλήρως και να την κρατάτε για 1 έως 2 δευτερόλεπτα μετά από το κάρφωμα.

Μπλοκαρισμένο καρφωτικό εργαλείο (Εικ. 16)

ΠΡΟΣΟΧΗ:

- Να αποσυνδέετε πάντοτε τον εύκαμπτο σωλήνα αέρα και να αφαιρείτε όλα τα καρφιά από το γεμιστήρα πριν από την αποκατάσταση μιας εμπλοκής.

Όταν το καρφωτικό πιστόλι παθαίνει εμπλοκή, πραγματοποιήστε τα εξής:

Ανοίξτε το καπάκι του γεμιστήρα και αφαιρέστε την ταινία με τα καρφιά. Εισάγετε μια μικρή ράβδο ή κάτι παρόμοιο στη θύρα εκτίναξης και χτυπήστε τη ελαφρά με ένα σφυρί για να βγάλετε έξω το καρφί που κόλλησε στην θύρα εκτίναξης. Επανατοποθετήστε την ταινία των καρφιών και κλείστε το καπάκι του γεμιστήρα.

Καρφιά (Εικ. 17)

Να χειρίζεστε τις ταινίες καρφιών και το κουτί τους προσεκτικά. Αν ο χειρισμός των ταινιών καρφιών γίνει με ακατάλληλο τρόπο, μπορεί να χάσουν το σχήμα τους ή να σπάσει το συνδετικό τους με αποτέλεσμα την ανεπαρκή τροφοδοσία καρφιών. Αποφύγετε να αποθηκεύετε καρφιά σε μέρη με πολύ υγρασία ή υψηλή θερμοκρασία ή σε μέρη που είναι εκτεθειμένα στο άμεσο ηλιακό φως. **(Εικ. 18)**

ΣΥΝΤΗΡΗΣΗ

ΠΡΟΣΟΧΗ:

- Να αποσυνδέετε πάντοτε τον εύκαμπτο σωλήνα του αέρα πριν επιχειρήσετε να εκτελέσετε έλεγχο ή συντήρηση.

Καθαρισμός και αφαίρεση της πίσσας και της βρωμιάς

Η προσκόλληση της πίσσας και της βρωμιάς στην περιοχή γύρω από το στοιχείο επαφής θα αποτρέψει την ομαλή κίνηση του στοιχείου επαφής (μηχανισμός ασφαλείας), προκαλώντας την τυχαία εκκυρσοκρότηση. Κατά περιόδους καθαρίστε τις περιοχές γύρω από το στοιχείο επαφής. Χρησιμοποιήστε ένα διαλύτη όπως η κηροζίνη, #2 μαζούτ ή πετρέλαιο.

Εμβάψτε στο διαλύτη μόνο το στοιχείο επαφής και τις περιοχές γύρω από τη θύρα εκτίναξης και αφαιρέστε την πίσσα και τη βρωμιά με μια βούρτσα. Πάντοτε να φοράτε αδιάβροχα γάντια για να προστατεύετε τα χέρια σας. Ποτέ να μην εμβαπτίζετε το περίβλημα, τον γεμιστήρα κ.τ.λ. στο διαλύτη. Διότι μπορεί να προκληθεί δυσλειτουργία του μηχανήματος. Πάντοτε να απορρίπτετε τον χρησιμοποιούμενο διαλύτη σε ασφαλή και συνετό τρόπο σύμφωνα με τις απαιτήσεις του εθνικού και τοπικού κώδικα. **(Εικ. 19)**

Στεγνώστε το εργαλείο πριν από τη χρήση. Το οποιοδήποτε στρώμα λίπους μείνει μετά από το καθάρισμα θα επιταχύνει την συσσώρευση πίσσας, και το εργαλείο θα απαιτεί πιο συχνό καθαρισμό. Μετά το στέγνωμα του εργαλείου, λιπάρτε τα κινούμενα μέρη για την αποφυγή της σκουριάς και την διασφάλιση της καλής λίπανσης και λειτουργίας των κινούμενων μερών.

ΠΡΟΕΙΔΟΠΟΙΗΣΗ:

- Ποτέ να μην χρησιμοποιήσετε βενζίνη ή παρόμοια πολύ πτητικά υγρά για τον καθαρισμό. Οι ατμοί από τέτοια υγρά μπορεί να εισωρηθούν στο εργαλείο και να αναφλεγούν από τους σπινθήρες που παράγονται κατά το κάρφωμα προκαλώντας έκρηξη.

Συντήρηση του καρφωτικού εργαλείου

Πριν από τη λειτουργία, να ελέγχετε πάντοτε τη γενική κατάσταση του εργαλείου, αλλά και αν οι βίδες είναι χαλαρές. Σφίξτε όπως απαιτείται. **(Εικ. 20)** Με το εργαλείο αποσυνδεδεμένο, πραγματοποιήστε καθημερινό έλεγχο για να επιβεβαιώσετε ότι το στοιχείο επαφής και η σκανδάλη κινούνται ελεύθερα. Μη χρησιμοποιείτε το εργαλείο αν κολλάει ή εμπλέκεται το στοιχείο επαφής ή η σκανδάλη. **(Εικ. 21)**

Όταν το εργαλείο δεν πρόκειται να χρησιμοποιηθεί για μεγάλο χρονικό διάστημα, λιπάρνετε το εργαλείο χρησιμοποιώντας λάδι για εργαλεία πεπισσμένου αέρα και αποθηκεύστε το εργαλείο σε ασφαλές μέρος. Να αποφεύγετε την έκθεση στο άμεσο ηλιακό φως ή/και σε περιβάλλον με υγρασία ή ζέστη. **(Εικ. 22 και 23)**

Συντήρηση του συμπιεστή, του σετ αέρα και του εύκαμπτου σωλήνα αέρα (Εικ. 24 και 25)

Μετά από τη λειτουργία, να αποστραγγίζετε πάντοτε τη δεξαμενή του συμπιεστή και το φίλτρο αέρα. Αν εισέλθει υγρασία στο εργαλείο, μπορεί να έχει ως αποτέλεσμα ανεπαρκή απόδοση και πιθανή βλάβη του εργαλείου.

Να ελέγχετε τακτικά να δείτε αν υπάρχει αρκετό λάδι για εργασία πεπιεσμένου αέρα στο λιπαντήρα του σετ αέρα. Αν δεν διατηρείται η επαρκής λίπανση, θα προκληθεί γρήγορη φθορά των στρογγυλών δαχτυλίων. **(Εικ. 26)**

Να διατηρείτε τον εύκαμπτο σωλήνα αέρα μακριά από τη θερμότητα (θερμοκρασία υψηλότερη από 60°C, ή 140°F) και μακριά από χημικές ουσίες (διαλύτες, ισχυρά οξέα ή ισχυρές βάσεις). Επίσης, να δρομολογείτε τον εύκαμπτο σωλήνα μακριά από εμπόδια στα οποία θα μπορούσε να εμπλακεί επικίνδυνα κατά τη λειτουργία.

Οι εύκαμπτοι σωλήνες πρέπει να δρομολογούνται μακριά από αιχμηρά άκρα και περιοχές που μπορεί να οδηγήσουν σε βλάβη ή τρίψιμο του εύκαμπτου σωλήνα. **(Εικ. 27)**

Για να διατηρείται η ΑΣΦΑΛΕΙΑ και η ΑΞΙΟΠΙΣΤΙΑ του προϊόντος, οι εργασίες επισκευής, καθώς και οποιαδήποτε άλλη εργασία συντήρησης ή ρύθμισης, θα πρέπει να εκτελούνται σε εξουσιοδοτημένα κέντρα εξυπηρέτησης της Makita, και πάντοτε με τη χρήση ανταλλακτικών της Makita.

ΑΞΕΣΟΥΑΡ

ΠΡΟΣΟΧΗ:

- Συνιστάται η χρήση των παρακάτω αξεσουάρ και εξαρτημάτων με το εργαλείο της Makita μόνο όπως καθορίζεται στο παρόν εγχειρίδιο. Αν χρησιμοποιήσετε άλλα αξεσουάρ ή εξαρτήματα μπορεί να παρουσιαστεί κίνδυνος για πρόκληση ατομικού τραυματισμού. Να χρησιμοποιείτε τα αξεσουάρ και τα εξαρτήματα μόνο για το σκοπό για τον οποίο προορίζονται.

Αν χρειάζεστε κάποια βοήθεια ή περισσότερες πληροφορίες σχετικά με τα αξεσουάρ αυτά, απευθυνθείτε στο πλησιέστερο κέντρο εξυπηρέτησης της Makita.

- Καρφιά
- Εύκαμπτοι σωλήνες αέρα
- Γυαλιά προστασίας

ΕΚ – ΔΗΛΩΣΗ ΣΥΜΜΟΡΦΩΣΗΣ

ENH013-5

Δηλώνουμε με αποκλειστική ευθύνη μας ότι το προϊόν αυτό συμμορφώνεται με τα ακόλουθα πρότυπα των τυποποιημένων εντύπων:
EN792 σε συμφωνία με τις Οδηγίες της Επιτροπής, 98/37/ΕΚ.

CE 2007



Tomoyasu Kato
Διευθυντής

Υπεύθυνος Κατασκευαστής:

Makita Corporation

3-11-8, Sumiyoshi-cho, Anjo, Aichi, JAPAN

Εξουσιοδοτημένος Αντιπρόσωπος στην Ευρώπη:

Makita International Europe Ltd.

Michigan Drive, Tongwell, Milton Keynes, Bucks MK15 8JD, ENGLAND

Makita Corporation
Anjo, Aichi, Japan

AN453-12 L-0708