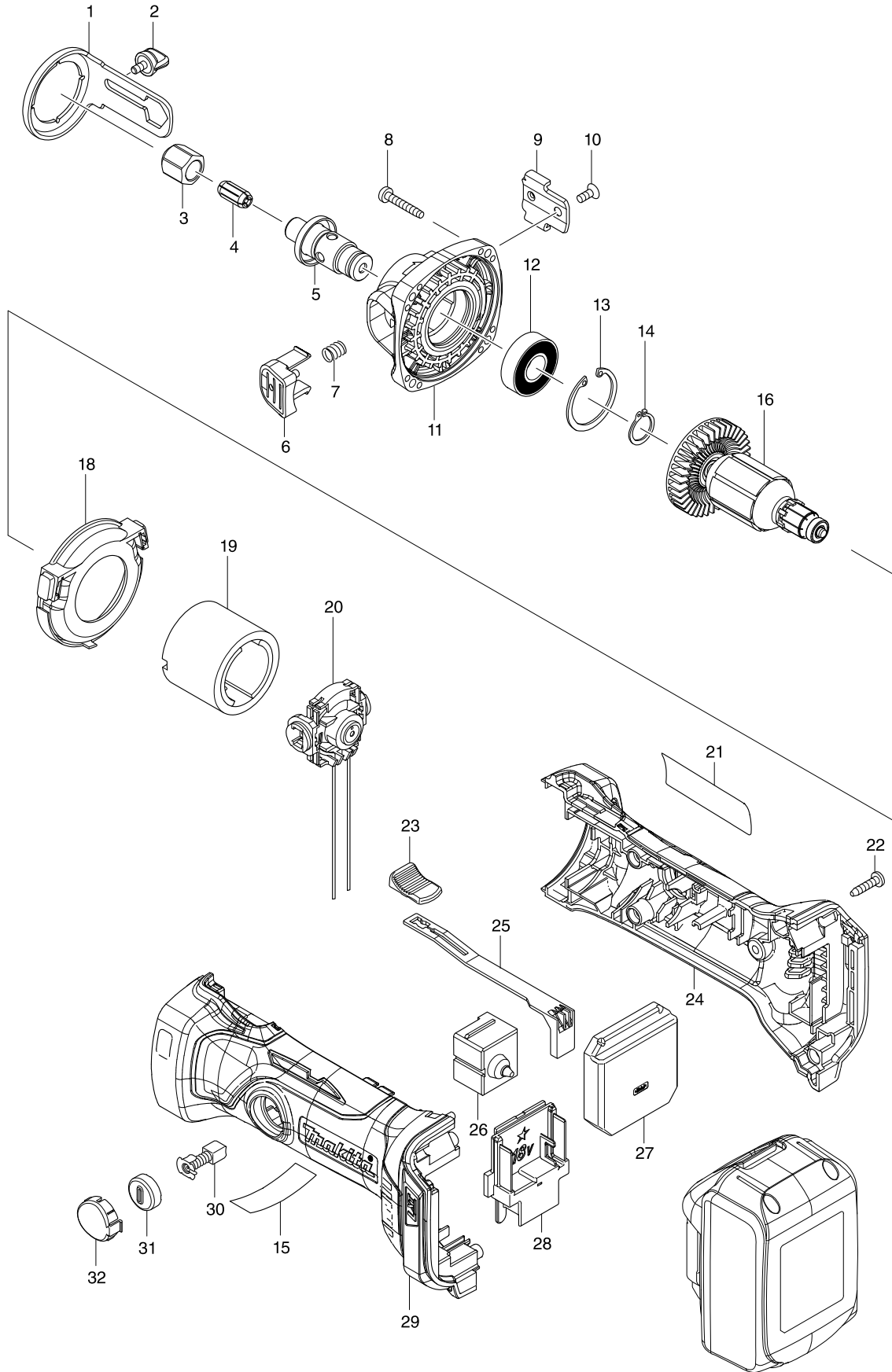


Model No. DCO180 CORDLESS CUT-OUT TOOL



Model No. DCO180 CORDLESS CUT-OUT TOOL

Item	Parts No.	Description	I/C	Qty	N/O	Opt. 1	Opt. 2	Note
001	346796-2	SHOE PLATE		1				
002	266898-7	THUMB SCREW M4X8		1				
003	763675-3	COLLET NUT		1				
004	763677-9	COLLET CONE 3.18		1				
005	142656-4	SPINDLE COMPLETE		1				
006	455181-9	SHAFT LOCK		1				
007	234332-5	COMPRESSION SPRING 7		1				
008	266374-1	TAPPING SCREW 4X25		4				
009	346795-4	SHOE SUPPORT		1				
010	912107-9	COUNTERSUNK HEAD SCREW M4X8		1				
011	142655-6	BEARING BOX COMPLETE		1				
012	211236-8	BALL BEARING 6002DDW		1				
013	962151-6	RETAINING RING R-32		1				
014	961055-9	RETAINING RING S-15		1				
016	619344-3	ARMATURE		1				
018	455182-7	BAFFLE PLATE		1				
019	638627-2	YOKE UNIT		1				
020	632C14-5	ENDBELL COMPLETE		1				
021	815U77-6	DCO180 NAME PLATE		1				
022	266326-2	TAPPING SCREW 4X18		5				
023	419566-3	SWITCH KNOB		1				
024	187871-3	HOUSING SET		1				
		D10 INC. 29						
025	419519-2	SWITCH LEVER		1				
026	650579-7	SWITCH 1246.3223		1				
027	620308-2	CONTROLLER		1				
		C10 INSULATED TERM. FT1.25-M3		1				
		C20 INSULATED TERMINAL FK2-M3D-5.5		1				
		C30 RECEPTACLE		2				
		C40 RECEPTACLE		1				
		C50 RECEPTACLE		2				
028	643860-3	TERMINAL		1				
029	187871-3	HOUSING SET		1				
		D10 INC. 24						
030	191971-3	CARBON BRUSH CB-430		1				
031	643929-3	BRUSH HOLDER CAP		2				
032	455183-5	HOLDER CAP COVER		2				
A01	193446-8	DRYWALL GUIDE BIT 3.18 SET		2				
E01	688165-4	LINE FILTER		1				