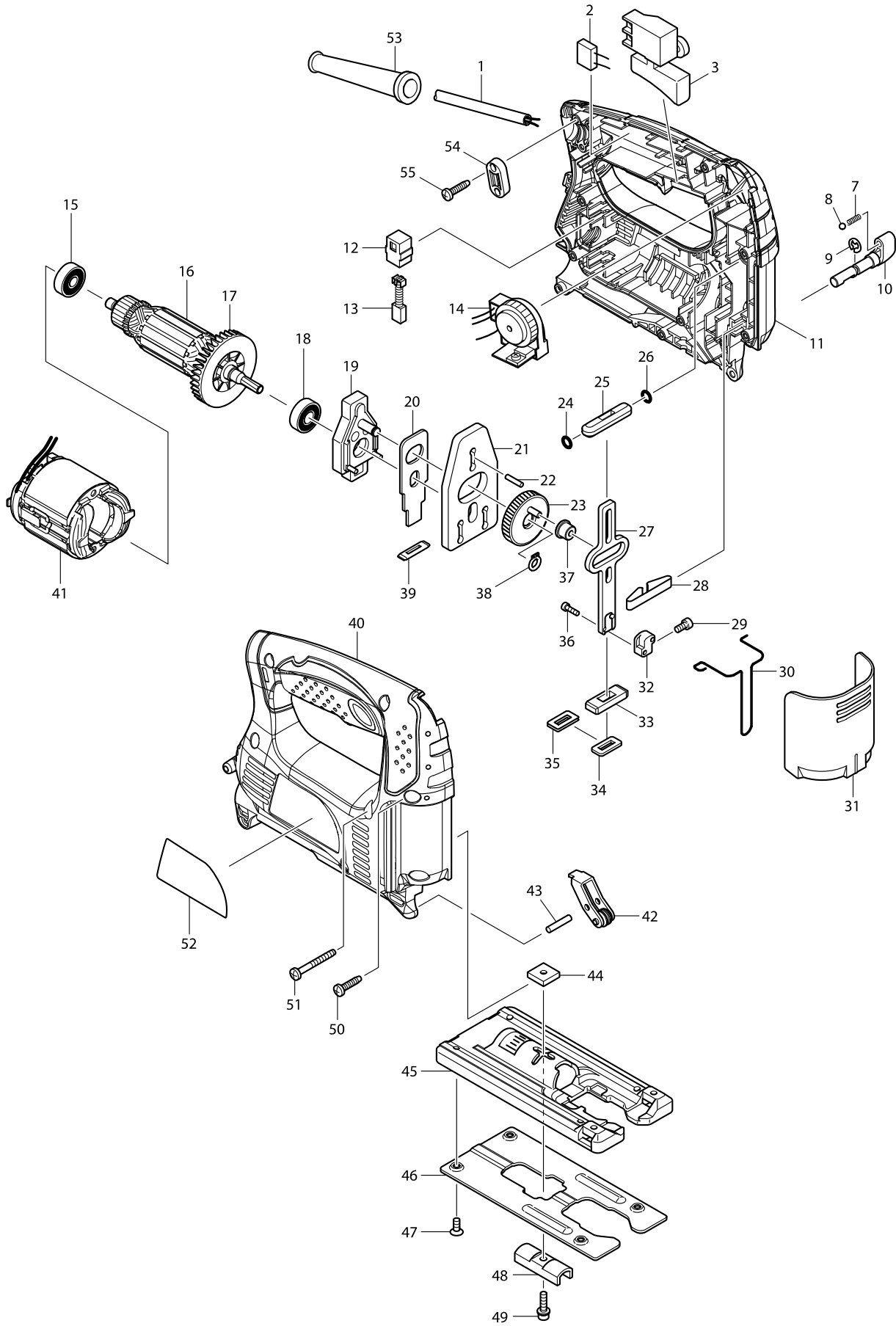


Model No. 4329 JIG SAW



Model No. 4329 JIG SAW

Item	Parts No.	Description	I/C	Qty	N/O	Opt. 1	Opt. 2	Note
001	665383-1	POWER SUPPLY CORD 1.0-2-2.0		1				
002	645239-4	NOISE SUPPRESSOR		1				
003	651286-5	SWITCH SGEL206C-5		1				
007	233151-6	COMPRESSION SPRING 4		1				
008	216008-6	STEEL BALL 4		1				
009	961011-9	STOP RING E-4		1				
010	272239-7	LEVER 18		1				
011	188338-4	HOUSING SET		1				
C10	263002-9	RUBBER PIN 4		2				
D10		INC. 40						
012A	643562-1	BRUSH HOLDER 5X8		2	*			
012-1A	643552-4	BRUSH HOLDER 5-8	O	2				
012-1B	643552-4	BRUSH HOLDER 5-8		2				
013	191627-8	CARBON BRUSH CB-64		1				
014	631777-2	CONTROLLER		1	*			
014-1	620411-9	CONTROLLER	O	1				
015	210025-8	BALL BEARING 627LLB		1				
016	515718-5	ARMATURE ASS'Y 220V		1				
D10		INC. 15,17,18						
017	241881-5	FAN 52		1				
018	210005-4	BALL BEARING 608DDW		1				
019	152600-3	BEARING CASE COMPLETE		1				
020	344683-9	PUSH PLATE		1				
021	344614-8	BALANCE PLATE		1				
022	256254-9	PIN 3		1				
023	153260-4	GEAR COMPLETE		1				
024	213038-8	O RING 5		1				
025	313082-6	SLIDER GUIDE		1				
026	213038-8	O RING 5		1				
027	344613-0	SLIDER		1				
028	232183-0	LEAF SPRING		1				
029	922107-1	HEX. SOCKET HEAD BOLT M4X8		1				
030	323748-0	SAFETY WIRE		1				
031	416476-5	DUST COVER		1				
032	313140-8	BLADE CLAMP		1				
033	313086-8	SLIDER SUPPORT		1				
034	423307-1	POLY URETANE SPONGE SEAL		1				
035	344686-3	SEAL PLATE		1				
036	266177-3	HEX. SOCKET HEAD BOLT M3X10		2				
037	257683-9	COLLAR SLEEVE		1				
038	961002-0	RETAINING RING S-6		1				
039	416703-0	DUST SEAL		1				
040	188338-4	HOUSING SET		1				
C10	263002-9	RUBBER PIN 4		2				
D10		INC. 11						
041	633658-6	FIELD 220-240V		1				
042	158392-2	RETAINER COMPLETE		1				
043	256117-9	PIN 4		1				

