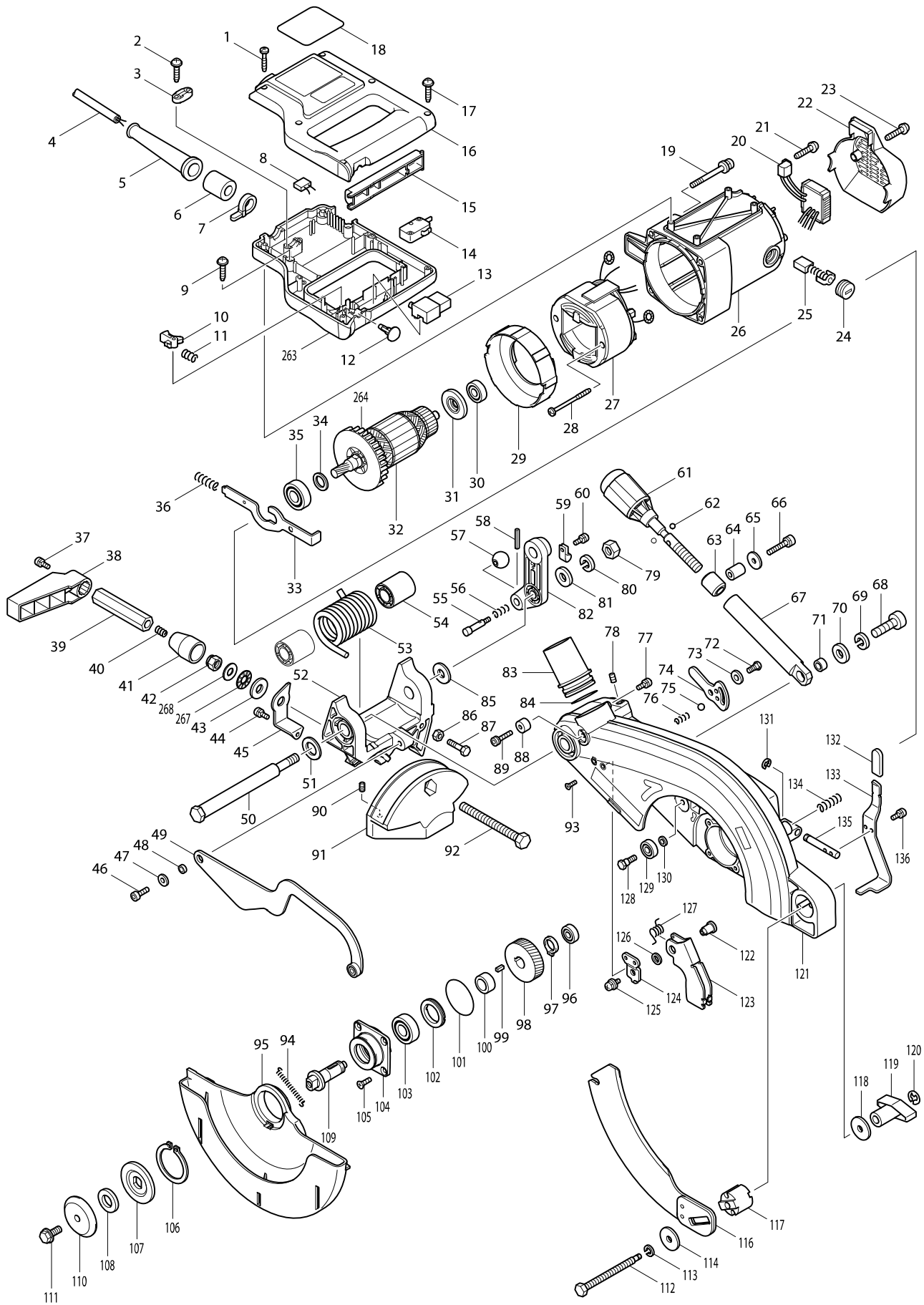
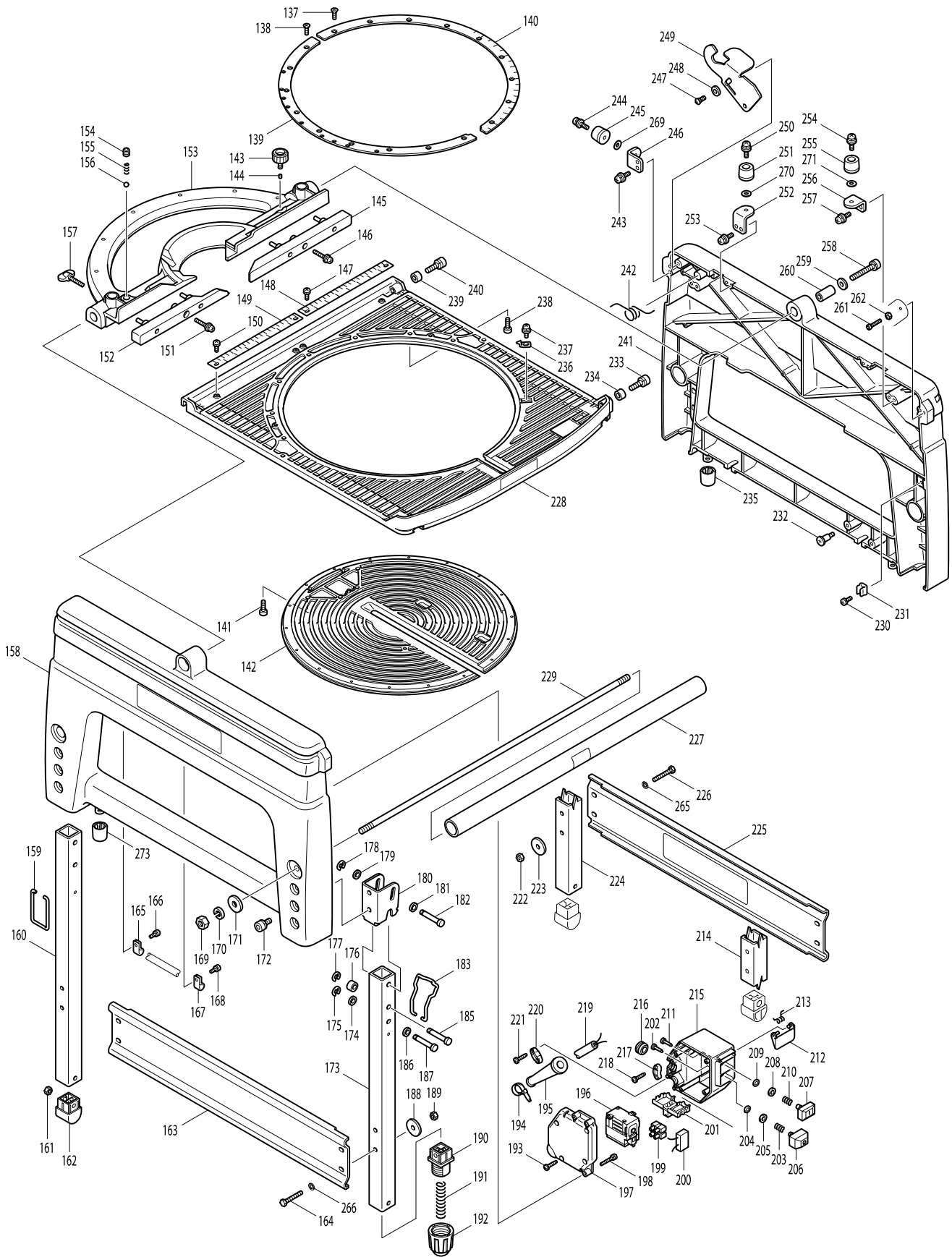


Mallinnumero LF1000 FLIP OVER SAW 260MM



Mallinumbero LF1000 FLIP OVER SAW 260MM



Mallinumero LF1000 FLIP OVER SAW 260MM

Sivu 1 / 10

Nimike	Osanumero	Kuvaus	I/C nu	MÄÄRÄ	N/O	Opt. 1	Opt. 2	HUOMAUTUS
001	265999-8	TAPPING SCREW 4X25		2				
002	265995-6	TAPPING SCREW 4X18		2				
003	687054-0	STRAIN RELIEF		1	*			
003-1	687149-9	STRAIN RELIEF	O	1				
004	662971-5	POWER SUPPLY CORD 1.0-6-1.56		1				
005	682506-6	CORD GUARD 12-90		1				
006	688140-0	LINE FILTER		1				
007	687010-0	BAND		1				
008	645006-7	NOISE SUPPRESSOR		1				
009	265995-6	TAPPING SCREW 4X18		2				
010	416356-5	LOCK-OFF LEVER		1				
011	231026-3	COMPRESSION SPRING 4		1	*			
011-1	233483-1	COMPRESSION SPRING 4	O	1				
012	416404-0	SWITCH BUTTON		1				
013	651923-1	SWITCH TG70B		1				
014	651941-9	SWITCH V-15-2A5		1				
015	416357-3	SWITCH LEVER		1				
016	154574-4	HANDLE COVER COMPLETE		1	*			
C10	810087-2	CAUTION LABEL		1	*			
016-1	188063-7	HANDLE SET	S	1				
C10	810087-2	CAUTION LABEL		1				
D10		INC. 263						
017	265995-6	TAPPING SCREW 4X18		4				
018	861365-3	LF1000 NAME PLATE		1				
019	911383-2	PAN HEAD SCREW M6X60		4				
020	631661-1	CONTROLLER		1	*			
020-1	631947-3	CONTROLLER	<	1				
021	265995-6	TAPPING SCREW 4X18		1				
022	416362-0	REAR COVER		1				
023	265995-6	TAPPING SCREW 4X18		2				
024	643650-4	BRUSH HOLDER CAP 6.5-13.5		2	*			
024-1	643650-4	BRUSH HOLDER CAP 6.5-13.5	O	2				
025	181044-0	CARBON BRUSH CB-153		1				
026	154569-7	MOTOR HOUSING COMPLETE		1				
C10	643660-1	BRUSH HOLDER 6.5-13.5		2	*			
C11	643653-8	BRUSH HOLDER 6.5-13.5	O	2	*			
C12	643660-1	BRUSH HOLDER 6.5-13.5	O	2	*			
C13	643653-8	BRUSH HOLDER 6.5-13.5	O	2				
C20	810086-4	CAUTION LABEL		1				
027	596273-6	FIELD ASS'Y 220-240V		1				
C10	654020-2	RING TERMINAL		2				
C20	654502-4	CONNECTOR P-2		2				
028	266044-2	TAPPING SCREW 5X60		2				
029	416361-2	BAFFLE PLATE		1				
030	211061-7	BALL BEARING 6000LLB		1				
031	681642-5	INSULATION WASHER		1				
032	516748-9	ARMATURE ASS'Y 220-240V		1				
D10		INC. 30,31,34,35,264						

Mallinumero LF1000 FLIP OVER SAW 260MM

Sivu 2 / 10

Nimike	Osanumero	Kuvaus	I/C nu	MÄÄRÄ	N/O	Opt. 1	Opt. 2	HUOMAUTUS
033	345574-7	SHAFT LOCK		1				
034	253147-1	FLAT WASHER 15		1	*			
034-1	267320-7	FLAT WASHER 15	O	1				
035	211206-7	BALL BEARING 6202LLB		1				
036	231297-2	COMPRESSION SPRING 9		1	*			
036-1	233467-9	COMPRESSION SPRING 9	O	1				
037	911113-1	PAN HEAD SCREW M4X10 WITH WR		1				
038	416006-2	LEVER 100		1				
039	252192-3	HEX.NUT M10-17		1				
040	231266-3	COMPRESSION SPRING 5		1	*			
040-1	233465-3	COMPRESSION SPRING 5	O	1	*			
040-2	231266-3	COMPRESSION SPRING 5	O	1				
041	331691-9	SPACER		1				
042	252130-5	HEX. LOCK NUT M10-17		1	*			
042-1	264005-6	HEX. LOCK NUT M10-17	O	1				
043	253197-6	FLAT WASHER 10		1				
044	911113-1	PAN HEAD SCREW M4X10 WITH WR		1				
045	816825-0	INDICATION PLATE		1				
046	922332-4	HEX. SOCKET HEAD BOLT M6X20		1	*			
046-1	265551-2	HEX. SOCKET HEAD BOLT M6X20	O	1				
047	253804-1	FLAT WASHER 6		1	*			
047-1	267325-7	FLAT WASHER 6	O	1				
048	257270-4	RING 6		1				
049	154573-6	LINK PLATE COMPLETE		1	*			
049-1	141540-0	LINK PLATE COMPLETE	<	1				
050	265532-6	HEX.BOLT M10		1				
051	253707-9	FLAT WASHER 16		1	*			
051-1	267323-1	FLAT WASHER 16	O	1				
052	154570-2	ARM COMPLETE		1	*			
C10	816833-1	BEVEL SCALE LABEL		1	*			
052-1	141133-3	ARM COMPLETE	<	1				
C10	816833-1	BEVEL SCALE LABEL		1				
053	231681-1	TORSION SPRING 34		1				
054	416358-1	SLEEVE 17		2				
055	256488-4	PIN 7		1				
056	233429-7	COMPRESSION SPRING 7		1				
057	271601-3	KNOB 20		1				
058	951063-8	SPRING PIN 3-16		1				
059	687049-3	STRAIN RELIEF		1				
060	911113-1	PAN HEAD SCREW M4X10 WITH WR		1				
061	271319-6	KNOB 40		1				
062	216013-3	STEEL BALL 6		2	*			
062-1	216030-3	STEEL BALL 6	O	2				
063	257750-0	SLEEVE 13		1				
064	257748-7	SLEEVE 6		1				
065	267173-4	FLAT WASHER 6		1	*			
065-1	267313-4	FLAT WASHER 6	O	1				
066	922351-0	HEX. SOCKET HEAD BOLT M6X30		1	*			

Mallinumero LF1000 FLIP OVER SAW 260MM

Sivu 3 / 10

Nimike	Osanumero	Kuvaus	I/C nu	MÄÄRÄ	N/O	Opt. 1	Opt. 2	HUOMAUTUS
066-1	265552-0	HEX. SOCKET HEAD BOLT M6X30	O	1				
067	331689-6	ADJUST NUT		1				
068	922557-0	HEX. SOCKET HEAD BOLT M10X35		1				
069	942251-8	SPRING WASHER 10		1				
070	941252-3	FLAT WASHER 10		1				
071	257747-9	SLEEVE 10		1				
072	265984-1	HEX.SOCKET BUTTON HEAD BOLT M6		1				
073	253823-7	FLAT WASHER 7		1	*			
073-1	267326-5	FLAT WASHER 7	O	1				
074	345553-5	STOPPER PLATE		1				
075	216004-4	STEEL BALL 7.9		1				
076	231038-6	COMPRESSION SPRING 6		1	*			
076-1	233466-1	COMPRESSION SPRING 6	O	1				
077	911113-1	PAN HEAD SCREW M4X10 WITH WR		1				
078	266085-8	H.S.SET SCREW(FLAT POINT)M6X10		1				
079	931502-4	HEX. NUT M10		1				
080	942251-8	SPRING WASHER 10		1				
081	941252-3	FLAT WASHER 10		1				
082	317889-2	CONNECTING ROD		1				
083	416133-5	DUST NOZZLE		1	*			
083-1	419277-0	DUST NOZZLE	O	1				
084	213460-9	O RING 35		1				
085	253197-6	FLAT WASHER 10		1				
086	931302-2	HEX. NUT M6		1				
087	921342-8	HEX. BOLT M6X25		1				
088	257746-1	SLEEVE 5		1				
089	922231-0	HEX. SOCKET HEAD BOLT M5X20		1	*			
089-1	265550-4	HEX. SOCKET HEAD BOLT M5X20	O	1				
090	266085-8	H.S.SET SCREW(FLAT POINT)M6X10		2				
091	317887-6	SUB ARM		1				
092	266377-5	BOLT M10		1				
093	912112-6	COUNTERSUNK HEAD SCREW M4X10		2				
094	231836-8	TENSION SPRING 4		1				
095	418922-4	SAFETY COVER		1	*			
095-1	453711-0	SAFETY COVER	<	1				
096	211031-6	BALL BEARING 608LLB		1	*			
096-1	210043-6	BALL BEARING 608LLB	O	1				
097	961055-9	RETAINING RING S-15		1				
098	226600-0	HELICAL GEAR 46		1				
099	254202-2	KEY 4		1				
100	257266-5	RING 15		1				
101	213623-7	O RING 46		1				
102	285808-5	BEARING RETAINER 25-36		1	*			
102-1	285846-7	BEARING RETAINER 25-36	O	1				
103	211206-7	BALL BEARING 6202LLB		1				
104	317888-4	BEARING BOX		1				
105	912222-9	COUNTERSUNK HEAD SCREW M5X16		4				
106	961201-4	RETAINING RING S-42		1				

Mallinumero LF1000 FLIP OVER SAW 260MM

Sivu 4 / 10

Nimike	Osanumero	Kuvaus	I/C nu	MÄÄRÄ	N/O	Opt. 1	Opt. 2	HUOMAUTUS
107	224333-1	FLANGE 53		1				
108	257262-3	RING 16		1	*			
108-1	257295-8	RING 16	O	1				
109	324543-1	SPINDLE		1				
110	224400-2	OUTER FLANGE 53		1				
111	265355-2	HEX. FLANGE HEAD BOLT M8X20		1	*			
111-1	266762-2	HEX. SOCKET HEAD BOLT M8X22	<	1				
112	265534-2	HEX.BOLT M8X86		1	*			
112-1	266763-0	HEX. SOCKET HEAD BOLT M8X97	<	1				
113	942201-3	SPRING WASHER 8		1				
114	267009-7	FLAT WASHER 8		1	*			
114-1	267312-6	FLAT WASHER 8	O	1				
116	163461-6	RIVING KNIFE		1				
117	331690-1	KNIFE SUPPORT		1				
118	267009-7	FLAT WASHER 8		1	*			
118-1	267312-6	FLAT WASHER 8	O	1				
119	252641-0	WING NUT M8		1				
120	961011-9	STOP RING E-4		1				
121	154571-0	BLADE CASE COMPLETE		1				
C10	268076-5	PIN 6		2				
C20	817667-5	CAUTION LABEL		1				
C30	819174-4	MAKITA LOGO LABEL		1				
C40	951163-4	SPRING PIN 5-20		1				
122	324497-2	GUARD SHAFT		1	*			
122-1	324664-9	GUARD SHAFT	O	1				
123	345554-3	GUARD		1				
124	345558-5	GUARD HOLDER		1				
125	911213-7	PAN HEAD SCREW M5X12		1				
126	267070-4	FLAT WASHER 10		1	*			
126-1	267327-3	FLAT WASHER 10	O	1				
127	231675-6	TORSION SPRING 11		1				
128	265533-4	HEX.BOLT M6		1				
129	211031-6	BALL BEARING 608LLB		1	*			
129-1	210043-6	BALL BEARING 608LLB	O	1				
130	267173-4	FLAT WASHER 6		1	*			
130-1	267313-4	FLAT WASHER 6	O	1				
131	961012-7	STOP RING E-6		1				
132	421589-9	CAP		1				
133	345552-7	LOCK LEVER		1				
134	231297-2	COMPRESSION SPRING 9		1	*			
134-1	233467-9	COMPRESSION SPRING 9	O	1				
135	256855-3	ROD 8		1				
136	911113-1	PAN HEAD SCREW M4X10 WITH WR		2				
137	912112-6	COUNTERSUNK HEAD SCREW M4X10		9				
138	912112-6	COUNTERSUNK HEAD SCREW M4X10		9				
139	345541-2	SLIDE PLATE L		1				
140	345542-0	SLIDE PLATE R		1				
141	922332-4	HEX. SOCKET HEAD BOLT M6X20		4	*			

Mallinumero LF1000 FLIP OVER SAW 260MM

Sivu 5 / 10

Nimike	Osanumero	Kuvaus	I/C nu	MÄÄRÄ	N/O	Opt. 1	Opt. 2	HUOMAUTUS
141-1	265551-2	HEX. SOCKET HEAD BOLT M6X20	O	4				
142	154575-2	TURN TABLE COMPLETE		1	*			
C10	256253-1	PIN 5		1	*			
142-1	141631-7	TURN TABLE COMPLETE	<	1				
C10	256253-1	PIN 5		1				
143	251815-0	SCREW M6X25		1				
144	268068-4	PIN 5		1				
145	154578-6	SUB FENCE R COMPLETE		1	*			
C10	268076-5	PIN 6		2	*			
146	911258-5	PAN HEAD SCREW M5X35		1	*			
147	911113-1	PAN HEAD SCREW M4X10 WITH WR		2				
148	816827-6	SCALE PLATE R		1				
149	816826-8	SCALE PLATE L		1				
150	911113-1	PAN HEAD SCREW M4X10 WITH WR		2				
151	911258-5	PAN HEAD SCREW M5X35		1	*			
152	154577-8	SUB FENCE L COMPLETE		1	*			
C10	268076-5	PIN 6		2	*			
153	154576-0	GUIDE FENCE COMPLETE		1	*			
C10	256253-1	PIN 5		2	*			
153-1	141586-6	GUIDE FENCE COMPLETE	<	1	*			
C10	256253-1	PIN 5		2	*			
153-2	142820-7	GUIDE FENCE COMPLETE	<	1				
C10	256253-1	PIN 5		2				
154	251966-9	H.S.SET SCREW(FLATPOINT)M10X12		1	*			
154-1	266392-9	H.S.SET SCREW(FLATPOINT)M10X12	O	1				
155	231038-6	COMPRESSION SPRING 6		1	*			
155-1	233466-1	COMPRESSION SPRING 6	O	1				
156	216004-4	STEEL BALL 7.9		1				
157	265710-8	THUMB SCREW M6X33		1				
158	188010-8	FRAME SET		1	*			
D10		INC. 273			*			
158-1	188862-7	FRAME SET	<	1				
D10		INC. 273						
159	345547-0	HOOK		1				
160	331687-0	SQUARE PIPE 32-510		1				
161	931302-2	HEX. NUT M6		3				
162	418927-4	FOOT		3				
163	154592-2	SUPPORT BRACKET COMPLETE		1				
C10	816831-5	INDICATION LABEL		1				
164	921367-2	HEX. BOLT M6X45		4				
165	687049-3	STRAIN RELIEF		1				
166	911113-1	PAN HEAD SCREW M4X10 WITH WR		1				
167	687049-3	STRAIN RELIEF		1				
168	911113-1	PAN HEAD SCREW M4X10 WITH WR		1				
169	931502-4	HEX. NUT M10		4				
170	942251-8	SPRING WASHER 10		4				
171	267087-7	FLAT WASHER 10		4	*			
171-1	267328-1	FLAT WASHER 10	O	4				

Mallinumero LF1000 FLIP OVER SAW 260MM

Sivu 6 / 10

Nimike	Osanumero	Kuvaus	I/C nu	MÄÄRÄ	N/O	Opt. 1	Opt. 2	HUOMAUTUS
172	922431-2	HEX. SOCKET HEAD BOLT M8X20		8	*			
172-1	265553-8	HEX. SOCKET HEAD BOLT M8X20	O	8				
173	331686-2	SQUARE PIPE 32-475		1				
174	253165-9	FLAT WASHER 8		2	*			
174-1	267321-5	FLAT WASHER 8	O	2				
175	961012-7	STOP RING E-6		2				
176	257749-5	SLEEVE 8		4				
177	961012-7	STOP RING E-6		4				
178	961012-7	STOP RING E-6		4				
179	253165-9	FLAT WASHER 8		4	*			
179-1	267321-5	FLAT WASHER 8	O	4				
180	345543-8	BRACKET		4				
181	253165-9	FLAT WASHER 8		4	*			
181-1	267321-5	FLAT WASHER 8	O	4				
182	268127-4	PIN 8		4				
183	345548-8	STOPPER HOOK		2				
185	268127-4	PIN 8		4				
186	253165-9	FLAT WASHER 8		2	*			
186-1	267321-5	FLAT WASHER 8	O	2				
187	268141-0	PIN 8		2				
188	267009-7	FLAT WASHER 8		4	*			
188-1	267312-6	FLAT WASHER 8	O	4				
189	931302-2	HEX. NUT M6		4				
190	418925-8	FOOT BOLT		1				
191	233087-9	COMPRESSION SPRING 13		1	*			
191-1	233468-7	COMPRESSION SPRING 13	O	1				
192	418926-6	FOOT NUT		1				
193	265995-6	TAPPING SCREW 4X18		4				
194	687209-7	BAND		1				
195	682540-6	CORD GUARD 9.3-90		1				
196	652772-9	RELAY 305.232.01		1				
197	418924-0	SWITCH BOX COVER		1				
198	911148-2	PAN HEAD SCREW M4X25		3				
199	654561-8	TERMINAL BLOCK		1				
200	645206-9	NOISE SUPPRESSOR		1				
201	686035-1	RECEPTACLE SLEEVE		5				
202	418618-7	PIN		1				
203	231025-5	COMPRESSION SPRING 8		1	*			
203-1	233464-5	COMPRESSION SPRING 8	O	1				
204	443103-1	FELT RING 6		1				
205	253186-1	FLAT WASHER 7		1	*			
205-1	267322-3	FLAT WASHER 7	O	1				
206	418617-9	SWITCH BUTTON OFF		1				
207	418616-1	SWITCH BUTTON ON		1				
208	253186-1	FLAT WASHER 7		1	*			
208-1	267322-3	FLAT WASHER 7	O	1				
209	443103-1	FELT RING 6		1				
210	231025-5	COMPRESSION SPRING 8		1	*			

Mallinumero LF1000 FLIP OVER SAW 260MM

Sivu 7 / 10

Nimike	Osanumero	Kuvaus	I/C nu	MÄÄRÄ	N/O	Opt. 1	Opt. 2	HUOMAUTUS
210-1	233464-5	COMPRESSION SPRING 8	O	1				
211	418618-7	PIN		1				
212	418929-0	SWITCH COVER		1				
213	231682-9	TORSION SPRING 5		1				
214	331686-2	SQUARE PIPE 32-475		1				
215	418923-2	SWITCH BOX		1				
216	682511-3	GROMMET		1				
217	687054-0	STRAIN RELIEF		1	*			
217-1	687149-9	STRAIN RELIEF	O	1				
218	265995-6	TAPPING SCREW 4X18		2				
219	665865-3	POWER SUPPLY CORD 1.0-2-2.5		1				
220	687052-4	STRAIN RELIEF		1	*			
220-1	687124-5	STRAIN RELIEF	O	1				
221	265995-6	TAPPING SCREW 4X18		2				
222	931302-2	HEX. NUT M6		4				
223	267009-7	FLAT WASHER 8		4	*			
223-1	267312-6	FLAT WASHER 8	O	4				
224	331686-2	SQUARE PIPE 32-475		1				
225	345546-2	SUPPORT BRACKET		1				
226	921367-2	HEX. BOLT M6X45		4				
227	154593-0	PIPE 32 COMPLETE		2				
C10	819212-2	MAKITA LOGO LABEL		2				
228	154572-8	TABLE COMPLETE		1				
C10	810086-4	CAUTION LABEL		1				
C20	810965-6	CAUTION LABEL		1				
229	266360-2	SCREW M10		2				
230	911113-1	PAN HEAD SCREW M4X10 WITH WR		1	*			
231	232075-3	LEAF SPRING		1	*			
231-1	410047-0	WRENCH HOLDER 5.6	X	1				
232	266030-3	SCREW M6		2	*			
232-1	266391-1	SHOULDER SCREW M6	O	2				
233	922442-7	HEX. SOCKET HEAD BOLT M8X25		1	*			
233-1	265554-6	HEX. SOCKET HEAD BOLT M8X25	O	1				
234	257749-5	SLEEVE 8		1				
235	418931-3	CAP		2				
236	816128-2	POINTER		1	*			
236-1	816856-9	INDICATION PLATE	O	1				
237	911108-4	PAN HEAD SCREW M4X8		1				
238	922332-4	HEX. SOCKET HEAD BOLT M6X20		9	*			
238-1	265551-2	HEX. SOCKET HEAD BOLT M6X20	O	9				
239	257749-5	SLEEVE 8		1				
240	922442-7	HEX. SOCKET HEAD BOLT M8X25		1	*			
240-1	265554-6	HEX. SOCKET HEAD BOLT M8X25	O	1				
241	188010-8	FRAME SET		1	*			
D10		INC. 235			*			
241-1	188862-7	FRAME SET	<	1				
D10		INC. 235						
242	231680-3	TORSION SPRING 17		1				

Mallinumero LF1000 FLIP OVER SAW 260MM

Sivu 8 / 10

Nimike	Osanumero	Kuvaus	I/C nu	MÄÄRÄ	N/O	Opt. 1	Opt. 2	HUOMAUTUS
243	911333-7	PAN HEAD SCREW M6X20		4				
244	911333-7	PAN HEAD SCREW M6X20		2				
245	421906-3	CUSHION		2				
246	345550-1	STOPPER BRACKET R		2				
247	265984-1	HEX.SOCKET BUTTON HEAD BOLT M6		2				
248	253823-7	FLAT WASHER 7		2	*			
248-1	267326-5	FLAT WASHER 7	O	2				
249	345551-9	LEVER		1				
250	911333-7	PAN HEAD SCREW M6X20		2				
251	421906-3	CUSHION		2				
252	345550-1	STOPPER BRACKET R		2				
253	911333-7	PAN HEAD SCREW M6X20		4				
254	911333-7	PAN HEAD SCREW M6X20		2				
255	421906-3	CUSHION		2				
256	345549-6	STOPPER BRACKET F		2				
257	911333-7	PAN HEAD SCREW M6X20		4				
258	922471-0	HEX. SOCKET HEAD BOLT M8X50		2	*			
258-1	265555-4	HEX. SOCKET HEAD BOLT M8X50	O	2				
259	267236-6	FLAT WASHER 8		2	*			
259-1	267399-8	FLAT WASHER 8	O	2				
260	257751-8	SLEEVE 8		2				
261	922137-2	HEX. SOCKET HEAD BOLT M4X20		1	*			
261-1	265549-9	HEX. SOCKET HEAD BOLT M4X20	O	1				
262	931103-8	HEX. NUT M4		1	*			
262-1	931102-0	HEX. NUT M4	O	1				
263	416364-6	HANDLE		1	*			
263-1	188063-7	HANDLE SET	S	1				
C10	810087-2	CAUTION LABEL		1				
D10		INC. 16						
264	240003-4	FAN 80		1				
265	941152-7	FLAT WASHER 6		4				
266	941152-7	FLAT WASHER 6		4				
267	216413-7	THRUST NEEDLE CAGE 1024		1				
268	253024-7	FLAT WASHER 10		1				
269	253047-5	FLAT WASHER 6		2	*			
269-1	267319-2	FLAT WASHER 6	O	2				
271	253047-5	FLAT WASHER 6		3	*			
271-1	267319-2	FLAT WASHER 6	O	3				
272	253047-5	FLAT WASHER 6		3	*			
272-1	267319-2	FLAT WASHER 6	O	3				
273	418931-3	CAP		2				
A01	122729-9	RULER ASS'Y		1	*			
C10	154580-9	RULE HOLDER COMPLETE		1	*			
C20	251858-2	DIAL SCREW M6X15		1	*			
C30	265730-2	THUMB SCREW M6X35		1	*			
C40	266085-8	H.S.SET SCREW(FLAT POINT)M6X10		1	*			
C50	345424-6	GUIDE PLATE		1	*			
C60	345557-7	NUT PLATE		1	*			

Mallinumero LF1000 FLIP OVER SAW 260MM

Sivu 9 / 10

Nimike	Osanumero	Kuvaus	I/C nu	MÄÄRÄ	N/O	Opt. 1	Opt. 2	HUOMAUTUS
D10		INC. A15			*			
A01-1	122729-9	RULER ASS'Y	O	1				
C10	251858-2	DIAL SCREW M6X15		1				
C20	265730-2	THUMB SCREW M6X35		1				
C30	266085-8	H.S.SET SCREW(FLAT POINT)M6X10		1				
C40	345692-1	GUIDE PLATE		1				
C50	345557-7	NUT PLATE		1	*			
C51	346628-3	NUT PLATE	<	1				
C60	331692-7	RULER A		1				
D10		INC. A15						
A02	122732-0	DUST COVER ASS'Y		1	*			
C10	252103-8	HEX. LOCK NUT M5-8		1	*			
C20	265746-7	THUMB SCREW M5X37		1	*			
A02-1	122732-0	DUST COVER ASS'Y	O	1				
C10	264004-8	HEX. LOCK NUT M5-8		1				
C20	265746-7	THUMB SCREW M5X37		1				
A03	122523-9	DUST BAG ASS'Y		1	*			
C10	410602-8	FASTENER		1	*			
A03-1	122852-0	DUST BAG ASS'Y	O	1				
C10	410602-8	FASTENER		1				
A04	122728-1	WISE ASS'Y		1	*			
C10	251887-5	SCREW M6X10		1	*			
C20	253804-1	FLAT WASHER 6		1	*			
C30	265153-4	+ PAN HEAD SCREW M5		1	*			
C40	271303-1	KNOB 40		1	*			
C50	317892-3	WISE ARM		1	*			
C60	322983-7	WISE ROD		1	*			
C70	345575-5	WISE PLATE		1	*			
A04-1	122728-1	WISE ASS'Y	O	1				
C10	251887-5	SCREW M6X10		1				
C20	267325-7	FLAT WASHER 6		1				
C30	265153-4	+ PAN HEAD SCREW M5		1				
C40	271303-1	KNOB 40		1				
C50	317892-3	WISE ARM		1				
C60	324663-1	WISE ROD		1				
C70	345575-5	WISE PLATE		1				
A05	122730-4	ANGLE RULE ASS'Y		1	*			
C10	163454-3	GUIDE PLATE		1	*			
C20	252631-3	SCREW M6		1	*			
C30	253047-5	FLAT WASHER 6		1	*			
C40	271401-1	KNOB 32		1	*			
C50	331693-5	RULER B		1	*			
C60	923326-2	CUP SQUARE NECK BOLT M6X18		1	*			
A05-1	122730-4	ANGLE RULE ASS'Y	O	1				
C10	163454-3	GUIDE PLATE		1				
C20	252631-3	SCREW M6		1				
C30	267319-2	FLAT WASHER 6		1				
C40	271401-1	KNOB 32		1				

