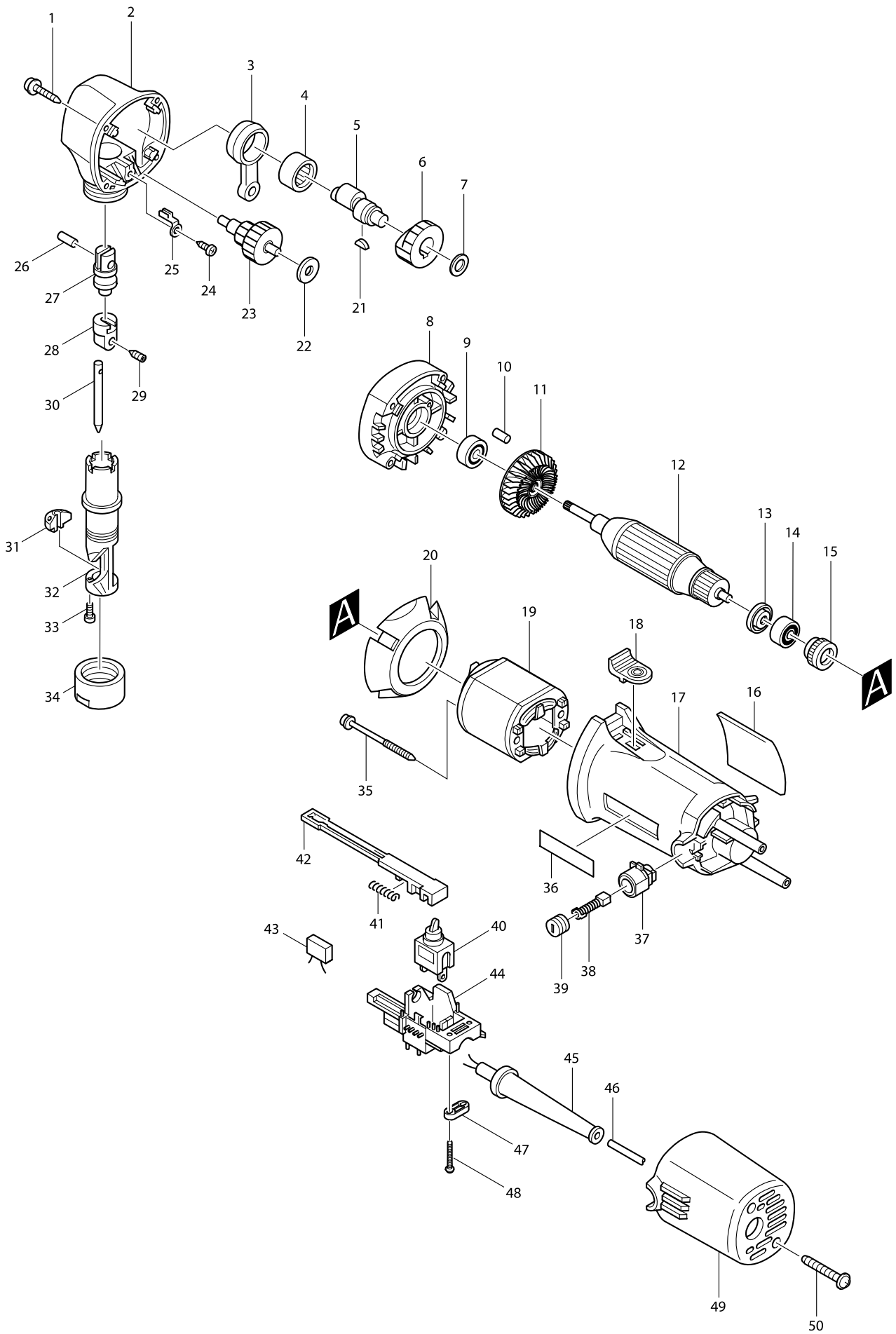


Model No. JN1601 NIBBLER



Model No. JN1601 NIBBLER

| Item | Parts No. | Description | I/C | Qty | N/O | Opt. 1 | Opt. 2 | Note |
|-------|-----------|-------------------------------|-----|-----|-----|--------|--------|------|
| 001 | 266053-1 | TAPPING SCREW 4X35 | | 4 | | | | |
| 002 | 159757-1 | GEAR HOUSING COMPLETE | | 1 | * | | | |
| C10 | 817658-6 | CAUTION LABEL | | 1 | * | | | |
| 002-1 | 144734-6 | GEAR HOUSING COMPLETE | S | 1 | | | | |
| C10 | 817658-6 | CAUTION LABEL | | 1 | | | | |
| 003 | 331438-1 | ROD | | 1 | | | | |
| 004 | 212222-2 | NEEDLE BEARING 1612 | | 1 | | | | |
| 005 | 322704-7 | CRANK SHAFT | | 1 | | | | |
| 006 | 226286-0 | SPUR GEAR 34 | | 1 | | | | |
| 007 | 253215-0 | FLAT WASHER 8 | | 1 | | | | |
| 008 | 159758-9 | GEAR HOUSING COVER COMPLETE | | 1 | | | | |
| C10 | 951051-5 | SPRING PIN 3-8 | | 1 | | | | |
| C20 | 212005-0 | NEEDLE BEARING 810 | | 1 | | | | |
| C30 | 212011-5 | NEEDLE BEARING 609 | | 1 | | | | |
| D10 | | INC. 10 | | | | | | |
| 009 | 210005-4 | BALL BEARING 608DDW | | 1 | | | | |
| 010 | 263002-9 | RUBBER PIN 4 | | 1 | | | | |
| 011 | 241875-0 | FAN 54 | | 1 | | | | |
| 012C_ | 517513-9 | ARMATURE ASS'Y 220V | | 1 | | | | |
| D10 | | INC. 9,11,13,14 | | | | | | |
| 013 | 681636-0 | INSULATION WASHER | | 1 | | | | |
| 014 | 211021-9 | BALL BEARING 607LLB | | 1 | | | | |
| 015 | 421479-6 | RUBBER RING 19 | | 1 | | | | |
| 016 | 857617-8 | NAME PLATE JN1601 | | 1 | | | | |
| 017 | 159755-5 | MOTOR HOUSING COMPLETE | | 1 | * | | | |
| C10 | 654125-8 | TERMINAL | | 2 | * | | | |
| 017-1 | 159755-5 | MOTOR HOUSING COMPLETE | < | 1 | | | | |
| C10 | 654125-8 | TERMINAL | | 2 | | | | |
| 018 | 415303-3 | SWITCH KNOB | | 1 | | | | |
| 019C_ | 635013-8 | FIELD 220V | | 1 | | | | |
| 020 | 415490-8 | BAFFLE PLATE | | 1 | | | | |
| 021 | 254002-0 | WOODRUFF KEY 3 | | 1 | | | | |
| 022 | 267133-6 | FLAT WASHER 6 | | 1 | | | | |
| 023 | 226123-8 | GEAR COMPLETE 13-37 | | 1 | | | | |
| 024-1 | 266026-4 | TAPPING SCREW BIND CT 4X12 | | 1 | | | | |
| 025 | 344116-4 | STOPPER | | 1 | | | | |
| 026 | 256111-1 | PIN 6 | | 1 | | | | |
| 027 | 322703-9 | RAM | | 1 | | | | |
| 028 | 322702-1 | PUNCH HOLDER | | 1 | | | | |
| 029 | 265880-3 | H.S.SET SCREW(CONE POINT)M5X8 | | 1 | | | | |
| 030 | A-15067 | PUNCH | | 1 | * | | | |
| 030-1 | A-83951 | PUNCH | | 1 | | | | |
| 031 | A-15051 | DIE | | 1 | | | | |
| 032 | 322701-3 | DIE HOLDER | | 1 | | | | |
| 033-1 | 266080-8 | HEX. SOCKET HEAD BOLT M3X12 | | 2 | | | | |
| 034 | 322748-7 | LOCK NUT | | 1 | | | | |
| 035 | 266060-4 | TAPPING SCREW 4X65 | | 2 | | | | |
| 036 | 819063-3 | MAKITA LABEL | | 1 | * | | | |

