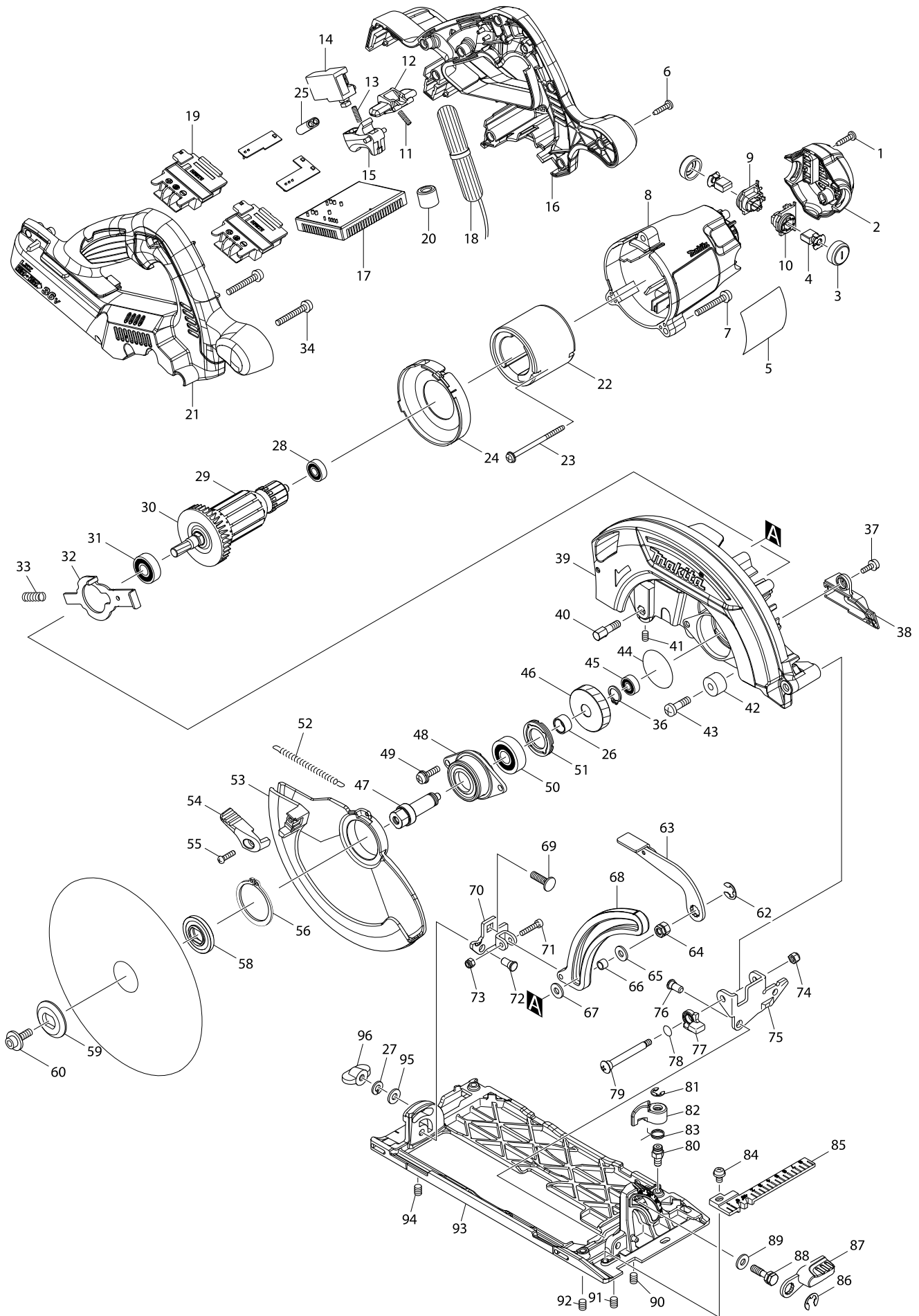


Model No. DHS710 190MM CORDLESS CIRCULAR SAW



Model No. DHS710 190MM CORDLESS CIRCULAR SAW

Item	Parts No.	Description	I/C	Qty	N/O	Opt. 1	Opt. 2	Note
001	266326-2	TAPPING SCREW 4X18		2				
002	454697-1	REAR COVER		1				
003	643829-7	HOLDER CAP		2				
004	194928-3	CARBON BRUSH CB-442		1				
005	814Y56-5	DHS710 NAME PLATE		1				
006	266326-2	TAPPING SCREW 4X18		9				
007	911258-5	PAN HEAD SCREW M5X35		3				
008	454693-9	MOTOR HOUSING		1				
009	644503-0	BRUSH HOLDER		1				
010	644504-8	BRUSH HOLDER		1				
011	231469-9	COMPRESSION SPRING 4		1				
012	419664-3	LOCK OFF LEVER		1				
013	231469-9	COMPRESSION SPRING 4		1				
014	650730-9	SWITCH TG72BD-6		1				
015	419665-1	SWITCH LEVER		1				
016	187768-6	HANDLE SET		1				
C10	263005-3	RUBBER PIN 6		4				
C20	802G93-3	INDICATION LABEL		1				
D10		INC. 21						
017	620254-9	CONTROLLER		1	*			
017-1	620305-8	CONTROLLER	<	1				
018	632B66-0	LEAD UNIT		1				
019	643899-6	TERMINAL		2				
020	688163-8	LINE FILTER		1				
021	187768-6	HANDLE SET		1				
C10	263005-3	RUBBER PIN 6		4				
C20	802G93-3	INDICATION LABEL		1				
D10		INC. 16						
022	638571-3	YOKE UNIT		1				
023	266292-3	TAPPING SCREW 4X65		2				
024	454696-3	BAFFLE PLATE		1				
025	688172-7	LINE FILTER		1				
026	257349-1	SLEEVE 12		1				
027	942151-2	SPRING WASHER 6		1				
028	210017-7	BALL BEARING 607DDW		1				
029	519332-9	ARMATURE ASS'Y 36V		1				
D10		INC. 28,30,31						
030	240045-8	FAN 55		1				
031	210059-1	BALL BEARING 6000DDW		1				
032	344681-3	SHAFT LOCK		1				
033	233117-6	COMPRESSION SPRING 6		1				
034	911258-5	PAN HEAD SCREW M5X35		2				
036	961052-5	RETAINING RING S-12		1				
037	911223-4	PAN HEAD SCREW M5X16		1				
038	453285-1	DUCT		1				
039	142365-5	BLADE CASE COMPLETE		1				
C10	213434-0	O RING 26		1				
040	265594-4	HEX.BOLT M6X18		1				

Model No. DHS710 190MM CORDLESS CIRCULAR SAW

Item	Parts No.	Description	I/C	Qty	N/O	Opt. 1	Opt. 2	Note
041	266229-0	H.S.SET SCREW(CUP POINT)M5X8		1				
042	262552-1	RUBBER SLEEVE 6		1				
043	251247-1	+ PAN HEAD SCREW M6X20		1				
044	213512-6	O RING 39		1				
045	210028-2	BALL BEARING 606ZZ		1				
046	227786-3	HELICAL GEAR 49		1				
047	326357-4	SPINDLE		1				
048	319088-2	BEARING BOX		1				
049	911233-1	PAN HEAD SCREW M5X20		2				
050	211129-9	BALL BEARING 6201DDW		1				
051	285852-2	BEARING RETAINER 19-33		1				
052	231877-4	TENSION SPRING 4		1				
053	319072-7	SAFETY COVER		1				
054	272258-3	LEVER 37		1				
055	265178-8	PAN HEAD SCREW M4X16		1				
056	961155-5	RETAINING RING S-38		1				
058	224412-5	INNER FLANGE 35		1	*			
058-1	224473-5	INNER FLANGE 35	<	1				
059	224409-4	OUTER FLANGE 35		1				
060	266308-4	HEX. SOCKET HEAD BOLT M6X20		1	*			
060-1	266925-0	HEX.SOCKET HEX.BOLT M6X18	O	1				
062	257982-9	BOW STOP RING E-8		1				
063	272279-5	LEVER PLATE		1				
064	264096-7	HEX. NUT M6		1				
065	267100-1	FLAT WASHER 6		1				
066	257669-3	SLEEVE 6		1				
067	267100-1	FLAT WASHER 6		1				
068	141312-3	DEPTH GUIDE COMPLETE		1				
069	251919-8	CAP SQUARE NECK BOLT M6X20		1				
070	165670-3	REAR ANGULAR GUIDE		1				
071	922137-2	HEX. SOCKET HEAD BOLT M4X20		1				
072	256480-0	SHOULDER PIN 6-7		1				
073	252126-6	HEX. LOCKING NUT M4-7		1				
074	252103-8	HEX. LOCK NUT M5-8		1				
075	345590-9	ANGULAR GUIDE		1				
076	256480-0	SHOULDER PIN 6-7		1				
077	318823-5	STOPPER		1				
078	213062-1	O RING 9		1	*			
078-1	213977-2	O RING 7	<	1				
079	266734-7	+ TRUSS HEAD SCREW M5		1				
080	265571-6	HEX. BOLT M6X10		2				
081	961012-7	STOP RING E-6		2				
082	453165-1	LOCK LEVER		2				
083	233596-8	TORSION SPRING 11		2				
084	911203-0	PAN HEAD SCREW M5X8		1				
085	453286-9	TOP GUIDE		1				
086	257982-9	BOW STOP RING E-8		1				
087	272272-9	LEVER 45		1				

