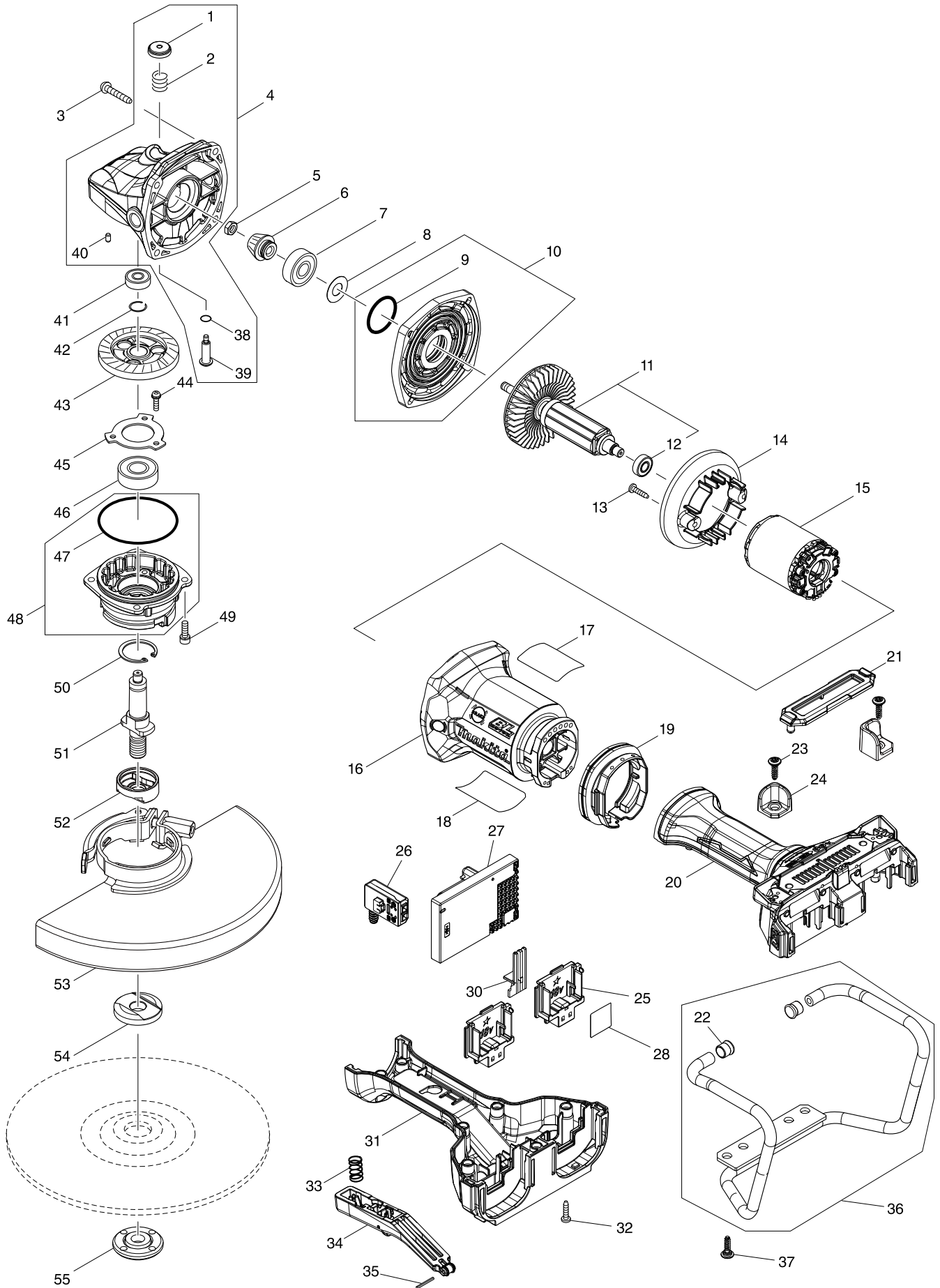


Model No. DGA900 230MM CORDLESS ANGLE GRINDER



Model No. DGA900 230MM CORDLESS ANGLE GRINDER

Item	Parts No.	Description	I/C	Qty	N/O	Opt. 1	Opt. 2	Note
001	451485-7	PIN CAP		1				
002	233089-5	COMPRESSION SPRING 12		1				
003	266173-1	TAPPING SCREW 5X30		4				
004	135918-7	GEAR HOUSING ASS'Y		1				
D10		INC. 1,2,38-40						
005	264010-3	HEX.NUT M7		1				
006	227563-3	SPIRAL BEVEL GEAR 10B		1				
007	211137-0	BALL BEARING 6201LLU		1				
008	253759-0	FLAT WASHER 12		1				
009	213459-4	O RING 32		1				
010	135916-1	GEAR HOUSING COVER ASS'Y		1				
D10		INC. 9						
011	519436-7	ROTOR ASS'Y		1				
D10		INC. 12						
012	211166-3	BALL BEARING 698DDW		1				
013	266326-2	TAPPING SCREW 4X18		2				
014	457618-2	BAFFLE PLATE		1				
015	629260-1	STATOR		1				
016	457615-8	MOTOR HOUSING		1				
018	853J89-5	DGA900 NAME PLATE		1				
019	457619-0	VIBRATION PROOF RUBBER		1				
020	135920-0	HANDLE SWITCH LEVER ASS'Y		1				
C10	263005-3	RUBBER PIN 6		4				
D10		INC. 31,33-35						
021	457620-5	DUST COVER		1				
022	422230-7	CAP		2				
023	251587-7	H.L.TAPPING SCREW 5X18		2				
024	327048-0	PROTECTION BLOCK		2				
025	644809-6	TERMINAL		2				
026	651083-9	SWITCH C3XA-1PSPM		1				
027	135935-7	CONTROLLER ASSEMBLY		1				
028	853J94-2	DGA900 SERIAL NO. LABEL		1				
030	457621-3	LENS		1				
031	135920-0	HANDLE SWITCH LEVER ASS'Y		1				
C10	263005-3	RUBBER PIN 6		4				
D10		INC. 20						
032	265999-8	TAPPING SCREW 4X25		7				
033	234357-9	COMPRESSION SPRING 11		1				
034	144584-9	SWITCH LEVER COMPLETE		1				
035	951019-1	SPRING PIN 2-20		1				
036	135919-5	GUARD PIPE ASS'Y		1				
D10		INC. 22						
037	251587-7	H.L.TAPPING SCREW 5X18		4				
038	213026-5	O RING 7		1				
039	256516-5	SHOULDER PIN 11		1				
040	263002-9	RUBBER PIN 4		1				
041	210029-0	BALL BEARING 608ZZ		1				
042	233925-5	RING SPRING 13		1				

