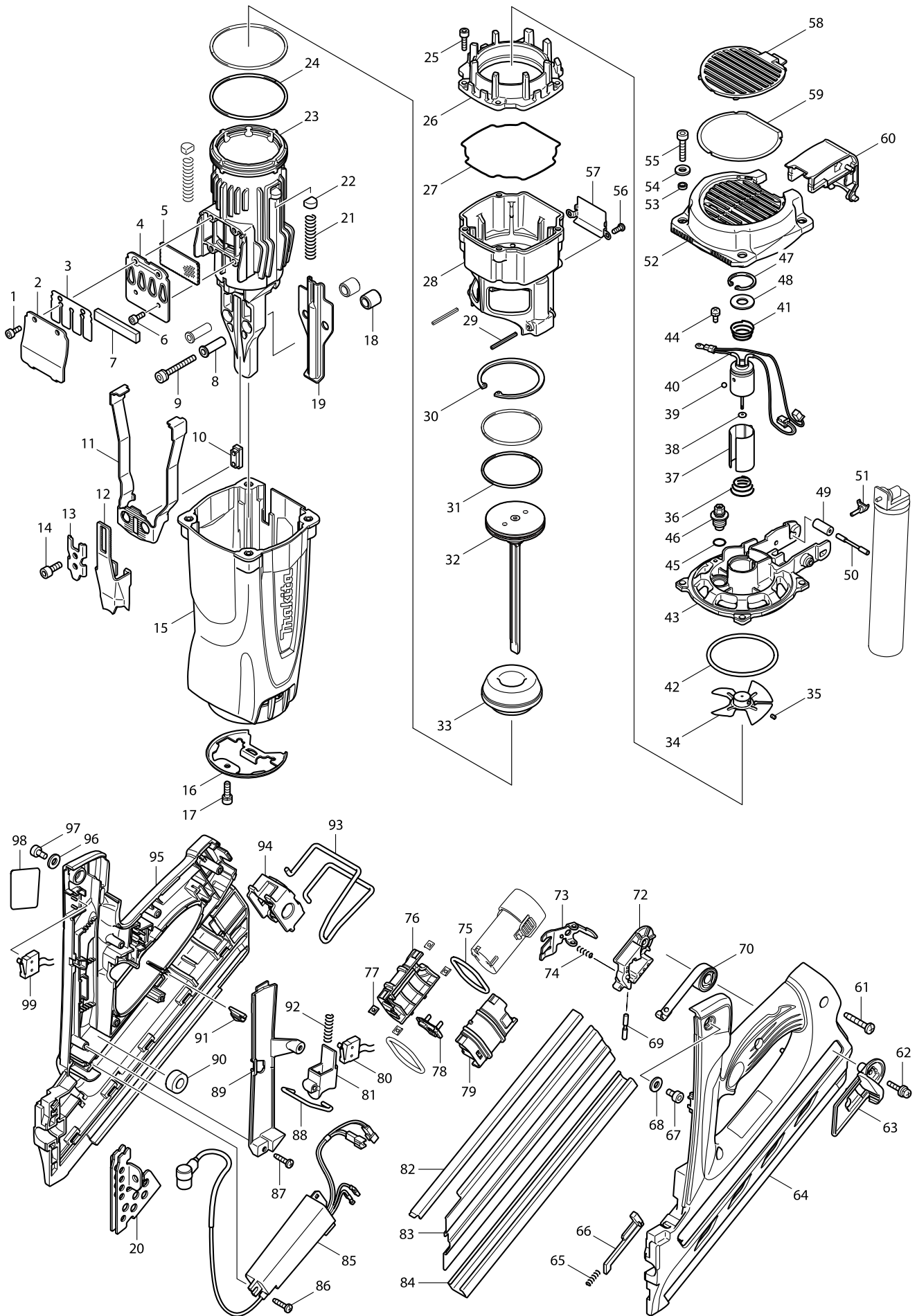


Model No. GN900 GAS FRAMING NAILER



Model No. GN900 GAS FRAMING NAILER

Item	Parts No.	Description	I/C	Qty	N/O	Opt. 1	Opt. 2	Note
001	922112-8	HEX. SOCKET HEAD BOLT M4X10		2				
002	345984-8	EXHAUST COVER		1				
003	345982-2	EXHAUST VALVE		1				
004	345983-0	EXHAUST PLATE		1				
005	352008-3	PUNCHING METAL		1				
006	922112-8	HEX. SOCKET HEAD BOLT M4X10		2				
007	352009-1	SILENCER		1				
008	324975-2	SLEEVE 6		2	*			
008-1	325711-9	SLEEVE 5	S	2				
009	266271-1	HEX. SOCKET HEAD BOLT M5X35		2	*			
009-1	265562-7	HEX SOCKET HEAD BOLT M5X35	<	2	*			
009-2	266620-2	HEX SOCKET HEAD BOLT M5X35	<	2				
010	313157-1	ARM CONNECTOR		1				
011	345987-2	ARM		1				
012	345990-3	CONTACT TOP		1				
013	345991-1	ARM PLATE		1				
014	922207-7	HEX. SOCKET HEAD BOLT M5X10		2				
015	450729-2	HOUSING		1	*			
015-1	141032-9	HOUSING COMPLETE	O	1				
016	346008-3	FRONT PLATE		1				
017	266086-6	HEX. SOCKET HEAD BOLT M5X16		3				
018	257774-6	SLEEVE 9		2	*			
018-1	257784-3	SLEEVE 8	S	2				
019	345986-4	DRIVER GUIDE PLATE		1	*			
019-1	346124-1	DRIVER GUIDE PLATE	S	1				
020	346006-7	UNDER DRIVER GUIDE		1	*			
020-1	346357-8	UNDER DRIVER GUIDE	<	1				
021	234083-0	COMPRESSION SPRING 8		2	*			
021-1	234127-6	COMPRESSION SPRING 8	<	2				
022	424138-1	STOP RUBBER		2				
023	318319-6	CYLINDER		1	*			
023-1	318496-4	CYLINDER	S	1				
024	324973-6	CYLINDER RING		2				
025	922127-5	HEX. SOCKET HEAD BOLT M4X16		4				
026	318322-7	CHAMBER TOP		1				
027	424139-9	CHAMBER SEAL RING		1				
028	318320-1	CHAMBER		1				
029	951078-5	SPRING PIN 3-32		2				
030	962254-6	RETAINING RING (INT) R-58		1				
031	324972-8	PISTON RING		2				
032	158840-1	DRIVER COMPLETE		1				
033	424137-3	FRONT CUSHION		1				
034	241674-0	FAN 60		1				
035	913904-6	SET SCREW (CUP POINT) M3X4		1				
036	233969-5	C COMPRESSION SPRING 12-18		1				
037	450737-3	MOTOR SLEEVE		1	*			
037-1	454002-2	MOTOR SLEEVE	O	1				
038	261141-9	EPOXY WASHER 2		1				

Model No. GN900 GAS FRAMING NAILER

Item	Parts No.	Description	I/C	Qty	N/O	Opt. 1	Opt. 2	Note
039	216019-1	STEEL BALL 3		1				
040	629860-7	DC MOTOR		1				
041	233969-5	C COMPRESSION SPRING 12-18		1				
042	213677-4	O-RING 60		1	*			
042-1	213679-0	O-RING 60	<	1				
043	318321-9	CYLINDER HEAD		1				
044	652014-1	PAN HEAD SCREW M4X8		1				
045	213070-2	O RING 10		1				
046	162269-5	SPARK PLUG		1				
047	962103-7	RETAINING RING R-24		1				
048	253024-7	FLAT WASHER 10		1				
049	422044-4	RUBBER SLEEVE 9		1				
050	324976-0	SHOULDER PIN 4		1				
051	450731-5	STEM ADAPTER		1	*			
051-1	454003-0	STEM ADAPTER	O	1				
052	450730-7	TOP CAP		1				
053	257672-4	SLEEVE 5		4				
054	941101-4	FLAT WASHER 5		4				
055	922242-5	HEX. SOCKET HEAD BOLT M5X25		4				
056	265069-3	+PAN HEAD SCREW M4X10		2				
057	345985-6	TRIGGER LOCK PLATE		1				
058	450733-1	FILTER COVER		1				
059	162270-0	FILTER		1				
060	450732-3	ACTUATER		1	*			
060-1	454202-4	ACTUATER	O	1				
061	266041-8	TAPPING SCREW 5X25		3				
062	911138-5	PAN HEAD SCREW M4X20		1				
063	450735-7	PUSHER LEVER		1				
064	188625-1	HANDLE SET		1				
C10	808225-8	LED INDICATION LABEL		1				
C20	810458-3	CAUTION LABEL		1				
D10		INC. 95						
065	233054-4	COMPRESSION SPRING 4		1				
066	310289-5	LOCK BAR		1				
067	265907-9	HEX. SOCKET HEAD BOLT M5X10		1				
068	941101-4	FLAT WASHER 5		1	*			
068-1	941102-2	FLAT WASHER 5	<	1				
069	324977-8	SHOULDER PIN 4		1				
070	158791-8	SPIRAL SPRING COMPLETE		1				
072	450734-9	PUSHER HOLDER		1				
073	345992-9	PUSHER		1				
074	234084-8	COMPRESSION SPRING 3		1				
075	424152-7	RUBBER RING 40		2				
076	188598-8	BATTERY CASE SET		1				
D10		INC. 79						
077	345749-8	SET PLATE		4				
078	643817-4	TERMINAL		1				
079	188598-8	BATTERY CASE SET		1				

Model No. GN900 GAS FRAMING NAILER

Item	Parts No.	Description	I/C	Qty	N/O	Opt. 1	Opt. 2	Note
D10		INC. 76						
080	638642-6	SWITCH UNIT		1				
081	450736-5	TRIGGER		1				
082	345988-0	NAIL RAIL		1				
083	345989-8	NAIL PLATE		1				
084	345981-4	MAGAZINE SUPPORTER		1				
085	631820-7	SPARK UNIT		1	*			
085-1	620158-5	SPARK UNIT	<	1				
086	265995-6	TAPPING SCREW 4X18		2				
087	265995-6	TAPPING SCREW 4X18		2				
088	324974-4	CHAMBER LOCK BAR		1				
089	450740-4	LEAD WIRE COVER		1				
090	688131-1	LINE FILTER		1				
091	450741-2	LENZ		1				
092	231307-5	COMPRESSION SPRING 6		1	*			
092-1	234113-7	COMPRESSION SPRING 5	<	1				
093	324953-2	HOOK		1				
094	318338-2	HOOK HOLDER		1				
095	188625-1	HANDLE SET		1				
C10	808225-8	LED INDICATION LABEL		1				
C20	810458-3	CAUTION LABEL		1				
D10		INC. 64						
096	941101-4	FLAT WASHER 5		1	*			
096-1	941102-2	FLAT WASHER 5	<	1				
097	265907-9	HEX. SOCKET HEAD BOLT M5X10		1				
098	866161-4	GN900 NAME PLATE		1				
099	638642-6	SWITCH UNIT		1				
100	346358-6	FRONT SPACER		1				
A01	192517-8	SAFETY GOGGLE		1	*			
A01-1	195246-2	SAFETY GOGGLE	<	1				
A02	783202-0	HEX. WRENCH 4		1	*			
A02-1	783230-5	HEX. WRENCH 4	<	1				
A03	824875-1	PLASTIC CARRYING CASE		1				
C10	163455-1	LATCH		2				
A04A	808290-7	GN900SE PLASTIC CASE LABEL		1				
A04B	808293-1	GN900ZK PLASTIC CASE LABEL		1				
A05A	***DC07SA	DC07SA BATTERY CHARGER		1				
A06A	194355-4	BATTERY BL7010 SET		2	*			
A06-1A	194355-4	BATTERY BL7010 SET	<	2				