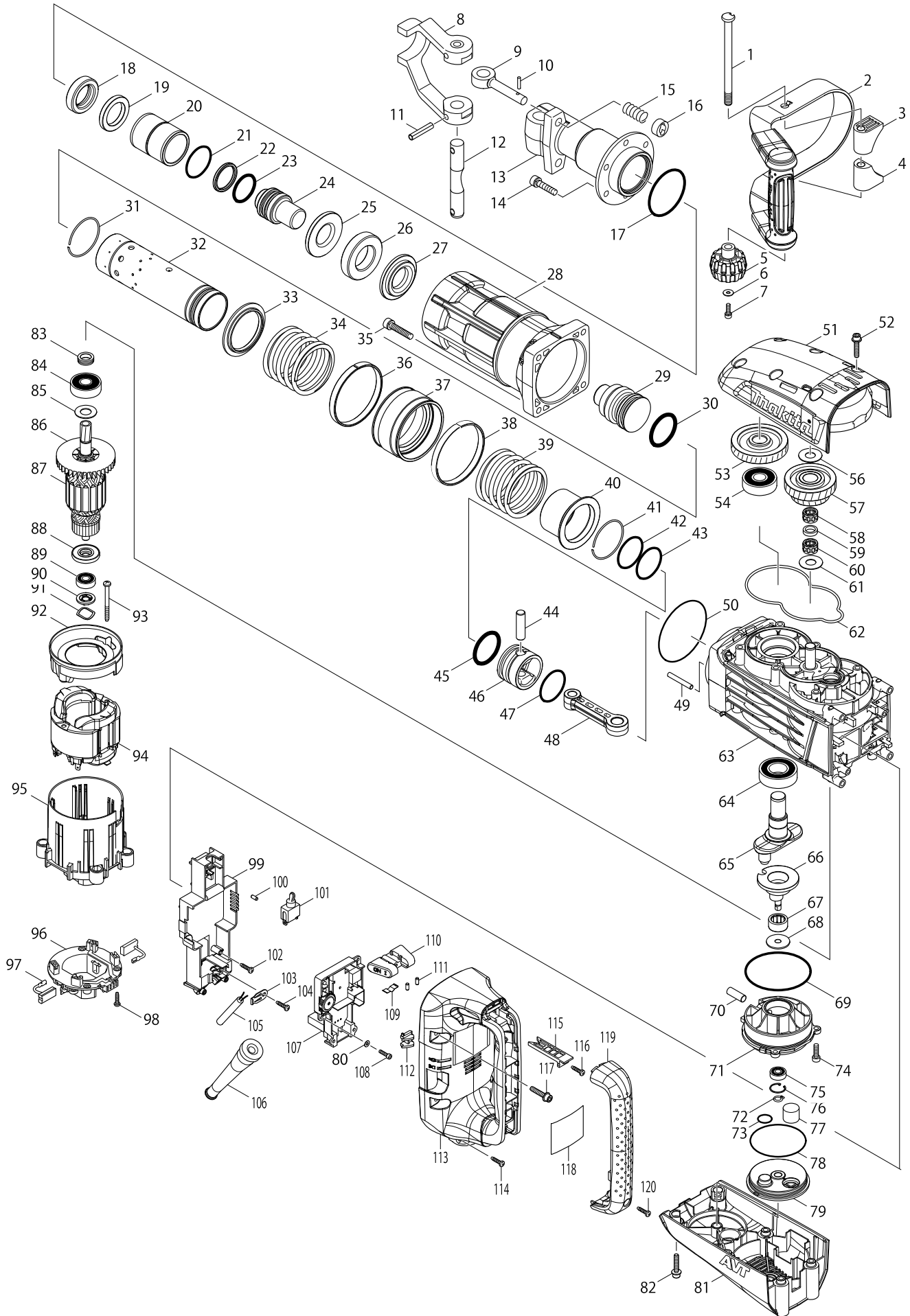


# Model No. HM1317CB ELECTRIC BREAKER



# Model No. HM1317CB ELECTRIC BREAKER

Item	Parts No.	Description	I/C	Qty	N/O	Opt. 1	Opt. 2	Note
001	266512-5	SET BOLT M10X142		1				
002	163506-0	SIDE HANDLE		1				
003	451331-4	HANDLE BASE		1				
004	451331-4	HANDLE BASE		1				
005	252654-1	THUMB NUT M10		1				
006	253194-2	FLAT WASHER 5		1				
007	922221-3	HEX. SOCKET HEAD BOLT M5X16		1				
008	325895-3	TOOL RETAINER		1				
009	322477-2	TOOL RETAINER POLE		2				
010	256219-1	PIN 4		2				
011	951272-9	SPRING PIN 8-40		2				
012	324238-6	TOOL RETAINER SHAFT		1				
013	331872-5	TOOL HOLDER		1				
014	266011-7	HEX. SOCKET HEAD BOLT M8X35		6				
015	233083-7	COMPRESSION SPRING 12		2				
016	322560-5	RETAINER RING		2				
017	213720-9	O RING 67		1				
018	262151-9	URETHAN RING 32		1				
019	257301-9	RING 35		1				
020	257788-5	SLEEVE 43		1				
021	213569-7	O RING 45		1				
022	213192-8	X-RING 36		1				
023	213150-4	O-RING 36		1				
024	325687-0	IMPACT BOLT		1				
025	325683-8	WASHER 30		1				
026	424206-0	RUBBER RING 36		1				
027	325684-6	SHOULDER RING 32		1				
028	318458-2	BARREL		1				
029	325685-4	STRIKER		1	*			
029-1	325685-4	STRIKER	O	1				
030	213193-6	O-RING 42		1				
031	233977-6	RING SPRING 55		1				
032	331870-9	CYLINDER 52		1				
033	451168-9	SHOULDER SLEEVE		1				
034	234111-1	COMPRESSION SPRING 66		1				
035	265367-5	HEX. SOCKET HEAD BOLT M8X40		4				
036	451169-7	WEIGHT GUIDE		1				
037	331867-8	COUNTER WEIGHT		1				
038	451169-7	WEIGHT GUIDE		1				
039	234111-1	COMPRESSION SPRING 66		1				
040	331868-6	SLIDE SLEEVE		1				
041	233977-6	RING SPRING 55		1				
042	213569-7	O RING 45		1				
043	213569-7	O RING 45		1				
044	256238-7	PIN 12		1				
045	213193-6	O-RING 42		1				
046	318459-0	PISTON		1				
047	213569-7	O RING 45		1				

# Model No. HM1317CB ELECTRIC BREAKER

Item	Parts No.	Description	I/C	Qty	N/O	Opt. 1	Opt. 2	Note
048	451164-7	CONNECTING ROD		1				
049	268241-6	PIN 6		1				
050	213806-9	O RING 90		1				
051	318462-1	GEAR COVER		1				
052	266499-1	H.S HEAD BOLT M6X30 WITH GM		6				
053	227709-1	HELICAL GEAR 47		1				
054	211306-3	BALL BEARING 6204LLB		1				
056	267166-1	FLAT WASHER 14		1				
057	226156-3	GEAR COMPLETE 31-43		1				
058	212159-3	NEEDLE CAGE 1412		1				
059	262157-7	NYLON RING 14		1				
060	212159-3	NEEDLE CAGE 1412		1				
061	267166-1	FLAT WASHER 14		1				
062	424207-8	SEAL RING		1				
063	140056-2	CRANK HOUSING COMPLETE		1				
064	211373-8	BALL BEARING 6205LLU		1				
065	331871-7	CRANK SHAFT		1				
066	331869-4	COUNTER SHAFT		1				
067	212264-6	NEEDLE ROLLER BEARING 1813		1				
068	325686-2	SHOULDER WASHER 8		1				
069	213809-3	O RING 87		1				
070	268240-8	PIN 10		1				
071	140057-0	BEARING BOX COMPLETE		1				
072	961004-6	RETAINING RING S-8		1				
073	213261-5	O RING 17		1				
074	265844-7	HEX. SOCKET HEAD BOLT M6X20		3				
075	211032-4	BALL BEARING 608ZZ		1				
076	962112-6	RETAINING RING R-22		1				
077	443127-7	FILTER		1				
078	213758-4	O RING 74		1				
079	451166-3	CRANK CAP COVER		1				
080	941051-3	FLAT WASHER 4		2	*			
080-1	346546-5	PLATE	X	2	*			
081	451167-1	REAR COVER		1				
082	266499-1	H.S HEAD BOLT M6X30 WITH GM		6				
083	331855-5	SEALING SCREW		1				
084	211249-9	BALL BEARING 6302LLU		1				
085	267397-2	FLAT WASHER 15		1				
086	240003-4	FAN 80		1				
087	517788-0	ARMATURE ASSEMBLY 220-240V		1				
D10		INC. 84-86,88,89						
088	681642-5	INSULATION WASHER		1				
089	210059-1	BALL BEARING 6000DDW		1				
090	451107-9	WASHER GUIDE		1				
091	267809-5	WAVE WASHER 19		1				
092	451111-8	BAFFLE PLATE		1				
093	266044-2	TAPPING SCREW 5X60		2				
094	636333-3	FIELD 220-240V		1				

# Model No. HM1317CB ELECTRIC BREAKER

Item	Parts No.	Description	I/C	Qty	N/O	Opt. 1	Opt. 2	Note
095	451117-6	MOTOR HOUSING		1				
096	638447-4	BRUSH HOLDER UNIT		1	*			
096-1	632D00-2	BRUSH HOLDER UNIT	<	1				
097	194412-8	CARBON BRUSH CB-171		1	*			
097-1	195844-2	CARBON BRUSH CB-175	O	1				
098	265995-6	TAPPING SCREW 4X18		4				
099	158986-3	CONTROLLER COVER COMPLETE		1	*			
099-1	158986-3	CONTROLLER COVER COMPLETE	S	1				
100	263027-3	RUBBER PIN 4		1				
101	651423-1	SWITCH		1				
102	265995-6	TAPPING SCREW 4X18		2				
103	687169-3	STRAIN RELIEF		1				
104	265995-6	TAPPING SCREW 4X18		1				
105	695123-3	POWER SUPPLY CORD 1.5-2-4.0		1				
106	682560-0	CORD GUARD 10		1				
107	631920-3	CONTROLLER		1	*			
107-1	631920-3	CONTROLLER	S	1	*			
107-2	620230-3	CONTROLLER	S	1				
108	265490-6	HEX. SOCKET HEAD BOLT M4X16		2	*			
108-1	266834-3	H.S.H.BOLT M4X18 WITH GM	S	2				
109	232209-8	LEAF SPRING		1				
110	451112-6	SLIDE LEVER		1				
111	263027-3	RUBBER PIN 4		2				
112	451105-3	LENS		1				
113	451118-4	HANDLE		1				
114	265995-6	TAPPING SCREW 4X18		1				
115	451106-1	SWITCH LEVER		1				
116	265995-6	TAPPING SCREW 4X18		1				
117	266499-1	H.S HEAD BOLT M6X30 WITH GM		4				
118	867310-6	HM1317CB NAME PLATE		1				
119	451119-2	HANDLE COVER		1				
120	265995-6	TAPPING SCREW 4X18		2				
121	442180-0	BOTH SIDE ADHESIVE TAPE	S	1	*			
122	126092-2	CONTROLLER ASSEMBLY		1	*			
D10		INC. 99,102,107,121			*			
122-1	141800-0	CONTROLLER ASSEMBLY	<	1	*			
D10		INC. 99,102,107,121			*			
A01	D-31918	BULL POINT 410 BULK		1	*			
A01-1	D-17631	BULL POINT 410	<	1				
A02	824897-1	PLASTIC CARRYING CASE		1				
C10	162271-8	LATCH		2				
A03	809557-6	HM1317CB PLASTIC CASE LABEL		2				