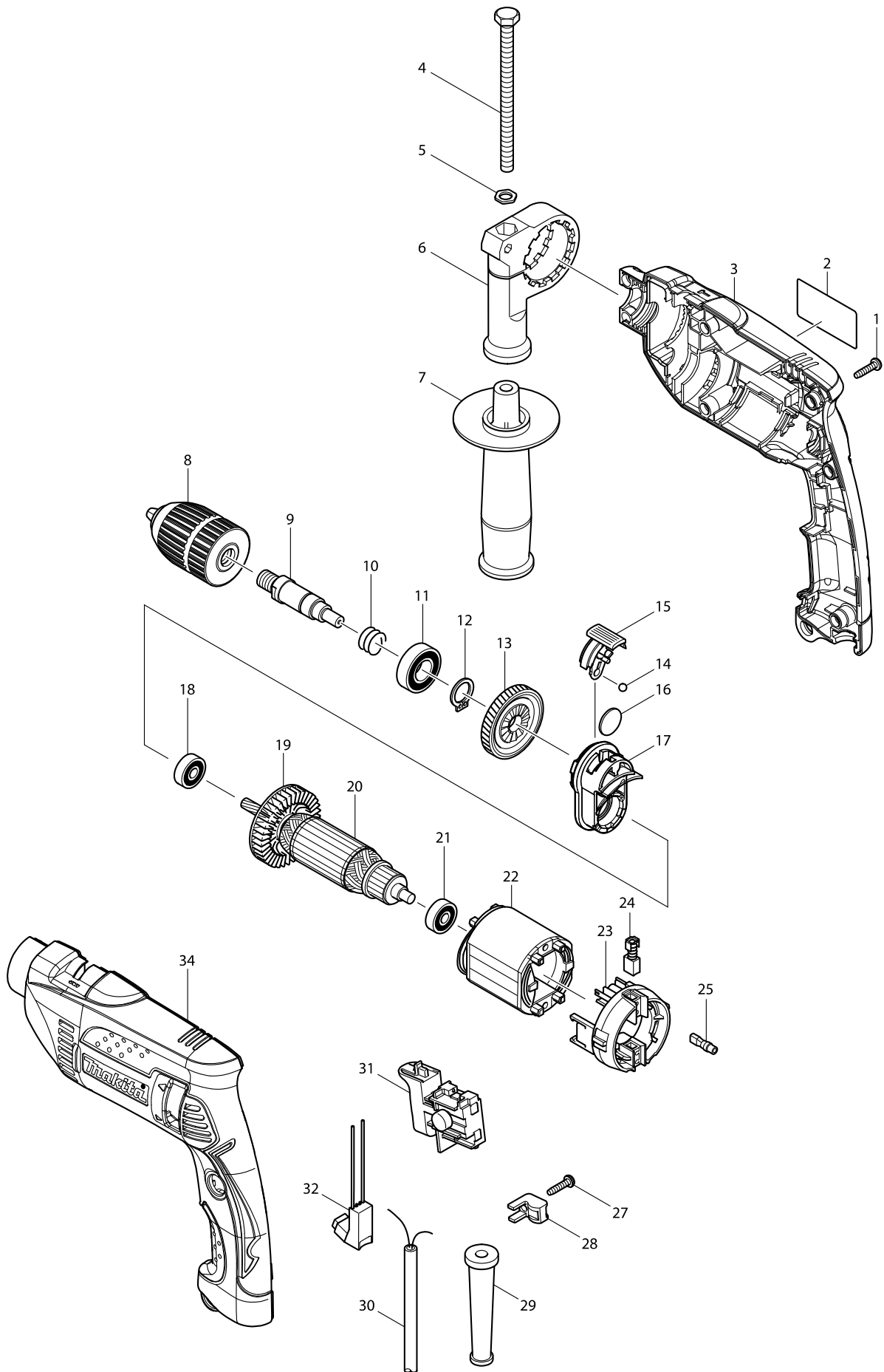


# Model No. HP1641F HAMMER DRILL 16MM



# Model No. HP1641F HAMMER DRILL 16MM

Item	Parts No.	Description	I/C	Qty	N/O	Opt. 1	Opt. 2	Note
001	265995-6	TAPPING SCREW 4X18		7				
002	866007-4	HP1641F NAME PLATE		1				
003	188612-0	HOUSING SET		1				
C10	345399-9	PLATE		2				
D10		INC. 34						
004	265583-9	HEX. BOLT M8X120		1				
005	345280-4	HEX. WASHER		1				
006	417630-4	GRIP BASE		1				
007	152489-9	GRIP 36 COMPLETE		1				
008A	192692-0	KEYLESS DRILL CHUCK		1	*			
008B	192692-0	KEYLESS DRILL CHUCK		1	*			
008-1A	196193-0	KEYLESS DRILL CHUCK	O	1	*			
008-1B	196193-0	KEYLESS DRILL CHUCK	O	1	*			
008-1C	196193-0	KEYLESS DRILL CHUCK		1	*			
008-2	196564-1	KEYLESS DRILL CHUCK	O	1				
009	324397-6	SPINDLE		1				
010	233389-3	COMPRESSION SPRING 15		1				
011	211201-7	BALL BEARING 6002LLB		1				
012	961055-9	RETAINING RING S-15		1				
013	226579-5	HELICAL GEAR 45		1				
014	216018-3	STEEL BALL 5.0		1				
015	418319-7	CHANGE LEVER		1				
016	345354-1	PLATE 19		1				
017A	153831-7	CAM HOLDER COMPLETE		1	*			
017B	153831-7	CAM HOLDER COMPLETE		1	*			
017-1A	141165-0	CAM HOLDER COMPLETE	<	1				
017-1B	141165-0	CAM HOLDER COMPLETE	<	1				
017-1C	141165-0	CAM HOLDER COMPLETE		1				
018	210023-2	BALL BEARING 627DDW		1				
019	240067-8	FAN 55		1				
020	517458-1	ARMATURE ASS'Y 220-240V		1				
D10		INC. 18,19,21						
021	211028-5	BALL BEARING 627LB		1				
022	633568-7	FIELD 220-240V		1				
023	638237-5	BRUSH HOLDER UNIT		1				
024	191962-4	CARBON BRUSH CB-419		1				
025	686038-5	RECEPTACLE SLEEVE		2				
027	265995-6	TAPPING SCREW 4X18		1				
028	687260-7	STRAIN RELIEF		1				
029	682502-4	CORD GUARD 8-85		1				
030	665383-1	POWER SUPPLY CORD 1.0-2-2.0		1				
031	650570-5	SWITCH TG843TB-2		1				
032	631823-1	LIGHT CIRCUIT		1				
034	188612-0	HOUSING SET		1				
C10	345399-9	PLATE		2				
D10		INC. 3						
A01	324219-0	DEPTH GAUGE		1				
A02A	824724-2	PLASTIC CARRYING CASE		1	*			

