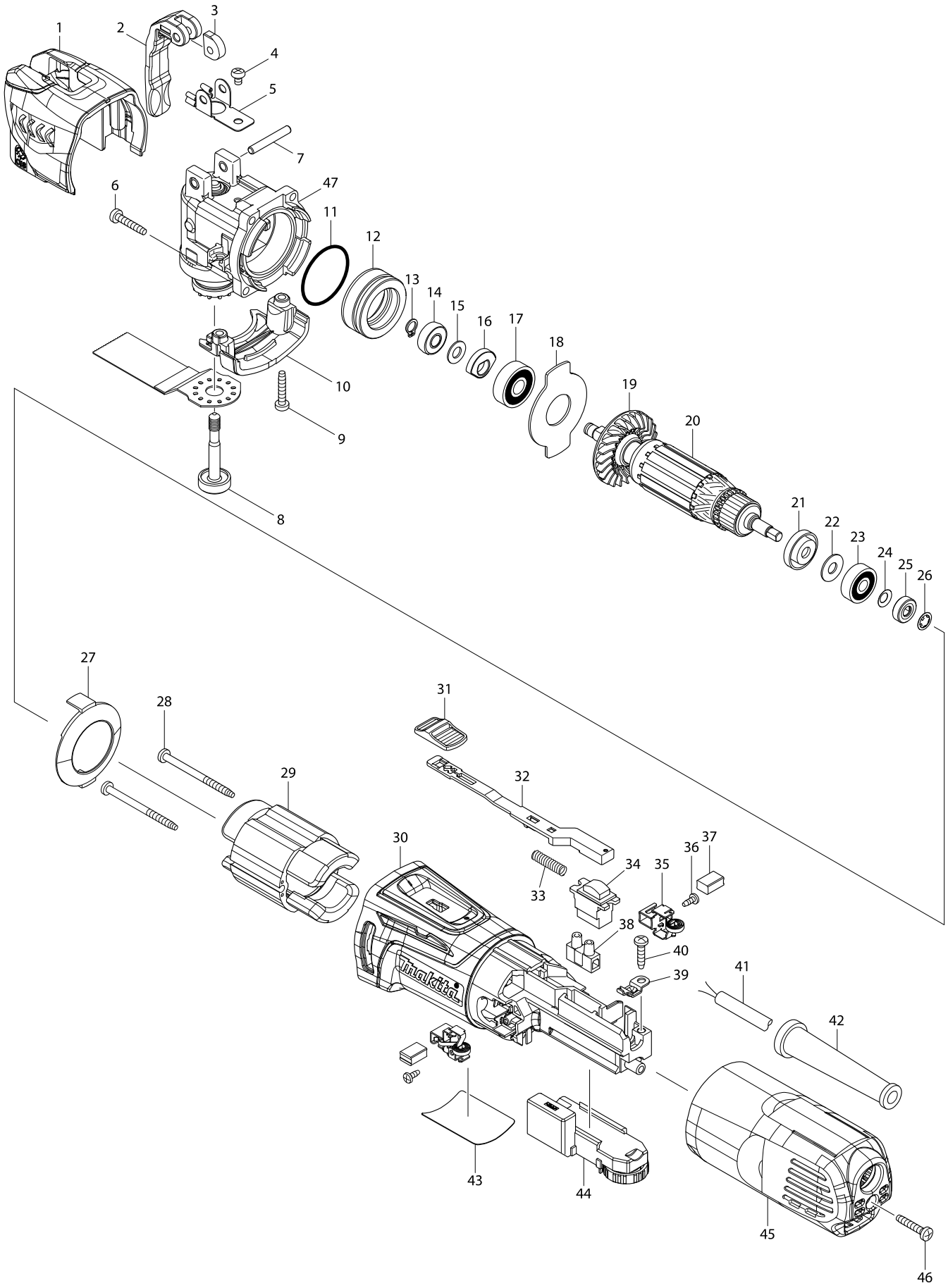


# Model No. TM3010C MULTI TOOL



# Model No. TM3010C MULTI TOOL

Item	Parts No.	Description	I/C	Qty	N/O	Opt. 1	Opt. 2	Note
001	454634-5	UPPER HEAD COVER		1	*			
001-1	455272-6	UPPER HEAD COVER	O	1				
002	319059-9	LEVER		1				
003	313268-2	TURN BLOCK		1				
004	911102-6	PAN HEAD SCREW M4X6		1				
005	232282-8	LEAF SPRING		1				
006	266424-2	TAPPING SCREW 4X20		4				
007	268306-4	PIN 5		1				
008	326346-9	HOLDER BOLT		1				
009	266424-2	TAPPING SCREW 4X20		2				
010	454635-3	LOWER HEAD COVER		1				
011	213343-3	O RING 35		1				
012	326347-7	BEARING BOX		1				
013	961003-8	RETAINING RING S-7		1				
014	211392-4	SPHERE BEARING 706		1				
015	253133-2	FLAT WASHER 7		1				
016	313245-4	BALANCER		1				
017	211092-6	BALL BEARING 629DDW		1				
018	285857-2	BEARING RETAINNER		1				
019	240140-4	FAN 46		1				
020	517683-4	ARMATURE ASSEMBLY 220-240V		1				
D10		INC. 19,21-26						
021	681636-0	INSULATION WASHER		1				
022	267426-1	FLAT WASHER 7		1				
023	210023-2	BALL BEARING 627DDW		1				
024	267756-0	WAVE WASHER 6		1				
025	688174-3	MAGNET SLEEVE		1				
026	259039-2	SELF LOCK 6		1				
027	453828-9	BAFFLE PLATE		1				
028	266415-3	TAPPING SCREW 4X55		2				
029	623558-8	FIELD 220-240V		1				
030	453823-9	MOTOR HOUSING		1				
031	453761-5	SWITCH KNOB		1				
032	453825-5	SWITCH LEVER		1				
033	234263-8	COMPRESSION SPRING 5		1				
034	651609-7	SWITCH SS106A-7-1		1				
035	643839-4	BRUSH HOLDER 6X9		2				
036	266492-5	TAPPING SCREW 3X8		2				
037	194722-3	CARBON BRUSH CB-459		1				
038	654532-5	TERMINAL BLOCK 1P		1				
039	687681-3	STRAIN RELIEF		1				
040	266326-2	TAPPING SCREW 4X18		1				
041	665399-6	POWER SUPPLY CORD 1.0-2-5.0		1				
042	682569-2	CORD GUARD 8-85		1				
043	814T82-4	TM3010C NAME PLATE		1				
044	620234-5	CONTROLLER		1				
045	453824-7	REAR COVER		1				
046	266424-2	TAPPING SCREW 4X20		1				

