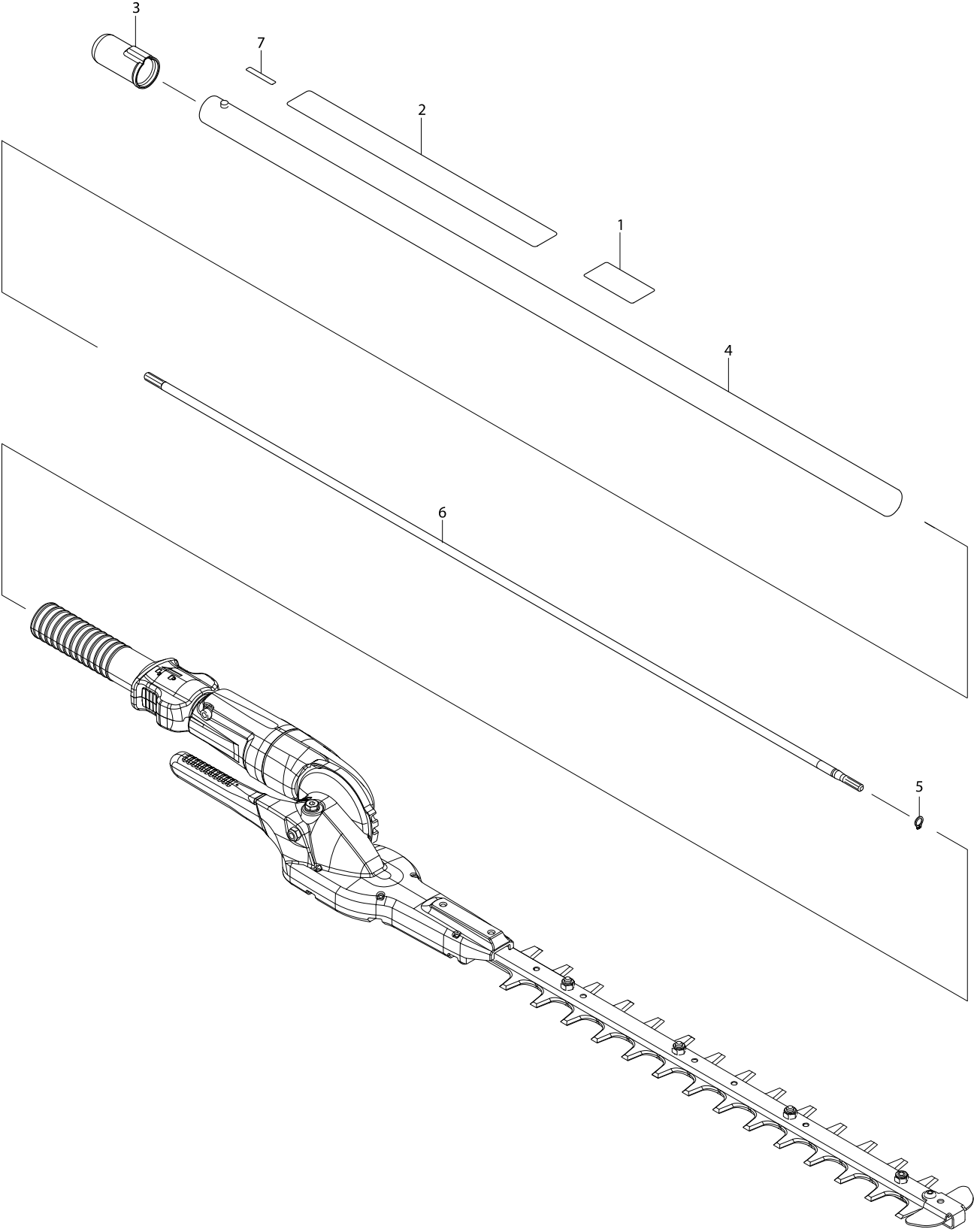
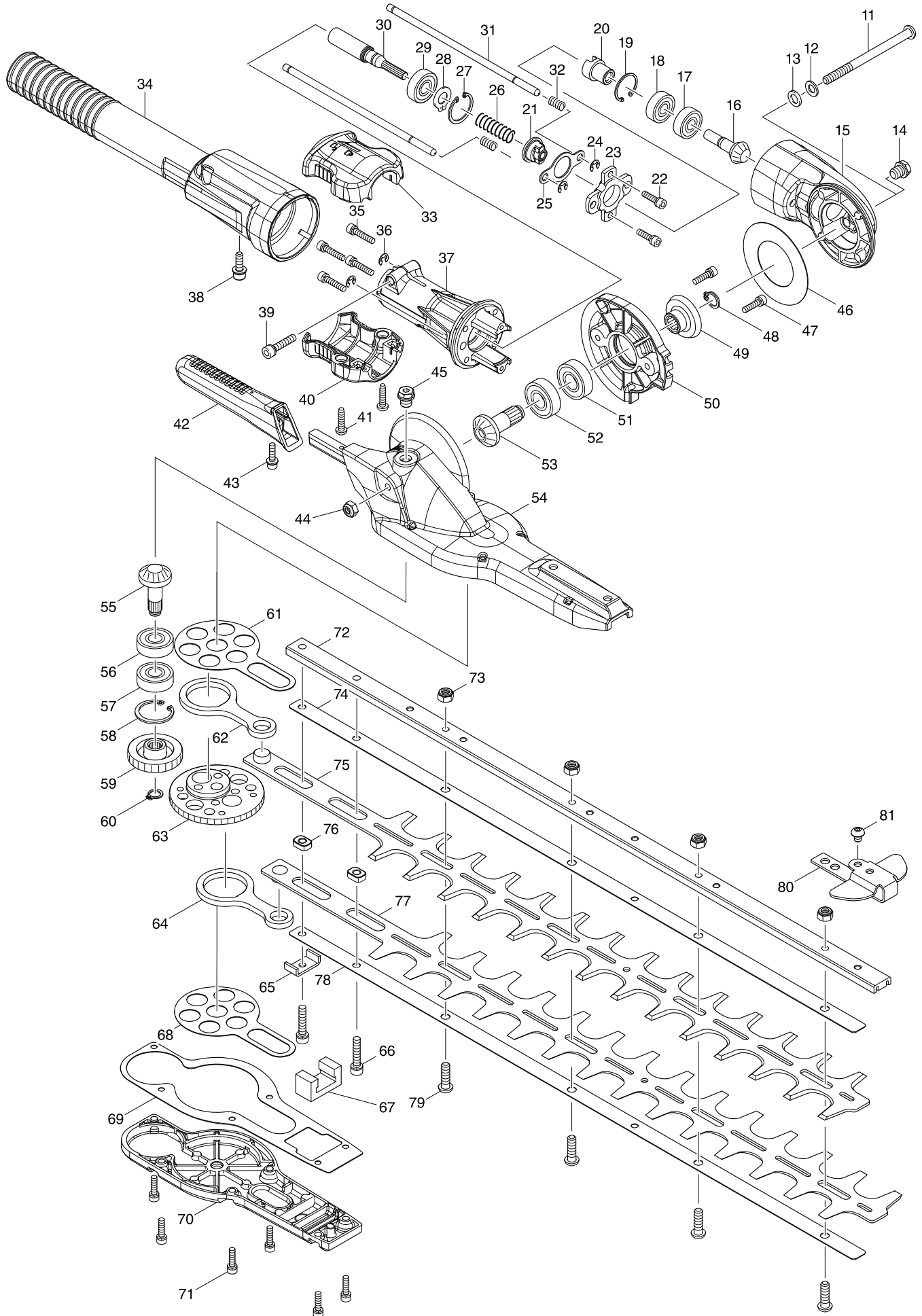


Mallinnumero EN401MP HEDGE TRIMMER ATTACHMENT



Mallinnumero EN401MP HEDGE TRIMMER ATTACHMENT



Mallinumero EN401MP HEDGE TRIMMER ATTACHMENT

Sivu 1 / 2

Nimike	Osanumero	Kuvaus	I/C nu	MÄÄRÄ	N/O	Opt. 1	Opt. 2	HUOMAUTUS
001	893670-0	MAKITA LOGO LABEL		1				
002	801B74-4	CAUTION LABEL		1	*			
002-1	810V48-4	CAUTION LABEL	X	1				
003	424434-7	CAP 24		1				
004	142028-3	PIPE COMPLETE		1	*			
C10	803X22-1	SOUND 102DB93DB LABEL		1	*			
D10		INC. 2			*			
004-1	144241-9	GRIP PIPE COMPLETE A	<	1				
D10		INC. 2						
005	961003-8	RETAINING RING S-7		1				
006	326088-5	SHAFT A		1				
007	814A82-0	DATE CODE LABEL		1				
011	266817-3	H.S. BUTTON HEAD BOLT M6X85		1				
012	232279-7	CONED DISC SPRING 6		1				
013	941151-9	FLAT WASHER 6		1				
014	266818-1	HEX. SOCKET HEX. BOLT M8X8		1				
015	318969-7	JOINT		1				
016	227604-5	SPIRAL BEVEL GEAR 9		1				
017	211032-4	BALL BEARING 608ZZ		1				
018	211032-4	BALL BEARING 608ZZ		1				
019	962102-9	RETAINING RING R-22		1				
020	310534-8	CAM A		1				
021	310535-6	CAM B		1				
022	922126-7	HEX. SOCKET HEAD BOLT M4X16		2				
023	313254-3	HOLDER PLATE		1				
024	961011-9	STOP RING E-4		2				
025	346657-6	SLIDE PLATE		1				
026	231297-2	COMPRESSION SPRING 9		1				
027	962103-7	RETAINING RING R-24		1				
028	961005-4	RETAINING RING S-9		1				
029	210049-4	BALL BEARING 609ZZ		1				
030	142000-5	SPINDLE COMPLETE		1				
031	326256-0	ROD 5		2	*			
031-1	326812-6	ROD 5	<	2				
032	233117-6	COMPRESSION SPRING 6		2				
033	187575-7	SLIDE LEVER SET		1				
D10		INC. 40						
034	454249-8	COVER		1				
035	265493-0	HEX. SOCKET HEAD BOLT M4X20		4				
036	961011-9	STOP RING E-4		2				
037	318970-2	PIPE HOLDER		1				
038	922223-9	H.S.H.BOLT M5X16 WITH WR		1				
039	922241-7	HEX. SOCKET HEAD BOLT M5X25		1				
040	187575-7	SLIDE LEVER SET		1				
D10		INC. 33						
041	265995-6	TAPPING SCREW 4X18		2				
042	454248-0	GRIP		1	*			
042-1	456369-4	GRIP	S	1				

Mallinumero EN401MP HEDGE TRIMMER ATTACHMENT

Sivu 2 / 2

Nimike	Osanumero	Kuvaus	I/C nu	MÄÄRÄ	N/O	Opt. 1	Opt. 2	HUOMAUTUS
043	922128-3	HEX. SOCKET HEAD BOLT M4X16		1	*			
043-1	911516-9	PAN HEAD SCREW M4X12	S	2				
044	252190-7	HEX.LOCK NUT M6-10		1				
045	266818-1	HEX. SOCKET HEX. BOLT M8X8		1				
046	267467-7	FLAT WASHER 36		1				
047	922126-7	HEX. SOCKET HEAD BOLT M4X16		2				
048	961006-2	RETAINING RING S-10		1				
049	227605-3	SPIRAL BEVEL GEAR 22		1				
050	310533-0	ANGULAR PLATE		1				
051	211148-5	BALL BEARING 6001ZZ		1				
052	211148-5	BALL BEARING 6001ZZ		1				
053	227606-1	SPIRAL BEVEL GEAR 11		1				
054	142018-6	GEAR HOUSING COMPLETE		1	*			
054-1	143500-8	GEAR HOUSING COMPLETE	S	1				
055	227607-9	SPIRAL BEVEL GEAR 12		1				
056	211062-5	BALL BEARING 6000ZZ		1				
057	211062-5	BALL BEARING 6000ZZ		1				
058	962105-3	RETAINING RING R-26		1				
059	227317-8	SPUR GEAR 24		1				
060	961004-6	RETAINING RING S-8		1				
061	346658-4	PLATE		1				
062	346251-4	CONNECTING ROD		1				
063	227248-1	SPUR GEAR 43		1				
064	346251-4	CONNECTING ROD		1				
065	346256-4	HOLDER		1				
066	922241-7	HEX. SOCKET HEAD BOLT M5X25		2				
067	443159-4	SEAL		1				
068	346658-4	PLATE		1				
069	423458-0	GASKET		1				
070	318968-9	UNDER COVER		1				
071	922126-7	HEX. SOCKET HEAD BOLT M4X16		6				
072	332058-4	GUIDE BAR		1				
073	264089-4	HEX. LOCK NUT M6-10		4				
074	346665-7	PLATE		1				
075	725187-4	SHEAR BLADE		1				
076	313211-1	SLEEVE 5		2				
077	725187-4	SHEAR BLADE		1				
078	346665-7	PLATE		1				
079	266824-6	H.S. BUTTON HEAD BOLT M6X20		4				
A01	452328-6	BLADE COVER		1				
A02	782223-9	SOCKET WRENCH		1				
E01	808723-2	CAUTION LABEL		1				