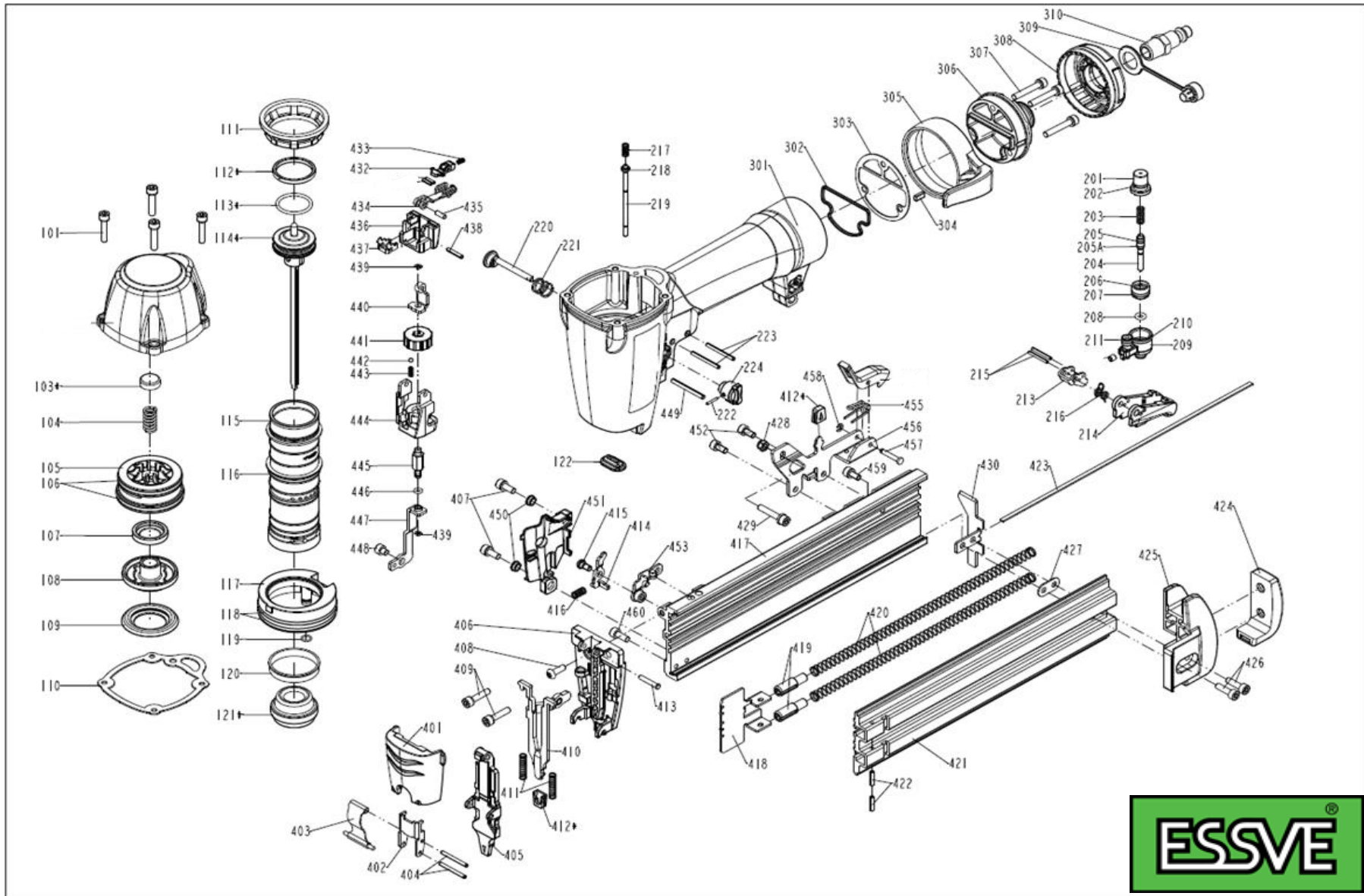


ESSVE BN 1,6/50



| Pos | Art. Nr. | Name | Pos | Art. Nr. | Name | Pos | Art. Nr. | Name |
|------|----------|------------------------|-----|----------|-------------------------|-----|----------|----------------------|
| 101 | 10002971 | BOLT ASSY | 414 | 10002934 | SAFETY STOPPER | 302 | 10002902 | GASKET |
| | | | 415 | 10002891 | SCREW | 303 | 10002949 | GASKET |
| 103 | 10002938 | SEAL | 416 | 10002912 | SPRING | 304 | 10002924 | RUBBER PAD |
| 104 | 10000915 | COMPRESSION SPRING | 417 | 10002950 | MAGAZINE A | 305 | 10002908 | BELT HOOK |
| 105 | 10002960 | COLLAR | 418 | 10002929 | PUSHER | 306 | 10002916 | END CAP |
| 106 | 10002990 | O - RING | 419 | 10002944 | SHAFT | 307 | 10002972 | BOLT ASSY |
| 107 | 10002892 | OIL SEAL | 420 | 10002931 | PUSHER SPRING | 308 | 10002956 | GUIDE PLATE |
| 108 | 10000931 | HD.VALVE PISTON | 421 | 10002954 | MAGAZINE B | 310 | 10002926 | AIR PLUG |
| 109 | 10002936 | SEAL | 422 | 10002978 | SPRING PIN | 401 | 10002958 | GUIDE COVER |
| 110 | 10002903 | PACKING | 423 | 10002943 | FLAT BAR | 402 | 10002927 | LOCK HANDLE |
| 111 | 10002961 | COLLAR | 424 | 10000968 | PROTECTING HOOD COVER | 403 | 10002875 | LATCH UNIT |
| 112 | 10002920 | PISTON RING | 425 | 10002951 | PROTECTING HOOD COVER A | 434 | 10002889 | SECONDARY TRIGGER |
| 113 | 10002993 | O - RING | 426 | 10001009 | HEX.SOC.HD.BOLT | 435 | 10002984 | PIN |
| 114 | 10002868 | DRIVER UNIT | 427 | 10002948 | GASKET | 436 | 10002894 | SAFETY SPRING BASE |
| 115 | 10002896 | CYLINDER | 428 | 10001055 | LOCK NUT | 437 | 10002906 | SAFETY DRIVER GUIDE |
| 116 | 10002994 | O - RING | 429 | 10002973 | BOLT W/FLAT WASHER | 438 | 10002979 | SPRING PIN |
| 117 | 10002897 | CYLINDER SPACER | 430 | 10002917 | REAR PLATE | 439 | 10001032 | E - RING |
| 118 | 10002991 | O - RING | | | | 440 | 10002904 | SAFETY |
| 119 | 10002995 | O - RING | 432 | 10002967 | STOPPER | 441 | 10000983 | ADJUST AXIE |
| 120 | 10000858 | CYLINDER RING | 433 | 10002890 | SPRING | 442 | 10001060 | STEEL BALL |
| 121 | 10002901 | BUMPER | 207 | 10002988 | O - RING | 443 | 10000852 | POSITIONING SPRING |
| 122 | 10002881 | JOINT GUIDE | 208 | 10002986 | O - RING | 444 | 10002907 | SAFETY GUIDE |
| 201 | 10002939 | TRIGGER VALVE HEAD | 209 | 10002940 | PLUNGER CAP | 445 | 10000982 | ADJUST ROD A |
| 202 | 10002987 | O - RING | 210 | 10002989 | O - RING | 446 | 10001358 | O - RING |
| 203 | 10002911 | SPRING | 211 | 10001063 | O - RING | 447 | 10002878 | SAFETY B UNIT |
| 204 | 10002942 | TRIGGER VALVE STEM B | | | | 448 | 10001001 | HEX.SOC.HD.BOLT |
| 205 | 10001061 | O - RING | 213 | 10002909 | STOPPER | 449 | 10001047 | SPRING PIN |
| 205A | 10001062 | O - RING | 214 | 10002888 | TRIGGER | 450 | 10002959 | LATCH SPRING BUSHING |
| 206 | 10002910 | VALVE PLUNGER | 215 | 10002977 | SPRING PIN | 451 | 10002945 | COVER-SAFETY |
| 404 | 10002982 | SPIRAL PINS | 216 | 10002887 | SPRING | 452 | 10001006 | HEX.SOC.HD.BOLT |
| 405 | 10002921 | DRIVER GUIDE COVER | 217 | 10002947 | SPRING | 453 | 10002872 | POSITIONING SHEET |
| 406 | 10002883 | DRIVER GUIDE | 218 | 10002992 | O - RING | | | |
| 407 | 10002969 | BOLT ASSY | 219 | 10002941 | TRIGGER VALVE STEM | 455 | 10002886 | SPRING |
| 408 | 10001018 | HALF ROUND HD.HEX.BOLT | 220 | 10002871 | LOCATING WHEEL UNIT | 456 | 10002899 | POSITIONING SHEET |
| 409 | 10002970 | BOLT ASSY | 221 | 10002919 | SPRING | 457 | 10002915 | LATCH PIN |
| 410 | 10002876 | SAFETY A UNIT | 222 | 10002976 | SPRING PIN | 458 | 10001352 | E - RING |
| 411 | 10002946 | SPRING | 223 | 10002981 | SPRING PIN | 459 | 10001176 | BOLT ASSY |
| 413 | 10002900 | FIXED PIN | 224 | 10002925 | HINGE POINT | 460 | 10001006 | HEX.SOC.HD.BOLT |
| | | | | | | 412 | 10003369 | No mark set(3x412) |