



- EN
- FR
- DE
- ES
- IT
- NL
- PT
- DA
- SV
- FI
- NO
- RU
- PL
- CS
- HU
- RO
- LV
- LT
- ET
- HR
- SL
- BG
- UK
- TR

RY100PWA
RY110PWA





- Important!** It is essential that you read the instructions in this manual before assembling, maintaining and operating the product.
- Attention!** Il est essentiel que vous lisiez les instructions contenues dans ce manuel avant d'assembler, d'entretenir et d'utiliser le produit.
- Achtung!** Es ist wichtig, dass Sie vor Zusammenbau, Wartung und Benutzung des Produktes die Anweisungen in dieser Anleitung lesen.
- ¡Atención!** Resulta fundamental que lea este manual de instrucciones antes de realizar el montaje, el mantenimiento y de utilizar este producto
- Attenzione!** È importante leggere le istruzioni contenute nel presente manuale prima di montare il prodotto, svolgere le operazioni di manutenzione sullo stesso e metterlo in funzione.
- Let op!** Het is van essentieel belang dat u de instructies in deze gebruiksaanwijzing leest voor u het product monteert, onderhoudt en gebruikt.
- Atenção!** É fundamental que leia as instruções deste manual antes da montagem, manutenção e operação do aparelho.
- OBS!** Det er vigtigt, at man læser instrukserne i denne brugsanvisning, inden man samler, vedligeholder og betjener produktet.
- Observera!** Det är viktigt att du läser instruktionerna i manualen före montering, användning och underhåll av produkten.
- Huomio!** On tärkeää, että luet tämän käsikirjan ohjeet ennen tuotteen kokoamista, huoltoa ja käyttöä.
- Advarsel!** Det er viktig at du leser instruksjonene i denne manualen før sammensetning, vedlikehold og bruk av produktet
- Внимание!** Необходимо прочитать инструкции в данном руководстве перед сборкой, обслуживанием и эксплуатацией этого изделия.
- Uwaga!** Koniecznie należy przeczytać instrukcje zawarte w tym podręczniku przed montażem, obsługą oraz konserwacją produktu.
- Důležité upozornění!** Neinstalujte, neprovádějte údržbu ani nepoužívejte tento výrobek dříve, než si přečtete pokyny uvedené v tomto návodu.
- Figyelem!** Fontos, hogy a termék összeszerelése, karbantartása és használatá elött elolvassa a kézikönyvben található utasításokat.
- Atenție!** Este esențial să citiți instrucțiunile din acest manual înainte de asamblare, efectuarea întreținerii și operarea produsului.
- Uzmanību!** Ir svarīgi izlasīt šīs rokasgrāmatas instrukcijas pirms uzstādīšanas, apkopes un precas darbināšanas.
- Děmesio!** Prieš surenkant, prižiūrint ir naudojant gaminį, būtina perskaityti šiam vadove pateiktus nurodymus.
- Tähtis!** Enne masina kokkupanekut, hooldamist ja kasutama hakkamist tuleb käesolevas juhendis esitatud juhised kindlasti läbi lugeda.
- Upozoreње!** Vrlo je važno da ste prije sklapanja, održavanja i rada s ovim proizvodom pročitali upute u ovom priručniku.
- Pomembno!** Pomembno je da pred montažo vzdrževanjem in uporabo tega izdelka preberete navodila v tem priročniku.
- Upozornenie!** Je dôležité, aby ste si pred montážou, údržbou a obsluhou produktu prečítali pokyny v tomto návode.
- Важно!** Исключительно важно е да прочетете инструкциите в настоящото ръководство, преди да преминете към сглобяване, поддръжка или работа с продукта.
- Важливо!** Дуже важливо, щоб ви прочитали інструкції в цьому керівництві перед складанням, обслуговуванням та експлуатацією цієї машини.
- Önemli!** Ürünü monte etmeden, kullanmadan ve bakımını yapmadan önce bu kılavuzdaki talimatları okumanız önemlidir.

Subject to technical modification | Sous réserve de modifications techniques | Technische Änderungen vorbehalten | Bajo reserva de modificaciones técnicas | Con riserva di eventuali modifiche tecniche | Technische wijzigingen voorbehouden | Com reserva de modificações técnicas | Med forbehold for tekniske ændringer | Med förbehåll för tekniska ändringar | Tekniset muutokset varataan | Med forbehold om tekniske endringer | могут быть внесены технические изменения | Z zastrzeżeniem modyfikacji technicznych | Změny technických údajů vyhrazeny | A műszaki módosítás jogát fenntartjuk | Sub rezerva modificațiilor tehnice | Paturam tiesības mainīt tehniskos raksturlielumus | Pasliiekant teisę daryti techninius pakeitimus | Tehnised muudatused võimalikud | Podloženo tehničkim promjenama | Tehnične spremembe dopuščene | Právo na technické zmeny je vyhradené | Подлежи на технически модификации | Є об'єктом для технічних змін | Teknik değişikliğe tabidir.



Safety, performance, and dependability have been given top priority in the design of your electric high pressure cleaner.

INTENDED USE

The electric high pressure cleaner is intended only for outdoor use. For safety reasons, the product must be adequately controlled by a two-handed operation.

The product is designed for home or domestic use. It is intended to clean machines, vehicles, buildings, floors, tools, facades, terraces, floors, and concrete walkways by removal of stubborn dirt using clean water with or without cleaning detergent.

The product should be used in well-illuminated conditions.

Do not use the product for any other purpose.

⚠ WARNING! The product is designed for use with a neutral cleaning agent supplied or recommended by the manufacturer. The use of other cleaning agents or chemicals may adversely affect the safety of the product.

GENERAL SAFETY WARNINGS

⚠ WARNING! Read all safety warnings and all instructions. Failure to follow the warnings and instructions may result in electric shock, fire, and/or serious injury.

- The product is not intended for use by children or persons with reduced physical, sensory, or mental capabilities, or lack of experience and knowledge. Children should be adequately supervised to ensure they do not play with the product.
- Wear complete personal protective equipment when operating the product, such as boots, safety gloves, safety helmets with visor, and hearing protection. Use high-impact visors only with liquid splash protection.

⚠ WARNING! Do not use the product when people are within range, unless they wear protective clothing.

- To reduce the risk of injury, keep children and visitors away. All visitors should wear

safety glasses and be kept at a safe distance from the work area.

- Ensure that the safety devices are in good working condition. Make sure that all safety devices are operating properly before each use.
- Do not use the product if the power cord or other important parts, such as safety devices, high-pressure hoses, or trigger gun, are damaged.
- Exercise caution when opening the trigger. Hold the trigger handle firmly with two hands to avoid injury when the trigger handle kicks back.

⚠ WARNING! During use of high pressure cleaners, aerosols may be formed. Inhalation of aerosols can be hazardous to health. Depending on the application, shielded nozzles can be used for high pressure cleaning, which will reduce the emission of hydrous aerosols. However, not all applications allow the use of such a device. If shielded nozzles are not applicable for the protection against aerosols, a respiratory mask of class FFP 2 or equivalent may be needed, depending on the cleaning environment.

- Always stop the product when you leave it unattended.
- High pressure jet is dangerous if misused. Do not direct the jet to people, live electrical equipment, or the product itself.
- To avoid a risk of explosion, do not spray flammable liquids.
- Do not direct the jet against yourself or others to clean clothes or footwear.
- Do not use the product to clean electronic devices, clothes, or footwear.
- High pressure hoses, fittings, and couplings are important for the safety of the product. Use only hoses, fittings, and couplings that are recommended by the manufacturer.
- Injuries may be caused, or aggravated, by prolonged use of a tool. When using any tool for prolonged periods, ensure you take regular breaks.

⚠ CAUTION The product must not be used on a drinking water supply without a backflow preventer that corresponds to EN 12729 Type BA. Water that has flowed through a backflow preventer is considered non-drinkable. Always observe the regulations of your local water utility company when connecting the product to a water supply line.

ELECTRICAL SAFETY WARNINGS

- The plug must match the outlet. Never modify the plug in any way. Unmodified plugs and matching outlets reduce the risk of electric shock.
- Do not use the product if the power cord or other important parts, such as safety devices, are damaged.
- Check the power cord and the extension cord for damage before each use. If the power cord or the extension cord is damaged, it must be replaced by the manufacturer, its service agent, or similarly qualified persons in order to avoid a hazard.
- Before every use, examine the supply cord for damage. If there are signs of damage, it must be replaced by a qualified person at an authorised service centre to avoid a hazard.
- Keep the power cord away from heat, oil, and sharp edges.
- Never touch the mains plug and the socket with wet hands.
- Inadequate extension cords can be dangerous. If an extension cord is used, it shall be suitable for outdoor use, and the connection has to be kept dry and off the ground. Use a cord wheel to keep the socket at least 60 mm above the ground.
- The electric supply connection shall be made by a qualified electrician and comply with IEC 60364-1. It is recommended that the electric supply to this product should include either a residual current device that will interrupt the supply if the leakage current to earth exceeds 30 mA for 30 ms or a device that will prove the earth circuit.

ADDITIONAL SAFETY WARNINGS

- Some regions have regulations that restrict the use of the product in some operations. Check with your local authority for advice.
- Before each use, check the product for damage. A damaged high-pressure hose must be replaced. Ensure that all connections, such as high-pressure hose and nozzle, are secure. Unwind the hose properly so they may not get twisted or kinked.
- Do not allow children or untrained individuals to use the product.
- Before starting any cleaning operation, close doors and windows. Clear the area to be cleaned of debris, toys, outdoor furniture, or other objects that could create a hazard.
- Never pick up or carry the product while the motor is running.
- Do not use the product in temperatures below 0°C.
- Do not use acids, alkalines, solvents, flammable material, bleaches, or industrial grade solutions in the product. These products can cause physical injuries to the operator and irreversible damage to the product.
- Always operate the product on a level surface.
- ⚠ **WARNING!** High pressure jet can be dangerous if subjected to misuse. The jet must not be directed to people, animals, electrical devices, or the product itself.
- Hold the trigger handle securely with both hands. Expect the trigger handle to move when the trigger is pulled due to reaction forces. Failure to do so could cause loss of control and injury to yourself and others.
- Make sure that the air in the hose and pump is released before you turn on the product. To remove the air in the hose and pump, connect the water supply to the pump using a garden hose, connect the trigger handle to the pump using the high-pressure hose, disengage the trigger handle lock, and press the trigger until there is a steady flow.

- Exercise caution to avoid slipping or falling.
- Keep firm footing and balance. Do not overreach. Overreaching can result in loss of balance.
- Use only accessories that are recommended by the manufacturer. The use of improper accessories may cause injury.
- Never leave the product running unattended. Turn off the product. Do not leave the product if it has not come to a complete stop.
- Be familiar with the controls. Know how to stop the product and bleed the pressure quickly.
- Stay alert and exercise control. Watch what you are doing and use common sense.
- Do not use the product while tired, ill, or under the influence of drugs, alcohol, or medication. A moment of inattention while operating the product may result in serious personal injury.
- Do not use the product if the switch does not turn it on and off. Any product that cannot be controlled with a switch is dangerous and must be repaired.
- Keep a minimum distance of 30 cm when cleaning vehicles. The high pressure jet may damage or burst vehicle tires and/or tire valves.
- Use a garden hose with a maximum length of 15 m and minimum diameter of 18 mm (3/4 in).
- Before each use, ensure that the accessory is securely attached to the trigger gun.
- Stop the product, disconnect from the power supply, and allow the product to cool down. Disconnect the product from the water supply before storing or transporting. Never place the product in any position other than upright.
- Clean all foreign materials from the product. Store it in a cool, dry, and well-ventilated place that is inaccessible to children. Keep the product away from corrosive agents such as garden chemicals and de-icing salts. Do not store the product outdoors.
- Remove water from all hoses and the pump, and empty the detergent tank before storing the product.
- For transportation in a vehicle, secure the product against movement or falling to prevent injury to persons or damage to the product.
- Store the product indoors only. Storing the product in an area with temperature below 0°C will damage the product.

MAINTENANCE

- Use only original manufacturer's replacement parts, accessories, and attachments. Failure to do so can cause possible injury, can contribute to poor performance, and may void your warranty.
- Servicing requires extreme care and knowledge and should be performed only by a qualified service technician. Have the product serviced by an authorised service centre only.
- Turn off the product, and disconnect the plug from the power outlet. Disconnect the product from the water supply. Allow the product to cool down:
 - before servicing
 - before clearing a blockage
 - before checking, cleaning, or working on the product
- You may make adjustments or repairs described in this manual. For other repairs, contact an authorised service centre.

OVERLOAD PROTECTION

The product has an overload protection device that is activated when overheating or when a current spike occurs, automatically shutting down the power within the product. To resume operation, disconnect the product from the power supply, wait for about 15 minutes, and reconnect the product to the power supply.

TRANSPORTATION AND STORAGE

⚠ CAUTION! Mind the weight of the product when selecting the storage location and during transportation to prevent accidents or injuries.

- Regularly inspect and maintain the high pressure cleaner for safe operation. RYOBI recommends inspecting the product every 6 months.
- Check all nuts, bolts, and screws at frequent intervals for proper tightness to ensure that the product is in safe working condition. Any part that is damaged should be properly repaired or replaced by an authorised service centre.

KNOW YOUR PRODUCT

See page 145.

1. Carry handle
2. Power cord holder
3. On/off switch
4. Operator's manual
5. Handle screws
6. Water inlet filter
7. Water inlet port
8. Power cord
9. Hose release button
10. Water outlet port
11. Trigger gun holder
12. Extension lance
13. Trigger handle lock
14. Trigger
15. Hose lock button
16. High pressure hose
17. Vario lance
18. Garden hose
19. RYOBI detergent
20. Garden hose connector
21. Turbo lance
22. Detergent bottle

NOTE: If using a detergent, refer to the Material Safety Data Sheet of the detergent.

SAFETY DEVICES

- On/Off switch
 - The on/off switch prevents unintentional operation of the product.
- Trigger handle lock
 - The trigger handle lock locks the trigger and prevents unintentional opening of the high-pressure jet.

- Overflow valve with pressure switch
 - The overflow valve prevents the permissible working pressure from being exceeded. If the lever on the trigger gun is released, the pressure switch turns off the pump and the high-pressure jet stops. If the lever is pulled, the pump turns on again.
- Overload protection
 - A thermal sensor protects the product from overloading. The product will automatically shut the power down while overheating.

SYMBOLS ON THE PRODUCT



Read and understand all instructions before operating the product. Follow all warnings and safety instructions.



Class II tool, double insulation



Wear eye and hearing protection.



Power



The product is not suitable for connection to the drinking water mains without backflow preventer.



Never point the spray wand to people, animals, the body of the product, power supply, or any electric appliances.



Rated pressure



Turn the bottom portion of the nozzle all the way to the right to activate low pressure mode for foaming/detergent.



European Conformity Mark



British Conformity Mark



EurAsian Conformity Mark



Ukraine Conformity Mark



Guaranteed sound power level



Waste electrical products should not be disposed of with household waste. Recycle where facilities exist. Check with your local authority or retailer for recycling advice.

SYMBOLS IN THIS MANUAL



Wear non-slip, heavy-duty, protective gloves when handling.



Parts or accessories sold separately



Connect to power outlet.



Disconnect from power outlet.



Note



Warning

TROUBLESHOOTING

Problem	Possible causes	Solution
Fluctuating pressure	Pump sucking air	Check that hoses and connections are air tight.
	Dirty, worn-out, or stuck valves	Bring the product to an authorised service centre for service or repair.
	Worn-out pump seals	Bring the product to an authorised service centre for service or repair.
Product stops	Thermal sensor activated	Leave the cleaner for 15 minutes to cool down.
	Partially blocked nozzle	Clean the nozzle.
Product pulsating	Air in inlet hose/pump	Allow the product to run with open trigger until regular working pressure resumes.
	Inadequate supply of mains water	Check that the water supply corresponds to the specifications required (see model tag). Avoid using long, thin hoses.
	Partially blocked nozzle	Clean the nozzle.
	Blocked water filter	Clean the filter.
	Kinked hose	Straighten out hose.
Product starts, but no water comes out	Frozen pump/hoses or accessory	Wait for pump/hoses or accessory to thaw.
	No water supply	Connect the water inlet port to a water supply.
	Blocked water filter	Clean the filter.
	Blocked nozzle	Clean the nozzle.

Votre nettoyeur haute pression électrique a été conçu en donnant priorité à la sécurité, à la performance et à la fiabilité.

UTILISATION PRÉVUE

Le nettoyeur haute pression électrique est destiné à une utilisation en extérieur. Pour des raisons de sécurité, l'appareil doit être manipulé de manière appropriée, en utilisant les deux mains.

Ce produit est destiné à un usage domestique ou privé. Il est conçu pour nettoyer les machines, les véhicules, les bâtiments, les sols, les outils, les façades, les terrasses, les sols et les allées en béton en éliminant la saleté tenace avec de l'eau propre, avec et sans produit nettoyant.

Ce produit doit être utilisé dans un environnement bien éclairé.

Utilisez ce produit pour aucun autre travail.

⚠ AVERTISSEMENT! Ce produit est conçu pour une utilisation avec un agent nettoyant neutre fourni ou recommandé par le fabricant. L'utilisation d'autres produits nettoyants ou chimiques peut affecter la sécurité du produit.

AVERTISSEMENTS GÉNÉRAUX DE SÉCURITÉ

⚠ AVERTISSEMENT! Lisez tous les avertissements et indications. Le non-respect des avertissements et instructions peut entraîner un décharge électrique, un incendie et/ou de graves blessures.

- Le produit n'est pas conçu pour une utilisation par des enfants ou des personnes avec une capacité physique, sensorielle ou mentale réduite, un manque d'expérience ou de connaissances. Les enfants doivent être bien surveillés afin de s'assurer qu'ils ne jouent pas avec le produit
- Portez un équipement de protection complet lors de l'exploitation du produit, comme des lunettes de sécurité et une protection auditive. Utilisez des visières à fort impact avec une protection contre la projection de liquide.

⚠ AVERTISSEMENT! Ne pas utiliser le produit lorsque des personnes se trouvent à proximité, à moins qu'elles ne portent des vêtements de protection.

- Pour réduire les risques de blessures, tenir les enfants et les visiteurs éloignés. Tout visiteur doit porter des lunettes de

protection et rester à bonne distance de la zone de travail.

- S'assurer que les dispositifs de sécurité sont en bon état de fonctionnement. Assurez-vous que tous les appareils de sécurité fonctionnent correctement avant chaque utilisation.
- Ne pas utiliser le produit si des pièces importantes sont endommagées, comme des appareils de sécurité, des tuyaux à haute pression ou des pistolets déclencheurs.
- Être prudent lors de l'ouverture du déclencheur. Maintenir la poignée du déclencheur fermement à deux mains pour éviter les blessures lorsqu'elle recule.

⚠ AVERTISSEMENT! Pendant l'utilisation de nettoyeurs haute pression, des aérosols peuvent se former. Inhaler les aérosols peut être dangereux pour la santé. En fonction de l'application, des embouts blindés peuvent être utilisés pour le nettoyage à haute pression. Cela réduit l'émission d'aérosols hydriques. Cependant, toutes les applications ne permettent pas l'utilisation d'un tel appareil. Si les embouts blindés ne permettent pas de protéger contre les aérosols, un masque respiratoire de classe FFP 2 ou équivalent peut être nécessaire en fonction de l'environnement de nettoyage.

- Toujours arrêter le produit lorsque vous le laissez sans surveillance.
- Le jet à haute pression est dangereux s'il est mal utilisé. Ne dirigez pas le jet vers les personnes, les équipements électriques sous tension ou le produit lui-même.
- Pour éviter un risque d'explosion, ne vaporisez pas des liquides inflammables.
- Ne dirigez pas le jet vers vous-même ou en direction des autres pour nettoyer des vêtements ou des chaussures.
- Ne pas utiliser le produit pour nettoyer des appareils électroniques, des vêtements ou des chaussures.
- Les tuyaux, les fixations et couplages à haute pression sont importants pour la sécurité du produit. Utilisez uniquement des tuyaux, des fixations et des couplages recommandés par le fabricant.
- L'utilisation prolongée d'un outil est susceptible de provoquer ou d'aggraver des blessures. Assurez-vous de faire des pauses de façon régulière lorsque vous utilisez tout outil de façon prolongée.

⚠ ATTENTION Le produit ne doit pas être utilisé sur l'alimentation en eau potable sans une valve anti-retour conforme à la norme EN 12729 type BA. Le flux d'eau traversant une valve anti-retour est considéré comme non potable. Toujours respecter les dispositions de l'entreprise d'approvisionnement en eau lors de la connexion du produit à une conduite d'alimentation en eau.

AVERTISSEMENTS SUR LA SÉCURITÉ ÉLECTRIQUE

- Les fiches secteur doivent correspondre à la prise de courant. Ne modifiez en aucun cas la fiche. L'utilisation de fiches secteur non modifiées et adaptées à la prise de courant réduit le risque de décharge électrique.
- Ne pas utiliser le produit si le cordon d'alimentation ou d'autres pièces importantes sont endommagées comme des appareils de sécurité.
- Vérifier le bon état du cordon d'alimentation et du câble avant chaque utilisation. Si le cordon d'alimentation ou la rallonge est endommagée, elle doit être remplacée par le fabricant, son agent de maintenance ou des personnes de même qualification afin d'éviter les risques.
- Avant chaque utilisation, vérifiez que le câble d'alimentation n'est pas endommagé. En cas de signe de dommages, faites procéder à son remplacement par une personne qualifiée ou par un service après-vente agréé afin d'éviter tout danger.
- Gardez le câble d'alimentation éloigné de la chaleur, des graisses et des bords coupants.
- Ne jamais toucher la fiche et la prise avec les mains mouillées.
- Des rallonges non adaptées peuvent être dangereuses. Si une rallonge est utilisée, elle doit être adaptée à une utilisation en extérieur et la connexion doit être gardée sèche et éloignée du sol. Utiliser une bobine pour garder la fiche au moins 60 mm au-dessus du sol.
- Le raccord d'alimentation électrique doit être effectué par un électricien qualifié et doit respecter la norme CEI 60364-1. Il est recommandé que l'alimentation électrique du produit comporte soit un disjoncteur différentiel qui interrompt l'alimentation si le courant de fuite vers la terre dépasse 30 mA pendant 30 ms, soit un dispositif qui vérifie le circuit à la terre.

INSTRUCTIONS DE SÉCURITÉ ADDITIONNELLES

- La législation de certaines régions restreint l'utilisation du produit. Contactez les autorités locales pour obtenir des conseils.
 - Avant chaque utilisation, inspectez le produit pour repérer d'éventuels dégâts. Un tuyau à haute pression endommagé doit être remplacé immédiatement. S'assurer que toutes les connexions telles que les tuyaux et buses à haute pression sont sécurisées. Déroulez correctement le tuyau de sorte à ce qu'il ne soit pas tordu ou plié.
 - Ne laissez pas des enfants ou des personnes inexpérimentées utiliser ce produit.
 - Avant de commencer le nettoyage, fermez les portes et les fenêtres. Enlevez de la zone à nettoyer la zone de tout débris, jouet, meuble d'extérieur ou autre objet pouvant représenter un risque.
 - Ne transportez ni ne soulevez jamais le produit lorsque son moteur tourne.
 - N'utilisez pas le produit à des températures inférieures à 0 °C
 - N'utiliser pas des acides, des alcalins, des solvants, des matières inflammables, des produits de blanchiment ou des solutions industrielles dans les produits. Ces produits peuvent causer des blessures physiques à l'opérateur et des dommages irréversibles au produit.
 - Toujours utiliser le produit sur une surface plane.
- ⚠ AVERTISSEMENT!** Le jet à haute pression peut être dangereux s'il est mal utilisé. Le jet ne doit pas être dirigé vers les personnes, les animaux, les appareils électriques ou le produit lui-même.
- Maintenir le levier déclencheur fermement avec les deux mains. S'attendre à ce que la manette de déclenchement bouge lorsque l'on tire dessus en raison des forces de réaction. Le non-respect de cette consigne peut entraîner une perte de contrôle et une blessure pour vous-même et les autres.
 - S'assurer que l'air dans le tuyau et la pompe est relâché avant d'allumer le produit. Pour retirer l'air dans le tuyau et dans la pompe, branchez l'arrivée d'eau à la pompe avec un tuyau de jardin, connectez la poignée du déclencheur à la pompe en utilisant le

flexible à haute pression, libérez le système de blocage de la poignée du déclencheur et appuyez sur le déclencheur jusqu'à obtenir un débit constant.

- Soyez prudent pour éviter de glisser ou de tomber.
- Gardez un bon appui et un bon équilibre. Ne pas se précipiter. Ne travaillez pas en extension, vous pourriez perdre l'équilibre.
- N'utilisez que les accessoires recommandés par le fabricant. L'utilisation d'accessoires inadaptés peut entraîner des risques de blessures corporelles graves.
- Ne jamais laisser le produit sans surveillance. Arrêtez le produit. Ne pas laisser le produit avant qu'il ne s'arrête complètement.
- Familiarisez-vous avec les commandes. Sachez comment arrêter le produit et laisser rapidement la pression s'échapper.
- Soyez toujours vigilant et restez maître de votre outil. Regardez bien ce que vous faites et faites preuve de bon sens.
- Ne pas utiliser l'outil si vous êtes fatigué(e) ou si vous avez consommé des drogues, de l'alcool ou des médicaments. Un moment d'inattention lors de l'utilisation du produit peut provoquer de graves blessures.
- N'utilisez pas le produit si son interrupteur marche/arrêt est inopérant. Tout appareil qui ne peut pas être contrôlé par son interrupteur est dangereux et doit être réparé.
- Conserver une distance minimum de 30 cm lors du nettoyage des véhicules. Le jet à haute pression peut endommager ou faire éclater les pneus et/ou les valves des pneus.
- Utilisez un tuyau de jardin ayant une longueur maximale de 15 m et un diamètre minimal de 18 mm (3/4").
- Avant chaque utilisation, s'assurer que l'accessoire est bien fixé au déclencheur.

PROTECTION CONTRE LES SURCHARGES

Cet appareil est équipé d'un dispositif de protection contre les surcharges qui se déclenche en cas de surchauffe ou de choc, et qui coupe dans ce cas automatiquement l'alimentation de l'appareil. Pour reprendre le travail, débranchez l'appareil de sa source d'alimentation, attendez environ 15 minutes, et rebranchez l'appareil.

TRANSPORT ET STOCKAGE

⚠ ATTENTION! Tenir compte du poids du produit lors de la sélection du lieu de stockage et pendant le stockage afin d'éviter les accidents ou les blessures.

- Arrêter le produit, débranchez-le de la prise secteur et permettre au produit de refroidir. Déconnectez le produit de l'alimentation en eau avant le stockage ou le transport. Ne jamais placer le produit dans une position autre que debout.
- Débarrassez l'appareil de tous les corps étrangers. Rangez le produit dans un endroit frais, sec et correctement ventilé, hors de portée des enfants. Tenez le produit à l'écart des agents corrosifs tels que les produits chimiques pour le jardin et les sels de dégivrage. Ne rangez pas ranger le produit à l'extérieur.
- Retirez l'eau de tous les tuyaux et de la pompe, videz le réservoir du détergent avant de stocker le produit.
- Pour le transport dans un véhicule, attachez le produit pour l'empêcher de bouger ou de tomber, afin d'éviter toute blessure et tout dommage matériel.
- Ranger le produit uniquement en intérieur. Stocker le produit dans une zone avec une température inférieure à 0 °C endommagerait le produit.

ENTRETIEN

- N'utilisez que des pièces détachées et des accessoires d'origine constructeur. Le non respect de cette précaution peut entraîner de mauvaises performances, des blessures, et annuler votre garantie.
- Les réparations demandent un soin et des connaissances extrêmes et ne doivent être effectuées que par un technicien de service qualifié. Confiez l'entretien du produit à un centre de service agréé.
- Éteignez le produit et débranchez la prise de l'alimentation. Débranchez le produit de l'alimentation en eau. Laissez le produit refroidir :
 - avant entretien
 - avant de retirer une obstruction
 - avant de travailler sur le produit, de le vérifier ou de le nettoyer
- Vous n'êtes autorisé à effectuer que les réglages et réparations décrits dans ce

manuel. Pour d'autres réparations ou conseils, faites vous assister par un service après-vente agréé.

- Inspecter régulièrement et entretenir le nettoyeur haute pression pour un fonctionnement sûr. RYOBI recommande d'inspecter le produit tous les 6 mois.
- Vérifiez régulièrement le bon serrage des écrous, vis et boulons pour vous assurer que le produit soit toujours en bon état de fonctionnement. Toute pièce endommagée doit être correctement remplacée ou réparée par un centre de service agréé.

APPRENEZ À CONNAÎTRE VOTRE PRODUIT

Voir page 145.

1. Poignée de transport
2. Support du cordon d'alimentation
3. Interrupteur Marche/Arrêt
4. Manuel d'utilisation
5. Vis de la poignée
6. Filtre d'arrivée d'eau
7. Port d'arrivée d'eau
8. Câble d'alimentation
9. Bouton de déverrouillage du tuyau
10. Port de sortie d'eau
11. Support du pistolet déclencheur
12. Lance Extension
13. Verrou de la poignée du déclencheur
14. Gâchette
15. Bouton de verrouillage du tuyau
16. Tuyau à haute pression
17. Lance Vario
18. Tuyau d'arrosage
19. Détergent RYOBI
20. Connecteur du tuyau d'arrosage
21. Lance Turbo
22. Bouteille de détergent

REMARQUE: En cas d'utilisation de détergent, consulter la fiche technique de celui-ci.

ÉLÉMENTS DE SÉCURITÉ

- Interrupteur Marche/Arrêt
 - L'interrupteur marche/arrêt empêche toute mise en route non intentionnelle du produit.
- Verrou de la poignée du déclencheur
 - Le verrou de la poignée du déclencheur bloque le déclencheur et évite toute ouverture accidentelle du jet sous haute pression.

- Vanne de décharge avec interrupteur de pression
 - La vanne de décharge évite de dépasser la pression de travail admissible. Si la poignée du pistolet déclencheur est relâchée, l'interrupteur de pression éteint la pompe et le jet à haute pression s'arrête. Si on tire sur le levier, la pompe redémarre.
- Protection contre les Surcharges
 - Un capteur thermique protège le produit contre les surcharges. En cas de surchauffe, le produit se met automatiquement hors tension.

SYMBOLES APPLIQUÉS SUR LE PRODUIT



Lisez et comprenez toutes les instructions avant d'utiliser le produit. Respectez l'ensemble des avertissements et consignes de sécurité.



Outil de Classe II, isolation double



Portez une protection oculaire et auditive.



Sous tension



Le produit n'est pas adapté pour être raccordé au réseau d'eau potable sans dispositif anti-reflux.



Ne pointez jamais la lance de pulvérisation vers des personnes, des animaux, le corps de la machine, l'alimentation électrique ou tout autre appareil électrique.



Pression nominale



Tourner la partie inférieure de l'embout au maximum vers la droite pour activer le mode basse pression pour la mousse/le détergent.



Marque de conformité européenne



Marque de conformité
britannique



Marque de conformité
d'Eurasie



Marque de conformité
ukrainienne



Niveau de puissance sonore
garanti



Les produits électriques
hors d'usage ne doivent pas
être jetés avec les ordures
ménagères. Recyclez-les par
l'intermédiaire des structures
disponibles. Contactez les
autorités locales ou votre
distributeur pour vous
renseigner sur les conditions
de recyclage.

SYMBOLES DE CE MANUEL



Portez des gants de protection
solides et antidérapants.



Pièces détachées et
accessoires vendus séparément



Branchez sur le secteur.



Débranchez du secteur.



Remarque



Avertissement

GUIDE DE DÉPANNAGE

Problème	Cause possible	Solution
Pression fluctuante	La pompe aspire de l'air	Vérifier que les tuyaux et raccords sont hermétiques.
	Vannes sales, usées ou obstruées	Pour l'entretien et les réparations, apportez le produit à un service après-vente agréé.
	Joints de pompe usés	Pour l'entretien et les réparations, apportez le produit à un service après-vente agréé.
La machine s'arrête	Le capteur thermique est activé	Laisser le nettoyeur refroidir pendant 15 minutes.
	Embout partiellement bloqué	Nettoyer la buse.
Pulsation du produit	Air dans le tuyau d'entrée/la pompe	Laisser le produit fonctionner avec le déclencheur ouvert jusqu'à ce que la pression de travail ordinaire reprenne.
	Alimentation en eau inadaptée	Vérifier que l'alimentation en eau correspond aux spécifications requises (voir plaque signalétique). Éviter d'utiliser des tuyaux longs et fins.
	Embout partiellement bloqué	Nettoyer la buse.
	Filtre à eau bloqué	Nettoyer le filtre.
	Tuyau plié	Raidir le tuyau.
Le produit démarre, mais l'eau ne sort pas.	Pompe/tuyaux ou accessoires gelés	Attendre que la pompe, les tuyaux ou les autres accessoires soient décongelés.
	Aucune alimentation en eau	Connecter le port d'entrée d'eau à une alimentation en eau.
	Filtre à eau bloqué	Nettoyer le filtre.
	Embout bloqué	Nettoyer la buse.

Sicherheit, Leistung und Zuverlässigkeit hatten oberste Priorität bei der Entwicklung Ihres elektrischen Hochdruckreinigers.

BESTIMMUNGSGEMÄSSE VERWENDUNG

Der elektrische Hochdruckreiniger ist ausschließlich zur Nutzung im Freien geeignet. Aus Sicherheitsgründen muss das Produkt ausreichend durch Zweihandbedienung gesteuert werden.

Dieses Produkt wurde für den Hausgebrauch entwickelt. Der Hochdruckreiniger ist zum Reinigen von Maschinen, Fahrzeugen, Gebäuden, Böden, Werkzeugen, Fassaden, Terrassen und Betongehwegen geeignet durch das Entfernen von hartnäckigem Schmutz durch sauberes Wasser mit oder ohne Reinigungsmittel.

Das Gerät sollte in einer gut beleuchteten Umgebung genutzt werden.

Das Produkt darf zu keinen anderen Zwecken verwendet werden.

⚠️ WARNUNG! Das Gerät wurde zur Nutzung mit einem neutralen vom Hersteller angebotenen oder empfohlenen Reinigungsmittel entwickelt. Die Nutzung anderer Reinigungsmittel oder Chemikalien kann sich negativ auf die Sicherheit des Geräts auswirken.

ALLGEMEINE SICHERHEITSWARNUNGEN

⚠️ WARNUNG! Lesen Sie alle **Sicherheitshinweise und Anweisungen**. Versäumnisse bei der Einhaltung der Sicherheitshinweise und Anweisungen können elektrischen Schlag, Brand und/oder schwere Verletzungen verursachen.

- Das Gerät wurde nicht zur Nutzung durch Kinder oder Personen mit eingeschränkten körperlichen, Sinnes- oder geistigen Fähigkeiten oder Personen mit mangelnder Erfahrung und Kenntnis entwickelt. Kinder müssen ausreichend beaufsichtigt werden, so dass gewährleistet ist, dass sie nicht mit dem Produkt spielen.
- Tragen Sie beim Bedienen dieses Geräts eine vollständige persönliche Schutzausrüstung, z. B. Stiefel, Schutzhandschuhe, Schutzhelm mit Visier und Gehörschutz. Nutzen Sie ausschließlich ein stark schlagfestes Visier mit Spritzschutz.

⚠️ WARNUNG! Verwenden Sie das Gerät nicht innerhalb der Reichweite anderer Personen, sofern diese nicht ebenfalls Schutzkleidung tragen.

- Halten Sie Kinder und Besucher fern, um das Verletzungsrisiko zu verringern. Alle beistehenden Personen sollten Schutzbrillen tragen und sicheren Abstand zum Arbeitsbereich halten.
- Stellen Sie sicher, dass die Schutzvorrichtungen in gutem Zustand sind. Stellen Sie vor jeder Nutzung sicher, dass alle diese Sicherheitsvorrichtungen korrekt funktionieren.
- Nutzen Sie das Gerät nicht, wenn wichtige Teile beschädigt sind, beispielsweise Sicherheitsvorrichtungen, Hochdruckschläuche oder Einschaltsperrung / Betätigungsdrücker.
- Seien Sie vorsichtig beim Betätigen des Betätigungsdrückers. Halten Sie den Sprühdüse fest mit beiden Händen, um Verletzungen durch einen Rückstoß zu vermeiden.

⚠️ WARNUNG! Während der Verwendung von Hochdruckreinigern können sich Aerosole bilden. Das Inhalieren von Aerosolen kann gesundheitsschädlich sein. In Abhängigkeit von der Anwendung können Sprühdüsen mit Schutzabdeckung für die Hochdruckreinigung verwendet werden, wodurch die Emission von wasserhaltigem Aerosol stark verringert wird. Nicht bei allen Anwendungen ist die Verwendung einer solchen Einrichtung zulässig. Wenn Sprühdüsen mit Schutzeinrichtung für den Schutz gegen Aerosole nicht anwendbar sind, kann in Abhängigkeit vom Reinigungsumfeld eine Atemschutzmaske der Klasse FFP2 oder gleichwertig erforderlich sein.

- Schalten Sie das Gerät immer aus, wenn Sie es unbeaufsichtigt lassen.
- Der Hochdruckstrahl ist bei Missbrauch gefährlich. Halten Sie den Strahl nicht in die Richtung von anderen Personen, aktive elektrische Ausrüstung oder des Produkts selbst.
- Um ein Explosionsrisiko zu verhindern, versprühen Sie keine entzündlichen Flüssigkeiten.
- Richten Sie den Strahl nicht direkt gegen sich selbst oder gegen andere Personen, um etwa Kleidung oder Schuhe zu reinigen.

EN

FR

DE

ES

IT

NL

PT

DA

SV

FI

NO

RU

PL

CS

HU

RO

LV

LT

ET

HR

SL

SK

BG

UK

TR

- Nutzen Sie das Gerät nicht zum Reinigen von Elektrogeräten, Kleidungsstücken oder Schuhen.
- Die Hochdruckschläuche, -armaturen und -kupplungen sind wichtig für die Maschinensicherheit. Nutzen Sie nur die vom Hersteller empfohlenen Schläuche, Armaturen und Verbindungsstücke.
- Verletzungen können durch lange Benutzung eines Werkzeugs entstehen oder verschlimmert werden. Machen Sie regelmäßig Pause, wenn Sie ein Werkzeug für lange Zeit benutzen.

⚠ VORSICHT Das Gerät darf ohne Rückflussverhinderer gemäß EN 12729 Typ BA nicht an eine Trinkwasserversorgung angeschlossen werden. Wasser, das durch einen Rückflussverhinderer fließt, gilt als nicht trinkbar. Beachten Sie beim Anschließen des Geräts an eine Trinkwasserleitung immer die Vorschriften des örtlichen Wasserversorgers.

ELEKTRISCHE SICHERHEIT

- Der Netzstecker muss in die Steckdose passen. Der Stecker darf in keiner Weise verändert werden. Nicht-modifizierte Stecker und passende Steckdosen reduzieren das Risiko von Stromschlägen.
- Verwenden Sie das Gerät nicht, wenn das Stromkabel oder andere wichtige Teile wie beispielsweise Sicherheitsvorrichtungen beschädigt ist bzw. sind.
- Prüfen Sie das Stromkabel und die Verlängerungsschnur vor jeder Verwendung auf Beschädigungen. Wenn das Strom- oder Verlängerungskabel beschädigt ist, muss es vom Hersteller, dem Kundendienst oder einer ähnlich qualifizierten Person ersetzt werden, um Gefahren zu vermeiden.
- Überprüfen Sie das Netzkabel vor jeder Benutzung auf Schäden. Es muss von einer qualifizierten Person in einem autorisierten Kundendienst ausgetauscht werden, wenn Beschädigungen sichtbar sind, damit eine Gefahr vermieden wird.
- Halten Sie das Netzkabel fern von Hitze, Öl, und scharfen Kanten.
- Berühren Sie den Stecker und die Steckdose niemals mit nassen Händen.
- Ungeeignete Verlängerungskabel können gefährlich sein. Wenn ein Verlängerungskabel verwendet wird, muss es für die Nutzung im Freien geeignet sein,

und die Verbindungsstelle muss trocken bleiben und darf den Boden nicht berühren. Nutzen Sie eine Kabeltrommel, damit sich die Steckdose mindestens 60 mm über dem Boden befindet.

- Der elektrische Anschluss muss von einem qualifizierten Elektriker vorgenommen werden und IEC 60364-1 entsprechen. Es wird empfohlen, dass der Elektroanschluss entweder ein Produkt zum Überprüfen des Potenzialausgleichs oder eine Fehlerstrom-Schutzeinrichtung beinhaltet, die die Stromversorgung unterbricht, wenn der Ableitstrom 30 mA für 30 ms überschreitet.

ZUSÄTZLICHE SICHERHEITSWARNUNGEN

- In einigen Regionen können Vorschriften die Benutzung dieses Produkts einschränken. Lassen Sie sich von Ihrer örtlichen Behörde beraten.
 - Prüfen Sie das Gerät vor jeder Nutzung auf Beschädigungen. Beschädigte Hochdruckschläuche müssen unverzüglich ersetzt werden. Stellen Sie sicher, dass alle Verbindungen, beispielsweise Hochdruckschlauch und -sprühdüse, sicher sind. Rollen Sie den Schlauch ordentlich ab, so dass er sich nicht verdreht oder knickt.
 - Erlauben Sie Kindern oder ungeschulten Personen nicht den Gebrauch des Produktes.
 - Schließen Sie vor der Reinigung Türen und Fenster. Entfernen Sie Schutt, Spielzeug, Gartenmöbel und andere Gegenstände, die zu einer Gefahr werden können, vom zu reinigenden Bereich.
 - Heben oder tragen Sie niemals das Produkt mit laufendem Motor.
 - Nutzen Sie das Gerät nicht bei Temperaturen unter 0 °C.
 - Nutzen Sie das Gerät nicht mit Säuren, Laugen, Lösemitteln, entflammaren Flüssigkeiten, Bleiche oder Industrielösungen. Diese Flüssigkeiten können zu Verletzungen des Bedieners und unwiderruflichen Beschädigungen des Geräts führen.
 - Betreiben Sie das Gerät immer auf einer ebenen Oberfläche.
- ⚠ WARNUNG!** Der Hochdruckstrahl kann bei Missbrauch gefährlich sein. Der Strahl darf

nicht auf Personen, Tiere, aktive elektrische Ausrüstung oder die Maschine selbst gerichtet werden.

- Halten Sie die Hochdruckpistole sicher mit beiden Händen. Gehen Sie davon aus, dass sich die Hochdruckpistole aufgrund der Reaktion bewegt, wenn der Betätigungsschalter gedrückt wird. Wenn der Bediener dies nicht erwartet, kann er die Kontrolle verlieren; dies kann dazu führen, dass der Bediener und andere Personen verletzt werden.
- Stellen Sie vor dem Einschalten des Geräts sicher, dass die Luft im Schlauch und der Pumpe freigesetzt wird. Um die Luft im Schlauch und in der Pumpe zu entfernen, schließen Sie die Wasserversorgung an der Pumpe an, verwenden Sie dabei einen Gartenschlauch, schließen Sie die Spritzpistole an der Pumpe an, verwenden Sie dabei den Hochdruckschlauch. Entriegeln Sie die Einschaltsperrung an der Pistole und drücken Sie die Gasdrücker, bis sie einen gleichmäßigen Fluss gibt.
- Achten Sie darauf, nicht zu rutschen oder zu fallen.
- Sorgen Sie für einen sicheren Stand und halten Sie das Gleichgewicht. Vermeiden Sie eine abnormale Körperhaltung. Eine abnormale Körperhaltung kann zu Gleichgewichtsverlust führen.
- Benutzen Sie nur geeignete und zugelassene Ersatzteile. Die Benutzung von ungeeignetem Zubehör kann zu Verletzungen führen.
- Lassen Sie das Produkt nicht unbeaufsichtigt in Betrieb. Schalten Sie das Produkt aus. Lassen Sie das Produkt nicht unbeaufsichtigt, bis es vollkommen gestoppt ist.
- Machen Sie sich mit den Bedienelementen vertraut. Sie müssen wissen, wie das Gerät stoppt und wie kurzfristiger Druck reduziert werden kann.
- Bleiben Sie aufmerksam und behalten Sie die Kontrolle. Achten Sie auf das, was sie tun, und setzen Sie Ihren gesunden Menschenverstand ein.
- Bedienen Sie das Gerät nicht, wenn Sie müde oder krank sind oder unter dem Einfluss von Alkohol, Drogen oder Medikamenten stehen. Ein kurzer Moment der Unachtsamkeit bei der Verwendung

eines Produktes kann zu schweren Verletzungen führen.

- Benutzen Sie kein Produkt, dessen Schalter defekt ist. Ein Elektrowerkzeug, das sich nicht mehr ein- oder ausschalten lässt, ist gefährlich und muss repariert werden.
- Halten Sie beim Reinigen von Fahrzeugen einen Mindestabstand von 30 cm ein. Der Hochdruckstrahl kann die Reifen und/oder die Reifenventile von Fahrzeugen beschädigen oder zum Platzen bringen.
- Verwenden Sie einen Gartenschlauch mit einer Höchstlänge von 15 m und einem Mindestdurchmesser von 18 mm (3/4 in.)
- Vergewissern Sie sich vor jedem Einsatz, dass der Aufsatz sicher an der Auslöserpistole befestigt ist.

ÜBERLASTUNGSSCHUTZ

Das Produkt ist mit einem Überlastungsschutz ausgestattet, der aktiviert wird wenn Überhitzung oder eine Stromspitze auftritt, und das Produkt automatisch ausschaltet. Um den Betrieb wieder aufzunehmen, trennen Sie das Produkt vom Stromnetz, warten ungefähr 15 Minuten und schließen das Produkt wieder an das Stromnetz an.

TRANSPORT UND LAGERUNG

⚠ VORSICHT! Berücksichtigen Sie bei der Auswahl des Lagerplatzes und während des Transports das Gewicht des Geräts, um Unfälle und Verletzungen zu verhindern.

- Schalten Sie das Gerät aus, unterbrechen Sie die Stromversorgung und lassen Sie das Gerät abkühlen. Trennen Sie vor Lagerung und Transport die Verbindung zur Wasserversorgung. Platzieren Sie das Gerät immer aufrecht.
- Entfernen Sie alle Fremdkörper vom Produkt. Lagern Sie das Gerät an einem kühlen, trockenen und gut belüfteten Ort, der Kindern keinen Zugang bietet. Halten Sie das Produkt von ätzenden Mitteln wie Gartenchemikalien und Streusalz fern. Lagern Sie das Gerät nicht im Freien.
- Lassen Sie vor dem Lagern des Geräts das Wasser aus allen Schläuchen und der Pumpe ab und leeren Sie den Reinigungsmittelbehälter.
- Sichern Sie das Produkt beim Transport in einem Fahrzeug gegen Bewegung

oder Herunterfallen, um Verletzungen an Personen und Beschädigung des Produkts zu verhindern.

- Das Gerät muss in einem Innenraum eingelagert werden. Das Einlagern des Geräts in einem Bereich mit einer Temperatur von unter 0 °C führt zu Schäden am Gerät.

WARTUNG UND PFLEGE

- Verwenden Sie ausschließlich original Ersatzteile, Zubehör und Aufsätze des Herstellers. Nichtbefolgung kann mögliche Verletzungen oder schlechte Leistung verursachen und Ihre Garantie ungültig machen.
- Service und Wartung des Gerätes erfordert besonderen Sorgfalt und Kenntnisstand und sollte nur durch qualifiziertes Personal durchgeführt werden. Lassen Sie das Gerät nur von einem autorisierten Servicecenter warten.
- Schalten Sie das Gerät aus und ziehen Sie den Stecker aus der Steckdose (falls zutreffend). Trennen Sie das Gerät von der Wasserversorgung. Lassen Sie das Gerät abkühlen:
 - bevor Sie das Produkt warten
 - bevor Sie eine Blockierung entfernen
 - bevor Sie das Produkt prüfen, reinigen oder daran arbeiten
- Sie dürfen nur die in dieser Bedienungsanleitung beschriebenen Einstellungen oder Reparaturen durchführen. Kontaktieren Sie Ihren autorisierten Kundendienst für andere Reparaturen.
- Prüfen Sie den Hochdruckreiniger zwecks sicherem Betrieb regelmäßig und führen Sie Wartungsarbeiten durch. RYOBI empfiehlt, das Gerät alle 6 Monate zu überprüfen.
- Überprüfen Sie Bolzen, Muttern und Schrauben in regelmäßigen Abständen, ob sie alle fest angezogen sind, um somit sicherzustellen, dass das Produkt in einem sicheren Zustand ist. Jedes beschädigte Teil muss durch den autorisierten Kundendienst ordnungsgemäß repariert oder ausgetauscht werden.

MACHEN SIE SICH MIT IHREM PRODUKT VERTRAUT

Siehe Seite 145.

1. Tragegriff
2. Stromkabelhalter
3. Ein-/Ausschalter
4. Bedienungsanleitung
5. Griffschraube
6. Wassereinflussfilter
7. Wassereinflussanschluss
8. Stromkabel
9. Freigabetaste Schlauch
10. Wasserausgangsanschluss
11. Hochdruckpistole
12. Verlängerungslanze
13. Einschaltsperr
14. Betätigungshebel
15. Schlauch Feststelltaste
16. Hochdruckschlauch
17. Variolanze
18. Gartenschlauch
19. RYOBI Reinigungsmittel
20. Gartenschlauch
21. Turbolanze
22. Reinigungsmittelflasche

HINWEIS: Beim Einsatz von Reinigungsmitteln ziehen Sie bitte das Sicherheitsdatenblatt des betreffenden Reinigungsmittels zu Rate.

SCHUTZVORRICHTUNGEN

- Ein-/Ausschalter
 - Der Ein-/Aus-Schalter verhindert den unbeabsichtigten Betrieb des Produkts.
- Einschaltsperr
 - Die Einschaltsperr der Hochdruckpistole sperrt den Betätigungsdrücker und verhindert ein unbeabsichtigtes Auslösen des Hochdruckstrahls.
- Sicherheitsventil mit Druckschalter
 - Das Sicherheitsventil verhindert, dass der zulässige Betriebsdruck überschritten wird. Wenn der Hebel an der Hochdruckpistole gelöst wird, schaltet der Druckschalter die Pumpe aus und der Hochdruckstrahl stoppt. Wenn der Hebel gezogen wird, schaltet sich die Pumpe wieder ein.
- Überlastungsschutz
 - Ein Thermosensor schützt das Produkt vor der Überlastung. Dieses Produkt schaltet sich bei Überhitzung automatisch ab.

SYMBOLLE AUF DEM PRODUKT



Vor dem Bedienen des Produkts müssen Sie alle Anweisungen lesen und verstehen. Befolgen Sie alle Warn- und Sicherheitshinweise.



Klasse II Werkzeug, Doppelisolierung



Tragen Sie eine Schutzbrille- und Gehörschutz.



Leistung

Das Gerät ist ohne Rückflussverhinderer nicht zum Anschließen an die Trinkwasserversorgung geeignet.



Richten Sie die Sprühlanze niemals auf Menschen, Tiere, das Gerät, die Stromversorgung oder andere elektrische Geräte.



Nenndruck

Drehen Sie den unteren Teil der Düse vollständig nach rechts, um einzuschäumen/ für das Reinigungsmittel den Niederdruckmodus zu aktivieren.



Europäisches Konformitätskennzeichen



Britisches Konformitätskennzeichen



EurAsian Konformitätszeichen



Ukrainisches Konformitätskennzeichen



Garantierter Schalleistungspegel



Elektrische Geräte sollten nicht mit dem übrigen Müll entsorgt werden. Bitte entsorgen Sie diese an den entsprechenden Entsorgungsstellen. Wenden Sie sich an die örtliche Behörde oder Ihren Händler, um Auskunft über die Entsorgung zu erhalten.

SYMBOLLE IN DIESER BEDIENUNGSANLEITUNG



Tragen Sie rutschfeste, strapazierfähige Schutzhandschuhe.



Teile oder Zubehör getrennt erhältlich



Anschließen an das Stromnetz



Trennen vom Stromnetz



Hinweis



Warnung

FEHLERBEHEBUNG

Problem	Mögliche Ursache	Lösung
Druckschwankung	Die Pumpe saugt Luft an	Überprüfen Sie, ob die Schläuche und Verbindungen luftdicht sind.
	Verschmutzte, abgenutzte oder blockierte Ventile	Bringen Sie das Produkt zur Wartung zu einem autorisierten Kundendienst.
	Verschlossene Pumpendichtungen	Bringen Sie das Produkt zur Wartung zu einem autorisierten Kundendienst.
Das Gerät stoppt	Thermosensor aktiviert	Lassen Sie das Gerät 15 Minuten lang abkühlen.
	Düse teilweise verstopft	Düse reinigen.
Das Gerät pulsiert	Luft im Einlassschlauch/in der Pumpe	Lassen Sie das Produkt mit gedrücktem Betätigungsschalter in Betrieb, bis wieder der normale Betriebsdruck erreicht wird.
	Unzureichende Leitungswasserversorgung	Überprüfen Sie, ob die Wasserzufuhr den erforderlichen Spezifikationen entspricht (siehe Modelletikett). Verwenden Sie keine langen, dünnen Schläuche.
	Düse teilweise verstopft	Düse reinigen.
	Wasserfilter verstopft	Reinigen Sie den Filter.
	Schlauch geknickt	Schlauch ohne Knicke auslegen.
Das Gerät startet, aber es tritt kein Wasser aus	Pumpe/Schläuche oder Zubehörteile eingefroren	Warten Sie, bis die Pumpe, Schläuche oder anderen Zubehörteile aufgetaut sind.
	Keine Wasserzufuhr	Schließen Sie den Wasserzulauf an die Wasserversorgung an.
	Wasserfilter verstopft	Reinigen Sie den Filter.
	Düse verstopft	Düse reinigen.

La seguridad, el rendimiento y la fiabilidad han sido las máximas prioridades a la hora de diseñar esta limpiadora de alta presión eléctrica.

USO PREVISTO

La limpiadora de alta presión eléctrica se debe utilizar exclusivamente en el exterior. Por razones de seguridad, es necesario controlar el producto correctamente utilizando las dos manos.

El producto está diseñado para uso doméstico. Está concebida para limpiar máquina, vehículos, edificios, suelos, herramientas, fachadas, terrazas y calzadas de cemento, eliminando la suciedad resistente mediante agua limpia con o sin detergente de limpieza.

El producto se debe utilizar en condiciones de buena iluminación.

No la use para ninguna otra finalidad.

⚠ ¡ADVERTENCIA! El producto está diseñado para usarse con un agente limpiador neutro suministrado o recomendado por el fabricante. El uso de otros agentes limpiadores o productos químicos podría afectar negativamente a la seguridad del producto.

ALERTA DE SEGURIDAD GENERAL

⚠ ¡ADVERTENCIA! Lea todas las advertencias de peligro e instrucciones. El incumplimiento de las advertencias e instrucciones puede provocar descargas eléctricas, incendios y/o lesiones graves.

- El producto no está diseñado para que lo usen niños ni personas con capacidades físicas, sensoriales o mentales reducidas o con falta de experiencia y conocimientos. Los niños deben estar adecuadamente supervisados para asegurarse de que no juegan con el producto.
- Use un equipo de protección individual completo cuando utilice el producto, como botas, guantes de seguridad, cascos de seguridad con visera y protección auditiva. Use viseras de alto impacto solo con protección contra salpicaduras líquidas.

⚠ ¡ADVERTENCIA! No use el producto cuando haya personas dentro del alcance, a menos que lleven puesta ropa protectora.

- Para reducir el riesgo de lesiones, mantenga a los niños y a los visitantes alejados. Toda persona presente debe llevar gafas de

protección y mantenerse a una distancia prudente de la zona de trabajo.

- Asegúrese de que los dispositivos de seguridad estén en buen estado de funcionamiento. Asegúrese de que todos los dispositivos de seguridad funcionan correctamente antes de cada uso.
- No use el producto si hay piezas importantes dañadas, tales como dispositivos de seguridad, mangueras de alta presión o la pistola con gatillo.
- Tenga cuidado al abrir el gatillo. Sujete firmemente el mango del gatillo con las dos manos para evitar lesionarse cuando el mango del gatillo retroceda.

⚠ ¡ADVERTENCIA! Cuando se usen limpiadores de alta presión, se pueden formar aerosoles. La inhalación de aerosoles puede ser perjudicial para la salud. Dependiendo de la aplicación, se pueden usar boquillas apantalladas para una limpieza de alta presión, lo que reducirá la emisión de aerosoles acuosos. No obstante, no todas las aplicaciones permiten el uso de tal dispositivo. Si no se dispone de boquillas apantalladas para la protección frente a aerosoles, puede ser necesaria una máscara respiratoria de clase FFP 2 o equivalente, dependiendo del entorno de limpieza.

- Pare siempre el producto cuando lo deje desatendido.
- Un chorro a alta presión es peligroso si no se usa bien. No dirija el chorro hacia personas, equipo eléctrico con corriente ni hacia el propio producto.
- Para evitar riesgos de explosión, no pulverice líquidos inflamables.
- No utilice el chorro para limpiar ni su ropa ni sus zapatos, ni los de otra persona.
- No use el producto para limpiar dispositivos electrónicos, ropa ni calzado.
- Las mangueras de alta presión, accesorios y acoplamientos son importantes para la seguridad del producto. Use solo mangueras, accesorios y acoplamientos recomendados por el fabricante.
- El uso prolongado de una herramienta puede causar o agravar lesiones. Al utilizar cualquier herramienta durante períodos prolongados asegúrese de tomar descansos regulares.

⚠ PRECAUCIÓN El producto no debe usarse en un suministro de agua potable

sin la presencia de un supresor de reflujo correspondiente a EN 12729 Tipo BA. El agua que fluye a través de un supresor de reflujo no se considera potable. Respete siempre las normativas de su compañía de suministro de agua local al conectar el producto a una red de suministro de agua.

ADVERTENCIAS DE SEGURIDAD ELÉCTRICA

- Los enchufes deben ser adecuados para la toma de corriente. No modifique el enchufe de ninguna manera. Utilizar enchufes sin modificar y tomas correspondientes reducirán el riesgo de descargas eléctricas.
- No use el producto si el cable de alimentación u otras piezas importantes, tales como dispositivos de seguridad, están dañados.
- Compruebe que el cable de alimentación y el cable de extensión no presenten daños antes de cada uso. Si el cable de alimentación o el de extensión están dañados, deben ser sustituidos por el fabricante, su centro de servicio u otras personas igualmente cualificadas para evitar el riesgo.
- Antes de cada uso, examine el cable para ver si está dañado. Caso existan señales de daños, este debe sustituirse por un técnico calificado en un centro de asistencia autorizado para evitar peligros.
- Mantenga el cable eléctrico lejos de fuentes de calor, aceite y bordes afilados.
- Nunca toque el enchufe de la red con las manos húmedas.
- Los cables de extensión inadecuados pueden ser peligrosos. Si se usa un cable de extensión, debe ser adecuado para su uso en exteriores y la conexión debe mantenerse seca y apartada del suelo. Use una rueda para cable para mantener el enchufe al menos a 60 mm por encima del suelo.
- La conexión al suministro eléctrico la debe realizar un electricista cualificado y debe cumplir con la norma IEC 60364-1. Se recomienda que el suministro eléctrico del producto incluya o un dispositivo de corriente residual que interrumpa el suministro si la corriente de fuga supera los 30 mA durante 30 ms o un dispositivo que pruebe el circuito de tierra.

AVISOS DE SEGURIDAD ADICIONALES

- Algunas regiones tienen normas que limitan el uso del producto. Consulte con su autoridad local para obtener información.
 - Antes de cada uso, compruebe que no haya daños en el producto. Una manguera de alta presión dañada debe sustituirse inmediatamente. Asegúrese de que todas las conexiones, como la manguera de alta presión y la boquilla, estén seguras. Desenrolle la manguera correctamente para que no se enrede o retuerza.
 - No permita que niños o individuos sin experiencia utilicen este producto.
 - Antes de comenzar la operación de limpieza, cierre puertas y ventanas. Despeje la zona que se vaya a limpiar de basura, juguetes, mobiliario de exterior u otros objetos que podrían suponer un peligro.
 - Nunca levante ni transporte el aparato con el motor en marcha.
 - No use el producto a temperaturas por debajo de 0°C.
 - No use disolventes ácidos ni alcalinos, material inflamable, lejías ni soluciones de grado industrial para el producto. Tales productos pueden provocar lesiones físicas al usuario y daños irreversibles al producto.
 - Utilice siempre el producto sobre una superficie plana.
- ⚠ ¡ADVERTENCIA!** Un chorro a alta presión puede ser peligroso si se somete a un mal uso. El chorro no debe dirigirse hacia personas, animales, dispositivos eléctricos o el propio producto.
- Sostenga el mango del gatillo firmemente con ambas manos. El mango del gatillo se desplaza cuando se tira del gatillo debido a fuerzas de reacción. Si esto no ocurre, podría producirse una pérdida de control y lesionarse usted o a otros.
 - Asegúrese de haber liberado el aire de la manguera y la bomba antes de encender el producto. Para quitar el aire de la manguera y la bomba, conecte el suministro de agua a la bomba con una manguera de jardín, conecte el mango del gatillo a la bomba con la manguera de alta presión, quite el cierre del mango del gatillo y apriete el gatillo hasta que haya un flujo constante.
 - Tenga precaución para evitar resbalar o caerse.

- Mantenga su pisada firme y su equilibrio. No se extienda demasiado. Si lo hace, podrá perder el equilibrio.
- Sólo utilice accesorios aprobados por el fabricante. La utilización de accesorios inadaptados puede provocar heridas corporales graves.
- Nunca deje el producto en marcha sin supervisión. Apague el producto. No suelte el producto hasta que se haya detenido por completo.
- Familiarícese con los controles. Sepa cómo detener el producto y purgar la presión rápidamente.
- Esté siempre atento y controle su herramienta. Fíjese bien en lo que está haciendo y actúe con sentido común.
- No utilice el producto si está cansado, enfermo o bajo la influencia de drogas, alcohol o medicamentos. En un momento de descuido, mientras utiliza el producto podrían ocurrir lesiones personales graves.
- No utilice el aparato en caso de que el interruptor no encienda ni apague el aparato. Cualquier producto que no puede ser controlada con el interruptor de encendido es peligroso y debe ser reparado.
- Mantenga una distancia mínima de 30 cm cuando limpie vehículos. El chorro de alta presión puede dañar o reventar neumáticos del vehículo o las válvulas de los neumáticos.
- Utilice una manguera de jardín con una longitud máxima de 15 m y un diámetro mínimo de 18 mm (3/4 pul.)
- Antes de cada uso, asegúrese de que el accesorio esté bien acoplado a la pistola con gatillo.

PROTECCIÓN CONTRA SOBRECARGA

El producto tiene un dispositivo de protección contra sobrecarga que se activa cuando ocurre un pico de corriente o sobrecalentamiento, cortando automáticamente la corriente al producto. Para reiniciar el funcionamiento, desconecte el producto de la toma de corriente, espere unos 15 minutos y vuelva a conectar el producto a la toma de corriente.

TRANSPORTE Y ALMACENAMIENTO

⚠ ¡ADVERTENCIA! Tenga en cuenta el peso del producto al seleccionar el lugar de almacenamiento y durante el transporte para evitar accidentes o lesiones.

- Detenga el producto, desconéctelo del suministro eléctrico y deje que se enfríe. Desconecte el producto del suministro de agua antes de guardarlo o transportarlo. Nunca coloque el producto en una posición que no sea hacia arriba.
- Limpie todo el material extraño que pueda permanecer en el producto. Guarde en una zona seca y bien ventilada, a la que no puedan acceder los niños. Almacene el producto lejos de agentes corrosivos como sales de deshielo y productos químicos de jardín. No guarde el producto a la intemperie.
- Extraiga el agua de las mangueras y la bomba y vacíe el depósito de detergente antes de guardar el producto.
- Para transportar el producto, sujételo de modo que no se mueva ni se caiga para evitar lesiones personales o daños al producto.
- Guarde siempre el producto en un espacio cerrado. Guardar el producto en una zona con una temperatura inferior a 0 °C lo dañará.

MANTENIMIENTO

- Utilice sólo piezas y accesorios de recambio originales del fabricante. Si no lo hace podría ocurrir un mal funcionamiento, podrían producirse daños o podría quedar anulada la garantía.
- Las reparaciones requieren tener mucho cuidado y conocimiento y sólo debe realizarse por un técnico de servicio calificado. Solicite la reparación del producto únicamente en un centro de servicio autorizado.
- Apague el producto y desconecte el enchufe de la toma eléctrica. Desconecte el producto del suministro de agua. Deje que el producto se enfríe:
 - antes del mantenimiento
 - antes de limpiar una obstrucción
 - antes de inspeccionar, limpiar o trabajar con el producto

- Usted solo puede realizar los ajustes o reparaciones descritos en este manual. Para otras reparaciones o consejos, busque la ayuda de un centro de servicio autorizado.
- Inspeccione con regularidad y realice labores de mantenimiento en la limpiadora de alta presión para un funcionamiento seguro. RYOBI recomienda inspeccionar el producto cada 6 meses.
- Verifique a intervalos frecuentes si todas las tuercas, pernos y tornillos están apretados apropiadamente para asegurarse de que el producto esté en buenas condiciones de trabajo. Cualquier pieza dañada debe ser sustituida o reparada adecuadamente por un centro de servicio autorizado.
- Válvula de descarga con interruptor de presión
 - La válvula de descarga evita que se supere la presión de trabajo permitida. Si se libera la palanca de la pistola con gatillo, el interruptor de presión apaga la bomba y se detiene el chorro de alta presión. Si se tira de la palanca, la bomba se enciende de nuevo.
- Protección contra sobrecarga
 - Un sensor térmico protege el producto contra posibles sobrecargas. El producto cortará automáticamente la alimentación en caso de sobrecalentamiento.

CONOZCA SU PRODUCTO

Véase la página 145.

1. Mango de transporte
2. Soporte del cable de alimentación
3. Interruptor Marcha
4. Manual de instrucciones
5. Tornillo del mango
6. Filtro de entrada de agua
7. Puerto de entrada de agua
8. Cable de alimentación
9. Botón de liberación de la manguera
10. Puerto de salida de agua
11. Soporte de la pistola con gatillo
12. Lanza de prolongación
13. Bloqueo del mango del gatillo
14. Gatillo
15. Botón de bloqueo de la manguera
16. Manguera de alta presión
17. Lanza Vario
18. Manguera de jardín
19. Detergente RYOBI
20. Conector de la manguera de jardín
21. Lanza turbo
22. Botella para detergente

NOTA: Si va a utilizar detergente, consulte la ficha de datos de seguridad de materiales del detergente.

DISPOSITIVOS DE SEGURIDAD

- Interruptor Marcha
 - El interruptor de encendido/apagado evita que el producto se encienda accidentalmente.
- Bloqueo del mango del gatillo
 - El cierre del mango del gatillo bloquea y evita que el chorro de alta presión se abra involuntariamente.

SÍMBOLOS EN EL PRODUCTO



Lea y entienda todas las instrucciones antes de utilizar el producto. Siga todas las advertencias e instrucciones de seguridad.



Herramienta de tipo II, doble aislamiento



Utilice gafas de protección y otros dispositivos de protección para los oídos.



Conectado



El producto no debe conectarse al suministro de agua corriente sin supresor de reflujo.



Nunca apunte con la lanza pulverizadora hacia personas, animales, la estructura de la máquina, el suministro eléctrico o cualquier aparato eléctrico.



Presión nominal



Gire la parte inferior de la boquilla al máximo hacia la derecha con el fin de activar el modo de baja presión para el uso de espuma/detergente.



Marca de conformidad europea



Marca de conformidad británica



Certificado EAC de conformidad



Marca de conformidad de Ucrania



Nivel de potencia acústica garantizado



Los productos eléctricos de desperdicio no deben desecharse con desperdicios caseros. Por favor recíclelos donde existan dichas instalaciones. Compruebe con su autoridad local o minorista para reciclar.

SÍMBOLOS EN ESTE MANUAL



Utilice guantes protectoras antideslizantes resistentes.



Las piezas o accesorios se venden por separado



Conectar a la toma de corriente



Desconectar de la toma de corriente



Nota



Advertencia

- EN
- FR
- DE
- ES**
- IT
- NL
- PT
- DA
- SV
- FI
- NO
- RU
- PL
- CS
- HU
- RO
- LV
- LT
- ET
- HR
- SL
- SK
- BG
- UK
- TR

RESOLUCIÓN DE PROBLEMAS

Problema	Causa posible	Solución
Variaciones de presión	La bomba succiona aire	Compruebe que las mangueras y las conexiones son herméticas.
	Válvulas sucias, desgastadas u obstruidas	Para operaciones de servicio, lleve el producto a un centro de servicio autorizado.
	Sellos de la bomba desgastados	Para operaciones de servicio, lleve el producto a un centro de servicio autorizado.
La máquina se detiene	Sensor térmico activado	Deje que la limpiadora se enfríe durante 15 minutos.
	La boquilla está parcialmente bloqueada	Limpie la boquilla.
Funcionamiento irregular del producto	Aire en la bomba/manguera de entrada	Deje que el producto funcione con el gatillo abierto hasta que se recupere la presión de trabajo regular.
	Suministro de agua inadecuado	Compruebe que el suministro de agua se corresponde con las especificaciones necesarias (ver la etiqueta del modelo). Evite utilizar mangueras largas y finas.
	La boquilla está parcialmente bloqueada	Limpie la boquilla.
	Filtro de agua bloqueado	Limpie el filtro.
	Manguera retorcida	Estire la manguera.
El producto se pone en marcha, pero no sale agua	Bomba/mangueras o accesorio congelados	Espere a que la bomba, las mangueras u otros accesorios se descongelen.
	Sin suministro de agua	Conecte el puerto de entrada de agua a un suministro de agua.
	Filtro de agua bloqueado	Limpie el filtro.
	Boquilla bloqueada	Limpie la boquilla.

Durante la progettazione di questo pulitore ad alta pressione elettrico è stata assegnata la massima priorità a sicurezza, prestazioni e affidabilità.

UTILIZZO RACCOMANDATO

Il pulitore ad alta pressione elettrico è destinato al solo uso all'aperto. Per ragioni di sicurezza, l'utensile deve essere adeguatamente controllato utilizzando sempre due mani.

Prodotto disegnato per utilizzo privato o domestico. Il prodotto serve a pulire macchine, veicoli, edifici, pavimenti, utensili, facciate, terrazze e sentieri in cemento, ed effettua la rimozione dello sporco difficile utilizzando acqua pulita con o senza un detergente.

Il prodotto deve essere utilizzato in condizioni di buona illuminazione.

Non utilizzare per altri scopi.

⚠ AVVERTENZA! Il pulitore ad alta pressione è stato progettato per l'utilizzo con un agente detergente neutro in dotazione o raccomandato dal produttore. L'utilizzo di altri agenti o sostanze chimiche di pulizia potrebbe influire sulla sicurezza del prodotto.

AVVERTENZE GENERALI DI SICUREZZA

⚠ AVVERTENZA! Leggere tutte le avvertenze di sicurezza e le istruzioni. La mancata osservanza di tutte le istruzioni potrà causare scosse elettriche, incendi e/o gravi lesioni personali.

- Il prodotto non deve essere utilizzato da bambini o da individui con ridotte capacità fisiche, mentali o sensoriali, oppure da persone che non dispongono di esperienza e conoscenza. Supervisionare adeguatamente i bambini per assicurarsi che non giochino con il prodotto.
- Indossare equipaggiamento di protezione individuale completo quando si utilizza il prodotto, come stivali, guanti di sicurezza, caschi di sicurezza con visiera e protezione per le orecchie. Utilizzare soltanto visiere molto resistenti agli urti con protezione contro gli schizzi di liquido.
- ⚠ AVVERTENZA!** Non utilizzare il prodotto in presenza di astanti, a meno che essi indossino abbigliamento protettivo.
- Tenere a distanza bambini e visitatori per ridurre il rischio di lesioni. Eventuali persone

estranee devono indossare occhiali di protezione e rimanere a debita distanza dall'area di lavoro.

- Assicurarsi che i dispositivi di sicurezza siano in buone condizioni di lavoro. Prima di ciascun utilizzo, accertarsi che i dispositivi di sicurezza stiano funzionando correttamente.
- Non utilizzare il prodotto se parti importanti dello stesso sono danneggiate, come i dispositivi di sicurezza, i tubi flessibili ad alta pressione o la pistola di azionamento.
- Prestare attenzione quando si apre il grilletto. Per evitare lesioni quando l'impugnatura del grilletto retrocede, afferrarla saldamente con due mani.

⚠ AVVERTENZA! Durante l'utilizzo di detersivi ad alta pressione, possono formarsi vaporizzazioni. L'inalazione delle vaporizzazioni è pericolosa per la salute. In base all'applicazione, possono essere utilizzati ugelli schermati per la pulizia ad altra pressione; tale accorgimento ridurrà l'emissione di vaporizzazioni idrate. Comunque, non tutte le applicazioni consentono l'utilizzo di tale dispositivo. Se gli ugelli schermati non sono pertinenti per la protezione dalle vaporizzazioni, una maschera respiratoria di classe FFP 2 o equivalente potrebbe essere necessaria, in base all'ambiente di pulizia.

- Spegnerne sempre il prodotto lasciato incustodito.
- Il getto ad alta pressione è pericoloso se utilizzato male. Non rivolgere il getto verso persone, apparecchiature elettriche sotto tensione o il prodotto stesso.
- Per evitare rischi di esplosione, non spruzzare i liquidi infiammabili.
- Non dirigere il getto verso se stessi o gli altri al fine di pulire indumenti o calzature.
- Non utilizzare il prodotto per pulire dispositivi elettronici, abbigliamento o calzature.
- I tubi flessibili ad alta pressione, i raccordi e gli agganci sono importanti per la sicurezza del prodotto. Utilizzare soltanto tubi flessibili, raccordi e agganci consigliati dal produttore.
- Il prolungato utilizzo dell'utensile potrà causare o aggravare lesioni. Quando si utilizza questo utensile per periodi di tempo prolungati, assicurarsi di fare sempre delle pause regolari.

⚠ AVVISIO Il prodotto non deve essere utilizzato su forniture di acqua potabile senza disporre di un dispositivo per la prevenzione dell'inquinamento da riflusso equivalente a EN 12729 Tipo BA. L'acqua che scorre attraverso il dispositivo per la prevenzione dell'inquinamento da riflusso è considerata non potabile. Osservare sempre le normative dell'azienda idrica locale quando si collega il prodotto ad un condotto di fornitura dell'acqua.

AVVERTENZE SULLA SICUREZZA ELETTRICA

- Le prese dell'alimentazione devono essere compatibili con la spina. Non modificare la spina in alcun modo. Spine non modificate e prese corrispondenti ridurranno il rischio di scosse elettriche.
- Non utilizzare il prodotto se il cavo di alimentazione o altre parti importanti, come i dispositivi di sicurezza, sono danneggiati.
- Controllare il cavo di alimentazione e la prolunga per accertarsi che non ci siano danni prima dell'utilizzo. Se il cavo di alimentazione o la prolunga sono danneggiati, devono essere sostituiti dal fabbricante, da un suo agente di assistenza o da altra persona qualificata analoga per evitare pericoli.
- Prima di ogni utilizzo, controllare il cavo dell'alimentazione per evidenziare eventuali danni. In caso di danni, far sostituire da personale qualificato presso un centro servizi autorizzato per evitare di correre rischi.
- Tenere il cavo lontano da fonti di calore, olio ed angoli appuntiti.
- Non toccare mai la spina e la presa con le mani bagnate.
- Le prolunghie non adeguate possono essere pericolose. Se viene utilizzata una prolunga, è necessario che sia idonea ad usi esterni e che la connessione sia mantenuta asciutta e sollevata dal suolo. Utilizzare una ruota per cavo per mantenere la presa sollevata dal suolo di almeno 60 mm.
- Il collegamento all'alimentazione elettrica dev'essere eseguito da un elettricista qualificato e dev'essere conforme a IEC 60364-1. Si raccomanda che l'alimentazione elettrica del prodotto includa un salvavita che interrompa l'alimentazione nel caso in cui la dispersione di corrente a terra superi i

20 mA per 30 ms oppure un dispositivo che verifichi il circuito di terra.

ULTERIORI AVVERTENZE DI SICUREZZA

- Alcune regioni hanno norme che limitano l'utilizzo del prodotto. Rivolgersi alle autorità locali per eventuali consigli.
- Verificare la presenza di danni sul prodotto prima di ogni utilizzo. Un tubo flessibile ad alta pressione danneggiato deve essere sostituito immediatamente. Accertarsi che tutte le connessioni, come il tubo flessibile ad alta pressione e l'ugello siano ben salde. Srotolare il tubo flessibile attentamente, facendo attenzione che non si attorcigli né si pieghi.
- Non permettere a bambini o a persone non qualificate di utilizzare questo prodotto.
- Prima di avviare l'operazione di pulizia, chiudere porte e finestre. Pulire l'area in modo che sia priva di detriti, giocattoli, mobili per ambienti esterni o altri oggetti che potrebbero costituire un pericolo.
- Non alzare né trasportare il prodotto con il motore in funzione.
- Non utilizzare il prodotto a temperature inferiori a 0° C.
- Non utilizzare sostanze acide, alcaline, solventi, materiale infiammabile, candeggine o soluzioni di grado industriale nel prodotto. Queste sostanze possono causare lesioni fisiche all'operatore e danni irreversibili al prodotto.
- Azionare sempre il prodotto su una superficie piana.
- ⚠ **AVVERTENZA!** Il getto ad alta pressione può essere pericoloso se utilizzato male. Il getto non deve essere rivolto verso persone, animali, dispositivi elettrici o il prodotto stesso.
- Afferrare l'impugnatura del grilletto con entrambe le mani. A causa delle forze di reazione, aspettarsi che l'impugnatura del grilletto si muova quando il grilletto viene tirato. La mancata osservanza di questa precauzione potrebbe causare la perdita di controllo e lesioni all'operatore e agli altri.
- Accertarsi che sia stata rilasciata l'aria nel tubo flessibile e nella pompa prima di accendere il prodotto. Per rimuovere l'aria dal tubo e dalla pompa, collegare l'erogazione dell'acqua alla pompa usando

un tubo da giardinaggio, connettere la maniglia del grilletto alla pompa tramite un tubo ad alta pressione, rilasciare la sicura del grilletto e premere quest'ultimo finché non c'è un flusso continuo.

- Procedere con cautela per evitare scivolamenti o cadute.
- Mantenere sempre un appoggio saldo e l'equilibrio. Non protendersi. Protendersi potrà causare una perdita di equilibrio.
- Utilizzare solo accessori approvati dalla stessa ditta. L'impiego di accessori non adatti può comportare il rischio di gravi lesioni fisiche.
- Non lasciare mai senza supervisione il prodotto quando è in funzione. Spegnerne il prodotto. Non lasciare il prodotto prima che si sia completamente arrestato.
- Familiarizzarsi con i comandi. Essere a conoscenza di come arrestare il prodotto e spurgare la pressione rapidamente.
- Fare sempre attenzione e mantenere il controllo dell'apparecchio. Fare sempre attenzione alle operazioni che si effettuano e agire con buon senso.
- Non usare il prodotto in caso di stanchezza, malessere o sotto gli effetti di droghe, alcool o farmaci. Un momento di disattenzione mentre si mette in funzione il prodotto potrà causare gravi lesioni personali.
- Non utilizzare il prodotto se l'interruttore non si accende o spegne. Un prodotto che non può essere controllato dall'interruttore è pericoloso e deve essere riparato.
- Mantenere una distanza minima di 30 cm quando si puliscono i veicoli. Il getto ad alta pressione potrebbe danneggiare o forare gli pneumatici e/o le valvole degli pneumatici del veicolo.
- Usare un tubo da giardino di lunghezza massima 15 m e diametro minimo 18 mm (3/4 poll.)
- Dopo ogni utilizzo, assicurarsi che l'accessorio sia saldamente fissato alla pistola.

PROTEZIONE SOVRACCARICO

Il prodotto è dotato di un dispositivo di protezione dal sovraccarico che si attiva quando l'utensile si surriscalda o quando si verificano picchi di corrente, spegnendo automaticamente il dispositivo. Per riavviare

le operazioni, scollegare il prodotto dall'alimentazione, attendere per 15 minuti e ricollegarlo all'alimentazione.

TRASPORTO E RIPONIMENTO

⚠ ATTENZIONE! Quando si sceglie il luogo di conservazione e durante il trasporto, valutare sempre il peso del prodotto per evitare incidenti o lesioni.

- Arrestare il prodotto, disconnettere la fornitura di alimentazione e lasciare che il prodotto si raffreddi. Disconnettere il prodotto dalla fornitura dell'acqua prima dell'immagazzinaggio o del trasporto. Collocare sempre il prodotto in posizione verticale.
- Rimuovere eventuali materiali di scarto dal prodotto. Riporre in un luogo asciutto e ben ventilato non accessibile ai bambini. Tenere il prodotto lontano da agenti corrosivi come agenti chimici da giardino e sali scongelanti. Non conservare il prodotto all'aperto.
- Rimuovere l'acqua da tutti i tubi flessibili e dalla pompa, e svuotare il serbatoio del detergente prima di immagazzinare il prodotto.
- Per il trasporto, assicurare il prodotto contro ogni movimento o contro eventuali cadute per evitare lesioni a persone o danni al prodotto.
- Conservare il prodotto solo in un ambiente chiuso. La conservazione del prodotto a una temperatura inferiore agli 0 °C danneggerà il prodotto.

MANUTENZIONE

- Utilizzare solo parti di ricambio, accessori e dispositivi originali della ditta produttrice. In caso contrario si potranno causare lesioni, prestazioni basse e la garanzia verrà invalidata.
- Le operazioni di manutenzione devono essere svolte con grande attenzione e accortezza solo da un tecnico qualificato. Far riparare il prodotto esclusivamente da un centro assistenza autorizzato.
- Spegnerne il prodotto e scollegare la presa dall'uscita di alimentazione. Scollegare il prodotto dalla fornitura dell'acqua. Lasciare che il prodotto si raffreddi.
 - prima degli interventi di assistenza
 - prima di rimuovere un blocco

EN

FR

DE

ES

IT

NL

PT

DA

SV

FI

NO

RU

PL

CS

HU

RO

LV

LT

ET

HR

SL

SK

BG

UK

TR

- prima di svolgere le operazioni di controllo o pulizia sul prodotto o prima di utilizzarlo
- Sarà solo possibile svolgere le regolazioni o riparazioni indicate nel presente manuale. Per altre riparazioni o consigli, rivolgersi a un centro servizi autorizzato.
- Esaminare ed effettuare la manutenzione regolarmente del pulitore ad alta pressione per garantire un funzionamento sicuro. RYOBI raccomanda l'ispezione del prodotto ogni 6 mesi.
- Controllare frequentemente dadi, bulloni e viti, verificando che siano stati assicurati correttamente per fare in modo che il prodotto garantisca condizioni di lavoro ottimali. Riparare eventuali parti danneggiate o farle sostituire da un centro servizi autorizzato.
- Valvola di limitazione della portata con interruttore di pressione
 - La valvola di limitazione della portata impedisce di superare la pressione di lavoro consentita. Se la leva sulla pistola del grilletto è rilasciata, l'interruttore di pressione spegne la pompa e il getto ad alta pressione si interrompe. Se la leva è inserita, la pompa si accende di nuovo.
- Protezione sovraccarico
 - Un sensore termico protegge il prodotto dai sovraccarichi. In caso di surriscaldamento il prodotto si spegne automaticamente.

FAMILIARIZZARE CON IL PRODOTTO

Vedere pagina 145.

1. Manico per il trasporto
2. Portacavo
3. Pulsante di messa in funzione
4. Manuale dell'operatore
5. Vite manovella
6. Filtro dell'acqua in ingresso
7. Ingresso dell'acqua
8. Cavo di alimentazione
9. Pulsante di sblocco tubo
10. Uscita dell'acqua
11. Supporto pistola di azionamento
12. Lancia di prolunga
13. Grilletto di blocco della maniglia
14. Grilletto
15. Pulsante di blocco tubo
16. Tubo flessibile ad alta pressione
17. Lancia Vario
18. Tubo da giardino
19. Detergente RYOBI
20. Connettore tubo giardino
21. Lancia turbo
22. Flacone di detergente

NOTA: Se si utilizza un detergente, consultarne la Scheda Dati di Sicurezza.

DISPOSITIVI DI SICUREZZA

- Pulsante di messa in funzione
 - L'interruttore di accensione previene il funzionamento accidentale del prodotto.
- Grilletto di blocco della maniglia
 - La sicura blocca il grilletto per prevenire l'apertura accidentale del getto ad alta pressione.

SIMBOLI SUL PRODOTTO



Prima di utilizzare il prodotto leggere e comprendere tutte le istruzioni. Osservare tutte le avvertenze e le istruzioni di sicurezza.



Utensile di Classe II, isolamento doppio



Indossare occhiali e cuffie di protezione.



Sotto tensione



Il prodotto non è idoneo per la connessione a tubature dell'acqua potabile se non è presente un dispositivo di prevenzione del riflusso.



Non puntare mai la lancia di erogazione verso persone, animali, il corpo della macchina, la fornitura di alimentazione o altri apparecchi elettrici.



Pressione nominale



Ruotare la parte inferiore dell'ugello tutta a destra per attivare la modalità bassa pressione per schiuma/detergente.



Marchio di conformità europeo



Marchio di conformità
britannico



Marchio di conformità
EurAsian



Marchio di conformità ucraino



Livello di potenza acustica
garantito



I prodotti elettrici non devono essere smaltiti con i rifiuti domestici. Vi sono strutture per smaltire tali prodotti. Informarsi presso il proprio Comune o rivenditore di sicurezza per smaltire adeguatamente tali rifiuti.

SIMBOLI NEL PRESENTE MANUALE



Indossare guanti di protezione resistenti e anti-scivolo.



Parti o accessori venduti separatamente



Collegare alla presa dell'alimentazione



Scollegare dalla presa dell'alimentazione



Note



Avvertenze

RISOLUZIONE DEI PROBLEMI

PROBLEMA	Causa	SOLUZIONE
Pressione non costante	La pompa aspira aria	Verificare che i tubi flessibili e gli attacchi siano ermetici
	Valvole sporche, usurate o inceppate	Per la manutenzione, portare il prodotto presso un centro servizi autorizzato.
	Guarnizioni della pompa usurate	Per la manutenzione, portare il prodotto presso un centro servizi autorizzato.
La macchina si ferma	Sensore termico attivato	Lasciare il pulitore a raffreddare per 15 minuti.
	Ugello parzialmente ostruito	Pulire l'ugello.
Prodotto pulsante	Aria nel tubo flessibile di ingresso o nella pompa	Lasciar funzionare il prodotto con il grilletto aperto fino a quando torna la normale pressione di funzionamento.
	Fornitura della rete dell'acqua inadeguata	Verificare che la fornitura dell'acqua sia conforme alle specifiche richieste (vedere etichetta del modello). Evitare di utilizzare tubi flessibili lunghi e sottili.
	Ugello parzialmente ostruito	Pulire l'ugello.
	Filtro dell'acqua bloccato	Pulire il filtro.
	Tubo flessibile aggrovigliato	Distendere il tubo flessibile.
Il prodotto si avvia ma l'acqua non esce	Tubi/pompa o accessori congelati	Attendere che la pompa, i tubi flessibili o gli altri accessori si scongelino.
	Fornitura d'acqua assente	Collegare la presa d'acqua alla fornitura d'acqua.
	Filtro dell'acqua bloccato	Pulire il filtro.
	Ugello ostruito	Pulire l'ugello.

Bij het ontwerp van uw elektrische hogedrukreiniger op benzine hebben veiligheid, prestaties en betrouwbaarheid de hoogste prioriteit gekregen.

VOORGESCHREVEN GEBRUIK

De elektrische hogedrukreiniger is alleen bedoeld voor gebruik buiten. Om veiligheidsredenen moet dit product met twee handen op de juiste wijze worden bediend en vastgehouden.

Het product is geschikt voor huishoudelijk gebruik. Het apparaat is bedoeld voor het reinigen van machines, voertuigen, gebouwen, vloeren, gereedschap, gevels, terrassen, vloeren en betonnen voetpaden door verwijdering van hardnekkig vuil met schoon water met of zonder reinigingsmiddel.

Het apparaat moet worden gebruikt onder goed verlichte omstandigheden.

Gebruik niet voor andere doeleinden.

⚠ WAARSCHUWING! Ontworpen voor gebruik met een door de fabrikant aanbevolen of geleverd neutraal reinigingsmiddel. Het gebruik van andere reinigingsmiddelen of chemicaliën kan een negatieve invloed hebben op de veiligheid van het apparaat.

ALGEMENE VEILIGHEIDSWAARSCHUWINGEN

⚠ WAARSCHUWING! Lees alle veiligheidswaarschuwingen en instructies. Wanneer niet de waarschuwingen en instructies niet opvolgt, kan dit leiden tot elektrische schok en/of ernstig letsel.

- Het apparaat is niet bedoeld voor gebruik door kinderen of personen met verminderde lichamelijke, zintuiglijke of geestelijke vermogens, of met onvoldoende ervaring en kennis. Kinderen moeten onder toezicht staan om ervoor te zorgen dat ze niet met het product spelen.
- Draag bij gebruik van het apparaat volledige persoonlijke beschermingsmiddelen, zoals laarzen, handschoenen, veiligheidshelmen met vizier en gehoorbescherming. Gebruik alleen vizieren voor hoge belasting met spatbescherming.

⚠ WAARSCHUWING! Gebruik het apparaat niet wanneer mensen zich binnen het bereik bevinden, tenzij ze beschermende kleding dragen.

- Houd kinderen en bezoekers uit de buurt om het risico op letsel te verminderen. Laat bezoekers het apparaat of het verlengsnoer niet aanraken terwijl het in werking is.
- Zorg ervoor dat de veiligheidsapparatuur in goede staat verkeert. Zorg er vóór elk gebruik voor dat alle veiligheidsvoorzieningen goed werken.
- Gebruik het apparaat niet als belangrijke onderdelen beschadigd zijn, zoals de veiligheidsvoorzieningen, hogedrukslangen of de trekker.
- Wees voorzichtig bij het openen van de trekker. Houd de trekkerhandgreep stevig met beide handen vast om letsel te voorkomen bij terugklappen van de trekker.

⚠ WAARSCHUWING! Bij gebruik van een hogedrukreiniger kunnen aerosolen worden gevormd. Inademing van aerosolen kan gevaarlijk zijn voor de gezondheid. Afhankelijk van het gebruik kunnen voor hogedrukreiniging afgeschermd spuitstukken worden gebruikt om de uitstoot van waterhoudende aerosolen te verminderen. Dergelijke stukken kunnen echter niet bij elk gebruik worden ingezet. Indien voor bescherming tegen aerosolen geen afgeschermd spuitstukken kunnen worden gebruikt, kan afhankelijk van de soort reiniging een beademingsmasker uit klasse FFP 2 of gelijkwaardig nodig zijn.

- Stop het apparaat altijd wanneer u het onbeheerd achterlaat.
- Bij onjuist gebruik is een hogedrukstraal gevaarlijk. Richt de straal niet op mensen, ingeschakelde elektrische apparaten, of op het apparaat zelf.
- Om explosiegevaar te vermijden, niet met brandbare vloeistoffen spuiten.
- Richt de straal niet rechtstreeks op uzelf of anderen om kleding of schoenen te reinigen.
- Gebruik het apparaat niet voor het reinigen van elektronische apparaten, kleding of schoeisel.
- Hogedrukslangen, fittingen en koppelingen zijn belangrijk voor de veiligheid van het apparaat. Gebruik alleen door de fabrikant aanbevolen slangen, fittingen en koppelingen.
- Letsels kunnen worden veroorzaakt of ernstiger worden door verlengd gebruik van een werktuig. Als u een werktuig gedurende

langere periodes gebruikt, neem dan regelmatig pauze.

⚠ Het apparaat mag niet worden gebruikt met een drinkwatervoorziening zonder gemonteerde terugslagklep, die aan EN 12729 Type BA voldoet. Water dat door een terugslagklep stroomt, wordt als ondrinkbaar beschouwd. Neem bij aansluiting van het apparaat op een waterleiding altijd de voorschriften van het plaatselijke waterleidingbedrijf in acht.

VEILIGHEIDSWAARSCHUWINGEN VOOR ELEKTRICITEIT

- De stekker moet overeenkomen met de contactdoos. Wijzig de stekker nooit. Niet-gewijzigde stekkers en overeenkomstige contactdozen zullen het risico op elektrische schok verminderen.
- Gebruik het apparaat niet als het netsnoer of andere belangrijke onderdelen, zoals de veiligheidsvoorzieningen, beschadigd zijn.
- Controleer voorafgaand aan elke gebruik het netsnoer en het verlengsnoer op schade. Als het netsnoer of verlengsnoer beschadigd is, moet dit om gevaar te voorkomen worden vervangen door de fabrikant of diens technische dienst, of personen met vergelijkbare kwalificaties.
- Voor elk gebruik controleert u het stroomsnoer op schade. Als er tekenen van schade zijn, moet het door een gekwalificeerde deskundige in een geautoriseerd onderhoudscentrum worden vervangen om mogelijke gevaren te vermijden.
- Houd het stroomsnoer weg van hitte, olie en scherpe randen.
- Raak de stekker en het stopcontact nooit aan met natte handen.
- Onjuiste verlengsnoeren kunnen gevaarlijk zijn. Als er een verlengsnoer wordt gebruikt, dient dit geschikt te zijn voor gebruik buitenshuis, en de aansluiting moet droog en van de grond worden gehouden. Gebruik een haspel om de aansluiting ten minste 60 mm boven de grond te houden.
- De elektriciteit dient aangesloten te worden door een gekwalificeerd elektricien en de aansluiting moet voldoen aan richtlijn IEC 60364-1. De stroomtoevoer naar het product dient uitgerust te worden met een aardlekschakelaar, die de toevoer onderbreekt als deze hoger wordt dan 30

mA voor 30 ms, of een apparaat dat het gearde circuit beschermt.

BIJKOMENDE VEILIGHEIDSWAARSCHUWINGEN

- Enkele regio's hebben regels die het gebruik van het product beperken. Raadpleeg uw lokale autoriteit voor advies.
 - Controleer het apparaat vóór elk gebruik op schade. Een beschadigde hogedrukslang moet direct worden vervangen. Zorg dat alle aansluitingen, zoals de hogedrukslang en het spuitstuk, veilig zijn. Wikkel de slang correct af, zodat deze niet wordt gedraaid of geknikt.
 - Laat kinderen of niet-opgeleide personen dit product niet gebruiken.
 - Sluit deuren en ramen voordat u gaat reinigen. Verwijder vuil, speelgoed, tuinmeubilair, of andere voorwerpen die gevaar kunnen opleveren uit het te reinigen gebied.
 - Hef het product nooit op of draag het nooit terwijl de motor draait.
 - Het apparaat niet gebruiken in temperaturen onder 0°C.
 - Gebruik geen zuren, logen, oplosmiddelen, brandbaar materiaal, bleekmiddelen, of industriële oplossingen in het apparaat. Deze producten kunnen lichamelijk letsel aan de gebruiker, en onherstelbare schade aan het apparaat veroorzaken.
 - Gebruik het apparaat alleen op een vlakke ondergrond.
- ⚠ WAARSCHUWING!** Hogedrukstralen kunnen bij onjuist gebruik gevaarlijk zijn. De straal mag niet worden gericht op mensen, dieren, elektrische apparatuur, of het apparaat zelf.
- Houd de trekkerhandgreep stevig met twee handen vast. Door reactieve krachten komt de trekkerhandgreep in beweging bij het overhalen van de trekker. Wanneer u hier niet op bent voorbereid, kunt u de controle over het apparaat verliezen en letsel aan uzelf en anderen toebrengen.
 - Zorg vóórdat u het apparaat inschakelt dat de lucht in de slang en pomp is afgevoerd. Om de lucht uit de slang en de pomp te verwijderen, sluit u de watertoevoer naar de pomp met een tuinslang, daarna sluit u de trekkerhandgreep aan op de pomp met de hogedrukslang, en koppelt u de vergrendeling van de trekkerhandgreep,

voordat u de trekker indrukt totdat er een gestage stroom ontstaat.

- Wees voorzichtig om uitglijden of vallen te voorkomen.
- Bewaar steeds een stevige houvast en goed evenwicht. Overrek u niet. Rek u niet uit, waardoor u uw evenwicht kunt verliezen.
- Gebruik alleen toebehoren die door de fabrikant werden goedgekeurd. Het gebruik van ongeschikte accessoires kan gevaar voor ernstig lichamelijk letsel met zich meebrengen.
- Laat het apparaat tijdens gebruik nooit onbeheerd achter. Schakel het product uit. Verlaat het apparaat niet totdat het volledig tot stilstand is gekomen.
- Raak vertrouwd met de bediening. Leer hoe u het apparaat kunt stopzetten en de druk snel kunt ontlasten.
- Wees altijd oplettend en zorg dat u uw gereedschap de baas blijft. Concentreer u op wat u doet en gebruik uw gezonde verstand.
- Gebruik het product niet als u moe, ziek of onder de invloed van drugs, alcohol of medicijnen bent. Een ogenblik van onoplettendheid tijdens het gebruik van het product kan leiden tot ernstige persoonlijke letsels.
- Gebruik het product niet als de schakelaar het product niet in- of uitschakelt. Een product dat niet met de schakelaar kan worden bediend, is gevaarlijk en moet worden gerepareerd.
- Houd minstens 30 cm afstand bij het reinigen van voertuigen. De hogedrukstraal kan banden en/of de kleppen van banden beschadigen of laten barsten.
- Gebruik een tuinslang met een maximale lengte van 15 m en een minimale diameter van 18 mm.
- Zorg er voorafgaand aan gebruik voor dat het onderdeel stevig aan het trekkerpistool bevestigd is.

OVERBELASTINGSBESCHERMING

Het product beschikt over een overbelastingsbeschermingsvoorziening die wordt geactiveerd bij oververhitting of stroompiek, waardoor het product automatisch wordt uitgeschakeld. Om het gebruik te hernemen, ontkoppelt u het product van de stroomtoevoer, wacht u ongeveer 15 minuten

en verbindt u het product dan opnieuw met de stroomtoevoer.

TRANSPORT EN OPSLAG

⚠ LET OP! Let bij de keuze voor de opslaglocatie en tijdens vervoer op het gewicht van het apparaat om ongevallen of letsels te voorkomen.

- Stop het apparaat, haal de stekker uit het stopcontact, en laat het product afkoelen. Koppel het apparaat vóór de opslag of het vervoer los van de watertoevoer. Zet het apparaat nooit in een andere positie dan rechtopstaand.
- Verwijder alle vreemde voorwerpen van het product. Bewaar op een koele, droge en goed geventileerde plaats die niet toegankelijk is voor kinderen. Houd het product weg van corrosieve producten, zoals tuinchemicaliën en ontdooiingszout. Sla het product niet buitenshuis op.
- Vóór opslag van het apparaat het water uit alle slangen en de pomp verwijderen, en de tank voor reinigingsmiddel legen.
- Voor transport beveiligt u het product tegen bewegen of vallen om lichamelijke letsels of schade aan het product te voorkomen.
- Bewaar het product alleen binnenshuis. Opslag in een omgeving bij temperaturen onder 0°C zal het apparaat beschadigen.

ONDERHOUD

- Gebruik uitsluitend originele vervangonderdelen, accessoires en voorzetstukken van de fabrikant. Als u dit niet doet, kan dit mogelijks letsels of slechte prestaties veroorzaken waardoor uw garantie kan vervallen.
- Het onderhoud vereist extreme voorzichtigheid en deskundigheid en mag enkel door een gekwalificeerde onderhoudstechnicus worden uitgevoerd. Het product mag uitsluitend door een erkend servicecentrum worden gerepareerd.
- Zet het apparaat uit en haal de stekker uit het stopcontact. Koppel het apparaat los van de watertoevoer. Laat het product afkoelen:
 - vóór onderhoud
 - voordat u een obstructie verwijdert
 - voor u het product controleert, reinigt of aan het product werkt.

- U mag uitsluitend de afstellingen of herstellingen uitvoeren die in deze gebruiksaanwijzing worden beschreven. Voor andere herstellingen of advies, vraagt u hulp in een geautoriseerd onderhoudscentrum.
- Voor veilig gebruik de hogedrukreiniger regelmatig inspecteren en onderhouden. RYOBI raadt aan het apparaat elke 6 maanden te inspecteren.
- Controleer regelmatig of alle moeren, bouten en vijzen goed zijn vastgemaakt om zeker te zijn dat het product veilig kan worden gebruikt. Een beschadigd onderdeel moet door een geautoriseerd onderhoudscentrum goed worden gerepareerd of vervangen.
- Overloopklep met drukschakelaar
 - De overloopklep voorkomt dat de toelaatbare werkdruk wordt overschreden. Als de hendel op de trekkerhandgreep wordt losgelaten, schakelt de drukschakelaar de pomp uit en stopt de hogedrukstraal. Als de hendel wordt overgehaald, wordt de pomp weer ingeschakeld.
- Overbelastingsbescherming
 - Een thermische sensor beschermt het product tegen overbelasting. Tijdens oververhitting wordt het product automatisch uitgeschakeld.

SYMBOLEN OP HET PRODUCT



Lees en begrijp alle aanwijzingen voordat u het product gebruikt. Volg alle waarschuwingen en veiligheidsinstructies.



Klasse II-apparaat, dubbele isolatie



Draag gezichts- en gehoorbescherming.



Apparaat onder stroom



Het apparaat is zonder terugstroombeveiliging niet geschikt voor aansluiting op het drinkwaternet.



Richt de spuitsteel nooit op mensen, dieren, het apparaat zelf, de voeding, of een elektrisch apparaat.



Beoordeelde druk



Draai het onderste deel van de sproeikop helemaal naar rechts om de lagedrukmodus voor schuim/reinigingsmiddel te activeren.



CE-markering

KEN UW PRODUCT

Zie pagina 145.

1. Handvat
2. Netsnoerhouder
3. Drukknop aan
4. Gebruiksaanwijzing
5. Handvat schroef
6. Watertoevoerfilter
7. Watertoevoerpoort
8. Stroomsnoer
9. Knop voor ontgrendeling van de slang
10. Wateruitvoerpoort
11. Trigger pistoolhouder
12. Verlengstuklans
13. Vergrendeling van trekkerhandgreep
14. Aan-/uit-hendel
15. Knop voor vergrendeling van de slang
16. Hogedrukslang
17. Variolans
18. Tuinslang
19. RYOBI reinigingsmiddel
20. Verbindingsstuk tuinslang
21. Turbolans
22. Reinigingsmiddelfles

OPMERKING: Raadpleeg bij het gebruik van een wasmiddel het veiligheidsinformatieblad van het wasmiddel.

VEILIGHEIDSVORZIENINGEN

- Drukknop aan
 - De aan-/uitschakelaar voorkomt onbedoeld gebruik van het apparaat.
- Vergrendeling van trekkerhandgreep
 - De vergrendeling van de trekkerhandgreep vergrendelt de trekker en voorkomt onbedoeld openen van de hogedrukspuit.



Brits conformiteitskeurmerk



EurAsian-symbool van overeenstemming



Oekraïens conformiteitskeurmerk



Gegarandeerd geluidsniveau



Elektrisch afval mag niet samen met ander huishoudafval worden weggegooid. Gelieve te recyclen indien de mogelijkheid bestaat. Neem contact op met uw lokaal bestuur of handelaar om advies te krijgen over recycling.

SYMBOLEN IN DEZE GEBRUIKSAANWIJZING



Draag zware antislip beschermhandschoenen.



Onderdelen of accessoires afzonderlijk verkocht



Met een contactdoos verbinden



Trek uit de contactdoos



Opmerking



Waarschuwing

- EN
- FR
- DE
- ES
- IT
- NL**
- PT
- DA
- SV
- FI
- NO
- RU
- PL
- CS
- HU
- RO
- LV
- LT
- ET
- HR
- SL
- SK
- BG
- UK
- TR

PROBLEEMOPLOSSEN

PROBLEEM	Mogelijke oorzaak	OPLOSSING
Wisselende druk	Pomp zuigt lucht	Controleer of slangen en aansluitingen luchtdicht zijn.
	Ventielen zijn vuil, versleten, of verstopt	Voor onderhoud brengt u het product naar een geautoriseerd onderhoudscentrum.
	Versleten pompdichtingen	Voor onderhoud brengt u het product naar een geautoriseerd onderhoudscentrum.
Machine stopt	Warmtesensor geactiveerd	Laat de reiniger 15 minuten afkoelen.
	Spuitstuk gedeeltelijk geblokkeerd	Reinig het spuitstuk.
Pulserend product	Lucht in toevoerslang/pomp	Gebruik het apparaat met open trekker totdat normale werkdruk wordt bereikt.
	Onvoldoende watertoevoer	Controleer of de watertoevoer voldoet aan de vereiste specificaties (zie typeplaatje). Vermijd het gebruik van lange, dunne slangen.
	Spuitstuk gedeeltelijk geblokkeerd	Reinig het spuitstuk.
	Waterfilter geblokkeerd	Reinig het filter.
	Slang geknikt	Verwijder kinkken in de slang.
Product start wel, maar er komt geen water uit	Bevroren pomp/slangen of accessoire	Wacht tot de pomp, slangen of andere accessoire ontdooien.
	Geen watertoevoer	Sluit de watertoevoer aan op een watervoorziening.
	Waterfilter geblokkeerd	Reinig het filter.
	Spuitstuk geblokkeerd	Reinig het spuitstuk.

No design da sua lavadora de alta pressão eléctrica demos prioridade à segurança, ao desempenho e à fiabilidade.

USO PREVISTO

A lavadora de alta pressão eléctrica destina-se a ser utilizada apenas ao ar livre. Por motivos de segurança, o produto tem obrigatoriamente de ser controlado adequadamente, utilizando ambas as mãos durante a operação.

O produto foi concebido para uso doméstico. Destina-se a limpar máquinas, veículos, edifícios, pavimentos, ferramentas, fachadas, terraços e passeios de betão, removendo sujidade difícil utilizando água limpa, com ou sem detergente de limpeza.

O produto deve ser utilizado em condições bem iluminadas.

Não a use para nenhuma outra finalidade.

⚠ ADVERTÊNCIA! O produto destina-se a ser utilizado com um produto de limpeza neutro, fornecido ou recomendado pelo fabricante. A utilização de outros produtos de limpeza ou produtos químicos pode ter um impacto negativo na segurança do produto.

AVISOS GERAIS DE SEGURANÇA

⚠ ADVERTÊNCIA! Leia todos os avisos de segurança e todas as instruções. O facto de não seguir os avisos e as instruções pode conduzir a choque eléctrico, fogo e/ou lesão grave.

- O produto não se destina a ser utilizado por crianças nem por pessoas que tenham capacidades reduzidas a nível físico, sensorial ou mental, ou que sejam inexperientes ou desconhecedoras. As crianças devem ser mantidas sob vigilância adequada para se garantir que não brincam com o produto.
- Quando utilizar o produto, utilize sempre equipamento completo de protecção individual, como botas, luvas de segurança, capacete de segurança com viseira e protecção para os ouvidos. Use viseiras para alto-impacto apenas com protecção contra salpicos de líquidos.

⚠ ADVERTÊNCIA! Não utilize o produto quando houver pessoas dentro do raio de alcance, a menos que utilizem vestuário de protecção.

- Para reduzir o risco de ferimentos, mantenha crianças e visitantes à distância. Qualquer visitante deve usar óculos de protecção e permanecer a uma boa distância da zona de trabalho.
- Certifique-se de que os dispositivos de segurança estão em bom estado de funcionamento. Antes de cada utilização, certifique-se de que todos os dispositivos de segurança estão a funcionar correctamente.
- Não use o produto se alguma peça importante estiver danificada (por exemplo, os dispositivos de segurança, as mangueiras de alta pressão ou a pistola do gatilho).
- Tenha cuidado quando abrir o gatilho. Agarre a pega do gatilho com firmeza, com as duas mãos, para evitar ferimentos causados pelo ressalto da pega do gatilho.

⚠ ADVERTÊNCIA! Durante a utilização de lavadoras de alta pressão podem formar-se aerossóis. A inalação de aerossóis pode ser prejudicial para a saúde. Dependendo da aplicação, podem ser usados bocais escudados para a lavagem a alta pressão, o que irá reduzir a emissão de aerossóis de água. Contudo, nem todas as aplicações permitem a utilização desse tipo de dispositivo. Se os bocais escudados não estiverem disponíveis como protecção contra aerossóis, poderá ser precisa uma máscara respiratória da classe FFP 2 ou equivalente, dependendo do ambiente da lavagem.

- Desligue sempre o produto quando o deixar desacompanhado.
- O jacto de alta pressão é perigoso se for mal utilizado. Não aponte o jacto a pessoas, a equipamento eléctrico ligado à corrente, nem ao próprio produto.
- Para evitar o risco de explosão, não pulverize líquidos inflamáveis.
- Não aponte o jacto a si próprio nem a outras pessoas, por exemplo para limpar a roupa ou o calçado.
- Não use o produto para limpar aparelhos electrónicos, roupas ou calçado.
- As mangueiras de alta pressão, os terminais e os acoplamentos são importantes para a segurança do produto. Use apenas mangueiras, terminais e acoplamentos recomendados pelo fabricante.

- O uso prolongado de uma ferramenta pode causar o agravar lesões. Ao usar qualquer ferramenta durante períodos prolongados, assegure-se que faz intervalos regulares.

⚠ ATENÇÃO O produto não pode ser utilizado com ligação à rede de abastecimento de água potável sem que esteja instalado um dispositivo anti-retorno que satisfaça a norma EN 12729 Tipo BA. A água que corre através de um dispositivo anti-retorno é considerada não potável. Quando fizer a ligação do produto à rede de abastecimento de água potável, cumpra sempre os regulamentos da entidade local de abastecimento de água.

AVISOS DE SEGURANÇA ELÉCTRICA

- As ligações devem ser adequadas para a tomada de corrente. Nunca altere a ficha seja de que maneira for. As fichas não modificadas e tomadas compatíveis reduzirão o risco de choque eléctrico.
- Não use o produto se o cabo de alimentação ou outra peça importante estiver danificada (por exemplo os dispositivos de segurança).
- Antes de cada utilização, inspeccione o cabo de alimentação eléctrica e o cabo de extensão eléctrica, procurando danos. Se o cabo de alimentação eléctrica ou o cabo de extensão eléctrica estiver danificado, tem de ser substituído pelo fabricante, pelo agente de assistência técnica do fabricante ou por uma pessoa com qualificações semelhantes, para evitar um perigo de incêndio ou choque eléctrico.
- Antes de cada uso, examine o cabo para ver se está danificado. Caso existam sinais de danos, este deve ser substituído por um técnico qualificado num centro de assistência autorizado para evitar perigos.
- Mantenha o cabo eléctrico afastado do calor, óleo e pontas afiadas.
- Nunca toque na ficha e na tomada da alimentação eléctrica de rede com as mãos molhadas!
- Cabos de extensão eléctrica do tipo inadequado podem ser perigosos. Se for utilizado um cabo de extensão eléctrica, então tem de ser adequado para utilização ao ar livre, e a ligação tem de ser mantida seca e afastada do chão. Use um cabo de extensão eléctrica do tipo com bobinador à vertical, para manter a tomada a pelo menos 60 mm acima do chão.

- A ligação à alimentação eléctrica tem obrigatoriamente de ser feita por um electricista qualificado e tem de estar em conformidade com a norma IEC 60364-1. É recomendado que a alimentação eléctrica do produto inclua um dispositivo de protecção diferencial residual (RCD) que interrompa a alimentação se a fuga de corrente à terra exceder 30 mA durante 30 ms, ou por um dispositivo que comprove o circuito de terra.

AVISOS DE SEGURANÇA ADICIONAIS

- Algumas regiões têm normas que limitam o uso do produto. Consulte a sua autoridade local para obter informação.
 - Antes de cada utilização, verifique o produto para identificar sinais de danos. Uma mangueira de alta pressão danificada tem obrigatoriamente de ser substituída imediatamente! Certifique-se de que todas as ligações (por exemplo, mangueira de alta pressão e bocal) estão apertadas com firmeza e em segurança. Desenrole a mangueira correctamente, para que não possa ficar torcida nem vincada.
 - Não permita que crianças ou indivíduos inexperientes entrem em contacto com este produto.
 - Antes de começar qualquer operação de limpeza, feche portas e janelas. Limpe e desimpeça a área a ser limpa, removendo resíduos, brinquedos, mobiliário de jardim ou outros objectos que possam constituir um perigo.
 - Nunca levante nem transporte o aparelho com o motor em funcionamento.
 - Não use o produto em temperaturas abaixo de 0 °C.
 - Não use ácidos, alcalinos, solventes, materiais inflamáveis, branqueadores, nem soluções de graduação industrial no produto. Estes produtos podem causar ferimentos ao operador e danos irreversíveis ao produto.
 - Utilize sempre o produto numa superfície plana e nivelada.
- ⚠ ADVERTÊNCIA!** O jacto de alta pressão pode ser perigoso se for utilizado incorrectamente. O jacto não pode nunca ser apontado a pessoas, animais, aparelhos eléctricos, nem ao próprio produto!
- Agarre a pega do gatilho com firmeza e em segurança, com ambas as mãos. Quando premir o gatilho, conte com o movimento

da pega do gatilho, devido às forças de reacção. Se não o fizer, isso poderá causar uma perda de controlo e causar ferimentos a si próprio e a outras pessoas.

- Antes de ligar o produto, certifique-se de que ar dentro da mangueira e da bomba é libertado. Para libertar o ar aprisionado dentro da mangueira e da bomba, use uma mangueira de jardim para fazer a ligação entre o abastecimento de água e a bomba, use a mangueira de alta pressão para fazer a ligação entre a pega do gatilho e a bomba, destrave o travão de bloqueio do gatilho da pega e, em seguida, prima o gatilho até haver um caudal constante.
- Tenha cuidado, para evitar escorregar ou cair.
- Mantenha-se bem apoiado e equilibrado. Não se aproxime em demasia. Tentar esticar-se demais pode provocar a perda de equilíbrio.
- Use apenas os acessórios aprovados pelo fabricante. A utilização de acessórios inadaptados pode provocar riscos de ferimentos.
- Nunca deixe o produto a trabalhar desacompanhado. Desligue o produto. Não se afaste do produto enquanto o produto não tiver parado completamente.
- Familiarize-se com os controlos. Saiba como parar o produto e purgar a pressão rapidamente.
- Seja sempre vigilante e exerça o controlo da sua ferramenta. Veja bem o que está a fazer e use o seu bom senso.
- Não utilize o produto se sentir fadiga, doente ou se estiver sob a influência de estupefacientes, álcool ou medicamentos. Um momento de desatenção enquanto opera o produto pode resultar em ferimentos graves.
- Não use o aparelho caso o interruptor não ligue ou desligue o aparelho. Qualquer produto que não possa ser controlado com o interruptor é perigoso e deve ser reparado.
- Quando lavar veículos, mantenha uma distância mínima de 30 cm. O jacto de alta pressão pode danificar ou rebentar os pneus do veículo e/ou as válvulas dos pneus.
- Utilize uma mangueira de jardim com um comprimento máximo de 15 m e um diâmetro mínimo de 18 mm (3/4 de polegada).

- Antes de cada utilização, certifique-se de que o acessório está montado com firmeza e em segurança na pistola do gatilho.

PROTECÇÃO CONTRA SOBRECARGA

O produto tem um dispositivo de protecção contra sobrecarga que se activa quando ocorre um pico de corrente ou sobreaquecimento, cortando automaticamente a corrente ao produto. Para reiniciar o funcionamento, desligue o produto da tomada de corrente, espere uns 15 minutos e volte a ligar o produto à tomada eléctrica.

TRANSPORTE E ARMAZENAMENTO

⚠ ADVERTÊNCIA! Para evitar acidentes e ferimentos, quando escolher o local para armazenamento e durante o transporte, tenha sempre em mente o peso do produto.

- Desligue o produto, desencaixe a ficha do produto da tomada da rede eléctrica e deixe o produto arrefecer. Antes de armazenar ou transportar o produto, desfaça a ligação do produto ao abastecimento de água. Nunca coloque o produto em nenhuma outra posição sem ser à vertical.
- Limpe todos os materiais estranhos do produto. Guarde-o num local fresco e seco e bem ventilado a que as crianças não consigam aceder. Mantenha o produto afastado de agentes corrosivos tais como produtos químicos de jardim e sais de remoção de gelo. Não guarde o produto em espaços exteriores.
- Antes de armazenar o produto, esvazie a água de todas as mangueiras e da bomba, e esvazie também o depósito de detergente.
- Para transportar, prenda o aparelho de modo a evitar que este se mova ou caia, para evitar lesões ou danos no produto.
- Guarde o produto apenas em espaços interiores. O armazenamento do produto numa área com temperaturas abaixo de 0 °C irá danificar o produto.

MANUTENÇÃO

- Utilize apenas peças de substituição, acessórios e encaixes do fabricante original. A inobservância desta indicação pode causar um fraco desempenho, possíveis lesões e poderá anular a sua garantia.

- Os serviços de manutenção requerem extremo cuidado e conhecimentos e devem apenas ser realizado por um técnico de assistência qualificado. Repare o seu produto exclusivamente num centro de assistência autorizado.
- Desligue o produto e retire a ficha da tomada elétrica. Desligue o produto do abastecimento de água. Permita que o produto arrefeça:
 - antes de fazer reparações ou manutenção
 - antes de desobstruir bloqueios
 - antes de verificar, limpar ou funcionar com o produto
- Só pode proceder aos ajustes ou reparações descritas neste manual. Para outros reparos ou conselhos, procurar a ajuda de um centro de serviço autorizado.
- Para garantir a utilização em segurança, inspeccione e faça manutenção com regularidade à lavadora de alta pressão. A RYOBI recomenda a inspecção do produto a cada 6 meses.
- Verifique todas as porcas, pregos e parafusos com intervalos frequentes para confirmar a tensão apropriada e se certificar que o produto está em condições seguras de funcionamento. Qualquer peça danificada deve ser substituída ou reparada adequadamente por um centro de serviço autorizado.

CONHEÇA O SEU APARELHO

Ver a página 145.

1. Pega de transporte
2. Suporte do cabo de alimentação eléctrica
3. Botão de premir Liga
4. Manual do operador
5. Parafuso da pega
6. Filtro da entrada de água
7. Orifício da entrada de água
8. Cabo de alimentação
9. Botão de libertação da mangueira
10. Orifício da saída de água
11. Suporte da pistola de gatilho
12. Lança de extensão
13. Bloqueio da pega do gatilho
14. Gatilho
15. Botão de bloqueio da mangueira
16. Mangueira de alta pressão
17. Lança Vario
18. Mangueira de jardim
19. Detergente RYOBI

20. Conector da mangueira de jardim
21. Lança Turbo
22. Garrafa de detergente

NOTA: Se utilizar detergente, consulte a Ficha de Dados de Segurança de Materiais do detergente.

DISPOSITIVOS DE SEGURANÇA

- Botão de premir Liga
 - O interruptor de Ligado/Desligado (ON/OFF) impede a utilização accidental do produto.
- Bloqueio da pega do gatilho
 - O bloqueio da pega do gatilho trava o gatilho e impede a abertura accidental do jacto de alta pressão.
- Válvula de caudal excessivo, com interruptor de pressão
 - A válvula de caudal excessivo impede que a pressão de trabalho permissível seja excedida. Se o manípulo na pistola do gatilho for libertado, o interruptor de pressão desliga a bomba e o jacto de alta pressão pára. Se o manípulo for premido, a bomba liga-se novamente.
- Protecção contra sobrecarga
 - Um sensor térmico protege o produto contra sobrecargas. O produto irá desligar-se automaticamente em caso de sobreaquecimento.

SÍMBOLOS NO PRODUTO



Antes de utilizar este produto, leia e compreenda todas as instruções neste Manual. Siga todos os avisos e todas as instruções de segurança.



Ferramenta de tipo II, duplo isolamento



Protecção para os olhos e ouvidos.



Em tensão



O produto não é adequado para ligação à rede de abastecimento de água potável sem um dispositivo anti-retorno.



Nunca aponte a varinha de vaporização a pessoas, a animais, ao corpo da máquina, à fonte de alimentação eléctrica, nem a aparelhos eléctricos!



Pressão nominal



Rode a parte inferior do botão do bocal totalmente para a direita para ativar o modo de baixa pressão para obter espuma/detergente.



Marca europeia de conformidade



Marca britânica de conformidade



Marca de conformidade EurAsian



Marca ucraniana de conformidade



Nível de potência sonora garantido



Os aparelhos eléctricos antigos não devem ser eliminados juntamente com o lixo doméstico. Recicle onde existem instalações para o efeito. Verifique com as suas Autoridades Locais ou revendedor para obter informações sobre reciclagem.



Desligar da tomada de corrente



Nota



Aviso

SÍMBOLOS NESTE MANUAL



Utilize luvas protectoras antideslizantes resistentes.



As peças ou acessórios vendem-se separadamente



Ligar à tomada de corrente

RESOLUÇÃO DE PROBLEMAS

PROBLEMA	Possível causa	SOLUÇÃO
Pressão instável	A bomba está a chupar ar	Certifique-se de que as mangueiras e as ligações são estanque (ou seja, que não têm fugas de ar).
	Válvulas sujas, gastas ou encravadas	Para operações de serviço, leve o produto a um centro de serviço autorizado.
	Vedantes da bomba gastas	Para operações de serviço, leve o produto a um centro de serviço autorizado.
A máquina pára	Sensor térmico activado	Deixe a lavadora arrefecer durante 15 minutos.
	O fusível queimou-se	Limpe o bocal.
Pulsação do produto	Há ar aprisionado dentro da mangueira de entrada/dentro da bomba	Deixe o produto trabalhar com o gatilho aberto até voltar à pressão de trabalho normal.
	O abastecimento de água da rede é insuficiente	Certifique-se de que o abastecimento de água corresponde às especificações necessárias (veja a placa de características do modelo do produto). Evite usar mangueiras compridas e finas.
	O fusível queimou-se	Limpe o bocal.
	O filtro de água está entupido	Limpe o filtro.
	A mangueira está dobrada	Endireite a mangueira.
O produto arranca, mas não sai água	Bombas/tubos ou acessórios congelados	Espere até a bomba, as mangueiras ou outros acessórios descongelarem.
	Não há abastecimento de água	Faça a ligação do orifício da entrada de água a uma fonte de abastecimento de água.
	O filtro de água está entupido	Limpe o filtro.
	O bocal está entupido	Limpe o bocal.

Ved udformningen af din elektriske højtryksrenser har vi givet topprioritet til sikkerhed, ydelse og driftssikkerhed.

TILTÆNKT ANVENDELSESFORMÅL

Den elektriske højtryksrenser er kun beregnet til udendørsbrug. Af sikkerhedsmæssige årsager skal produktet betjenes med to hænder, så man kan kontrollere det ordentligt.

Produktet er beregnet til privat eller hjemlig brug. Den er beregnet til at rense maskiner, køretøjer, bygninger, gulve, værktøjer, facader, terrasser og betonstier ved at fjerne genstridigt snavs ved hjælp af rent vand med eller uden rengøringsmiddel.

Produktet bør bruges under velbelyste forhold.

Må ikke bruges til andre formål.

⚠ ADVARSEL! Produktet er beregnet til at blive brugt sammen med et neutralt rengøringsmiddel leveret eller anbefalet af producenten. Brugen af andre rengøringsmidler eller kemikalier kan påvirke produktets sikkerhed.

GENERELLE SIKKERHEDSADVARSLER

⚠ ADVARSEL! Alle sikkerhedsadvarsler og alle anvisninger skal læses. Manglende overholdelse af advarslerne og anvisningerne kan medføre elektrisk stød, brand og/eller alvorlige personskader.

- Produktet er ikke beregnet til brug af børn eller personer med begrænsede fysiske, sensoriske eller psykiske evner eller manglende erfaring og viden. Børn bør holdes under tilstrækkeligt opsyn, så man er sikker på, at de ikke leger med produktet.
- Brug komplet personligt beskyttelsesudstyr ved betjening af produktet såsom støvler, beskyttelseshandsker, sikkerhedshjelm med visir og høreværn. Brug kun stødsikre visirer med stænkbeskyttelse.

⚠ ADVARSEL! Anvend ikke maskinen i nærheden af personer, medmindre disse bærer beskyttelsestøj.

- Hold børn og tilskuere på sikker afstand for at reducere risikoen for personskader. Alle tilskuere bør bære sikkerhedsbriller og holde sig på sikker afstand af arbejdsområdet.
- Sørg for, at sikkerhedsanordningerne er i god stand. Sørg for, at alle sikkerhedsanordninger fungerer korrekt før hver brug.

- Brug ikke produktet, hvis vigtige dele er beskadiget såsom sikkerhedsanordninger, højtryksslanger eller sprøjtepistolen.

- Vær forsigtig ved åbning af aftrækket. Hold ordentlig fast på pistolhåndtaget med to hænder for at undgå personskader, når pistolhåndtaget slår tilbage.

⚠ ADVARSEL! Under brug af højtryksrensere kan sprøjetåger dannes. Indånding af sprøjetåger kan være farlige for helbredet. Alt efter anvendelse kan skærmede dyser bruges til højtryksrensning, hvilket reducerer udledningen af vandholdige sprøjetåger. Skærmede dyser er dog ikke egnede til alle anvendelsesformål. Hvis afskærmede dyser er ikke egnede til beskyttelse mod sprøjetåger, kan åndedrætsværn i klasse FFP 2 eller tilsvarende være nødvendigt, afhængig af arbejdsmiljøet.

- Stop altid produktet, hvis du efterlader det uden opsyn.
- Højtryksstråler er farlige ved misbrug. Vandstrålen må ikke rettes mod personer, strømførende elektrisk udstyr eller selve produktet.
- Sprøjt ikke med brandbare væsker for at undgå risikoen for eksplosion.
- Ret ikke vandstrålen mod dig selv eller andre for at rense/rengøre tøj eller fodtøj.
- Brug ikke produktet til at rense elektronisk udstyr, tøj eller fodtøj.
- Højtryksslanger, fittings og koblinger er vigtige for produktets sikkerhed. De benyttede slanger, fittings og koblinger skal være anbefalet af producenten.
- Længere tids brug af et værktøj kan forårsage - eller forværre - personskader. Når man bruger et værktøj i længere perioder ad gangen, skal man huske at holde hyppige pauser.

⚠ FORSIGTIG Produktet må ikke tilsluttes en drikkevandsforsyning uden en tilbageløbsventil i henhold til EN 12729, type BA. Vand, der strømmer gennem en tilbageløbsventil, kan ikke drikkes. Følg altid forskrifterne fra det lokale vandværk, når du tilslutter produktet til vandforsyningsnettet.

SIKKERHEDSADVARSLER FOR ELUDSTYR

- Elværktøjets elstik skal passe til stikkontakten. Elstikket må aldrig modificeres på nogen som helst måde. Umodificerede

elstik og passende elnetkontakter reducerer faren for elektrisk stød.

- Brug ikke produktet, hvis ledningen eller andre vigtige dele er beskadiget såsom sikkerhedsanordninger.
- Kontrollér ledningen og forlængerledningen for skader før hver enkelt brug. Hvis strømledningen eller forlængerledningen er beskadiget, skal den udskiftes af producenten, dennes serviceværksted eller en tilsvarende kvalificeret fagmand for at undgå ulykker.
- Inden hver brug skal man kontrollere elkablet for evt. beskadigelser. Hvis det opviser tegn på skader, skal det udskiftes af en autoriseret person på et autoriseret servicecenter for at undgå farlige situationer.
- Hold strømforsyningsledningen på afstand af varme, olie og skarpe kanter.
- Rør aldrig stikkontakten eller stikket med våde hænder.
- Mangelfulde forlængerledninger kan være farlige. Brug kun forlængerledninger, der er beregnet til udendørsbrug. Hold stikket tørt og væk fra jordoverfladen. Brug en ledningstrømler til at holde stikket mindst 60 mm over jordoverfladen.
- El-tilslutningen skal udføres af en aut. elektriker og overholde IEC 60364-1. Det anbefales, at produktets el-tilslutning enten bør omfatte en fejlstrømsafbryder, der afbryder strømmen, hvis lækstrømmen til jord overstiger 30 mA i 30 ms, eller et HFI-relæ.

EKSTRA SIKKERHEDSADVARSLER

- Nogle områder har regler, som begrænser brugen af produktet. Forhør dig hos de lokale myndigheder.
- Kontrollér produktet for skader før hver brug. Højtryksslangen skal udskiftes med det samme, hvis den er beskadiget. Sørg for, at alle tilslutninger såsom højtryksslange og strålemundstykke er fastgjorte. Rul slangen ordentlig ud, så den ikke bliver snoet eller bøjet.
- Lad ikke børn eller uskoledede personer bruge dette produkt.
- Luk døre og vinduer, før du starter højtryksrensningen. Ryd området, der skal renses, for affald, legetøj, udendørsmøbler, eller andre genstande, som kan udgøre en fare.
- Løft eller bær aldrig produktet med kørende motor.

- Du må ikke bruge produktet i temperaturer under 0 °C.
- Brug ikke syrer, basiske produkter, opløsningsmidler, brandfarligt materiale, blegemidler eller industriopløsninger med dette produkt. Disse produkter kan skade brugeren og påføre produktet permanent skade.

- Brug kun produktet på en plan overflade.

⚠ **ADVARSEL!** Højtryksstråler kan være farlige ved misbrug. Vandstrålen må ikke rettes mod personer, dyr, strømførende elektrisk udstyr eller selve produktet.

- Hold godt fast i pistolhåndtaget med begge hænder. Vær forberedt på, at pistolhåndtaget bevæger sig på grund af reaktionskræfter, når der trykkes på aftrækket. Er du ikke det, kan du miste kontrollen og skade dig selv og andre.
- Sørg for at frigøre luften i slangen og pumpen, før du tænder for produktet. For at fjerne luft i slangen og pumpen: Tilslut pumpen ved hjælp af haveslangen, tilslut pistolhåndtaget til pumpen ved hjælp af højtryksslangen, deaktiver pistolhåndtagets lås, og tryk på aftrækkeren, indtil der er et stabilt gennemløb.
- Vær forsigtig for ikke at glide eller falde.
- Hold et godt fodfæste og balance. Overstræk ikke. Overstrækning kan føre til tab af balancen.
- Anvend kun tilbehør godkendt af producenten. Brug af ukorrekte tilbehørsdele kan medføre personskader.
- Lad aldrig produktet køre uden opsyn. Sluk produktet. Forlad ikke produktet, før det er stoppet fuldstændigt.
- Bliv fortrolig med betjeningshåndtag. Du skal vide, hvordan man hurtigt stopper produktet og frigiver trykket.
- Vær opmærksom og i kontrol. Hold øje med, hvad du gør, og brug sund fornuft.
- Anvend ikke produktet, hvis du er træt, syg eller du har taget stoffer, drukket alkohol eller taget medicin. Et øjebliks uopmærksomhed under anvendelse af produktet kan medføre alvorlige personskader.
- Undlad at bruge produktet, hvis TÆND/SLUK-kontakten ikke virker. Et produkt, som ikke kan betjenes med TÆND-/SLUK-kontakten, er farligt og skal repareres.
- Hold en afstand på min. 30 cm. ved rengøring af køretøjer. Højtryksstrålen kan

beskadige eller sprænge bildæk og/eller dækventiler.

- Brug en haveslange med en maks. længde på 15 m og en minimumsdiameter på 18 mm (3/4 in.)
- Kontroller inden hver brug, at tilbehøret er forsvarligt fastgjort il aftrækkerpistolen.

OVERBELASTNINGSBESKYTTELSE

Produktet har en overbelastningsbeskyttelse, som aktiveres i tilfælde af strøm-spike, og den afbryder automatisk strømforsyningen internt i produktet. Man genstarter produktet ved at afbryde det fra strømforsyningen, vente i ca. 15 minutter, og atter slutte produktet til strømforsyningen.

TRANSPORT OG OPBEVARING

⚠ **PAS PÅ!** Tænk over produktets vægt ved valg af opbevaringssted og under transport for at forhindre ulykker og personskader.

- Stop produktet, træk stikket ud af stikkontakten, og lad produktet køle af. Frakobl produktet fra vandforsyningen før opbevaring eller transport. Produktet må kun placeres i opretstående stilling.
- Afrens alle fremmedlegemer fra produktet. Opbevar den på et køligt, tørt og godt ventileret sted utilgængeligt for børn. Sørg for, at produktet ikke kommer i nærheden af korrosive stoffer såsom havekemikalier og strøsalt. Opbevar ikke produktet udendørs
- Fjern vand fra alle slanger og pumpen, og tøm rengøringsmiddeltanken før produktet opbevares.
- Til transport skal man sikre produktet, så den ikke kan bevæge sig eller vælte; dette for at forebygge personskader eller skader på produktet.
- Produktet må kun opbevares indendørs. Hvis produktet opbevares et sted med temperatur under 0° C, vil det blive beskadiget.

VEDLIGEHODELSE

- Brug kun originale reservedele, ekstraudstyr og tilbehør fra producenten. I modsat fald er der fare for personskader, dårlig maskinydelse og annullering af garantien.
- Vedligeholdelse kræver stor omhyggelighed og viden og bør kun udføres af en kvalificeret tekniker. Lad kun et autoriseret serviceværksted servicere produktet.

- Sluk for produktet, og træk stikket ud af kontakten. Frakobl produktet fra vandforsyningen. Lad produktet køle af.
 - før betjening
 - før rydning af en blokering
 - inden kontrol, rengøring eller arbejde på produktet
- Man kan selv foretage de justeringer eller reparationer, der er beskrevet i denne brugsanvisning. For andre reparationer eller råd skal man søge assistance på et autoriseret servicecenter.
- Efterse og vedligehold regelmæssigt højtryksrensere for at opnå en sikker drift. RYOBI anbefaler, at produktet efterses hver 6. måned.
- Tjek ofte alle møtrikker, bolte og skruer om de sidder godt fast, og sørg for at produktet fungerer ordentligt. Enhver del, som bliver beskadiget, skal repareres korrekt eller udskiftes hos et autoriseret servicecenter.

KEND PRODUKTET

Se side 145.

1. Bærehåndtag
2. Holder til strømledning
3. Tænd/sluk-kontakt
4. Brugsanvisning
5. Håndtagsskrue
6. Vandindløbsfilter
7. Vandindløbsport
8. Elledning
9. Udløserknop til slange
10. Vandudløbsport
11. Holder til aftrækkerpistol
12. Forlængelseslange
13. Pistolhåndtagets lås
14. Udløser
15. Låseknop til slange
16. Højtryksslange
17. Vario-lanse
18. Haveslange
19. RYOBI rengøringsmiddel
20. Tilslutning til haveslange
21. Turbolanse
22. Flaske med rengøringsmiddel

BEMÆRK: Ved brug af vaskemiddel henvises der til materialesikkerhedsbladet for vaskemidlet.

SIKKERHEDSUDSTYR

- Tænd/sluk-kontakt
 - Tænd/sluk-kontakten forhindrer utilsigtet aktivering af produktet

- Pistolhåndtagets lås
 - Pistolhåndtagets lås låser aftrækkeren og forhindrer utilsigtet åbning af højtryksstrålen.
- Overstrømsventil med trykkontakt
 - Overstrømsventilen forhindrer, at det tilladte arbejdsstryk overskrides. Hvis håndtaget på pistolhåndtaget slippes, vil trykkontakten slukke for pumpen, og højtryksstrålen vil stoppe. Hvis der trækkes i håndtaget, tændes der for pumpen igen.
- Overbelastningsbeskyttelse
 - En termosensor beskytter produktet mod overbelastning. Produktet afbryder automatisk strømmen ved overophedning.

SYMBOLER PÅ PRODUKTET



Læs og forstå alle anvisninger inden betjening af produktet. Overhold alle advarsler og sikkerhedsanvisninger.



Klasse II-værktøj, dobbelt-isoleret



Bær øjen- og høreværn.



Strøm til stede



Produktet er ikke egnet til at blive tilsluttet drikkevandsforsyningen, hvis der ikke er installeret en enhed til at forhindre tilbagestrømning.



Ret aldrig sprøjtelansen mod andre personer, dyr, selve højtryksrenseren, strømforsyningen eller andre elapparater.



Dimensioneringstryk



Drej den nederste del af dysen helt til højre for at aktivere lavtrykstilstand til skumdannelse/vaskemiddel.



Europæisk overensstemmelsesmærkning



Britisk overensstemmelsesmærkning



EurAsian overensstemmelsesmærke



Ukrainsk overensstemmelsesmærkning



Garanteret støjniveau



Elektriske affaldsprodukter bør ikke afskaffes sammen med husholdningsaffald. Genbrug venligst hvor faciliteterne tillader dette. Tjek med din lokale kommune eller forhandler for genbrugsråd.

SYMBOLER I DENNE BRUGSANVISNING



Brug friktionsfri, kraftige beskyttelseshandsker.



Dele eller tilbehør, der sælges separat



Tilslut til stikkontakt



Træk stikket ud af stikkontakten



Bemærk



Advarsel

FEJLFINDER

Problem	Mulig årsag	Løsning
Svingende tryk	Pumpen suger luft ind	Kontroller, at slanger og tilslutninger er lufttætte.
	Beskidt, slidte eller fastsiddende ventiler	Servicering af produktet skal ske på et autoriseret servicecenter.
	Slidte pumpeforseglinger	Servicering af produktet skal ske på et autoriseret servicecenter.
Maskinen stopper	Termisk sensor aktiveret	Lad renseren være i 15 minutter, så den køler af.
	Dysen er delvist blokeret	Rengør dysen.
Produktet pulserer	Luft i indløbsslange/pumpe	Lad produktet køre med åben aftrækker, indtil der atter er almindeligt arbejdstryk.
	Vandtilførslen er utilstrækkelig	Kontroller, at vandtilførslen svarer til de påkrævede specifikationer (se modelmærket). Undgå at bruge lange tynde slanger.
	Dysen er delvist blokeret	Rengør dysen.
	Vandfilteret er blokeret	Rens filteret.
	Slangen er bøjet	Ret slangen ud.
Produktet starter, men der kommer ikke noget vand ud	Frossen pumpe/slanger eller tilbehør	Vent, til pumpe, slange eller andet tilbehør er tøet op.
	Ingen vandtilførsel	Tilslut vandindløbsporten til en vandforsyning.
	Vandfilteret er blokeret	Rens filteret.
	Dysen er blokeret	Rengør dysen.

Säkerhet, prestanda och pålitlighet har fått högsta prioritet vid utformningen av din elektriska högtryckstvätt.

ANVÄNDNINGSSOMRÅDE

Den elektriska högtryckstvätten är endast avsedd för användning utomhus. Av säkerhetsskäl ska båda händerna användas för korrekt manövrering av produkten.

Produkten är avsedd för hemma- eller privat bruk. Den är avsedd för rengöring av maskiner, fordon, byggnader, golv, verktyg, fasader, terrasser och betongbelagda gångvägar genom att hårdnackad smuts avlägsnas med rent vatten, med eller utan rengöringsmedel.

Produkten bör användas under förhållanden med god belysning.

Får ej användas för annat ändamål.

⚠ VARNING! Produkten är avsedd för användning med ett neutralt rengöringsmedel som levereras eller rekommenderas av tillverkaren. Användning av andra rengöringsmedel eller kemikalier kan påverka produktens säkerhet negativt.

ALLMÄNNA SÄKERHETSFORESKRIFTER

⚠ VARNING! Läs alla säkerhetsvarningar och alla instruktioner. Om du inte följer varningarna och anvisningarna kan du orsaka elektrisk stöt, brand och allvarlig skada.

- Produkten är inte avsedd att användas av barn eller av personer med minskad fysisk, sensorisk eller mental förmåga, eller som saknar erfarenhet och kunskap. Barn ska alltid övervakas så att de inte leker med produkten.
- Använd komplett personlig skyddsutrustning vid drift av produkten, som stövlar, säkerhetshandskar, hjälm med visir och hörselskydd. Använd endast visir som tål högt tryck och skyddar mot vätskestänk.

⚠ VARNING! Använd inte produkten om andra personer befinner sig inom dess räckvidd, om inte dessa bär skyddskläder.

- För att minska olycksrisken, håll barn och besökare på avstånd. Alla åskådare ska använda skyddsglasögon och hålla sig på ett säkert avstånd från arbetsområdet.
- Kontrollera att säkerhetsenheterna är i gott skick. Säkerställ att alla säkerhetsanordningar fungerar korrekt före varje användning.

- Använd inte produkten om viktiga komponenter är skadade, såsom säkerhetsanordningar, högtrycksslangar eller pistolmunstycke.

- Var försiktig vid öppning av reglaget. Håll reglagehandtaget stadigt med båda händerna för att undvika olycksfall när reglagehandtaget studsar tillbaka.

⚠ VARNING! Vid användning av högtryckstvättar kan aerosoler bildas. Inandning av aerosoler kan vara skadligt för hälsan. Beroende på tillämpning kan skyddsmunstycken som minskar utsläppet av vattenhaltiga aerosoler användas vid högtrycksrengöring. En sådan anordning passar emellertid inte för alla tillämpningar. Om skyddsmunstycken inte passar för användning som skydd mot aerosoler kan det hända att en andningsmask i klass FFP 2 eller likvärdig behövs, beroende på omgivningen vid rengöringen.

- Stoppa alltid produkten när du lämnar den utan uppsikt.
- En högtrycksstråle är farlig om den missbrukas. Rikta inte strålen mot människor, inkopplad elektrisk utrustning eller mot själva produkten.
- För att undvika explosionsrisk, spreja inte antändliga vätskor.
- Rikta inte strålen mot dig själv eller andra för att rengöra kläder eller skor.
- Använd inte produkten för att rengöra elektroniska enheter, kläder eller skor.
- Högtrycksslangar, -fästen och -kopplingar är viktiga för produktens säkerhet. Använd endast slangar, fästen och kopplingar som rekommenderas av tillverkaren.
- Risk för person- eller slitageskador vid användning av verktyget under lång tid. Om verktyget används under längre perioder krävs regelbundna pauser.

⚠ OBSERVERA Produkten får inte kopplas till dricksvattenförsörjningen utan att en backventil som förhindrar returflöde, motsvarande EN 12729 Typ BA, har installerats. Vatten som passerar genom en backventil anses som odrickbart. Följ alltid din lokala vattenleverantörs regler när du ansluter produkten till en försörjningsledning för vatten.

SÄKERHETSVARNINGAR FÖR ELEKTRICITET

- Elverktygets kontakt måste passa i uttaget. Modifiera inte kontakten på något sätt.

Omodifierade kontakter och matchande uttag minskar risken för elektrisk stöt.

- Använd inte produkten om elkabeln eller andra viktiga komponenter, som säkerhetsanordningar, är skadade.
- Kontrollera elkabeln och förlängningssladden avseende skador före varje användning. Om ström- eller förlängningssladden är skadad, måste den bytas ut av tillverkaren, dess serviceombud eller liknande kvalificerade personer för att förhindra fara.
- Kontrollera alltid elkabeln före användning. Om det finns tecken på skada ska den bytas ut av utbildad tekniker på godkänt servicecenter för att undvika skaderisk.
- Håll el-kabeln borta från värme, olja och skarpa kanter.
- Vidrör aldrig elkontakt eller uttag med våta händer.
- Olämpliga förlängningssladdar kan vara farliga. Om en förlängningssladd används måste den vara lämplig för utomhusbruk och anslutningen måste hållas torr och ovanför marken. Använd en sladdvinda för att hålla kontakten minst 60 mm ovanför marken.
- Den elektriska anslutningen måste utföras av en kvalificerad elektriker och måste motsvara IEC 60364-1. Det rekommenderas att produktens strömförsörjning endera inkluderar en enhet för restström som avbryter strömmen om läckströmmen till jord överstiger 30 mA under 30 ma, eller en enhet som tillhandahåller en jordströmkrets.

YTTERLIGARE SÄKERHETSFORESKRIFTER

- I vissa regioner finns regleringar som begränsar användning av produkten. Ta kontakt med lokala myndigheter för information.
- Före varje användning, kontrollera produkten avseende skador. En skadad högtrycksslang måste omedelbart bytas ut. Säkerställ att alla anslutningar, som mellan högtrycksslangen och munstycket, är säkra. Rulla ut slangen ordentligt, så att den inte vrids eller knickas.
- Låt inte barn eller icke utbildade personer använda produkten.
- Stäng dörrar och fönster innan du påbörjar någon rengöringsprocess. Avlägsna skräp, leksaker, utemöbler och andra föremål som kan utgöra en risk från det område som ska rengöras.

- Lyft aldrig upp och bär produkten när motorn är i gång.
 - Använd inte produkten vid temperaturer under 0 °C.
 - Använd inte syror, alkaliska medel, lösningsmedel, antändliga ämnen, blekmedel eller lösningar avsedda för industrin i produkten. Dessa produkter kan skada operatören fysiskt och skada produkten oåterkalleligt.
 - Använd alltid produkten på en plan yta.
- ⚠ VARNING!** En högtrycksstråle kan vara farlig om den missbrukas. Strålen får inte riktas mot människor, djur, elektriska enheter eller mot själva produkten.
- Håll reglagehandtaget stadigt med båda händerna. Var beredd på att reglagehandtaget rör sig när reaktionskrafterna verkar på reglaget. Att inte vara beredd kan orsaka att du förlorar kontrollen och skadar dig själv eller andra.
 - Säkerställ att luften i slangen och pumpen släpps ut innan du slår på produkten. För att släppa ut luften ur slangen och pumpen, anslut vattenförsörjningen till pumpen med en trädgårdsslang, anslut reglagehandtaget till pumpen med högtrycksslangen, frigör spärren för reglagehandtaget och tryck på spärren tills flödet är stadigt.
 - Var försiktig så att du inte halkar eller faller.
 - Bibehåll ett bra fotfäste och bra balans. Sträck dig inte. Att sträcka sig kan resultera i balansförlust.
 - Använd endast tillbehör som är godkända av tillverkaren. Användning av felaktiga tillbehör kan orsaka material- och personsador.
 - Lämna aldrig produkten påslagen utan uppsikt. Stäng av produkten. Lämna inte produkten förrän den är helt avstängd.
 - Se till att du förstår kontrollerna. Lär dig hur du stoppar produkten och snabbt släpper ut trycket.
 - Var uppmärksam och ha alltid kontroll. Se upp med vad du gör och använd sunt förnuft.
 - Använd inte produkten när du är trött, sjuk eller är påverkad av droger, alkohol eller medicin. Ett ögonblick av bristande uppmärksamhet vid användning av produkten kan innebära risk för allvarlig personskada.

- Använd inte produkten om reglaget för av och på inte fungerar. En produkt som inte kan styras med strömbrytaren är farlig och ska repareras.
- Håll ett minsta avstånd på 30 cm vid rengöring av fordon. Högtrycksstrålen kan skada eller spränga fordonsdäck och/eller däckventiler.
- Använd en trädgårdsslang med en maximal längd på 15 m och en minsta diameter på 18 mm (3/4 in.)
- Före varje användning, se till att tillbehöret är säkert fäst vid pistolgreppet.

ÖVERBELASTNINGSSKYDD

Produkten har överbelastningsskydd som aktiveras vid överhettning eller effektoppar och då automatiskt stänger av produkten. För att återuppta användning ska produkten kopplas bort från kraftkällan, vänta sedan ca 15 minuter och anslut åter produkten till kraftkällan.

TRANSPORT OCH FÖRVARING

⚠ PÅMINNELSE! Tänk på produktens vikt för att undvika olycksfall och skador när du väljer förvaringsplats och under transport.

- Stoppa produkten, koppla bort den från strömförsörjningen och låt produkten svalna. Koppla loss produkten från vattenförsörjningen före förvaring eller transport. Placera aldrig produkten i något annat läge än upprätt.
- Ta bort allt främmande material från produkten. Förvara den svalt och välventilerat på en plats där barn inte kan komma åt den. Håll produkten borta från frätande ämnen, såsom trädgårdskemikalier och vägsalt. Förvara inte produkten utomhus.
- Töm ut vattnet från alla slangar och från pumpen, och töm behållaren för rengöringsmedel innan du förvarar produkten.
- Vid transport ska produkten säkras mot rörelser eller fallande för att förhindra personskadorna eller att produkten skadas.
- Förvara endast produkten inomhus. Förvaring av produkten på platser med en temperatur under 0 ° skadar produkten.

UNDERHÅLL

- Använd enbart reservdelar och tillbehör från tillverkaren. Om inte kan det eventuellt orsaka skador, sämre resultat och kan upphäva garantin.
- Att serva produkten kräver extrem försiktighet och kunskap och bör endast utföras av en kvalificerad servicetekniker. Produkten får endast repareras på ett auktoriserat servicecenter.
- Stäng av produkten och koppla ur kontakten från strömuttaget. Koppla loss produkten från vattenförsörjningen. Låt produkten svalna:
 - före service
 - före rensning av en blockering
 - före kontroll av, rengöring av eller arbete med produkten
- Du får enbart göra justeringar eller reparationer som nämns i denna manual. För andra reparationer eller för råd ska du alltid vända till auktoriserat servicecenter.
- Inspektera regelbundet och underhåll högtryckstvätten för säker drift. RYOBI rekommenderar att produkten inspekteras var 6:e månad.
- För att vara säker på att produkten är säker att använda, kontrollera alla muttrar, bultar och skruvar regelbundet för att säkerställa att de är åtdragna ordentligt. Skadade delar skall repareras ordentligt eller bytas ut av en auktoriserad servicefirma.

LÄR KÄNNA PRODUKTEN

Se sida 145.

1. Bärhandtag
2. Hållare för strömsladd
3. Omkopplare av/på
4. Användarhandbok
5. Handtagsskruv
6. Filter för vatteninlopp
7. Port för vatteninlopp
8. Strömkabel
9. Lösgöringsknapp för slang
10. Port för vattenutlopp
11. Pistolgreppshållare
12. Förlängningsslans
13. Spärr för reglagehandtag
14. Avtryckare
15. Låsknapp för slang
16. Högtrycksslang
17. Variolans
18. Trädgårdsslang

19. RYOBI-rengöringsmedel
20. Trädgårdsslanganslutning
21. Turbolans
22. Rengöringsmedelsflaska

OBS: Vid användning av rengöringsmedel, se materialdatabladet för rengöringsmedlet.

SÄKERHETSENHETER

- Omkopplare av/på
 - PÅ/AV-strömbrytaren förhindrar oavsiktlig påslagning av produkten.
- Spärr för reglagehandtag
 - Spärren för reglagehandtaget låser reglaget och förhindrar oavsiktlig öppning av högtrycksstrålen.
- Överströmningsventil med tryckströmbrytare
 - Överströmningsventilen förhindrar det tillåtna arbetstrycket från att överskridas. Om reglaget på pistolmunstycket släpps, stänger tryckströmbrytaren av pumpen och högtrycksstrålen stannar. Om reglaget trycks in, startar pumpen igen.
- Överbelastningsskydd
 - En värmesensor skyddar produkten mot överlast. Produkten stänger automatiskt av strömmen vid överhettning.

SYMBOLER PÅ PRODUKTEN



Läs och se till att du förstår alla anvisningar innan du använder produkten. Följ alla varningar och säkerhetsanvisningar.



Klass II-verktyg, dubbelt isolerat



Bär ögon- och hörselskydd.



Under spänning



Produkten är inte lämplig för anslutning till dricksvattenförsörjningen utan backventil.



Rikta aldrig spolarmen mot andra människor, djur, maskinstommen, strömförsörjningen eller andra elektriska enheter.



Nominellt tryck



Vrid nederdelen av munstycket hela vägen till höger för att aktivera lågtrycksläget för skumning/rengöringsmedel.



CE-märkning



Brittisk CE-märkning



EurAsian överensstämmelsesymbol



Ukrainsk CE-märkning



Garanterad ljudeffektsnivå



Gamla elektroniska produkter ska inte kastas med hushållssoporna. Återvinn där sådana faciliteter finns. Kontrollera med din lokala myndighet eller säljaren för att få återvinningstips.

SYMBOLER I MANUALEN



Använd kraftiga, halkskyddade handskar.



Delar och utrustning säljs separat



Koppla den till ett väggurtag



Urkoppling från väggurtag



OBS



Varning

FELSÖKNING

Problem	Möjlig orsak	Lösning
Varierande tryck	Pump suger luft	Kontrollera att slangar och anslutningar är lufttäta.
	Ventiler som är smutsiga, utslitna eller sitter fast	Vid service ska produkten lämnas till auktoriserat servicecenter.
	Utslitna pumptätningar	Vid service ska produkten lämnas till auktoriserat servicecenter.
Maskinen stannar	Värmesensor aktiverad	Låt rengöraren vara avstängd i 15 minuter så att den svalnar.
	Munstycke delvis blockerat	Rengör munstycket.
Produkten pulserar	Luft i inloppsslang/-pump	Låt produkten köra med öppet reglage tills normalt arbetstryck återupptas.
	Bristfällig vattenförsörjning	Kontrollera att vattenförsörjningen överensstämmer med nödvändiga specifikationer (se modelletikett). Undvik att använda långa, tunna slangar.
	Munstycke delvis blockerat	Rengör munstycket.
	Vattenfilter blockerat	Rengör filtret.
	Slang knickad	Sträck ut slang.
Produkten startar men det kommer inte ut något vatten	Pump/slangar eller tillbehör har frusit	Vänta tills pumpen, slangarna eller andra tillbehör tinat.
	Ingen vattenförsörjning	Anslut vattnets inloppsport till en vattenförsörjning.
	Vattenfilter blockerat	Rengör filtret.
	Munstycke blockerat	Rengör munstycket.

Turvallisuus, tehokkuus ja käyttövarmuus ovat sähkökäyttöisen korkeapainepesurimme tärkeimpiä ominaisuuksia.

KÄYTTÖTARKOITUS

Sähkökäyttöinen korkeapainepesuri on tarkoitettu vain ulkokäyttöön. Turvallisuuden varmistamiseksi tuotetta on ohjattava hallintakahvoilla kahdella kädellä.

Tuote on tarkoitettu kotikäyttöön. Se on tarkoitettu puhdistamaan koneita, ajoneuvoja, rakennuksia, lattiaita, työkaluja, rakennusten julkisivuja, terasseja sekä betonipäällystettyjä jalkakäytäviä pinttyneestä liasta käyttämällä puhdasta vettä puhdistusaineiden kanssa tai ilman niitä.

Tilan, jossa laitetta käytetään, on oltava hyvin valaistu.

Älä käytä muihin tarkoituksiin.

VAROITUS! Tämä tuote on suunniteltu käyttämään mukana toimitettua tai valmistajan suosittelemaa neutraalia puhdistusainetta. Muiden puhdistusaineiden tai kemikaalien käyttö saattaa vaikuttaa haitallisesti tuotteen turvallisuuteen.

YLEISET TURVALLISUUSVAROITUKSET

VAROITUS! Lue kaikki turvallisuusvaroitukset ja ohjeet. Varoitusten ja ohjeiden laiminlyönnistä voi seurata sähköisku, tulipalo ja/tai vakava loukkaantuminen.

■ Tätä tuotetta eivät saa käyttää lapset tai sellaiset henkilöt, joiden fyysiset, aistimukselliset tai henkiset kyvyt ovat alentuneet tai joilta puuttuu tuotteen käyttöön tarvittava kokemus ja tuntemus. Lapsia on pidettävä asianmukaisesti silmällä, jotta he eivät pääse leikkimään tuotteella.

■ Tätä tuotetta käytettäessä on käytettävä täydellistä henkilösuojainten varustusta, kuten turvakengä, turvakäsineitä, kuulosuojaimia sekä turvakypärää, jossa on silmiensuojain. Käytä vain kovia isuja kestävää silmiensuojainta, joka suojaaa nesteroiskeilta.

VAROITUS! Älä käytä tuotetta silloin, kun muita ihmisiä on lähellä, paitsi jos he käyttävät suojavaatetusta.

■ Vähentääksesi henkilövahinkojen riskiä pidä lapset ja vierailijat pois työskentelypaikoilta. Vierailijat eivät saa koskea työkaluun eivätkä jatkajohtoon kun työkalu on käynnissä.

■ Varmista, että turvalaitteet ovat hyvässä toimintakunnossa. Varmista ennen käyttöä, että kaikki turvalaitteet toimivat kunnolla.

■ Älä käytä tuotetta, jos sen tärkeät osat, kuten turvalaitteet, korkeapaineletkut tai liipaisinpistooli, ovat vahingoittuneet.

■ Noudata varovaisuutta, kun käytät liipaisinta. Pidä liipaisinkahvasta tukevasti kiinni molemmin käsin, jotta voit välttää loukkaantumisen, kun liipaisinkahva iskee takaisin.

VAROITUS! Korkeapainepesureiden käytön aikana saattaa muodostua aerosoleja. Aerosolien hengittäminen voi olla terveydelle haitallista. Käyttökohteesta riippuen korkeapainepesussa voidaan käyttää suojattuja suuttimia, mikä vähentää vesipitoisten aerosolien päästöjä. Tällaista varustetta ei voida kuitenkaan käyttää kaikissa käyttökohteissa. Jos suojattuja suuttimia ei voida käyttää suojauskeinona aerosoleja vastaan, FFP 2 -luokan hengitysnaamari tai muu vastaava saattaa olla tarpeen puhdistusympäristön mukaan.

■ Sammuta tuote aina, kun jätät sen yksin.

■ Korkeapainesuihku on väärin käytettynä vaarallinen. Älä kohdista suihkua ihmisiä tai jännitteen alaisia sähkölaitteita kohti tai itse tuotteeseen.

■ Jotta voit välttää räjähdyksen, älä ruiskuta syttyviä nesteitä.

■ Älä suuntaa pesuria itseäsi tai muita ihmisiä kohti, kun puhdistat vaatteita tai jalkineita.

■ Älä käytä tuotetta sähkölaitteiden, vaatteiden tai jalkineiden puhdistamiseen.

■ Korkeapaineletkut, kiinnittimet ja liittimet ovat tärkeitä tuotteen turvallisuudelle. Käytä vain valmistajan suosittelemissa letkuja, kiinnittimiä ja liittimiä.

■ Laitteen pitkittynyt käyttö voi aiheuttaa tai vaikeuttaa vammoja. Kun käytät mitä tahansa laitetta pitkiä aikoja, muista pitää säännöllisiä taukoja.

VAROITUS! Laitetta ei saa liittää juomaveden tuloliitäntään ilman, että siihen on asennettu standardin EN 12729 tyypin BA vaatimukset täyttävä takaisinvirtausestin. Takaisinvirtauksen estimen läpi virtaava vesi ei ole juomakelpoista. Noudata aina paikallisen vesiyhtiön määräyksiä, kun liität tämän tuotteen vesijohtoverkkoon.

SÄHKÖTURVALLISUUSVAROITUKSET

- Pistokkeen on sovittava pistorasiaan. Älä koskaan muunna pistoketta millään tavalla. Alkuperäiset pistokkeet ja niitä vastaavat pistorasiat pienentävät sähköiskun vaaraa.
- Älä käytä tuotetta, jos virtajohto tai muut tärkeät osat, kuten turvalaitteet, ovat vahingoittuneet.
- Tarkasta ennen jokaista käyttöä, onko virtajohtossa ja jatkojohtossa vikoja. Jos virtajohto tai jatkojohto ovat vahingoittuneet, vaarojen välttämiseksi valmistajan, valmistajan huoltotyöntekijän tai vastaavan henkilön on vaihdettava ne.
- Tarkista virtajohto aina ennen käyttöä. Jos löytyy mitään merkkejä vaurioitumisesta, pätevän henkilön on vaihdettava se valtuutetussa huollossa, jotta vältytään vaaroilta.
- Älä päästä virtajohtoa koskettamaan kuumuuden lähteitä, öljyä tai teräviä reunoja.
- Älä kosketa koskeaan pistotulppaa tai pistorasiaa märillä käsillä.
- Sopimattomat jatkojohtot voivat olla vaarallisia. Jos jatkojohtoa käytetään, sen on oltava sopiva ulkokäyttöön ja liitäntä on pidettävä kuivana ja pois maan pinnasta. Käytä jatkojohtokelaa pitääksesi pistorasian vähintään 60 mm maanpinnan yläpuolella.
- Virransyöttöliitäntä on pätevän sähköasentajan tehtävä, ja siinä on noudatettava standardia IEC 60364-1. Suosituksena on, että tuotteen virransyötössä on joko vikavirtasuojakytkin, joka keskeyttää virransyötön, jos vuotovirta maahan ylittää 30 mA 30 ms:n ajan tai laite, joka tarkistaa maadoituspiirin.

MUITA TURVALLISUUSVAROITUKSIA

- Joillain alueilla vallitsee säädöksiä, jotka rajoittavat tämän tuotteen käyttöä. Pyydä paikallisilta viranomaisilta neuvoa.
- Tarkista laite vaurioiden varalta aina ennen käyttöä. Vaurioitunut korkeapaineletku täytyy vaihtaa välittömästi. Varmista, että kaikki liitännät, kuten korkeapaineletkun ja suuttimen kytkentä, on tehty asianmukaisesti. Vedä letku ulos kelasta kunnolla niin, että se ei väännny tai taitu.
- Älä anna lasten tai kouluttamattomien henkilöiden käyttää tätä tuotetta.
- Sulje ovet ja ikkunat ennen puhdistustyön aloittamista. Poista roskat, lelut, ulkoihuonekalut tai muut mahdollisesti

vaaroja synnyttävät esineet puhdistettavalta alueelta.

- Älä koskaan nosta tai kannu tuotetta moottorin käydessä.
- Älä käytä tuotetta alle 0 °C:n lämpötiloissa.
- Älä käytä happoja, emäksisiä aineita, liuottimia, syttyviä materiaaleja, valkaisuaineita tai teollisuuskäytön vahvoja liuoksia tuotteessa. Nämä tuotteet voivat aiheuttaa fyysisiä vammoja käyttäjälle tai pysyviä vaurioita tuotteeseen.
- Käytä tuotetta aina tasaisella pinnalla.

VAROITUS! Korkeapainesuihku voi olla vaarallinen, jos sitä käytetään väärin. Suihkua ei saa kohdistaa ihmisiin, eläimiin, sähkölaitteisiin tai itse tuotteeseen.

- Pidä liipaisinkahvasta kiinni tukevalla otteella molemmin käsin. Valmistu siihen, että liipaisinkahva liikkuu reaktiivoimien vuoksi, kun liipaisinta vedetään. Tämän ohjeen laiminlyönti voi johtaa hallinnan menetykseen ja itsesi tai muiden loukkaantumiseen.
- Varmista, että letkussa ja pumpussa oleva ilma vapautetaan, ennen kuin käynnistät tuotteen. Kun haluat poistaa ilman letkusta ja pumpusta, liitä vedensyöttö pumppuun puutarhaletkun avulla, liitä liipaisinkahva pumppuun korkeapaineletkun avulla, vapauta liipaisinkahvan lukko, ja paina liipaisinta, kunnes virtaus on tasainen.
- Noudata varovaisuutta liukastumisien tai kaatumisen välttämiseksi.
- Pidä vakaa tasapaino. Älä kurkota liian pitkälle. Liian pitkälle kurkotta minen saattaa johtaa tasapainon menettämiseen.
- Käytä ainoastaan valmistajan hyväksymiä lisäosia. Sopimattomien lisävarusteiden käyttö voi aiheuttaa vakavaa loukkaantumisvaaraa.
- Älä koskaan jätä käynnissä olevaa tuotetta valvomatta. Sammuta tuote. Älä jätä tuotetta valvomatta, ennen kuin se on pysähtynyt täysin.
- Tutustu hyvin kaikkiin säätimiin. Tunne, kuinka tuote sammutetaan ja kuinka paine vapautetaan nopeasti.
- Pysy aina valppaana ja hallitse työkalusi. Keskity työhösi ja käytä tervettä järkeä.
- Älä käytä sahaa, jos olet väsynyt, sairas tai huumeiden, alkoholin tai lääkkeiden vaikutuksen alainen. Tarkkaamattomuus

tuotetta käytettäessä saattaa johtaa vakavaan loukkaantumiseen.

- Älä käytä tuotetta, jos se ei käynnisty ja sammuu katkaisimesta. Jos tuotetta ei voida hallita katkaisimella, se on vaarallinen ja vaatii korjaamista.
- Säilytä vähintään 30 cm:n etäisyys, kun puhdistat ajoneuvoja. Korkeapainesuihku voi vahingoittaa ajoneuvon renkaita tai niiden venttiilejä.
- Käytä puutarhaletkua, jonka enimmäispituus on 15 m ja vähimmäishalkaisija 18 mm (3/4 tuumaa).
- Varmista aina ennen käyttöä, että lisävaruste on lujasti kiinni liipaisinvarressa.

YLIKUORMITUSSUOJAUS

Tuotteessa on ylikuormitussuojauslaite, joka aktivoituu, kun laite ylikuumenee tai kokee virtapiikin, katkaisten tällöin virran tuotteen sisällä automaattisesti. Voit jatkaa tuotteen käyttöä irrottamalla se pistorasiasta, odottamalla noin 15 minuuttia ja kytkemällä se uudelleen pistorasiaan.

KULJETUS JA VARASTOITAESSA

⚠ HUOMAUTUS! Ota huomioon tuotteen paino, kun valitset säilytyspaikkaa, ja kuljetuksen aikana, jotta voit estää onnettomuuksia ja henkilövahinkoja.

- Sammuta tuote, kytke irti virtalähteestä ja anna tuotteen jäähtyä. Irrota tuote vesijohtoverkosta ennen kuljetusta tai siirtämistä säilytyspaikkaan. Älä aseta tuotetta koskaan mihinkään muuhun asentoon kuin pystyasentoon.
- Puhdista laitteesta kaikki vieraat materiaalit. Varastoi laite viileään, kuivaan ja hyvin tuuletettuun paikkaan, jossa lapset eivät pääse siihen käsiksi. Pidä tuote erillään syövyttävistä aineista, kuten puutarhakemikaaleista ja jäänestosuolasta. Älä säilytä laitetta ulkona.
- Poista vesi kaikista letkuista ja pumpusta ja tyhjennä pesuainesäiliö ennen tuotteen säilytyspaikkaan siirtämistä.
- Kiinnitä tuote kuljetettaessa siten, että se ei pääse liikkumaan tai kaatumaan, jotta vältytään loukkaantumisilta ja vaurioilta.
- Säilytä tuotetta vain sisätiloissa. Jos laitetta säilytetään tilassa, jossa lämpötila on alle 0 °C, se vaurioituu.

HUOLTO

- Käytä ainoastaan alkuperäisiä valmistajan tuottamia varaosia, lisälaitteita ja lisävarusteita. Tämän noudattamatta jättäminen voi johtaa loukkaantumiseen ja huonoon tulokseen ja voi mitätöidä takuun.
- Huolto kaipaa suurta huolellisuutta ja hyvää työkalun tuntemusta: Se on annettava pätevän tekniikon tehtäväksi. Teetä huollot ainoastaan valtuutetussa huoltoliikkeessä.
- Sammuta laite ja irrota pistoke pistorasiasta. Irrota tuote vedensyötöstä. Anna tuotteen jäähtyä:
 - ennen huoltoa
 - ennen tukoksen poistamista
 - ennen tuotteen tarkastusta, puhdistusta ja huoltoa
- Sinulla on lupa suorittaa ainoastaan tässä käsikirjassa kuvattuja säätöjä ja korjauksia. Pyydä apua valtuutetusta huollosta muiden korjaus- tai neuvontapeiden tapauksessa.
- Varmista korkeapainepesurin turvallinen toiminta tarkastamalla ja huoltamalla se säännöllisesti. RYOBI suosittelee tuotteen tarkastamista joka 6 kuukauden välein.
- Varmista aina, että ruuvit ja mutterit ovat tiukasti kiinni, jotta tuote olisi aina turvallinen ja käyttövalmis. Valtuutetun huoltopisteen on korjattava tai vaihdettava vioittuneet osat asianmukaisesti.

TUNNE TUOTTEESI

Katso sivu 145.

1. Kantokahva
2. Virtajohdon pidike
3. Virtakytin
4. Käyttöohjeet
5. Kahvan kiinnitysruuvi
6. Tulovesisuodatin
7. Veden sisääntuloaukko
8. Virtajohto
9. Letkun vapautuspainike
10. Veden ulostuloaukko
11. Liipaisinvarren teline
12. Jatkovarsi
13. Liipaisinkahvalukko
14. Liipaisin
15. Letkun lukkopainike
16. Korkeapaineletku
17. Muuttuvapituuksinen varsi
18. Puutarhaletku
19. RYOBI-pesuaine
20. Puutarhaletkun liitin

21. Turbovarsi
22. Pesuainepullo

HUOMAUTUS: Jos käytät pesuainetta, lue käytettävän pesuaineen käyttöturvallisuustiedote.

SUOJALAITTEET

- Virtakytkin
 - On/off-kytkin estää tuotteen tahattoman käytön.
- Liipaisinkahvalukko
 - Liipaisinkahvalukko lukitsee liipaisimen ja estää korkeapaineisen suihkun tahattoman avautumisen.
- Ylivirtausventtiili painekeytimellä
 - Ylivirtausventtiili estää sallitun työpaineen ylityksen. Jos liipaisinpistoolin vipu vapautetaan, painekeytkin sammuttaa pumpun, jolloin korkeapaineinen suihku lakkaa. Jos vipua vedetään, pumppu käynnistyy taas.
- Ylikuormitusuojaus
 - Lämpöanturi suojaa laitetta ylikuormituksesta. Jos laite ylikuumentuu, virta katkeaa automaattisesti.

TUOTTEESSA OLEVAT SYMBOLIT



Kaikki ohjeet on luettava ja ymmärrettävä ennen tuotteen käyttöä. Noudata varoituksia ja turvallisuusohjeita.



Luokan II laite, kaksoiseristetty



Käytä suojalaseja ja kuulosuojaimia.



Jännite



Tämä tuote ei sovellu yhdistettäväksi juomavesiverkkoon ilman takaisinvirtauksen estolaitetta.



Älä koskaan osoita suihkutussauvaa ihmisiä, eläimiä, koneen runkoa, virtalähdettä tai mitään sähkölaitetta kohti.



Nimellispaine



Suuttimen alaosan kääntäminen kokonaan oikealle aktivoi vaahtoamisen/pesuaineen matalapainetilan.



Eurooppalainen vaatimustenmukaisuusmerkintä



Brittiläinen vaatimustenmukaisuusmerkintä



EurAsian-vaatimustenmukaisuusmerkki



Ukrainalainen vaatimustenmukaisuusmerkintä



Taattu äänenteho



Käytöstä poistettavia sähkölaitteita ei pidä hävittää talousjätteiden mukana. Ne on mahdollisuuksien mukaan pantava kiertoon. Kierrätysohjeita antavat kunnan viranomaiset ja vähittäiskauppiaat.

TÄMÄN KÄSIKIRJAN SYMBOLIT



Käytä luisumattomia raskaan käytön suojakäsineitä.



Osat ja lisävarusteet on hankittava erikseen



Kytke pistorasiaan



Irrota pistorasiasta



Huom



Varoitus

VIANHAKU

Ongelma	Mahdollinen syy	Ratkaisu
Paine vaihtelee	Pumppu imee ilmaa	Tarkista, että letkut ja kytkennät ovat ilmatiiviitä.
	Venttiilit ovat likaisia, kuluneita tai jumissa	Kun tuote vaatii huoltoa, vie tuote valtuutettuun huoltoon.
	Pumpun tiivisteet kuluneita	Kun tuote vaatii huoltoa, vie tuote valtuutettuun huoltoon.
Laite pysähtyy	Lämpöanturi aktivoitunut	Jätä pesuri jäähtymään 15 minuutiksi.
	Suutin on osittain tukossa	Puhdista suutin.
Tykystoiminto	Ilmaa tuloletkussa/pumpussa	Anna tuotteen käydä liipaisin auki, kunnes saavutetaan tavallinen työpaine.
	Vedensyöttö ei ole riittävä	Tarkista, että veden tulo vastaa vaatimuksia (katso mallikilpi). Vältä pitkien ja ohuiden letkujen käyttöä.
	Suutin on osittain tukossa	Puhdista suutin.
	Vesisuodatin on tukossa	Puhdista suodatin.
	Letku on taittunut	Suorista letku.
Laite käynnistyy, mutta vettä ei tule ulos	Pumppu/letkut tai lisävaruste jäässä	Odota, että pumppu, letku tai muu varuste sulaa.
	Ei veden tuloa	Kytke vedentulo vedensaantiin.
	Vesisuodatin on tukossa	Puhdista suodatin.
	Suutin on tukossa	Puhdista suutin.

EN

FR

DE

ES

IT

NL

PT

DA

SV

FI

NO

RU

PL

CS

HU

RO

LV

LT

ET

HR

SL

SK

BG

UK

TR

Sikkerhet, ytelse og pålitelighet har fått topp prioritet under utformingen av denne elektriske høytrykksspyleren.

TILTENKT BRUK

Maskinen er bare beregnet til utendørsbruk. Av sikkerhetshensyn må produktet betjenes på forsvarlig vis med to hender.

Dette produktet er konstruert for hjemmebruk. Den brukes til rengjøring av maskiner, kjøretøy, bygninger, gulv, verktøy, fasader, terrasser, gulv og gangveier av betong ved at den fjerner fastsittende skitt med rent vann med eller uten vaskemiddel.

Det skal brukes under godt opplyste forhold.

Den skal ikke brukes til noe annet formål

⚠ ADVARSEL! Det er meningen at maskinen brukes med et nøytralt vaskemiddel fra produsenten eller et vaskemiddel som produsenten har anbefalt. Bruk av andre rengjøringsmidler eller kjemikalier kan gå ut over maskinens sikkerhet.

GENERELLE SIKKERHETSADVARSLER

⚠ ADVARSEL! Les alle sikkerhetsadvarslene og alle instruksjonene. Å unnlate å følge advarslene og instruksjonene kan føre til elektrisk støt, brann og alvorlig personskade.

- Maskinen skal ikke brukes av barn eller personer med redusert fysisk, sensorisk eller mental kapasitet, eller personer som mangler erfaring og kunnskaper. Barn må ha riktig tilsyn for å sikre at de ikke leker med produktet.
- Bruk fullstendig personlig verneutstyr når du bruker maskinen, som støvler, vernehansker, vernehjelmer med visir og hørselvern. Bruk bare et kraftig visir med sprutvern.

⚠ ADVARSEL! Maskinen må ikke brukes når folk uten verneutstyr er innenfor rekkevidde.

- Hold barn og besøkende unna for å redusere risikoen for skader. Alle besøkende må bruke beskyttelsesbriller og holdes på trygg avstand fra arbeidsområdet.
- Sørg for at sikkerhetsinnretningene er i god stand. Pass på at alle sikkerhetsinnretninger fungerer som de skal før hver gangs bruk.
- Ikke bruk maskinen hvis viktige deler er skadet, for eksempel sikkerhetsanordninger, høytrykksslanger eller utløserhåndtaket.

- Vær forsiktig når du åpner utløseren. Hold utløserhåndtaket fast med to hender for å unngå skade når håndtaket spretter tilbake.

⚠ ADVARSEL! Det kan danne seg aerosoler under bruken av høytrykksspylere. De kan være helseskadelig å puste inn aerosoler. Avhengig av bruken kan skjermede dyser brukes ved høytrykksrengjøring. Dette vil redusere utslippet av vannholdige aerosoler. Imidlertid gjør ikke alle bruksområder det mulig å bruke en slik anordning. Hvis det ikke lar seg gjøre å bruke en skjermet dyse til vern mot aerosoler, kan det være nødvendig å bruke en luftmaske av klasse FFP 2 eller tilsvarende, avhengig av rengjøringsomgivelsene.

- Stopp maskinen når du forlater den uten tilsyn.
- Høytrykksstrålen er farlig hvis den brukes feil. Ikke rett strålen mot folk, strømførende utstyr eller selve maskinen.
- Ikke spray brennbare væsker, da dette kan føre til eksplosjon.
- Ikke rett strålen mot deg selv eller andre i den hensikt å rengjøre klær eller fottøy.
- Ikke bruk maskinen til rengjøring av elektronisk utstyr, klær eller fottøy.
- Høytrykkslanger, beslag og koblinger er viktige for maskinens sikkerhet. Bruk bare slanger, beslag og koplinger som er anbefalt av produsenten.
- Hvis man bruker verktøyet for lenge av gangen, kan det føre til eller forverre allerede eksisterende personskade. Når du bruker et verktøy over en lenger tidsperiode, husk å ta regelmessige pauser.

⚠ FORSIKTIG: Hvis produktet kobles til en drikkevannskilde, må det først utstyres med en tilbakeslagsventil tilsvarende EN 12729 type BA. Vann som strømmer gjennom en tilbakeslagsventil, egner seg ikke som drikkevann. Følg alltid forskriftene fra det lokale vannverket når du kobler maskinen til en vanntilførselsledning.

ELEKTRISKE SIKKERHETSADVARSLER

- Det elektriske verktøyets støpsler må passe til kontaktene. Foreta aldri noen form for endringer av støpslet. Umodifiserte støpsler og passende stikkontakter vil redusere risikoen for elektrisk sjokk.
- Ikke bruk maskinen hvis strømledningen eller andre viktige deler, som for eksempel sikkerhetsanordninger, er skadet.

- Se etter skader på strømledningen og skjøteledningen før hver bruk. Hvis strømledningen eller skjøteledningen er skadet, må den erstattes av produsenten, produsentens serviceverksted eller tilsvarende kvalifisert personell for å unngå fare.
- Før hver bruk skal strømledningen sjekkes for skader. Hvis det er tegn til skade må ledningen erstattes av en kvalifisert person ved et autorisert servicesenter for å unngå fare.
- Hold ledningen vekke fra varme, olje og skarpe kanter.
- Støpselet og stikkkontakten må aldri berøres med våte hender.
- Mangelfulle skjøteledninger kan være farlige. Hvis du bruker en skjøteledning, må den være egnet for utendørs bruk, og tilkoblingen må holdes tørr og oppe fra bakken. Bruk en ledningskveile for å holde kontakten minst 6 cm over bakken.
- El-installasjonen må monteres av en kvalifisert elektriker og være i samsvar med IEC 60364-1. Det anbefales at produktets el-forsyning enten inneholder en reststrømenhet som avbryter strømforsyningen hvis lekkasjespenningen til jorden overstiger 30 mA for 30 ms, eller en enhet som sikrer jordingen.

SPESIELLE SIKKERHETSADVARSLER

- Noen regioner har bestemmelser som begrenser bruk av dette produktet. Spør de lokale myndigheter for råd.
- Sjekk produktet for skader før hver gangs bruk. Høytrykksslangen må skiftes umiddelbart hvis den er skadet. Pass på at alle tilkoblinger, som høytrykksslangen og munnstykket, er sikre. Rull slangen ordentlig ut slik at den ikke blir vridd eller får en bend.
- Ikke la barn eller ukyndige bruke dette utstyret.
- Lukk dører og vinduer før rengjøringen. Rydd området som skal rengjøres, for rusk, leker, utemøbler og andre gjenstander som kan skape farlige situasjoner.
- Løft aldri opp eller bær produktet mens motoren går.
- Ikke bruk maskinen når det er minusgrader.
- Ikke bruk syrer, baser, løsemidler, brennbar materiale, blekemidler eller industrielle oppløsninger i maskinen. Slike produkter kan føre til fysiske skader på operatøren og irreversibel skade på maskinen.
- Bruk alltid maskinen på et plant underlag.
- ⚠ **ADVARSEL!** Høytrykksstrålen kan være farlig hvis den brukes feil. Strålen må ikke rettes mot personer, dyr, elektrisk utstyr eller selve maskinen.
- Hold fast i utløserhåndtaket med begge hender. Vær forberedt på at håndtaket slår tilbake når du trykker det inn på grunn av tilbakeslagskreftene. Ellers risikerer du at du mister kontrollen og skader deg selv og andre.
- Pass på å slippe ut luften i slangen og pumpen ut før du slår på maskinen. Når du skal fjerne luft i slangen og pumpen, kobler du vanntilførselen til pumpen med en hageslange. Deretter kobler du utløserhåndtaket til pumpen med høytrykksslangen. Løsne sperren på utløserhåndtaket, og trykk på avtrekkeren til det kommer en jevn vannstrøm.
- Vær forsiktig så du ikke sklir eller faller.
- Ha god fotfeste og ballanse til enhver tid. Ikke len deg for langt. Hvis du lener deg for langt, kan du miste balansen.
- Bruk kun tilbehør som har blitt godkjent av produsenten. Bruken av upassende tilbehør kan føre til personskade.
- La aldri maskinen gå uten tilsyn. Slå av produktet. Ikke gå fra maskinen før den har stoppet helt.
- Gjør deg kjent med kontrollene. Sett deg inn i hvordan du stopper maskinen og utløser trykket raskt.
- Vær våken og behold kontrollen. Se hva du gjør og bruk fornuft.
- Ikke bruk sagen når du er trøtt, syk eller påvirket av stoffer, alkohol eller medisiner. Et øyeblikk med uoppmerksomhet under bruk av produktet kan føre til alvorlige personskader.
- Ikke bruk verktøyet hvis bryteren ikke slår verktøyet av og på. Et produkt som ikke kan kontrolleres med bryteren er farlig og må repareres.
- Hold en avstand på minst 30 cm når du rengjør biler. Høytrykksstrålen kan skade dekk og dekkventiler eller få dem til å revne.
- Bruk en hageslange på maks 15 m og min. diameter på 18 mm
- Før hver bruk se til at tilbehøret er godt festet til utløserpistol.

OVERBELASTNINGSBESKYTTELSE

Produktet har en overbelastningsbeskyttelse som aktiveres når overoppheting eller en spenningstopp inntreffer, og vil automatisk slå av strømmen inne i produktet. For å kunne fortsette bruken må produktet frakobles strømmettet i ca. 15 minutter og dernest tilbakekobles strømmettet.

TRANSPORT OG LAGRING

⚠ FORSIKTIGHETSREGEL! Ta hensyn til vekten av maskinen når du velger oppbevaringsplass eller skal transportere maskinen, for å unngå ulykker og personskader.

- Stopp maskinen, koble fra strømforsyningen, og la maskinen kjøle seg ned. Koble maskinen fra vanntilførselen før du setter den bort eller transporterer den. Pass på at maskinen alltid bare står i oppreist stilling.
- Fjern alle fremmedelementer fra produktet. Lagres på et kjølig, tørt og godt ventilert sted som er utilgjengelig for barn. Hold avstand til korroderende midler som havekjemikalier og avisingssalt. Produktet skal ikke oppbevares utendørs.
- Tøm alle slanger og pumper for vann, og tøm vaskemiddeltanken før du setter bort maskinen.
- Ved transport må produktet sikres mot å komme i bevegelse eller falle for å unngå skade på personer eller produktet.
- Produktet skal kun oppbevares innendørs. Produktet vil ta skade hvis det oppbevares på et sted under 0 °C.

VEDLIKEHOLD

- Bruk kun produsentens originale reservedeler, tilleggsutstyr og påsatser. Dersom dette ikke følges, kan det forårsake personskader, dårlig funksjon og kan annullere garantien din.
- Service krever meget stor forsiktighet og kunnskap og bør utføres kun av kvalifisert teknisk personale. Få utført service på produktet kun av et autorisert servicesenter.
- Slå av produktet og koble pluggen fra strømuttaket. Koble maskinen fra vanntilførselen. La produktet kjøles ned.
 - før betjening
 - før rengjøring av en blokkering
 - før kontroll, rensing og arbeider på produktet

- Du kan bare foreta justeringer og reparasjoner som er beskrevet i denne brukermanualen. For andre typer reparasjoner eller råd anbefales det å kontakte et autorisert servicesenter.
- Inspiser og vedlikehold høytrykksspyleren regelmessig for å sørge for sikker drift. RYOBI anbefaler at maskinen inspiseres hver 6 måned.
- Kontroller all mutter, bolter og skruer med jevne mellomrom at de er skrudd fast for å sikre at produktet er i driftssikker stand. Enhver del som er skadet må repareres eller skiftes ut på fagmessig måte ved et autorisert serviceverksted.

KJENN PRODUKTET DITT

Se side 145.

1. Bærehåndtak
2. Ledningsfeste
3. Av/PÅ-bryter
4. Brukermanual
5. Håndtaksskrue
6. Vanninntaksfilter
7. Vanninntak
8. Elektrisk ledning
9. Slippknapp slange
10. Vannutløp
11. Avtrekkerpistolholder
12. Forlengelseslanse
13. Sperre på utløserhåndtak
14. Avtrekker
15. Låseknapp slange
16. Høytrykksslange
17. Variolansje
18. Hageslange
19. RYOBI rengjøringsmiddel
20. Hageslangetilkobling
21. Turbolansje
22. Rengjøringsmiddelflaske

MERK: Hvis det brukes rengjøringsmiddel, se materialsikkerhetsdatabladet til rengjøringsmiddelet.

SIKERHETSANORDNINGER

- Av/PÅ-bryter
 - Strømbryteren hindrer utilsiktet bruk av spyleren.
- Sperre på utløserhåndtak
 - Sperran sperrer for utløserhåndtaket og hindrer at det utilsiktet blir åpnet for høytrykksstrålen.

- Overløpsventil med trykkbryter
 - Overløpsventilen sikrer at det tillatte driftstrykket ikke blir overskredet. Hvis spaken på utløserhåndtaket slippes, slår trykkbryteren av pumpen slik at høytrykksstrålen stopper. Pumpen slås på igjen når du trekker i spaken.
- Overbelastningsbeskyttelse
 - En termisk sensor beskytter produktet mot overbelastning. Produktet vil automatisk slå av strømmen ved overoppheting.



Ukrainsk samsvarsmerking



Garantert lydeffektnivå



Avfall fra elektriske produkter skal ikke kastes sammen med husholdningsavfall. Vennligst resirkulervedeksisterende avfallsbehandlingssted. Undersøk hos dine lokale myndigheter eller forhandler for råd om resirkulering.

SYMBOLER PÅ PRODUKTET



Les og forstå alle instruksjoner før du betjener produktet. Følg alle advarsler og sikkerhetsanvisninger.



Klasse II verktøy, dobbelisolasjon



Bruk vernebriller og hørselvern.



Strømtilførsel



Hvis maskinen skal kobles til en drikkevannskilde, må den først utstyres med en tilbakeslagsventil.



Retts aldri sprayrøret mot mennesker, dyr, maskinen selv, strømforsyningen eller elektriske apparater.



Nominelt trykk



Vri nedre del av dysen helt til høyre for å aktivere lavtrykksmodus for skumming/ rengjøringsmiddel.



Europeisk samsvarsmerking



Britisk samsvarsmerking



EurAsian samsvarsmerke

SYMBOLER I DENNE MANUALEN



Bruk sklisikre og kraftige beskyttelseshansker.



Deler eller tilbehør som er tilgjengelige separat



Tilkoble til strømkontakten



Ta ut av strømkontakten



Merk



Advarsel



FEILSØKING

Problem	Mulig årsak	Løsning
Varierende trykk	Pumpen suger luft	Kontroller at slangene og koblingene er lufttette.
	Ventilene er skitne, slitte eller har satt seg fast	For service skal produktet leveres til et autorisert serviceverksted.
	Utslitte pumpetetninger	For service skal produktet leveres til et autorisert serviceverksted.
Maskinen stopper	Den termiske sensoren er aktivert	La spyleren kjøle seg ned i 15 minutter.
	Munnstykket er delvis blokkert	Rengjør munnstykket.
Produkt pulserer	Luft i inntaksslangen eller -pumpen	La maskinen kjøre med åpen utløser inntil driftstrykket igjen er normalt.
	Utilstrekkelig vanntilførsel	Kontroller at vannforsyningen tilsvarer de nødvendige spesifikasjonene (se typeskiltet). Unngå å bruke lange, tynne slanger.
	Munnstykket er delvis blokkert	Rengjør munnstykket.
	Vannfilteret er blokkert	Rengjør filteret.
	Det er knekk på slangen	Rett ut slangen.
Produktet starter, men det kommer ikke ut noe vann	Frossen pumpe / slanger eller tilbehør	Vent til pumpen, slangene eller det andre tilbehøret tiner.
	Ingen tilførsel av vann	Koble vanninntaket til en vannforsyning.
	Vannfilteret er blokkert	Rengjør filteret.
	Munnstykket er tett	Rengjør munnstykket.



В основе конструкции вашего электрического очистителя высокого давления лежат принципы безопасности, продуктивности и надежности.

НАЗНАЧЕНИЕ

Электрический очиститель высокого давления предназначен для использования только вне помещений. В целях безопасности инструментом необходимо управлять двумя руками.

Изделие предназначено для домашнего использования. Он предназначен для очистки машин, транспортных средств, зданий, пола, инструментов, фасадов, террас и бетонных дорожек путем удаления несмываемой грязи с помощью чистой воды с добавлением или без добавления моющего средства.

Изделие должно использоваться в условиях достаточной освещенности.

Не используйте устройство для каких-либо иных целей.

⚠ ОСТОРОЖНО! Инструмент предназначен для использования с нейтральным моющим средством, поставляемым или рекомендуемым производителем. Использование других моющих средств или химических веществ может оказать отрицательное влияние на безопасность инструмента.

ОБЩИЕ ПРАВИЛА БЕЗОПАСНОСТИ

⚠ ОСТОРОЖНО! Прочтите все предупреждения и инструкции по технике безопасности. Несоблюдение приводимых ниже предупреждений и инструкций может привести к поражению электрическим током, возгоранию или тяжким телесным повреждениям.

- Инструмент не предназначен для использования детьми или людьми с ограниченными физическими, сенсорными или умственными способностями или с недостатком опыта или знаний. Не допускайте того, чтобы дети играли с этим устройством.
- При работе с инструментом используйте средства индивидуальной защиты, такие как ботинки, защитные перчатки, защитные шлемы с маской и защитой органов слуха. Используйте только ударопрочные маски с защитой от разбрызгиваемой среды.

⚠ ОСТОРОЖНО! Не используйте инструмент, если в зоне досягаемости находятся люди, за исключением случаев, если они находятся в защитной одежде.

- Чтобы снизить риск получения травм, не допускайте детей и посетителей к инструменту. Всем лицам, осматривающим устройство, необходимо надевать защитные очки и находиться на безопасном расстоянии от рабочего участка.
- Убедитесь в том, чтобы защитные устройства находились в хорошем рабочем состоянии. Перед каждым использованием инструмента проверяйте работоспособность всех защитных устройств.
- Не используйте инструмент, если важные детали, такие как защитные устройства, шланги высокого давления или пусковой пистолет, повреждены.
- Открывайте пусковой крючок с осторожностью. Крепко держите ручку с пусковым крючком двумя руками, чтобы избежать травм при отбрасывании ручки.

⚠ ОСТОРОЖНО! При использовании очистителей высокого давления в воздух могут выбрасываться взвешенные частицы. Вдыхание взвешенных частиц опасно для здоровья. В зависимости от целей применения для очистки под высоким давлением можно использовать защитные насадки, которые снизят выброс жидких взвешенных частиц. Тем не менее, данное устройство подходит не для всех целей применения. Если защитные насадки не подходят для защиты от взвешенных частиц, необходимо использовать респиратор класса FFP 2 или аналогичный, в зависимости от условий очищаемого участка.

- Всегда выключайте инструмент, если оставляете его без присмотра.
- При использовании не по назначению струя высокого давления представляет опасность. Не направляйте струю на людей, включенное электрооборудование или на сам инструмент.
- Во избежание риска взрыва не распыляйте легковоспламеняющиеся жидкости.
- Не направляйте струю на себя или окружающих с целью очистки одежды и обуви.

- Не используйте инструмент для очистки электронных устройств, одежды и обуви.
- Для безопасной работы инструмента пользуйтесь шлангами, крепежными деталями и соединителями, предназначенными для работы под высоким давлением. Пользуйтесь только шлангами, крепежными деталями и соединителями, рекомендованными производителем.
- Слишком продолжительное использование инструмента может привести к травме. При использовании инструмента в течение длительного времени делайте регулярные перерывы.

⚠ ОСТОРОЖНО Подключение инструмента к системе питьевого водоснабжения допускается только при наличии обратного клапана, установленного в соответствии со стандартом EN 12729 тип ВА. Вода, проходящая через обратный клапан, считается непригодной для питья. При подключении инструмента к сети водоснабжения всегда соблюдайте правила вашей местной компании коммунального водоснабжения.

ТЕХНИКА БЕЗОПАСНОСТИ ПРИ РАБОТЕ С ЭЛЕКТРИЧЕСКИМИ ИНСТРУМЕНТАМИ

- Вилка должна соответствовать розетке. Не подвергайте вилку кабеля каким-либо изменениям. Использование оригинальных штепсельных вилок и соответствующих розеток предотвращает опасность поражения электрическим током.
- Не используйте инструмент, если шнур электропитания и другие важные детали, такие как защитные устройства, повреждены.
- Перед каждым использованием проверяйте шнур электропитания и удлинитель на наличие повреждений. Во избежание риска замены поврежденного кабеля питания или удлинителя должен выполнять производитель, авторизованный сервисный центр или специалист, обладающий соответствующей квалификацией.
- Перед каждым использованием проверьте шнур питания на наличие повреждений. Если имеются признаки повреждения шнура питания, то во

избежание опасности он должен быть заменен квалифицированным специалистом в авторизованном сервисном центре.

- Не раскладываете кабель питания вблизи источников тепла, емкостей с маслом и острых предметов.
- Никогда не касайтесь сетевой вилки и розетки мокрыми руками.
- Использование несоответствующего требованиям удлинителя опасно. Если вы используете удлинитель, он должен быть предназначен для использования вне помещений, а соединение должно быть сухим и не находиться на земле. Используйте катушку, чтобы розетка находилась на расстоянии не менее 60 мм выше земли.
- Подключение к сети электропитания должно производиться квалифицированным электриком и соответствовать требованиям IEC 60364-1. При подключении к сети электропитания рекомендуется использовать либо устройство защитного отключения, прерывающее подачу электроэнергии в случае, если ток утечки на землю превышает 30 мА в течение 30 мс, или устройство заземления.

ДОПОЛНИТЕЛЬНЫЕ УКАЗАНИЯ ПО БЕЗОПАСНОСТИ

- В некоторых регионах существуют правила, ограничивающие использование этого продукта. Проконсультируйтесь с местными органами власти.
- Перед каждым использованием проверьте изделие на наличие повреждений. Поврежденный шланг высокого давления следует немедленно заменить. Проверьте надежность соединения таких деталей, как шланги и насадки высокого давления. Разматывайте шланг аккуратно, чтобы он не перекрутился и не запутался.
- Не позволяйте пользоваться устройством детям или не обученным лицам.
- Перед началом процедуры очистки закройте двери и окна. Освободите участок, подлежащий очистке, от мусора, игрушек, садовой мебели и других

предметов, которые могут представлять риск.

- Не поднимайте и не несите изделие с работающим двигателем.
- Не используйте инструмент при температуре ниже 0°C.
- Не используйте с инструментом кислоты, щелочи, растворители, воспламеняющиеся материалы, отбеливатели и технические растворы. Такие вещества могут стать причиной травмы оператора и нанести непоправимый ущерб инструменту.
- Используйте инструмент на ровной поверхности.

⚠ ОСТОРОЖНО! Струя высокого давления при неправильном использовании является источником опасности. Струю нельзя направлять на людей, животных, электрические приборы, а также на сам инструмент.

- Ручку с кнопкой пуска крепко держите двумя руками. Имейте в виду, что ручка может выдернуться при нажатии на кнопку пуска под воздействием реактивной силы. Если ручка удерживается недостаточно крепко, может произойти потеря управления и оператор или другие люди могут получить травмы.
- Перед включением инструмента убедитесь, что в шланге и насосе нет воздуха. Для удаления воздуха из шланга и насоса подсоедините насос к водопроводу с помощью садового шланга, подсоедините спусковую рукоять к насосу с помощью шланга высокого давления, отключите блокировку спусковой рукояти, нажмите и удерживайте рукоять до установления равномерного потока.
- Работайте осторожно, чтобы не поскользнуться и не упасть.
- Держать устойчивую опору и баланс. Не перенапрягать. Перенапряжение может кончатся потерей баланса.
- Только используйте принадлежности, одобренные изготовителем. Использование ненадлежащих приспособлений может привести к телесным повреждениям.
- Никогда не оставляйте работающий инструмент без присмотра. Выключите

изделие. Не оставляйте инструмент без присмотра до его полного отключения.

- Изучите органы управления инструментом. Узнайте, как можно остановить инструмент и быстро спустить давление.
- Соблюдайте осторожность и осуществляйте контроль. Будьте внимательны во время работы и руководствуйтесь здравым смыслом.
- Воздержитесь от использования изделия, если вы ощущаете усталость или болезненное состояние, а также под воздействием наркотиков, алкоголя или медицинских препаратов. Малейшая невнимательность при работе с устройством может привести к серьезным травмам.
- Не пользуйтесь устройством, если выключатель не включается или не выключается. Любое изделие с неработающим выключателем представляет опасность и должно быть отремонтировано.
- При очистке транспортных средств соблюдайте минимальную дистанцию 30 см. Струя высокого давления может повредить или прорвать шины и/или клапаны шин транспортного средства.
- Используйте шланг, имеющий максимальную длину 15 м и минимальный диаметр 18 мм (3/4 дюйма)
- Перед каждым использованием проверяйте надежность установки принадлежности на пистолете.

ЗАЩИТА ОТ ПЕРЕГРУЗОК

Данное продукт оборудован устройством защиты от перегрузки, которое срабатывает при перегреве или токовом выбросе, автоматически отключая питание продукта. Для возобновления работы отключите устройство от сети питания, выждите приблизительно 15 минут и снова подключите устройство к сети питания.

ТРАНСПОРТИРОВКА И ХРАНЕНИЕ

⚠ ПРЕДОСТЕРЕЖЕНИЕ! При выборе участка хранения и при транспортировке учитывайте вес инструмента для предотвращения повреждений и травм.

- Выключите инструмент, отключите его от источника питания и дайте инструменту остыть. Перед помещением инструмента на хранение и транспортировкой отключите инструмент от водоснабжения. Инструмент всегда должен находиться только в вертикальном положении.
- Очистите устройство от всех посторонних материалов. Храните его в прохладном, сухом, хорошо проветриваемом и недоступном для детей месте. Оберегайте от веществ, вызывающих коррозию, например, садовых удобрений или соли для удаления льда. Запрещается хранить изделие на улице.
- Перед помещением инструмента на хранение удалите воду из всех шлангов и насоса и опустошите бак для моющего раствора.
- Для транспортировки закрепите изделие так, чтобы оно не могло перемещаться или упасть во избежание травмирования персонала или повреждения изделия.
- Храните изделие только в помещении. Хранение изделия при температуре ниже 0°C приведет к его поломке.

ОБСЛУЖИВАНИЕ

- Используйте только оригинальные запчасти, аксессуары и насадки от производителя. Невыполнение этого требования может привести к травме, к снижению производительности и к аннулированию гарантии.
- Обслуживание требует чрезвычайной заботы и знания и должно быть выполнено только квалифицированным техником обслуживания. Обратитесь в авторизованный сервисный центр.
- Выключите изделие и отсоедините вилку от источника питания. Отключите инструмент от водоснабжения. Дождитесь, пока инструмент остынет.
 - перед техническим обслуживанием
 - перед устранением засора
 - перед проверкой, чисткой и техобслуживанием продукта;
- Вы можете выполнять работы по регулировке и обслуживанию, которые описаны в данном руководстве. Для проведения других ремонтных работ или за получением рекомендаций обращайтесь в авторизованный сервисный центр.

- Регулярно проводите осмотр и техническое обслуживание очистителя высокого давления для безопасной его эксплуатации. RYOBI рекомендует проводить осмотр инструмента каждые 6 месяцев.
- Проверить все болты, задвижки, и винты, черезкороткие интервалы, на надлежащую плотность, чтобы убедиться, что изделие находится в безопасном, рабочем состоянии. В случае повреждения какой-либо детали необходимо обратиться в авторизованный сервисный центр для выполнения надлежащего ремонта или замены.

ИЗУЧИТЕ УСТРОЙСТВО

См. стр. 145.

1. Транспортировочная рукоятка
2. Фиксатор кабеля питания
3. Выключатель ВКЛ/ВЫКЛ
4. Руководство пользователя
5. Винт с рукояткой
6. Фильтр впускного отверстия для воды
7. Водовпускное отверстие
8. Кабель питания
9. Кнопка высвобождения шланга
10. Водовыпускное отверстие
11. Держатель пистолета
12. Удлинительная форсунка
13. Предохранитель кнопки пуска
14. Курковый выключатель
15. Кнопка блокировки шланга
16. Шланг высокого давления
17. Регулируемая форсунка
18. Садовый шланг
19. Моющее средство RYOBI
20. Соединитель садового шланга
21. Турбо-форсунка
22. Бутылка для моющего средства

ПРИМЕЧАНИЕ: При использовании моющего средства ознакомьтесь с паспортом безопасности материала.

УСТРОЙСТВА БЕЗОПАСНОСТИ

- Выключатель ВКЛ/ВЫКЛ
 - Переключатель вкл/выкл предотвращает самопроизвольное срабатывание инструмента.
- Предохранитель кнопки пуска
 - Предохранитель кнопки пуска блокирует спусковой элемент и предотвращает непроизвольный выброс струи высокого давления.

- Перепускной клапан с мембранным выключателем
 - Перепускной клапан не допускает превышения допустимого рабочего давления. Если рычаг на спусковом механизме отпущен, мембранный выключатель отключает насос и подача воды под высоким давлением прекращается. Если потянуть за рычаг, насос снова включится.
- Защита от перегрузок
 - Температурный датчик защищает изделие от перегрузки. При перегрузке изделие автоматически отключается.

УСЛОВНЫЕ ОБОЗНАЧЕНИЯ НА ПРОДУКТЕ



Перед началом работы с изделием внимательно ознакомьтесь со всеми инструкциями. Соблюдайте технику безопасности.



Инструмент класса II, двойная изоляция



Пользуйтесь средствами защиты органов зрения и слуха.



Под напряжением



Инструмент нельзя подключать к сети коммунального водоснабжения питьевой водой без обратного клапана.



Никогда не направляйте распылитель на людей, животных, корпуса транспортных средств, источники электропитания и электрические приборы.



Номинальное давление



Проверните нижнюю часть сопла вправо до упора, чтобы включить режим низкого давления для работы с пеной/моющим средством.



Знак соответствия европейским стандартам



Знак соответствия стандартам Великобритании



Знак Евразийского Соответствия



Знак соответствия Украины



Гарантируемый уровень звуковой мощности

Отработанная электротехническая продукция должна уничтожаться вместе с бытовыми отходами.



Утилизируйте, если имеется специальное техническое оборудование. По вопросам утилизации проконсультируйтесь с местным органом власти или предприятием розничной торговли.

УСЛОВНЫЕ ОБОЗНАЧЕНИЯ В ДАННОМ РУКОВОДСТВЕ



Надевайте нескользящие защитные перчатки для тяжелых условий работы.



Детали или принадлежности, приобретаемые отдельно



Подключение к сетевой розетке



Отсоединение от сетевой розетки



Примечание



Осторожно

Транспортировка:

Категорически не допускается падение и любые механические воздействия на упаковку при транспортировке.

При разгрузке/погрузке не допускается использование любого вида техники, работающей по принципу зажима упаковки.

Хранение:

Необходимо хранить в сухом месте.

Необходимо хранить вдали от источников повышенных температур и воздействия солнечных лучей.

При хранении необходимо избегать резкого перепада температур.

Хранение без упаковки не допускается.

Срок службы изделия:

Срок службы изделия составляет 5 лет.

Не рекомендуется к эксплуатации по истечении 5 лет хранения с даты изготовления без предварительной проверки.

Дата изготовления (код даты) отштампован на поверхности корпуса изделия.

Пример:

W17 Y2015, где Y2015 - год изготовления

W17 – неделя изготовления

Определить месяц изготовления можно согласно приведенной ниже таблице, на примере 2015 года.

Обратите внимание! Количество недель в месяце различается от года в год.

Месяц	Январь	Февраль	Март	Апрель	Май	Июнь	Июль	Август	Сентябрь	Октябрь	Ноябрь	Декабрь	Год
Неделя	01	05	09	14	18	22	27	31	36	40	44	49	2015
	02	06	10	15	19	23	28	32	37	41	45	50	
	03	07	11	16	20	24	29	33	38	42	46	51	
	04	08	12	17	21	25	30	34	39	43	47	52	
	05	09	13	18	22	26	31	35	40	44	48	53	
		14			27								

ПОИСК НЕИСПРАВНОСТЕЙ

Проблема	Возможные причины	Решение
Пульсирующее давление	Насос засасывает воздух	Проверьте герметичность шлангов и соединений.
	Клапаны загрязнены, изношены или забиты	Обратитесь в авторизованный сервисный центр для техобслуживания.
	Уплотнения насоса изношены	Обратитесь в авторизованный сервисный центр для техобслуживания.
Инструмент отключается	Термодатчик включен	Оставьте очиститель на 15 минут для охлаждения.
	Распылитель частично забит	Прочистите сопло.
Изделие пульсирует	Воздух во впускном шланге/насосе	Дайте инструменту поработать с открытой кнопкой пуска до восстановления нормального рабочего давления.
	Недостаточный напор в водопроводе	Проверьте соответствие напора воды необходимым требованиям (смотрите маркировочную табличку). Не используйте длинные и тонкие шланги.
	Распылитель частично забит	Прочистите сопло.
	Водный фильтр заблокирован	Очистите фильтр.
	Шланг перекручен	Выпрямите шланг.
Изделие включается, но вода не подается	Обмерзание насоса/шлангов или принадлежности	Подождите, пока насос, шланги или другая деталь оттают.
	Отсутствует подача воды	Подключите водовпускное отверстие к источнику водоснабжения.
	Водный фильтр заблокирован	Очистите фильтр.
	Распылитель забит	Прочистите сопло.

Najwyższymi priorytetami w trakcie projektowania zakupionej przez Państwa elektrycznej myjki ciśnieniowej były bezpieczeństwo, wydajność i niezawodność.

PRZEZNACZENIE URZĄDZENIA

Elektryczna myjka ciśnieniowa przeznaczona jest do stosowania wyłącznie poza pomieszczeniami. Ze względów bezpieczeństwa produkt należy obsługiwać dwiema rękami.

Produkt jest przeznaczony do domowego użytkowania. Produkt przeznaczony jest do czyszczenia maszyn, pojazdów, budynków, podłóg, narzędzi, elewacji, tarasów i betonowych chodników poprzez usuwanie zabrudzeń przy użyciu czystej wody z dodatkiem detergentu lub bez niego.

Produkt należy stosować w miejscu dobrze oświetlonym.

Nie używać do żadnych innych celów.

⚠ OSTRZEŻENIE! Produkt przeznaczony jest do stosowania z neutralnym środkiem czyszczącym dostarczonym lub zalecanym przez producenta. Stosowanie innych środków czyszczących lub środków chemicznych może niekorzystnie wpływać na bezpieczeństwo produktu.

OGÓLNE OSTRZEŻENIA DOTYCZĄCE BEZPIECZEŃSTWA

⚠ OSTRZEŻENIE! Zapoznaj się ze **wszystkimi zasadami bezpieczeństwa i instrukcjami**. Niezastosowanie się do ostrzeżeń i instrukcji może spowodować porażenie prądem, pożar oraz/lub poważne obrażenia ciała.

- Produkt nie jest przeznaczony do używania przez dzieci lub osoby o ograniczonej sprawności fizycznej lub sensorycznej bądź ograniczonych zdolnościach umysłowych, bądź też pozbawione doświadczenia lub wiedzy. Należy dopilnować, aby dzieci nie bawiły się produktem.
- Podczas pracy urządzenie należy nosić kompletny zestaw środków ochrony indywidualnej, takich jak obuwie, rękawice ochronne, bezpieczne hełmy z osłoną i ochrona słuchu. Stosować wyłącznie wysoce wytrzymałe osłony oczu z zabezpieczeniem przed rozpryskami cieczy.

⚠ OSTRZEŻENIE! Nie używać produktu, gdy w jego zasięgu przebywają ludzie, o ile nie noszą oni odzieży ochronnej.

- Dzieci i goście powinni przebywać z dala od produktu, tak by można było zmniejszyć ryzyko obrażeń. Osoby postronne powinny mieć założone okulary ochronne i zachowywać bezpieczną odległość do miejsca pracy.
- Należy upewnić się, że urządzenia zabezpieczające znajdują się w dobrym stanie technicznym. Przed każdym użyciem upewnić się, czy wszystkie urządzenia zabezpieczające działają prawidłowo.
- Nie używać produktu, jeśli istotne części, takie jak zabezpieczenia, węże wysokociśnieniowe lub pistolet, są uszkodzone.
- Zachować ostrożność w trakcie pociągania za spust. Mocno trzymać uchwyt pistoletu obiema dłońmi, aby uniknąć obrażeń spowodowanych jego odrzutem.

⚠ OSTRZEŻENIE! Podczas stosowania myjek ciśnieniowych mogą powstawać aerozole. Wdychanie aerozoli może być niebezpieczne dla zdrowia. W zależności od zastosowania do czyszczenia pod wysokim ciśnieniem można stosować dysze osłonięte, co zmniejszy emisję aerozoli wodnych. Użycie takiego osprzętu nie jest jednak możliwe w przypadku wszystkich zastosowań. W przypadku gdy w celu ochrony przed aerozolami nie zostaną zastosowane dysze osłonięte, konieczne może być zastosowanie maski oddechowej klasy FFP 2 lub równoważnej, w zależności od warunków mycia.

- Zawsze zatrzymywać produkt, który pozostawiany jest bez nadzoru.
- Strumień pod wysokim ciśnieniem jest niebezpieczny w przypadku nieprawidłowego stosowania. Nie kierować strumienia w stronę ludzi, sprzętu elektrycznego pod napięciem lub samego produktu.
- Aby uniknąć ryzyka wybuchu, nie rozpylać cieczy łatwopalnych.
- Nie kierować strumienia na siebie lub inne osoby w celu oczyszczenia ubrań lub obuwia.
- Nie używać produktu do czyszczenia urządzeń elektronicznych, odzieży lub obuwia.

- Stosowanie wysokociśnieniowych węży, złączek i innych elementów osprzętu jest istotne dla bezpieczeństwa produktu. Stosować wyłącznie węże, złączki i inne elementy osprzętu zalecane przez producenta.
- Długotrwałe użytkowanie narzędzia może spowodować obrażenia ciała lub nasilić dolegliwości zdrowotne. W przypadku używania narzędzia przed dłuższy czas należy pamiętać o regularnych przerwach.

⚠ UWAGA Produkt nie może być zasilany ze źródła wody pitnej bez zabezpieczającego przed przepływem zwrotnym przerywacza próżni zgodnego z normą EN 12729 typ BA.

Woda przepływająca przez zabezpieczający przed przepływem zwrotnym przerywacz próżni jest uważana za niezdatną do picia. Podczas podłączania produktu do linii wodociągowej należy bezwzględnie przestrzegać przepisów lokalnego zakładu wodociągowego.

OSTRZEŻENIA ZWIĄZANE Z BEZPIECZEŃSTWEM ELEKTRYCZNYM

- Wtyczka musi pasować do gniazda elektrycznego. Nie wolno modyfikować wtyczek w żaden sposób. Stosowanie oryginalnych wtyczek i dopasowanych gniazd sieciowych zmniejsza ryzyko porażenia prądem.
- Nie używać produktu, jeśli kabel zasilający lub inne ważne części, takie jak zabezpieczenia, są uszkodzone.
- Przed każdym użyciem sprawdzić przewód zasilający i przedłużacz pod kątem uszkodzeń. Uszkodzony przewód zasilający lub przedłużacz musi zostać wymieniony przez producenta, jego serwisanta lub osoby posiadające podobne kwalifikacje, tak by można było uniknąć zagrożenia.
- Przed każdym użyciem należy sprawdzić, czy przewód zasilający nie jest uszkodzony. W przypadku stwierdzenia oznak uszkodzenia należy oddać urządzenie do naprawy wykwalifikowanemu specjalście do autoryzowanego punktu serwisowego, aby uniknąć zagrożenia.
- Przewód zasilania trzymać z dala od źródeł ciepła, oleju i ostrych krawędzi.
- Nigdy nie dotykać wtyczki przewodu zasilania ani gniazda mokrymi dłońmi.
- Nieodpowiednie przedłużacze mogą być niebezpieczne. Stosowany przedłużacz

powinien nadawać się do stosowania na zewnątrz, a połączenie musi być zawsze suche oraz znajdować się nad gruntem. Stosować przedłużacz ze szpulą, tak by gniazdo znajdowało się co najmniej 60 mm nad gruntem.

- Połączenie elektryczne musi zostać wykonane przez wykwalifikowanego elektryka i zgodne z normą IEC 60364-1. Zaleca się, aby obwód zasilający produkt zawierał wyłącznik różnicowoprądowy przerywający zasilanie w przypadku gdy natężenie prądu upływającego do ziemi przekroczy 30 mA przez ponad 30 ms bądź urządzenie zapewniające poprawność działania obwodu uziemienia.

DODATKOWE OSTRZEŻENIA DOTYCZĄCE BEZPIECZEŃSTWA

- W niektórych regionach obowiązują przepisy ograniczające używanie produktu. Informacje na ten temat można uzyskać w lokalnych urzędach.
- Przed każdym użyciem sprawdzić produkt pod kątem braku uszkodzeń. Uszkodzony wąż wysokociśnieniowy należy natychmiast wymienić. Upewnić się, czy wszystkie połączenia, takie jak połączenie węża wysokociśnieniowego i dyszy, są bezpieczne. Rozwijać wąż prawidłowo, tak by nie został skręcony lub zagięty.
- Nie wolno zezwalać dzieciom ani osobom bez odpowiedniego przeszkolenia na korzystanie z tego urządzenia.
- Przed rozpoczęciem mycia zawsze zamykać drzwi i okna. Z przeznaczonej do czyszczenia powierzchni należy usunąć gruz, zabawki, meble ogrodowe i inne przedmioty, które mogłyby spowodować zagrożenie.
- Nigdy nie wolno podnosić ani przenosić produktu, gdy silnik pracuje.
- Nie używać produktu w temperaturach poniżej 0°C.
- Nie stosować w produkcji kwasów, ługów, rozpuszczalników, materiałów łatwopalnych, wybielaczy ani roztworów przemysłowych. Produkty te mogą spowodować fizyczne obrażenia operatora i nieodwracalne uszkodzenie urządzenia.
- W trakcie pracy zawsze stawiać produkt na poziomej powierzchni.

⚠ OSTRZEŻENIE! Strumień pod wysokim ciśnieniem może być niebezpieczny w przypadku nieprawidłowego stosowania. Strumienia nie wolno kierować w stronę ludzi, zwierząt, urządzeń elektrycznych lub samego produktu.

- Uchwyt pistoletu należy trzymać oburącz. Po naciśnięciu spustu należy spodziewać się odrzutu spowodowanego siłami reakcji. Niespełnienie tego warunku może spowodować utratę kontroli i obrażenia operatora oraz innych osób.
- Przed włączeniem produktu upewnić się, czy z węża i pompy usunięte zostało powietrze. Aby usunąć powietrze z węża i pompy, podłączyć dopływ wody do pompy przy użyciu węża ogrodowego, podłączyć pistolet do pompy za pomocą węża wysokociśnieniowego, zwolnić blokadę pistoletu i nacisnąć spust do momentu gdy strumień ustabilizuje się.
- Zachować ostrożność, aby uniknąć poślizgu lub upadku.
- Stać stabilnie, zachowując równowagę. Nie sięgać zbyt daleko. Sięganie zbyt daleko grozi utratą równowagi.
- Należy stosować wyłącznie przystawki zatwierdzone przez producenta. Zastosowanie niewłaściwych akcesoriów grozi zranieniem.
- Nigdy nie pozostawiać włączonego produktu bez nadzoru. Wyłączyć produkt. Nie odchodzić od produktu przed całkowitym wyhamowaniem.
- Zapoznać się z elementami sterującymi. Zapoznać się ze sposobami zatrzymywania produktu i szybkiego zmniejszania ciśnienia.
- Zachować ostrożność i nie dopuszczać do utraty kontroli nad urządzeniem. Obserwować miejsce pracy i wykonywane czynności, zachować zdrowy rozsądek.
- Nie obsługiwać tego urządzenia w stanie zmęczenia, choroby, będąc pod wpływem alkoholu, środków odurzających lub leków. Chwila nieuwagi podczas obsługi urządzenia może spowodować poważne urazy ciała.
- Nie wolno używać tego urządzenia, jeśli wyłącznik nie pracuje poprawnie. Używanie urządzenia bez sprawnego wyłącznika jest zbyt niebezpieczne - należy oddać je do naprawy.

- W trakcie mycia pojazdów zachować minimalną odległość 30 cm. Strumień pod wysokim ciśnieniem może spowodować uszkodzenie lub rozerwanie opon lub wentyli opon pojazdu.
- Stosować wąż ogrodowy o maksymalnej długości 15 m i minimalnej średnicy 18 mm (3/4 cala)
- Przed każdym użyciem należy upewnić się, że akcesorium jest dobrze przymocowane do pistoletu.

ZABEZPIECZENIE PRZECIĄŻENIOWE

Produkt posiada zabezpieczenie przeciążeniowe, które uruchamia się w chwili przegrzania lub skoku natężenia prądu, wyłączając automatycznie dopływ zasilania do produktu. Aby wznowić działanie, należy odłączyć produkt od źródła zasilania, odczekać około 15 minut i ponownie podłączyć produkt do źródła zasilania.

TRANSPORT I PRZECHOWYWANIE

⚠ UWAGA! Przy wyborze miejsca przechowywania i w trakcie transportu zwracać uwagę na ciężar produktu, aby zapobiec wypadkom i urazom.

- Zatrzymać produkt, odłączyć od zasilania i pozostawić do ostygnięcia. Przed rozpoczęciem przechowywania lub transportu odłączyć produkt od sieci wodociągowej. Nigdy nie umieszcza produktu w pozycji innej niż pionowa.
- Usunąć z produktu wszelkie zanieczyszczenia. Należy przechowywać urządzenie w chłodnym, suchym i dobrze wentylowanym miejscu, które jest niedostępne dla dzieci. Nie przechowywać urządzenia wraz z materiałami korozyjnymi, takimi jak ogrodowe substancje chemiczne lub sól odmrażająca. Nie przechowywać produktu poza pomieszczeniami.
- Przed rozpoczęciem przechowywania produktu usunąć wodę ze wszystkich przewodów i pompy oraz opróżnić zbiornik na detergent.
- W przypadku transportu produktu należy zabezpieczyć go przed przemieszczaniem się lub upadkiem, aby nie dopuścić do obrażeń ciała lub uszkodzenia urządzenia.
- Produkt należy przechowywać wyłącznie w pomieszczeniach zamkniętych.

Przechowywanie w temperaturze poniżej 0°C spowoduje uszkodzenie produktu.

KONSERWACJA

- Należy stosować wyłącznie oryginalne części zamienne, akcesoria oraz przystawki producenta. W przeciwnym razie może dość do obrażeń ciała, niskiej wydajności oraz do unieważnienia gwarancji.
- Serwisowanie wymaga wyjątkowej staranności i wiedzy. Może być wykonywane wyłącznie przez wykwalifikowany personel serwisowy. Serwisowanie należy powierzać wyłącznie autoryzowanemu serwisowi.
- Wyłączyć produkt i wyjąć wtyczkę z gniazdko. Odłączyć produkt od źródła wody. Począkać, aż produkt ostygnie:
 - przed serwisowaniem
 - przed usunięciem zatoru
 - przed sprawdzeniem, czyszczeniem i użytkowaniem produktu,
- Użytkownik może jedynie wykonywać czynności regulacyjne i naprawcze opisane w tej instrukcji obsługi. W przypadku innych napraw lub pytań należy zwrócić się o pomoc do autoryzowanego punktu serwisowego.
- Regularnie sprawdzać i konserwować myjkę ciśnieniową w celu zapewnienia bezpiecznej pracy. RYOBI zaleca przeprowadzanie inspekcji produktu co 6 miesięcy(-ące).
- Systematycznie sprawdzać, czy wszystkie nakrętki, wkręty i śruby są dobrze dokręcone, aby upewnić się, że produkt jest w bezpiecznym stanie. Każdą uszkodzoną część należy odpowiednio naprawić lub wymienić w autoryzowanym punkcie serwisowym.

POZNAJ SWÓJ PRODUKT

Patrz str. 145.

1. Uchwyt do przenoszenia
2. Uchwyt przewodu zasilającego
3. Wyłącznik WŁĄCZENIE/WYŁĄCZENIE
4. Instrukcja obsługi
5. Śruba uchwytu
6. Filtr wlotowy wody
7. Otwór wlotowy wody
8. Przewód zasilania
9. Przycisk zwalniania węża
10. Otwór wylotowy wody
11. Uchwyt na pistolet

12. Lanca przedłużająca
13. Blokada spustu
14. Przycisk uruchamiający
15. Przycisk blokujący wąż
16. Wąż wysokociśnieniowy
17. Lanca Vario
18. Wąż ogrodowy
19. Detergent RYOBI
20. Złączka węża ogrodowego
21. Lanca turbo
22. Butelka na detergent

UWAGA: W przypadku stosowania detergentu należy zapoznać się z jego Kartą Charakterystyki Substancji Niebezpiecznej.

ELEMENTY SYSTEMU BEZPIECZEŃSTWA

- Wyłącznik WŁĄCZENIE/WYŁĄCZENIE
 - Wyłącznik zapobiega niezamierzonemu włączeniu produktu.
- Blokada spustu
 - Blokada spustu blokuje spust i zapobiega przypadkowemu włączeniu strumienia wysokociśnieniowego.
- Zawór przelewowy z przełącznikiem ciśnieniowym
 - Zawór przelewowy zapobiega przekroczeniu dopuszczalnego poziomu ciśnienia roboczego. W przypadku zwolnienia spustu pistoletu przełącznik ciśnieniowy wyłącza pompę, a strumień wody pod wysokim ciśnieniem zostaje zatrzymany. W przypadku pociągnięcia spustu pompa włącza się ponownie.
- Zabezpieczenie przeciążeniowe
 - Czujnik termiczny chroni produkt przez przeciążeniem. Przegrzewający się produkt automatycznie odcina zasilanie.

SYMBOLE PRODUKTU



Przed przystąpieniem do obsługi produktu należy przeczytać ze zrozumieniem wszystkie instrukcje. Należy przestrzegać wszystkich ostrzeżeń i instrukcji dotyczących bezpieczeństwa.



Narzędzie klasy II, podwójna izolacja



Zakładać środki ochrony wzroku i słuchu.



Pod napięciem



Produkt nie jest przystosowany do podłączania do sieci wody pitnej bez urządzenia zapobiegającego przepływowi zwrotnemu.



Nigdy nie kierować końcówki natryskowej w stronę ludzi, zwierząt, korpusu produktu, źródeł zasilania lub jakichkolwiek urządzeń elektrycznych.



Ciśnienie znamionowe



Obrócić dolną część dyszy do oporu w prawo, aby włączyć tryb niskiego ciśnienia dla środka spieniającego/detergentu.



Symbol zgodności z przepisami europejskimi



Symbol zgodności z przepisami brytyjskimi



Oznaczenie zgodności EurAsian



Symbol zgodności z przepisami ukraińskimi



Gwarantowany poziom mocy akustycznej



Zużyte produkty elektryczne nie powinny być utylizowane z odpadami domowymi. Prosimy poddawać recyklingowi w odpowiednich miejscach. Informacje o właściwych metodach recyklingu można uzyskać u władz lokalnych lub sprzedawcy.

SYMBOLE STOSOWANE W NINIEJSZEJ INSTRUKCJI



Nosić nieślizgające się, trwałe rękawice ochronne.



Części lub akcesoria sprzedawane osobno



Podłączyć do gniazda zasilania



Odłączyć z gniazda zasilania



Uwaga



Ostrzeżenie!

ROZWIĄZYWANIE PROBLEMÓW

Problem	Możliwa przyczyna	Rozwiązanie
Wahania ciśnienia	Pompa zasysa powietrze	Sprawdzić, czy węże i połączenia są szczelne.
	Brudne, zużyte lub zakleszczone zawory	Serwisowanie produktu należy zlecić autoryzowanemu przedstawicielowi serwisu.
	Zużyte uszczelki pompy	Serwisowanie produktu należy zlecić autoryzowanemu przedstawicielowi serwisu.
Urządzenie zatrzymuje się	Czujnik ciepła aktywował się	Odstawić myjkę na 15 minut, aby ostygła.
	Dysza częściowo zablokowana	Oczyścić dyszę.
Produkt pulsuje	Powietrze w wężu doprowadzającym/pompie	Przytrzymać naciśnięty spust i poczekać, aż powróci normalne ciśnienie robocze.
	Nieodpowiednie doprowadzenie wody z sieci	Sprawdzić, czy zasilanie w wodę odpowiada wymaganym parametrom (patrz etykieta modelu). Unikać stosowania długich, cienkich węży.
	Dysza częściowo zablokowana	Oczyścić dyszę.
	Zablokowany filtr wody	Oczyścić filtr.
	Zagięty wąż	Wyprostować wąż.
Produkt uruchamia się, ale nie tłoczy wody	Zamrożona pompa/węże lub akcesorium	Poczekać, aż woda stopnieje w pompie, węzłach lub pozostałych akcesoriach.
	Brak zasilania w wodę	Połączyć otwór wlotowy wody z dopływem wody.
	Zablokowany filtr wody	Oczyścić filtr.
	Dysza zablokowana	Oczyścić dyszę.

Při konstrukci elektrického vysokotlakého čističe hrály hlavní roli bezpečnost, výkon a spolehlivost.

ZAMÝŠLENÉ POUŽITÍ

Elektrický vysokotlaký čistič je určen pouze k venkovnímu použití. Z bezpečnostních důvodů je nutné s produktem řádně manipulovat oběma rukama.

Výrobek je navržen pro domácí používání. Je určen k čištění strojů, vozidel, budov, podlah, náradí, fasád, teras a betonových cestiček. Odstraňuje usazenou špínu pomocí čisté vody s čisticím prostředkem nebo bez něj.

Přístroj musí být používán v řádně osvětleném prostředí.

Přístroj nepoužívejte ji k jiným účelům.

⚠ VAROVÁNÍ! Tento výrobek je určen k použití s neutrálním čisticím prostředkem dodávaným nebo doporučeným výrobcem. Použití jiných čisticích prostředků nebo chemikálií může mít nepříznivý dopad na bezpečnost výrobku.

VŠEOBECNÁ BEZPEČNOSTNÍ VAROVÁNÍ

⚠ VAROVÁNÍ! Přečtěte si všechny pokyny a bezpečnostní varování. Opomenutí dodržování varování a pokynů uvedených níže může způsobit úraz elektrinou požár a/nebo vážná poranění osob.

- Výrobek není určen k použití dětmi nebo osobami se sníženou fyzickou, smyslovou nebo duševní schopností nebo s nedostatkem zkušeností a znalostí. Dohlédněte, aby si děti se spotřebičem nehrály.
- Při obsluze výrobku používejte kompletní ochranné pracovní pomůcky, včetně bot, ochranných rukavic, bezpečnostních přileb s hledím a ochranou sluchu. Použijte pouze vysoce nárazuvzdorné hledí s ochranou proti stříkajícím kapalinám.

⚠ VAROVÁNÍ! Výrobek nepoužívejte, pokud jsou v dosahu lidé bez ochranného oblečení.

- Ke snížení rizika úrazu udržujte mimo dosah dětí a přihlížejících. Všichni přihlížející musí mít nasazeny bezpečnostní brýle a musí dodržovat bezpečnou vzdálenost od místa výkonu práce.
- Udržujte bezpečnostní prvky v dobrém funkčním stavu. Před každým použitím se ujistěte, že všechny bezpečnostní prvky správně fungují.

- Výrobek nepoužívejte, pokud jsou poškozené důležité díly jako bezpečnostní prvky, vysokotlaké hadice nebo spouštěcí pistole.
- Při obsluze spouště dbejte zvýšené opatrnosti. Uchopte rukojeť spouště pevně oběma rukama, aby nedošlo při zpětném rázu rukojeti spouště k úrazu.

⚠ VAROVÁNÍ! Během použití vysokotlakých čističů může dojít k tvorbě aerosolů. Vdechnutí aerosolu může být zdraví škodlivé. V závislosti na účelu použití můžete k vysokotlakému čištění použít kryté trysky, které sníží emisi vodnatých aerosolů. Takovéto zařízení není však možné použít pro všechny účely. Pokud nelze kryté trysky k ochraně proti aerosolům použít, budete podle podmínek potřebovat ochrannou dýchací masku třídy FFP 2 nebo její obdobu.

- Nikdy nenechávejte zapnutý výrobek bez dozoru.
- Při nesprávném použití je vysokotlaký proud nebezpečný. Nemiřte proud na lidi, elektrické zařízení pod proudem ani na samotný výrobek.
- Z důvodu prevence rizika výbuchu nestříkejte na hořlavé kapaliny.
- Nemiřte proud na sebe ani na druhé za účelem umytí oděvů či obuvi.
- Výrobek nepoužívejte k čištění elektronického zařízení, oblečení či obuvi.
- Vysokotlaké hadice, fitinky a spojky jsou důležité pro bezpečnost výrobku. Používejte pouze hadice, fitinky a spojky doporučené výrobcem.
- Poranění mohou být způsobena, či zhoršena, prodlouženým používáním nástroje. Když používáte jakýkoliv nástroj delší dobu, dělejte pravidelně přestávky.

⚠ UPOZORNĚNÍ Výrobek nesmí být používán na přívodu pitné vody bez instalace zábrany proti zpětnému průtoku, který vyhovuje normě EN 12729 typu BA. Voda proudící zábranou zpětného průtoku není pitná. Při připojování výrobku k rozvodu pitné vody se vždy řiďte nařízenými místními vodáren.

VAROVÁNÍ

- Elektrické zástrčky musí být shodné s elektrickou zásuvkou. Nepokoušejte se zástrčku jakýmkoliv způsobem upravovat. Neupravené zástrčky a shodné zásuvky snižují nebezpečí elektrického úrazu.
- Výrobek nepoužívejte, pokud je poškozený napájecí kabel nebo některé důležité díly jako bezpečnostní prvky.

- Před použitím se jistěte, že není napájecí a prodlužovací kabel poškozený. Pokud je napájecí nebo prodlužovací kabel poškozen, musí jej nahradit výrobce, jeho servisní technik nebo srovnatelně kvalifikovaná osoba, aby se předešlo možnému riziku.
- Před každým použitím zkontrolujte napájecí kabel na poškození. Pokud jeví známky poškození, je nutná výměna kvalifikovanou osobou v pověřeném servisním středisku, aby se předešlo nebezpečí.
- Dávejte pozor, aby se napájecí kabel nedostal do kontaktu s horkem, olejem nebo ostrými hranami.
- Nikdy se nedotýkejte zásuvek a zástrček mokřými rukama.
- Nedostačující prodlužovací kabel může být nebezpečný. Prodlužovací kabel musí být vhodný k použití venku a připojení musí být suché a nad zemí. Použijte kabelovou cívku, aby byla zásuvka alespoň 60 mm nad zemí.
- Elektrické připojení musí zajistit kvalifikovaný elektrikář a musí vyhovovat normě IEC 60364-1. Doporučujeme, aby elektrický přívod k výrobku obsahoval buď ochranu proti zbytkovému proudu, který ruší přívod elektriny při přívodu proudu do zemniče nad 30 mA za 30 ms, nebo zařízení proti zkratu.

DOPLŇUJÍCÍ BEZPEČNOSTNÍ VAROVÁNÍ

- Místní předpisy mohou omezovat použití výrobku. Ověřte si u svého orgánu místní správy toto nařízení.
 - Před každým použitím přístroj zkontrolujte, zda není poškozený. Poškozená vysokotlaká hadice musí být okamžitě vyměněna. Ujistěte se, že všechna příslušenství jako vysokotlaká hadice a tryska jsou bezpečně připevněná. Řádně hadici narovnejte, aby se nezalomila nebo nezkroutila.
 - Nenechávejte děti nebo neproškolené osoby používat tento přístroj.
 - Před začátkem čištění zavřete dveře a okna. Ukliděte čištěný prostor a odstraňte veškeré volné předměty, hračky, venkovní nábytek a jiné věci, které by mohly způsobit problém.
 - Nikdy výrobek nepřevracejte ani nepřeházejte, pokud je motor v chodu.
 - Výrobek nepoužívejte při teplotách pod 0 °C.
 - S výrobkem nepoužívejte kyseliny, rozpouštědla, hořlavý materiál, bělidla ani průmyslové roztoky. Tyto výrobky mohou způsobit fyzickou újmu uživateli a nezvratně poškodit výrobek.
 - Výrobek vždy používejte na vodorovném povrchu.
- ⚠ **VAROVÁNÍ!** Při nesprávném použití může být vysokotlaký proud nebezpečný. Proud nesmíte mířit na lidi, zvířata, elektrická zařízení ani na samotný výrobek.
- Oběma rukama pevně uchopte rukojeť spouště. Buďte připraveni, že při zmáčknutí spouště rukojeť kvůli reakčním silám cukne. Jinak byste mohli ztratit nad výrobkem kontrolu a ublížit sobě a ostatním.
 - Před spuštěním výrobku nejdříve vypustte vzduch z hadice a čerpadla. Vzduch z hadice a čerpadla odstraňte tak, že připojíte vodní zdroj k čerpadlu pomocí zahradní hadice, připojte rukojeť spouště k čerpadlu pomocí vysokotlaké hadice, odpojte zámek spouště a zmáčkněte spoušť, dokud nezačne proudit voda.
 - Dávejte pozor, abyste neuklouzli nebo nespadli.
 - Udržujte bezpečné postavení a rovnováhu. Nepřeceňujte se. Přeceňování může způsobit ztrátu rovnováhy.
 - Používejte pouze příslušenství schválené výrobcem. Použití nesprávného příslušenství může způsobit nebezpečí poranění.
 - Nikdy nenechávejte čistič v chodu bez dozoru. Vypněte produkt. Neodcházejte od čističe, dokud se úplně nezastaví.
 - Obeznamte se z ovládacími prvky. Zjistěte, jak výrobek zastavit a rychle uvolnit tlak.
 - Buďte ostražití a obezřetní. Sledujte to, co děláte a používejte cit.
 - Pílu nepoužívejte při únavě nebo v nemoci ani pod vlivem drog, alkoholu nebo léků. Chvilke nepozornosti při práci s tímto výrobkem může způsobit vážná osobní poranění.
 - Výrobek nepoužívejte, pokud přepínač nezapíná nebo nevypíná. Elektrický nástroj, který nemůže být ovládán spínačem, je nebezpečný a musí být opraven.

- Při čištění vozidel udržujte minimálně 30cm odstup. Pod vysokotlakým proudem může dojít k poškození nebo prasknutí pneumatik, popř. ventilků.
- Použijte hadici o max. délce 15 m a s min. průměrem 18 mm.
- Před používáním vždy zajistěte, aby byly doplňky pevně připevněny k rukojeti spouště.

OCHRANA PROTI PŘETÍŽENÍ

Výrobek má ochranu proti přetížení, která se aktivuje, když dojde k přehřátí či proudové špičce, to je, že se automaticky vypne pohon výrobku. Pro obnovení funkce odpojte výrobek od napájení, vyčkejte cca 15 minut a znovu připojte výrobek k napájení.

TRANSPORT A SKLADOVÁNÍ

⚠ VAROVÁNÍ! Při výběru místa ke skladování a během přepravy vezměte v úvahu hmotnost výrobku, aby nedošlo k nehodám či úrazům.

- Zastavte výrobek, odpojte ze zdroje elektrického napájení a nechte jej vychladnout. Před uschováním nebo přepravou odpojte výrobek od přívodu vody. Nikdy nepokládejte výrobek jinak než na výšku.
- Odstraňte z výrobku všechnen cizí materiál. Ukládejte v chladných, suchých a dobře větraných prostorech, které nejsou přístupné dětem. Udržujte produkt mimo korozivní materiály, například zahrádkářské chemikálie a rozmrazovací soli. Výrobek neskladujte venku.
- Před uschováním výrobku odstraňte vodu ze všech hadic i čerpadla a vyprázdněte nádobu na čisticí prostředky.
- Při transportu výrobku zajistěte proti pohybům nebo pádu, abyste zabránili poranění osob nebo poškození výrobku.
- Přístroj ukládejte pouze ve vnitřním prostoru. Skladování výrobku v prostoru s teplotou pod 0 °C jej poškodí.

ÚDRŽBA

- Používejte pouze originální příslušenství, doplňky a náhradní díly výrobce. Zanedbání může zapříčinit možné poranění, slabý výkon a může dojít ke ztrátě záruky.

- Údržba vyžaduje extrémní péči a znalosti a měla by být prováděna pouze kvalifikovaným servisním technikem. Výrobek nechte opravit pouze v pověřeném servisu.

- Vypněte přístroj a odpojte zástrčku ze zdroje proudu. Odpojte přístroj od přívodu vody. Nechte přístroj vychladnout:

- před servisem
- před čištěním usazenin
- před kontrolou, čištěním nebo prací na nástroji,

- Můžete provádět pouze v návodu k obsluze uvedené opravy a seřízení. Pro jiné opravy nebo poradenství, požádejte o pomoc autorizované servisní středisko.

- K zajištění bezpečného provozu pravidelně vysokotlaký čistič kontrolujte a provádějte jeho údržbu. RYOBI doporučuje kontrolu výrobku každých 6 měsíců.

- Zkontrolujte všechny šrouby, matice v častých intervalech na řádné utažení, aby se zajistilo, že výrobek bude pracovat v bezpečných pracovních podmínkách. Jakýkoliv poškozený díl je nutné správně opravit nebo nechat vyměnit v autorizovaném servisním středisku.

POZNEJTE SVŮJ NÁSTROJ

Viz *strana 145*.






1. Obslužná rukojeť
2. Držák napájecího kabelu
3. Spínač ZAPNUTO/VYPNUTO
4. Návod k obsluze
5. Šroub rukojeti
6. Vstupní vodní filtr
7. Napojení přítoku vody
8. Napájecí kabel
9. Tlačítko uvolňující hadici
10. Napojení odtoku vody
11. Držák spouště
12. Prodloužená tryska
13. Zámek spouště
14. Spoušť
15. Aretační tlačítko hadice
16. Vysokotlaká hadice
17. Vario tryska
18. Zahradní hadice
19. Čisticí prostředek RYOBI
20. Přípojka k zahradní hadici
21. Turbo tryska
22. Lahev na saponát

POZNÁMKA: Při používání saponátu se obeznamte s údaji v jeho bezpečnostním listu.

BEZPEČNOSTNÍ ZAŘÍZENÍ

- Spínač ZAPNUTO/VYPNUTO
 - Hlavní vypínač brání neúmyslnému spuštění výrobku.
- Zámek spouště
 - Zámek spouště blokuje spoušť a brání tak neúmyslnému otevření vysokotlaké trysky.
- Přetlakový ventil s tlakovým spínačem
 - Přetlakový ventil brání překročení povoleného provozního tlaku. Při uvolnění páčky na spouštěcí pistolí vypíná tlakový spínač čerpadlo a zastavuje vysokotlaký proud. Při zatažení za páčku se čerpadlo opět zapne.
- Ochrana proti přetížení
 - Teplotní snímač chrání zařízení před přetížením. Při přehřátí se zařízení automaticky vypne.

SYMBOLY NA VÝROBKU

-  Před používáním výrobku se obeznamte se všemi pokyny. Dbejte na všechna upozornění a dodržujte bezpečnostní pokyny.
-  Zařízení třídy II, dvojitě izolováno
-  Použití ochrany očí a sluchu.
-  Pod napětím
-  Čistič není vhodný pro připojení k vodovodu s pitnou vodou bez zpětného ventilu.
-  Nikdy nemiřte stříkací tyč na lidi, zvířata, tělo stroje, zdroj elektrického napětí ani na elektrické spotřebiče.
-  Jmenovitý tlak
-  Otočením spodní části trysky úplně doprava aktivujete režim nízkého tlaku pro pěnování/saponát.



Značka shody s evropskými normami



Značka shody s britskými normami



Euroasijská značka shody



Značka shody s ukrajinskými normami



Zaručená hladina akustického výkonu



Odpad elektrických výrobků se nesmí likvidovat v domovním odpadu. Recyklujte prosím na sběrných místech. Ptejte se u místních úřadů nebo prodejce na postup při recyklaci.

SYMBOLY V NÁVODU

-  Navlékněte si pevné neklouzávé pracovní rukavice.
-  Díly nebo příslušenství jsou v prodeji samostatně
-  Zapojení do elektrické zásuvky
-  Odpojení od elektrické sítě
-  Poznámka
-  Varování

ŘEŠENÍ PROBLÉMŮ

Problém	Možná příčina	Řešení
Kolísání tlaku	Čerpadlo nasává vzduch.	Zkontrolujte těsnost hadic a spojů.
	Znečištěné, opotřebované nebo zaseknuté ventily	Pro servis vraťte výrobek do autorizovaného servisního centra.
	Opotřebovaná těsnění čerpadla	Pro servis vraťte výrobek do autorizovaného servisního centra.
Čistič se zastaví	Sepnutí teplotního snímače	Nechte čistič 15 minut vychladnout.
	Částečné ucpání trysky	Vyčistěte trysku.
Pulsování	Vzduch v přívodní hadici / v čerpadle	Nechte čistič v chodu při otevřené spoušti, dokud nedojde k obnovení správného provozního tlaku.
	Nedostatečný přívod vody z řadu	Zkontrolujte splnění technických podmínek přívodu vody (podle přístrojového štítku čističe). Nepoužívejte dlouhé hadice s malým průřezem.
	Částečné ucpání trysky	Vyčistěte trysku.
	Ucpaný vodní filtr	Filtr vyčistěte.
	Zašmodrchaná hadice	Hadici rozmotejte a narovnejte.
Přístroj se zapne, ale nestříká z něj voda	Zamrzlé čerpadlo/hadice nebo příslušenství	Vyčkejte rozmrznutí čerpadla, hadic nebo jiného příslušenství.
	Bez přívodu vody	Připojte vstup vody k přívodu vody.
	Ucpaný vodní filtr	Filtr vyčistěte.
	Ucpání trysky	Vyčistěte trysku.

Villanymotoros nagynyomású tisztítógépe tervezésekor három legfontosabb szempontunk a biztonság, teljesíthetőség és megbízhatóság volt.

RENDELTESSZERŰ HASZNÁLAT

A villanymotoros nagynyomású tisztítógép csak kültéren használható. Biztonsági okokból a terméket kétkezes működtetéssel megfelelő ellenőrzés alatt kell tartani.

A termék otthoni vagy háztartási használatra készült. Rendeltetésszerűen gépek, járművek, épületek, padlók, szerszámok, homlokzatok és beton járófelületek tisztítására használható, amelyekről tisztítószerezrel kevert vagy tiszta vízszugárral letisztítja a makacs szennyeződéseket.

A terméket jól megvilágított feltételek mellett kell használni.

Semmilyen más célra ne használja.

⚠ FIGYELMEZTETÉS! Ellenőrizze a biztonsági elemek, például biztonsági szelepek, folyadékáram-átkapcsolók és nyomáskapcsolók kifogástalan műszaki állapotát. Más tisztítószerek vagy vegyszerek ronthatják a termék biztonságát.

ÁLTALÁNOS BIZTONSÁGI FIGYELMEZTETÉSEK

⚠ FIGYELMEZTETÉS! Olvassa el az összes biztonsági figyelmeztetést és útmutatást. A figyelmeztetések és utasítások be nem tartása elektromos áramütést, tüzet és/vagy súlyos sérülést eredményezhet.

- A terméket nem használhatják gyermekek, korlátozott fizikai, érzékszervi vagy értelmi képességű, illetve kellő tapasztalattal és tudással nem rendelkező személyek. A gyerekekre oda kell figyelni, nehogy játsszanak a termékkel.
- A termék használatakor viseljen teljes egyéni védőfelszerelést, azaz csizmát, védőkesztyűt, szemvédős védősisakot és hallásvédőt. A szemvédő legyen ütés- és folyadéksugár-álló.

⚠ FIGYELMEZTETÉS! Ne használja a terméket védőruházatot nem viselő személyek közelében.

- A sérülések kockázatának csökkentéséhez mindig tartsa távol a terméktől a gyermekeket és látogatókat. Minden látogatónak védőszemüveget kell viselnie,

és biztonságos távolságba kell tartózkodnia a munkaterülettől.

- Biztosítsa, hogy a biztonsági berendezések jó állapotban legyenek. Használat előtt győződjön meg az összes biztonsági elem kifogástalan működéséről.
- Ne használja a terméket, ha megsérültek fontos részei, például biztonsági elemek, nagynyomású tömlők vagy a kezelőpisztoly.
- A pisztoly használatakor legyen elővigyázatos. Fogja a markolatát erősen két kézzel, hogy ne sérüljön meg, amikor a markolat visszarúg.

⚠ FIGYELMEZTETÉS! Nagynyomású tisztítógépek használatakor folyadékköd képződhet. A köd belélegzése egészségre ártalmas lehet. Az alkalmazástól függően a tisztítást végezheti sugárvédős fűvókával, amely csökkenti a vízes köd képződését. Sugárvédős fűvóka azonban nem használható minden alkalmazáshoz. Ha sugárvédős fűvóka nem használható a köd elleni védelemre, szükség lehet FFP 2 vagy egyenértékű osztályú légzésvédő álarcra, a tisztítási környezettől függően.

- Mindig állítsa le a terméket, mielőtt eltávolítja a közeléből.
- A nagynyomású vízszugár veszélyes, ha nem rendeltetésszerűen használják. Ne irányítsa a vízszugarat emberre, feszültség alatt álló villamos berendezésre vagy magára a termékre.
- A robbanásveszély elkerüléséhez ne szórjon gyúlékony folyadékot.
- Ne irányítsa a sugarat önmagára vagy másokra ruházat vagy lábbeli tisztításához.
- Ne tisztítson a termékkel elektronikus eszközöket, ruhát vagy lábbelit.
- A nagynyomású tömlők, szerelvények és csatlakozók fontosak a termék biztonságához. Csak a gyártó által ajánlott tömlőket, szerelvényeket és csatlakozókat használja.
- Hosszabb használat sérülést okozhat. Ha a gépet hosszú időn át kell használnia, tartson gyakran szünetet.

⚠ VIGYÁZAT: A terméket nem szabad az ivóvízhálózatra kötni EN 12729 BA típusú visszafolyásgátló nélkül. A visszafolyásgátlón átfolyó víz nem iható minőségű. Mindig tartsa be a helyi vízszolgáltató rendelkezéseit a terméknek a vízhálózatra kötésekor.

VILLAMOS MUNKAVÉDELMI FIGYELMEZTETÉSEK

- A dugasznak illeszkednie kell az aljzathoz. Semmilyen módon ne módosítsa a dugaszt. A nem módosított és illeszkedő dugasz csökkenti az áramütés kockázatát.
- Ne használja a terméket, ha megsérültek fontos részei, például hálózati kábele vagy biztosító készülékei.
- Minden használat előtt ellenőrizze a hálózati kábel és a hosszabbítókábel sértetlenségét. Ha megsérül az áramkábel vagy a hosszabbító kábel sérült, akkor azt a veszély elkerülése érdekében a gyártónak, annak szerelőjének vagy hasonló képesített személynek ki kell cserélnie.
- Minden használat előtt sérülés tekintetében vizsgálja át a tápkábelt. Ha sérülés jelei látszanak, a veszély elkerülése érdekében egy képzett szakemberrel vagy hivatalos szervizközpontban kell kicseréltetni.
- Hőtől, olajtól és éles szélektől tartsa távol a tápkábelt.
- Soha ne nyúljon nedves kézzel a hálózati dugaszhoz vagy aljzathoz.
- A hosszabbító veszélyes lehet, ha nem megfelelő. Ha hosszabbítót használ, az legyen alkalmas szabadtéri használatra, és álljon száraz helyen, nem közvetlenül a padlón vagy talajon. Úgy használjon kábeldobot, hogy a dugaszolóaljzata legalább 6 cm-rel a padló vagy talaj felett álljon.
- Az áramellátáshoz való csatlakoztatást képesített villanyszerelőnek kell végeznie, és meg kell felelnie az IEC 60364-1 előírásainak. Ajánlott, hogy a termék áramellátásához legyen áramvédőkészülék, ami megszakítja az áramellátást, ha a kóboráram a földelés felé meghaladja 30 ms esetében a 30 mA-t, vagy egy olyan készülék, ami megvizsgálja a földáramkört.

TOVÁBBI BIZTONSÁGI FIGYELMEZTETÉSEK

- Egyes régiókban olyan előírások érvényesek, amelyek korlátozzák a termék használatát. További információért forduljon a helyi önkormányzathoz.
- Minden használat előtt ellenőrizze a gép sérülésmentességét. A sérült nagynyomású tömlőt azonnal cserélje

ki. Gondoskodjon minden nagynyomású tömlő- és fűvókacsatlakozás biztonságos állapotáról. A tömlőt úgy tekerje le, hogy ne csavarodjon meg és ne képezzen hurkot.

- Ne engedje, hogy gyerekek vagy megfelelő gyakorlattal nem rendelkező személyek használják a terméket.
- A tisztítás megkezdése előtt zárja be az ajtókat és ablakokat. Takarítsa le a tisztítandó területről a szemetet, játékokat, szabadtéri bútort és más tárgyakat, amelyek elrepülve veszélyforrássá válhatnak.
- Ne emelje fel és ne szállítsa a terméket működő motorral.
- Ne használja a terméket 0 °C alatti hőmérsékleten.
- Ne használjon a termékben savat, lúgot, oldószert, gyúlékony anyagot, hipót vagy ipari oldatokat. Ezek károsíthatják a kezelő egészségét és tönkretelhetik a terméket.
- A terméket mindig vízszintes felületen használja.

⚠ FIGYELMEZTETÉS! A nagynyomású sugár veszélyes lehet, ha nem előírászerűen használják. Tilos emberre, állatra, villamos berendezésre vagy magára a termékre irányítani.

- Két kézzel, szilárdan tartsa a markolatot. A kioldóbillentyű meghúzásakor a markolat visszarúg – számíton erre. Ha ezt elmulasztja, elvesztheti a termék feletti uralmát, megsérülhet és másokat is veszélybe sodorhat.
- A termék bekapcsolása előtt légtelenítse a tömlőt és a szivattyút. A tömlőben és szivattyúban levő levegő eltávolításához kösse rá a vízellátást egy locsolótömlővel a szivattyúra, csatlakoztassa a markolatot a nagynyomású tömlővel a szivattyúra, kapcsolja ki a kapcsolózárát, és húzza meg addig a kapcsolót, hogy egyenletes áramlás keletkezzen.
- Vigyázzon, nehogy megcsússzon és elessen.
- Stabilan álljon és vegyen fel megfelelő egyensúlyt. Ne hajoljon ki túlságosan. A túlzott kihajlás egyensúlyvesztést eredményezhet.
- Csak a gyártó által engedélyezett tartozékokat használja. Nem megfelelő kiegészítők használata sérülést eredményezhet.

- Soha ne hagyja felügyelet nélkül működni a gépet. Kapcsolja ki a terméket. Ne hagyja magára a terméket, amíg az teljesen le nem áll.
- Ismerje meg a kezelőszerveket. Tanulja meg, hogyan kell a terméket leállítani és gyorsan nyomásmentesíteni.
- Legyen éber és gyakorolja az irányítást. Figyeljen arra, amit csinál, és használja az összes érzékszervét.
- Ne használja a terméket, ha fáradt, beteg vagy drog, alkohol illetve gyógyszer hatása alatt van. A termékek használata közben már egyetlen figyelmetlen pillanat is súlyos személyi sérüléshez vezethet.
- Ne használja a terméket, ha a kapcsoló nem kapcsolja be vagy ki a terméket. A kapcsolóval nem vezérelhető termék veszélyes, ezért azt meg kell javítani.
- Tisztítandó járművektől tartson legalább 30 cm távolságot. A nagynyomású sugár megsértheti vagy átlukaszthatja járművek gumibroncsát és szelepét.
- Legalább 15 m hosszú és 18 mm (3/4 hüvelykes) átmérőjű locsolótömlőt használjon.
- Minden használat előtt győződjön meg róla, hogy a tartozék biztonságosan csatlakozik a szórópisztolyhoz.
- Minden idegen anyagtól tisztítsa meg a terméket. Hűvös, száraz és jól szellőztetett, gyerekektől elzárt helyiségben tárolja. A terméket tartsa távol a korrodáló szerektől, például kerti vegyszerektől vagy a jégmentesítő sótól. Ne tárolja a terméket kültéren.
- A termék tárolása előtt ürítse le a vizet minden tömlőből és a szivattyúból, és ürítse le a mosószer tartályt is.
- Szállításkor rögzítse a terméket elmozdulás és leesés ellen, hogy elkerülje a sérüléseket és a termék sérülését.
- A terméket kizárólag beltéren tárolja. A terméket károsítja, ha 0° alatti hőmérsékleten tárolja azt.

KARBANTARTÁS

- Csak a gyártó eredeti cserealkatrészeit, tartozékait és szereléseit használja. Ennek figyelmen kívül hagyása gyenge motorteljesítményt, esetleges sérülést és a jótállás elvesztését okozhatja.
- szervizelés különös figyelmet és hozzáértést igényel, és csak szakképzett szerelő végezheti el. A terméket csak engedéllyel rendelkező szervizben javíttassa.
- Kapcsolja ki a terméket, és húzza ki a csatlakozót a konnektorból. Válassza le a terméket a vízellátásról. Hagyja lehűlni a terméket:
 - szervizelés előtt
 - az eltömődés eltávolítása előtt
 - ellenőrzés, karbantartás vagy a gépen végzett bármilyen művelet megkezdése előtt;
- Ön csak a használati útmutatóban leírt beállításokat és javításokat végezheti el. További javításokért vagy tanácsért kérjen segítséget egy hivatalos szervizközpontban.
- Rendszeresen vizsgálja át és tartsa karban a nagynyomású tisztítót, hogy biztonságosan működjön. A RYOBI 6 havonkénti átvizsgálást javasol.
- Gyakori időközönként ellenőrizze a csavaranyák, csavarok és fejescsavarok megfelelő meghúzását, hogy a termék biztonságos üzemi állapotban legyen. A sérült alkatrészeket egy hivatalos szervizközpontban kell megjavíttatni vagy kicseréltetni.

TÜLTERHELÉS ELLENI VÉDELEM

A termék el van látva túlterhelés elleni védőeszközzel, ami aktiválódik, ha túlhevülés vagy egy áramerősség-tüske jön létre, és automatikusan kikapcsolja a termék áramellátását. A működés folytatásához válassza le a terméket az elektromos hálózatról, várjon körülbelül 15 percet, és csatlakoztassa újra a terméket az elektromos hálózathoz.

SZÁLLÍTÁS ÉS TÁROLÁS

⚠ FIGYELEMFLHÍVÁS! Vegye figyelembe a termék súlyát a tárolási hely kiválasztásakor és szállításkor, hogy megelőzze a baleseteket és sérüléseket.

- Állítsa le és feszültségmentesítse a terméket, és hagyja lehűlni. Tárolás vagy szállítás előtt válassza le a terméket a vízellátásról. A terméket mindig tartsa álló helyzetben.

ISMERJE MEG A TERMÉKET

Lásd 145. oldal.

1. Hordozófogantyú
2. Áramkábeltartó
3. BE/KI kapcsoló gomb
4. Kezelői kézikönyv
5. Markolatcsavar
6. Vízbemenet szűrője
7. Vízbemeneti nyílása
8. Tápkábel
9. Tömlő-kioldógomb
10. Vízkimeneti nyílása
11. Szórópisztolytartó
12. Gőzborotva toldat
13. Markolatzár
14. Kioldó
15. Tömlőrögztítő gomb
16. Nagynyomású tömlő
17. Vario gőzborotva
18. Kerti tömlő
19. RYOBI tisztítószer
20. Locsolótömlő-csatlakozó
21. Turbo gőzborotva
22. Tisztítószeres palack

MEGJEGYZÉS: Tisztítószer használata esetén olvassa el a tisztítószer anyagbiztonsági adatlapját.

BIZTONSÁGI ESZKÖZÖK

- BE/KI kapcsoló gomb
 - A be/ki kapcsoló megakadályozza az termék véletlen működtetését.
- Markolatzár
 - A markolatzár zárja a kapcsolót, így megakadályozza a nagynyomású sugár akaratlan megnyitását.
- Túlfolyószelep nyomáskapcsolóval
 - A túlfolyószelep megakadályozza, hogy a gép túllépje a megengedett üzemi nyomást. Ha a kezelőpisztoly karját kioldja, a nyomáskapcsoló kikapcsolja a szivattyút és a nagynyomású vízsugár leáll. Ha a kart meghúzza, a szivattyú újra bekapcsol.
- Túlterhelés elleni védelem
 - A terméket egy hőérzékelő védi a túlterheléstől. Túlmelegedés esetén a termék automatikusan leállítja a tápellátást.

SZIMBÓLUMOK A TERMÉKEN



A termék használata előtt olvasson el és értsen meg minden utasítást. Tartsa be az összes figyelmeztetést és biztonsági utasítást.



Class II gép, kettős szigetelés



Viseljen szem- és fülvédőt.



Feszültség alatt



A termék visszafolyásgátló nélkül nem csatlakoztatható az ivóvízhálózatra.



Ne irányítsa a permetezőszárat emberre, állatra, a gép testére, áramforrásra vagy elektromos készülékre.



Névleges nyomás



A habzás/tisztítószer alacsony nyomású módjának bekapcsolásához fordítsa el a fúvóka alsó részét teljesen jobbra.



Európai megfelelőségi jelölés



Brit megfelelőségi jelölés



Eurázsiai megfelelőségi jelzés



Ukrán megfelelőségi jelölés



Garantált hangteljesítményszint



A kiselejtezett elektromos termékeket nem szabad a háztartási hulladékkal együtt kidobni. Ezeket újra kell hasznosítani, ha van rá lehetőség. Az újrahasznosítással kapcsolatban érdeklődjön a helyi önkormányzatnál vagy a termék forgalmazójánál.

A KÉZIKÖNYVBEN HASZNÁLT SZIMBÓLUMOK



Viseljen csúszásgátló bevonatú, nehéz igénybevételre tervezett védőkesztyűt.



Külön értékesített alkatrészek és kiegészítők



Csatlakoztassa egy elektromos hálózati aljzathoz



Húzza ki az elektromos hálózati aljzathoz



Megjegyzés



Figyelem



HIBAELHÁRÍTÁS

Probléma	Lehetséges ok	Megoldás
Ingadozó nyomás	A szivattyú levegőt szív	Ellenőrizze, hogy a tömlők és a csatlakozások légmentesek-e.
	Piszkos, elhasználódott vagy eltömődött	A szervizeléshez vigye el a terméket egy hivatalos szervizközpontba.
	Elhasználódott szivattyútömlítések	A szervizeléshez vigye el a terméket egy hivatalos szervizközpontba.
A gép leáll	A hőérzékelő aktíválva van	Hagyja a tisztítót lehűlni 15 percen át.
	A fúvóka részlegesen elzáródott	Tisztítsa meg a fúvókát.
Termék lüktet	Levegő van a tömlőben/ szivattyúban	Hagyja, hogy a készülék nyitott indítóval menjen, amíg a szokásos üzemi nyomás helyreáll.
	Nem megfelelő hálózati vízellátás	Ellenőrizze, hogy a vízellátás megfelel-e az előírt specifikációnak (lásd a modell címkéjét). Ne használjon hosszú, vékony tömlőket.
	A fúvóka részlegesen elzáródott	Tisztítsa meg a fúvókát.
	A vízszűrő elzáródott	Tisztítsa meg a szűrőt.
	A tömlő összegabalyodott	Egyenesítse ki a tömlőt.
A termék elindul, de nem jön ki víz	Megfagyott szivattyú/tömlők vagy tartozék	Várja meg, amíg a szivattyú, a tömlők vagy az egyéb alkatrész kiolvad.
	Nincs vízellátás	Csatlakoztassa a vízbemenet nyílását a vízellátáshoz.
	A vízszűrő elzáródott	Tisztítsa meg a szűrőt.
	A fúvóka elzáródott	Tisztítsa meg a fúvókát.



La proiectarea curățătorului cu apă sub presiune electric s-au avut în vedere în primul rând siguranța, performanța și fiabilitatea în exploatare.

UTILIZARE PREVĂZUTĂ

Curățătorul cu apă sub presiune electric este destinat doar utilizării în exterior. Din motive de siguranță, produsul trebuie manevrat corespunzător, cu ambele mâini.

Produsul este proiectat pentru uz casnic și domestic. Este destinat curățării autovehiculelor, clădirilor, podelelor, instrumentelor, fațadelor, teraselor și aleilor pavate cu beton prin îndepărtarea murdăriei persistente cu apă curată, cu sau fără detergent.

Produsul se va utiliza în mediu bine iluminat.

Nu folosiți în alte scopuri.

⚠ AVERTISMENT! Produsul este proiectat pentru utilizarea cu un agent de curățire neutru, furnizat sau recomandat de fabricant. Utilizarea altor tipuri de agenți de curățare sau a altor substanțe chimice poate afecta siguranța echipamentului.

AVERTISMENTE GENERALE PRIVIND SIGURANȚA

⚠ AVERTISMENT! Citiți toate avertismentele și instrucțiunile de siguranță. Nerespectarea acestor avertismente și instrucțiuni poate conduce la șocuri electrice, incendii și/sau accidente grave.

- Produsul nu este destinat utilizării de către copii sau persoane cu deficiențe fizice, senzoriale sau mentale, sau fără experiență și cunoștințe. Copiii trebuie să fie supravegheați adecvat pentru a vă asigura că nu se joacă cu produsul.

- Purtați echipament personal de protecție complet la utilizarea echipamentului: cizme, mănuși, cască cu vizor și protecții pentru urechi. Utilizați doar ochelari cu protecție împotriva stropirii cu lichide.

⚠ AVERTISMENT! Nu utilizați echipamentul în apropierea altor persoane, cu excepția celor care poartă echipament de protecție.

- Pentru a reduce riscul de rănire, nu permiteți apropierea copiilor și a altor persoane. Toți vizitatorii trebuie să poarte ochelari de protecție și să fie ținuți la o distanță sigură de spațiul de lucru.

- Asigurați-vă că dispozitivele de siguranță sunt în bună stare de funcționare. Asigurați-vă că toate dispozitivele de siguranță funcționează corect înainte de fiecare utilizare.

- Nu utilizați echipamentul dacă există componente defecte, cum ar fi dispozitivele de siguranță, furtunurile de înaltă presiune sau pistolul de stropire.

- Acționați cu grijă trăgaciul mânerului pulverizatorului. Țineți ferm cu ambele mâini de mânerul cu trăgaci al pulverizatorului pentru a evita rănirea la reculul acestuia.

⚠ AVERTISMENT! În timpul utilizării curățătoarelor de înaltă presiune se pot forma aerosoli. Inhalarea acestora poate provoca decesul. În funcție de aplicație, se pot utiliza duze protejate pentru curățare la înaltă presiune, ceea ce va reduce emisiile de aerosoli. Cu toate acestea, nu toate aplicațiile permit utilizarea unui astfel de dispozitiv. Dacă nu se pot folosi duze protejate, este necesară purtarea unei măști de protecție de clasă FFP2 sau echivalentă, în funcție de mediul de lucru.

- Opriți întotdeauna echipamentul dacă plecați de lângă el.

- Jetul de înaltă presiune este periculos. Nu direcționați jetul spre persoane, echipamente electrice sau direct către echipament.

- Pentru a evita riscul de explozie, nu pulverizați lichide inflamabile.

- Nu îndreptați jetul spre dvs. sau spre alte persoane în scopul curățării hainelor sau încălțăminte.

- Nu utilizați echipamentul pentru a curăța dispozitive electronice, îmbrăcăminte sau încălțăminte.

- Pentru siguranța echipamentului este important să se utilizeze furtunuri, conectori și fittinguri de înaltă presiune. Utilizați doar furtunuri, fittinguri și conectori recomandați de producător.

- Pot fi cauzate sau agravate vătămarile de la folosirea prelungită a aparatului. Atunci când folosiți o sculă pentru perioade prelungite, asigurați-vă că luați pauze regulate.

⚠ ATENȚIE! Produsul nu trebuie conectat la sursa de alimentare cu apă potabilă fără a avea montată pe circuit o supapă antiretur conform standardului EN 12729 Tip BA. Apa care circulă prin prevenitorul de retur nu este

considerată potabilă. Respectați întotdeauna regulamentele companiei dvs. locale de furnizare a apei la conectarea echipamentului la sursa de alimentare cu apă.

AVERTISMENTE PRIVIND SIGURANȚA DIN PUNCT DE VEDERE ELECTRIC

- Ștecherile trebuie să se potrivească cu prizele. Nu modificați niciodată ștecărul în nici un fel. Ștecărele nemodificate și prizele potrivite reduc riscul de electrocutare.
- Nu utilizați echipamentul cu un cablu de alimentare sau alte componente importante, cum ar fi dispozitivele de siguranță, deteriorate.
- Verificați cablul de alimentare și prelungitorul înainte de fiecare utilizare. În cazul în care cablul de alimentare (sau prelungitorul acestuia) este deteriorat, trebuie înlocuit de producător, de un agent de service sau de o persoană cu calificare similară, pentru evitarea oricărui pericol.
- Înainte de fiecare folosire, verificați de defecte cablul de alimentare. Dacă există semne de deteriorare, el trebuie înlocuit de către o persoană calificată la un centru service autorizat pentru a evita pericolul.
- Păstrați cablul departe de căldură, ulei sau margini ascuțite.
- Nu atingeți ștecherul sau priza cu mâinile umede.
- Prelungitoarele neadecvate pot fi periculoase. Dacă folosiți un prelungitor, acesta trebuie să fie adecvat pentru utilizare la exterior, conexiunea trebuie păstrată uscată și nu trebuie să fie amplasată pe sol. Utilizați un prelungitor cu rolă pentru a păstra priza la cel puțin 60 de cm deasupra solului.
- Conexiunea de alimentare cu energie electrică trebuie făcută de un electrician calificat și trebuie să respecte standardul IEC 60364-1. Este recomandat ca alimentarea către produs să includă fie un dispozitiv de curent rezidual care să întrerupă alimentarea în cazul în care curentul descărcat prin împământare depășește 30 mA timp de 30 ms, sau un dispozitiv care să testeze circuitul de împământare.

AVERTIZĂRI SUPLIMENTARE DE SIGURANȚĂ

- Anumite regiuni au reglementări ce restricționează folosirea produsului. Pentru sfaturi întrebați autoritățile dvs. locale.

- Înainte de fiecare utilizare verificați starea produsului. Un furtun de înaltă presiune deteriorat trebuie înlocuit imediat. Asigurați-vă că toate conexiunile, cum ar fi furtunul și duza de înaltă presiune, sunt fixate. Desfășurați adecvat furtunul, astfel încât să nu fie îndoit sau sgrumat.

- Nu permiteți copiilor sau persoanele fără experiență să utilizeze acest produs.
- Înainte de începerea unei operații de curățare, închideți ușile și ferestrele. Eliberați zona de curățat de resturi, jucării, mobilier de exterior sau alte obiecte care pot crea pericole.
- Nu ridicați și nu purtați produsul când motorul funcționează.
- Nu utilizați echipamentul la temperaturi sub 0°C.
- Nu introduceți în echipament acizi, baze, solvenți, substanțe inflamabile, produse pe bază de clor sau alte soluții industriale. Aceste echipamente pot provoca vătămări fizice operatorului și defectarea definitivă a echipamentului.
- Așezați întotdeauna echipamentul pe o suprafață plană.

⚠ AVERTISMENT! Jetul de înaltă presiune poate fi periculos în caz de utilizare neadecvată. Jetul nu trebuie direcționat către oameni, animale, dispozitive electrice sau spre echipament.

- Țineți ferm cu ambele mâini de mânerul pistolului. Așteptați-vă ca mânerul cu trăgaci al pulverizatorului să aibă un recul la acționare, datorită forțelor de reacție. Dacă nu sunteți pregătit pentru aceasta, puteți să pierdeți controlul și să vă răniți personal sau să răniți alte persoane din jur.
- Asigurați-vă că furtunul și pompa nu sunt sub presiune înainte de a porni echipamentul. Pentru a scoate aerul din furtun și pompă, conectați sursa de alimentare cu apă la pompă folosind un furtun de grădină, conectați mânerul cu trăgaci la pompă folosind furtunul de înaltă presiune, deblocați siguranța trăgaciului și apăsați pe trăgaci până când va ieși un flux stabil de apă prin duză.
- Manevrați pistolul cu atenție, pentru a evita alunecarea sau căderea.
- Mențineți sprijin ferm pe picioare și echilibru. Nu vă aplecați excesiv. Aplecarea excesivă poate cauza pierderea echilibrului.

- Folosiți doar accesoriile aprobate de producător. Utilizarea unor accesorii neadecvate poate provoca rănirea.
- Nu lăsați niciodată produsul să funcționeze nesupravegheat. Opriti produsul. Nu lăsați pistolul din mână înainte ca jetul să se oprească total.
- Familiarizați-vă cu comenzile. Trebuie să știți cum se oprește rapid echipamentul și cum se descarcă presiunea din instalație.
- Fiți vigilenți și mențineți controlul. Fiți atenți la ceea ce faceți și folosiți-vă simțul practic.
- Nu utilizați produsul dacă sunteți obosit, bolnav sau sub influența drogurilor, alcoolului sau medicamentelor. Un moment de neatenție în timpul operării produsului poate rezulta în vătămare personală gravă.
- Nu folosiți produsul dacă întrerupătorul nu pornește sau oprește produsul. Un produs care nu poate fi controlat cu ajutorul întrerupătorului este periculos și trebuie reparat.
- Păstrați o distanță de minim 30 cm la curățarea autovehiculelor. Jetul de înaltă presiune poate deteriora sau rupe anvelopele sau ventilele autovehiculului.
- Utilizați un furtun de grădină cu o lungime maximă de 15 m și un diametru maxim de 18 mm (3/4 in.)
- Asigurați-vă că accesoriul este fixat în siguranță pe mânerul cu trăgaci înainte de fiecare utilizare.

PROTECȚIE LA SUPRASARCINĂ

Produsul dispune de un dispozitiv de protecție la suprasarcină care este activat atunci când apare supraîncălzirea sau un vârf de curent, oprind în mod automat alimentarea produsului. Pentru a relua funcționarea, deconectați produsul de la sursa de alimentare, așteptați aproximativ 15 minute și reconectați produsul la sursa de alimentare.

TRANSPORTAREA ȘI DEPOZITAREA

⚠ ATENȚIE! Țineți cont de greutatea echipamentului atunci când alegeți locația de depozitare sau în timpul transportului pentru a preveni accidentele sau vătămarile.

- Opriti echipamentul, deconectați sursa de alimentare și lăsați-l să se răcească. Deconectați echipamentul de la sursa de alimentare cu apă înainte de depozitare sau

transport. Așezați întotdeauna echipamentul cu fața în sus.

- Curățați toate materialele străine din produs. Depozitați-l într-un loc răcoros, uscat și bine aerisit ce este inaccesibil copiilor. Păstrați produsul la distanță de agenți corozivi, precum substanțe chimice de grădină și săruri de dezghețare. Nu depozitați produsul în aer liber.
- Scoateți apa din furtunuri și pompă și goliți rezervorul de detergent înainte de depozitarea echipamentului.
- Pentru transportare, fixați produsul împotriva mișcării sau căderii pentru a preveni vătămarea persoanelor sau deteriorarea produsului.
- Depozitați produsul numai în spații închise. Depozitarea într-o zonă cu temperatură sub 0°C va determina defectarea produsului.

ÎNTREȚINERE

- Folosiți doar piese de schimb, accesoriile și atasamente originale ale producătorului. Neurmarea acestora poate cauza posibilă vătămare, slaba funcționare și ar putea anula garanția.
- Service-ul necesită atenție și cunoștințe deosebite și trebuie îndeplinit doar de către un tehnician service calificat. Duceți produsul la reparații numai într-un centru service autorizat.
- Opriti dispozitivul și deconectați-l de la sursa de alimentare cu energie. Deconectați dispozitivul de la sursa de alimentare cu apă. Lăsați dispozitivul să se răcească.
 - înainte de efectuarea reparațiilor
 - înainte de a îndepărta un obiect ce a determinat un blocaj
 - înainte de a verifica, curăța sau lucra asupra produsului
- Puteți face doar reglajele sau reparațiile descrise în acest manual. Pentru alte reparații sau sfaturi, căutați asistență din partea unui centru service autorizat.
- Verificați și întrețineți regulat curățătorul de înaltă presiune pentru a asigura o funcționare sigură. RYOBI recomandă revizia echipamentului la fiecare 6 luni.
- Verificați toate piulițele, suruburile la intervale frecvente de timp ca să fie corespunzător strânse pentru a vă asigura că produsul este în stare de lucru în

siguranță. Orice piesă deteriorată trebuie să fie reparată în mod corespunzător sau înlocuită de un service autorizat.

CUNOAȘTEȚI-VĂ PRODUSUL

Vezi pagina 145.

1. Mâner de transport
2. Suport cablu de alimentare
3. Întrerupător PORNIT/OPRIT
4. Manualul operatorului
5. Șurub mâner
6. Filtru de alimentare cu apă
7. Racord de intrare apă
8. Cordon de alimentare
9. Buton deblocare furtun
10. Racord de ieșire apă
11. Suport pistol cu trăgaci
12. Lansator cu prelungire
13. Siguranța trăgaciului
14. Declanșator
15. Buton blocare furtun
16. Furtun de înaltă presiune
17. Lansator vario
18. Furtun de grădină
19. Detergent RYOBI
20. Conector furtun de grădină
21. Lansator turbo
22. Sticlă de detergent

NOTĂ: Dacă utilizați detergent, consultați mai întâi fișa cu specificații tehnice a detergentului.

DISPOZITIVE DE SIGURANȚĂ

- Întrerupător PORNIT/OPRIT
 - Comutatorul de pornire/oprire previne pornirea neintenționată a produsului.
- Siguranța trăgaciului
 - Siguranța trăgaciului blochează trăgaciul și împiedică pornirea neintenționată a jetului de înaltă presiune.
- Supapă de preaplin cu presostat
 - Supapa de preaplin împiedică depășirea presiunii maxime admise. Dacă levierul pistolului este eliberat, presostatul oprește pompa, iar jetul de înaltă presiune este oprit. Dacă levierul este apăsat, pompa pornește din nou.
- Protecție la suprasarcină
 - Un senzor termic care protejează produsul împotriva suprasarcinilor. Produsul va decupla automat alimentarea atunci când se supraîncălzește.

SIMBOLURILE DE PE PRODUS.



Citiți și înțelegeți toate instrucțiunile înainte de a utiliza produsul. Respectați toate avertismentele și instrucțiunile de siguranță.



Aparat clasa II, izolație dublă.



Purtați protecție pentru ochi și urechi.



Sub tensiune



Produsul nu este destinat conectării la rețeaua de alimentare cu apă potabilă fără un dispozitiv de prevenire a scurgerii apei din produs înapoi în rețeaua de alimentare. Nu îndreptați niciodată tija pulverizatorului către oameni, animale, carcasa echipamentului, sursa de alimentare cu energie electrică sau aparate electrice.



Presiune nominală



Rotiți partea inferioară a duzei până la capăt către dreapta pentru a activa modul de presiune joasă pentru spumare/detergent.



Marcajul european de conformitate



Marcajul britanic de conformitate



Marcaj de conformitate EurAsian



Marcajul ucrainian de conformitate



Nivel garantat al puterii
acustice



Deșeurile produselor electrice
nu trebuie să fie înlăturate
împreună cu deșeurile casnice.
Vă rugăm să reciclați acolo unde
există facilități. Verificați la
autoritatea dvs. locală sau la
vânzător pentru sfaturi privind
reciclarea.

SIMBOLURI DIN ACEST MANUAL



Purtați mănuși care nu alunecă,
de protecție la sarcinile dificile.



Piese sau accesorii vândute
separat



Conectarea la priză



Deconectați de la priză



Notă



Avertisment

REMEDIEREA DEFECȚIUNILOR

Problemă	Cauză posibilă	Soluție
Presiune fluctuantă	Pompa absoarbe aer	Verificați dacă furtunurile și conexiunile sunt etanșe.
	Supape murdare, uzate sau blocate	Pentru service, duceți produsul la un centru service autorizat.
	Garnituri de etanșare pompă uzate	Pentru service, duceți produsul la un centru service autorizat.
Produsul se oprește	A fost activat senzorul de temperatură	Lăsați mașina de curățat să se răcească timp de 15 minute.
	Duza este parțial blocată	Curățați duza.
Produs cu pulsație	A pătruns aer în furtunul de alimentare sau în pompă	Lăsați produsul să funcționeze cu trăgaciul apăsat până când se atinge presiunea normală de lucru.
	Sursa de alimentare cu apă are un debit inadecvat	Verificați dacă sursa de alimentare cu apă corespunde cu parametrii produsului (consultați eticheta produsului). Evitați furtunurile lungi și subțiri.
	Duza este parțial blocată	Curățați duza.
	Filtrul de apă este blocat.	Curățați filtrul.
	Furtunul este strangulat	Îndreptați furtunul.
	Produsul pornește dar apa nu iese din el	Pompă /furtunuri sau accesorii înghețate
	Produsul nu este alimentat cu apă	Conectați racordul de alimentare la o sursă de alimentare cu apă.
	Filtrul de apă este blocat.	Curățați filtrul.
	Duza este blocată	Curățați duza.

Radot jūsu elektrisko augstspiediena mazgātāju, drošībai, veiktspējai un uzticamībai ir pievērsta vislielākā vērība.

PAREDZĒTAIS LIETOJUMS

Elektriskais augstspiediena mazgātājs ir paredzēts lietošanai tikai ārpus telpām. Drošības nolūkos, trimmeri jāizmanto, to atbilstoši vadot ar abām rokām.

Šī ierīce ir paredzēta lietošanai mājās apstākļos. Tas ir paredzēts iekārtu, transportlīdzekļu, ēku, grīdu, instrumentu, fasāžu, klājumu un betona ceļu un mazgāšanai, noņemot ieēdušos netīrumus ar tīru ūdeni, ar vai bez mazgāšanas līdzekļa.

Produktu jāizmanto vietā ar labu apgaismojumu.

Nelietojiet citiem mērķiem.

⚠ BRĪDINĀJUMS! Izstrādājums ir paredzēts izmantošana ar neitrālu tīrīšanas līdzekli, kuru piegādā vai iesaka ražotājs. Citu tīrīšanas līdzekļu vai ķīmikāliju izmantošana var negatīvi ietekmēt izstrādājuma drošību.

VISPĀRĪGIE DROŠĪBAS BRĪDINĀJUMI

⚠ BRĪDINĀJUMS! Izlasiet visus drošības brīdinājumus un norādījumus. Brīdinājumu un norādījumu neizpildīšana var izraisīt elektrisko triecienu, aizdegšanos un/vai smagu ievainojumu.

- Izstrādājums nav paredzēts lietošanai bērniem vai personām ar ierobežotām fiziskajām, sensorajām vai mentālajām spējām, vai ar pieredzes un zināšanu trūkumu. Nepieciešams pienācīgi uzmanīt bērnus, lai nodrošinātu, ka tie nespēlējas ar ierīci.
- Lietojot izstrādājumu, valkājiet pilnīgu aizsargapģērbu kā apavus, aizsargcimdus, drošības ķiveri ar acu aizsargu un ausu aizsargus. Izmantojiet acu aizsargus, kas paredzēti aizsardzībai pret stipriem triecieniem un šķakatām.

⚠ BRĪDINĀJUMS! Neizmantojiet izstrādājumu, ja tuvumā atrodas cilvēki, ja vien tie nevalkā aizsargapģērbu.

- Lai samazinātu ievainojumu risku, neļaujiet tuvoties bērniem un apmeklētājiem. Visiem apmeklētājiem ir jāuzliek aizsargbrilles un jāatrodas drošā attālumā no darba zonas.
- Pārliecinieties, ka drošības ierīces ir labā darba stāvoklī. Pirms katras lietošanas

pārliecinieties, ka visas drošības ierīces atbilstoši darbojas.

- Neizmantojiet izstrādājumu, ja ir bojātas svarīgas daļas, kā drošības ierīces, augstspiediena šļūtenes vai pistole.
- Nospiežot pistoles mēlīti, ievērojiet piesardzību. Turiet pistoli stingri ar abām rokām, lai izvairītos no pistoles atstiena radītiem ievainojumiem.

⚠ BRĪDINĀJUMS! Izmantojot augstspiediena tīrīšanas līdzekļus, var veidoties aerosoli. Aerosolu ieelpošana var būt bīstama veselībai. Atkarībā no pielietojuma, augstspiediena mazgāšanai var izmantot uzgaļus ar aizsargiem, kas samazina šķidrums aerosolu izplatīšanos. Tomēr, ne visos gadījumos iespējams izmantot šādas ierīces. Ja uzgaļus ar aizsargiem pret aerosolu veidošanos nav iespējams izmantot, atbilstoši mazgāšanas videi var būt nepieciešama FFP 2 klases respiratora maska.

- Vienmēr apturiet izstrādājumu, kad atstājat to bez uzraudzības.
- Nepareizi lietojot, augstspiediena strūkļa ir bīstama. Nevērsiet strūkļu pret cilvēkiem, elektrisko aprīkojumu zem sprieguma vai pašu izstrādājumu.
- Lai izvairītos no sprādziena riska, neizsmidziniet uzliesmojošus šķidrums.
- Nevērsiet strūkļu pret sevi vai citiem, lai nomazgātu apģērbu vai apavus.
- Neizmantojiet izstrādājumu, lai mazgātu elektroniskas ierīces, apģērbu vai apavus.
- Augstspiediena šļūtenes, uzgaļi un savienojumi ir būtiski izstrādājuma drošībai. Izmantojiet tikai šļūtenes, uzgaļus un savienojumus, kurus izmantošanai iesaka ražotājs.
- Ilgstoša preces lietošana var radīt ievainojumus vai pasliktināt jau esošos. Ilgstoši lietojot jebkuru instrumentu, pārliecinieties, ka tiek veikti regulāri pārtraukumi.

⚠ UZMANĪBU! Izstrādājumu nedrīkst izmantot, pieslēdzot to dzeramā ūdens padevei, neuzstādot atpakaļplūsmas ierobežotāju, kas atbilst EN 12729 tipam BA. Ūdens, kas plūst cauri atpakaļplūsmas vārstam nav uzskatāms par dzeramu. Pievienojot izstrādājumu ūdens padevei, vienmēr ievērojiet jūsu vietējā ūdens apgādes uzņēmuma noteikumus.

ELEKTRISKIE DROŠĪBAS BRĪDINĀJUMI

- Kontaktdakšai ir jābūt tādai pašai kā elektrības izejai. Nekad nepārveidojiet kontaktdakšu. Nepārveidotas kontaktdakšas un atbilstošas kontaktlīgzdas samazinās elektriskā trieciena risku.
- Neizmantojiet izstrādājumu, ja sprieguma vads vai citas svarīgas daļas kā drošības ierīces, ir bojātas.
- Pārbaudiet, vai elektrības vads un pagarināšanas vads nav bojāti, pirms katras lietošanas reizes. Ja strāvas vads vai pagarinātāja vads ir bojāts, lai izvairītos no bīstamām situācijām, tā nomaina jāveic ražotāja, servisa centra speciālistiem vai personām ar līdzīgu kvalifikāciju.
- Pirms katras lietošanas reizes pārbaudiet, vai strāvas vads nav bojāts. Ja ir bojājuma pazīmes, labojumus jāveic kvalificētai personai pilnvarotā pakalpojumu centrā, lai izvairītos no briesmām.
- Turiet elektrības vadu prom no siltuma avota, eļļas un asām šķautnēm.
- Nekad nepieskarieties elektrības kontaktdakšai vai kontaktlīgzdai ar mitrām rokām.
- Nepiemēroti pagarinātāji var būt bīstami. Izmantojot pagarinātāju, tam jābūt piemērotam lietošanai ārpus telpām un savienojuma vieta jāuztur sausa, tā nedrīkst atrasties uz zemes. Izmantojiet vada spoli, lai novietoti kontaktlīgzdu vismaz 60 mm virs zemes.
- Elektrības padeves pieslēgumu ir jāizveido kvalificētam elektrikim, tam jāatbilst IEC 60364-1 prasībām. Ieteicams, ka izstrādājuma elektrības padeve ietver zemējuma drošinātāju, kas pārtrauc sprieguma padevi gadījumā, ja notiek sprieguma noplūde uz zemi, pārsniedzot 30 mA uz 30 ms, vai ierīci, kas pārbauda zemējuma slēgumu.

PAPILDU DROŠĪBAS BRĪDINĀJUMI

- Dažos reģionos pastāv noteikumi, kas ierobežo preces lietošanu. Vērsieties pie atbildīgajām amatpersonām pēc padoma.
- Pirms katras lietošanas pārbaudiet, vai produktam nav bojājumu. Bojāta augstspiediena šļūtene ir nekavējoties jānomaina. Nodrošiniet, ka visi savienojumi kā augstspiediena šļūtenes ar uzgali, ir

droši. Pareizi atīniet šļūteni, lai tā nevarētu savērties vai aizlikties.

- Neļaujiet bērniem vai personām bez apmācības izmantot šo ražojumu.
- Pirms jebkādas mazgāšanas darbības aizveriet durvis un logus. Atbrīvojiet mazgājamo zonu no drazām, rotaļlietām, dārza mēbelēm vai citiem priekšmetiem, kas var radīt bīstamību.
- Nekad nepaceliet vai nesiet precī, kamēr darbojas motors.
- Neizmantojiet izstrādājumu temperatūrās, kas zemākas par 0°C.
- Neizmantojiet izstrādājumā skābes, sārmas, šķīdinātājus, uzliesmojošus materiālus, balinātājus vai industriālos šķīdumus. Šie izstrādājumi var radīt fiziskus ievainojumus lietotājam un neatgriezeniski sabojāt mazgātāju.
- Vienmēr lietojiet izstrādājumu uz līdzenas virsmas.

⚠ BRĪDINĀJUMS! Augstspiediena strūkļa var būt bīstama, ja tiek izmantota nepareizi. Strūkļu nedrīkst vērst pret cilvēkiem, dzīvniekiem, elektriskām ierīcēm vai pašu mazgātāju.

- Stingri turiet pistoles rokturi ar abām rokām. Sagaidiet, ka pistoles rokturis pēc pistoles mēlītes nospiešanas, reaktīvo spēku ietekmē kustēsies. Šo apstākļu neievērošana var izraisīt kontroles zaudēšanu un ievainojumus jums un citiem.
- Pirms izstrādājuma ieslēgšanas pārliedziniet, ka no šļūtenes un sūkņa tiek izlaists gaiss. Lai atgaisotu šļūteni un sūkni, pievienojiet ūdens padevi sūknim, izmantojot dārza šļūteni, ar augstspiediena caurules palīdzību pievienojiet sūknim pistoles rokturi, atbrīvojiet pistoles mēlītes bloķētāju un nospiediet mēlīti, līdz parādās vienmērīga ūdens strūkļa.
- Ievērojiet piesardzību, lai izvairītos no paslīdēšanas vai krišanas.
- Visada tvirtai stovēkite ir išlaikykite pusiausvyrā. Nepersitempkite. Persitempķe galite prarasti pusiausvyrā.
- Lietojiet tikai ražotāja sankcionētus piederumus. Nepareiza papildaprīkojuma lietošana var izraisīt savainojumus.
- Nekad neatstājiet ieslēgtu izstrādājumu bez uzraudzības. Izslēdziet iekārtu. Neatstājiet izstrādājumu bez uzraudzības, līdz tas pilnīgi apstājas.

- Iepazīstieties ar vadības ierīcēm. Ziniet, kā ātri apturēt izstrādājumu un nolaist spiedienu.
- Saglabājiet modrību un kontroli. Vērojiet savu darbu un rīkojieties saskaņā ar veselo saprātu.
- Neizmantojiet produktu, ja esat noguris, slims vai narkotiku, alkohola vai medikamentu ietekmē. Neuzmanīga rīcība, darbojoties ar ierīci var radīt smagu personisku traumu.
- Neizmantojiet ražojumu, ja slēdzis neieslēdz vai neizslēdz ražojumu. Ražojums, kuru nevar kontrolēt ar slēdzi, ir bīstams un ir jānodod remontā.
- Mazgājot transportlīdzekļus, ieturiet minimālo attālumu 30 cm. Augstspiediena strūkļa var sabojāt vai likt pārsprāgt transportlīdzekļa riepām un/vai riepventiļiem.
- Izmantojiet dārza šļūteni ar maksimālo garumu 15 m un minimālo diametru 18 mm (3/4 collas)
- Pirms katras lietošanas pārliecinieties, ka aksesuārs ir kārtīgi pievienots mazgāšanas pistolei.
- Pirms novietošanas glabāšanai izlaidiet ūdeni no sūkņa un visām šļūtenēm, iztukšojiet mazgāšanas līdzekļa tvertni.
- Transportējot nostipriniet ierīci, lai tā nekustētos un neapgāztos, jo tas var izraisīt miesas bojājumus un ierīces bojājumus.
- Glabājiet produktu tikai iekšelpās. Glabājot produktu vietā, kur temperatūra ir zemāka par 0°, tam radīsies bojājumi.

APKOPE

- Lietojiet tikai oriģinālās ražotāja rezerves daļas, piederumus un uzgaļus. Pretējā gadījumā var tikt radīti ievainojumi un parādīts slikts sniegums, kā arī var tikt anulēta garantija.
- Aptarnavimā atlikti būtina itin atdīžiai, todēl rekomēduojame, kad tehniņē apžiūrā vykdytū kvalifikuotas specialistas. Veiciet apkalpošanu tikai pilnvarotā servisa centrā.
- Izslēdziet produktu un atvienojiet kontaktdakšu no kontaktligzdas. Atvienojiet produktu no ūdens padeves. Ļaujiet produktam atdzist.
 - pirms sākt apkopi
 - pirms nosprostojumu tīrīšanas
 - pirms iekārtas pārbaudes, tīrīšanas vai labošanas
- Jūs varat veikt tikai šajā rokasgrāmatā aprakstīto regulēšanu un remontdarbus. Cita veida remontam vai konsultācijām, vērsieties pēc padoma autorizētā servisa centrā.
- Regulāri pārbaudiet un uzturiet augstspiediena mazgātāju kārtībā, lai nodrošinātu drošu lietošanu. RYOBI iesaka veikt izstrādājuma pārbaudi reizi 6 mēnešos.
- Regulāri pārbaudiet visus uzgriežņus, stiprinājumus un skrūves, lai pārlicinātos, ka tās ir cieši pievilktas un izstrādājums ir drošā darba stāvoklī. Jebkura bojāta detaļa jānodod remontam vai nomainā pilnvarotā apkopes centrā.

PĀRSLODZES AIZSARDZĪBA

Produkts ir aprīkots ar pārslodzes aizsardzības ierīci, kas tiek aktivizēta pārkaršanas vai pārstrāvas gadījumā, automātiski atslēdzot strāvas padevi produktā. Lai atsāktu darbu, atvienojiet produktu no strāvas avota, apmēram 15 minūtes pagaidiet un no jauna pievienojiet produktu strāvas avotam.

TRANSPORTĒŠANA UN UZGLABĀŠANA

⚠ UZMANĪBU! Izvēloties glabāšanas vietu vai transportēšanas laikā, ņemiet vērā izstrādājuma svaru, lai izvairītos no negadījumiem vai ievainojumiem.

- Apturiet izstrādājumu, atvienojiet no sprieguma avota un ļaujiet izstrādājumam atdzist. Pirms novietošanas glabāšanai vai pārvadāšanas, atvienojiet izstrādājumu no ūdens padeves. Nekad nenovietojiet izstrādājumu savādāk kā stāvus.
- Notīriet visus svešķermeņus no izstrādājuma. Uzglabājiet to vēsā, sausā un labi vēdinātā vietā, kurai nevar piekļūt bērni. Sargiet izstrādājumu no korozīvām vielām, piemēram, dārza ķīmikālijām un pretapledošanas sāls. Neglabājiet produktu ārpus telpām.

PAZĪSTIET SAVU IERĪCI

Skatīt 145. lappusi

1. Pārnēsāšanas rokturis
2. Strāvas vada turētājs
3. Slēdzis "ieslēgšana"/"apturēšana"
4. Operatora rokasgrāmata
5. Roktura skrūve
6. Ūdens ieplūdes filtrs

7. Ūdens iepildes pieslēgvietā
8. Strāvas vads
9. Šļūtenes atbrīvošanas poga
10. Ūdens izplūdes pieslēgvietā
11. Pistoles roktura turētājs
12. Pagarinājuma kāts
13. Mēlītes roktura fiksators
14. Mēlīte
15. Šļūtenes bloķēšanas poga
16. Augstspiediena šļūtene
17. Maināmas strūkļas uzgalis
18. Dārza šļūtene
19. RYOBI mazgāšanas līdzeklis
20. Dārza šļūtenes savienojums
21. Turbo uzgalis
22. Mazgāšanas šķīduma pudele

PIEZĪME: Izmantojot mazgāšanas līdzekli, skatīt datus no mazgāšanas līdzekļa Materiālu drošības datu lapā.

DROŠĪBAS IERĪCES

- Slēdzis "ieslēgšana"/"apturēšana"
 - Ieslēgšanas/izslēgšanas slēdzis novērš nejašu izstrādājuma lietošanu.
- Mēlītes roktura fiksators
 - Mēlītes bloķētājs fiksē mēlīti un novērš nejašu augstspiediena strūkļas izsmidzināšanu.
- Pārplūdes vārsts ar spiediena aktivizāciju
 - Pārplūdes vārsts novērš maksimālā pieļaujamā darba spiediena pārsniegšanu. Ja izsmidzināšanas pistoles mēlīte tiek atlaista, spiediena slēdzis aptur sūkni un augstspiediena strūkla tiek apturēta. Ja pistoles mēlīte tiek nospiesta, sūknis atkal sāk strādāt.
- Pārslodzes aizsardzība
 - Termo sensors aizsargā produktu no pārslodzes. Produkts, pārkarstot, automātiski atslēdz sprieguma padevi.

UZ PRECES ESOŠIE SIMBOLI



Izlasiet un izprotiet visas norādes pirms produkta lietošanas. Ievērojiet visus brīdinājumus un drošības norādes.



2. klases instruments, dubulta izolācija



Valkājiet aizsargbrilles un dzirdes aizsargaprīkojumu.



Barošana



Izstrādājums nav piemērots pievienošanai dzeramā ūdens padevei bez atpakaļplūsmas bloķēšanas vārsta.



Nekad nevērsiet izsmidzināšanas pistoli pret cilvēkiem, dzīvniekiem, iekārtas korpusu, elektrības kontaktiem vai jebkurām elektriskām ierīcēm.



Nominālais spiediens



Pagrieziet sprauslas apakšējo daļu līdz galam pa labi, lai aktivētu zema spiediena režīmu putām/mazgāšanas līdzeklim.



Eiropas atbilstības zīme



Lielbritānijas atbilstības zīme



EurAsian atbilstības marķējums



Ukrainas atbilstības zīme



Garantētais skaņas intensitātes līmenis



Izlietotie elektroprodukti nedrīkst tikt izmesti kopā ar majsaimniecības atkritumiem. Lūdzu, nododiet tos attiecīgajās atk ār tās izmantošanas vietās. Sazinieties ar savu vietējo varas pārstāvi vai izplatītāju, lai noskaidrotu, kur iespējama atkārtota pārstrāde.

SIMBOLI ŠAJĀ ROKASGRĀMATĀ



Nēsājiet neslīdošus, smagam darbam piemērotus aizsargcimdus.



Atsevišķi nopērkamās daļas vai piederumi



Pievienojiet enerģijas avotam



Atvienojiet no enerģijas avota



Piezīme



Brīdinājums

GEDIMŪ NUSTATYMAS

Gedimas	Iespējamais cēlonis	Sprendimas
Mainīgs spiediens	Sūknis iesūc gaisu	Pārliecinieties, ka šļūtenes un savienojumi ir noblīvēti.
	Netīri, nodiluši vai iestrēguši vārsti	Lai veiktu remontu, nogādājiet ierīci pilnvarotā servisa centrā.
	Izdilušas sūkņa blīves	Lai veiktu remontu, nogādājiet ierīci pilnvarotā servisa centrā.
Iekārta apstājas	Aktivizēts pārkaršanas sensors	Atstājiet mazgātāju 15 minūtes atdzist.
	Sprausla daļēji nosprostota	Iztīriet sprauslu.
Produkta pulsēšana	Gaiss ieplūdes šļūtenē/sūknī	Darbiniet izstrādājumu ar nospiestu pistoles mēlīti, līdz atjaunojas normāls darba spiediens.
	Nepietiekoša ūdens daudzuma padeve	Pārliecinieties, ka ūdens padeve atbilst noteiktajām specifikācijām (skatīt modeļa etiķeti). Izvairieties no garu un tievu šļūteņu izmantošanas.
	Sprausla daļēji nosprostota	Iztīriet sprauslu.
	Nosprostots ūdens filtrs	Iztīriet filtru.
	Aizliekusies šļūtene	Iztaisnojiet šļūteni.
Produkts sāk darboties, bet ūdens padeve nenotiek	Sasalis sūknis/šļūtenes vai papildaprīkojums	Nogaidiet līdz sūknis, šļūtenes vai cits aprīkojums atkūst.
	Nav ūdens padeves	Pievienojiet ūdens padeves pieslēgumvietai ūdens avotu.
	Nosprostots ūdens filtrs	Iztīriet filtru.
	Sprausla nosprostota	Iztīriet sprauslu.

Projektuojant mūsų benzininį didžiaslėgį valytuvą pirmenybė buvo teikiama saugai, eksploatacinėms charakteristikoms ir funkciniam patikimumui.

NAUDOJIMO PASKIRTIS

Elektrinis didžiaslėgis valytuvus skirtas naudoti tik lauke. Darbo šiuo įrenginiu saugą galima užtikrinti tik dirbant abiem rankomis.

Gaminys skirtas namų savininkams arba buitiniam naudojimui. Juo galima valyti mechanizmus, transporto priemones, pastatus, grindis, įrankius, fasadus, terasas ir betoninius takelius naudojant švarų vandenį su cheminiu valymo plovikliu ar be jo, kad būtų pašalintas sukietėjęs purvas.

Įrenginį privaloma naudoti gero apšvietimo sąlygomis.

Nenaudokite kitais tikslais.

⚠ ĮSPĖJIMAS! Įrenginys skirtas naudoti su pateiktu neutraliu ar gamintojo rekomenduojamu valikliu. Naudojant kitokius valiklius ar chemines medžiagas gaminio saugai gali būti daromas nepalankus poveikis.

BENDRIEJI SAUGOS ĮSPĖJIMAI

⚠ ĮSPĖJIMAS! Perskaitykite visus saugos įspėjimus ir visą instrukciją. Įspėjimų ir instrukcijų nesilaikymas gali sukelti elektros smūgį, gaisrą ir (ar) rimtus sužeidimus.

- Vaikams ar asmenims, nesugebantiems saugiai naudotis šiuo įrenginiu dėl savo psichinio, jutimino arba protinio neįgalumo arba patirties bei žinių trūkumo, šiuo įrenginiu naudotis neleidžiama. Vaikus reikia tinkamai prižiūrėti, kad jie nežaistų su krūmapjove.
- Eksploatuodami įrenginį naudokite visas asmeninės apsaugos priemones, t. y. batus, apsaugines pirštines, apsauginį šalmą su akių skydeliu ir klausos apsaugus. Naudokite tik nuo didelio smūgio ir skysčio srovės apsaugančius akių skydelius.

⚠ ĮSPĖJIMAS! Nenaudokite įrenginio, jeigu darbo zonoje yra žmonių, nebent jie dėvėtų apsauginius drabužius.

- Siekiant išvengti sužeidimo pasirūpinkite, kad arti nebūtų vaikų ar pašalinių. Visi žiūrovai privalo naudoti apsauginius akinius ir atsitraukti saugiu atstumu nuo darbo vietos.

- Įsitinkinkite, ar tinkamai veikia saugos įtaisai. Kiekvieną kartą prieš imdamiesi naudoti įrenginį patikrinkite, ar visi saugos įtaisai veikia pagal reikalavimus.
- Įrenginį naudoti draudžiama, jeigu svarbios dalys yra pažeistos, pvz., saugos įtaisai, didžiaslėgės žarnos arba paleidžiamasis įtaisas.
- Jungdami paleidžiamąjį įtaisą privalote būti ypač atsargūs. Paleidžiamojo įtaiso rankeną stipriai suimkite abiem rankom, kad nebūtumėte sužeisti, kai paleidžiamojo įtaiso rankena atšoks atgal.

⚠ ĮSPĖJIMAS! Naudojant didžiaslėgius valytuvus gali susidaryti aerosoliai. Įkvėpti aerosoliai gali pakenkti jūsų sveikatai. Atsižvelgiant į didžiaslėgio valymo pobūdį galima naudoti ekranuotuosius antgalius, sumažinančius išmetamų vandens aerosolių kiekį. Tačiau ne su visais taikymo būdais šiuos antgalius įmanoma naudoti. Jeigu nuo aerosolių apsaugantieji ekranuotieji antgaliai nėra taikomi, atsižvelgiant į valymo aplinką gali tekti naudoti FFP 2 ar lygiavertės klasės kvėpavimo kaukę.

- Jeigu įrenginį paliekate be priežiūros, visada jį išjunkite.
 - Didžiaslėgis srautas kelia pavojų, jeigu naudojamas netinkamai. Srauto nukreipkite į žmones, įtampingąją elektros įrangą ar patį įrenginį.
 - Kad apsisaugotumėte nuo sprogo, nepurškite degiųjų skysčių.
 - Nenukreipkite srovės į save ar kitus, ketindami nuvalyti drabužius arba avalynę.
 - Įrenginiu neleidžiama valyti elektronikos įtaisų, drabužių ar avalynės.
 - Įrenginio sauga glaudžiai susijusi su žarnomis, jungiamosiomis detalėmis ir movomis. Naudokite tik gamintojo rekomenduotas žarnas, jungiamąsias detales ir movas.
 - Ilgiau naudojant, įrankis kelia sužeidimų pavojų ir apsunkina darbą. Ilgiau naudojant įrankius, reikia reguliariai daryti pertraukas.
- ⚠ PERSPĖJIMAS!** Jei nesumontuotas standarto EN 12729 reikalavimus atitinkantis B šeimos A tipo atgalinio srauto skyriklis, naudoti įrenginį geriamajam vandeniui tiekti yra draudžiama. Per atbulinio tekėjimo skyriklį tekantis vanduo nėra tinkamas gerti. Įrenginį prijungdami prie vandens tiekimo

vamzdyno visada atsižvelkite į jūsų vietinės vandentiekio bendrovės taisykles.

ELEKTROS SAUGOS ĮSPĖJIMAI

- Maitinimo kištukai turi atitikti lizdą. Niekada nekeiskite kištuko. Nepakeisti kištukai ir atitinkantys lizdai sumažina elektros smūgio pavojų.
- Jeigu pažeistas maitinimo kabelis ar kitos svarbios dalys, pvz., saugos įtaisai, įrenginį naudoti draudžiama.
- Kiekvieną kartą prieš imdamiesi naudoti patikrinkite maitinimo kabelį ir ilginamąjį kabelį. Jei maitinimo kabelis arba ilginamasis kabelis sugadintas, siekiant išvengti pavojaus, jį turi pakeisti gamintojas, jo priežiūros atstovas ar kitas kvalifikuotas asmuo.
- Kiekvieną kartą prieš naudojant įrenginį, būtina patikrinti, ar nepažeistas maitinimo laidas. Jeigu yra pažeidimo požymių, siekiant išvengti pavojaus laidą įgaliojame techninės priežiūros centre turi pakeisti kvalifikuotas specialistas.
- Saugokite maitinimo laidą nuo karščio, alyvos ir aštrių briaunų.
- Drėgnomis rankomis nelieskite maitinimo tinklo kištuko ir šio tinklo lizdo.
- Reikalavimų neatitinkantis ilginamasis kabelis gali kelti pavojų. Jeigu naudojamas ilginamasis kabelis, jis turi būti pritaikytas naudoti lauke, jungtis turi būti apsaugota nuo drėgmės ir pakelta virš žemės paviršiaus. Naudokite kabelio būgną, kad lizdas būtų bent 60 mm aukštyje virš pagrindo.
- Elektros lizdą, kuris turi atitikti IEC 60364-1 standarto reikalavimus, turi įrengti kvalifikuotas elektrikas. Rekomenduojama elektros tiekimo linijoje įrengti automatinius srovės jungiklius, kurie nutraukia elektros tiekimą, jei srovės nutekėjimas į žeminimo kontūrą 30 ms išsilaiko aukštesnis, nei 30 mA, arba prietaisą, užtikrinantį tinkamą žeminimą.

PAPILDOMI SAUGOS ĮSPĖJIMAI

- Kai kuriuose regionuose taisyklės riboja įrenginio naudojimą. Kreipkitės patarimo į vietos įstaigą.
- Kiekvieną kartą, prieš imdamiesi naudoti įrenginį, patikrinkite, ar jis nėra apgadintas. Pažeista didžiaslėgė žarna turi būti pakeičiama nedelsiant. Patikrinkite, ar

visos jungtys, pvz., didžiaslėgė žarna ir antgalis, atitinka saugos reikalavimus. Žarnas išvyniokite tinkamai, kad jos nebūtų sulenkiamos ar susukamos.

- Neleiskite vaikams ar neapmokytiems asmenims naudotis šiuo prietaisu.
- Prieš imdamiesi bet kokių valymo darbų uždarykite duris ir langus. Iš valytinos zonos pašalinkite šiukšles, žaislus, lauko baldus ar kitus galinčius kelti pavojų objektus.
- Jokiu būdu negalima kelti gaminio ar jį nešti veikiant varikliui.
- Įrenginio nenaudokite žemesnėje kaip 0°C temperatūroje.
- Su įrenginiu nenaudokite rūgščių, šarmų, tirpiklių, degujų medžiagų, balinimo medžiagų ar pramonės reikmėms skirtų tirpalų. Minėti produktai gali sužaloti operatorių ir nepataisoma sugadinti įrenginį.
- Įrenginį naudokite tik ant lygaus paviršiaus.

⚠ ĮSPĖJIMAS! Didžiaslėgis srautas kelia pavojų, jeigu būtų naudojamas ne pagal paskirtį. Srauto neleidžiama nukreipti į žmones, gyvūnus, elektros įtaisus ar į įrenginį.

- Paleidžiamojo įtaiso rankeną laikykite stipriai suspaudę abiem rankom. Numatykite, kad paleidžiamojo įtaiso rankena pajudės, kai patraukus paleidžiamąjį įtaisą jį veiks sąveikos jėgos. Jeigu į šiuo dalykus neatsižvelgsite, galite to įtaiso nesuvaldyti ir būsite sužeistas pats ar sužeisite kitus.
- Prieš įjungdami įrenginį patikrinkite, ar iš žarnos ir siurblio yra išleistas oras. Norėdami pašalinti orą iš žarnos ir siurblio, prijunkite prie siurblio sodo žarną, kad būtų tiekiamas vanduo, prijunkite prie siurblio svirtinę rankeną, panaudodami aukšto slėgio žarną, atleiskite gaiduko rankenos fikساتorių ir spauskite gaiduką, kol pradės tekėti pastovi srovė.
- Judėkite apdairiai, kad nepaslystumėte ar nepargriūtumėte.
- Visada tvirtai stovėkite ir išlaikykite pusiausvyrą. Nepersitempkite. Persitempę galite prarasti pusiausvyrą.
- Naudokite tik gamintojo patvirtintus priedus. Netinkamų papildomų detalių naudojimas gali sukelti sužeidimų pavojų.
- Niekada nepalikite veikiančio prietaiso be priežiūros. Išjungti gaminį. Nepalikite prietaiso, kol jis nesustos visiškai.

- Susipažinkite, kaip reikia naudoti valdymo įtaisus. Susižinokite, kaip galima išjungti įrenginį ir greitai sumažinti slėgį.
- Būkite budrūs ir kontroliuokite situaciją. Stebėkite, ką darote ir vadovaukitės sveika nuovoka.
- Nesinaudokite įrankiu būdami pavargę, apsvaigę nuo narkotinių medžiagų, alkoholio arba vaistų. Naudojant krūmapjovę, dėl menkiausio neatidumo, galima sunkiai susižeisti.
- Jei jungikliu prietaiso negalite tinkamai įjungti ir išjungti, prietaiso nenaudokite. Jungikliu nevaldomas bet koks prietaisas yra pavojingas ir jį reikia taisyti.
- Valydami transporto priemones užtikrinkite ne mažesnį kaip 30 cm atstumą. Didžiaslėgis srautas gali apgadinti ar susprogdinti transporto priemonės padangas ir (arba) padangų ventilius.
- Naudokite laistymui skirtą, neilgesnę nei 15 m ir nemažesnio, nei 18 mm (3/4 colio) skersmens, žarną.
- Prieš kiekvieną naudojimą įsitikinkite, ar priedas tvirtai prijungtas prie svirtinės rankenos.
- Prieš sandėliuodami įrenginį iš visų žarnų ir siurblio pašalinkite vandenį bei ištuštinkite ploviklio talpyklą.
- Paruošiant gabenimui, gaminį reikia pritvirtinti, kad nejudėtų ir nenukrstytų, nes priešingu atveju jis gali sužaloti žmones arba sugesti pats.
- Įrenginį laikykite tik patalpoje. Jei įrenginį laikysite žemesnėje nei 0 °C temperatūroje, jis gali sugesti.

PRIEŽIŪRA

- Keitimui naudokite tik originalias gamintojo atsargines dalis. Neoriginalios dalys gali būti sužeidimų ir įrenginio blogo veikimo priežastis, ir dėl to gali būti anuliuotas garantinis pažymėjimas.
- Aptarnavimą atlikti būtina itin atidžiai, todėl rekomenduojame, kad techninę apžiūrą vykdytų kvalifikuotas specialistas. Įrenginį techninei priežiūrai pristatykite tik į įgaliojantį techninės priežiūros centrą.
- Išjunkite įrenginį ir atjunkite jį nuo elektros lizdo. Įrenginį atjunkite nuo vandens tiekimo. Palaukite, kol įrenginys atvės:
 - prieš atlikdami techninę priežiūrą
 - prieš pašalindami užsikimšimą
 - prieš tikrindami ar valydami prietaisą arba prieš pradėdami jį pjauti žolę;
- Gaminį reguliuoti ar taisyti patiems galima tik tiek, kiek aprašyta šiame vadove. Dėl kitų dalių taisymo ar pagalbos taisant reikia kreiptis į įgaliojantį techninio aptarnavimo centrą.
- Reguliariai tikrinkite, ar didžiaslėgis valytuvas atitinka saugos reikalavimus ir atlikite jo techninę priežiūrą. „RYOBI“ rekomenduoja įrenginį patikrinti kas 6 mėnesius.
- Dažnai tikrinkite visas varžles, varžtus ir sraigtus, ar jie tvirtai laikosi ir ar gaminys yra saugios darbo būklės stovyje. Bet kurią apgadintą detalę leidžiama remontuoti arba keisti tik autorizuoatame aptarnavimo centre.

APSAUGA NUO PERKROVOS

Šiame įrankyje yra apsauginis įtaisas nuo perkrovos, kuris įsijungia esant perkaitinimui ar srovės pertrūkiui bei automatiškai išjungia elektros tiekimą į įrankį. Jei norite toliau dirbti, atjunkite prietaisą nuo maitinimo šaltinio, palaukite apie 15 minučių bei vėl jį prijunkite prie maitinimo šaltinio.

GABENIMAS IR LAIKYMAS

⚠ ATSARGIAI! Rinkdamiesi laikymo vietą ir gabendami įrenginį atsižvelkite į jo masę, kad būtų apsisaugota nuo nelaimės ar sužeidimo.

- Išjunkite variklį, atjunkite nuo maitinimo tinklo ir palaukite, kol įrenginys atvės. Prieš sandėliuodami įrenginį ar prieš jį gabendami atjunkite nuo vandens tiekimo linijos. Įrenginys visada turi būti laikomas tik stačias.
- Nuo įrankio nuvalykite visas pašalines medžiagas. Laikykite vėsioje, sausoje, gerai vėdinamoje ir vaikams nepasiekiamoje vietoje. Laikykite gaminį toliau nuo korozinių medžiagų, pvz. sodo chemikalų ir tirpdančių druskų. Nelaikykite įrenginio lauke.

PAŽINKITE SAVO GRANDINĮ PJŪKLĄ

Žr. 145 psl.

1. Rankenėlė
2. Maitinimo kabelio laikiklis
3. ĮJUNGIMO/IŠJUNGIMO jungiklis
4. Vartotojo instrukcija
5. Rankenos varžtas

6. Vandens įvado filtras
7. Vandens įvado prievadas
8. Maitinimo laidas
9. Žarnos atlaisvinimo mygtukas
10. Vandens išvado prievadas
11. Paleidimo gaiduko laikiklis
12. Ilginamasis vamzdis
13. Paleidiklio rankenos fiksatorius
14. Perjungiklis
15. Žarnos fiksavimo mygtukas
16. Aukšto slėgio žarna
17. Universalusis antgalis
18. Sodo žarna
19. RYOBI valymo priemonė
20. Sodo žarnos jungtis
21. Turbininis vamzdinis antgalis
22. Ploviklio indas

PASTABA: Jei naudojate plovimo priemonę, žr. plovimo priemonės saugos duomenų lapą.

SAUGOS ĮTAISAI

- ĮJUNGIMO/IŠJUNGIMO jungiklis
 - Įjungimo / išjungimo jungiklis apsaugo nuo netyčinio prietaiso naudojimo.
- Paleidiklio rankenos fiksatorius
 - Paleidžiamojo įtaiso rankenos fiksatorius užfiksuoja gaiduką ir apsaugo nuo netyčinio aukšto slėgio srovės paleidimo.
- Apsauginis vožtuvas su slėgio jungikliu
 - Apsauginis vožtuvas neleidžia viršyti leistino darbinio slėgio. Paleidus svirtelę ant paleidiklio pistoleto, slėgio jungiklis išjungia siurbį ir aukšto slėgio srovės stabdoma. Patraukus svirtelę, siurblys vėl įjungiamas.
- Apsauga nuo perkrovos
 - Šiluminis jutiklis apsaugo prietaisą nuo perkrovos. Jei prietaisas perkaista, jis automatiškai išsijungia.

SIMBOLIAI ANT ĮRENGINIO



Reguliariai ir prieš kiekvieną naudojimą tikrinkite, ar tinkamai užveržti visi sraigčiai, varžtai ir veržlės, kad užtikrintumėte saugą darbo aplinką. Vadovaukitės visais įspėjimais ir saugos taisyklėmis.



II klasės įrankis, dviguba izoliacija



Dėvėkite akių ir klausos apsaugą.



Energija



Šio prietaiso negalima jungti prie geriamojo vandens tinklo, jei nesumontuotas apsaugos nuo atbulinio srauto įtaisas.



Purškimo vamzdelį draudžiama nukreipti į žmones, gyvūnus, mechanizmo korpusą, elektros energijos tiekimo įrangą arba bet kokius elektros įtaisus.



Nominalusis slėgis



Jei norite įjungti žemo slėgio režimą, kad galėtumėte naudoti putas / ploviklį, pasukite apatinę purkštuko dalį iki pat galo į dešinę pusę.



Europos atitikties ženklas



Didžiosios Britanijos atitikties ženklas



„EurAsian“ atitikties ženklas



Ukrainos atitikties ženklas



Garantuotas akustinis lygis



Elektrinių produktų atliekos neturi būti metamos kartu su namų ūkio atliekomis. Prašome perdirbkite jas ten, kur yra tokios perdirbimo bazės. Dėl perdirbimo patarimo kreipkitės į savo vietinę savivaldybę ar pardavėją.

SIMBOLIAI VADOVE



Mūvėkite neslystančias, tvirtas apsaugines pirštines.



Detalės arba priedai yra parduodami atskirai



Pajunkite į maitinimo lizdą



Išjunkite iš maitinimo lizdo



Pastaba



Įspėjimas!

GEDIMŲ NUSTATYMAS

Gedimas	Galima priežastis	Sprendimas
Nepastovus slėgis	Į siurbį patenka oro	Patikrinkite, ar žarnos ir jungtys yra sandarios.
	Nešvarūs, nusidėvėję arba užstrigę vožtuvai	Jei reikia atlikti techninio aptarnavimo darbus, nugabenkite gaminį į įgaliotą techninio aptarnavimo centrą.
	Nusidėvėję siurblio sandarikliai	Jei reikia atlikti techninio aptarnavimo darbus, nugabenkite gaminį į įgaliotą techninio aptarnavimo centrą.
Prietaisas išsijungia	Suveikė šilumos jutiklis	Palaukite 15 minučių, kol aukšto slėgio valymo įrenginys atvės.
	Dalis antgalio užsikimšo	Išvalykite antgalį.
Netolygus skysčio spaudimas	Oras įleidimo žarnoje / siurblyje	Leiskite prietaisui veikti su atidarytu paleidikliu, kol jis ims veikti įprastu darbinio slėgiu.
	Nepakankamas vandens tiekimas iš tinklo	Patikrinkite, ar vandens tekimas atitinka nurodytus parametrus (žr. modelio lentelę). Nenaudokite ilgų ir plonų žarnų.
	Dalis antgalio užsikimšo	Išvalykite antgalį.
	Užsikimšo vandens filtras	Valykite filtrą.
	Susisuko žarna	Ištiesinkite žarną.
Įrenginys įsijungia, bet vanduo nepurškiamas	Siurblys / žarnos arba priedas užšalo	Palaukite, kol siurblys, žarnos ar kitas priedas atšils.
	Nutrūko vandens tiekimas	Prijunkite vandens įleidimo prievadą prie vandens šaltinio.
	Užsikimšo vandens filtras	Valykite filtrą.
	Užsikimšo antgalis	Išvalykite antgalį.

Elektrilise survepesuri juures on peetud esmatähtsaks ohutust, töövõimet ja töökindlust.

OTSTARBEKOHANE KASUTAMINE

Elektrilist survepesurit tohib kasutada ainult välitingimustes. Ohutuse tagamise eesmärgil peab töötamise ajal hoidma tööriista kahe käega, et seda saaks piisavalt kontrollida.

Seade on ette nähtud kasutamiseks kodumajapidamises. See on mõeldud masinate, sõidukite, hoonete, põrandate, tööriistade, fassaadide, terrasside ja betoonist jalgteede puhastamiseks, kasutades mustuse eemaldamiseks puhast vett koos puhastusvahendiga või ilma selleta.

Toodet tohib kasutada hästi valgustatud tingimustes.

Ärge kasutage ühekski muuks otstarbeks.

⚠ HOIATUS! Tootega võib kasutada kaasasolevat või tootja poolt soovitatud neutraalset puhastusvahendit. Teiste puhastusvahendite või kemikaalide kasutamine võib kahjustada toote ohutust.

OHUTUSE ÜLDEESKIRJAD

⚠ HOIATUS! Lugege kõik ohuhoiatused ja juhised läbi. Hoiatuste ja juhiste eiramisel on oht saada elektrilööki või raskeid kehavigastusi ning/või põhjustada tulekahju.

- Toodet ei tohi kasutada lapsed või isikud, kelle füüsilised või vaimsed võimed on piiratud või kellel ei ole seadme kasutamiseks vajalikke kogemusi või teadmisi. Laste järele tuleb piisavalt valvata, et nad seadmega ei mängiks.
- Tootega töötamise ajal kasutage isikukaitsevahendeid, nagu saapad, kaitsekindad, näokaitsega kiiver ja kuulmiskaitsevahendid. Kasutage ainult pritsmekaitsega löögikindlat näokaitset.

⚠ HOIATUS! Ärge kasutage toodet inimeste läheduses, kes ei kannu isikukaitsevahendeid.

- Vigastuste ohu vähendamiseks hoidke lapsed ja kõrvalised isikud eemal. Kõik kõrvaliseisjad peavad kandma turvaprille ja asuma tööalast ohutul kaugusel.
- Veenduge, et ohutusseadmed oleksid heas töökorras. Iga kord enne kasutamist veenduge, et kõik turvaseadmed töötavad korralikult.
- Ärge kasutage toodet, kui olulised osad nagu turvaseadmed, survevoolikud või päästikuga püstol on kahjustatud.

- Olge päästiku vabastamisel ettevaatlik. Tagasilöögist tingitud vigastuste vältimiseks hoidke päästikuga käepidemest kindlalt mõlema käega kinni.

⚠ HOIATUS! Survepesuri kasutamisel võib tekkida aerosooli. Aerosooli sissehingamine võib tervist kahjustada. Sõltuvalt rakendusest võib survepuhastuseks kasutada kaetud otsakuid, mis vähendavad veeaerosooli moodustumist. Neid ei saa aga iga töö puhul kasutada. Kui vee pihustumise vastast kaetud otsakut aerosoolide vastaseks kaitseks kasutada ei saa, võib sõltuvalt keskkonnast vaja minna FFP2-klassi või samaväärset respiraatorit.

- Ärge jätke pesurit tööle järelevalveta.
- Survejuga on vale kasutamise puhul ohtlik. Ärge suunake juga inimeste, voolu all olevate elektriseadmete ega toote enda peale.
- Plahvatusohu vältimiseks ärge pihustage süttivaid vedelikke.
- Ärge suunake juga enda ega teiste poole, et puhastada riideid või jalanõusid.
- Ärge kasutage toodet elektrooniliste seadmete, riiete ega jalanõude puhastamiseks.
- Survevoolikud, liitmikud ja muhvid on toote ohutuse seisukohalt olulised. Kasutage ainult tootja soovitatud voolikuid, liitmikke ja muhve.
- Seadme pikaajalisel kasutamisel võite saada kehavigastusi ja varasemad vigastused võivad süveneda. Seadme kasutamisel pika aja jooksul tuleb teha korralisi vaheaegasid.

⚠ ETTEVAATUST! Toodet ei tohi kasutada ilma EN 12729 BA-tüüpi tagasivooluventiilita joogiveevõrgus. Tagasivooluventiilist läbivoolavat vett peetakse joogikõlbmatuks. Toote veevarustusega ühendamisel järgige kohaliku veevärgiettevõtte eeskirju.

ELEKTRIOHUTUSE HOIATUSED

- Toitepistikud peavad pistikupessa sobima. Ärge püüdke pistiku konstruktsiooni mingil moel muuta. Pistiku ja pistikupessa konstruktsiooni muutmise korral tekib elektrilöögi oht.
- Ärge kasutage toodet, kui toitejuhe või muud olulised osad, nagu turvaseadmed, on kahjustatud.

- Iga kord enne kasutamist kontrollige, kas toitejuhe ja pikendusjuhe on terved. Kui toitekaabel või pikenduskaabel on vigane, peab selle välja vahetama tootja, tootja poolt volitatud hooldustöötaja või sarnase kvalifikatsiooniga isikud, et vältida ohtusid.
- Enne iga kasutuskorda kontrollige toitejuhe üle vigastuste suhtes. Kui on vigastumise märke, tuleb ohu vältimiseks see asendada heakskiidetud teeninduskeskuses pädeva elektriiku poolt.
- Hoidke toitejuhe eemal kuumusest, õlist ja teravatest servadest.
- Ärge kunagi puudutage toitepistikut ja pistikupesa märgade kätega.
- Rikkis pikendusjuhe võib olla ohtlik. Pikendusjuhtme kasutamisel peab see olema mõeldud väliskasutuseks ning ühendus tuleb hoida kuivana ja maast kõrgemal. Pistiku maast vähemalt 600 mm kõrgusel hoidmiseks kasutage pooli.
- Elektriühenduse peab teostama kvalifitseeritud elektrik kooskõlas standardiga IEC 60364-1. On soovitatav, et toote elektriühendus sisaldaks kas rikkevoolukaitselüliti, mis katkestab toite, kui lekkevool maasse ületab 30 mA 30 ms jooksul, või seadet, mis katkestab maanduse.
- Kasutage toodet ainult tasasel pinnal.
- ⚠ **HOIATUS!** Valesti kasutatav survejuga võib olla ohtlik. Ärge suunake juga inimeste, voolu all olevate elektriseadmete ega toote enda peale.
- Hoidke päästiku käepidemest kindlalt mõlema käega kinni. Olge valmis selleks, et päästikuga käepide võib tõmbamisel reaktsioonijõudude tõttu liikuda. Kui päästikut kindlalt ei hoita, võib kontroll pesuri üle kaduda ja te võite ennast või teisi vigastada.
- Enne toote sisselülitamist veenduge, et õhk on voolikus ja pump on vaba. Voolikust ja pumbast õhu eemaldamiseks ühendage pump aiavooliku abil veevarustusega, ühendage päästikuga käepide pumba külge survevooliku abil, vabastage päästiku lukustus ja vajutage päästikut, kuni tekib ühtlane veevool.
- Olge ettevaatlik, et te ei libiseks ega kukuks.
- Hoidke kindlat jalgade asendit ja tasakaalu. Ärge kummardage. Kummardamine võib põhjustada tasakaalu kadumist.
- Kasutage ainult tootja poolt lubatud lisaseadmeid. Ebasobivate tarvikute kasutamine võib põhjustada kehavigastuse ohu.
- Ärge kunagi jätke toodet tööle järelevalveta. Lülitage seade välja. Ärge lahkuge toote juurest enne selle täielikku peatumist.

TÄIENDAVID OHUTUSJUHISED

- Mõnedes piirkondades on seadused, mis piiravad selle toote kasutamist. Lisateavet saate kohalikest omavalitsustest.
- Iga kord enne kasutamist kontrollige toodet seoses kahjustustega. Kahjustatud survevoolik tuleb otsekohe välja vahetada. Tagage, et kõik ühendused (nt survevoolik ja otsak) oleks turvalised. Kerige voolik lahti õigesti, et see ei läheks keerdu ega sõlme.
- Ärge lubage seadet kasutada lastel ega väljaõppeta isikutel.
- Enne puhastamist sulgege aknad ja ukсед. Puhastatavas piirkonnas ei tohi olla prahti, mänguasju, aiamööblit ega muid ohtlikuks osutada võivaid esemeid.
- Ärge mingil juhul mootori töötamise ajal kultivaatorit üles tõstke ega kandke.
- Ärge kasutage toodet temperatuuril alla 0 °C.
- Ärge kasutage toodet hapete, aluste, lahustite, süttiva materjali, valgendite ega tööstuslike lahustitega. Need tooted võivad kasutajat füüsiliselt vigastada ja toodet pöördumatult kahjustada.
- Tehke juhtelemendid endale selgeks. Tehke endale selgeks toote peatamine ja kiiresti surve alt vabastamine.
- Olge tähelepanelik ja hoidke seadet kontrolli all. Jälgige mida teete ja kasutage tervet mõistust.
- Ärge kasutage toodet, kui olete väsinud, haige või narkootikumide, alkoholi või ravimite mõju all. Hetkeline tähelepanu hajumine seadme kasutamise ajal võib põhjustada raske kehavigastuse.
- Ärge kasutage seadet, kui lüliti ei lülita seda sisse ja välja. Lülitiga lülitamatu seadme kasutamine on ohtlik ja see tuleb lasta ära remontida.
- Auto puhastamisel hoidke vähemalt 30 cm vahet. Survejuga võib autorehve ja/või ventiile kahjustada või nad ära lõhkuda.
- Kasutage ajavoolikut, mille maksimaalne pikkus on 15 m ja minimaalne läbimõõt 18 mm.
- Iga kord enne kasutamist veenduge, et tarvik on pihustuspüstoli külge turvaliselt kinnitatud.

ÜLEKOORMUSE KAITSE

Seadmel on ülekoormuse kaitse, mis aktiveeritakse ülekuumenemisel või voolutõuke ilmumisel lülitab seadme automaatselt välja. Tööolekusse lähtestamiseks ühendage toitepinge lahti, oodake 15 minutit ja ühendage toode seejärel uuesti toitevõrku.

TRANSPORTIMINE JA HOIUSTAMINE

⚠ ETTEVAATUST! Hoiukohta valides ja transportides pidage õnnetuste ja vigastuste vältimiseks silmas toote kaalu.

- Seisake toode, ühendage toide lahti ja laske tootel maha jahtuda. Enne hoiustamist või transporti ühendage toode veevarustuse küljest lahti. Toode võib olla ainult püstiasendis.
- Puhastage seade kõikidest võõrkehadest. Hoidke kuivas ja hästi ventileeritud kohas, mis on lastele juurdepääsmatu. Hoidke seadet eemal korrodeerivatest ainetest, nagu aiakemikaalid ja jääsulatussoolad. Ärge hoiustage toodet väljas.
- Enne toote hoiustamist eemaldage kõigist voolikutest ja pumbast vesi ning tühjendage puhastusvahendi paak.
- Vedamise ajal tõkestage kultivaator liikuma hakkamise ja alla kukkumise vastu, et vältida kehavigastusi ja masinaosade kahjustamist.
- Hoiustage toodet ainult siseruumides. Toote hoiustamine madalama kui 0 °C temperatuuri juures kahjustab seda.

HOOLDUS

- Kasutage ainult tootja originaalvaruosi, tarvikuid ja tööorganeid. Selle nõude eiramine võib põhjustada, kehavigastuse, tootluse languse ja teile antud garantii tühistamise.
- Hooldamine nõuab ülimalt korrashoidu ja teadmisi ning tuleks teostada ainult kvalifitseeritud hooldustehnikute poolt. Toodet tohib parandada vaid volitatud teeninduses.
- Lülitage toode välja ja lahutage pistik toiteallikast. Ühendage toode veevarustuse küljest lahti. Laske tootel maha jahtuda:
 - enne hooldust
 - enne takistuse kõrvaldamist
 - enne kontrollimist, puhastamist või teenindamist,
- Lubatud on teha ainult selles kasutusjuhendis kirjeldatud reguleerimis- ja

parandustoiminguid. Muude remonditööde tellimiseks ja abi saamiseks pöörduge volitatud hoolduskeskusesse.

- Tööohutuse tagamiseks tuleb survepesurit regulaarselt kontrollida ja hooldada. RYOBI soovib toode iga 6 kuu tagant üle vaadata.
- Kontrollige kõiki mutreid, polte ja kruvisid sagedaste intervallidega õige pinguloleku suhtes, et veenduda toote ohutus töökorras olemises. Vigastatud osad tuleb lasta pädeval hooldajal parandada või asendada.

ÕPPIGE OMA TOODET TUNDMA

Vt leht 145.

1. Kandekäepide
2. Toitekaabli hoidik
3. SISSE/VÄLJA lüliti
4. Kasutusjuhend
5. Käepideme kruvi
6. Vee sisselaske filter
7. Vee sisselaskeava
8. Toitejuhe
9. Vooliku vabastusnupp
10. Vee väljalaskeava
11. Pesupüstoli hoidik
12. Pikenduspüstol
13. Päästiku lukustuslüli
14. Päästik
15. Vooliku lukustusnupp
16. Survevoolik
17. Variopüstol
18. Aiavoolik
19. RECEBI pesuaine
20. Aiavooliku liitmik
21. Turbopüstol
22. Puhastusvahendi pudel

MÄRKUS. Pesuvahendit kasutades vaadake selle materjali ohutuskaarti.

OHUTUST TAGAVAD SEADISED

- SISSE/VÄLJA lüliti
 - Sisse-/väljalüliti hoiab ära toote tahtmatu käitamise.
- Päästiku lukustuslüli
 - Päästiku lukustuslüli lukustab päästiku ja hoiab ära survejoa tahtmatu vabastamise.
- Survelülitiga ülevooluventiil
 - Ülevooluventiil hoiab ära lubatud töörohu ületamise. Kui vabastada päästikuga püstoli hoob, lülitab survelüliti pumba välja ja survejuga seiskub. Hooba tõmmates lülitub pump uuesti sisse.

■ Ülekoormuse kaitse

- Temperatuuriandur kaitseb toodet ülekoormuse eest. Ülekuumenemise korral lülitub toode automaatselt välja.

MASINAL OLEVAD SÜMBOLID



Enne toote kasutamist lugege läbi ja tehke endale selgeks kõik juhised. Järgige kõiki hoiatusi ja tööohutuseeskirju.



Tööriista klass II, topeltisolatsiooniga



Kandke kaitseprille ja kõrvaklappe.



Toide



Toodet ei tohi ühendada joogiveevõrguga ilma tagasivoolukaitseta.



Ärge kunagi suunake pihustustoru inimeste, loomade, masina korpuse, toiteallika ega elektriseadmete poole.



Nimirõhk



Pöörake otsiku alumine osa lõpuni paremale, et aktiveerida vahustamise / puhastusvahendi jaoks madalsurvežiim.



Euroopa vastavusmargis



Suurbritannia vastavusmargis



Euraasia vastavusmärk



Ukraina vastavusmargis



Garanteeritud helivõimsuse tase



Mittekasutatavaid elektritooteid ei tohi visata olmejäätmete hulka. Vaid tuleb viia vastavasse kogumispunkti. Vajadusel küsige sellekohast nõu oma edasimüüjalt või vastavalt kohaliku omavalitsuse institutsioonilt.

KASUTUSJUHENDI SÜMBOLID



Kandke libisemiskindlaid, tugevdatud kaitsekindlaid.



Eraldi ostetavad osad või tarvikud



Ühendage pistikupesassa



Võtke pistikupesast välja



Märkus



Hoiatus

RIKKEOTSING

Probleem	Võimalik põhjus	Lahendus
Kõikuv surve	Pump imeb õhku	Kontrollige, kas voolikud ja ühendused on õhukindlad.
	Mustad, kulunud või kinnijäänud ventiilid	Hoolduseks andke seade volitatud hoolduskeskusesse.
	Kulunud pumbatihendid	Hoolduseks andke seade volitatud hoolduskeskusesse.
Masin peatub	Temperatuuriandur on aktiveeritud	Laske puhastusseadmel 15 minutit jahtuda.
	Otsak on osaliselt ummistunud	Puhastage otsakut.
Toode pulseerib	Sisselaskevoolikus/pumbas on õhk	Laske tootel töötada avatud päästikuga, kuni taastub normaalne tööõhk.
	Veevarustus ei ole piisav	Kontrollige, kas veevarustus vastab ettenähtud nõuetele (vt mudeli etiketti). Vältige pikkade peenikeste voolikute kasutamist.
	Otsak on osaliselt ummistunud	Puhastage otsakut.
	Veefilter on ummistunud	Puhastage filtrit.
	Voolik on keerdu	Tõmmake voolik sirgeks.
Toode käivitub, kuid vett ei tule	Külmunud pump/voolikud või tarvik	Oodake, kuni pump, voolikud või muud tarvikud üles sulavad.
	Puudub veevarustus	Ühendage vee sisselaskeava veevarustusega.
	Veefilter on ummistunud	Puhastage filtrit.
	Otsak on ummistunud	Puhastage otsakut.

Vodeću ulogu u dizajnu Vašeg električnog visokotlačnog čistača imaju sigurnost, performanse i pouzdanost.

NAMJENA

Električni visokotlačni čistač namijenjen je isključivo uporabi na otvorenom prostoru. Iz sigurnosnih razloga proizvod za vrijeme rukovanja uvijek držite pod kontrolom držeći ga s obje ruke.

Ovaj proizvod namijenjen je za kućnu ili upotrebu u domaćinstvu. Ovaj uređaj, namijenjen čišćenju strojeva, vozila, zgrada, podova, alata, fasada, terasa i asfaltiranih staza, uklanja tvrdokornu prljavštinu mlazom čiste vode s ili bez uporabe sredstva za pranje.

Proizvod se treba koristiti u dobro osvijetljenim uvjetima.

Nemojte koristiti oštricu u nikakvu drugu svrhu.

⚠ UPOZORENJE! Proizvod je osmišljen za uporabu s neutralnim sredstvom za pranje, koje se isporučuje s njim ili koje preporuča proizvođač. Uporaba drugih sredstava za pranje ili kemikalija može nepovoljno utjecati na sigurnost proizvoda.

OPĆA SIGURNOSNA PRAVILA

⚠ UPOZORENJE! Pročitajte sva sigurnosna upozorenja i sve upute. Nepridržavanje upozorenja i uputa može izazvati strujni udar, požar i/ili ozbiljne ozljede.

- Proizvod ne smiju koristiti djeca ili osobe smanjenih motoričkih, senzornih ili mentalnih sposobnosti, te nestručne osobe i osobe bez iskustva. Djecu je potrebno odgovarajuće nadzirati kako bi se osiguralo da se ne igraju s proizvodom.
- Pri radu proizvodom koristite cjelokupnu zaštitnu opremu: zaštitne čizme, rukavice, sigurnosnu kacigu s vizorom i zaštitu za sluh. Koristite samo vizire koji mogu izdržati snažne udarce i prskanja tekućine.
- ⚠ **UPOZORENJE!** Nemojte koristiti proizvod u blizini drugih osoba, osim ako te osobe također ne nose zaštitnu opremu.
- Kako biste smanjili rizik od ozljeda, djecu i posjetitelje držite podalje od mjesta rada. Svi posjetitelji trebaju nositi zaštitne naočale i biti na sigurnoj udaljenosti od radnog područja.
- Uvjerite se da su svi sigurnosni uređaji u dobrom radnom stanju. Prije svake uporabe provjerite rade li svi sigurnosni uređaji ispravno.

- Nemojte koristiti proizvod ako su oštećeni njegovi važni dijelovi, kao što su to sigurnosni uređaji, visokotlačna crijeva ili pištolj s okidačem.

- Budite oprezni pri otvaranju mlaza pištolja. Kako biste izbjegli ozljede zbog trzaja i povratnog udara, držite ručicu s pištoljem čvrsto s obje ruke.

⚠ UPOZORENJE! Za vrijeme korištenja visokotlačnih čistača postoji mogućnost stvaranja aerosola. Udisanje aerosola može biti opasno po zdravlje. Ovisno o primjeni uređaja, za čišćenje pod visokim tlakom moguće je upotrijebiti oklopljene mlaznice, koje smanjuju emisiju štetnog aerosola. Međutim, takve mlaznice nije moguće upotrijebiti u svim primjenama uređaja. Ako za zaštitu od aerosola nije moguće upotrijebiti oklopljene mlaznice, potrebno je koristiti masku za disanje klase FFP 2 ili ekvivalentne, ovisno o okolišu.

- Uvijek zaustavite proizvod ako ga ostavljate bez nadzora.
- Visokotlačni mlaz je opasan ako se koristi na pogrešan način. Nemojte usmjeravati mlaz prema osobama, električnoj opremi pod naponom ili samom proizvodu.
- Kako biste izbjegli rizik od eksplozije, nemojte prskati zapaljive tekućine.
- Nemojte usmjeravati mlaz prema sebi ili drugima radi čišćenja odjeće ili obuće.
- Nemojte koristiti ovaj proizvod za čišćenje elektronskih uređaja, odjeće ili obuće.
- Visokotlačna crijeva, priključci i spojnice su važni za sigurnost proizvoda. Koristite samo crijeva, priključke i spojnice preporučene od strane proizvođača.
- Povrede mogu biti uzrokovane ili zadobivene produljenim korištenjem alata. Kada koristite bilo koji alat dulje vremena, osigurajte da uzimate povremene stanke.
- ⚠ **OPREZ Proizvod se ne smije koristiti na dovodu tekuće vode ako prethodno nije montiran uređaj za sprječavanje povratnog toka vode koji odgovara normi EN 12729, tip BA.** Voda koja protječe kroz uređaj za sprječavanje povratnog toka nije pogodna za piće. Pri spajanju proizvoda na priključak vodovoda uvijek poštuju propise vašeg lokalnog isporučitelja vodnih usluga javne vodoopskrbe i javne odvodnje.



SIGURNOSNA UPOZORENJA ZA ELEKTRIČNU OPREMU

- Utikači moraju odgovarati utičnici. Nikada nemojte modificirati utikače ni na koji način. Originalni utikači i odgovarajuće utičnice smanjuju opasnost od strujnog udara.
- Nemojte koristiti proizvod ako je oštećen naponski kabel ili drugi njegovi važni dijelovi, kao što su to, primjerice, sigurnosni uređaji.
- Prije svakog korištenja uređaja, povjerite naponski kabel i produžni naponski kabel. Kako bi se izbjegli mogući rizici i opasnosti, oštećeni naponski kabel ili produžni naponski kabel mora ga zamijeniti proizvođač, njegov servisni predstavnik ili slična kvalificirana osoba.
- Prije svakog korištenja, provjerite kabel za napajanje na oštećenje. Ako postoje znakovi oštećenja, mora ga zamijeniti kvalificirana osoba u ovlaštenu servisnom centru kako bi se izbjegla opasnost.
- Držite kabel za napajanje podalje od topline, ulja i oštih rubova.
- Nikada nemojte dodirivati utikač i utičnicu naponske mreže mokrim rukama.
- Neodgovarajući ili oštećeni produžni naponski kabeli mogu biti opasni. Ako koristite produžni naponski kabel, on mora biti odgovarajuće klase za uporabu na otvorenom i nenatkrivenom prostoru, a spoj mora biti na suhom mjestu i podignut od tla. Pomoću namota za kabel držite utičnicu najmanje 60 mm od tla.
- Spoj s izvorom električnog napajanja mora izvesti kvalificirani električar i mora biti sukladan sa zahtjevima IEC 60364-1. Preporučuje se da se u sklopu električnog napajanja proizvoda postavi ili zaštitni uređaj diferencijalne struje koji će prekinuti dovod napona ako odvođenje struje prema uzemljenju premašuje 30 mA u trajanju od 30 ms ili ako je uređaj na krugu uzemljenja.

DODATNA SIGURNOSNA UPOZORENJA

- Neke regije imaju pravila koja ograničavaju korištenje proizvoda. Provjerite kod lokalnih tijela za savjet.
- Prije svake uporabe provjerite je li proizvod oštećen. Oštećeno visokotlačno crijevo mora se odmah zamijeniti. Svi spojevi, kao što su, primjerice, visokotlačno crijevo i mlaznice,

moraju biti čvrsto zategnuti i sigurno spojeni. Crijevo odmotajte tako da se ne savija ili uvija.

- Nemojte dopustiti djeci ili nestručnim osobama da koriste ovaj proizvod.
 - Prije započinjanja postupka čišćenja zatvorite vrata i prozore. Oslobodite područje koje želite čistiti od ostataka, igraćaka, vanjskog namještaja ili drugih predmeta koji mogu predstavljati opasnost.
 - Nikada ne podižite ili ne nosite proizvod dok motor radi.
 - Nemojte koristiti proizvod na temperaturama nižim od 0°C.
 - Nemojte koristiti kiseline, lužine, zapaljive materijale, izbjeljivače ili industrijske otopine. Ovi proizvodi mogu prouzročiti tjelesne ozljede operateru i nepovratnu štetu na proizvodu.
 - Proizvodom uvijek rukujte na ravnoj površini.
- ⚠ UPOZORENJE!** Mlaz pod visokim tlakom može biti opasan ako se zlorabi ili pogrešno upotrebljava. Zabranjeno je usmjeravati mlaz prema ljudima, električnim uređajima ili samom proizvodu.
- Držite ručicu s pištoljem čvrsto s obje ruke. Očekujte da će se, zbog reakcijskih sila i djelovanja mlaza, ručica pomaknuti kada povučete okidač pištolja. Ako ne slijedite ove upute možete izgubiti kontrolu nad uređajem i prouzročiti tjelesne ozljede sebi i drugim osobama u okolici.
 - Prije uključivanja proizvoda provjerite je li ispušten zrak iz crijeva i pumpe. Za ispuštanje svog zraka iz crijeva i pumpe, spojite dobavu vode na pumpu pomoću vrtnog crijeva, spojite ručicu s okidačem na pumpu pomoću visokotlačnog crijeva, isključite blokadu ručice s okidačem i pritisnite i držite prekidač sve dok se ne pojavi stabilan tok mlaza.
 - Budite iznimno oprezni kako se ne biste okliznuli ili pali.
 - Zauzmite čvrst stav i ravnotežu. Ne sežite preko određene granice. Sezanje preko određene granice može imati za posljedicu gubitak ravnoteže.
 - Koristite samo pribor koji je odobrio proizvođač. Korištenje neprikladnih dodatnih pribora može dovesti do ozljeda.
 - Nikada ne ostavljajte proizvod da radi bez nadzora. Isključite proizvod. Nemojte ostavljati proizvod sve dok se proizvod potpuno ne zaustavi.



- Upoznajte se s komandama uređaja. Morate znati kako zaustaviti proizvod i kako brzo ispustiti tlak.
- Budite na oprezu i imajte kontrolu nad alatom. Gledajte to što radite i pri radu s alatom koristite zdrav razum.
- Ne koristite proizvod ako ste umorni ili pod utjecajem droga, alkohola ili lijekova. Trenutak nepažnje pri radu s proizvodom može dovesti do teških osobnih ozljeda.
- Nemojte koristiti proizvod ako ga sklopka pravilno ne uključuje ili isključuje. Proizvod koje se ne može kontrolirati pomoću sklopke je opasan i mora se popraviti.
- Pri čišćenju vozila držite rastojanje od površine minimalno 30 cm. Mlaz pod visokim tlakom može oštetiti ili probiti gume vozila i/ili ventile guma.
- Koristite vrtno crijevo maksimalne duljine 15 m i minimalnog promjera 18 mm (3/4 inča)
- Prije svake upotrebe pribora, uvjerite se da je dobro pričvršćen za pištolj s okidačem.

ZAŠTITA OD PREOPTEREĆENJA

Proizvod ima uređaj za zaštitu od preopterećenja koja se aktivira kad dođe do pregrijavanja ili vršne struje, automatski isključujući napajanje proizvoda. Za nastavka rada, isključite proizvod iz napajanja, pričekajte oko 15 minuta i ponovno priključite proizvod na napajanje.

PRIJEVOZ I SKLADIŠTENJE

⚠ UPOZORENJE! Kako biste spriječili nesreće ili ozljede, pri odabiru lokacije skladištenja i za vrijeme transporta imajte na umu težinu proizvoda.

- Zaustavite proizvod, isključite ga s izvora napajanja, i pustite da se ohladi. Prije skladištenja ili transporta odspojite proizvod s dovoda vode. Nikada nemojte postavljati proizvod u bilo koji drugi položaj osim uspravnog.
- Očistite svaki strani materijal s uređaja. Skladištite ga na suhom i dobro ventiliranom mjestu koje nije pristupačno djeci. Držite proizvod podalje od korozivnih sredstva kao što su vrtno kemikalije i soli protiv zaleđivanja. Proizvod ne čuvajte na otvorenom.
- Prije pohrane i skladištenja proizvoda izbacite vodu iz svih crijeva i pumpe, te ispraznite spremnik sa sredstvom za pranje.
- Za prijevoz, osigurajte uređaj protiv pomicanja ili pada kako biste spriječili povrede osoba ili oštećenja na uređaju.

- Proizvod čuvajte samo u zatvorenom prostoru. Pohranjivanje proizvoda u nekom području s temperaturom nižom od 0° će oštetiti proizvod.

ODRŽAVANJE

- Koristite samo originalne zamjenske dijelove, dodatni pribor i priključke od proizvođača. Nepoštivanje ovih uputa može dovesti do mogućih ozljeda, loše učinkovitosti i može dovesti do poništenja jamstva.
- Servisiranje iziskuje krajnju pažnju i znanje i treba da ga vrši samo kvalificirani serviser. Neka se proizvod servisira samo u ovlaštenom servisnom centru.
- Isključite proizvod i izvucite utikač iz električne utičnice. Proizvod odspojite s dovoda vode. Pustite da se proizvod ohladi:
 - prije servisiranja
 - prije uklanjanja blokade
 - prije provjere, čišćenja ili rada na uređaju
- Možete samo vršiti podešavanje ili popravke opisane u ovom manualu. Za ostale popravke ili savjete, potražite pomoć ovlaštenog servisnog centra.
- Za siguran i pouzdan rad redovito provjeravajte i održavajte svoj visokotlačni čistač. RYOBI preporučuje pregled proizvoda svakih 6 mjeseci.
- Često provjeravajte sve matice i zavrtnje da li su dobro pritegnuti kako biste bili sigurni da je proizvod u sigurnom radnom stanju. Svaki oštećeni dio trebao bi pravilno popraviti ili zamijeniti ovlašteni servisni centar.

UPOZNAJTE SVOJ PROIZVOD

Pogledajte stranicu 145.

1. Ručka za nošenje
2. Držač za naponski kabel
3. Sklopka za UKLJUČIVANJE/ ISKLJUČIVANJE
4. Upute za uporabu
5. Vijak ručke
6. Filtar na ulazu vode
7. Priključak za ulaz vode
8. Kabel za napajanje
9. Gumb za otpuštanje crijeva
10. Priključak za izlaz vode
11. Držač pištolja s okidačem
12. Koplje s produžetkom
13. Blokada ručice s okidačem (pištolja)

14. Sklopka za pokretanje
15. Gumb za blokiranje crijeva
16. Visokotlačno crijevo
17. Vario koplje
18. Vrtno crijevo
19. Deterdžent RYOBI
20. Konektor vrtnog crijeva
21. Turbo koplje
22. Boca za deterdžent

NAPOMENA: Ako koristite deterdžent, pogledajte Sigurnosno-tehnički list materijala tog deterdženta.

SIGURNOSNI UREĐAJI

- Sklopka za UKLJUČIVANJE/ISKLJUČIVANJE
 - Prekidač za paljenje/gašenje sprečava slučajno pokretanje proizvoda.
- Blokada ručice s okidačem (pištolja)
 - Blokada ručice s okidačem zaključava okidač i sprječava slučajno otvaranje visokotlačnog mlaza.
- Preljevni ventil s tlačnim prekidačem
 - Preljevni ventil sprečava da radni tlak prijeđe dopuštenu granicu. Ako se otpusti poluga na pištolju uređaja, tlačni prekidač isključuje pumpu i visokotlačni mlaz se zaustavlja. Povlačenjem poluge ponovno se uključuje pumpa.
- Zaštita od preopterećenja
 - Toplinski senzor štiti proizvod od preopterećenja. Proizvod će automatski isključiti napajanje ako se pregreje.

SIMBOLI NA PROIZVODU



Prije rada s proizvodom morate pročitati i razumjeti sve upute. Slijedite sva upozorenja i sigurnosne upute.



Alat II razreda s dvostrukom izolacijom



Nosite zaštitu za vid i sluh.



Pod naponom



Proizvod nije pogodan za spajanje na vodoopskrbne sustave s pitkom vodom bez montaže uređaja za sprečavanje povratnog toka.



Nikada nemojte uperiti cijev prema ljudima, životinjama, tijelu stroja, dovodu električne energije ili električnim uređajima.



Nazivni tlak



Donji dio mlaznice okrenite do kraja udesno kako biste aktivirali niskotlačni način rada za rad s pjenom/deterdžentom.



Europska oznaka sukladnosti



Britanska oznaka sukladnosti



EurAsian znak konformnosti



Ukrajinska oznaka sukladnosti



Jamčena razina zvučne snage



Otpadni električni proizvodi ne treba da se odlažu s otpadom iz domaćinstva. Molimo da reciklirate gdje je to moguće. Potražite savjet od lokalnih vlasti ili prodavca kako reciklirati.

SIMBOLI U OVOM PRIRUČNIKU



Nosite zaštitne rukavice velike debljine koje se ne klišu.



Dijelovi ili pribor prodan odvojeno



Priključite u utičnicu za napajanje



Isključite iz utičnice za napajanje



Napomena



Upozorenje



OTKLANJANJE SMETNJI

PROBLEM	Mogući uzrok	RJEŠENJE
Kolebanja tlaka	Pumpa usisava zrak	Provjerite jesu li spojevi crijeva nepropusni za zrak.
	Prijavi, istrošeni ili zaglavljani ventili	Radi servisa, donesite proizvod u ovlaštenu servisnu centar.
	Istrošene brtve pumpe	Radi servisa, donesite proizvod u ovlaštenu servisnu centar.
Stroj se zaustavlja	Aktiviran je toplinski senzor	Pustite čistač da se ohladi na 15 minuta.
	Djelomično blokirana mlaznica	Očistite mlaznicu.
Proizvod pulsira	Zrak u usisnom crijevu/pumpi	Pustite proizvod da radi s otvorenim okidačem sve dok se ne uspostavi normalni radni tlak.
	Nedovoljna dobava vode	Provjerite odgovara li dobava vode zahtijevanim specifikacijama (pogledajte pločicu modela). Izbjegavajte koristiti duga, tanka crijeva.
	Djelomično blokirana mlaznica	Očistite mlaznicu.
	Blokiran filter za vodu	Očistite filter.
	Savijeno crijevo	Izravnajte crijevo.
Proizvod se pokreće, ali iz njega ne izlazi voda	Smrznuta pumpa/crijeva ili pribor	Pričekajte da se odmrznu pumpa, crijevo ili drugi dodaci uređaja.
	Nema dobave vode	Spojite priključak za usis vode na dobavu vode.
	Blokiran filter za vodu	Očistite filter.
	Blokirana mlaznica	Očistite mlaznicu.



Električni visokotlačni čistilec je zasnovan in izdelan za zagotavljanje najvišje ravni varnosti, učinkovitosti in zanesljivosti delovanja.

NAMEN UPORABE

Električni visokotlačni čistilec je predviden samo za uporabo na prostem. Zaradi varnosti je zahtevano dvoročno krmiljenje naprave.

Izdelek je namenjen za domačo uporabo. Predviden je za čiščenje strojev, vozil, stavb, tal, orodja, fasad, teras, talnih oblog in betonskih poti, s katerih odstrani trdovratno umazanijo s pomočjo čiste vode z dodatnim čistilnim sredstvom ali brez njega.

Izdelek je treba uporabljati v dobro osvetljenem okolju.

Za druge namene ga ne uporabljajte.

⚠ OPOZORILO! Izdelek je zasnovan za uporabo z nevtralnimi čistilnimi sredstvom, ki ga dobavi ali priporoči proizvajalec. Uporaba drugih čistilnih sredstev ali kemikalij lahko škodljivo vpliva na varnost izdelka.

SPLOŠNA VARNOSTNA OPOZORILA

⚠ OPOZORILO! Preberite vsa varnostna opozorila in navodila. Zaradi neupoštevanja opozorila in navodil lahko pride do električnega udara, požara in/ali resnih poškodb.

- Izdelek ni namenjen za uporabo s strani otrok ali oseb z zmanjšanimi fizičnimi, čutnimi ali duševnimi sposobnostmi oziroma nezadostnimi izkušnjami in znanjem. Otroke nenehno primerno nadzorujte, da se ne bodo igrali z napravo.
- Med uporabo izdelka nosite popolno osebno zaščitno opremo, kot so škornji, varnostne rokavice, varnostne čelade z vizirjem in oprema za zaščito sluha. Uporabljajte izključno vizirje, odporne na močne udarce, z zaščito pred škropljenjem tekočin.

⚠ OPOZORILO! Ne uporabljajte izdelka, če so v delovnem območju druge osebe, ki ne nosijo zaščitnih oblačil.

- Za zmanjšanje nevarnosti poškodb naj se otroci in obiskovalci ne zadržujejo v bližini. Vsi opazovalci morajo nositi zaščitna očala in stati na varnostni razdalji od delovnega območja.
- Prepričajte se, da varnostne naprave dobro delujejo. Pred vsako uporabo se prepričajte, da vse varnostne naprave pravilno delujejo.

- Če so poškodovani pomembni deli, kot so varnostne naprave, visokotlačne cevi ali sprožilna pištola, izdelka ne uporabljajte.
- Pri odpiranju sprožilca bodite previdni. Ročaj sprožilca trdno držite z obema rokama, da se izognete poškodbam, ki bi lahko nastale ob povratnem udarcu ročaja sprožilca.

⚠ OPOZORILO! Med uporabo visokotlačnih čistilcev lahko nastanejo aerosoli. Vdihavanje aerosolov lahko škoduje zdravju. Glede na vrsto dela lahko za visokotlačno čiščenje uporabite zaščitene šobe, da zmanjšate izpuste vodnih aerosolov. Vendar uporaba teh naprav ni možna pri vseh vrstah dela. Če uporaba zaščitene šobe za zaščito pred aerosoli ni možna, morate glede na okolje, v katerem poteka čiščenje, morda uporabiti dihalno masko razreda FFP 2 ali enakovredno.

- Če izdelek pustite nenadzorovan, ga vedno ustavite.
- Visokotlačni curek je lahko ob napačni uporabi nevaren. Curka ne usmerjajte v osebe, električno opremo pod napetostjo ali sam izdelek.
- Za preprečitev nevarnosti eksplozije ne škropite vnetljivih tekočin.
- Ne čistite oblačil ali obuval tako, da bi curek usmerili vase ali v druge osebe.
- Izdelka ne uporabljajte za čiščenje elektronskih naprav, oblačil ali obutve.
- Visokotlačne gibke cevi, pritrdila in spojke so pomembne za varnost izdelka. Uporabljajte izključno gibke cevi, pritrdila in spojke, ki jih priporoča proizvajalec.
- Daljša uporaba orodja lahko privede do poškodb ali pa so poškodbe lahko hujše. Kadar orodje uporabljate dalj časa, si večkrat vzemite odmor.

⚠ OPOZORILO: Izdelka se ne sme uporabljati na vodovodu za pitno vodo brez nameščene zapore povratnega toka, ki je v skladu s standardom EN 12729, tipom BA. Voda, ki teče skozi zaporo povratnega toka, ni pitna. Ob priključitvi izdelka na vodovod vedno upoštevajte predpise lokalnega vodovodnega podjetja.

VARNOSTNA OPOZORILA GLEDE ELEKTRIKE

- Vtiči električnih orodij se morajo prilegati vtičnicam. Vtičnik nikoli in na noben način ne smete spreminjati. Nespremenjeni vtiči in ustrezne vtičnice zmanjšajo tveganje električnega udara.

- Če je poškodovan napajalni kabel ali drugi pomembni deli, kot so varnostne naprave, izdelka ne uporabljajte.
 - Pred vsako uporabo preverite, ali sta napajalni kabel in električni podaljšek poškodovana. Poškodovan napajalni kabel ali podaljšek mora zamenjati proizvajalec, njegov servisni agent ali podobno usposobljena oseba, da se prepreči nevarnost.
 - Pred vsako uporabo preverite, če je napajalni kabel poškodovan. Če obstajajo znaki poškodb, mora kabel zamenjati usposobljena oseba v pooblaščenih servisnih službi, da se izognete tveganjem.
 - Kabel držite proč od vročine, olja ali ostrih robov.
 - Električnega vtiča in vtičnice se nikoli ne dotikajte z mokrimi rokami.
 - Neustrezni električni podaljški so lahko nevarni. Če uporabljate električni podaljšek, mora biti primeren za zunanjo uporabo, priključek pa mora biti suh in dvignjen od tal. Uporabite podaljšek na kolutu, katerega vtičnica je vsaj 60 mm nad tlemi.
 - Električni priključek mora izdelati usposobljen električar in mora biti v skladu z IEC 60364-1. Priporočamo, da električno napajanje izdelka vsebuje napravo za preostali tok, ki prekine napajanje, če uhajajoči tok na ozemljitev preseže 30 mA za 30 ms, ali napravo, ki zaščiti ozemljitveni tokokrog.
- Izdelka ne uporabljajte pri temperaturah, nižjih od 0 °C.
 - V izdelku ne uporabljajte kislin, alkalnih sredstev, topil, vnetljivega materiala, belil ali industrijskih raztopin. Ti izdelki lahko povzročijo telesne poškodbe uporabnika in nepopravljive poškodbe izdelka.
 - Izdelek vedno uporabljajte na ravni površini.
- ⚠ OPOZORILO!** Visokotlačni curek je lahko ob napačni uporabi nevaren. Curka se ne sme usmerjati v osebe, živali, električne naprave ali sam izdelek.
- Ročaj sprožilca trdno držite z obema rokama. Pričakujte, da se bo ob potegu sprožilca njegov ročaj premaknil zaradi povratne sile. Če tega ne pričakujete, lahko izgubite nadzor in poškodujete sebe ter druge.
 - Pred vklopom izdelka poskrbite, da iz gibke cevi in črpalke izpustite zrak. Zrak iz gibke cevi in črpalke odstranite tako, da priključite vodo na črpalko z uporabo vrtno cevi, priključite ročaj sprožilca na črpalko z uporabo visokotlačne gibke cevi, deaktivirate zaklep ročaja sprožilca in držite sprožilec, dokler ne dosežete enakomernega toka.
 - Bodite previdni, da vam ne spodrsne in ne padete.
 - Pazite na ravnotežje in ne pretiravajte. Nesiahajte priliš daleko. Pretiravanje lahko povzroči izgubo ravnotežja.
 - Uporabljajte samo dodatno opremo, ki je odobrena s strani proizvajalca. Uporaba neprimernih dodatkov lahko privede do poškodb.
 - Izdelka nikoli ne pustite delovati brez nadzora. Izdelek izklopite. Počakajte ob izdelku, dokler se povsem ne ustavi.
 - Seznanite se z upravljanjem. Naučite se, kako ustavite izdelek in hitro sprostite tlak.
 - Bodite pozorni in imejte nadzor. Bodite pozorni kaj delate in uporabljajte občutek.
 - Ne uporabljajte izdelka, če ste utrujeni, bolni ali pod vplivom drog, alkohola ali zdravil. Trenutek nepazljivosti med uporabo izdelka lahko privede do resnih telesnih poškodb.
 - Ne uporabljajte izdelka, če se ga s stikalom ne da vklopiti ali izklopiti. Izdelek, ki ga ni mogoče upravljati s stikalom, je nevaren in ga je potrebno popraviti.

DODATNA VARNOSTNA OPOZORILO

- Predpisi nekaterih regij omejujejo uporabo tega izdelka. Za nasvet se obrnite na lokalne oblasti.
- Pred vsako uporabo preverite, ali je izdelek poškodovan. Poškodovano visokotlačno gibko cev je treba takoj zamenjati. Prepričajte se, da so vse povezave, kot sta visokotlačna gibka cev in šoba, trdne. Gibko cev pravilno odvijte, da preprečite pregibanje in nastajanje zank.
- Otrokom in neusposobljenim osebam ne dovolite, da bi uporabljali ta izdelek.
- Pred čiščenjem zaprite vrata in okna. Iz območja, ki ga želite očistiti, odstranite grušč, igrače, zunanje pohištvo ali druge predmete, ki bi lahko povzročili nevarnost.
- Nikoli ne dvigujte ali prenašajte izdelka med delovanjem motorja.

- Med čiščenjem vozil vzdržujte najmanjšo razdaljo 30 cm. Visokotlačni curek lahko poškoduje ali preluknja pnevmatike vozil in/ali ventile pnevmatik.
- Uporabite vrtno cev, dolgo največ 15 m in najmanjšega premera 18 mm (3/4 in.)
- Pred vsako uporabo poskrbite, da je dodatek varno pritrjen na sprožilno pištolo.

ZAŠČITA PRED PREOBREMENITVIJO

Izdelek ima pripravo za zaščito pred preobremenitvijo, če se pregreje ali pride do tokovnega viška, ki samodejno izklopi tok v izdelku. Za nadaljevanje delovanja, morate napravo odklopiti z električnega omrežja, počakati 15 minut in jo nato ponovno priključiti.

TRANSPORT IN SHRANJEVANJE

⚠ POZOR! Pri izbiri mesta shranjevanja izdelka in med njegovim prevozom upoštevajte njegovo težo, da preprečite nesreče ali poškodbe.

- Ustavite izdelek, izklopite ga iz napajanja in počakajte, da se ohladi. Izdelek pred shranjevanjem ali prevozom izklopite iz vodovodnega priključka. Izdelek naj bo vedno v pokončnem položaju.
- Očistite vse tujke z izdelka. Shranite jo na suhem in dobro prezračenem mestu, ki ni na dosegu otrok. Shranjujte proč od korozivnih sredstev, kot so vrtno kemikalije in soli za topljenje ledu. Izdelka ne shranjujte na prostem.
- Pred shranjevanjem izdelka odstranite vodo iz vseh cevi in črpalke ter izpraznite rezervoar za čistilno sredstvo.
- Za transport zavarujte izdelek pred premiki ali padci, da preprečite poškodbe oseb ali izdelka.
- Izdelek shranjujte izključno v zaprtih prostorih. Ob shranjevanju izdelka pri temperaturah, nižjih od 0° C, se izdelek poškoduje.

VZDRŽEVANJE

- Uporabljajte le originalne rezervne dele in dodatke, ki jih priporoča proizvajalec. V nasprotnem primeru naprava lahko slabo deluje, povzroči poškodbe, garancija pa ne velja več.

- Servisiranje zahteva posebno pozornost in znanje in naj jo zato opravlja samo izurjeni servisni tehnik. Izdelek naj servisirajo izključno v pooblaščenem servisnem centru.
- Izklopite izdelek in iztahnite vtič iz električne vtičnice. Izdelek izklopite iz vodovodnega priključka. Počakajte, da se izdelek ohladi:
 - preden opravite servis
 - preden odstranite zamašek
 - pred preverjanjem in čiščenjem izdelka ali delom na njem,
- Opravite lahko samo tukaj navedene prilagoditve ali popravila. Za druga popravila ali nasvete se posvetujte s pooblaščenim storitvenim centrom.
- Visokotlačni čistilec redno pregledujte in vzdržujte, da zagotovite varno delovanje. Podjetje RYOBI priporoča, da izdelek pregledate vsakih 6 mesecev.
- Pogosto preverjajte, ali so vse matice in vijaki dobro priviti in tako zagotovite varno delovno stanje izdelka. Vsak poškodovani del mora ustrezno popraviti ali zamenjati pooblaščen servisni center.

SPOZNAJTE SVOJ IZDELEK

Glejte stran 145

1. Ročaj za prenašanje
2. Držalo napajalnega kabla
3. Stikalo za vklop/izklop
4. Uporabniški priročnik
5. Vijak ročaja
6. Filter vodnega dotoka
7. Priključek vodnega dotoka
8. Napajalni kabel
9. Gumb za sprostitev gumijaste cevi
10. Priključek vodnega odtoka
11. Držalo sprožilne pištole
12. Podaljševalna šoba
13. Zaklep sprožilnega ročaja
14. Sprožilec
15. Gumb za zaklepanje gumijaste cevi
16. Visokotlačna gibka cev
17. Nastavljiva krtača
18. Vrtna cev
19. Detergent RYOBI
20. Priključek za vrtno cev
21. Turbo šoba
22. Posoda z detergentom

OPOMBA: Če uporabljate čistilno sredstvo, glejte materialni varnostni podatkovni list čistilnega sredstva.

VARNOSTNE NAPRAVE

- Stikalo za vklop/izklop
 - Stikalo za vklop/izklop preprečuje nenamerno delovanje izdelka.
- Zaklep sprožilnega ročaja
 - Zaklep sprožilnega ročaja zaklene sprožilec in prepreči nenamerno odpiranje visokotlačnega curka.
- Varnostni ventil s tlačnim stikalom
 - Varnostni ventil preprečuje prekoračitev dopustnega delovnega tlaka. Ob sprostitvi ročice na sprožilni pištoli tlačno stikalo izklopi črpalko in ustavi visokotlačni curek. S potegom ročice se črpalka znova vklopi.
- Zaščita pred preobremenitvijo
 - Termalni senzor varuje izdelek pred preobremenitvijo. Če se izdelek pregreje, se napajanje samodejno prekine.

SIMBOLI NA IZDELKU



Pred uporabo izdelka preberite in razumite vsa navodila. Upoštevajte vsa opozorila in varnostna navodila.



Orodje razreda II, dvojna izolacija



Nosite zaščito za oči in ušesa.



Moč

Izdelek ni primeren za priključitev na vodovod za pitno vodo brez naprave za preprečevanje povratnega toka.



Škropilne palice nikoli ne usmerjajte v osebe, živali, stroje, napajalne naprave ali električne naprave.



Nazivni tlak



Za aktiviranje načina nizkega tlaka za penjenje/čistilno sredstvo spodnji del šobe zavrtite povsem v desno.



Evropski znak skladnosti



Britanski znak skladnosti



EurAsian oznaka o skladnosti



Ukrajinski znak skladnosti



Zajamčena raven zvočne moči



Odpadne električne izdelke odlagajte skupaj z ostalimi gospodinjskimi odpadki. Reciklažo opravljajte na predpisanih mestih. Za reciklažni nasvet se obrnite na lokalne oblasti.

SIMBOLI V TEM PRIROČNIKU



Nadenite si nedrseče zaščitne rokavice za težka dela.



Deli ali dodatki so na prodaj ločeno



Priključite v vtičnico



Izključite iz vtičnice



Opomba



Opozorilo

ODPRAVLJANJE NAPAK

Problem	Možen vzrok	Rešitev
Nihanje tlaka.	Črpalka sesa zrak.	Preverite, ali gibke cevi in priključki tesnijo.
	Umazani, obrabljeni ali zataktnjeni ventili	Za servisiranje odnesite izdelek na pooblaščen servis.
	Obrabljena tesnila črpalke	Za servisiranje odnesite izdelek na pooblaščen servis.
Motor se ustavi.	Aktiviral se je temperaturni senzor.	Počakajte 15 minut, da se čistilec ohladi.
	Šoba je delno zamašena.	Očistite šobo.
Izdelek utripa	Zrak v dovodni gibki cevi/črpalki.	Izdelek pustite delovati pri odprtem sprožilcu, dokler se znova ne vzpostavi delovni tlak.
	Nezadostna oskrba z vodo.	Preverite, ali dovod vode izpolnjuje zahtevane tehnične podatke (glejte ploščico modela). Ne uporabljajte dolgih, tankih gibkih cevi.
	Šoba je delno zamašena.	Očistite šobo.
	Zamašen vodni filter.	Očistite filter.
	Zavozlana gibka cev.	Zravnajte gibko cev.
Izdelek se zažene, vendar ni vodnega curka	Zamrznjena črpalka/cevi ali dodatki	Počakajte, da se črpalka, gibke cevi ali drugi dodatki odtalijo.
	Ni oskrbe z vodo.	Priklopite priključek za dovod vode na oskrbo z vodo.
	Zamašen vodni filter.	Očistite filter.
	Zamašena šoba.	Očistite šobo.

Bezpečnosť, efektívnosť a spoľahlivosť boli prvoradé pri navrhovaní vášho elektrického vysokotlakového čističa.

ÚČEL POUŽITIA

Elektrický vysokotlakový čistič je určený len na vonkajšie použitie. Z bezpečnostných dôvodov musí byť krovínorez náležite ovládaný pomocou oboch rúk.

Tento produkt je určený na domáce použitie. Je určený na čistenie strojov, vozidiel, budov, podláh, náradia, fasád, terás, betónových podláh a chodníkov odstraňovaním odolných nečistôt pomocou čistej vody alebo vody s čistiacim prostriedkom.

Tento výrobok sa musí používať na dobre osvetlených miestach.

Nepoužívajte na žiadne iné účely.

VAROVANIE! Tento výrobok je určený na použitie s neutrálnym čistiacim prostriedkom, dodaným alebo odporučeným výrobcom. Použitie iných čistiacich prostriedkov alebo chemikálií môže mať nepriaznivý vplyv na bezpečnosť výrobku.

VŠEOBECNÉ BEZPEČNOSTNÉ VÝSTRAHY

VAROVANIE! **Prečítajte si všetky bezpečnostné výstrahy a pokyny.** Pri nedodržaní týchto výstrah a pokynov môže dôjsť k úrazu elektrickým prúdom, požiaru a/alebo závažnému poraneniu.

- Výrobok nie je určený na to, aby ho používali deti alebo osoby so zníženými fyzickými, zmyslovými alebo duševnými schopnosťami alebo s chýbajúcimi skúsenosťami a vedomosťami. Deti musia byť pod primeraným dozorom, aby sa nemohli s produktom hrať.
- Pri používaní výrobku noste kompletné osobné ochranné prostriedky, ako sú topánky, ochranné rukavice, bezpečnostné prilby s chráničom a ochranu sluchu. Používajte ochranný štít, odolný proti odstrekujúcej kvapaline.

VAROVANIE! Nepoužívajte výrobok v dosahu osôb, ktoré nemajú oblečený ochranný odev.

- Aby ste znížili riziko úrazu, udržiavajte deti a prízerajúce sa osoby v bezpečnej vzdialenosti. Všetky iné osoby by mali mať ochranné okuliare a stáť v dostatočnej vzdialenosti od pracoviska.

- Skontrolujte, že všetky bezpečnostné zariadenia sú v dobrom prevádzkovom stave. Pred každým použitím sa uistite, že všetky bezpečnostné zariadenia pracujú správne.

- Nepoužívajte výrobok, ak sú poškodené jeho dôležité súčasti, ako sú bezpečnostné zariadenia, vysokotlakové hadice, alebo striekacia pištoľ.

- Buďte opatrní pri otváraní spúšťača. Držte rukovať spúšťača pevne obidvomi rukami, aby ste sa vyhli zraneniu pri spätnom ráze rukoväte spúšťača.

VAROVANIE! Pri použití vysokotlakových čističov sa môžu vytvárať aerosóly. Vdychovanie aerosólov môže byť nebezpečné pre zdravie. V závislosti od použitia, je možné na tlakové čistenie použiť zakryté trysky, ktoré znižujú emisiu vodných aerosólov. Nie všetky aplikácie však umožňujú použitie takéhoto zariadenia. V prípade, že na ochranu proti aerosólom nie je možné použiť zakryté trysky, bude potrebné použiť respiračnú masku triedy FFP 2 alebo jej ekvivalent, v závislosti od čistoty prostredia.

- Nikdy nenechávajte výrobok zapnutý bez dozoru, vždy ho vypnite.

- Vysokotlakový prúd je nebezpečný pri nesprávnom používaní. Prúd vody nesmerujte na osoby, elektrické zariadenia pod napätím alebo na samotné zariadenie.

- Aby ste zabránili nebezpečenstvu výbuchu, nikdy nerozstrekuje horľavé kvapaliny.

- Prúd nesmerujte na seba ani na iné osoby, aby ste očistili odev alebo obuv.

- Nepoužívajte výrobok na čistenie elektrických zariadení, oblečenia alebo obuvi.

- Vysokotlakové hadice, armatúry a spojky majú veľký význam z hľadiska bezpečnosti výrobku. Používajte výhradne vysokotlakové hadice, armatúry a spojky odporúčané výrobcom.

- Pri dlhodobom alebo zvýšenom používaní môže dôjsť k zraneniam. Pri používaní nástroja príliš dlhé obdobia si vždy doprajte pravidelné prestávky.

UPOZORNENIE Tento výrobok nesmie byť pripojený k prívodu pitnej vody bez nainštalovaného spätného ventilu, ktorý zodpovedá norme EN 12729 typ BA. Voda, ktorá pretečie spätným ventilom, sa už viac nepovažuje za pitnú vodu. Vždy dodržiavajte

predpisy miestnej vodárenskej spoločnosti pri pripojovaní výrobku do vodovodnej siete.

ELEKTRICKÉ BEZPEČNOSTNÉ VÝSTRAHY

- Elektrické zástrčky musia zodpovedať zásuvke. Zástrčku nikdy žiadnym spôsobom neupravujte. Použitím neupravovaných zástrčiek a zodpovedajúcich zásuviek sa znižuje riziko úrazu elektrickým prúdom.
- Nepoužívajte tento výrobok, ak je poškodený napájací kábel alebo iné dôležité súčasti, ako sú bezpečnostné zariadenia.
- Pred každým použitím skontrolujte, či nie je poškodený napájací alebo predlžovací kábel. Ak dôjde k poškodeniu sieťového alebo predlžovacieho kábla, musí ho vymeniť výrobca, jeho servisný zástupca alebo podobne kvalifikovaná osoba, aby sa predišlo nebezpečenstvu.
- Pred použitím skontrolujte napájací kábel, či nie je poškodený. Pri akýchkoľvek známkach poškodenia ich musí vymeniť kvalifikovaná osoba v autorizovanom servisnom centre, aby nevzniklo riziko.
- Napájací kábel nedávajte do blízkosti tepla, oleja alebo ostrých okrajov.
- Nikdy sa nedotýkajte sieťovej zástrčky a zásuvky mokrymi rukami.
- Nevhodné predlžovacie káble môžu byť nebezpečné. V prípade použitia predlžovacieho kábla, musí byť tento vhodný na vonkajšie použitie a pripojenie sa musí nachádzať na suchom mieste mimo podlahy. Používajte navíjací bubon, bola zásuvka umiestnená minimálne 60 mm nad zemou.
- Pripojenie k zdroju napájania musí realizovať kvalifikovaný elektrotechnik a musí byť dodržaná norma IEC 60364-1. Odporúčame, aby zdroj napájania výrobku elektrickou energiou obsahoval zariadenie na zvyškový prúd, ktoré preruší napájanie, ak zvodový prúd smerom k zemi prekročí 30 mA počas 30 ms, alebo zariadenie, ktorým sa zrealizuje uzemňovací obvod.

ĎALŠIE BEZPEČNOSTNÉ VÝSTRAHY

- Niektoré regióny majú nariadenia, ktoré obmedzujú použitie produktu. Poradte sa s miestnym úradom.
- Pred každým použitím skontrolujte výrobok, či nie je poškodený. Poškodená vysokotlaková

hadica musí byť okamžite vymenená. Zaiste bezpečnosť všetkých pripojení, ako sú vysokotlaková hadica a dýza. Odmotávajte hadicu správne, aby nedochádzalo k jej skrúteniu alebo zalomeniu.

- Nedovoľte tento produkt používať deťom a nezaškoleným osobám.
- Pred spustením akéhokoľvek čistenia zatvorte dvere a okná. Odstráňte z miesta, ktoré sa chytáte vyčistiť úlomky, hračky, záhradný nábytok alebo iné predmety, ktoré by mohli predstavovať nebezpečenstvo.
- Produkt nikdy nedvíhajte ani neprenášajte, keď motor beží.
- Nepoužívajte výrobok pri teplotách nižších ako 0 °C.
- Nepoužívajte v tomto výrobku kyseliny, zásady, rozpúšťadlá, horľavé materiály, bielidlá, alebo priemyselné roztoky. Tieto látky môžu spôsobiť telesné zranenie obsluhy a nezvratné škody na zariadení.
- Vždy používajte výrobok na rovnom povrchu.

⚠ VAROVANIE! Vysokotlakový prúd vody môže byť pri nebezpečný, ak sa používa nesprávne. Prúd vody nesmie byť nasmerovaný na osoby, zvieratá, elektrické zariadenia a na výrobok samotný.

- Držte rukoväť spúšťača pevne s obidvomi rukami. Očakávajte spätný pohyb rukoväte spúšťača pri stlačení spúšťača, ako dôsledok reakčných síl. Neočakávaný spätný pohyb môže spôsobiť stratu kontroly a zranenie vás alebo iných osôb.
- Pred zapnutím výrobku preverte, či je vzduch v hadici a čerpadle uvoľnený. Ak chcete odstrániť vzduchu z hadice a čerpadla, pomocou záhradnej hadice pripojte prívod vody k čerpadlu, pomocou vysokotlakovej hadice pripojte rúčku s vypínačom k čerpadlu, uvoľnite poistku na rúčke s vypínačom a vypínač stlačte, až kým nedosiahnete rovnomerný prúd.
- Dávajte pozor, aby ste sa nepošmykli alebo nespadli.
- Udržujte bezpečný postoj a rovnováhu. Nepreceňujte sa. Preceňovanie sa môže spôsobiť stratu rovnováhy.
- Používajte výhradne príslušenstvo schválené výrobcom. Použitie nesprávneho príslušenstva môže zapríčiniť poranenie.

- Spustený výrobok nikdy nenechávajte bežať bez dozoru. Vypnite produkt. Výrobok až do úplného zastavenia neopúšťajte.
- Zoznámte sa s ovládacími prvkami. Naučte sa, ako zastaviť výrobok a rýchlo vypustiť tlak.
- Bud'te ostražití a vykonávajte kontrolu. Sledujte, čo robíte a používajte zdravý rozum.
- Výrobok nepoužívajte, ak ste unavení, chorí alebo pod vplyvom drog, alkoholu či liekov. Chvíľa nepozornosti počas obsluhy produktu môže spôsobiť závažné osobné poranenie.
- Nepoužívajte zariadenie, ak ho spínač nezapína a nevypína. Produkt, ktorý sa nedá ovládať spínačom, je nebezpečný a musí sa dať opraviť.
- Pri čistení vozidla dodržiavajte minimálnu vzdialenosť 30 cm. Vysokotlakový prúd vody môže poškodiť alebo spôsobiť popraskanie pneumatík vozidla alebo poškodiť ventily na pneumatikách.
- Používajte záhradnú hadicu maximálnej dĺžky 15 m s minimálnym priemerom 18 mm (3/4 palca.)
- Pred každým použitím skontrolujte, že príslušenstvo je bezpečne nástroji so spúšťačom.
- Odstráňte zo zariadenia všetky cudzie materiály. Odložte ho na suché a dobre vetrané miesto, na ktoré nemajú prístup deti. Nedávajte zariadenie do blízkosti korózných činidiel, ako sú záhradné chemikálie a rozmrazovacie soli. Výrobok neuchovávajte vonku.
- Odstráňte vodu zo všetkých hadíc a čerpadla a vyprázdňte nádržku na čistiaci prostriedok pred uskladnením výrobku.
- Pri preprave zaistite produkt pred pohybom alebo pádom, aby nedošlo k poraneniu osôb alebo poškodeniu produktu.
- Výrobok skladujte len vnútri. Skladovaním pri teplote pod 0°C sa výrobok poškodí.

ÚDRŽBA

- Používajte len originálne náhradné diely, príslušenstvo a nástavce výrobcu. V opačnom prípade môže dôjsť k možnému poraneniu, nedostatočnému výkonu a strate platnosti záruky.
- Údržba vyžaduje extrémnu starostlivosť a znalosť, a musí byť prevádzaná výhradne v autorizovanom servise. Servis výrobku zverte len autorizovanému servisnému stredisku.
- Vypnite výrobok a odpojte od zdroja napájania. Odpojte výrobok od prívodu vody. Nechajte výrobok vychladnúť.
 - pred vykonávaním servisu
 - pred odstránením zablokovania
 - pred kontrolou, čistením alebo prácou na zariadení
- Môžete vykonávať len úpravy alebo opravy popísané v tejto príručke. Pri ostatných opravách alebo ak potrebujete radu, vyhľadajte pomoc v autorizovanom servisnom centre.
- Pravidelne kontrolujte a vykonávajte údržbu vysokotlakového čističa pre jeho bezpečnú prevádzku. Spoločnosť RYOBI odporúča vykonávať kontrolu výrobku každých 6 mesiacov.
- Skontrolujte všetky skrutky, matice v častých intervaloch či sú riadne utiahnuté, aby sa zaistila bezpečná prevádzka produktu. Akýkoľvek poškodený diel sa musí náležite opraviť alebo vymeniť v autorizovanom servisnom centre.

OCHRANA PROTI PREŤAŽENIU

Tento produkt má zariadenie na ochranu proti preťaženiu, ktoré sa aktivuje pri prehriatí alebo prúdovej špičke a automaticky vypne napájanie produktu. Prevádzku obnovíte tak, že odpojíte produkt z elektrickej siete, počkáte asi 15 minút a znova ho zapojíte.

PREPRAVA A SKLADOVANIE

⚠ VÝSTRAHA! Pri výbere miesta skladovania a počas prepravy berte do úvahy hmotnosť výrobku, aby sa tak zabránilo vzniku nehôd alebo zraneniam.

- Zastavte výrobok, odpojte ho od zdroja napájania a nechajte výrobok vychladnúť. Pred uskladnením alebo prepravou odpojte výrobok od prívodu vody. Nikdy neukladajte výrobok do inej ako vzpriamenej polohy.

OBOZNÁMTE SA S VAŠIM PRODUKTOM

Pozrite stranu 145.

1. Rukoväť na nosenie
2. Držiak sieťového kábla
3. Spínač na zapnutie/vypnutie
4. Návod na obsluhu
5. Skrutka rúčky
6. Filter prívodu vody
7. Otvor prívodu vody
8. Napájací kábel
9. Tlačidlo na uvoľnenie hadice
10. Otvor odtoku vody
11. Držiak spúšťača pištole
12. Predlžovacia tyčka
13. Poistka vypínača na rukoväti
14. Spínač
15. Blokovacie tlačidlo hadice
16. Vysokotlaková hadica
17. Vario tyčka
18. Záhradná hadica
19. Detergent RYOBI
20. Konektor záhradnej hadice
21. Turbo tyčka
22. Fľaša na detergent

POZNÁMKA: Pri používaní čistiaceho prípravku si pozrite kartu bezpečnostných údajov čistiaceho prípravku.

BEZPEČNOSTNÉ ZARIADENIA

- Spínač na zapnutie/vypnutie
 - Hlavný vypínač zabraňuje náhodnému spusteniu výrobku.
- Poistka vypínača na rukoväti
 - Poistka vypínača na rukoväti zaisťuje vypínač a zabraňuje náhodnému otvoreniu vysokotlakového prúdu vody.
- Prepúšťací ventil s tlakovým spínačom
 - Prepúšťací ventil zabraňuje prekročeniu povoleného prevádzkového tlaku. Ak uvoľníte páčku na striekacej pištoľi, tlakový spínač vypne čerpadlo a vysokotlakový prúd vody sa zastaví. Po potiahnutí páčky sa čerpadlo znova spustí.
- Ochrana proti preťaženiu
 - Tepelný snímač chráni výrobok pred preťažením. Pri preťažení sa výrobok automaticky vypne.

SYMBOLY NA PRODUKTE



Pred používaním výrobku si prečítajte a pochopte všetky pokyny. Dodržujte všetky výstrahy a bezpečnostné pokyny.



Nástroj triedy II, dvojité izolácia



Používajte chrániče zraku a sluchu.



Zapnuté



Výrobok nie je vhodný na pripojenie k prívodu pitnej vody bez zariadenia na zabránenie spätného toku.



Nikdy nesmerujte striekacou tyčou na osoby, zvieratá, karosériu stroja, zdroj elektrickej energie ani žiadne elektrické spotrebiče.



Menovitý tlak



Otočením spodnej časti dýzy na doraz doprava sa aktivuje nízkotlakový režim na penenie/dávkovanie detergentu.



Európske označenie zhody



Britské označenie zhody



Euroázijská značka zhody



Ukrajinské označenie zhody



Garantovaná úroveň hluku



Opotrebované elektrické zariadenia by ste nemali odhadzovať do domového odpadu. Prosíme o recykláciu ak je možné. Kontaktujte miestne úrady, alebo predajcu pre viac informácií ohľadom ekologického spracovania.

SYMBOLY V TOMTO NÁVODE



Používajte protišmykové odolné ochranné rukavice.



Diely alebo príslušenstvo predávané samostatne



Pripojte do elektrickej zásuvky



Odpojte z elektrickej zásuvky



Poznámka



Varovanie

RIEŠENIE PROBLÉMOV		
Problém	Možná príčina	Riešenie
Kolísavý tlak	Čerpadlo nasáva vzduch	Skontrolujte vzduchotesnosť hadíc a pripojení.
	Znečistené, opotrebované alebo zaseknuté ventily	Ak chcete vykonať servis, prineste produkt do autorizovaného servisného centra.
	Opotrebované tesnenia čerpadla	Ak chcete vykonať servis, prineste produkt do autorizovaného servisného centra.
Zariadenie sa zastaví	Je aktivovaný tepelný snímač	Čistič nechajte 15 minút chladnúť.
	Dýza je čiastočne zablokovaná	Dýzu vyčistite.
Výrobok pulzuje	Vzduch v prívodnej hadici/čerpadle	Výrobok nechajte s otvoreným vypínačom bežať, až kým sa neobnoví štandardný prevádzkový tlak.
	Nepostačujúci prívod vody zo siete	Skontrolujte, že prívod vody zodpovedá požadovaným parametrom (pozrite si výrobný štítok). Vyhnite sa používaniu dlhých tenkých hadíc.
	Dýza je čiastočne zablokovaná	Dýzu vyčistite.
	Vodný filter je zanesený	Vyčistite filter.
	Na hadici je slučka	Hadicu narovnajzte.
Výrobok sa spustí, no nevychádza z neho voda	Zamrznuté čerpadlo/hadice alebo príslušenstvo	Počkajte na roztopenie čerpadla, hadíc či iného príslušenstva.
	Žiadny prívod vody	Otvor prívodu vody pripojte k zdroju vody.
	Vodný filter je zanesený	Vyčistite filter.
	Dýza je zablokovaná	Dýzu vyčistite.

Безопасността, производителността и надеждността са аспектите, на които е отделен най-голям приоритет при проектирането на вашата водоструйка.

ПРЕДНАЗНАЧЕНИЕ

Електрическата водоструйка е предназначена за употреба само на открито. От съображения за сигурност, продуктът трябва да бъде управляван адекватно чрез работа с двете ръце.

Този продукт е предназначен за домашна или битова употреба. Тя е предназначена за почистване на машини, превозни средства, сгради, подове, инструменти, фасади, тераси и бетонни пътеки чрез отстраняване на упорити замърсявания с помощта на чиста вода, с или без почистващ разтвор.

Продуктът трябва да се използва на добре осветени места.

Не го използвайте за никакви други цели.

⚠ ПРЕДУПРЕЖДЕНИЕ! Продуктът е предназначен за употреба с доставения в комплекта почистващ препарат или с друг, който също е препоръчан от производителя. Използването на други почистващи препарати или химикали може да повлияе неблагоприятно на безопасността на продукта.

ОБЩИ ПРЕДУПРЕЖДЕНИЯ ЗА БЕЗОПАСНОСТ

⚠ ПРЕДУПРЕЖДЕНИЕ! Прочетете всички предупреждения относно безопасността и всички инструкции. Неспазването на предупрежденията и инструкциите може да доведе до токов удар, пожар и/или сериозни наранявания.

- Продуктът не е предназначен за използване от деца или лица с намалени физически, сетивни или умствени способности или от лица, които нямат необходимите опит и познания. Децата трябва да бъдат внимателно надзиравани, за да се гарантира, че не си играят с продукта.
- Когато работите с продукта, носете пълна лична защитна екипировка, като напр. ботуши, защитни ръкавици, защитни каски с визьор и антители. Използвайте визьори против силни удари само със защита против разливане на течности.

⚠ ПРЕДУПРЕЖДЕНИЕ! Не използвайте продукта в близост до други хора, освен ако те не носят защитно облекло.

- За да намалите риска от наранявания, дръжте децата и посетителите надалеч. Всички странични наблюдатели трябва да носят предпазни очила и да стоят на безопасно разстояние от работното пространство.
- Уверете се, че обезопасителните устройства са в добро работно състояние. Преди всяка употреба се уверете, че всички защитни устройства работят правилно.
- Не използвайте продукта, ако има повредени важни части, напр. защитните устройства, високонапорните маркучи и пистолета.
- Внимавайте, когато работите със спусъка. Дръжте ръкохватката със спусъка здраво с две ръце, за да избегнете нараняване при нейния откат.

⚠ ПРЕДУПРЕЖДЕНИЕ! При употреба на водоструйки може да се създадат аерозоли. Вдишването на аерозоли може да бъде опасно за здравето. В зависимост от приложението, предпазните дюзи могат да се използват за почистване с високо налягане, което ще намали емисиите на водосъдържащи аерозоли. Въпреки това не всички приложения позволяват употребата на такова устройство. Ако предпазните дюзи не са приложими за защитата от аерозоли, може да бъде необходима защитна маска от клас FFP 2 или еквивалентна, в зависимост от средата за почистване.

- Винаги спирайте продукта, когато го оставяте без надзор.
- Струята под високо налягане е опасна, ако се не използва правилно. Не насочвайте струята към хора, електрическо оборудване под напрежение или към самия продукт.
- За да избегнете риск от взрив, не пръскайте запалими течности.
- Не насочвайте струята срещу себе си или други хора, за да чистите дрехи или обувки.
- Не използвайте продукта за почистване на електронни устройства, дрехи или обувки.

- Високонапорните маркучи, фитингите и куплунгите са важни за безопасността на продукта. Използвайте само маркучи, фитинги и куплунги, препоръчани от производителя.
- Продължителното използване на инструмента може да доведе до наранявания или влошаване. При използване на инструмента за продължителни периоди от време правете чести почивки.

⚠ ВНИМАНИЕ Продуктът не трябва да се използва върху източник на питейна вода, без да има монтиран възвратен клапан, който отговаря на EN 12729 Тип ВА. Водата, преминаваща през възвратния клапан, не е годна за пиене. Винаги съблюдавайте разпоредбите на вашата място дружество за водоснабдяване, когато свързвате продукта към линия за подаване на вода.

ПРЕДУПРЕЖДЕНИЯ ЗА БЕЗОПАСНОСТ ПРИ РАБОТА С ЕЛЕКТРИЧЕСТВО

- Щепселът на инструмента трябва да е съвместим с контакта. В никакъв случай не внасяйте изменения в конструкцията на щепсела. Използването на оригиналните щепсели и контакти намалява риска от токов удар.
- Не използвайте продукта, ако има повреден захранващ кабел или други важни части, напр. защитните устройства.
- Проверявайте захранващия кабел и удължителя за повреда преди всяка употреба. Ако захранващият или удължителният кабел е повреден, той трябва да бъде заменен от производителя, негов сервизен агент или подобни квалифицирани лица, за да се избегне опасност.
- Преди употреба огледайте захранващия кабел за повреди. Ако има следи от повреди, той трябва да бъде подменен от квалифицирано лице в оторизиран сервизен център, за да се избегне възникването на опасности.
- Дръжте захранващия кабел далече от топлина, масло и остри предмети.
- Никога не докосвайте ел. щепсел и контакт с мокри ръце.
- Неподходящите удължителни кабели могат да бъдат опасни. Ако използвате

удължителен кабел, той трябва да бъде подходящ за употреба на открито и мястото на включване трябва да бъде сухо и на разстояние от земята. Използвайте удължител с макара, за да държите контакта най-малко на 60 мм над земята.

- Свързването към електрозахранването трябва да се извърши от квалифициран електротехник и трябва да отговаря на стандарт IEC 60364-1. Препоръчва се електрозахранването към продукта да включва или устройство за дефектнотокова защита, което да прекъсне захранването, ако токът на утечка към земя надхвърли 30 mA за 30 ms, или заземително устройство.

ДОПЪЛНИТЕЛНИ ПРЕДУПРЕЖДЕНИЯ ЗА БЕЗОПАСНОСТ

- В някои региони действат наредби, които ограничават употребата на продукта. За съвети се обръщайте към местните власти.
- Проверявайте продукта за повреди преди всяка употреба. Ако има повреден високонапорен маркуч, той трябва да бъде сменен незабавно. Уверете се, че всички свързки, напр. на високонапорния маркуч или дюзата, са здрави и сигурни. Внимателно махайте маркуча, така че да не се усуче или прекъсне.
- Не позволявайте на деца или необучени лица да използват този продукт.
- Преди да започнете работа по почистване, затворете вратите и прозорците. В зоната за почистване не трябва да има отпадъци, играчки, външни мебели или други предмети, които могат да причинят някаква опасност.
- Никога не вдигайте и не носете продукта, докато моторът му работи.
- Не използвайте продукта при температура под 0°C.
- Не използвайте киселини, основи, разтвори, запалими материали, избелители или промишлени разтвори в продукта. Те могат да причинят физически наранявания на оператора и необратима повреда на продукта.
- Винаги работете с продукта на равна повърхност.

⚠ ПРЕДУПРЕЖДЕНИЕ! Струята под високо налягане може да бъде опасна, ако не се използва правилно. Струята не трябва да бъде насочвана към хора, животни, електрически уреди или към самия продукт.

- Дръжте ръкохватката със спусъка здраво с двете ръце. Имайте предвид, че ръкохватката със спусъка ще помръдне при натискане на спусъка поради ответната реакция. Ако не сте готови за това, може да загубите контрол и да раните себе си и други хора.
- Уверете се, че в маркуча и помпата няма въздух, преди да включите продукта. За да отстраните въздуха в маркуча и помпата, свържете подаването на вода към помпата с помощта на градински маркуч, свържете ръкохватката на спусъка към помпата с помощта на маркуч за високо налягане, освободете предпазителя на спусъка и натискайте спусъка, докато има постоянен поток.
- Внимавайте да не се подхлъзнете или да не паднете.
- Заемайте стабилна позиция и пазете баланс. Не се протягайте, за да работите на трудно достижими места. Протягането може да доведе до загуба на равновесие.
- Използвайте само одобрени от производителя аксесоари. Използването на неподходящи принадлежности може да доведе до нараняване.
- Никога не оставяйте изделието да работи без надзор. Спрете продукта. Не оставяйте изделието, докато то не стигне до пълно спиране.
- Запознайте се с устройствата за управление. Научете как да спирате продукта и бързо да освободите налягането.
- Бъдете нащрек и упражнявайте контрол през цялото време. Внимавайте какво правите и проявявайте благоразумие.
- Не използвайте продукта, ако сте уморени, болни или под влиянието на алкохол, наркотици или лекарства. Миг невнимание по време на работа с продукта може да предизвика сериозни физически наранявания.
- Не използвайте продукта, ако превключвателят не включва или изключва продукта. Продукт, който не може да бъде контролиран посредством

превключвател, е опасен и трябва да бъде ремонтиран.

- Когато почиствате автомобили, го правете най-малко от 30 см. Струята под високо налягане може да повреди или разруши гумите и/или вентилите.
- Използвайте градински маркуч с максимална дължина 15 м и минимален диаметър 18 мм
- Преди всяко използване проверявайте дали всеки аксесоар и здраво прикрепен към пистолета.

ЗАЩИТА ОТ ПРЕТОВАРВАНЕ

Продуктът има устройство за защита от претоварване, което се активира, когато възникне прегряване или пик в тока, като автоматично изключва захранването в продукта. За да възобновите работата, изключете продукта от електрическата мрежа, изчакайте около 15 минути и включете отново продукта към захранването.

ТРАНСПОРТИРАНЕ И СЪХРАНЕНИЕ

⚠ ВНИМАНИЕ! Имайте предвид теглото на продукта, когато избирате място за съхранение и по време на транспортиране, за да предотвратите нещастни случаи или наранявания.

- Спрете продукта, изключете го от електрозахранването и го оставете да се охлади. Изключете продукта от линията за подаване на вода, преди да го приберете или транспортирате. Винаги поставяйте продукта изправен.
- Почистете продукта от всички чужди частици. Съхранявайте я на хладно, сухо и добре проветрявано място, което е недостъпно за деца. Дръжте продукта далече от разяждащи вещества, като например градински химикали и размразяващи соли. Не съхранявайте продукта на открито.
- Източете водата от всички маркучи и от помпата и изпразнете резервоара за препарат, преди да приберете продукта.
- Когато транспортирате продукта, го обезопасете така, че да не може да се движи или да падне, защото това може да доведе до евентуални наранявания на хора или повреди по продукта.

- Съхранявайте продукта само на закрито. Съхраняването на продукта на място с температура под 0° ще го повреди.

ПОДДРЪЖКА

- Използвайте само оригинални резервни части, аксесоари и приставки от производителя. В противен случай може да се влоши работата на инструмента или да получите тежки контузии, а гаранцията ви ще стане невалидна.
- Сервизното обслужване изисква изключително внимание и специфични познания и следва да бъде извършвано само от квалифициран техник. Продуктът трябва да бъде ремонтиран само в упълномощен сервиз.
- Спрете продукта и извадете щепсела от електрическия контакт. Изключете продукта от линията за подаване на вода. Изчакайте, докато продуктът се охлади:
 - преди обслужване
 - преди почистване на запушване
 - преди проверка, почистване или работа по уреда
- Можете да правите само такива настройки и поправки, които са описани в настоящото ръководство. За други поправки или съвети потърсете съдействието от оторизиран сервизен център.
- За да гарантирате безопасното функциониране на водоструйката, я проверявайте и поддържайте редовно. RYOBI препоръчват инспектиране на продукта на всеки 6 месеца.
- Периодично проверявайте дали всички гайки, болтове и винтове са правилно затегнати, за да сте сигурни, че продуктът е в изправност. Всяка повредена част трябва да бъде поправена или заменена от упълномощен сервизен център.

ОПОЗНАЙТЕ ВАШИЯ ПРОДУКТ

Вж. страница 145.

1. Ръкохватка за носене
2. Носач на захранващия кабел
3. Превключвател ПУСКАНЕ/СПИРАНЕ
4. Ръководство за оператора
5. Винт за ръкохватка
6. Входящ филтър за вода
7. Входящ отвор за вода
8. Захранващ кабел

9. Бутон за освобождаване на маркуча
10. Изходящ отвор за вода
11. Държач за пистолет
12. Удължителен струйник
13. Ключалка за спусъка на ръкохватката
14. Спусък
15. Бутон за заключване на маркуча
16. Маркуч за високо налягане
17. Регулируем струйник
18. Градински маркуч
19. Почистващ препарат RYOBI
20. Конектор за градински маркуч
21. Турбо струйник
22. Бутилка за препарат

ЗАБЕЛЕЖКА: Ако използвате почистващ препарат, направете справка с информационния лист за безопасност на материалите на почистващия препарат.

УСТРОЙСТВА ЗА БЕЗОПАСНОСТ

- Превключвател ПУСКАНЕ/СПИРАНЕ
 - Превключателят „вкл/изкл“ предотвратява неумишлена работа на изделието.
- Ключалка за спусъка на ръкохватката
 - Ключалката за спусъка на ръкохватката заключва спусъка и предотвратява неволно отваряне на струята под високо налягане.
- Преливен вентил с пресостат
 - Преливният вентил предотвратява надвишаване на допустимото работно налягане. Ако лостът на пистолет разпръсквача е отпуснат, пресостатът изключва помпата и струята високо налягане спира. Ако лостът е натиснат, помпата се включва отново.
- Защита от претоварване
 - Термичен датчик защитава продукта от претоварване. При претоварване захранването на продукта ще се изключи автоматично.

СИМВОЛИ НА ПРОДУКТА



Прочетете и разберете всички инструкции, преди да използвате продукта. Следвайте всички предупреждения и инструкции за безопасност.



Инструмент от клас II, двойна изолация



Носете средства за защита на зрението и слуха.



Захранване



Изделието не е подходящо за свързване към мрежата с питейна вода без предпазно устройство за обратен поток.



Никога не насочвайте пръскалката към хора, животни, тялото на машината, електрозахранването или други електрически уреди.



Номинално налягане



Завъртете долната част на дюзата докрай надясно, за да активирате режима на ниско налягане за покриване с пена/препарат.



Знак за съответствие с европейските изисквания



Знак за съответствие с изискванията на Обединеното кралство



EurAsian знак за съответствие



Знак за съответствие с изискванията на Украйна



Гарантирано ниво на шум



Електрическите уреди не трябва да се изхвърлят заедно с битовите отпадъци. Рециклирайте, където има възможност. Обърнете се за съвет по рециклирането към местните власти или разпространителите.

СИМВОЛИ В НАСТОЯЩОТО РЪКОВОДСТВО



Носете здрави предпазни ръкавици, пригодени против плъзгане.



Частите или принадлежностите се продават отделно



Свържете към електрически контакт.



Изключете от електрическия контакт



Забележка



Предупреждение

ОТСТРАНЯВАНЕ НА ПРОБЛЕМИ

Проблем	Възможна причина	Решение
Пулсации на налягането	Помпата засмуква въздух	Проверете дали маркучите и свързванията са въздухонепроницаеми.
	Замърсени, износени или заседнали вентили	За сервизно обслужване занесете продукта в оторизиран сервизен център.
	Износени уплътнения на помпата	За сервизно обслужване занесете продукта в оторизиран сервизен център.
Машината спира	Температурният сензор е активиран	Оставете почистващата машина да се охлажда в продължение на 15 минути.
	Разпръскващата дюза е частично блокирана	Почистете разпръскващата дюза
Пулсиране на продукта	Въздух във входящия маркуч/помпата	Позволете на изделието да работи с активиран спусък, докато се възобнови редовното работно налягане.
	Недостатъчно захранване от водопровода	Проверете дали захранването с вода съответства на необходимите спецификации (вижте табелката за модела). Избягвайте използването на дълги и тънки маркучи.
	Разпръскващата дюза е частично блокирана	Почистете разпръскващата дюза
	Водният филтър е блокиран	Почистете филтъра.
	Пречупен маркуч	Изправете маркуча
Продуктът стартира, но не излиза вода	Замръзнали маркучи/помпа или принадлежност	Изчакайте, докато помпата, маркучите или другата принадлежност се размрази.
	Няма водоснабдяване	Свържете входящия отвор за вода към водоснабдяването.
	Водният филтър е блокиран	Почистете филтъра.
	Блокирана разпръскваща дюза	Почистете разпръскващата дюза

Головними міркуваннями при розробці цієї електричної мийки високого тиску були безпека, ефективність та надійність.

ПЕРЕДБАЧУВАНОМУ ВИКОРИСТАННІ

Електрична мийка високого тиску призначена тільки для використання на свіжому повітрі. З міркувань безпеки продукт повинен належним чином контролюватися за допомогою двох рук.

Продукт призначений для домашнього або місцевого використання. Пристрій призначено для очищення машин, транспортних засобів, будівель, підлог, інструментів, фасадів, терас та бетонних тротуарів шляхом видалення бруду за допомогою чистої води з додаванням миючого засобу або без нього.

Використовувати виріб слід у добре освітлених місцях.

Не використовуйте для будь-яких інших цілей.

⚠ Попередження! Пристрій призначений для використання із нейтральними миючими засобами, які постачаються або рекомендуються виробником. Використання інших миючих засобів або хімікатів може негативно вплинути на безпеку пристрою.

ЗАГАЛЬНІ ЗАХОДИ БЕЗПЕКИ

⚠ Попередження! Прочитайте всі правила безпеки та інструкції. Недотримання попереджень та інструкцій може призвести до ураження електричним струмом, пожежі та / або серйозної травми.

- Пристрій не призначений для використання дітьми, особами з обмеженими фізичними, сенсорними або інтелектуальними здібностями та особам, яким бракує досвіду та знань. Потрібно належним чином стежити за дітьми, щоб вони не грали з машиною.
- При використанні пристрою, одягайте засоби індивідуального захисту, такі як чоботи, захисні рукавички, захисні шоломи із маскою та засоби захисту органів слуху. Використовуйте тільки ударостійкі маски із захистом від бризок рідини.

⚠ Попередження! Заборонено використовувати пристрій, якщо у межах досяжності знаходяться люди, за винятком

випадку, коли вони одягнені в захисний одяг.

- Тримайте пристрій подалі від дітей та сторонніх осіб, щоб знизити ризик травмування. Всі спостерігачі повинні одягати захисні окуляри та знаходитися на безпечній відстані від робочої зони.
- Переконайтеся, що всі захисні механізми знаходяться у гарному робочому стані. Перед кожним використанням, переконайтеся, що захисне приладдя працює належним чином.
- Заборонено використання пристрою, якщо пошкоджені важливі деталі, такі як захисне приладдя, шланги високого тиску або курок пістолета-розпилювача.
- Будьте обережні при розблокуванні курка. Міцно утримуйте ручку з курком двома руками, щоб попередити травмування, під час повернення ручки з курком у зворотньому напрямку.

⚠ Попередження! Під час використання очищувачів високого тиску, ймовірно утворення аерозолів. Вдихання аерозолів може бути небезпечним для здоров'я. Залежно від застосування, для очищення під високим тиском можуть бути використані захисні насадки, що дозволяють знизити викид водомістких аерозолів. Проте, не всі застосування дозволяють використання таких насадок. Якщо використання захисних насадок неможливе для захисту від вдихання аерозолів, відповідно до умов зони очищення необхідно одягати респіраторну маску типу FFP 2 або еквівалентну до неї.

- Завжди вимикайте пристрій, залишаючи його без нагляду.
- Струмінь високого тиску є небезпечним при неправильному використанні. Заборонено спрямовувати струмінь у бік людей, підключене електричне обладнання або на сам пристрій.
- Заборонено розпилювати горючі рідини, щоб уникнути ризику вибуху.
- Заборонено спрямовувати струмінь на себе або інших людей з метою очищення одягу або взуття.
- Заборонено використовувати пристрій для очищення електричного обладнання, одягу або взуття.
- Шланги високого тиску, пристосування та стикування важливі для безпеки

пристрою. Використовуйте лише шланги, пристосування та стикування рекомендовані виробником.

- Тривале використання інструменту може призвести до травмування або загострення існуючої травми. При використанні приладу протягом тривалого періоду часу, часті перерви.

⚠ УВАГА! Заборонено підключати пристрій до системи постачання питної води без встановленого зворотного клапану який відповідає вимогам EN 12729 типу VA. Вода, що тече через зворотний клапан не придатна для пиття. Завжди дотримуйтесь правил вашої місцевої компанії водопостачальника при підключенні пристрою до водопровода.

ПОПЕРЕДЖЕННЯ З ЕЛЕКТРИЧНОЇ БЕЗПЕКИ

- Вилка живлення електроінструменту повинна відповідати розетці. Ніколи не змінюйте вилку. Не змінені вилки та відповідні розетки зменшують ризик ураження електричним струмом.
- Заборонено використання пристрою, якщо пошкоджений дріт живлення або інші важливі частини, такі як захисне приладдя.
- Перед кожним використанням перевіряйте дріт живлення та подовжувач на наявність пошкоджень. Щоб уникнути небезпеки, у випадку пошкодження шнура живлення або подовжувача, їх повинен замінити виробник, його представник з технічного обслуговування або відповідна кваліфікована особа.
- Перед кожним використанням перевіряйте шнур живлення на наявність пошкоджень. Якщо є ознаки пошкодження, він повинен бути замінений кваліфікованим фахівцем в авторизованому сервісному центрі, щоб уникнути небезпеки.
- Тримайте шнур живлення далеко від тепла, масла і гострих країв.
- Заборонено торкатись штекеру або розетки вологими руками.
- Пошкоджені подовжувачі є небезпечними. Якщо використовується подовжувач, він має бути призначеним для використання на свіжому повітрі, з'єднання має бути сухим та не торкатись землі. Використовуйте катушку для

дроту, щоб зберігати до землі відстань найменше 60 мм.

- Підключення до електричної мережі має бути здійснено кваліфікованим електриком та має відповідати ІЕС 60364-1. Рекомендується при підключенні пристрою до електричної мережі використовувати пристрій захисного відключення, який перериває подачу електроенергії, якщо струм витоку на землю перевищує 30 мА протягом 30 мс, або пристрій, що контролює контур заземлення.

ДОДАТКОВІ ЗАГАЛЬНІ ПОПЕРЕДЖЕННЯ ЩОДО БЕЗПЕКИ

- У деяких регіонах існують правила, що обмежують використання продукту для деяких операцій. Перевірте з вашим місцевим органом влади для консультацій
- Перед кожним використанням перевіряйте цілісність пристрою. Пошкоджений шланг високого тиску має бути негайно замінений. Переконайтесь, що всі з'єднання, такі як шланг високого тиску та насадки, надійні. Розмотайте шланг правильно, не має бути жодних викривлень та перекручень.
- Не дозволяйте дітям або ненавченим людям користуватися пристроєм.
- Закрийте вікна та двері перед початком будь-якого очищення. Приберіть зону очищення від сміття, іграшок, вуличних меблів та інших предметів, що можуть спричинити небезпечну ситуацію.
- Ніколи не підіймайте або носіть пристрій під час його роботи.
- Заборонено використання пристрою за температури нижче 0°C.
- Заборонено використання із пристроєм кислот, луг, розчинників, легкозаймистих матеріалів, відбілювачів, або розчинників промислового класу. Ці засоби можуть спричинити травмування оператора та незворотні пошкодження пристрою.
- Завжди використовуйте пристрій на рівній поверхні.

⚠ Попередження! При неналежному використанні струмінь високого тиску є небезпечним. Струмінь не має бути

спрямований на людей, тварин, електричне обладнання або сам пристрій.

- Міцно тримайте ручку з курком двома руками. Зауважте, що ручка з курком рухатиметься, коли натискається курок відповідно до сили протидії. Якщо це зроблено неправильно, може бути втрачений контроль або спричинене травмування оператора чи інших людей.
- Переконайтеся, що зі шлангу та насосу випущене повітря перед тим, як увімкнути пристрій. Для видалення повітря зі шлангу та насоса, підключить водопостачання до насоса за допомогою садового шлангу, приєднайте ручку тригера до насоса за допомогою шлангу високого тиску, ослабте фіксатор ручки тригера та натисніть на спусковий гачок доки потік не стане сталим.
- Будьте обережні, щоб уникнути ковзання або падіння.
- Тримайте міцну опору і рывновагу. Не тягніться. Намагання дотягнутися можуть призвести до втрати рівноваги.
- Використовуйте тільки аксесуари, затверджені виробником. Використання невідповідних аксесуарів може стати причиною травмування.
- Ніколи не залишайте увімкнений прилад без нагляду. Вимкніть пристрій. Не залишайте прилад доки він повністю не зупиниться.
- Добре ознайомтесь з керуванням. Знайте, як зупинити пристрій та швидко знизити тиск.
- Будьте уважними та здійснійте перевірки. Дивіться, що ви робите та керуйте здоровим глуздом.
- Не працюйте з виробом, коли ви втомлені або знаходитесь під дією наркотиків, алкоголю або медикаментів. Найменша необережність при роботі з електроінструментом може призвести до серйозних травм.
- Не використовуйте пристрій у разі, якщо кнопка вимикання не працює. Продукт, який не може управлятися за допомогою перемикача, небезпечний і повинен бути відремонтований.
- Дотримуйтеся мінімальної дистанції у 30 см, коли очищуєте транспортні засоби. Струмий високого тиску може призвести

до пошкодження або розривання автомобільних покришок та / або клапанів покришок.

- Використовуйте садовий шланг максимальною довжиною 15 м та мінімальним діаметром 18 мм (3/4 дюйма)
- Перед кожним використанням переконайтеся, що аксесуар надійно прикріплений до ручки з курком.

ЗАХИСТ ВІД ПЕРЕВАНТАЖЕННЯ

Виріб обладнано пристроєм захисту від перевантаження, який активується у разі перегріву або пікового струму, автоматично вимикаючи подачу живлення на виріб. Для повторного ввімкнення від'єднайте виріб від мережі живлення, зачекайте приблизно 15 хвилин і знов приєднайте його до мережі.

ТРАНСПОРТУВАННЯ ТА ЗБЕРІГАННЯ

⚠ УВАГА! Пам'ятайте про вагу пристрою під час вибору місця зберігання або під час транспортування для попередження нещасних випадків та травмування.

- Зупиніть пристрій, від'єднайте від електричної мережі та дайте пристрою охолонути. Від'єднайте пристрій від водопроводу перед тим, як зберігати або транспортувати. Заборонено тримати пристрій у будь-якому положенні, окрім вертикального.
- Почистіть всі сторонні матеріали з продукту. Зберігайте його в сухому прохолодному і добре провітрюваному місці, недоступному для дітей. Зберігати подалі від агресивних агентів, таких як садові хімікати і солей проти обледеніння. Не зберігайте пристрій на відкритому повітрі.
- Перед зберіганням продукту видаліть всю воду з шлангів та насоса, спустошить бак для миючого засобу.
- Для транспортування, забезпечіть машину від руху або падіння, щоб запобігти травмі людей або пошкодження машини.
- Зберігайте пристрій тільки у приміщенні. Зберігання приладу при температурі нижче 0° призведе до його пошкодження.

ТЕХНІЧНЕ ОБСЛУГОВУВАННЯ

- Використовуйте тільки оригінальні запасні частини, аксесуари та обладнання від виробника. Невиконання цієї вимоги може привести до можливої травми, поганої продуктивності та може призвести до втрати гарантії.
- Обслуговування вимагає крайньої обережності і знання і повинно бути виконане тільки кваліфікованим фахівцем. Звертайтеся тільки до авторизованого сервісного центру.
- Вимкніть виріб і від'єднайте його від електромережі. Від'єднайте пристрій від водопроводу. Дайте виробу охолонути:
 - перед обслуговуванням
 - перед очищенням закупорення
 - перед перевіркою, чищенням, або роботі на продукті
- Ви можете зробити регулювання та ремонт, описані в цьому посібнику користувача. Для інших ремонтних робіт, зверніться до авторизованого сервісного агента.
- Для безпечного використання регулярно перевіряйте та проводьте технічне обслуговування мийки високого тиску. RYOBI рекомендує перевіряти повну справність пристрою кожні 6 місяців.
- Перевірте всі гайки, болти і гвинти після короткого проміжка часу на правильну герметичність, щоб забезпечити продукт у безпечному робочому стані. Будь-яка пошкоджена деталь, має бути правильно відремонтована або замінена в авторизованому сервісному центрі.

ЗНАЙ СВІЙ ПРОДУКТ

Дивіться сторінку 145.

1. Ручка для носіння
2. Тримач шнура живлення
3. Перемикач УВІМК/ВИМК
4. Керівництво по експлуатації
5. Гвинт ручки
6. Впускний фільтр для води
7. Впускний отвір для води
8. Шнур живлення
9. Кнопка від'єднання шлангу
10. Випускний отвір для води
11. Тримач пістолета
12. Lance Розширення
13. Фіксатор пускової ручки
14. Клямка

15. Кнопка фіксації шлангу
16. Шланг високого тиску
17. Насадка Vario lance
18. Садовий шланг
19. Мийний засіб RYOBI
20. Конектор для садового шлангу
21. Насадка Turbo lance
22. Бачок для м'яючого засобу

ПРИМІТКА: Перш ніж використовувати м'яючий засіб, зверніться до Паспорту безпеки матеріалів м'яючого засобу.

ЗАХИСНІ ПРИСТРОЇ

- Перемикач УВІМК/ВИМК
 - Вимикач живлення "on/off" запобігає випадковому функціонуванню приладу.
- Фіксатор пускової ручки
 - Фіксатор пускової ручки блокує пуск та запобігає ненавмисному відкриттю мийки високого тиску.
- Пропускний клапан з реле тиску
 - Пропускний клапан запобігає перевищенню допустимого робочого тиску. Якщо відпустити важіль розпилювача, реле тиску відключить насос і мийка високого тиску зупиниться. Якщо потягнути важіль, насос включиться знову.
- Захист від перевантаження
 - Термодатчик захищає пристрій від перевантаження. Пристрій автоматично вимикає живлення під час перегріву.

СИМВОЛИ НА ПРОДУКТІ

Перед використанням пристрою прочитайте та зрозумійте всі інструкції. Дотримуйтесь всіх попереджень та інструкцій з безпеки використання.



Клас II, Подвійна ізоляція



Носіть захист очей і вух.



Потужність



Прилад не призначений для підключення до мережі питної води без пристрою запобігання зворотного витоку.



Заборононо спрямовувати розпилювальну трубку на людей, тварин, корпус механізму, блок живлення та будь-яке електричне обладнання.



Номінальний тиск



При повороті нижньої частини розпилювача до упору вправо активується режим низького тиску для спінування / миючого засобу.



Європейський знак відповідності



Британський знак відповідності



Євразійська знак відповідності.



Український знак відповідності



Гарантований рівень звукової потужності.



Не викидати відпрацьовані електричні прилади разом із побутовими відходами. Утилізувати у спеціально призначених закладах. За консультацією по утилізації приладу зверніться до органу місцевої влади або дилера



Запчастини та аксесуари, що продаються окремо



Підключення до електричної розетки.



Відключення від електричної розетки.



ПРИМІТКА



Попередження

СИМВОЛИ В ЦЬОМУ ПОСІБНИКУ



Носіть неслизькі, надміцні рукавички.

ПОШУК І УСУНЕННЯ НЕСПРАВНОСТЕЙ

Проблема	Можливі Причини	Рішення
Плаваючий тиск	Насос всмоктує повітря	Перевірте герметичність шлангів і з'єднань.
	Клапани забруднені, зношені або заблоковані	Принесіть продукт в авторизований сервісний центр для ремонту.
	Зношені прокладки ущільнення насосу	Принесіть продукт в авторизований сервісний центр для ремонту.
Машина зупинилась	Спрацював термодатчик	Залиште мийку протягом 15 хвилин, щоб охолонула.
	Частково забита насадка	Очистіть сопло.
Пристрій пульсує	Повітря у впускному шлангу/насосі	Дозвольте приладу попрацювати з відкритим курком, поки не відновиться нормальний робочий тиск.
	Недостатнє постачання водопровідної води	Переконайтеся, що подача води відповідає необхідним характеристикам (див. таблицю з позначенням моделі). Уникайте використання довгих, тонких шлангів.
	Частково забита насадка	Очистіть сопло.
	Фільтр для води забитий	Очистіть фільтр.
	Перекручений шланг	Випряміть шланг.
Виріб вмикається, але вода не поступає	Лід у насосі/шлангах або аксесуарах	Зачекайте, поки насос, шланги, або інші приналежності відтануть.
	Немає водопостачання	Під'єднайте водяний впускний отвір до джерела водопостачання.
	Фільтр для води забитий	Очистіть фільтр.
	Насадка заблокована	Очистіть сопло.

Elektrikli yüksek basınçlı temizleyicinin tasarımında güvenlik, performans ve güvenilirliğe en yüksek öncelik verilmiştir.

KULLANIM AMACI

Elektrikli yüksek basınçlı temizleyici yalnızca dış mekanlarda kullanım için tasarlanmıştır. Güvenlik nedenleriyle ürün iki elle kullanılarak uygun şekilde kontrol edilmelidir.

Ürün evde veya domestik kullanım için tasarlanmıştır. Makineler, araçlar, binalar, katlar, aletler, dış cepheler, teraslar ve beton kaldırımların temizleme deterjanı ile birlikte ya da sadece temiz su kullanılarak inatçı kirlere temizlenmesi için kullanılır.

Ürün iyi aydınlatılmış ortamlarda kullanılmalıdır.

Başka herhangi bir amaçla kullanmayın.

⚠ UYARI! Bu ürün üretici tarafından tedarik edilen ya da tavsiye edilen nötr temizleme maddesi ile kullanılacak şekilde tasarlanmıştır. Farklı temizleme maddelerinin kullanımı ürünün emniyetli kullanımını olumsuz yönde etkileyebilir.

GENEL GÜVENLİK UYARILARI

⚠ UYARI! Tüm güvenlik uyarılarını ve tüm talimatları okuyun. Uyarılara ve talimatlara uymamak elektrik çarpması, yangın ve/veya ciddi yaralanma ile sonuçlanabilir.

- Ürün çocuklar ya da kısıtlı fiziksel, duyuşal ya da zihinsel becerilere sahip ya da yeterli deneyimi veya bilgisi olmayan kişilerin kullanımına uygun değildir. Ürünle oynamadıklarından emin olmak için çocuklara uygun şekilde nezaret edilmelidir.
- Ürünü çalıştırırken çizme, emniyet eldiveni, vizörlü emniyet kaskı ve işitme koruması gibi koruyucu ekipman kullanın. Yalnızca sıvı sıçrama korumasına sahip yüksek etkili vizör kullanın.
- ⚠ **UYARI!** Ürünü koruyucu kıyafeti olmayan kişiler yakınındayken kullanmayın.
- Yaralanma riskini azaltmak için çocuk ve ziyaretçileri üründen uzak tutun. Tüm ziyaretçilerin emniyet gözlükleri kullanması ve çalışma alanından güvenli bir mesafede bulunması gerekir.
- Emniyet cihazlarının iyi ve çalışır durumda olduğundan emin olun. Her kullanımdan önce tüm emniyet cihazlarının düzgün şekilde çalıştığından emin olun.

■ Emniyet cihazları, yüksek basınçlı hortumlar ya da tabanca gibi önemli parçalar hasarıysa ürünü kullanmayın.

■ Tetiği açarken dikkatli olun. Tetik tutamağı geri teperken yaralanmadan kaçınmak için tetik tutamağını iki elinizle sıkıca tutun.

⚠ UYARI! Yüksek basınçlı temizleyici kullanımı esnasında aerosoller oluşabilir. Aerosollerin solunması sağlığa zararlı olabilir. Uygulamaya bağlı olarak yüksek basınçlı temizlik için sulu aerosollerin emisyonunu azaltan korumalı nozüller kullanılabilir. Ancak bu cihaz tüm uygulamalarda kullanılamaz. Aerosollere karşı koruma için korumalı nozüller kullanılmazsa temizlik ortamına bağlı olarak FFP 2 sınıfı ya da eşdeğeri bir solunum maskesi gerekli olabilir.

- Ürünü tek başına bırakırken her zaman durdurun.
- Yüksek basınçlı jet yanlış kullanıldığında tehlikelidir. Jeti kişilere, çalışan elektrikli ekipmanlara ya da ürünün kendisine doğru kullanmayın.
- Patlama riskinden kaçınmak için alev alabilen sıvıları sprey şeklinde sıkmayın.
- Kıyafet ya da ayakkabıları temizlemek için jeti kendinize ya da başkalarına doğrultmayın.
- Ürünü elektronik cihaz, kıyafet ya da ayakkabı temizliği için kullanmayın.
- Yüksek basınçlı hortum, tertibat ve rakorlar ürünün emniyeti için önemlidir. Yalnızca üreticinin tavsiye ettiği hortum, tertibat ve rakor kullanın.
- Ürünün uzun süre kullanılması nedeniyle yaralanmalar meydana gelebilir veya kötüleşebilir. Herhangi bir alet uzun süre kullanıldığında düzenli molalar verdiğinizden emin olun.

⚠ DİKKAT Ürün EN 12729 Tip BA ile uyumlu geri akış engelleyicisi olmadan içme suyu şebekesine bağlı şekilde kullanılmamalıdır. Geri akış engelleyicisi içinden akan su içilemez. Ürünü su şebekesine bağlarken her zaman yerel su şebekesi şirketinizin düzenlemelerine uyun.

ELEKTRİK EMNİYET UYARILARI

- Elektrik fişleri prize uygun olmalıdır. Fiş hiçbir zaman hiçbir şekilde değiştirmeyin. Üzerinde değişiklik yapılmayan fişler ve uygun prizler elektrik çarpması riskini azaltır.

- Güç kablosu ya da emniyet cihazları gibi önemli parçalar hasarlıysa ürünü kullanmayın.
 - Her kullanımdan önce güç kablosu ve uzatma kablosunu kontrol edin. Elektrik kablosu veya uzatma kablosu hasarlıysa, bir tehlikeyi önlemek için üretici, servis yetkilisi veya benzer bir yetkili kişi tarafından değiştirilmelidir.
 - Her kullanım öncesinde güç kablosunu hasara karşı kontrol edin. Hasar belirtisi olması durumunda, tehlikeli bir durumdan kaçınmak için değiştirme işleminin yetkili bir servis merkezince yapılması gerekir.
 - Güç kablosunu ısı, yağ ve keskin kenarlı nesnelere uzak tutun.
 - Ana prize ve fişe elleriniz ıslakken asla temas etmeyin.
 - Yetersiz uzatma kabloları tehlikeli olabilir. Uzatma kablosu kullanılıyorsa dış mekan kullanımına uygun olmalı ve bağlantı kuru ve yerden yukarıda tutulmalıdır. Soketi yerden en az 60 mm yukarıda tutmak için kablo makarası kullanın.
 - Elektrik beslemesi bağlantısı nitelikli bir elektrikçi tarafından yapılmalıdır ve IEC 60364-1 ile uyumlu olmalıdır. Ürüne giden elektrik beslemesinin, topraklamaya giden kaçak akımın 30 ms için 30 mA'yı geçmesi halinde beslemeyi kesen bir artık akım cihazı ya da toprak devresini onaylayan bir cihaz bulundurulması önerilir.
- EK GÜVENLİK UYARILARI**
- Bazı bölgeler ürünün bazı çalışmalarda kullanımına kısıtlama getiren yönetmeliklere sahiptir. Tavsiye için bölgenizdeki yetkili mercie başvurun.
 - Her kullanım öncesi üründe hasar olup olmadığını kontrol edin. Hasar görmüş yüksek basınçlı hortumun derhal değiştirilmesi gereklidir. Yüksek basınçlı hortum ve nozul gibi bağlantıların tamamının emniyetli olduğundan emin olun. Hortumu katlanıp sıkışmaması için düzgün şekilde açın.
 - Çocukların ve eğitimsiz kişilerin bu üniteyi kullanmasına izin vermeyin.
 - Herhangi bir temizlik işlemine başlamadan önce kapı ve pencereleri kapatın. Temizlenecek alanı çöp, oyuncak, bahçe mobilyası ya da tehlike oluşturabilecek diğer nesnelere arındırın.
 - Ürünü çalışır konumdayken asla kaldırmayın ya da taşımayın.
 - Ürünü 0°C altındaki sıcaklıklarda kullanmayın.
 - Ürüne asit, alkalın, çözücü, alev alabilir malzeme, ağartıcı ya da endüstriyel solüsyonlar koymayın. Bu ürünler kullanıcıda fiziksel yaralanmaya yol açabileceği gibi ürüne tamiri mümkün olmayan hasar verebilir.
 - Ürünü her zaman düz bir yüzeyde kullanın.
 - ▲ **UYARI!** Yüksek basınçlı jet yanlışı kullanıma maruz kaldığında tehlikelidir. Jet kişilere, hayvanlara, elektrikli ekipmanlara ya da ürünün kendisine doğru tutulmamalıdır.
 - Tetik tutamağını iki elinizle güvenli bir şekilde tutun. Tetik çekildiğinde reaksiyon vereceğinden tetik tutamağının hareket etmesini bekleyin. Aksi halde kontrolünüzü kaybedebilir ve kendiniz ile diğer kişilerin yaralanmasına yol açabilirsiniz.
 - Ürünü çalıştırmadan önce boru ve pompadaki havanın alındığından emin olun. Hortum ve pompadaki havayı gidermek için bahçe hortumuyla su tedarikini pompaya bağlayın, yüksek basınçlı hortumu kullanarak tetik tutamağını pompaya bağlayın, tetik tutamak kilidini devre dışı bırakın ve sürekli akış gelene dek tetiğe basılı tutun.
 - Kayma ve düşmeye karşı dikkatli olun.
 - Yere sağlam basın ve dengede durun. Yukarıya doğru erişmeye çalışmayın. Yukarıya erişmeye çalışmak dengenizi kaybetmenize neden olabilir.
 - Sadece üretici tarafından onaylanmış aksesuarları kullanın. Uygun olmayan aksesuarların kullanılması yaralanma riskine neden olabilir.
 - Çalışır vaziyetteyken asla ürünün yanından ayrılmayın. Ürünü kapatın. Ürün tamamen durana dek ürünün yanından ayrılmayın.
 - Kontrol elemanlarını iyi tanıyın. Ürünü hızlı bir şekilde durdurup basıncı boşaltmayı öğrenin.
 - Dikkatli olun ve tetikte kalın. Yaptığınız işe dikkat edin ve sağduyulu olun.
 - Ürünü yorgun veya hastayken ya da uyuşturucu, alkol veya ilaç etkisi altındayken asla kullanmayın. Ürünü kullanırken bir anlık dikkatsizlik ciddi kişisel yaralanmaya yol açabilir.
 - Eğer anahtar açılıp kapanmıyorsa makineyi kullanmayın. Anahtarla kontrol edilemeyen her elektrikli alet tehlikelidir ve onarılmalıdır.

- Araçları temizlerken en az 30 cm mesafe bırakın. Yüksek basınç araç lastiklerine ve/veya siboplarına hasar verebilir veya patlatabilir.
- Maksimum uzunluğu 15 m veya minimum çapı 18 mm (3/4 inç) olan bir bahçe hortumu kullanın.
- Her kullanımdan önce, aksesuarın tetik tabancasına sıkıca bağlandığından emin olun.

AŞIRI YÜK KORUMASI

Üründe aşırı ısınma ya da akım artışı olduğunda devreye giren ve ürün içindeki gücü otomatik olarak kapatan bir aşırı yük koruma cihazı bulunur. Çalışmaya devam etmek için ürünün güç kaynağı bağlantısını sökün, yaklaşık 15 dakika bekleyin ve ürünü güç kaynağına geri takın.

TAŞIMA VE DEPOLAMA

⚠ İKAZ! Kaza ve yaralanmalardan kaçınmak için depolama yeri seçerken ve taşıma esnasında ürünün ağırlığını hesaba katın.

- Ürünü durdurun, güç kaynağı bağlantısını kesin ve ürünün soğumasını bekleyin. Depolama ya da taşıma öncesinde ürünün su tedariki bağlantısını kesin. Ürünü dik konum dışında hiçbir konumda yerleştirmeyin.
- Üründeki tüm yabancı maddeleri temizleyin. Çocukların erişemeyeceği serin, kuru ve iyi havalandırılan bir yerde depolayın. Bahçe kimyasalları ve buz çözücü tuzlar gibi korozif maddelerden uzak tutun. Ürünü açık havada depolamayın.
- Ürünü depolamadan önce tüm boru ve pompadaki suyu, depodaki deterjanı boşaltın.
- Taşınacağı zaman insanların yaralanmasını veya ürünün zarar görmesini önlemek amacıyla ürünü hareket etmemesi veya düşmesi için sabitleyin.
- Ürünü yalnızca iç mekanlarda muhafaza edin. Sıcaklığın 0° altında olduğu yerde ürünü depolamak ürüne zarar verecektir.

BAKİM

- Sadece orijinal üreticinin yedek parçalarını, aksesuarlarını ve ek parçalarını kullanın. Aksine davranış olası yaralanmaya yol açabilir, yetersiz performansla neden olabilir ve garantinizin geçersiz olmasıyla sonuçlanabilir.

- Servis çalışması en yüksek düzeyde dikkat ve bilgi gerektirir ve sadece nitelikli bir servis teknisyeni tarafından yapılmalıdır. Ürünün servis işlemlerini sadece yetkili bir servis merkezinde yaptırın.
- Ürünü kapatın ve prizden güç çıkışıyla bağlantısını kesin. Ürünün su tedariki bağlantısını kesin. Ürünün soğumasını bekleyin:
 - servis yapmadan önce
 - tıkanıklığı temizlemeden önce
 - ürünü kontrol etme, temizleme ve ürün üzerinde çalışmadan önce
- Sadece bu kılavuzda açıklandığı şekilde ayar veya onarım yapabilirsiniz. Diğer onarımlar için yetkili servis temsilcisini arayın.
- Güvenli çalışma için yüksek basınçlı temizleyiciyi düzenli şekilde teftiş edin ve bakımını yapın. RYOBI ürünün her 6 ayda bir teftiş edilmesini önerir.
- Ürünün güvenli çalışma durumunda olduğundan emin olmak için tüm somunların, civataların ve vidaların doğru sıklıkta sık aralıklarla takıldığını kontrol edin. Hasarlı her tür parça yetkili servis merkezi tarafından uygun şekilde onarılmalı veya değiştirilmelidir.

ÜRÜNÜNÜZÜ TANIYIN

Bkz. sayfa 145.

1. Taşıma kulbu
2. Elektrik kablosu tutucu
3. Açma/Kapama Anahtarı
4. Kullanıcı Kılavuzu
5. Tutamak vidası
6. Su giriş filtresi
7. Su giriş yuvası
8. Güç kablosu
9. Hortum açma düğmesi
10. Su çıkış yuvası
11. Tetik tabancası tutucusu
12. Üfleme Borusu Uzatması
13. Tetik tutamak kilidi
14. Tetik
15. Hortum kilitleme düğmesi
16. Yüksek basınçlı hortum
17. Vario üfleme borusu
18. Bahçe hortumu
19. RYOBI deterjan
20. Bahçe hortumu bağlantı parçası
21. Turbo üfleme borusu
22. Deterjan Şişesi

NOT: Deterjan kullanırken, deterjanın Malzeme Güvenlik Veri Föyüne bakın.

GÜVENLİK CİHAZLARI

- Açma/Kapama Anahtarı
 - Açma/kapama düğmesi ürünün kazara çalıştırılmasını önler.
- Tetik tutamak kilidi
 - Tetik tutamak kilidi tetiği kilitler ve yüksek basınçlı jetin kazara açılmasını önler.
- Basınç düğmeli taşma supabı
 - Taşma supabı izin verilen çalışma basıncının aşılmasını önler. Tetik tabancası üzerindeki kol bırakılırsa basınç düğmesi pompayı kapatır ve yüksek basınçlı jet durur. Kol çekildiğinde pompa tekrar çalışır.
- Aşırı yük koruması
 - Bir ısı sensörü ürünü aşırı yükten korur. Aşırı ısındığında, ürün otomatik olarak gücü keser.

ÜRÜN ÜZERİNDEKİ SEMBOLLER



Ürünü çalıştırmadan önce bütün talimatları okuyup anlayın. Tüm uyarı ve güvenlik talimatlarına uyun.



Sınıf II alet, çift yalıtımlı



Koruyucu gözlük ve kulak tıkacı kullanın.



Güç



Ürün geri akış önleyici olmayan içme suyu şebekesine bağlanmaya uygun değildir.



Sprey çubuğunu asla kişiler, hayvanlar, makine gövdesi, güç kaynağı ya da elektrikli aletlere doğrultmayın.



Ölçülmüş basınç



Köpürtme/deterjan için düşük basınç modunu etkinleştirmek amacıyla nozülün alt kısmını en sağa çevirin.



Avrupa Uyumluluk İşareti



Britanya Uyumluluk İşareti



EurAsian Uygunluk İşareti



Ukrayna Uyumluluk İşareti



Güvenceli ses gücü seviyesi



Atık elektrikli ürünler evsel atıklarla birlikte atılmamalıdır. Lütfen tesislerin mevcut olduğu yerlerde geri dönüştürün. Geri dönüşüm tavsiyesi için bölgenizdeki yetkili merciye veya satıcıya başvurun.

BU KILAVUZDAKİ SEMBOLLER



Kaymaz, ağır iş eldiveni giyin.



Ayrı satılan parçalar veya aksesuarlar



Elektrik fişine bağlayın.



Elektrik fişinden ayırın.



Not

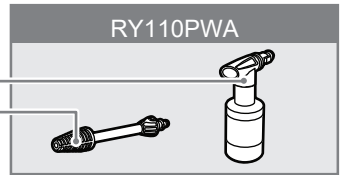
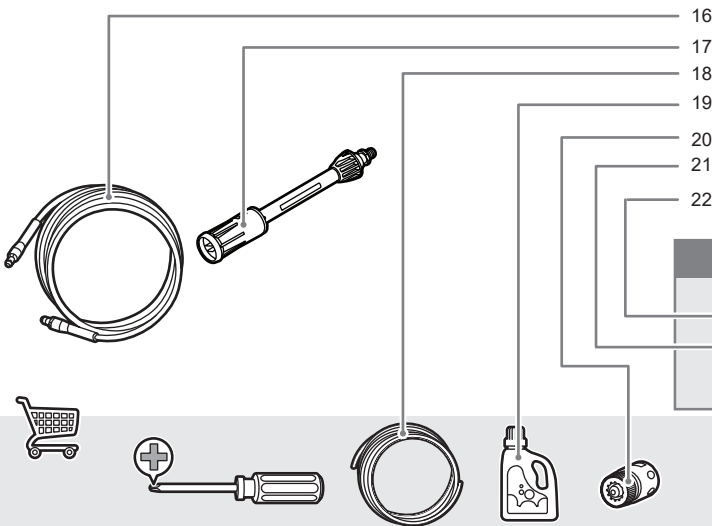
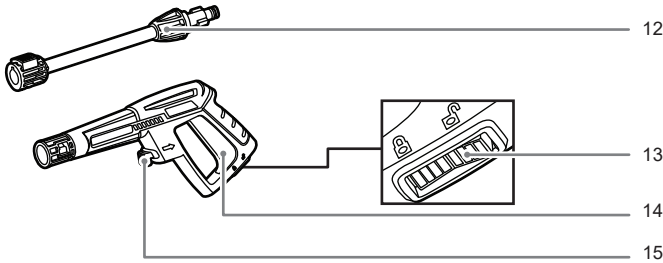
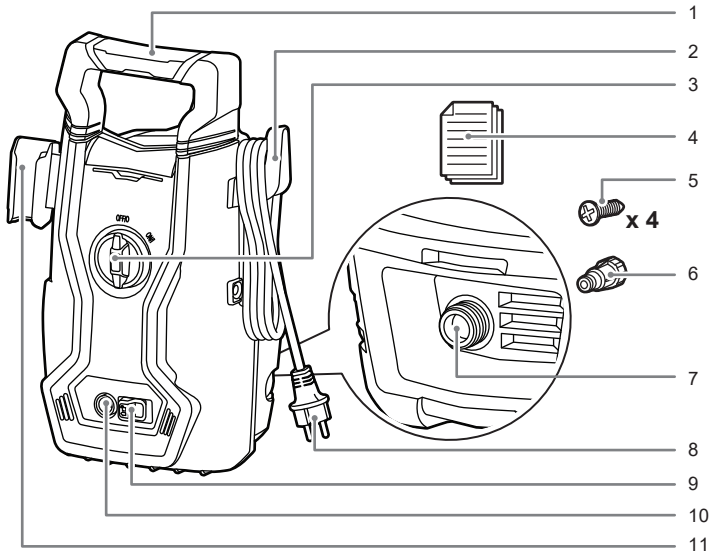


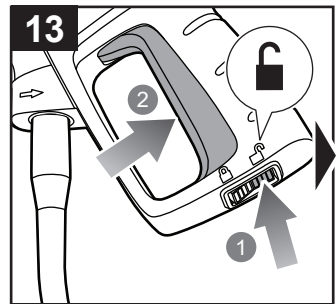
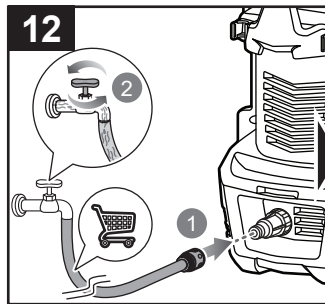
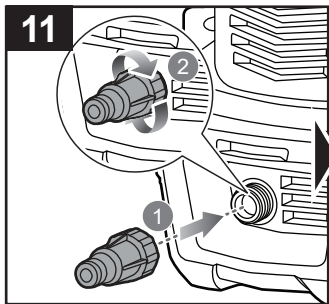
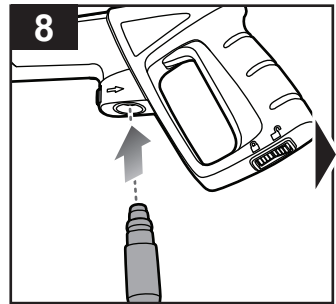
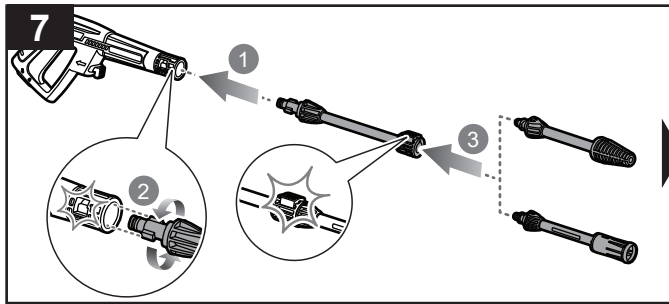
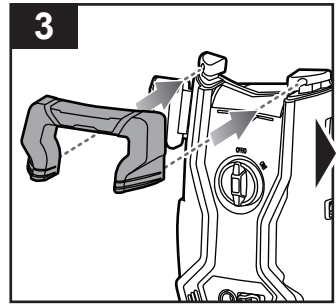
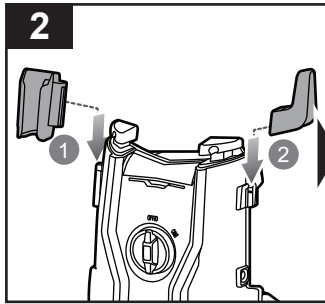
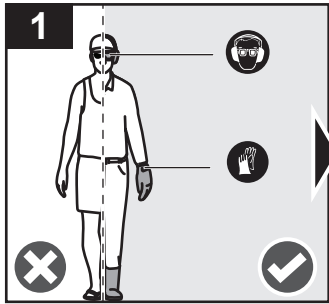
Uyarı

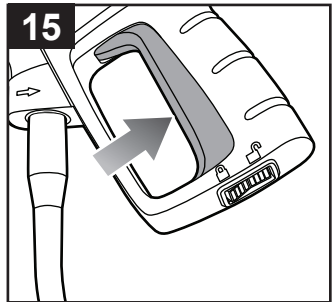
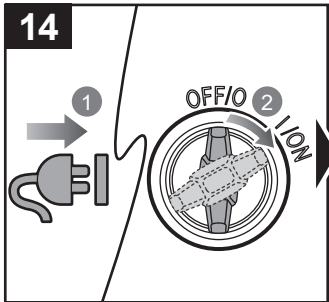
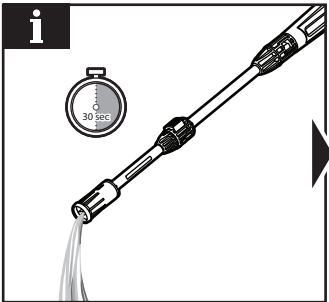
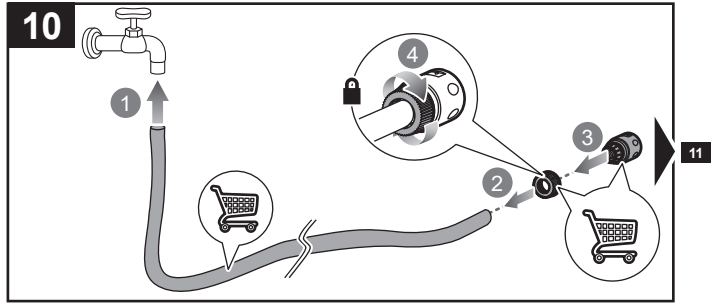
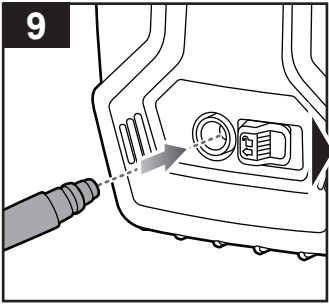
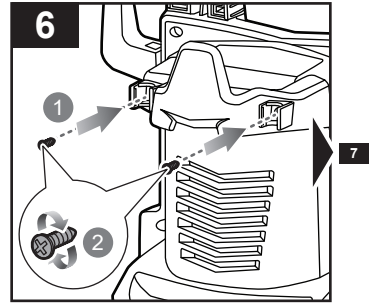
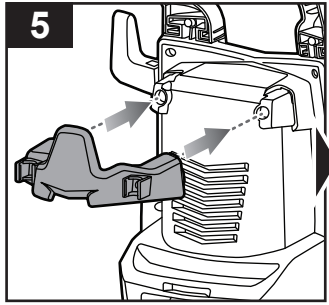
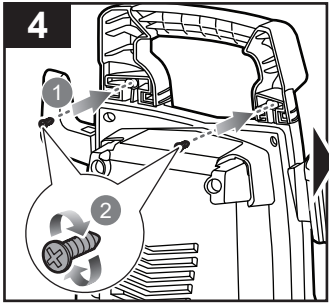
SORUN GİDERME

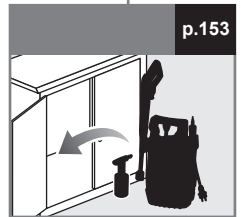
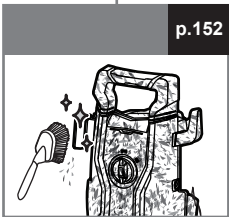
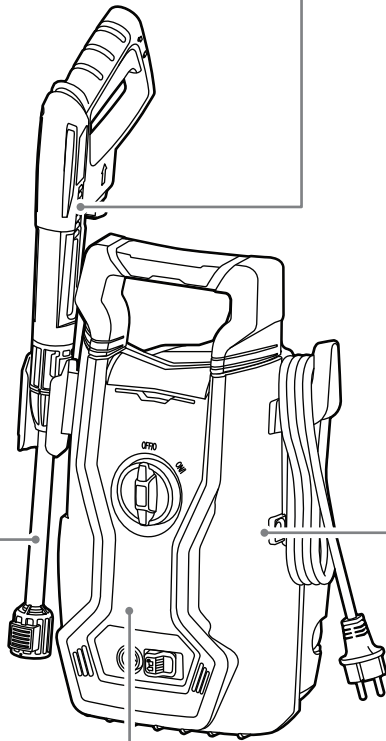
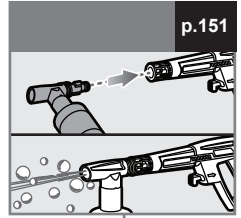
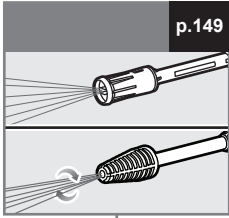
SORUN	OLASI NEDENİ	ÇÖZÜMÜ
Değişken basınç	Pompa hava emiyor	Hortum ve bağlantıların hava sızdırmazlığını kontrol edin.
	Kirli, aşınmış veya sıkışmış valfler	Servis için ürünü onarım amacıyla size en yakın yetkili servis merkezi'ne göndermenizi öneriyoruz.
	Aşınmış pompa contaları	Servis için ürünü onarım amacıyla size en yakın yetkili servis merkezi'ne göndermenizi öneriyoruz.
Makine duruyor	Termal sensör etkinleştirilmiş	Soğuması için temizleyiciyi 15 dakika bırakın.
	Nozül kısmen tıkalı	Nozülü temizleyin.
Ürün titreşimi	Hortum/pompada hava var	Düzgün çalışma basıncına erişene dek ürünü tetik açık bir şekilde çalıştırın.
	Yetersiz ana su tedariki	Su kaynağının gerekli spesifikasyonlara uygun olup olmadığını kontrol edin (model etiketine bakın). Uzun, ince hortum kullanmayın.
	Nozül kısmen tıkalı	Nozülü temizleyin.
	Su filtresi tıkalı	Filtreyi temizleyin.
	Hortum kıvrılmış	Hortumu düzeltin.
Ürün çalışıyor ama su gelmiyor	Donmuş pompa/hortumlar ve aksesuar	Pompa, hortum ya da diğer aksesuarların çözülmesini bekleyin.
	Su tedariki yok	Su giriş yuvasını su kaynağına bağlayın.
	Su filtresi tıkalı	Filtreyi temizleyin.
	Nozül tıkalı	Nozülü temizleyin.

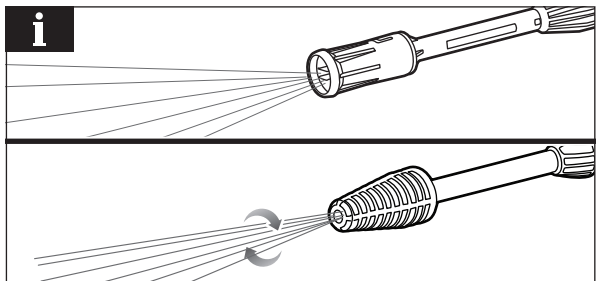
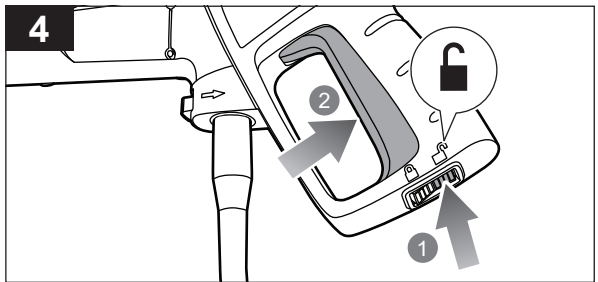
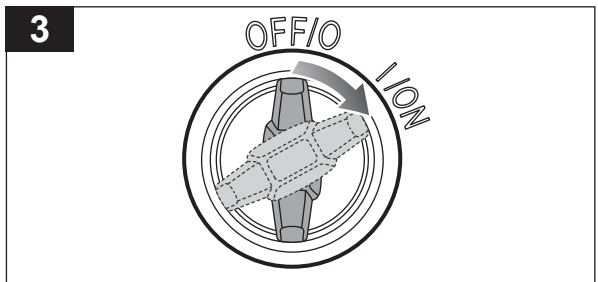
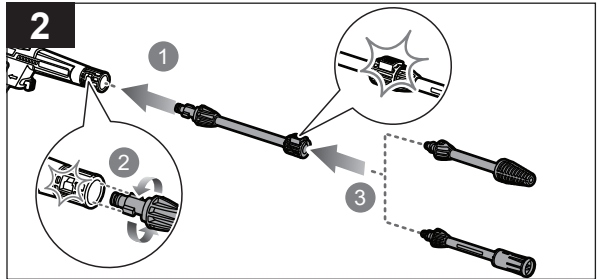
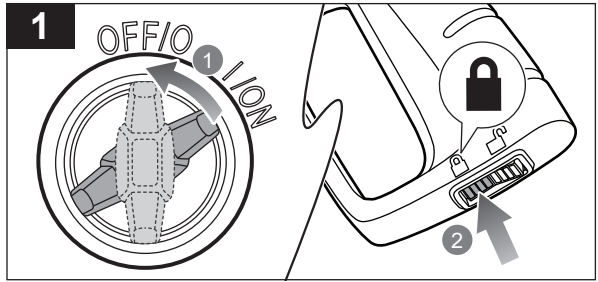
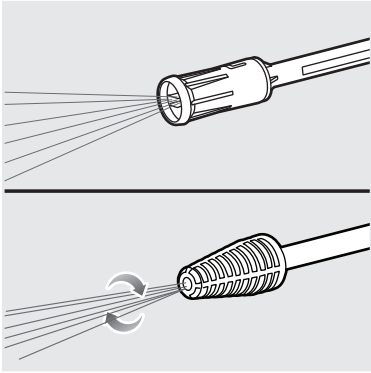
RY100PWA

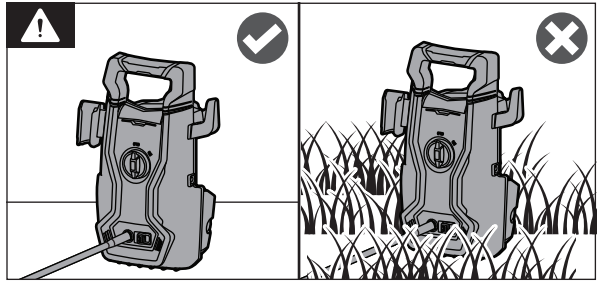
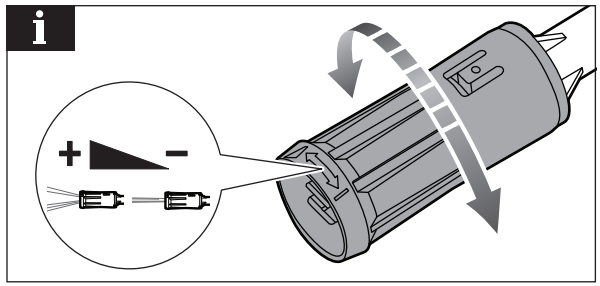


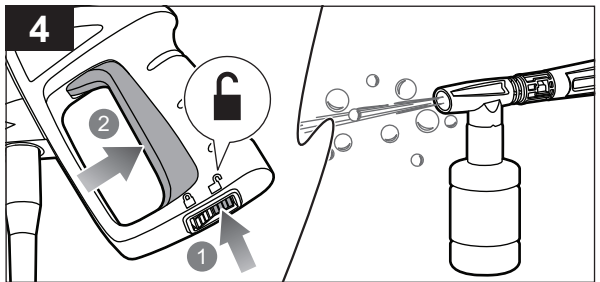
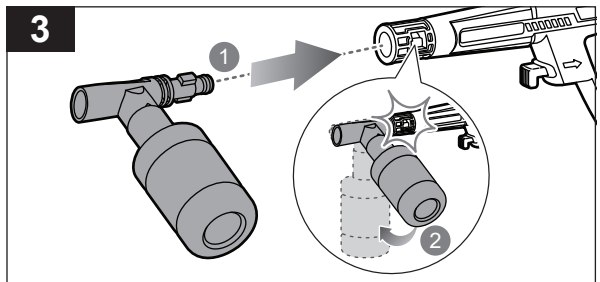
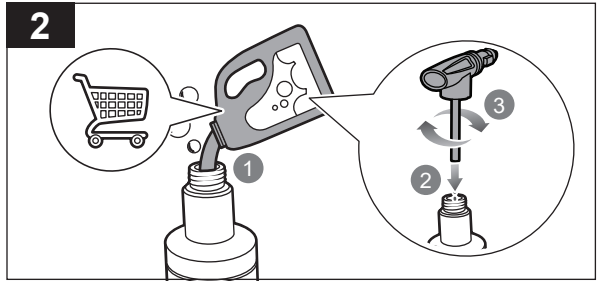
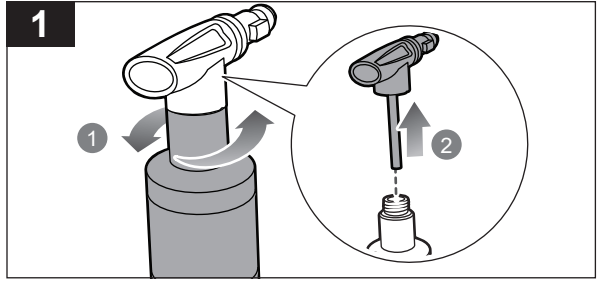
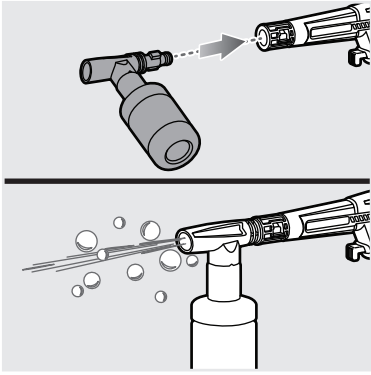


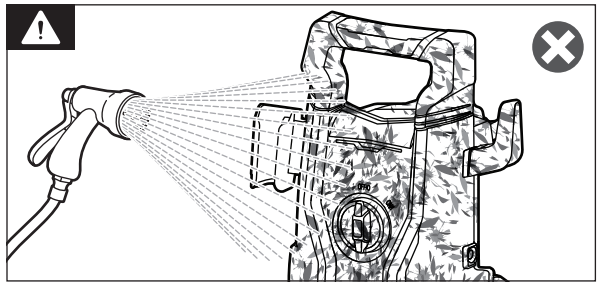
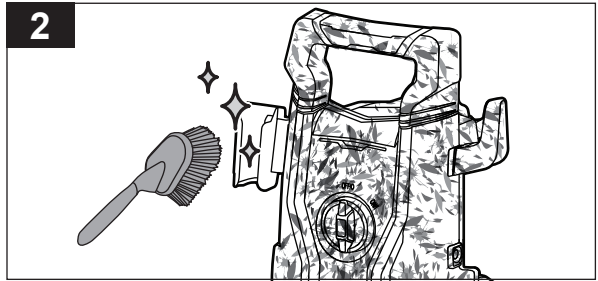
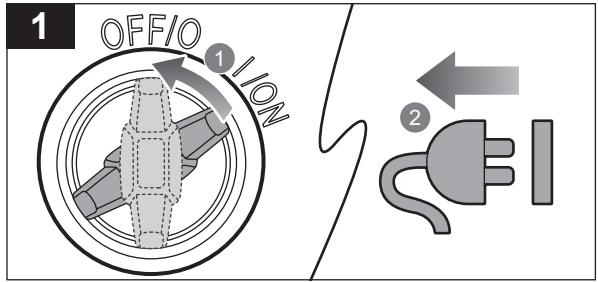


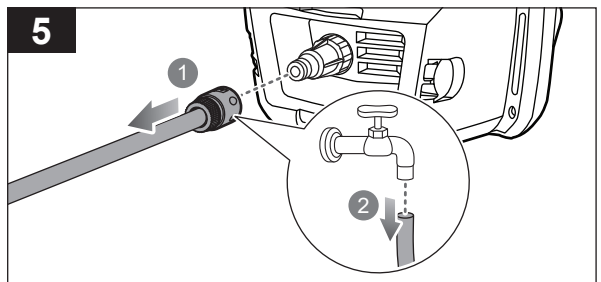
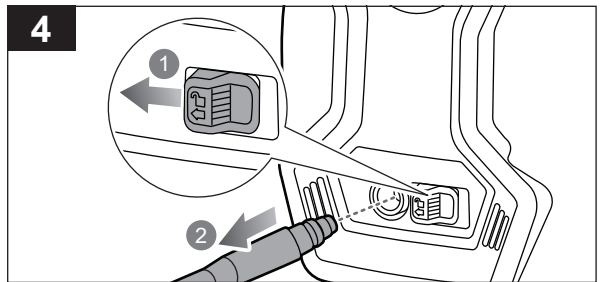
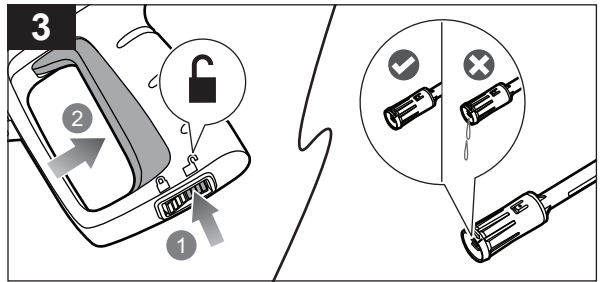
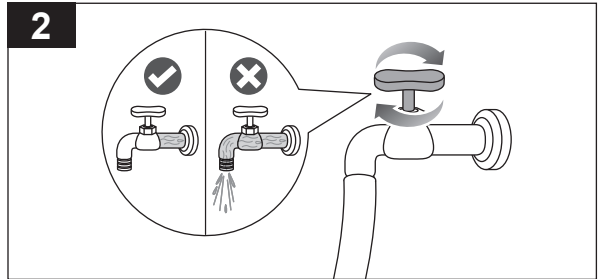
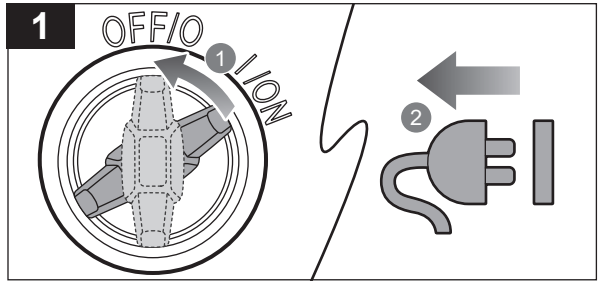


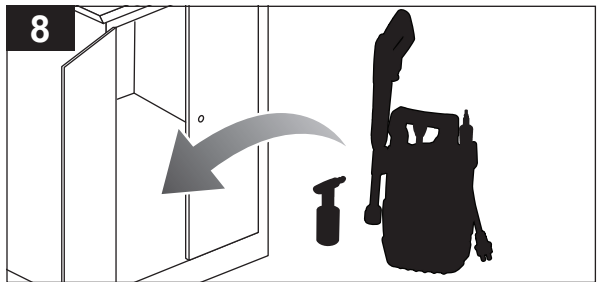
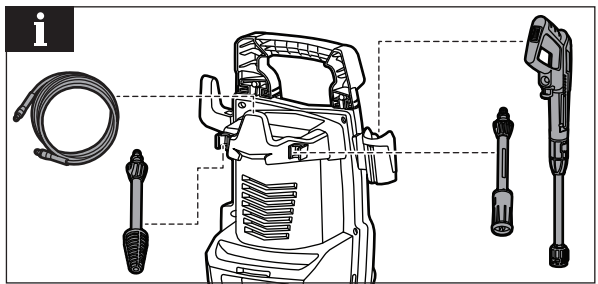
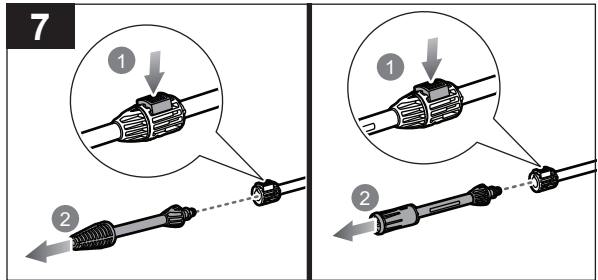
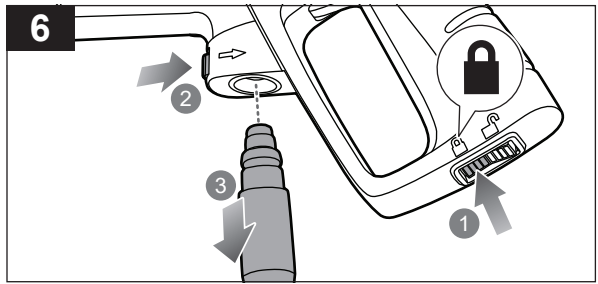














English	Français	Deutsch	Español	Italiano	Nederlands
Product specifications	Caractéristiques produit	Produkt-spezifikationen	Características del producto	Caratteristiche del prodotto	Productgegevens
Electric high pressure cleaner	Nettoyeur haute pression électrique	Elektrischer Hochdruckreiniger	Limpiadora eléctrica de alta presión	Pulitore elettrico ad alta pressione	Elektrische hogedrukreiniger
Model	Modèle	Modell	Modelo	Modello	Model
Rated voltage	Tension nominale	Nennspannung	Tensión nominal	Voltaggio nominale	Toegekende spanning
Frequency	Fréquence	Frequenz	Frecuencia	Frequenza	Frequentie
Power	Sous tension	Leistung	Conectado	Sotto tensione	Apparaat onder stroom
Maximum pressure	Pression maximale	Maximaler Druck	Presión máxima	Pressione massima	Maximale druk
Rated pressure	Pression nominale	Neendruck	Presión nominal	Pressione nominale	Beoordeelde druk
Degree of protection	Indice de protection	Schutzart	Grado de protección	Grado di protezione	Beschermgraad
Rated flow	Flux nominal	Nennfluss	Flujo nominal	Portata nominale	Beoordeeld debiet
Maximum flow	Débit maximal	Maximaler Durchfluss	Flujo máximo	Portata massima	Maximale debiet
Maximum inlet water pressure	Pression maximale de l'eau en entrée	Maximaler Eingangs-Wasserdruck	Presión máxima del agua de entrada	Pressione massima dell'acqua in ingresso	Maximale ingaande waterdruk
Power cord length	Longueur du câble d'alimentation	Länge des Netzkabels	Longitud del cable de alimentación	Lunghezza cavo di alimentazione	Lengte stroomsnoer
Sound pressure level (L_{pA}) (in accordance with EN 60335-2-79)	Niveau de pression acoustique (L_{pA}) (selon EN 60335-2-79)	Schalldruckpegel (L_{pA}) (nach EN 60335-2-79)	Nivel de presión acústica (L_{pA}) (de acuerdo con la norma EN 60335-2-79)	Livello pressione acustica (L_{pA}) (secondo quanto indicato dalle norme EN 60335-2-79)	Geluidsdrukniveau (L_{pA}) (in overeenstemming met EN 60335-2-79)
Uncertainty	Incertitude	Unsicherheit	Incertidumbre	Incertezza	Tolerantie
Sound power level (L_{WA}) (in accordance with EN 60335-2-79)	Niveau de puissance sonore (L_{WA}) (selon EN 60335-2-79)	Schallenergiepegel (L_{WA}) (nach EN 60335-2-79)	Nivel de la potencia sonora (L_{WA}) (de acuerdo con la norma EN 60335-2-79)	Livello potenza sonora (L_{WA}) (secondo quanto indicato dalle norme EN 60335-2-79)	Geluidsniveau (L_{WA}) (in overeenstemming met EN 60335-2-79)
Uncertainty	Incertitude	Unsicherheit	Incertidumbre	Incertezza	Tolerantie
Vibration value (in accordance with EN 60335-2-79)	Niveau de vibration (selon EN 60335-2-79)	Vibrationsgrad (nach EN 60335-2-79)	Nivel de vibración (de acuerdo con la norma EN 60335-2-79)	Livello vibrazioni (secondo quanto indicato dalle norme EN 60335-2-79)	Trillingsniveau (in overeenstemming met EN 60335-2-79)
Uncertainty	Incertitude	Unsicherheit	Incertidumbre	Incertezza	Tolerantie
Weight	Poids	Gewicht	Peso	Peso	Gewicht
Maximum garden hose length	Longueur maximale: Tuyau de jardin	Maximale Länge: Gartenschlauch	Longitud máxima: Manguera de jardín	Lunghezza massima: tubo da giardino	Maximale lengte: Tuinslang
Minimum garden hose diameter	Diamètre minimum: Tuyau de jardin	Minimaler Durchmesser: Gartenschlauch	Diámetro mínimo: Manguera de jardín	Diametro minimo: tubo da giardino	Minimale diameter: Tuinslang



Português	Dansk	Svenska	Suomi	Norsk	Русский	
Características do aparelho	Produktspecifikationer	Produktspecifikationer	Tuotteen tekniset tiedot	Produktspesifikasjoner	Характеристики изделия	
Lavadora de alta pressão eléctrica	Elektrisk højtryksrensler	Elektrisk högtryckstvätt	Sähköinen korkeapainepesuri	Elektrisk høytrykkspsyler	Электрический очиститель высокого давления	
Modelo	Model	Modell	Malli	Modell	Модель	RY100PWA / RY110PWA
Tensão nominal	Mærkespænding	Spänning	Nimellisjännite	Nominell spenning	Номинальное напряжение	220 - 240 V
Frequência	Frekvens	Frekvens	Taajuus	Frekvens	Частота	50 Hz
Em tensão	Strøm til stede	Under spänning	Jännite	Strømtilførsel	Под напряжением	1400 W
Pressão máxima	Maksimaltryk	Maximalt tryck	Maksimipaine	Maksimalt trykk	Максимальное давление	10 MPa (100 bar) / 11 MPa (110 bar)
Pressão nominal	Dimensioneringstryk	Nominellt tryck	Nimellispain	Nominelt trykk	Номинальное давление	8 MPa (80 bar)
Grau de protecção	Beskyttelsesklasse	Grad av skydd	Suojausluokka	Grad av beskyttelse	Класс защиты	IPX5
Caudal nominal	Specificeret gennemstrømning	Nominellt flöde	Nimellisvirtaus	Nominell vannstrøm	Номинальная пропускная способность	5,5 L/min
Caudal máximo	Maksimal gennemstrømning	Maximalt flöde	Suurin virtausmäärä	Maksimal strømning	Максимальная подача	6,5 L/min
Pressão máxima da água de entrada	Maksimalt vandindløbstryk	Maximalt ingående vattentryck	Suurin sallittu vedenpaine	Maksimalt innmatingsvanntrykk	Максимальное давление воды на впуске	1,2 MPa (12 bar)
Comprimento do cabo de alimentação	Strømforsyningskabelts længde	Strömkabelns längd	Virtajohdon pituus	Strømkabellengde	Длина шнура питания	5 m
Nível de pressão sonora (L_{pA}) (de acordo com a norma EN 60335-2-79)	Lydtryksniveau (L_{pA}) (i henhold til EN 60335-2-79)	Ljudtrycknivå (L_{pA}) (i enlighet med EN 60335-2-79)	Äänepainetaso (L_{pA}) (standardin EN 60335-2-79 -standardin mukaan)	Lydtryknivå (L_{pA}) (i henhold til EN 60335-2-79)	Акустическое давление (L_{pA}) (в соответствии со стандартом EN 60335-2-79)	73,5 dB(A)
Incerteza	Usikkerhed	Osäkerhet	Epävarmuus	Usikkerhet	Неопределенность	3 dB
Nível da potência sonora (L_{WA}) (de acordo com a norma EN 60335-2-79)	Lydeffektniveau (L_{WA}) (i henhold til EN 60335-2-79)	Ljudnivå (L_{WA}) (i enlighet med EN 60335-2-79)	Ääniteho (L_{WA}) (standardin EN 60335-2-79 -standardin mukaan)	Lydeffektnivå (L_{WA}) (i henhold til EN 60335-2-79)	Уровень звуковой мощности (L_{WA}) (в соответствии со стандартом EN 60335-2-79)	87,5 dB(A)
Incerteza	Usikkerhed	Osäkerhet	Epävarmuus	Usikkerhet	Неопределенность	3 dB
Nível de vibração (de acordo com a norma EN 60335-2-79)	Vibrationsniveau (i henhold til EN 60335-2-79)	Vibrationsnivå (i enlighet med EN 60335-2-79)	Tärinätaaso (standardin EN 60335-2-79 -standardin mukaan)	Vibrasjonsnivå (i henhold til EN 60335-2-79)	Уровень вибрации (в соответствии со стандартом EN 60335-2-79)	<2,5 m/s ²
Incerteza	Usikkerhed	Osäkerhet	Epävarmuus	Usikkerhet	Неопределенность	1,5 m/s ²
Peso	Vægt	Vikt	Paino	Vekt	Вес	5,63 kg
Comprimento máximo: Mangueira de jardim	Maks. længde: Haveslange	Maximal längd: Trädgårdsslang	Maksimipituus: Puutarhaletku	Maks lengde: Hageslange	Максимальная длина: Садовый шланг	15 m
Diâmetro mínimo: Mangueira de jardim	Min. diameter: Haveslange	Minsta diameter: Trädgårdsslang	Minimihalkaisija: Puutarhaletku	Minste diameter: Hageslange	Минимальный диаметр: Садовый шланг	18 mm (3/4 in.)





Polski	Čeština	Magyar	Română	Latviski	Lietuviškai	Eesti
Parametry techniczne	Technické údaje produktu	Termék műszaki adatai	Specificațiile produsului	Produkta specifikācijas	Gaminio techninės savybės	Toote tehnilised andmed
Elektryczna myjka ciśnieniowa	Elektrický vysokotlaký čistič	Elektromos nagynyomású tisztító	Curățitor electric de înaltă presiune	Elektriskais augstspiediena mazgātājs	Elektrinis aukšto slėgio valytuvas	Elektriline survepesur
Model	Model	Tipus	Model	Modelis	Modelis	Mudel
Napięcie znamionowe	Jmenovité napětí	Névleges feszültség	Tensiunea nominală	Nominālais spriegums	Nominali įtampa	Nimipinge
Częstotliwość	Frekvence	Frekvencia	Frecvență	Frekvence	Dažnis	Sagedus
Pod napięciem	Pod napětím	Feszültség alatt	Sub tensiune	Barošana	Energija	Toide
Ciśnienie maksymalne	Maximální tlak	Legnagyobb nyomás	Presiune maximă	Maksimālais spiediens	Maksimalus slėgis	Maksimaalne surve
Ciśnienie znamionowe	Jmenovitý tlak	Névleges nyomás	Presiune nominală	Nominālais spiediens	Nominalus slėgis	Nimirõhk
Stopień ochrony	Stupeň krytí	Védelem foka	Gradul de protecție	Aizsardzības pakāpe	Apsaugos laipsnis	Kaitseklass
Znamionowe natężenie przepływu	Jmenovitý průtok	Névleges áramlás	Debit nominal	Nominālā plūsma	Vardinis srutas	Nominaalne vooluhulk
Maksymalne natężenie przepływu	Maximální proud	Legnagyobb áramlás	Debit maxim	Maksimālā plūsma	Maksimalus srutas	Maksimaalne voolavus
Maksymalne ciśnienie wody na wlocie	Maximální vstupní tlak vody	Maximális bemeneti víznyomás	Presiune maximă de aspirare apă	Maksimālais ūdens padeves spiediens	Maksimalus tiekiamo vandens slėgis	Sissetuleva vee maksimaalne rõhk
Długość przewodu zasilającego	Délka napájecího kabelu	Tápkábel hossza	Lungime cablu de alimentare	Strāvas vada garums	Maitinimo laido ilgis	Toitejuhtme pikkus
Poziom ciśnienia akustycznego (L_{pwa}) (zgodnie z normą EN 60335-2-79)	Úroveň akustického tlaku (L_{pwa}) (v souladu s EN 60335-2-79)	Hangnyomás szintje (L_{pwa}) (a EN 60335-2-79 szerint)	Nivel de presiune acustică (L_{pwa}) (în conformitate cu EN 60335-2-79)	Skaņas spiediena līmenis (L_{pwa}) (saskaņā ar EN 60335-2-79)	Akustinio slėgio lygis (L_{pwa}) (pagal EN 60335-2-79)	Helirõhk (L_{pwa}) (vastavalt standardile EN 60335-2-79)
Niepiewność	Nepřesnost	Bizonytalanság	Incertitudine	NeNOTEIKTĪBA	Paklaida	Määramatus
Poziom natężenia akustycznego (L_{wva}) (zgodnie z normą EN 60335-2-79)	Hladina akustického výkonu (L_{wva}) (v souladu s EN 60335-2-79)	Hangteljesítményszint (L_{wva}) (a EN 60335-2-79 szerint)	Nivel de putere a zgomotului (L_{wva}) (în conformitate cu EN 60335-2-79)	Skaņas jaudas līmenis (L_{wva}) (saskaņā ar EN 60335-2-79)	Garso galingumo lygis operatoriaus ausims (L_{wva}) (pagal EN 60335-2-79)	Helivõimsuse tase (L_{wva}) (vastavalt standardile EN 60335-2-79)
Niepiewność	Nepřesnost	Bizonytalanság	Incertitudine	NeNOTEIKTĪBA	Paklaida	Määramatus
Poziom vibracji (zgodnie z normą EN 60335-2-79)	Úroveň vibrací (v souladu s EN 60335-2-79)	Vibrációs szint (a EN 60335-2-79 szerint)	Nivel de vibrație (în conformitate cu EN 60335-2-79)	Vibrācijas līmenis (saskaņā ar EN 60335-2-79)	Vibracijos lygis (pagal EN 60335-2-79)	Vibratsioonitase (vastavalt standardi EN 60335-2-79)
Niepiewność	Nepřesnost	Bizonytalanság	Incertitudine	NeNOTEIKTĪBA	Paklaida	Määramatus
Masa	Hmotnost	Súly	Greutate	Svars	Svoris	Kaal
Długość maksymalna: Wąż ogrodowy	Maximální délka: Zahradní hadice	Maximális hossz: Locsolótömlő	Lungime maximă: Furtun de grădină	Maksimālais garums: Dārza šļūtene	Maksimalus ilgis: Sodo žarna	Maksimaalne pikkus: Aiavoolik
Średnica minimalna: Wąż ogrodowy	Minimální průměr: Zahradní hadice	Minimális átmérő: Locsolótömlő	Diametru minim: Furtun de grădină	Minimālais diametrs: Dārza šļūtene	Minimalus skersmuo: Sodo žarna	Minimaalne läbimõõt: Aiavoolik





Hrvatski	Slovenščina	Slovenčina	България	Українська	Türkçe	
Specifikacije proizvoda	Specifikacije izdelka	Špecifikácie produktu	Технически характеристики	Технічні характеристики пристрою	Ürün teknik özellikleri	
Električni visokotlačni čistač	Električni visokotlačni čistilec	Elektrický vysokotlakový čistič	Електрическа почистваща машина под високо налягане	Електрична мийка високого тиску	Elektrikli yüksek basınçlı temizleyici	
Model	Model	Modelis	Модел	Модель	Model	RY100PWA / RY110PWA
Nazivni napon	Nazivna napetost	Menovité napätie	Номинален волтаж	Номинальна напруга	Nominal voltaj	220 - 240 V
Frekvencija	Frekvencija	Frekvencia	Честота	Частота	Frekans	50 Hz
Pod naponom	Moč	Zapnuté	Захранване	Потужність	Güç	1400 W
Maksimalni tlak	Najvišji tlak	Maximálny tlak	Максимално налягане	Максималний тиск	Maksimum basınç	10 MPa (100 bar) / 11 MPa (110 bar)
Nazivni tlak	Nazivni tlak	Menovitý tlak	Номинално налягане	Номинальний тиск	Ölçülmüş basınç	8 MPa (80 bar)
Stupanj zaštite	Stopnja zaščite	Stupeň ochrany	Степен на защита	Рівень захисту	Koruma derecesi	IPX5
Nazivni protok	Nazivni pretok	Menovitý prietok	Номинален разход	Номинальний потік	Ölçülmüş akış	5,5 L/min
Maksimalni protok	Največji pretok	Maximálny prietok	Максимален дебит	Максималний потік	Maksimum akış	6,5 L/min
Maksimalni ulazni tlak vode	Najvišji tlak vode na dotoku	Maximálny tlak vody na prívode	Максимално налягане на входящата вода	Макс. Впуский тиск води	Maks. Giriş su basıncı	1,2 MPa (12 bar)
Duljina kabela za napajanje	Dolžina napajalnega kabla	Dĺžka napájacieho kábla	Дължина на захранващия кабел	Довжина кабелю	Güç kablosu uzunluğu	5 m
Razina pritiska zvuka (L_{pA}) (u skladu s EN 60335-2-79)	Raven zvočnega tlaka (L_{pA}) (skladno z EN 60335-2-79)	Úroveň akustického tlaku (L_{pA}) (podľa normy EN 60335-2-79)	Ниво на шумово налягане (L_{pA}) (в съответствие с EN 60335-2-79)	Рівень звукового тиску (L_{pA}) (відповідно до EN 60335-2-79)	Ses basıncı seviyesi (L_{pA}) (EN 60335-2-79 uyarınca)	73,5 dB(A)
Nesigurnost	Negotovost	Neistota	Неопределеност	Відхилення	Belirsizlik	3 dB
Razina zvučne snage (L_{WA}) (u skladu s EN 60335-2-79)	Raven zvočne moči (L_{WA}) (skladno z EN 60335-2-79)	Hladina akustického výkonu (L_{WA}) (podľa normy EN 60335-2-79)	Ниво на шумово налягане (L_{WA}) (в съответствие с EN 60335-2-79)	Рівень звукової потужності (L_{WA}) (відповідно до EN 60335-2-79)	Ses gücü seviyesi (L_{WA}) (EN 60335-2-79 uyarınca)	87,5 dB(A)
Nesigurnost	Negotovost	Neistota	Неопределеност	Відхилення	Belirsizlik	3 dB
Razina vibracija (u skladu s Dodatkom B EN 60335-2-79)	Nivo vibracij (skladno z EN 60335-2-79)	Úroveň vibrácií (podľa normy EN 60335-2-79)	Ниво на вибрациите (в съответствие с EN 60335-2-79)	Рівень вібрації (відповідно до EN 60335-2-79)	Titreşim seviyesi (EN 60335-2-79 uyarınca)	<2,5 m/s ²
Nesigurnost	Negotovost	Neistota	Неопределеност	Відхилення	Belirsizlik	1,5 m/s ²
Težina	Teža	Hmotnosť	Тегло	Вага	Ağırlık	5,63 kg
Maksimalna duljina: Vrtno crijevo	Največja dolžina: Vrtna cev za zalivanje	Maximálna dĺžka: Záhradná hadica	Максимална дължина: Градински маркуч	Максимална довжина: Садовий шланг	Maksimum uzunluk: Bahçe hortumu	15 m
Minimalni promjer: Vrtno crijevo	Najmanjši premer: Vrtna cev za zalivanje	Minimálny priemer: Záhradná hadica	Минимален диаметър: Градински маркуч	Мінімальний діаметр: Садовий шланг	Minimum çap: Bahçe hortumu	18 mm (3/4 in.)



English	Français	Deutsch	Español	Italiano	Nederlands
Accessories	Accessoires	Zubehör	Accesorios	Accessori	Accessoires
Stone Detergent	Détergent pour pierres	Steinreiniger	Detergente para piedra	Detergente per la pietra	Reinigingsmiddel voor steen
Foam Detergent	Détergent moussant	Schaumreiniger	Detergente de espuma	Detergente schiuma	Schuimvormend reinigingsmiddel
Universal Detergent	Détergent universel	Universalsreinigungsmittel	Detergente universal	Detergente universale	Universeel reinigingsmiddel
Wood Detergent	Détergent pour bois	Holzreiniger	Detergente para madera	Detergente per il legno	Reinigingsmiddel voor hout
Syphoning kit	Kit de syphonage	Absaugungssset	Kit de sifón	Kit sifone	Afzuigset
Surface cleaner	Nettoyeur de surface	Oberflächenreiniger	Limpiadora de superficies	Puliscisuperfici	Oppervlaktereiniger
Fixed/Multipurpose brush	Brosse fixe/multi-usage	Feststehende/ Mehrzweckbürste	Cepillo fijo/multiusos	Spazzola fissa/multiuso	Vaste/multifunctionele borstel
Foam detergent bottle	Bouteille de détergent moussant	Schaumreinigerflasche	Botella para detergente de espuma	Flacone di detergente in schiuma	Flacon met schuimvormend reinigingsmiddel
Vario lance	Lance Vario	Variolanze	Lanza Vario	Lancia Vario	Variolans
Turbo lance	Lance Turbo	Turbolanze	Lanza turbo	Lancia turbo	Turbolans
Steel-armed hose	Tuyau à armature en acier	Mit Stahl versehener Schlauch	Manguera reforzada con acero	Tubo armato in acciaio	Slang met stalen mantel
Adaptor *	Adaptateur *	Adapter *	Adaptador *	Adattatore *	Adapter *
Water inlet filter	Filtre d'arrivée d'eau	Wassereinflussfilter	Filtro de entrada de agua	Filtro dell'acqua in ingresso	Watertoevoerfilter
Rotary brush	Brosse rotative	Rotationsbürste	Cepillo rotatorio	Spazzola rotante	Draaiende borstel
Pipe cleaning hose	Tuyau de nettoyage de conduite	Rohrreinigungsschlauch	Manguera de limpieza de tubos	Tubo flessibile per pulizia tubi	Pijpreinigingslang
O-rings	Joints toriques	O-Ringe	Juntas tóricas	O-ring	O-ringen
Adaptor (previous range accessory to current product)	Adaptateur (accessoire de l'ancienne gamme au produit actuel)	Adapter (Zubehörteil des vorherigen Sortiments zum aktuellen Produkt)	Adaptador (accesorio de una gama anterior para un producto actual)	Adattatore (accessorio di gamma precedente al prodotto corrente)	Adapter (accessoire uit de vorige serie voor het huidige product)
Adaptor (current range accessory to previous product)	Adaptateur (accessoire de la gamme actuelle au produit précédent)	Adapter (Zubehörteil des aktuellen Sortiments zum Vorgängerprodukt)	Adaptador (accesorio de una gama actual para un producto anterior)	Adattatore (accessorio di gamma corrente al prodotto precedente)	Adapter (accessoire voor de huidige serie bij het vorige product)
*Compatible adaptor for KÄRCHER pressure cleaner accessories.	*Adaptateur compatible pour les accessoires des nettoyeurs sous pression KÄRCHER.	*Kompatibler Adapter für Zubehör für KÄRCHER Hochdruckreiniger.	*Adaptador compatible para los accesorios de las limpiadoras a presión KÄRCHER.	*Adattatore compatibile con gli accessori del pulitore ad alta pressione KÄRCHER.	*Compatibele adapter voor onderdelen voor drukreinigers van KÄRCHER
NOTE: Check the specification of the accessory part if it matches the specifications of the RYOBI high pressure cleaner.	REMARQUE: Consulter les spécifications de la pièce de l'accessoire pour vérifier que celle-ci est compatible avec celles du nettoyeur haute pression RYOBI.	HINWEIS: Prüfen Sie, ob die Spezifikationen des Zubehörteils den Spezifikationen des RYOBI Hochdruckreinigers entsprechen.	NOTA: Consulte las especificaciones del accesorio para comprobar si es compatible con las especificaciones de la limpiadora de alta presión de RYOBI.	NOTA: Controllare che le specifiche dell'accessorio corrispondano con quelle del pulitore ad alta pressione RYOBI.	OPMERKING: Controleer of de specificatie van het onderdeel overeenkomt met de specificaties van de RYOBI hogedrukreiniger.



Português	Dansk	Svenska	Suomi	Norsk	Русский	
Acessórios	Tilbehør	Tillbehör	Lisälaitteet	Tilbehør	Принадлежности	
Detergente para Pedra	Stenrejemiddel	Rengöringsmedel för sten	Kivipesuaine	Steinrengjøringsmiddel	Средство для очистки каменных поверхностей	RAC731
Detergente em espuma	Skumrensemiddel	Skumrengöringsmedel	Vaahopesuaine	Skumrengjøringsmiddel	Пенный очиститель	RAC732
Detergente Universal	Universalsrensemiddel	Universalrengöringsmedel	Yleispesuaine	Universalt rengjøringsmiddel	Универсальное чистящее средство	RAC733
Detergente para Madeira	Trærensemiddel	Rengöringsmedel för trä	Puupesuaine	Trerengjøringsmiddel	Средство для очистки деревянных поверхностей	RAC734
Kit para sifões	Hævertsaet	Uppsugningsatts	Sifonisarja	Sifongsett	Комплект сифона	RAC769
Acessório de limpeza de superfícies	Overfladerenser	Yt rengörare	Pintapuhdistin	Overflaterengjører	Очиститель поверхностей	RAC772
Escova fixa/multiusos	Fast multifunktionsbørste	Fast/multifunktionsborste	Kiinteä/ Monikäyttöharja	Fast/Universalbørste	Неподвижная/ Универсальная щетка	RAC774
Garrafa de detergente de espuma	Flaske med skumrensemiddel	Skumrengöringsmedelflaske	Vaahopesuainepullo	Skumrengjøringsflaske	Бутылка для пенного очистителя	RAC775
Lança Vario	Vario-lanse	Variolans	Muuttuvapituksinen varsi	Variolanse	Регулируемая форсунка	RAC777
Lança Turbo	Turbolanse	Turbolans	Turbovarsi	Turbolanse	Турбо-форсунка	RAC778
Tubo com braço de aço	Stålarmeret slange	Stålarmed slang	Teräsvahvisteinen letku	Stålarmeret slange	Шланг армированный сталью	RAC779
Adaptador *	Adapter *	Adapter *	Sovitin *	Adapter *	Переходник *	RAC780
Filtro da entrada de água	Vandindløbsfilter	Filter för vatteninlopp	Tulovesisuodatin	Vanninntaksfilter	Фильтр впускного отверстия для воды	RAC784
Escova rotativa	Roterende børste	Roterande borste	Pyörivä harja	Roterende børste	Поворотная щетка	RAC785
Tubo para limpeza de canos	Rengøringslange til rør	Rörrengöringslang	Putkenpuhdistusletku	Rørrengjøringslange	Шланг для прочистки труб	RAC786
O-rings	O-ringe	O-ringar	O-renkaat	O-ringer	Уплотнительные кольца	RAC788
Adaptador (acessório da gama anterior para o produto atual)	Adapter (tidligere udvalgt af tilbehør til det aktuelle produkt)	Adapter (tidigare sortimentsstillbehör till aktuell produkt)	Sovitin (edellisen valikoiman lisävarusteiden nykyiseen tuotteeseen)	Adapter (tidligere tilbehør til gjeldende produkt)	Переходник (с принадлежности предыдущей линейки на текущий продукт)	RAC790
Adaptador (acessório para o produto anterior)	Adapter (nåværende udvalgt af tilbehør til tidligere produkt)	Adapter (nuvarande sortimentsstillbehör till föregående produkt)	Sovitin (nykyisen valikoiman lisävarusteiden edelliseen tuotteeseen)	Adapter (nåværende tilbehør til tidligere produkt)	Переходник (с принадлежности текущей линейки на предыдущий продукт)	RAC791
*Adaptador compatível para acessórios de lavadora de KÄRCHER.	*Kompatibel adapter til KÄRCHER trykrenser/tilbehør.	*Kompatibel adapter för KÄRCHER tillbehör till högttryckstvättar.	*KÄRCHER-painepesurin lisävarusteiden kanssa yhteensopiva sovitin.	*Kompatibel adapter for KÄRCHER høytrykksspylertilbehør.	*Совместимый адаптер для принадлежностей мойки под давлением KÄRCHER.	
NOTA: Verifique e certifique-se de que as especificações do acessório correspondem às especificações da lavadora de alta pressão RYOBI.	BEMÆRK: Kontrollér specifikationen for tilbehørsdelen for at se, om den svarer til specifikationerne på RYOBI højtryksrenser.	OBS: Kontrollera tillbehörsdelens specifikation för att se om det passar specifikationerna för RYOBI högttryckstvätt.	HUOMAUTUS: Varmista lisävarusteiden eritelmistä, että se on RYOBI-painepesurin kanssa yhteensopiva.	MERK: Kontrollér spesifikasjonen på tilbehørsdelen om den stemmer overens med spesifikasjonene til RYOBI høytrykksspyler.	ПРИМЕЧАНИЕ: Убедитесь в том, что спецификация вспомогательной детали совпадает со спецификацией очистителя высокого давления RYOBI.	





Polски	Čeština	Magyar	Română	Latviski	Lietuviškai	Eesti
Aksesoria	Příslušenství	Kiegészítők	Accesorii	Piederumi	Priedai	Tarvikud
Detergent do kamienia	Čističí prostředek na kámen	Kővetet-tisztítószér	Detergent pentru suprafețe de piatră	Mazgāšanas līdzeklis akmeņim	Akmens ploviklis	Kivipuhastusvahend
Detergent pieniący się	Pěnívny čističí prostředek	Habos tisztítószér	Detergent cu spumare	Putojošs mazgāšanas līdzeklis	Putojantis ploviklis	Vahutav puhastusvahend
Detergent uniwersalny	Univerzální čističí prostředek	Univerzális tisztítószér	Detergent universal	Universālais mazgāšanas līdzeklis	Universālais ploviklis	Universaalne puhastusvahend
Detergent do drewna	Čističí prostředek na dřevo	Fatisztítószér	Detergent pentru lemn	Mazgāšanas līdzeklis kokam	Medienos ploviklis	Puidupuhastusvahend
Zestaw do syfonowania	Sada trysek	Szivócsó készlet	Kit de sifonare	Sifona komplekts	Sifonų valymo komplektas	Imikomplekt
Końcówka do mycia powierzchni	Čističí povrchů	Felülettisztító	Cap de curățare a suprafețelor	Virsmas mazgātājs	Paviršiu valytuvus	Pinnapuhastaja
Szczotka nieruchoma/unwersalna	Pevný/univerzální kartáč	Rögzített/többcélú kefe	Perie fixă/multifuncțională	Nekustīgā/plaša pielietojuma birste	Fiksuojamasis / universalus šepetys	Pesuhari / Mitmeotstarbeline hari
Butelka na detergent pieniący się	Lahev na pěňivny čističí přípravek	Tisztítóhabos palack	Sticlă de detergent cu spumare	Putojošā mazgāšanas līdzekļa pudele	Skystojo ploviklio indas	Vahutava puhastusvahendi pudel
Lanca Vario	Vario tryska	Vario gőzborotva	Lansator vario	Maināmas strūkles uzgalis	Universalusis antgalis	Variopüstol
Lanca turbo	Turbo tryska	Turbo gőzborotva	Lansator turbo	Turbo uzgalis	Turbininis vamzdis antgalis	Turbopüstol
Wąż ze zbrojeniem stalowym	Hadice armovaná oceli	Acél erősítésű tömlő	Furtun armat cu oțel	Šūtene ar tērauda armējumu	Plienu armuota žarna	Terasega armeeritud voolik
Adapter *	Adaptér *	Adapter *	Adaptor *	Adapteris *	Adapteris *	Adapter *
Filter wlotowy wody	Vstupní vodní filtr	Vízbemenet szűrője	Filteru de alimentare cu apă	Ūdens iepļūdes filtrs	Vandens įvado filtras	Vee sisselaske filter
Szczotka obrotowa	Otočný kartáč	Forgókefe	Perie rotativă	Rotējošā birste	Sukamasis šepetys	Pöördhari
Wąż do czyszczenia rur	Hadice na čišťení potrubí	Csőtisztító tömlő	Furtun de curățare conducte	Cauruļu skalošanas šūtene	Vamzdžių valymo žarna	Toru puhastamise voolik
O-ringi	O-kroužky	O-gyűrűk	Inele O-ring	Gredzenlīves	Sandarinimo žiedai	Rõngasthendid
Adapter (akcesorium z poprzedniej serii do obecnego produktu)	Adaptér (příslušenství předchozí řady k současnému produktu)	Adapter (előző sorozat tartozéka a jelenlegi termékhez)	Adaptor (accesoriu la produsul actual din gama anterioară)	Adapteris (iepriekšējās sērijas piederumiem uz esošo produktu)	Adapteris (ankstesnio asortimento priedas prie dabartinio gaminio)	Adapter (eelmise tootesarja tarvik praegusele tootele)
Adapter (akcesorium z bieżącej serii do poprzedniego produktu)	Adaptér (příslušenství současné řady k předchozímu produktu)	Adapter (jelenlegi sorozat tartozéka egy korábbi termékhez)	Adaptor (accesoriu la produsul anterior din gama actuală)	Adapteris (pašreizējās sērijas piederumiem uz iepriekšējiem produktiem)	Adapteris (dabartinio asortimento priedas prie ankstesnio gaminio)	Adapter (praeguse tootesarja tarvik eelmisele tootele)
*Zgodny adapter do akcesoriów do myjek ciśnieniowych KÄRCHER.	*Redukce kompatibilní s doplňky k vysokotlakým KÄRCHER.	*Kompatibilis adapter a KÄRCHER nagymomású tisztító tartozékokhoz.	*Adaptor compatibil cu accesorile curățitoarelor cu presiune KÄRCHER.	*Savietojams adapters KÄRCHER augstspiediena mazgātāju aksesuāriem.	*Suderinamas adapteris, skirtas KÄRCHER slėginio valymo įrenginio priedams prijungti.	*Ühilduv adapter KÄRCHERi survepesuri tarvikutele.
UWAGA: Należy sprawdzić specyfikację akcesorium, aby upewnić się, czy spełnia ono specyfikacje myjki ciśnieniowej RYOBI.	POZNÁMKA: Zkontrolujte, zda technické vlastnosti doplňků odpovídají technickým podmínkám vysokotlakého čističe RYOBI.	MEGJEGYZÉS: Ellenőrizze a tartozék műszaki adatait, hogy megfelel-e a RYOBI nagymomású tisztító előírásainak.	NOTĂ: Verificați dacă specificațiile accesoriului se potrivesc cu cele ale curățitorului cu presiune RYOBI.	PIEZĪME: Pārbaudiet aksesuāra daļas specifikāciju, vai tā sakrīt ar RYOBI augstspiediena mazgāšanas iekārtas specifikāciju.	PASTABA: Patikrinkite, ar papildomos dalies specifikacija atitinka RYOBI aukšto slėgio valymo įrenginio specifikacijas.	MÄRKUS: Kontrollige lisatarvikute tehnilisest kirjeldusest, kas see sobib RYOBI kõrgsurvepesuri spetsifikatsiooniga.





Hrvatski	Slovenščina	Slovenčina	България	Українська	Türkçe	
Pribor	Dodatki	Prisluženstvo	Приспособления	Приладдя	Aksesuarlar	
Deterđzent za čišćenje kamena	Detergent za kamen	Detergent na čistenie kameña	Препарат за камък	Миочий засіб для каміння	Taş Deterjanı	RAC731
Deterđzent s pjenom	Peneći se detergent	Penový detergent	Препарат за пяна	Миочий засіб	Köpüklü Deterjan	RAC732
Univerzalni deterđzent	Univerzalni detergent	Univerzálny detergent	Универсален препарат	Універсальний миочий засіб	Universal Deterjan	RAC733
Deterđzent za čišćenje drvenih površina	Detergent za les	Detergent na čistenie dreva	Препарат за дърво	Миочий засіб для деревини	Ahşap Deterjanı	RAC734
Komplet za sifoniranje	Komplet za odsesavanje	Súprava na čistenie odsávanie	Набор за сифони	Набір для сифону	Çekme Kiti	RAC769
Čistač površina	Čistilec površin	Povrchový čistič	Устройство за почистване на повърхности	Очишувач поверхнохъ	Yüzey Temizleyici	RAC772
Fiksna/višenamjenska četka	Fiksna/večnamenska krtača	Pevne namontovaná/viacúčelová kefa	Фиксирана/мултифункционална четка	Нерухома/багатоцільова щітка	Sabit/Çok amaçlı fırça	RAC774
Boca pjenastog deterđzenta	Plastenka s penećim se detergentom	Fľaša na penový detergent	Бутилка за препарат за пяна	Смність для пінного мийного засобу	Köpüklü deterjan şişesi	RAC775
Vario koplje	Nastavljiva krtača	Vario tyčka	Регулируем струйник	Насадка Vario lance	Vario üfleme borusu	RAC777
Turbo koplje	Turbo šoba	Turbo tyčka	Турбо струйник	Насадка Turbo lance	Turbo üfleme borusu	RAC778
Crijevo s čeličnim okloпом	Jecklena cev	Nadica vyzuštená oceľou	Армиран със стомана маркуч	Армований шланг	Çelik Kollu Hortum	RAC779
Adapter *	Adapter *	Adaptér *	Адаптер *	Адаптер *	Adaptör *	RAC780
Filter na ulazu vode	Filter vodnega dotoka	Filter prívodu vody	Входящ филтър за вода	Впускний фільтр для води	Su giriş filresi	RAC784
Rotacijska četka	Krožna krtača	Rotačná kefa	Въртяща се четка	Ротацияна щітка	Döner fırça	RAC785
Crijevo za čišćenje cijevi	Cevka za čišćenje cevi	Nadica na čistenie potrubí	Маркуч за почистване на тръби	Шланг для очищення труб	Boru Temizleme Hortumu	RAC786
O-prstenovi	O-obročí	O krúžky	O-пръстени	Кільця	O-ring contalar	RAC788
Adapter (pribor iz prošloga asortimana za sadašnji proizvod)	Adapter (dodatek iz prejšnje serije za trenutni izdelek)	Adaptér (prísluženstvo predchádzajúceho radu k súčasnému výrobku)	Адаптер (аксесоар от предишната гама към настоящия продукт)	Адаптер (для приєднання старих аксесуарів до виробу нової моделі)	Adaptör (mevcut ürün için önceki ürün yelpazesinde yer alan aksesuar)	RAC790
Adapter (pribor iz sadašnjeg asortimana za prethodni proizvod)	Adapter (dodatek iz trenutne serije za trenutni izdelek)	Adaptér (prísluženstvo súčasného radu k predchádzajúceму výrobku)	Адаптер (аксесоар от настоящата гама към предишния продукт)	Адаптер (для приєднання аксесуарів нової моделі до виробу нової моделі)	Adaptör (önceki ürün için mevcut ürün yelpazesinde yer alan aksesuar)	RAC791
*Kompatibilan adapter za pribor visokotlačnog čistača KÄRCHER.	*Zdrujljivi prilagojevalnik za dodatke tlačnih čistilcev KÄRCHER.	*Kompatibilný adaptér pre prísluženstvo pre tlakový čistič KÄRCHER.	*Съвместим адаптер за аксесоари за водоструйки KÄRCHER.	*Адаптер для аксесуарів для очищення під тиском KÄRCHER.	*KÄRCHER basınçlı temizlik aksesuarlarıyla uyumlu adaptör.	
NAPOМЕНА: Provjerite poklapanje se specifikacija dijela pribora sa specifikacijama visokotlačnog čistača RYOBI.	OPOMBA: Preverite, ali se tehnični podatki dodatka ujemajo s tehničnimi podatki visokotlačnega čistilca RYOBI.	POZNÁMKA: Skontrolujte, že špecifikácia prísluženstva vyhovuje špecifikáciám vysokotlakového čističa RYOBI.	ЗАБЕЛЕЖКА: Проверете дали спецификацията на съответния аксесоар съответства на спецификациите на водоструйката RYOBI.	ПРИМІТКА: Перевірте специфікацію до аксесуарів чи вони відповідають технічним характеристикам для пристроїв для чищення під високим тиском RYOBI.	NOT: RYOBI yüksek basınçlı temizleyicinin teknik özelliklerini karşılayıp karşılamađını belirlemek için aksesuar parçasının teknik özelliklerini kontrol edin.	



EN

⚠ WARNING

The declared vibration total values and the declared noise emission values given in this instruction manual have been measured in accordance with a standardised test and may be used to compare one tool with another. They may be used for a preliminary assessment of exposure.

The declared vibration and noise emission values represent the main applications of the tool. However, if the tool is used for different applications, used with different accessories, or poorly maintained, the vibration and noise emission may differ. These conditions may significantly increase the exposure levels over the total working period. An estimation of the level of exposure to vibration and noise should take into account the times when the tool is turned off or when it is running idle. These conditions may significantly reduce the exposure level over the total working period.

Identify additional safety measures to protect the operator from the effects of vibration and noise, such as maintaining the tool and the accessories, keeping the hands warm (in case of vibration), and organising work patterns.

FR

⚠ AVERTISSEMENT

Le niveau total de vibrations et le niveau total d'émissions sonores déclarés indiqués dans ce manuel d'instruction ont été mesurés selon une méthode de test normalisée et peut servir de référence pour comparer les outils entre eux. Ils peuvent servir d'évaluation préliminaire à l'exposition.

Les niveaux d'émissions sonores et de vibrations déclarés représentent les principales applications de l'outil. Toutefois, si l'outil est utilisé pour des applications différentes ou des accessoires différents, ou s'il est mal entretenu, les vibrations émises peuvent varier. Ces facteurs pourraient augmenter considérablement les niveaux d'exposition sur la durée totale d'utilisation. Une estimation du niveau d'exposition aux vibrations et du bruit doit aussi prendre en compte les périodes durant lesquelles l'outil est éteint ou lorsqu'il fonctionne à vide. Ces facteurs pourraient réduire considérablement le niveau d'exposition sur la durée totale d'utilisation.

Identifiez toute mesure de sécurité supplémentaire à observer pour protéger l'opérateur des effets des vibrations et du bruit, comme l'entretien de l'outil et des accessoires, le maintien au chaud des mains (en cas de vibrations), et l'élaboration de schémas de pulvérisation.

DE

⚠ WARNING

Die in dieser Anleitung deklarierten Gesamtwerte der Schwingungsemission und die deklarierten Werte der Geräuschemission wurden gemäß einer standardisierten Testmethode gemessen und können verwendet werden, um Werkzeuge miteinander zu vergleichen. Sie können für eine vorläufige Beurteilung der Belastung verwendet werden.

Die deklarierten Werte für Schwingungs- und Geräuschemission treffen auf die Hauptanwendung des Werkzeugs zu. Wenn jedoch das Werkzeug für verschiedene Anwendungen oder mit unterschiedlichem Zubehör genutzt wird oder schlecht gewartet ist, kann die Schwingungs- und Geräuschemission variieren. Diese Bedingungen können das Belastungsniveau über die gesamte Arbeitszeit deutlich steigern. Eine Schätzung der Schwingungsbelastung sollte auch die Zeiten berücksichtigen, in denen das Werkzeug ausgeschaltet ist oder im Leerlauf läuft. Diese Bedingungen können das Belastungsniveau über die gesamte Arbeitszeit deutlich reduzieren.

Legen Sie zusätzliche Sicherheitsmaßnahmen fest, um den Bediener vor den Auswirkungen von Schwingung und Geräuschen zu schützen, z. B. Warten des Geräts und der Zubehörteile, Warmhalten der Hände (bei Schwingung) und Organisieren der Tätigkeiten.

ES

⚠ ADVERTENCIA

Los valores totales de emisión de vibración declarados y los valores de emisiones de ruido declarados que se indican en este manual de instrucciones se han calculado según lo establecido en una prueba estandarizada y se pueden utilizar para comparar una herramienta con otra. Se pueden utilizar para una evaluación preliminar de exposición.

Los valores declarados de emisión de vibración y ruido representan las aplicaciones principales de la herramienta. No obstante, si la herramienta se utiliza para diferentes aplicaciones, con distintos accesorios o con un mantenimiento deficiente, la emisión de vibración y ruido podría diferir. Estas condiciones podrían aumentar significativamente los niveles de exposición sobre el periodo de funcionamiento total. Una estimación del nivel de exposición a la vibración y el ruido debería también tenerse en cuenta cuando la herramienta está apagada o cuando funciona a baja intensidad. Estas condiciones podrían reducir significativamente el nivel de exposición sobre el periodo de funcionamiento total.

Identifique cualquier medida de protección adicional para proteger al operario de los efectos de la vibración y el ruido, como el mantenimiento de la herramienta y los accesorios, mantener las manos calientes (en caso de vibración) y la organización de los patrones de trabajo.

IT

⚠ AVVERTENZE

Il livello di emissioni di vibrazioni riportato in questa scheda informativa è stato misurato con un metodo di prova standardizzata ed è utilizzabile per confrontare gli utensili fra di loro. Questi possono essere usati per una valutazione preliminare dell'esposizione.

I valori di emissione di rumori e vibrazioni rappresentano le principali applicazioni dello strumento. Tuttavia, se l'utensile viene utilizzato in applicazioni differenti, con differenti accessori o con scarsa manutenzione, l'emissione di vibrazioni e rumori può essere diversa. Queste condizioni possono significativamente aumentare il livello di esposizione nel periodo di lavoro totale. Una stima del livello di esposizione alle vibrazioni e ai rumori va presa in considerazione anche quando l'utensile viene spento oppure è in funzione a folle. Queste condizioni possono significativamente ridurre il livello di esposizione nel periodo di lavoro totale.

Identificare le misure di sicurezza aggiuntive per proteggere l'operatore dagli effetti di vibrazioni e rumori, come la manutenzione di strumento e accessori, mantenendo le mani calde (in caso di vibrazione) e le modalità di lavoro.

NL

⚠ WAARSCHUWING

Het gespecificeerde totale trillingswaarden en geluidsemissiewaarden in deze instructiehandleiding zijn gemeten overeenkomstig een gestandaardiseerde test en kunnen worden gebruikt om gereedschappen met elkaar te vergelijken. Ze kunnen worden gebruikt voor een voorafgaande beoordeling van blootstelling.

De gespecificeerde trillings- en geluidsemissiewaarden vertegenwoordigen de belangrijkste toepassingen van het gereedschap. Als het gereedschap echter voor andere toepassingen of met andere accessoires wordt gebruikt slecht wordt onderhouden, kunnen de trillings- en geluidsemissiewaarden afwijken. Deze omstandigheden kunnen het blootstellingsniveau over de gehele gebruiksperiode aanzienlijk verhogen. Een schatting van het niveau van blootstelling aan trillingen en geluid dient ook rekening te houden met de perioden dat het gereedschap is uitgeschakeld of is ingeschakeld maar niet wordt gebruikt. Deze omstandigheden kunnen de blootstellingsniveaus over de gehele gebruiksperiode aanzienlijk verhogen.

Stel aanvullende veiligheidsmaatregelen vast om de gebruiker te beschermen tegen de effecten van trillingen en geluid, zoals onderhoud van het gereedschap en de accessoires, het warm houden van de handen (in geval van trillingen) en het organiseren van werkpatronen.

PT

⚠ AVISO

Os valores de vibração totais declarados e o nível de emissão de ruído dado nesta ficha de informações foi medido de acordo com um teste normalizado e pode ser utilizado para fazer comparações entre ferramentas. Podem ser utilizados para uma avaliação preliminar da exposição.

O nível declarado de emissão de vibrações e ruído representa as aplicações principais da ferramenta. Contudo, se a ferramenta for utilizada para várias aplicações, com diferentes acessórios ou se receber manutenção insuficiente, a emissão de vibrações e ruído pode ser diferente. Estas condições podem aumentar significativamente o nível de exposição ao longo do período total de trabalho. Uma estimativa do nível de exposição às vibrações e ruído deverá também levar em conta os tempos que a ferramenta está desligada ou que está a funcionar mas sem estar a ser utilizada para trabalho. Estas condições podem reduzir significativamente o nível de exposição ao longo do período total de trabalho.

Identifique medidas de segurança adicionais para proteger o operador dos efeitos da vibração e ruído, tal como a manutenção da ferramenta e dos acessórios, manter as mãos quentes (em caso de vibração) e organizar padrões de trabalho.

DA

⚠ ADVARSEL

Vibrations- og støjemissionsværdierne, der er angivet i denne vejledning er målt i overensstemmelse med en standardiseret test og kan bruges til at sammenligne et værktøj med et andet. De kan bruges til en foreløbig vurdering af udsættelse.

De angivne vibrations- og støjemissionsværdier repræsenterer værktøjets hovedanvendelser. Hvis værktøjet midlertidigt anvendes til andre formål med forskellig tilbehør eller er dårligt vedligeholdt, kan vibrations- og lydmissionen afvige. Disse forhold kan i væsentlig grad forøge udsættelsesniveauet over den samlede arbejdsperiode. Et overblik over udsættelsesniveauet for vibrationer og støj bør også tage højde for de gange, hvor værktøjet er slukket, eller når det kører i tomgang. Disse forhold kan i betragteligt omfang reducere udsættelsesniveauet over den samlede arbejdsperiode.

Find yderligere sikkerhedsforanstaltninger, der kan beskytte operatøren mod virkningerne af vibrationer og støj, såsom vedligeholdelse af værktøjet og tilbehøret, holde hænderne varme (i tilfælde af vibrationer) og organisering af arbejdsmonster.

SV**⚠ VARNING**

De angivna totala vibrations- och bulleremissionsvärdena som anges i denna instruktionsmanual har uppmätts i enlighet med ett standardiserat test och kan användas för att jämföra olika verktyg. De kan användas för en preliminär bedömning av exponering.

De angivna vibrations- och bulleremissionsvärdena representerar verktygets huvudsakliga användningsområden. Om verktyget emellertid används i andra tillämpningar, med andra tillbehör eller underhålls bristfälligt, kan vibrationer och bulleremission skilja sig från de angivna. Dessa förhållanden kan öka exponeringsnivåerna under den totala arbetsperioden avsevärt. En uppskattning av exponeringsnivån för vibrationer och buller bör även ta med i beräkningen de tider då verktyget är avstängt eller när det är igång men inte används i arbete. Dessa förhållanden kan minska exponeringsnivån under den totala arbetsperioden avsevärt.

Identifiera ytterligare säkerhetsåtgärder för att skydda operatören från effekterna av vibrationer och buller, såsom att underhålla verktyget och tillbehören, hålla händerna varma (i händelse av vibrationer) och organisera arbetsmönster.

FI**⚠ VAROITUS**

Tässä ohjekäsikirjassa tänäkin annettu kokonaisarvo ja ilmoitettu melupäästöarvo on mitattu standardoiduin kokein mukaisesti, ja niitä voidaan käyttää työkalujen vertaamiseen toisiinsa. Niitä voidaan käyttää alitustumisen alustavaan arvioimiseen.

Ilmoitetut värinä- ja melupäästöarvot koskevat työkalun pääkäyttötarkoituksia. Värinäpäästö voi kuitenkin vaihdella, jos työkalua käytetään eri käyttötarkoituksiin, eri tarvikkeilla tai huonosti huollettuina. Mainitut olosuhteet saattavat nostaa alitustumistasoa huomattavasti kokonaistyöajaksi aikana. Värinän ja melun alitustumistason arviointi tulisi ottaa huomioon myös silloin, kun työkalu on kytketty pois päältä tai kun se on käynnissä, mutta sitä ei varsinaisesti käytetä. Mainitut olosuhteet saattavat vähentää huomattavasti alitustumistasoa kokonaistyöajaksi aikana.

Lisävaroitimenpiireillä, kuten työkalun ja lisävarusteiden huoltamisella, käsien lämpimänä pitämisellä (värinän tapauksessa) ja työmallien järjestämisellä, voit suojella käyttäjä värinältä ja melulta.

NO**⚠ ADVARSEL**

De erklærte totale vibrasjonsverdiene og de erklærte støytstøttsverdiene gitt i denne brukerhåndboken har blitt målt i samsvar med en standardisert test og kan brukes til å sammenligne ett verktøy med ett annet. De kan brukes for en preliminær vurdering av eksponering.

De opplyste vibrasjons- og støytstøttsverdiene representerer verktøyets hovedbruksområder. Men hvis verktøyet brukes til ulike bruksområder, brukes med ulike tilbehør eller vedlikeholdet er dårlig, kan vibrasjons- og støytstøttsverdiene forskjellig. Disse forholdene kan øke eksponeringsnivået betraktelig i løpet av hele arbeidsperioden. En vurdering av eksponeringsnivået for vibrasjon og støyt skal ta hensyn til de gangene verktøyet er slått av eller går på tomgang. Disse forholdene kan betydelig redusere eksponeringsnivået over den totale arbeidsperioden.

Identifiser ytterligere sikkerhetstiltak for å beskytte operatøren mot virkningen av vibrasjon og støyt, slik som å vedlikeholde verktøyet og tilbehøret, holde hendene varme (i tilfelle vibrasjon) eller organisere arbeidsmønstre.

RU**⚠ ОСТОЖО**

Заявленные данные о совокупном уровне вибрационного и шумового воздействия, указанные в настоящем руководстве, получены в ходе стандартизированных исследований и могут использоваться для сравнения инструментов. Могут применяться в рамках предварительной оценки степени воздействия.

Заявленный уровень вибрационного и шумового воздействия учитывает основные области применения инструмента. При этом, если инструмент используется иным образом, с другим оборудованием либо некачественно обслуживается, степень вибрационного и шумового воздействия может отличаться. В рамках всего периода эксплуатации эти условия могут способствовать значительному повышению уровня воздействия. Расчет уровня вибрационного и шумового воздействия должен также проводиться с учетом количества выключений инструмента и продолжительности работы на холостом ходу. В рамках всего периода эксплуатации эти условия могут способствовать значительному снижению уровня воздействия.

Обеспечьте дополнительные меры защиты оператора от воздействия вибрации и шума, например, техническое обслуживание инструмента и принадлежности, поддержание температуры рук (в случае вибрации) и организации графика работ.

PL**⚠ OSTRZEŻENIE**

Podany w niniejszej instrukcji łączny poziom emisji wibracji zmierzono zgodnie ze znormalizowaną metodą testowania — może on być wykorzystywany do wzajemnego porównywania narzędzi. Można go wykorzystywać do wstępnej oceny narażenia.

Deklarowany poziom emisji wibracji i hałasu odpowiada głównym zastosowaniom narzędzia. Jeżeli jednak narzędzie będzie używane do innych zastosowań lub z innymi akcesoriami, bądź też jeśli będzie niewłaściwie konserwowane, poziom emisji wibracji i hałasu może się różnić. Warunki takie mogą doprowadzić do znaczącego wzrostu poziomu narażenia w całym okresie eksploatacji. Oszacowanie poziomu narażenia na wibracje i hałas powinno również uwzględniać okresy, w których narzędzie jest wyłączone bądź działa, ale nie jest wykorzystywane do pracy. Warunki takie mogą doprowadzić do znaczącego ograniczenia poziomu narażenia w całym okresie eksploatacji.

Należy zidentyfikować dodatkowe środki bezpieczeństwa mające na celu ochronę operatora przed skutkami wibracji i hałasu, takie jak konserwacja narzędzia i akcesoriów, utrzymywanie ciepła dłoni (w przypadku wibracji) oraz organizacja pracy.

CS**⚠ VAROVÁNÍ**

Deklarované celkové hodnoty vibrací a deklarované hodnoty hlučnosti uvedené v tomto návodu byly změněny standardizovanou zkušební metodou a mohou být použity k porovnání jednoho mlohače s druhým. Mohou být použity k předběžnému posouzení vystavení vibracím a hluku.

Deklarované hodnoty vibrací a hlučnosti jsou vymezeny hlavními způsoby použití tohoto mlohače. Pokud je však mlohač použit jiným způsobem, s jiným příslušenstvím nebo při nedostatečné údržbě, úroveň vibrací a hluku se mohou lišit. Tyto podmínky mohou podstatně zvýšit úroveň vystavení vibracím a hluku za celou pracovní dobu. Při odhadu úrovně vystavení vibracím a hluku je nutné vzít v úvahu také dobu, kdy je mlohač vypnut nebo běží naprázdno. Tyto podmínky mohou podstatně snížit úroveň vystavení vibracím a hluku za celou pracovní dobu.

K ochraně obsluhy před účinky vibrací a hluku určete další bezpečnostní opatření, například provádění údržby mlohače a příslušenství, udržování rukou v teple (v případě vibrací) a organizování pracovních cyklů.

HU**⚠ FIGYELMEZTÉS**

A jelen használati kézikönyvben közölt rezgés- és zajkibocsátási értékek szabványosított vizsgálat segítségével mérték, amelynek segítségével az eszközök egymással összehasonlíthatók. Ezek alkalmazhatók a kitétség előzetes felmérésére is.

A megadott rezgés-kibocsátási és zajkibocsátási szint az eszköz fő alkalmazásait jelöli. Azonban ha az eszköz nem megfelelően tartású karban, különböző alkalmazásokra vagy eltérő tartozékokkal használják, akkor a rezgés- és zajkibocsátás változhat. Ezek a beavatkozások jelentősen növelhetik a kitétségi szintet a teljes működési időtartam során. A rezgésnek és zajnak való kitétségi szint becslést értékeléskor is figyelembe kell venni, amikor az eszköz ki van kapcsolva, vagy amikor csak tétlenül jár. Ezek jelentősen csökkenthetik a kitétségi szintet a teljes működési időtartam során.

A kezelő rezgés- és zajártalom elleni védelméhez tegyen meg további biztonsági intézkedéseket, mint pl. az eszköz és alkatrészei karbantatása, a kéz melegen tartása (rezgés esetén) és a munkavégzési folyamat megszervezése.

RO**⚠ AVERTISMENT**

Nivelul total al vibrațiilor și valorile emisiilor de zgomot declarate în acest manual cu instrucțiuni au fost măsurate în conformitate cu o metodă de testare standardizată și pot fi utile pentru compararea uneltelor între ele. Acestea pot fi utilizate pentru evaluarea preliminară a expunerii.

Valorile emisiilor de vibrație și de zgomot declarate sunt relevante pentru domeniul de utilizare al acesteia unelte. Totuși, dacă uneltea este utilizată în alte scopuri, cu alte accesorii sau este întreținută necorespunzător, nivelul vibrațiilor și al zgomotului poate fi diferit. În acest caz, nivelul de expunere total, pe parcursul întregii perioade de lucru, poate crește. O estimare a nivelului de expunere la vibrații și zgomot trebuie să țină cont și de numărul de porniri-opriți, precum și de perioada în care uneltea este oprită sau funcționează în gol. În acest caz, nivelul de expunere total, pe parcursul întregii perioade de lucru, poate fi mai mic.

Identificați măsuri de protecție suplimentare pentru protecția operatorului contra efectelor vibrațiilor și zgomotului, precum întreținerea uneltei și a accesoriilor, menținerea mâinilor calde (în caz de vibrație) și organizarea de perioade de lucru.

LV

BRĪDINĀJUMS

Deklarētie kopējie vibrāciju līmeņi un deklarētie trokšņu izstarošanas līmeņi, kas norādīti šajā instrukcijā ir mēriti saskaņā ar standartizētajiem testiem, un var tikt izmantoti viena instrumenta salīdzināšanai ar citu. Tos var izmantot sākotnējai ietekmes novērtēšanai.

Deklarētajos vibrāciju un trokšņu veidošanās vērtības atspoguļo galvenajam instrumenta pielietojumam. Tomēr, ja instruments tiek izmantots citam pielietojumam, izmantots ar citiem aksesoriem, vai netiek pieņemtā koptis, vibrāciju un trokšņu līmeņis var atšķirties. Šie apstākļi var būtiski palielināt ietekmes līmeņi visā darba laikā. Vibrāciju un trokšņu iedarbības līmeņa noteikšanai jāņem vērā arī laika posmi, kad instruments ir izslēgts, vai arī darbojas tukšgājā. Šie apstākļi var būtiski samazināt ietekmes līmeņi visā darba laikā.

Nosakiet papildu drošības pasākumus. Iai aizsargātu lietotāju no vibrācijas un trokšņu ietekmes, piemēram, veicot instrumenta un aprīkojuma apkopes, roku uzturēšana siltumā (vibrāciju gadījumā), vai organizējot darba grafiku.

LT

ĮSPĖJIMAS

Šioje naudojimo instrukcijoje nurodytos keliamos vibracijos vertės nustatytos atsižvelgiant į standartinį bandymo metodą, todėl jas galima palyginti su kitų elektrinių įrankių keliamą vibraciją. Jos taip pat gali būti naudojamos preliminariam vibracijos poveikiui įvertinti.

Deklaruojamos vibracijos ir skleidžiama triukšmo vertės atspindi pagrindinius įrenginio taikymo būdus. Tačiau, jei šiuo įrenginiu atliekami kiti darbai, naudojant kitus priedus arba prastai prižiūrinus priedus, keliamos vibracijos ir triukšmo vertės gali skirtis. Šiomis sąlygomis gali žymiai padidėti vibracijos poveikio lygiai per visą darbo laiką. Vertinant vibracijos ir triukšmo poveikio lygį per tam tikrą darbo laikotarpį, reikia atsižvelgti ne tik į laiką, kai įrenginys veikia, bet ir į tą laiką, kai įrenginys yra išjungtas, ir į laiką, kai jis veikia tuščiajia eiga be apkrovos. Šiomis sąlygomis gali žymiai sumažėti vibracijos poveikio lygis per visą darbo laiką.

Nustatykite papildomas saugos priemones, skirtas operatoriui apsaugoti nuo vibracijos ir triukšmo poveikio, pvz., technškai prižiūrėkite įrenginį ir priedus, laikykite rankas šiltai (vibracijos atveju) ir organizuokite darbo pamainas.

ET

HOIATUS

Kāesleavas juhendis toodud vibratsioonitase ja deklaritud müramissiooni väärtused on mõõdetud standardmeetodi järgi ja see saab kasutada tööriistade omavaheliseks võrdlemiseks. Neid võib kasutada ka emissiooni alistselgseks hindamiseks.

Deklareitud vibratsiooni ja müramissiooni väärtused kehtivad tööriista peamistele rakendustele. Kui aga tööriista kasutatakse muudeks töödeks, rakendatakse teisi tavikuid või kui tööriista hooalus pole piisav, võib vibratsiooni ja müramissiooni tase kõrguda. Need tingimused võivad emissiooni tõepoolesti jooksul tunduvalt suurendada. Vibratsiooni ja müramissiooni täpsuseks hindamiseks tuleb avestada ka aega, mil seade on väljas lülitatud või sisse lülitatud, kuid tegelikult tööde rakendamata. Need tingimused võivad emissiooni ootuperioodi jooksul tunduvalt vähendada.

Tehke kindlaks lähendavad ohutusmeetmed kasutaja kaitsmiseks vibratsiooni ja müra mõju eest: näiteks tööriista ja lisaseadmete hooldamine, käte soojas hoidmine (vibratsiooni korral) ja töökorraldus.

HR

UPOZORENJE

Deklarirane ukupne vrijednosti vibracija i deklarirane emisije buke navedene u ovom priručniku s uputama izmjerene su u skladu sa standardiziranim ispitnom metodom i mogu se koristiti za usporedbu jednog alata s drugim. Moguće ih je upotrijebiti za preliminarnu procjenu izlaganja.

Deklarirane vrijednosti razine emisije vibracija i buke predstavljaju glavne primjene alata. Međutim, ako se alat koristi za druge primjene, koristi s različitim dodacima ili ako se loše održava, emisija vibracija i buke se može razlikovati od navedene vrijednosti. Ti uvjeti mogu uzrokovati značajno povećanje razine izloženosti u ukupnom vremenu rada alatom. Procjena razine izloženosti vibracijama i buci također bi trebala uzeti u obzir i vrijeme u kojem je alat isključen ili radi u praznom hodu. Ti uvjeti mogu uzrokovati značajno smanjenje razine izloženosti u ukupnom vremenu rada alatom.

Utvrdite dodatne sigurnosne mjere za zaštitu rukovatelja od djelovanja vibracija i buke, kao što su održavanje alata i pribora, održavanje topline ruku (u slučaju vibracija) i organiziranje radnog vremena.

SL

OPOZORILO

Skupni vrednosti emisij vibracij i emisij hrupa, navedeni v tem priručniku, sta bili izmerjeni v skladu z metodo standardiziranega preskusa in se lahko uporabljata za medsebojno primerjavo orodja. Uporabljajo se lahko za predhodno oceno stopnje izpostavljenosti.

Navedeni vrednosti emisij vibracij i hrupa veljavata za glavne namene uporabe orodja. Vendar, če se orodje uporablja v druge namene, z drugačnimi dodatki ali je slabo vzdrževano, sta lahko ravni emisij vibracij i hrupa drugačni. V teh pogojih se lahko stopnja izpostavljenosti v celotnem delovnem obdobju občutno zviša. V oceni stopnje izpostavljenosti vibracijam i hrupa je treba upoštevati tudi obdobja, v katerih je orodje ugasnjeno oziroma teče, vendar ni v dejanski uporabi. V teh pogojih se lahko stopnja izpostavljenosti v celotnem delovnem obdobju občutno zniža.

Ugotovite dodatne varnostne ukrepe za zaščito uporabnika pred učinki vibracij i hrupa, kot je vzdrževanje orodja in dodatkov, ohranjanje toplih rok (v primeru vibracij) i organizacija delovnih vzorcev.

SK

VAROVANIE

Deklarované celkové hodnoty vibráci a deklarované hodnoty emisii hluku uvedené v tomto návode na obsluhu boli merané v súlade so štandardizovanou skúškou a môžu sa použiť na porovnanie jedného náradia s druhým. Môžu sa použiť na predbežné posúdenie expozície.

Deklarované hodnoty vibráci a emisii hluku sú pre hlavné použitia náradia. No ak sa náradie používa na iné aplikácie, v spojení s iným príslušenstvom alebo je jeho údržba nepostačujúca, emisie vibráci a hluku sa môžu líšiť. Tieto podmienky značne zvyšia úroveň expozície počas celkovej pracovnej doby. Odhad úrovne expozície účinkom vibráci a hluku má tieto faktične zohľadniť čas vypnutia náradia alebo ak beží na voľnobeh. Tieto podmienky môžu značne znížiť úroveň expozície počas celkovej pracovnej doby.

Identifikujte ďalšie bezpečnostné opatrenia na ochranu obsluhy pred účinkami vibráci a hluku, ako je napríklad udržiavanie náradia a príslušenstva, udržiavanie teplých rúk (v prípade vibrácií) a organizácia pracovných postupov.

BG

ВНИМАНИЕ

Декларираните общи стойности на излъчените вибрации и на шумовите емисии, посочени в настоящото ръководство, са измерени в съответствие със стандартизирани тестови методи и може да се използват за сравнение на един инструмент с друг. Те може да се използват за предварително оценяване на въздействието.

Декларираните стойности на излъчените вибрации и на шумовите емисии представляват основните приложения на инструмента. Въпреки това, ако инструментът се използва за различни приложения, с различни принадлежности или поддръжката му е некачествена, излъчените вибрации и шумовите емисии могат да се различават. Тези условия може значително да увеличат нивото на излагане през целия срок на работа. При оценяване на нивото на излагане на вибрации и шум също трябва да се вземе предвид колко пъти инструментът е бил изключван или колко пъти е работил на празен ход. Тези условия може значително да намалат нивото на излагане през целия срок на работа.

Определете допълнителни мерки за предпазване на оператора от ефектите от вибрациите и шума, като например поддръжане на инструмента и аксесоарите, поддръжане на ръцете топли (в случай на вибрации), организация на моделите за работа.

UK

ПОПЕРЕДЖЕННЯ

Значення вібрації та шуму, наведені в цьому керівництві, вимірювалися відповідно до стандартизованого методу випробування та можуть бути використані для порівняння одного інструменту з іншим. Ними можна користуватися для попередньої оцінки впливу.

Наведені значення виміряно при стандартній експлуатації виробу. Утім якщо виріб використовується для інших цілей, з іншими додатковими пристосуваннями або ж не проходить належного обслуговування, рівні вібрації та шуму можуть відрізнятись від зазначених. Як наслідок, рівні впливу впродовж загального робочого часу можуть значно збільшитися. При оцінці рівнів впливу вібрації та шуму слід враховувати періоди, коли виріб вимкнений або працює на холостих обертах. Як наслідок, рівні впливу впродовж загального робочого часу можуть значно зменшитися.

Дотримуйтеся додаткових заходів, які можуть захистити оператора від впливу вібрації та шуму: підтримуйте пристрій та додаткові пристосування у належному стані, слідкуйте, щоби руки залишалися теплими (при вібрації), та продумайте графік роботи.

TR

UYARI

Bu kullanim kilavuzunda verilen toplam titreşim değerleri ve gürültü emisyonu değerleri standartlaştırılmış bir teste göre ölçülmüştür ve bir aleti diğerine karşılaştırmak için kullanılabılır. Maruz kalmanın onceden değerlendirilmesini için kullanılabılır.

Beyan edilen titreşim ve gürültü emisyonu değerleri aletin ana uygulaması için temsil eder. Ancak, alet farklı uygulamalar için kullanılıyorsa, farklı aksesuarlarla kullanılıyorsa ve bakımı yapılmıyorsa, titreşim ve gürültü emisyonu değışiklik gösterebilir. Bu koşullar toplam çalışma süresi genelinde maruz kalma düzeylerini önemli oranda artırabilir. Titreşime ve gürültüye maruz kalma seviyesinin tahmininde aletin kapatıldığı veya boşta çalıştığı süreler dikkate alınmalıdır. Bu koşullar toplam çalışma süresi boyunca maruz kalma seviyesini önemli oranda azaltabilir.

Kullanıcı kişiyi titreşim ve gürültünün etkilerinden korumak için aletin ve aksesuarların bakımını yapmak (titreşim halinde) elleri sıcak tutmak ve çalışma modelleri organize etmek gibi ilave güvenlik önlemlerini tanımlayın.

EN RYOBI WARRANTY APPLICATION CONDITIONS

In addition to any statutory rights resulting from the purchase, this product is covered by a warranty as stated below.

1. The warranty period is 24 months for consumers and commences on the date when the product was purchased. This date has to be documented by an invoice or other proof of purchase. The product is designed and dedicated to consumer and private use only. So there is no warranty provided in case of professional or commercial use. This warranty applies only on new products.
2. There is a possibility to extend for a part of the range of power tools (AC/DC) the warranty period over the period described above using the registration on the www.ryobitools.eu website. The eligibility of products for extended warranty is clearly displayed in stores and / or on packaging and is contained within the product documentation. The end user is required to register his/her newly-acquired products online within 30 days from the date of purchase. The end user may register for the extended warranty in his/her country of residence if listed on the online registration form where this option is valid. Furthermore, end users must give their consent to the storage of their personal data that is required to be entered online. They must also accept the terms and conditions. The registration confirmation receipt, which is sent out by e-mail, and the original invoice showing the date of purchase will serve as proof of the extended warranty.
3. The warranty covers all defects of the product during the warranty period due to faults in workmanship or material at the purchase date. The warranty is limited to repair and/or replacement and does not include any other obligations including but not limited to incidental or consequential damages. The warranty is not valid if the product has been misused, used contrary to the instruction manual, or has been incorrectly connected to a power supply. This warranty does not apply to:
 - any damage to the product that is the result of improper or lack of maintenance
 - any product that has been altered or modified
 - any product where original identification (trade mark, serial number) markings have been defaced, altered or removed
 - any damage caused by non-observance of the instruction manual
 - any product not displaying the CE approval mark on the rating plate
 - any product that has been attempted to be repaired by a non-authorized warranty service centre or without prior authorisation by Techtronic Industries
 - any product connected to improper power supply (amps, voltage, frequency)
 - any product used with inappropriate fuel mixture (fuel, oil, ratio of oil/ fuel mixture)
 - any damage caused by external influences (water, chemical, physical, shocks) or foreign substances
 - normal wear and tear spare parts
 - inappropriate use, overloading of the tool
 - use of non-approved accessories or parts
 - Accessories provided with the tool or purchased separately including but not limited to blades, saw chains, cutting lines, etc.
 - Any periodic adjustments to or maintenance cleaning of carburetors
 - Components (parts and accessories) subject to natural wear and tear, including but not limited to bump knobs, drive belts, clutch, blades of hedge trimmers or lawn mowers, harness, cable throttle, carbon brushes, power cord, tines, felt washers, hitch pins, blower fans, blower and vacuum tubes, vacuum bag and straps, guide bars, saw chains, hoses, connector fittings, spray nozzles, wheels, spray wands, inner reels, outer spools, cutting lines, spark plugs, air filters, gas filters, mulching blades, etc.
4. For servicing, the product must be sent or presented to a RYOBI authorised service station listed for each country in the following list of service station addresses. In some countries your local RYOBI dealer undertakes to send the product to the RYOBI service organisation. When sending a product to a RYOBI service station, the product should be safely packed without any dangerous contents such as petrol, marked with sender's address and accompanied by a short description of the fault.
5. A repair / replacement under this warranty is free of charge. It does not constitute an extension or a new start of the warranty period. Exchanged parts or products become our property. In some countries delivery charges or postage will have to be paid by the sender. Your statutory rights arising from the purchase of the product remain unaffected.
6. This warranty is valid in the European Community, Switzerland, Iceland, Norway, Liechtenstein, Turkey, Russia, and the United Kingdom. Outside these areas, please contact your authorised RYOBI dealer to determine if another warranty applies.

AUTHORISED SERVICE CENTRE

Any request or issue with the product can be addressed to your local authorised service centres (visit www.ryobitools.eu) or directly to: Techtronic Industries GmbH, Max Eyth Straße 10, 71364 Winnenden, Germany. Please state the serial number and product type printed on the label.

FR RYOBI CONDITIONS D'APPLICATION DE LA GARANTIE

En plus des droits statutaires liés à l'achat, ce produit est couvert par une garantie telle que décrite ci-dessous.

1. La durée de la garantie accordée au consommateur est de 24 mois à partir de la date d'achat. Cette date doit être authentifiée par une facture ou tout autre preuve d'achat. Le produit a été conçu en vue d'une utilisation strictement privée. Aucune garantie ne s'applique donc en cas d'utilisation professionnelle ou commerciale.
2. Il existe pour une partie de la gamme « jardin » (AC/DC), une possibilité d'étendre la période de garantie au-delà de la période précédemment décrite en utilisant le formulaire d'enregistrement présent sur le site internet www.ryobitools.eu. L'éligibilité d'un outil est clairement affichée dans les points de vente et/ou sur l'emballage et la documentation. L'utilisateur final doit enregistrer son/ses outil(s) nouvellement acheté(s) en ligne dans les 30 jours qui suivent la date d'achat. L'utilisateur a la possibilité de s'enregistrer pour l'extension de garantie dans son pays de résidence si celui-ci est listé dans le formulaire d'enregistrement en ligne ou cette option est valide. L'utilisateur final doit donner son consentement pour l'enregistrement des données requises pour accéder au site et doit accepter les termes et conditions. La confirmation d'enregistrement, envoyée par courrier électronique, ainsi que la facture originale mentionnant la date d'achat serviront de preuve de l'extension de garantie.
3. La garantie couvre pendant la période de garantie les défauts des produits liés à la fabrication et aux matériaux à la date d'achat. La garantie est limitée à la réparation et/ou au remplacement et n'inclut aucune autre obligation, tel que, mais sans s'y limiter, les dommages accessoires ou indirects. La garantie est non valable en cas de mauvaise utilisation du produit, d'utilisation contraire aux instructions du mode d'emploi, ou en cas de branchement incorrect. Cette garantie ne s'applique pas pour :
 - tout dommage au produit résultant d'un mauvais entretien
 - tout produit ayant été altéré ou modifié
 - tout produit dont les marquages originaux d'identification (marque, numéro de série) ont été dégradés, altérés ou retirés
 - tout dommage causé par le non-respect des instructions du mode d'emploi
 - tout produit non CE
 - tout produit ayant subi une tentative de réparation par du personnel non qualifié ou sans autorisation préalable de Techtronic Industries
 - tout produit raccorder à une alimentation secteur non conforme (ampérage, voltage, fréquence)
 - tout produit utilisé avec un mélange inapproprié (essence, huile, pourcentage d'huile)
 - tout dommage causé par des influences extérieures (chimiques, physiques, chocs) ou par des substances étrangères
 - l'usure normale des pièces consommables
 - une utilisation inappropriée, une surcharge de l'outil
 - l'utilisation de pièces ou accessoires non agréés
 - Tout réglage périodique ou tout nettoyage de maintenance des carburateurs
 - les composants (pièces et accessoires) sujets à une usure naturelle, incluant de façon non exhaustive les têtes de fil à frapper, les courroies de transmission, les embrayages, les lames des taille-haies ou des tondeuses à gazon, les harnais, les câbles d'accélérateur, les charbons, les cordons d'alimentation, les fraises de cultivateurs, les rondelles feutre, les gouilles de fraise, les turbines et lame de broyage des souffleurs, les tubes de soufflage et d'aspiration des souffleurs, les sacs de souffleurs et leurs lanières, les guides-chaîne, les chaînes de tronçonneuses, les tuyaux et raccords, les buses et lances de nettoyeurs haute pression, les roues, les recharges de fil des têtes de coupe, les têtes de coupe, le fil de coupe, les bougies d'allumage, les filtres à air, les filtres à essence, etc.
4. Si le produit doit être réparé, envoyez-le à un service après-vente agréé RYOBI dont vous trouverez ci-dessous la liste pour chaque pays. Dans certains pays, votre revendeur RYOBI se chargera d'envoyer le produit à un centre de réparation RYOBI. Lorsque vous envoyez un produit à un service après-vente RYOBI, celui-ci doit être correctement emballé, sans contenir aucun produit dangereux tel que de l'essence, et vous devez indiquer votre adresse ainsi qu'une courte description du problème.
5. Une réparation / un remplacement sous garantie est gratuit(e). Ceci ne constituera pas une extension de garantie ni un nouveau départ de la période de garantie. Les pièces ou les outils remplacés deviennent notre propriété. Dans certains pays, les frais de port devront être assumés par l'expéditeur. Vos droits statutaires restent inchangés.
6. Cette garantie est valable dans la Communauté européenne, la Suisse, l'Irlande, la Norvège, le Liechtenstein, la Turquie, la Russie et le Royaume-Uni. En dehors de ces zones, veuillez contacter votre distributeur agréé RYOBI pour déterminer si une autre garantie s'applique.

SERVICE APRÈS-VENTE AGRÉÉ

Toute demande ou tout problème concernant le produit peut être transmis à votre centre de réparation agréé local (consultez www.ryobitools.eu) ou directement à : Techtronic Industries GmbH, Max Eyth Straße 10, 71364 Winnenden, Germany. Veuillez mentionner le numéro de série et le type de produit imprimés sur l'étiquette.



DE RYOBI GARANTIEBEDINGUNGEN

Zusätzlich zu den gesetzlichen Rechten aus dem Kauf gilt für dieses Produkt die nachstehend aufgeführte Garantie.

- Der Garantiezeitraum beträgt für Verbraucher 24 Monate und beginnt mit dem Datum des Kaufs. Dieses Datum muss eine Rechnung oder einen anderen Kaufbeleg dokumentiert werden. Dieses Produkt wurde ausschließlich zur privaten Nutzung durch Verbraucher entwickelt. Für den Fall einer professionellen bzw. kommerziellen Nutzung besteht daher keine Garantie.
- Es besteht die Möglichkeit, für einen Teil des Sortiments der Gartenwerkzeuge (AC/DC) den Garantiezeitraum über den oben genannten Zeitraum hinaus zu verlängern, indem der Verbraucher die Registrierung auf der Website www.ryobitools.eu durchführt. Die Berechtigung der Werkzeuge für die Garantieverlängerung ist deutlich im Geschäft und/oder auf der Verpackung beschrieben und in der Produktdokumentation erwähnt. Der Verbraucher muss das neu erworbene Gerät online innerhalb von 30 Tagen ab dem Kaufdatum registrieren. Der Verbraucher kann das Gerät zwecks Garantieverlängerung in seinem Wohnsitzland/Heimatland registrieren, wenn dieses Land auf dem Online-Registrierungsformular aufgeführt ist und die Option gültig ist. Darüber hinaus muss der Verbraucher seine Zustimmung zur Speicherung der Daten geben, die online eingegeben werden müssen, und er muss die allgemeinen Geschäftsbedingungen akzeptieren. Die Bestätigung der Registrierung, die per E-Mail versandt wird, und die Originalrechnung mit dem Kaufdatum gelten als Beleg für die Garantieverlängerung.
- Die Garantie deckt alle Defekte des Geräts während des Garantiezeitraums ab, die auf zum Zeitpunkt des Kaufs bestehende Verarbeitungs- oder Materialfehler zurückzuführen sind. Die Garantie beschränkt sich auf Reparatur und/oder Ersatz und beinhaltet keine anderen Verpflichtungen, insbesondere keinen Schadenersatz für Folge- oder Nebenschäden. Die Garantie gilt nicht, wenn das Gerät fehlerhaft eingesetzt wurde, gegensätzlich zur Bedienungsanleitung eingesetzt wurde oder falsch angeschlossen wurde. Die Garantie gilt nicht für Folgendes:
 - Schäden am Gerät, die auf unkorrekte Wartung zurückzuführen sind
 - Geräte, an denen Veränderungen vorgenommen wurden
 - Produkte, bei denen die ursprüngliche Identifizierung (Handelsmarke, Seriennummer) unleserlich gemacht, verändert oder entfernt wurde
 - Schäden durch Nichtbeachtung der Bedienungsanleitung
 - nicht-CE-zertifizierte Geräte
 - Geräte, an denen durch nicht-qualifizierte Personen oder ohne vorherige Genehmigung von Techtronic Industries Reparaturversuche vorgenommen wurden
 - Geräte, die an unkorrekte Energiequellen (Ampere, Volt, Frequenz) angeschlossen wurden
 - Geräte, die mit einer fehlerhaften Treibstoffmischung (Treibstoff, Öl, Ölanteil) betrieben wurden
 - Schäden durch äußere Einflüsse (chemisch, physisch, Stöße) oder Fremdstoffe
 - normaler Verschleiß von Ersatzteilen
 - unangemessene Nutzung, Überlastung des Geräts
 - Nutzung nicht genehmigter Zubehörteile oder Ersatzteile
 - Regelmäßige Einstellung oder Wartungsreinigung des Vergasers
 - Komponenten (Ersatzteile und Zubehörteile), die natürlichem Verschleiß unterliegen, einschließlich, aber nicht beschränkt auf Service- und Wartungssets, Kohlebürsten, Lager, Spannvorrichtungen, SDS-Bohreraufnahme /Bit-Adapter, Netzplatt, Zusatzhandgriff, Transportkoffer, Schleifplatten, Staubbeutel, Staubabführungen, Filzunterlegscheiben, Bolzen und Federn von Schlagschraubern, einschließlich, aber nicht beschränkt auf Fadenköpfe, Antriebsriemen, Kupplungen, die Klängen von Heckenscheren oder Rasenmähern, Kabelstränge, Gaszüge, Zinken, Steckbolzen, Lüfter, Saug- und Gebläserohre oder Düsen, Fangsäcke und Gurte, Führungsschienen, Sägeketten, Schläuche, Verbinder, Sprühdüsen, Räder, Sprühstäbe, innere Rollen, äußere Spulen, Schneidfäden, Zündkerzen, Luftfilter, Benzin-/ Ölfilter, Häcksel- Messer usw.
- Zum Service muss das Gerät zu einer von RYOBI autorisierten Servicestation gebracht oder dorthin gesendet werden. Die Servicestationen für die einzelnen Länder sind in der folgenden Liste aufgeführt. In einigen Ländern sendet Ihr RYOBI-Händler vor Ort das Gerät an das RYOBI-Serviceunternehmen. Beim Einsenden an die RYOBI-Servicestation sollte das Gerät sicher verpackt sein, ohne gefährliche Inhalte wie Benzin, und es sollte mit der Adresse des Absenders und einer kurzen Beschreibung des Fehlers versehen sein.
- Eine Reparatur bzw. ein Ersatz gemäß dieser Garantie ist kostenlos. Hieraus ergibt sich weder eine Garantieverlängerung noch der Beginn eines neuen Garantiezeitraums. Die ausgetauschten Ersatzteile oder Werkzeuge gehen in unser Eigentum über. In einigen Ländern müssen die Zustelgebühren oder die Versandkosten vom Absender gezahlt werden. Ihre gesetzlichen Rechte aus dem Kauf des Geräts bleiben hiervon unberührt.
- Diese Garantie ist gültig in der Europäischen Gemeinschaft, der Schweiz, Island, Norwegen, Liechtenstein, der Türkei, Russland und dem Vereinigten Königreich. Bitte wenden Sie sich außerhalb dieser Gebiete an Ihren autorisierten RYOBI-Händler, um festzustellen, ob eine andere Garantie gilt.

AUTORISIERTER KUNDENDIENST

Bitte wenden Sie sich bei Fragen zum oder Problemen mit dem Gerät an das örtliche autorisierte Servicecenter (siehe www.ryobitools.eu) oder direkt an: Techtronic Industries GmbH, Max Eyth Straße 10, 71364 Winnenden, Germany. Bitte geben Sie die Seriennummer und den auf dem Typenschild aufgedruckten Gerätetyp an.

ES CONDICIONES DE APLICACIÓN DE LA GARANTÍA DE RYOBI

Además de cualquier derecho legal derivado de la compra, este producto está cubierto por una garantía que se indica a continuación.

- El periodo de garantía es de 24 meses para consumidores y comienza en la fecha en que se compra el producto. Dicha fecha debe documentarse con una factura u otro comprobante de compra. El producto está diseñado y concebido únicamente para el uso privado del consumidor. Por lo tanto, no se ofrece garantía en caso de uso profesional o comercial.
- Existe la posibilidad de ampliar el periodo de garantía respecto a una parte de la gama de herramientas de jardinería (CA/CC) durante el periodo descrito más arriba y mediante el registro en el sitio web www.ryobitools.eu. La elegibilidad de las herramientas para que se amplíe el periodo de garantía se muestra claramente en las tiendas o en el embalaje y está incluida en la documentación del producto. El usuario final tiene que registrar en línea sus herramientas recientemente adquiridas en un plazo de 30 días a partir de la fecha de compra. El usuario final podrá registrarse para obtener la garantía ampliada en su país de residencia si este aparece en la lista del formulario de registro en línea cuando esta opción sea válida. Además, los usuarios finales deberán dar su consentimiento al almacenamiento de los datos necesarios para el acceso en línea y tienen que aceptar los términos y condiciones. El recibo de confirmación de registro, que se envía por correo electrónico, y la factura original que muestra la fecha de compra servirán como comprobante para la garantía ampliada.
- La garantía cubre todos los defectos del producto durante el periodo de garantía debido a fallos de mano de obra o material en la fecha de compra. La garantía se limita a la reparación o sustitución y no incluye ninguna otra obligación como, por ejemplo, daños accidentales o consecuentes. La garantía no es válida si se ha usado mal el producto, se ha usado contraviniendo el manual de instrucciones o se ha conectado de forma incorrecta. Esta garantía no es aplicable a:
 - ningún daño en el producto que sea consecuencia de un mantenimiento inadecuado
 - ningún producto que haya sido alterado o modificado
 - ningún producto en el que los marcados de identificación originales (marca comercial, número de serie) se hayan borrado, modificado o eliminado
 - ningún daño provocado por no seguir el manual de instrucciones
 - ningún producto que no sea CE
 - ningún producto que haya sufrido un intento de reparación por parte de un profesional no cualificado o sin la autorización previa de Techtronic Industries.
 - ningún producto conectado a un suministro eléctrico inadecuado (amperios, voltaje, frecuencia)
 - ningún producto usado con una mezcla de combustible inadecuada (combustible, aceite, porcentaje de aceite)
 - ningún daño causado por influencias externas (químicas, físicas, impactos) o sustancias extrañas
 - desgaste normal de piezas de repuesto
 - uso inadecuado, sobrecarga de la herramienta
 - uso de accesorios o piezas no aprobados
 - Cualquier ajuste periódico o limpieza de mantenimiento de los carburadores
 - Componentes (piezas y accesorios) sujetos al desgaste natural incluyendo, entre otros, pomos de golpes, correas de transmisión, embragues, cuchillas de cortasetos o cortacésped, arneses, cable del acelerador, escobillas de carbono, cables eléctricos, púas, discos de filtro, pasadores de enganche, ventiladores de soplador, tubos de aspiración y de soplado, bolsos y correas de aspiración, barras guías, cadenas de sierra, mangueras, herrajes de conectores, boquillas pulverizadoras, ruedas, lanzas pulverizadoras, bobinas interiores, carretes exteriores, líneas de corte, bujías, filtros de aire, filtros de gas, cuchillas de compostaje, etc.
- Para su mantenimiento, el producto debe enviarse o presentarse a una estación de servicio de RYOBI autorizada que figure en la siguiente lista de direcciones de estaciones de servicio por países. En algunos países, su distribuidor RYOBI local se responsabiliza de enviar el producto a la compañía de servicio de RYOBI. Cuando se envíe un producto a una estación de servicio de RYOBI, este debe estar empaquetado de forma segura sin contenidos peligrosos como gasolina, marcado con la dirección del remitente y acompañado de una breve descripción del fallo.
- Una reparación / sustitución con esta garantía es gratuita. No constituye una ampliación ni un nuevo comienzo del periodo de garantía. Las piezas o herramientas intercambiadas pasan a ser de nuestra propiedad. En algunos países, los gastos de envío o correo tendrán que pagarlos el remitente. Sus derechos legales derivados de esta compra de la herramienta no se verán afectados.
- Esta garantía es válida en la Comunidad Europea, Suiza, Islandia, Noruega, Liechtenstein, Turquía, Rusia y el Reino Unido. Fuera de estas zonas, póngase en contacto con su distribuidor de RYOBI autorizado para determinar si es aplicable otra garantía.

SERVICIO TÉCNICO AUTORIZADO

Cualquier solicitud o problema relacionado con el producto se puede remitir a su centro de servicio autorizado local (visite www.ryobitools.eu) o directamente a: Techtronic Industries GmbH, Max Eyth Straße 10, 71364 Winnenden, Germany. Indique el número de serie y el tipo de producto que aparecen impresos en la etiqueta.



IT CONDIZIONI DI VALIDITÀ DELLA GARANZIA RYOBI

In aggiunta ai diritti di legge risultanti dall'acquisto, il prodotto è coperto dalla garanzia sotto descritta.

1. Il periodo di garanzia è di 24 mesi per i consumatori, a decorrere dalla data di acquisto del prodotto. La data deve essere documentata da una fattura o altra prova d'acquisto. Il prodotto è progettato e destinato solo all'utilizzo privato dei consumatori. Pertanto non viene fornita alcuna garanzia in caso di uso professionale o commerciale.
2. Per una serie di utensili da giardino (CA/CC) è possibile prolungare il periodo di garanzia oltre quello descritto, registrandosi sul sito web www.ryobitools.eu. Gli utensili per i quali è possibile prolungare il periodo di garanzia sono chiaramente indicati nei negozi e/o sulle confezioni e nella documentazione dei prodotti. L'utente deve registrare online l'utensile acquistato entro 30 giorni dalla data di acquisto. L'utente può registrarsi per la garanzia prolungata nel proprio paese di residenza, se questo è elencato nel modulo di registrazione online dove questa opzione sia valida. Inoltre gli utenti devono fornire il proprio consenso alla conservazione dei dati da immettere online e devono accettare le condizioni generali. La conferma di registrazione, inviata tramite e-mail, e la fattura originale indicante la data di acquisto, costituiranno la prova della garanzia prolungata.
3. La garanzia copre tutti i difetti del prodotto durante il periodo di garanzia, risultanti da manodopera o materiali alla data di acquisto. La garanzia è limitata alla riparazione e/o sostituzione e non include alcun altro obbligo quali, a mero titolo esemplificativo, i danni incidentali o consequenziali. La garanzia non è valida se il prodotto è stato usato scorrettamente, in modo contrario al manuale di istruzioni o se è stato collegato in modo errato. La garanzia non è valida per:
 - qualsiasi danno al prodotto dovuto a manutenzione errata;
 - qualsiasi prodotto che sia stato alterato o modificato;
 - qualsiasi prodotto le cui marcature di identificazione originali (marchi di fabbrica, numero di serie) siano state cancellate, alterate o rimosse;
 - qualsiasi danno causato dalla non osservanza delle istruzioni del manuale;
 - qualsiasi prodotto privo di omologazione CE;
 - qualsiasi prodotto che sia stato sottoposto a un tentativo di riparazione da parte di un professionista non qualificato oppure senza la previa autorizzazione di Techtronic Industries;
 - qualsiasi prodotto collegato a un'alimentazione errata (per ampere, tensione, frequenza);
 - qualsiasi prodotto usato con una miscela di carburante errata (carburante, olio, percentuale di olio);
 - qualsiasi danno causato da influenze esterne (chimiche, fisiche, urti) o sostanze estranee;
 - la normale usura delle parti di ricambio;
 - uso inappropriato, sovraccarico dell'utensile;
 - uso di accessori o parti non omologate;
 - qualsiasi regolazione periodica o pulizia di manutenzione dei carburatori;
 - componenti (parti e accessori) soggetti alla normale usura compresi, a mero titolo esemplificativo, testine a filo, cinghie di trasmissione, frizioni, lame di tagliasiepi o tagliaerba, imbragature, cavi di accelerazione, spazzole al carbonio, cavi di alimentazione, denti, rondelle di feltro, perni di aggancio, ventole dei soffiatori, tubi di soffiatori e aspiratori, sacchetti e cinghie per aspirapolvere, barre guida, catene per seghe, tubi, raccordi di connessione, ugelli di spruzzo, ruote, erogatori, bobine interne ed esterne, linee di taglio, candele, filtri dell'aria, filtri del gas, lame per mulching ecc.
4. Per la manutenzione il prodotto dev'essere spedito o portato presso uno dei centri assistenza autorizzati RYOBI elencati per ogni paese nel seguente elenco di indirizzi dei centri. In alcuni paesi il rivenditore locale RYOBI si incarica di inviare il prodotto all'organizzazione di assistenza RYOBI. Quando si invia un prodotto a un centro assistenza RYOBI, imballarlo in modo sicuro senza contenuti pericolosi come la benzina, apporre l'indirizzo del mittente e accompagnarlo da una breve descrizione del guasto.
5. La riparazione/sostituzione ai sensi della presente garanzia è gratuita. Non costituisce un prolungamento o un nuovo inizio del periodo di garanzia. Le parti o gli utensili scambiati diventano di nostra proprietà. In alcuni paesi i costi di consegna o di spedizione postale devono essere pagati dal mittente. I diritti di legge derivanti dall'acquisto dell'utensile rimangono inalterati.
6. La presente garanzia è valida in Comunità Europea, Svizzera, Islanda, Norvegia, Liechtenstein, Turchia, Russia e Regno Unito. Al di fuori di tali aree contattare il rivenditore autorizzato RYOBI per sapere se è valida un'altra garanzia.

CENTRO SERVIZI AUTORIZZATO

Qualsiasi richiesta o problema con il prodotto può essere indirizzato ai centri di assistenza autorizzati locali (visitare www.ryobitools.eu) o direttamente a: Techtronic Industries GmbH, Max Eyth Straße 10, 71364 Winnenden, Germany. Si prega di indicare il numero di serie e il tipo di prodotto stampati sull'etichetta.

NL RYOBI GARANTIEVOORWAARDEN

Naast de wettelijke rechten die voortvloeien uit de aankoop, wordt dit product gedekt door een garantie, zoals hieronder staat vermeld.

1. De garantietermijn voor consumenten bedraagt 24 maanden en gaat in op de datum waarop het product is gekocht. Deze datum moet worden gedocumenteerd met een factuur of ander aankoopbewijs. Het product is uitsluitend ontworpen en bedoeld voor persoonlijk gebruik door consumenten. Er wordt dus geen garantie gegeven voor professioneel of commercieel gebruik.
2. Voor een deel van ons aanbod van tuingereedschappen (AC/DC) is het mogelijk om de garantietermijn te verlengen over de boven beschreven termijn, met behulp van de website www.ryobitools.eu. De gereedschappen die in aanmerking komen voor de verlenging van de garantietermijn wordt duidelijk weergegeven in winkels en/of verpakkingen en staat beschreven in de productdocumentatie. De eindgebruiker moet zijn/har nieuw gekochte gereedschappen binnen 30 dagen na aankoop online registreren. De eindgebruiker kan zich registreren voor de verlengde garantietermijn als zijn woonland staat vermeld op het online registratieformulier waar deze optie geldig is. Bovendien moeten eindgebruikers toestemming geven voor de opslag van de gegevens die online ingevuld moeten worden en moeten ze de algemene voorwaarden accepteren. Het ontvangstbewijs van de registratie, dat per e-mail wordt verzonden en de oorspronkelijke factuur met de aankoopdatum vormt het bewijs van de verlengde garantietermijn.
3. De garantie geldt tijdens de garantietermijn alle gebreken van het product vanwege defecten in vakmanschap of materiaal op de aankoopdatum. De garantie is beperkt tot reparatie en/of vervanging en bevat geen andere verplichtingen, waaronder maar niet beperkt tot incidentele of gevolgschade. De garantie is niet geldig als het product is misbruikt, in strijd met de gebruiksaanwijzing wordt gebruikt of onjuist is aangesloten. Deze garantie geldt niet voor:
 - alle schade aan het product die het gevolg is van onjuist onderhoud
 - elk product dat is veranderd of aangepast
 - elk product waar de oorspronkelijke identificatie (handelsmerk, serienummer) is beschadigd, gewijzigd of verwijderd
 - alle schade die is veroorzaakt door het niet opvolgen van de gebruiksaanwijzing
 - elk niet-CE-product
 - elk product waar een poging tot reparatie is gedaan door een niet-erkende professional of zonder voorafgaande toestemming door Techtronic Industries.
 - elk product dat is verbonden met een verkeerde inductie (amperage, spanning, frequentie)
 - elk product dat wordt gebruikt met een verkeerd brandstofmengsel (brandstof, olie, oliegehalte)
 - alle schade die is veroorzaakt door externe invloeden (chemisch, fysisch, schokken) of vreemde stoffen
 - normale slijtage van reserveonderdelen
 - ongepast gebruik, overbelasting van het gereedschap
 - gebruik van niet-goedgekeurde accessoires of onderdelen
 - Alle periodieke aanpassingen aan of het onderhoud en reiniging van carburateurs
 - Componenten (onderdelen en accessoires) die onderhevig zijn aan natuurlijke slijtage, waaronder maar niet beperkt tot stookknoppen, aandrijfriemen, koppelingen, messen van hegtrimmers of grasmaaiers, hamas, gaskabel, koolstofborstels, stroomsnoeren, tanden, viltringen, koppelingsspannen, blazers, blaas- en zuigbuizen, zuigzakken en -riemen, geleidingsstaven, zaagkettingen, slangen, koppelingen, mondstukken, wielen, spuitstokken, binnenhaspels, buitenhaspels, snijdraden, bougies, luchtfilters, gasfilters, maaimessen, etc.
4. Voor onderhoud moet het product worden verzonden of gebracht naar een erkend servicestation van RYOBI die voor elk land staat vermeld in de volgende lijst met adressen voor servicestations. In sommige landen zal uw lokale RYOBI-dealer het product verzenden naar de RYOBI-serviceorganisatie. Wanneer u het product naar een servicestation van RYOBI verzendt, moet het product veilig worden verpakt zonder enige gevaarlijke inhoud, zoals benzine, met het adres van de afzender en vergezeld van een korte beschrijving van het defect.
5. Een reparatie/vervanging die onder deze garantie valt is gratis. Het vormt geen verlenging of een nieuwe start van de garantietermijn. Vervisselde onderdelen of gereedschappen worden ons eigendom. In sommige landen moeten de verzendkosten door de afzender worden betaald. Uw wettelijke rechten die voortvloeien uit de aankoop van het gereedschap blijven onaangetaast.
6. Deze garantie is geldig binnen de Europese Gemeenschap, Zwitserland, IJsland, Noorwegen, Liechtenstein, Turkije, Rusland en het Verenigd Koninkrijk. Buiten deze gebieden moet u contact opnemen met uw erkende RYOBI-dealer om vast te stellen of er een andere garantie van toepassing is.

GEAUTORISEERD ONDERHOUDSCENTRUM

Elk verzoek of probleem met het product kan worden gericht aan uw lokale geautoriseerde servicecentra (bezoek www.ryobitools.eu) of rechtstreeks aan: Techtronic Industries GmbH, Max Eyth Straße 10, 71364 Winnenden, Germany. Vermeld het serienummer en het type product dat op het etiket staat.

PT CONDIÇÕES DE APLICAÇÃO DA GARANTIA RYOBI

Para além de quaisquer direitos previstos por lei resultantes da compra, este produto está coberto por uma garantia conforme descrição abaixo.

1. O período da garantia é de 24 meses para consumidores particulares e inicia-se na data de compra do produto. Esta data tem de ser documentada por uma factura ou por outra prova de compra. O produto foi concebido para e destina-se apenas a consumidores particulares e uso privado. Assim, não é dada garantia em caso de utilização por profissionais ou uso comercial.
2. Para uma parte da gama de ferramentas de jardim (AC/DC) existe a possibilidade de prolongamento do período da garantia para além do período descrito acima, mediante registo no Web site www.ryobitools.eu. A elegibilidade das ferramentas para prolongamento do período da garantia é claramente visível nas lojas e/ou nas embalagens e está contida na documentação do produto. O utilizador final tem de fazer o registo online das suas ferramentas recém-adquiridas no prazo de 30 dias após a data de compra. O utilizador final pode fazer o registo para prolongamento da garantia no seu país de residência, desde que esteja listado no formulário de registo online e para os casos em que esta opção seja válida. Para além disso, os utilizadores finais têm de autorizar o armazenamento dos dados cujo preenchimento lhes for solicitado online e têm de aceitar os termos e as condições. O recibo de confirmação do registo é enviado por e-mail e, em conjunto com a factura original ostentando a data de compra, servirá de prova do prolongamento da garantia.
3. A garantia cobre todos os defeitos do produto durante o período da garantia devidos a defeitos de fabrico ou de material à data da compra. A garantia está limitada à reparação e/ou substituição e não inclui quaisquer outras obrigações, incluindo mas não se limitando a, perdas complementares ou indirectas. A garantia não é válida se o produto tiver sido utilizado incorrectamente, utilizado de forma contrária ao Manual de Instruções ou se as respectivas ligações tiverem sido feitas incorrectamente. Esta garantia não se aplica ao seguinte:
 - quaisquer danos ao produto que sejam resultado de manutenção incorrecta
 - qualquer produto que tenha sido alterado ou modificado
 - qualquer produto cujas marcações de identificação de origem (marca comercial, número de série) tiverem sido apagadas, alteradas ou retiradas
 - quaisquer danos causados pelo incumprimento do Manual de Instruções
 - qualquer produto que não seja da Comunidade Europeia
 - qualquer produto ao qual tenha sido feita, ou tentada fazer, uma reparação por outra pessoa que não um profissional habilitado ou sem autorização prévia da Techtronic Industries.
 - qualquer produto ligado a uma fonte de alimentação eléctrica incorrecta (Amperes, Voltagem e Frequência)
 - qualquer produto utilizado com uma mistura de combustível incorrecta (combustível, óleo, percentagem de óleo)
 - qualquer dano causado por influências externas (químicas, físicas, impactos) ou substâncias estranhas
 - desgaste e degradação normal de sobresselentes
 - utilização incorrecta, sobrecarga da ferramenta
 - utilização de acessórios ou peças não aprovados
 - quaisquer ajustes periódicos a, ou limpeza de manutenção de, carburadores
 - Componentes (peças e acessórios) sujeitos a desgaste e degradação natural, incluindo mas não se limitando a, maçanetas anti-choque, correias de transmissão, embraiaçagens, lâminas de recortadores de sebes ou cortarelas, arneses, cabos de acelerador, escovas de carvão, cabos eléctricos, dentes, anilhas de feltro, pinos de engate, ventoinhas do soprador, tubos do soprador e do aspirador, cintas e sacos do aspirador, barras de guia, correntes de serra, mangueiras, peças de ligação, bocais de pulverização, rodas, varinhas de pulverização, bobinas interiores, bobinas exteriores, linhas de corte, velas de ignição, filtros do ar, filtros de gasolina, lâminas trituradoras, etc.
4. Para assistência, o produto tem de ser enviado para, ou apresentado em, um posto de assistência autorizado RYOBI, conforme listado para cada país na lista de moradas de postos de assistência seguinte. Nalguns países, o seu concessionário RYOBI local encarrega-se de enviar o produto para a organização de assistência RYOBI. Quando enviar um produto para um posto de assistência RYOBI, o produto deve ser embalado de forma segura, sem conter nenhuns conteúdos perigosos (por exemplo, gasolina), marcado com o endereço do remetente e acompanhado por uma breve descrição da avaria.
5. Uma reparação/substituição ao abrigo desta garantia é gratuita. Não constitui um prolongamento a, nem um novo início de, o período da garantia. As peças ou ferramentas substituídas tornam-se propriedade nossa. Nalguns países, o remetente terá de pagar os custos de entrega ou a remessa postal. Os seus direitos previstos por lei resultantes da compra da ferramenta mantêm-se inalterados
6. Esta garantia é válida na Comunidade Europeia, Suíça, Islândia, Noruega, Liechtenstein, Turquia, Rússia e Reino Unido. Fora destas áreas, entre em contacto com o seu concessionário autorizado RYOBI para determinar se existe outra garantia aplicável.

CENTRO DE ASSISTÊNCIA AUTORIZADO

Qualquer pedido ou problema relacionado com o produto pode ser encaminhado para os seus centros de reparação autorizados locais (visite www.ryobitools.eu) ou directamente para: Techtronic Industries GmbH, Max Eyth Straße 10, 71364 Winnenden, Germany. Indique o número de série e o tipo de produto impressos na etiqueta.

DA RYOBI BETINGELSER FOR GARANTI

Udover lovbestedte rettigheder, som resulterer af købet, er dette produkt dækket af en garanti, som anført herunder.

1. Garantiperioden er 24 måneder for forbrugere og begynder på den dato, som produktet blev købt. Denne dato skal dokumenteres af en faktura eller andet bevis for køb. Produktet er udelukkende designet og dedikeret til forbrugere og privat brug. Så der ydes ingen garanti i tilfælde af professionel eller kommerciel brug.
2. Der er en mulighed for at forlænge garantiperioden for en del af udvalgt af haveværktøj (AC/DC), hen over den ovenfor beskrevne periode vha. registrering på hjemmesiden www.ryobitools.eu. Berettigelsen af værktøjet til forlængelse af garantiperioden er tydeligt vist i butikker og/eller på emballage og indeholdt i produktokumentationen. Slutbrugeren skal registrere hans/hendes nyligt indkøbte værktøj online indenfor 30 dage efter købsdatoen. Slutbrugeren kan registrere sig for den forlængede garanti i sit land, hvis han/hun er opført på den online registreringsformular, hvor denne mulighed er gyldig. Derudover skal slutbrugere give deres samtykke til at opbevare data, som er påkrævet at indstætte online, og de er nødt til at acceptere vilkår og betingelser. Registreringsbekræftelseskvitteringen, som sendes ud på e-mail, og den originale faktura, som viser købsdatoen, vil fungere som bevis for den forlængede garanti.
3. Garantien dækker alle defekter, som et produkt måtte have i løbet af garantiperioden, og som skyldes produktionsfejl eller materialefejl på købsdatoen. Garantien er begrænset til reparation og/eller udskitning og inkluderer ikke andre forpligtelser, inklusiv men ikke begrænset til tilfældige skader eller følgeskader. Garantien er ugyldig, hvis produktet er blevet misbrugt, brugt uden at overholde vejledningen, eller det er blevet forkert tilsluttet. Denne garanti gælder ikke:
 - Beskadigelse af produktet, som er et resultat af uegnet vedligeholdelse
 - Et produkt der er blevet ændret eller modificeret
 - Et produkt hvor de originale identifikationsmærkninger (varemærke, serienummer) er blevet ændret, ødelagt eller fjernet.
 - Enhver beskadigelse forårsaget af manglende overholdelse af vejledningen
 - Ethvert ikke CE-produkt
 - Ethvert produkt som er blevet forsøgt repareret af en ukvalificeret professionel eller uden tidligere autorisation af Techtronic Industries.
 - Ethvert produkt som er tilsluttet uegnet strømforsyning (ampere, spænding, frekvens)
 - Ethvert produkt som bruges med uegnet brændstofblanding (brændstof, olie, procentdel olie)
 - Enhver skade forårsaget af eksternt påvirkning (kemisk, fysisk, chok) eller fremmedelementer
 - Normal slid på reservedele
 - Uegnet brug, overbelastning af værktøjet
 - Brug af ikke-godkendt tilbehør eller dele
 - Alle regelmæssige justeringer eller vedligeholdelsesrengøring af karburatorer
 - Komponenter (dele og tilbehør) som er udsat for naturlig slid og ælde, inklusiv men ikke begrænset til drejeknapper, drivrem, greb, klinger til hækktrimmere eller plæneklippere, sele, kabel gasspænd, kulbøster, elledning, tænder, filterkiver, ophængstapper, blæseventilatorer, blæser- og sugeslanger, sugespøse og stropper, styrestænger, savkæder, slanger, forbindelsespakninger, sprøjetjyser, hjul, sprøjetæve, indvendige ruller, udvendige ruller, udvendige spoler, skærelinjer, tændrør, luftfiltre, gasfiltre, tildækningsblade etc.
4. For eftersyn skal produktet sendes til eller præsenteres for en RYOBI-autoriseret service værksted, som er oplyst for hvert land i den følgende liste over service værksted adresser. I nogle lande påtager din lokale RYOBI-forhandler sig ansvaret for at sende produktet til RYOBI-serviceorganisationen. Når et produkt sendes til en RYOBI-service værksted, skal det pakkes sikkert inden noget farligt indhold som benzin, mærkes med afsenderens adresse og med en kort beskrivelse af fejlen.
5. En reparation/erstatning under denne garanti er gratis. Den udgør ikke en forlængelse eller en ny start på garantiperioden. Udvekslede dele eller værktøjer bliver vores ejendom. I nogle lande skal leveringsafgifter eller porto betales af afsenderen. Dine lovbestedte rettigheder i forbindelse med købet forbliver uanfægtede
6. Denne garanti gælder i EU, Schweiz, Island, Norge, Liechtenstein, Tyrkiet, Rusland og Storbritannien. Udenfor disse områder bedes du kontakte din autoriserede RYOBI-forhandler for at afgøre, om en anden garanti gælder.

AUTORISERED SERVICE/VÆRKSTEDER

Enhver anmodning eller problem angående produktet kan adresseres til dine lokale autoriserede servicecentre (gå ind på www.ryobitools.eu) eller direkte til: Techtronic Industries GmbH, Max Eyth Straße 10, 71364 Winnenden, Germany. Angiv serienummer og produkttype, der er trykt på etiketten.

SV RYOBI ANVÄNDNINGSVILLKOR FÖR GARANTI

Förutom eventuella lagstadgade rättigheter som uppstår genom köpet, täcks den här produkten av en garanti som anges nedan.

- Garantiperioden är 24 månader för konsumenter och börjar gälla från det datum då produkten köptes. Detta datum måste dokumenteras på en faktura eller annat köpbevis. Produkten är utformad och avsedd för konsumenter och privat bruk. Därmed tillhandahålls ingen garanti vid yrkesmässigt eller kommersiellt bruk.
- Det finns möjlighet att förlänga garantiperioden för en del av utbudet för trädgårdsverktyg (AC/DC) under den period som anges ovan genom att använda registreringen på webbplatsen www.ryobitools.eu. De verktyg som är berättigade till en förlängning av garantiperioden visas tydligt i butik och/eller på förpackningen/och anges i produktdokumentationen. Slut användaren behöver registrera hans/hennes nyförvärvade verktyg online inom 30 dagar från köpdatumet. Slut användaren kan registrera sig för den förlängda garantin i det land där han/hon bor om landet finns angivet i registreringsformuläret online och där detta alternativ är giltigt. Dessutom måste slut användaren ge sitt medgivande till lagring av data vilket krävs vid registrering online samt acceptera villkoren. Bekräftelsekvittot för registreringen som skickas ut via e-post och originalfakturan som visar köpdatumet kommer att gälla som bevis för den förlängda garantin.
- Garantin täcker alla produktdefekter under garantiperioden som beror på buster i utförande eller material vid köpdatumet. Garantin är begränsad gällande reparation och/eller utbyte och inkluderar inte några skyldigheter inklusive men inte begränsat till oförutsedda skador eller följskadorna. Garantin är inte giltig om produkten har missbrukats, använts i strid med bruksanvisningen eller inte anslutits på rätt sätt. Denna garanti täcker inte:
 - eventuella skador på produkten som uppstått till följd av felaktigt underhåll
 - produkter som har ändrats eller modifierats
 - produkter där ursprungliga identifieringsmärkningar (varumärke, serienummer) har målats över, ändrats eller tagits bort
 - eventuella skador som uppstått till följd av att bruksanvisningen inte efterföljts
 - alla icke CE-produkter
 - eventuella produkter som har försökts repareras av en icke-kvalificerad yrkesman eller utan föregående medgivande från Technronic Industries.
 - eventuella produkter som anslutits till felaktigt strömförsörjning (ampere, volt, frekvens)
 - eventuella produkter som använts med olämplig bränsleblandning (bränsle, olja, oljeprocent)
 - eventuella skador som uppstått till följd av yttre påverkan (kemisk, fysisk, stötar) eller främmande ämnen
 - normalt slitage av reservdelar
 - olämplig användning, överbelastning av verktyget
 - användningen av icke-godkända tillbehör eller delar
 - Eventuella periodiska justeringar av eller vid underhållsrengöring av förgasare
 - Komponenter (delar och tillbehör) är föremål för naturligt slitage, inklusive men inte begränsat till tryckknappar, drivremmar, koppling, blad till kantrimrar eller gräsklippare, sele, gasreglagevajer, kolborstar, strömstadd, spetsar, filterbrickor, kopplingsprint, blåsflikt, blås- och sugrör, sugpåse och remmar, styrskenor, sägkedjor, slangar, anslutningsdonrördel, spraymunstycken, hjul, spraystavar, innerskruvar, ytterskruvar, skärblad, tändstift, luftfilter, gasfilter, sönderdelningsblad osv.
- Vid service måste produkten skickas eller uppvisas för en RYOBI- auktoriserad servicestation som står angiven för varje land i följande adresslista över servicestationer. I vissa länder tar din lokala RYOBI-återförsäljare på sig ansvaret att skicka produkten till RYOBI-serviceorganisationen. När en produkt skickas till en RYOBI-servicestation, ska produkten paketeras säkert utan något farligt innehåll såsom bensin, markeras med avsändarens adress samt en kort beskrivning av felet.
- En reparation/ett utbyte under denna garanti är kostnadsfri. Det utgör inte en förlängning eller förnyelse av garantiperioden. Utbyta delar eller verktyg blir vår egendom. I vissa länder måste leveranskostnader eller porto betalas av avsändaren. Dina lagstadgade rättigheter som härrör från köpet av verktyget förblir opåverkade
- Denna garanti är giltig i Europeiska gemenskapen, Schweiz, Island, Norge, Liechtenstein, Turkiet, Ryssland och Storbritannien. Utanför dessa länder, kontakta din auktoriserade RYOBI-återförsäljare för att avgöra om en annan garanti gäller.

AUKTORISERAT SERVICECENTER

Varje begäran eller problem avseende produkten kan adresseras till ditt lokala auktoriserade servicecenter (besök www.ryobitools.eu) eller direkt till: Technronic Industries GmbH, Max Eyth Straße 10, 71364 Winnenden, Germany. Ange serienumret och produkttypen som anges på etiketten.

FI RYOBI-TAKUUN SOVELTAMISEHDOT

Tällä tuotteella on oston luomien lakisäästeiden oikeuksien ohella alla mainitun mukainen takuu.

- Takuun kesto on kuluttajille 24 kuukautta ja takuu-aika alkaa tuotteen ostohetkestä. Tämän päivämäärän tulee lukea laskussa tai muussa ostositteessä. Tuote on suunniteltu ja tarkoitettu vain kuluttajien ja yksityiseen käyttöön. Takuu ei siis kata ammatti- eikä kaupallista käyttöä.
- Joidenkin puutarhatyökalujen (AC/DC) takuun kesto on mahdollista laajentaa yllä mainittua kestoä pidemmäksi verkkosivuston www.ryobitools.eu rekisteröinnin kautta. Työkalujen kelpoisuus takuujakson laajennukseen näky selkeästi myymälöissä ja/tai pakkauksissa ja/tai tämä tieto sisältyy tuotedokumentaation. Loppukäyttäjän täytyy rekisteröidä vasta hankittu työkalu internetissä 30 päivän kuluessa ostopäivämäärästä. Loppukäyttäjällä voi rekisteröidä laajennettua takuun kolmaansa, jos se on luettuna online-rekisteröintilomakkeessa, jossa mainitaan, missä tämä vaihtoehto on voimassa. Loppukäyttäjien täytyy lisäksi hyväksyä tietojen tallennus, jotka heidän täytyy antaa online-tilassa sekä ehdot. Rekisteröinnin vahvistuskuitti, joka lähetetään sähköpostitse, ja alkuperäinen ostopäivämäärän ilmaiseva lasku toimivat laajennettua takuun tosittaina.
- Takuu kattaa kaikki tuotteen teknisiin vaurioihin, joiden aiheuttajina ovat tuotteen ostopäivänä olleet valmistus- tai materiaali- vauriot. Takuu on rajoitettu korjaukseen ja/tai vaihtoon eikä se sisällä mitään muita velvoitteita mukaan lukien satunnais- ja seuranaisvahinkoja, mutta rajoittumatta niihin. Takuu ei päde, jos tuotetta on käytetty väärin, käyttöohjeen vastaisesti tai jos se on liitetty virheellisesti. Tämä takuu ei kata:
 - virheellisestä huollosta johtuvia vaurioita
 - muunnettua tai muutettua tuotetta
 - tuotetta, jonka alkuperäiset tunnistemerkinnät (tavaramerkki, sarjanumero) on turmeltu, muutettu tai poistettu
 - tämän käyttöoppaan laiminlyönnistä johtuvia vaurioita
 - ei-CE-tuotetta
 - tuotetta, jota on yrittänyt korjata epäpätevä ammattilainen tai joka on korjattu ilman Technronic Industriesin ennakkolupaa.
 - tuotetta, joka on liitetty virheelliseen tehollisuuteen (ampeirit, jännite, taajuus)
 - tuotetta, jossa on käytetty väärää polttoainesta (polttoaine, öljy, öljyprosentti)
 - ulkoisten vaikutusten (kemiallinen, fyysinen, iskut) tai vieraiden aineiden aiheuttamaa vauriota
 - normaaleja kulumia vaurioita
 - virheellistä käyttöä, työkalun ylikuormitusta
 - ei-hyväksytyjen tarvikkeiden tai osien käyttöä
 - Kaasutinten säännöllistä säätöä tai ylläpitävää puhdistusta
 - Luonnollisesti kulumia komponentteja (osia tai tarvikkeita), joihin sisältyvät puskunupit, käyttöahinat, kytkin, pensasleikkuriin tai ruohonleikkuriin terät, valjaat, kaasuvaijeri, hiiharijat, virtajohto, piikit, huopatiivistet, sokkatapit, puhallintuuletimet, puhallin- ja imuputket, imuriin säkit ja hinnat, terälevyt, sahanketjut, letkut, liitinosa, suihkusuuttimet, pyörät, ruiskutusputket, sisä- ja ulkoelikat, leikkusuimat, hehkutulpat, ilmaansuodattimet, kaasusuodattimet, silpputerät yms. näihin kuitenkin rajoittumatta.
- Tuote on lähetettävä huollettavaksi valtuutettuun RYOBI-huoltoon tai näytettävä siellä. Niiden osoitteet kussakin maassa löytyvät seuraavasta luettelosta. Joissakin maissa paikallinen RYOBI-jälleenmyyjä huolehtii tuotteen lähetyksestä RYOBI-huolto-organisaatioon. Kun tuote lähetetään RYOBI-huoltoon, se täytyy pakata hyvin ilman vaarallisia aineita, kuten polttoainetta, ja pakkaukseen täytyy merkitä lähettäjän nimi sekä vian lyhyt kuvaus.
- Takuun kattama korjaus/vaihto on maksuton. Se ei tarkoita takuuaajan laajennusta tai alkamista alusta. Vaihdetut osat tai työkalut siirtyvät valmistajan omistukseen. Joissakin maissa lähettäjän täytyy maksaa lähetyksustannukset tai postikulut. Työkalun oston luomat lakisäästeiset oikeudet pysyvät koskemattomina
- Tämä takuu on voimassa Euroopan yhteisössä, Sveitsissä, Islannissa, Norjassa, Liechtensteinissä, Turkissa, Venäjällä ja Yhdistyneessä kuningaskunnassa. Osa näiden alueiden ulkopuolella yhteyttä omaan valtuutettuun RYOBI-jälleenmyyjään ja selvitä, onko jotain muuta takuuta.

VALTUUTETTU HUOLTO

Kaikki tuotteen liittyvät pyynnöt tai kysymykset voidaan osoittaa paikallisille valtuutetuille huoltoilikeille (katso www.ryobitools.eu) tai suoraan osoitteeseen: Technronic Industries GmbH, Max Eyth Straße 10, 71364 Winnenden, Germany. Ilmoita tarraan painettu sarjanumero ja tuotetyyppi.



NO RYOBI GARANTIBETINGELSER

I tillegg til eventuelle lovbestemte rettigheter som følger av kjøpet, er dette produktet dekket av en garanti som angitt nedenfor.

- Garantiperioden er 24 måneder for konsumenter og gjelder fra den datoen som produktet ble kjøpt. Denne datoen skal dokumenteres med en faktura eller annet kjøpsbevis. Produktet er designet og beregnet kun til konsument- og privat bruk. Så det gis ingen garanti ved profesjonell eller kommersiell bruk.
- For en del av utvalget av hageverktøy (AC/DC) er det mulighet til å utvide garantiperioden i den perioden som er beskrevet ovenfor ved bruk av registreringer på nettsidene www.ryobitools.eu. Kvalifiseringen av verktøyene for en utvidelse av garantiperioden er tydelig vist i butikker og/eller på pakningen / og finnes innen produktdokumentasjonen. Slutbrukeren må registrere sine nylig anskaffede verktøy online innen 30 dager etter kjøpsdato. Slutbrukeren kan registrere seg for den utvidede garantien i sitt land hvis det er opplistet på online registreringsskjemaet der dette alternativet er gyldig. Videre må slutbrukere gi sitt samtykke til oppbevaring av dataene som kreves for å gå online, og de må godta vilkår og betingelser. Registreringsbekreftelsen, som sendes ut på e-post, og den originale fakturaen som viser kjøpsdato, vil tjene som bevis for den utvidede garantien.
- Garantien dekker alle defekter i produktet under garantiperioden på grunn av defekter i uferøse eller materiale på kjøpsdato. Garantien er begrenset til å reparere eller erstatte og inkluderer ikke noen andre forpliktelser, inkludert, men ikke begrenset til, tilfellede eller følgesmessige skader. Garantien er ikke gyldig hvis produktet har blitt misbrukt, brukt på annen måte enn det som beskrives i bruksanvisningen eller er koblet til på feil måte. Denne garantien gjelder ikke for:
 - enhver skade på produktet som er resultat av utilstrekkelig vedlikehold
 - ethvert produkt som har blitt endret eller modifisert
 - ethvert produkt der de originale identifiseringsmerkene (varemerke, serienummer) har blitt uleselig, er endret eller fjernet
 - enhver skade som forårsakes av ikke-overholdelse av instruksjonshåndboken
 - ethvert ikke-CE-produkt
 - ethvert produkt som har blitt forsøkt reparert eller av en ikke-kvalifisert fagperson eller uten tidligere autorisasjon fra Technronic Industries.
 - ethvert produkt tilkoblet feil strømforsyning (ampere, spenning, frekvens)
 - ethvert produkt som brukes med feil drivstoffblanding (drivstoff, olje, prosentandel olje)
 - enhver skade som er forårsaket av eksterne påvirkninger (kjemiske, fysiske, støt) eller fremmede stoffer
 - normal slitasje og sliteser vedeler
 - feil bruk, overbelastning av verktøyet
 - bruk av ikke-godkjent tilbehør eller deler
 - Eventuelle periodiske justeringer av eller vedlikeholdsrengjøring av forbrennere
 - Komponenter (deler og tilbehør) som er underlagt naturlig slitasje, inkludert, men ikke begrenset til bulkknott, drivreimer, clutch, blader på hekktrimmere eller gressklippere, seler, kabelspjeld, karbonbørster, strømledning, kniver, feltpakninger, heispinner, blåsevifter, blåse- og vakuumslang, vakuumpose og reimer, førerstenger, sagkjeder, strømper, koblingsmonteringer, spraydyser, hjul, spraystenger, indre spoler, ytre spoler, kutteliner, tennplugg, luftfilter, gassfilter, mulchingblader osv.
- For service må produktet sendes eller fremlegges for en RYOBI- autorisert servicestasjon opplistet for hvert land i den følgende listen over servicestasjonsadresser. I noen land sender den lokale RYOBI-forhandleren produktet til RYOBI serviceorganisasjonen. Ved å sende et produkt til en RYOBI servicestasjon skal produktet være sikkert pakket uten noe farlig innhold, slik som bensin, merket med senderens adresse og fulgt av en kort beskrivelse av feilen.
- En reparasjon/erstatning under denne garantien er gratis. Den utgjør ingen forlengelse eller en ny start av garantiperioden. Utvekslede deler eller verktøy blir vår eiendom. I noen land vil leveringskostnader eller franking måtte betales av senderen. Dine lovbestemte rettigheter som oppstår fra kjøp av verktøyet forblir uberørt.
- Denne garantien er gyldig i EU, Sveits, Island, Norge, Liechtenstein, Tyrkia, Russland og Storbritannia. Utenfor disse områdene ta kontakt med din autoriserte RYOBI-forhandler om en annen garanti gjelder.

AUTORISERT SERVICESTER

Enhver forespørsel eller problem med produktet kan henvises til de lokale autoriserte servicestasjonene (se www.ryobitools.eu) eller direkte til: Technronic Industries GmbH, Max Eyth Straße 10, 71364 Winnenden, Germany. Angi serienummer og produkttype som er trykket på etiketten.

RU УСЛОВИЯ ПРИМЕНЕНИЯ ГАРАНТИИ НА ПРОДУКЦИЮ RYOBI

Помимо законных прав, возникающих при покупке, данное изделие покрывается гарантией в соответствии с приведенными ниже пунктами.

- Гарантийный период для покупателя составляет 24 месяца с даты покупки изделия. Дата покупки должна быть подтверждена полностью заполненным гарантийным талоном и чеком о покупке. Данное изделие предназначено только для частного использования покупателем. Поэтому гарантия не распространяется на использование в профессиональных или коммерческих целях.
- Предусмотрена возможность продления для части изделий линейки садовых инструментов (AC/DC) гарантийного периода с помощью регистрации на сайте www.ryobitools.eu. Право инструмента на продление гарантийного периода четко указано в магазинах и / или на упаковке / и содержится в сопутствующей инструменту документации. Конечный пользователь должен зарегистрировать свой приобретенный инструмент в течение 30 дней с даты покупки. Конечный пользователь может зарегистрировать свой инструмент на продление гарантии в стране своего проживания, если она указана в форме онлайн-регистрации. Кроме того, конечный пользователь должен дать свое согласие на хранение данных, которые необходимо ввести в онлайн-форму и принять правила и условия. Подтверждение регистрации, которое вы получите по электронной почте, заполненный гарантийный талон и оригинальный чек, в котором указана дата покупки, будут служить доказательством продленной гарантии.
- Гарантия покрывает в течение гарантийного периода все дефекты качества или материала изделия на дату покупки. Гарантия ограничена ремонтом и / или заменой и не включает никакие другие обязательства, включая, но не ограничиваясь случайными или косвенными убытками. Гарантия становится недействительной, если изделие использовалось не по назначению, вопреки инструкциям, данным в Руководстве пользователя или было неправильно подключено. Настоящая гарантия не распространяется на:
 - любые повреждения изделия в результате неправильного технического обслуживания или недостаточного ухода за инструментом
 - любые изделия, подвергшиеся изменениям и модификации
 - любые изделия, оригинальные идентификационные отметки которого (торговая марка, серийный номер) были повреждены, изменены или удалены
 - любые повреждения, вызванные несоблюдением инструкций Руководства пользователя
 - любые изделия, не сертифицированные маркировкой "CE" для продажи в Европейском союзе
 - любые изделия, подвергшиеся попыткам ремонта неквалифицированным работником или без предварительного утверждения компаний Technronic Industries.
 - любые изделия, подключенные к неправильно источнику питания (сила тока, напряжение, частота)
 - любые изделия, в которых использовались несоответствующие топливные смеси (топливо, масло, процент масла)
 - любые повреждения, вызванные внешними воздействиями (химические, физические, удары) или посторонними веществами
 - естественный износ запасных деталей
 - несоответствующее использование, перегрузка инструмента
 - использование неутвержденных аксессуаров и неоригинальных запасных деталей
 - любые регулярные регулировки, техническое обслуживание или чистка карбюраторов
 - компоненты (детали и аксессуары), подверженные естественному износу, включая, но не ограничиваясь фиксаторы шпули приводные ремни, сцепные муфты, лезвия триммеров и газонокосилок, плечевые ремни, кабельный дроссельный регулятор, угольные щетки, кабели питания, зубья, волочные шайбы, фиксирующие шпильки, вентиляторы воздухоуду, трубки воздухоуду и пылесоса, мешок для сбора мусора и ремни, пыльные шины, пыльные щели, шланги, соединительные детали, распылительные насадки, колеса, распылительные переходники, внутренние катушки и шпули, режущую леску, свечи зажигания, воздушные и топливные фильтры, мультицирующие лезвия и др.
- Для проведения технического обслуживания изделие следует направлять в авторизованные сервисные центры RYOBI, указанные для каждой страны в приведенном ниже списке адресов станций сервисного обслуживания. В некоторых странах местные дилеры RYOBI отправляют изделия в сервисные организации RYOBI. При отправке изделия в сервисный центр RYOBI, изделие должно быть безопасно упаковано и не содержать никаких опасных веществ, таких как бензин, должен быть подписан адрес отправителя и сопровождаться кратким описанием неисправности.
- Ремонт / замена проводится в рамках настоящей гарантии бесплатно. Он не продлевает гарантию и не начинает новый гарантийный период. Заменяемые детали и инструменты становятся нашей собственностью. В некоторых странах отправитель должен оплачивать стоимость отправки. Ваши законные права, возникшие при покупке инструмента, остаются неизменными
- Настоящая гарантия действительна в Европейском Сообществе, Швейцарии, Исландии, Норвегии, Лихтенштейне, Турции, России и Великобритании. Вне указанных территорий обращайтесь к своему авторизованному дилеру RYOBI, чтобы узнать, применяются ли условия каких-либо других гарантий.

УПОЛНОМОЧЕННЫЙ СЕРВИСНЫЙ ЦЕНТР

При возникновении проблем с изделием обращайтесь в один из региональных авторизованных сервисных центров (см. www.ryobitools.eu) или напрямую: Technronic Industries GmbH, Max Eyth Straße 10, 71364 Winnenden, Germany. Укажите серийный номер и тип изделия, указанные на табличке.



PL WARUNKI GWARANCJI RYOBI

Opórcz praw ustawowych wynikajících z zakupu produkt jest objęty gwarancją, której warunki podano poniżej.

- Okres gwarancji wynosi 24 miesiące dla konsumentów i rozpoczyna się w dniu zakupu produktu. Datę zakupu należy udokumentować fakturą lub innym dowodem zakupu. Produkt został zaprojektowany i jest przeznaczony do użytku konsumencijskiego i prywatnego. W związku z tym gwarancja nie obejmuje zastosowań profesjonalnych i komercyjnych.
- Istnieje możliwość wydłużenia okresu gwarancyjnego dla części asortymentu narzędzi ogrodniczych (AC/DC) poprzez zarejestrowanie produktu na stronie internetowej www.ryobitools.eu. Kwalifikowalność narzędzi do wydłużenia okresu gwarancyjnego jest wyraźnie określona w sklepach i/lub na opakowaniu oraz w dokumentacji produktu. Użytkownik końcowy musi zarejestrować nowo kupione narzędzia online w ciągu 30 dni od daty zakupu. Użytkownik końcowy może zarejestrować się w celu przedłużenia gwarancji w swoim kraju zamieszkania, jeżeli jest on wymieniony w formularzu rejestracji online, gdzie opcja ta obowiązuje. Ponadto użytkownicy końcowi muszą wyrazić zgodę na przechowywanie danych, wprowadzanych na stronie internetowej i zaakceptować regulamin. Dowodem wydłużenia gwarancji jest wysłane pocztą elektroniczną potwierdzenie rejestracji i oryginalny faktura potwierdzający datę zakupu.
- Gwarancja obejmuje wszystkie wady produktu ujawnione w okresie gwarancyjnym wynikające usterek wykonania lub materiału obecných w dniu zakupu. Gwarancja jest ograniczona do naprawy i/lub wymiany i nie obejmuje żadnych innych zobowiązań, w tym między innymi odpowiedzialności za szkody przypadkowe lub wtórne. Gwarancja nie obejmuje, jeżeli produkt był nieprawidłowo używany, używany niezgodnie z instrukcją lub nie był prawidłowo podłączony. Gwarancja nie obejmuje:
 - uszkodzenia produktu wynikającego z nieprawidłowej konserwacji,
 - produktu, który został zmieniony lub zmodyfikowany,
 - produktu, którego oryginalne oznaczenie (znak towarowy, numer seryjny) zostało zniszczone, zmienione lub usunięte,
 - jakiegokolwiek uszkodzeń wynikających z nieprzestrzegania instrukcji,
 - jakiegokolwiek produktu bez certyfikatu CE,
 - jakiegokolwiek produktu, który próbowano naprawić z pomocą niewykwalifikowanej osoby lub bez uzyskania wcześniejszej zgody firmy Technronic Industries.
 - jakiegokolwiek produktu podłączonego nie prawidłowego źródła zasilania (nieprawidłowe nateżenie prądu, napięcie, częstotliwość),
 - jakiegokolwiek produktu, który był używany z nieprawidłową mieszanką paliwową (paliwo, olej, procentowy udział oleju),
 - jakiegokolwiek uszkodzeń spowodowanych wpływem czynników zewnętrznych (chemicznych, fizycznych, drgan) lub substancji obcych,
 - normalnego zużycia części zamienných,
 - nieprawidłowego użycia, przeciążenia narzędzia,
 - stosowania niezatwierdzonych akcesoriów lub części,
 - jakiegokolwiek okresowych regulacji lub czyszczenia gaźników w ramach konserwacji
 - elementów (części i akcesoriów) podlegających naturalnemu zużyciu, obejmujących, między innymi, kopolki do zwalniania żyłki, pasy napędowe, sprzęgło, ostrza przycinarek do żywopłotów lub kosiarzek do trawy, uprząż, przepustnicę linkową, szczotki węglowe, przewód zasilania, zęby, podkładki filcowe, kołki podnośnika, wentylatory dmuchawy, rury nadmuchowe i ssawne, worek na śmieci i paski, prowadnice, łańcuchy piły, węże, mocowanie złącz, dysze natryskowe, koła, przęty natryskowe, szpule wewnętrzne, szpule zewnętrzne, filtry gazu, ostrza do ściółkowania itp.
- W celu serwisowania produkt należy wysłać lub okazać w autoryzowanym punkcie serwisowym RYOBI znajdującym się na przedstawionym poniżej wykazie punktów serwisowych w poszczególnych krajach. W niektórych krajach lokalny dystrybutor produktów RYOBI podejmuje się wysyłki produktu do centrum serwisowego RYOBI. W przypadku wysyłki do punktu serwisowego RYOBI produkt — pozbawiony jakiegokolwiek niebezpiecznych substancji, na przykład benzyny — należy bezpiecznie zapakować i dołączyć adres nadawcy oraz krótki opis usterki.
- Naprawa/wymiana w ramach niniejszej gwarancji jest bezpłatna. Nie stanowi jednak o przedłużeniu lub rozpoczęciu od nowa biegu okresu gwarancyjnego. Wymienione części lub narzędzia stają się naszą własnością. W przypadku niektórych krajów nadawca będzie musiał uregulować koszty dostawy lub opłaty pocztowe. Prawa ustawowe wynikające z zakupu narzędzia pozostają niezmienione.
- Niniejsza gwarancja obowiązuje we Wspólnocie Europejskiej, Szwajcarii, na Islandii, w Norwegii, a także w Liechtensteinie, Turcji, Rosji oraz Zjednoczonym Królestwie Wielkiej Brytanii i Irlandii Północnej. Poza tymi obszarami należy skontaktować się z autoryzowanym dostawcą produktów RYOBI i ustalić, czy obowiązuje inna gwarancja.

AUTORYZOWANY PUNKT SERWISOWY

Wszelkie zapytania i problemy z produktem można zgłaszać do lokalnych autoryzowanych centrów serwisowych (patrz www.ryobitools.eu) lub bezpośrednio do: Technronic Industries GmbH, Max Eyth Straße 10, 71364 Winnenden, Germany. Prosimy o podanie wydrukowanego na etykiecie numeru seryjnego oraz typu produktu.

CS ZÁRUČNÍ PODMÍNKY RYOBI

Kromě zákonných práv vyplývajících z koupě výrobku se na tento výrobek vztahuje také níže uvedené záruka.

- Záruční doba pro spotřebitele je 24 měsíců a začíná datem nákupu výrobku. Datum musí být zaznamenáno na fakturě nebo jiném dokladu o koupi. Tento výrobek je navržen a určen pouze pro soukromé účely spotřebitele. Záruka se tedy nevztahuje na profesionální nebo komerční využití výrobku.
- U některých zahradních nástrojů (AC/DC) je možné záruční dobu prodloužit. K tomu je nutná registrace na stránkách www.ryobitools.eu. Možnost prodloužené záruční doby výrobků je jasné uvedena v prodejních, popř. na obalech nebo v dokumentech o výrobku. Koncový uživatel musí svůj nový nástroj zaregistrovat online do 30 dnů od data nákupu. Koncový uživatel se může k prodloužené záruční době zaregistrovat v zemi trvalého pobytu, pokud je tato uvedena na internetovém registračním formuláři u výrobku, kde je tato možnost dostupná. Koncový uživatel musí dále souhlasit s uložením osobních údajů, která musí zadat na internetu, a přijmout obchodní podmínky. E-mail s potvrzením registrace a původní faktura s datem koupě poslouží jako důkaz o prodloužené záruce.
- Záruka se vztahuje na veškeré vady na výrobku v rámci záruční doby způsobené výrobními vadami nebo vadami materiálu v době koupě. Záruka je omezena na opravu, popřípadě výměnu a nezahrnuje žádné další povinnosti, včetně mimo jiné vedlejších či následných odškodnění. Záruka neplatí při použití výrobku k nevhodným účelům, v rozporu s uživatelskou příručkou nebo při nesprávném zapojení. Záruka se nevztahuje na:
 - veškeré škody na výrobku způsobené nesprávnou údržbou
 - veškeré produkty, které byly pozměněny nebo upraveny
 - veškeré produkty, kde byly původní identifikační prvky (obchodní značka, sériové číslo) poničeny, pozměněny nebo odstraněny
 - veškeré škody způsobené nedodržením podmínek uživatelské příručky
 - veškeré produkty bez CE certifikace
 - veškeré produkty, které se pokusil opravit nekvalifikovaný odborník nebo opravy bez předchozího svolení společnosti Technronic Industries.
 - veškeré produkty zapojené do nesprávného elektrického zdroje (proud, napětí, frekvence)
 - veškeré produkty používané s nevhodnou palivovou směsí (palivo, olej, procento oleje)
 - veškeré škody způsobené externími vlivy (chemickými, fyzickými, nárazy) nebo cizími látkami
 - běžné opotřebování dílů
 - nevhodné použití, přetěžování nástroje
 - použití neschválených příslušenství nebo dílů
 - veškerá pravidelná seřízení nebo čištění v rámci údržby karburátorů
 - komponenty (díly a příslušenství) podléhající opotřebení, včetně mimo jiné nárazových koleček, posuvných pásů, spojek, nožů plovových nůžek a sekaček na trávu, popruhu, plynového lanka, karbonových kartáčů, napájecího kabelu, zubů, plstěných podložek, závesných kolíků, větráků fukaru, trubic fukaru a vysavače, vaku a popruhu vysavače, vodících listů, plových řetězů, hadic, konektorů, trysek, kol, stříkačích tyčí, vnitřních cívek, vnějších kotočů, řezných strun, zapalovačích svíček, vzduchových filtrů, plynových filtrů, mulčovačích nožů atd.
- K provedení servisu musí být výrobek zaslán nebo předán do autorizovaného servisního centra společnosti RYOBI, jejichž adresy jsou uvedeny podle zemí v seznamu servisních center. V některých zemích za vás výrobek pošle servisní organizaci RYOBI sám prodejce výrobků této značky. Při zaslání výrobku do servisního centra RYOBI je potřeba výrobek bezpečně zabalit bez nebezpečného obsahu jako benzín, opatřit adresou odesílatele a připojit krátký popis závady.
- Oprava, popř. výměna v rámci této záruky je zdarma. Neznámená o prodloužení nebo začátku nové záruční lhůty. Vyměněné díly nebo nástroje přejdou do našeho vlastnictví. V některých zemích platí poštovné odesílatele. Vaše zákonná práva vyplývající z koupě tohoto nástroje zůstávají nedotčena.
- Tato záruka platí v Evropském společenství, Švýcarsku, na Islandu, v Norsku, Liechtensteinu, Turecku, Rusku a Spojeném království. Mimo tato území kontaktujte autorizovaného prodejce značky RYOBI, který zjistí, zda se na výrobek vztahuje jiná záruka.

POVĚŘENÉ SERVISNÍ STŘEDISKO

S požadavky nebo problémy týkajícími se tohoto výrobku se můžete obracet na místní pověřené servisní středisko (podle www.ryobitools.eu) nebo přímo na: Technronic Industries GmbH, Max Eyth Straße 10, 71364 Winnenden, Germany. Uveďte výrobní číslo a druh výrobku ze štítku.



HU A RYOBI GARANCIA ALKALMAZÁSÁNAK FELTÉTELEI

A vásárlásból adódó törvényben rögzített jogok mellett a termékre az alábbi garancia vonatkozik.

1. A fogyasztói garancia tartama 24 hónap, mely a termék vásárlásának napjával kezdődik. Ezt a dátumot számlával vagy a vásárlást igazoló egyéb dokumentummal kell bizonyítani. A termék rendelése csak fogyasztói és magánéltelű használat. Ezért professzionális vagy kereskedelmi használat esetén a garancia nem érvényes.
2. A kerti szerszámok (egyenáramú/váltóáramú) egy részénél a garancia időtartama a www.ryobitools.eu weboldalon regisztrálva meghosszabbítható. Az áruházakban, a csomagoláson, illetve a termék dokumentációjában egyértelműen jelezzve van, hogy az adott termék garanciája meghosszabbítható-e. A végfelhasználónak a vásárlás dátumától számított 30 napon belül regisztrálnia kell az újonnan vásárolt szerszámot. A végfelhasználó akkor regisztrálhat a kiterjesztett garanciára, ha az ország, ahol lakik, fel van sorolva az online regisztrációs újrapon azon országok között, ahol választható ez az opció. Ezenkívül a végfelhasználónak bele kell egyeznie az online regisztrálás során megadott adatok tárolásába, és el kell fogadnia a felhasználási feltételeket. A kiterjesztett garanciát a regisztráció beérkezésétől e-mailben küldött visszaigazolás és a vásárlás dátumát tartalmazó eredeti számla igazolja.
3. A garancia a termék vásárlásakor fennálló, a gyártás során keletkezett hibákra és anyaghibákra érvényes a garanciális időtartamon belül. A garancia csak a javításra/cserére korlátozódik, és nem terjed ki semmilyen egyéb kötelezettségre, nem kizárólagosan ideértve a véletlen vagy szándékos rongálást. A garancia nem érvényes, ha a termék nem megfelelően, a használati utasításban foglaltakkal ellentétben, illetve nem megfelelően csatlakoztatva használták. A garancia nem vonatkozik:
 - a terméket a nem megfelelő karbantartás következtében ért károsodásra
 - megváltoztatott vagy átalakított termékre
 - olyan termékre, melyen az eredeti azonosítókat (védjegy, sorozatszám) megromlottak, megváltoztatták vagy eltávolították
 - a használati utasítás be nem tartásából eredő kára
 - CE jelöléssel nem rendelkező termékekre
 - olyan termékre, melyet nem képzett, illetve a Technonic Industries által nem fejlesztett szerelő javított
 - nem megfelelő (áramerősségű, feszültségű, frekvenciájú) áramforrásra csatlakoztatott termékre
 - nem megfelelő üzemanyag-keverékkel (üzemanyag, olaj, olaj aránya) használt termékre
 - külső (vegyi, fizikai, ütés) hatásokból vagy idegen anyagokból eredő károkkra
 - a cserélhető alkatrészek természetes kopására és elhasználódására
 - a szerszám helytelen használatára, túlterhelésére
 - nem jóváhagyott tartozékok és alkatrészek használatára
 - A karburátorok rendszeres beállítása, karbantartása, tisztítása
 - A természetes kopásnak és elhasználódásnak kitett alkatrészek és kiegészítők, például (de nem kizárólag) damildobok, ékszíjak, foglalatok, sövényvágók és fűnyírók kése, heveder, gázbombon, szénkefék, tápkábel, kultivátorfogak, ficalátétek, akasztószögek, fűvókészülekek ventilátora, fűvó- és szívócsovek, szívózsák és pántok, terelőrudak, fűrészlánccok, tömlők, csatlakozószerelvények, permetezőfejek, kerekék, permetezőzsárok, belső dobok, külső csévék, vágódamlok, gyújtógyertyák, légszűrők, gázsűrők, mulcsozókések stb.
4. A terméket javításra el kell vinni egy meghatalmazott RYOBI szervizbe; ezeket az egyes országokhoz a következők listában találja. Egyes országokban a helyi RYOBI kereskedő vállalja a termék elszállítását a RYOBI szervizbe. A terméket veszélyes tartalom, például benzin nélkül csomagolva, a feladó címét feltüntetve, a hiba rövid leírásával együtt küldje el a RYOBI szervizbe.
5. A jelen garancia hatálya alatt végzett javítás, illetve csere ingyenes. Nem jelenti a garanciális időtartam újraindulását. A kicserélt alkatrészek és szerszámok a mi tulajdonunkba kerülnek. Egyes országokban a szállítás vagy postázás költségét a feladó viseli. A bevőnek a szerszám megvásárlásából adódó törvényes jogai nem változnak.
6. Ez a garancia az Európai Közösségben, Svájcban, Izlandon, Norvégiában, Liechtensteinben, Törökországban, Oroszországban és az Egyesült Királyságban érvényes. E területen kívül kérdezze meg a RYOBI forgalmazót, hogy milyen garancia van érvényben.

HIVATALOS SZERVIZKÖZPONT

Ha bármilyen kérése vagy problémája van a termékkel kapcsolatban, forduljon a helyi hivatalos szervizközponthoz (látogasson el a www.ryobitools.eu oldalra), vagy közvetlenül ide: Technonic Industries GmbH, Max Eyth Straße 10, 71364 Winnenden, Germany. Adja meg a címkére nyomtatott sorozatszámot és terméktípust.

RO CONDIȚII DE APLICARE A GARANȚIEI PENTRU PRODUSELE RYOBI

În plus față de condițiile statutare rezultate din achiziționarea acestui produs, acesta este acoperit de garanția stipulată mai jos.

1. Perioada de garanție este de 24 de luni pentru consumatori și începe de la data achiziționării produsului. Data de începere a garanției trebuie demonstrată cu o factură sau altă dovadă a cumpărării produsului. Produsul este destinat și conceput doar pentru utilizare în scopuri personale. Din acest motiv, nu se oferă garanție pentru utilizarea sa în scop profesional sau comercial.
2. Există posibilitatea de extindere a perioadei de garanție pentru gama de unelte electrice pentru grădină (de CA/CC) peste perioada stipulată mai sus prin înscrierea produsului pe website-ul www.ryobitools.eu. Eligibilitatea pentru perioada de extindere a garanției este afișată în mod clar în magazinele de vânzare și/sau pe ambalaj sau este inclusă în documentația livrată împreună cu produsul. Utilizatorul final este obligat să-și înregistreze produsul online în termen de maxim 30 de zile de la achiziția acestuia. Utilizatorul final poate înregistra produsul pentru garanția extinsă oferită în țara sa de rezidență dacă aceasta este listată în formularul de înregistrare online și dacă această opțiune este validă. În plus, utilizatorul final trebuie să-și dea acordul pentru stocarea datelor personale solicitate la înregistrarea online și trebuie să accepte termenii și condițiile. Mesajul de confirmare a înregistrării, trimis prin e-mail și factura originală cu data achiziției vor dovedi perioada de garanție extinsă.
3. Garanția acoperă toate defecțiunile produsului survenite în perioada de garanție datorate defectelor de execuție sau materialelor folosite, începând cu data achiziției acestuia. Garanția este limitată la reparare și/sau înlocuire și nu include alte obligații, inclusiv, dar fără a se limita la daune accidentale sau rezultate pe cale de consecință. Garanția își pierde valabilitatea dacă produsul este utilizat necorespunzător, utilizat neconform cu instrucțiunile de utilizare din manualul cu instrucțiuni sau conectat incorect. Garanția nu se aplică în cazul:
 - oricărei defecțiuni survenite în urma întreținerii necorespunzătoare a produsului
 - oricărui produs alterat sau modificat
 - oricărui produs la care inscripțiile cu datele de identificare (marca comercială, numărul de serie) au fost șterse, modificate sau îndepărtate
 - oricărei defecțiuni datorate neconformării cu instrucțiunile din manualul de utilizare
 - oricărui produs necertificat CE
 - oricărui produs asupra căruia au fost efectuate tentative de reparare de către personal necalificat sau fără autorizație prealabilă din partea Technonic Industries.
 - oricărui produs conectat la o sursă de alimentare necorespunzătoare (curent, tensiune, frecvență)
 - oricărui produs utilizat cu un amestec de carburant necorespunzător (combustibil, ulei, proporții de adaos uleri)
 - oricărui defecțiuni datorate unor influențe externe (chimice, fizice, șocuri) sau substanțe străine
 - uzurii și fisurării normale a pieselor de rezervă
 - utilizării neadevurate, suprasolicitei unei unelte
 - utilizării de piese și accesorii neaprobate
 - Orice operații de curățare sau reglare periodică a carburatoarelor
4. Componentele (piese și accesorii) supuse uzurii și defecțiilor normale, care includ, fără a se limita la manșona de protecție, curele de transmisie, ambreiaj, lamele de la tăietoarele de arbore sau gazon, hamașamente, cablu de accelerație, perii de cărbune, cordon de alimentare, dinți, discuri de păslă, știfturi de siguranță, ventilatoare de suflantă, tuburi de aspirare sau suflare, sac de colectare resturi și banda de susținere a acestuia, bare de ghidare, lanțuri de fierăstrău, furtunuri, accesorii de conectare, duze de pulverizare, volante, baghete de pulverizare, moșoare interne, carcase exterioare pentru moșoare, fire tăietoare, bujii, filtre de aer, filtre de gaz, lame de tocător, etc.
5. Pentru efectuarea reparațiilor, produsul trebuie trimis sau adus la un centru de reparații autorizat RYOBI din lista următoare de centre de reparații prezentate pentru fiecare țară. În anumite țări, reprezentatul local RYOBI va trimite produsul spre reparare la sediul central de reparații RYOBI. Atunci când trimiteți produsul spre reparare la un centru de reparații RYOBI, acesta trebuie ambalat în siguranță, fără conținut periculos (cum ar fi benzină), marcat cu adresa expeditorului și însoțit de o scurtă descriere a defectului.
6. Repararea/înlocuirea în perioada de garanție este gratuită. Aceasta nu este însoțită de o prelungire sau o reințiere a perioadei de garanție. Piesele sau uneltele schimbate devin proprietatea dvs. În anumite țări, taxele de expediție sau poștale vor fi suportate de expeditor. Drepturile dvs. statutare rezultate din achiziția produsului rămân neschimbate
7. Această garanție este valabilă în Comunitatea Europeană, Elveția, Islanda, Norvegia, Liechtenstein, Turcia, Rusia și Marea Britanie. În afara acestor zone, vă rugăm să contactați reprezentantul dvs. local RYOBI pentru a determina dacă se aplică alt tip de garanție.

CENTRU DE SERVICE AUTORIZAT

Orice întrebare sau problemă în legătură cu produsul se poate adresa la centrele locale autorizate de service (vizitați www.ryobitools.eu) sau direct la: Technonic Industries GmbH, Max Eyth Straße 10, 71364 Winnenden, Germany. Vă rugăm să specificați numărul de serie și tipul de produs tipărite pe eticheta.



LV RYOBI GARANTIJAS PIEMĒROŠANAS NOSACĪJUMI

Papildus jebkādam likumiskajām tiesībām, kuras rodas, veicot pirkumu, izstrādājums tiek nodrošināts ar tālāk tekstā noteikto garantiju.

1. Garantijas periods patērētājam ir 24 mēneši, tā atskaite tiek sākta no datuma, kad veikta izstrādājuma iegāde. Šim datumam jābūt dokumentētām rēķinā vai citā pirkumu apliecinošā dokumentā. Izstrādājums ir radīts un paredzēts tikai patērētāja privātai lietošanai. Saisītība ar iepriekšminēto, garantija netiek nodrošināta profesionālas vai komerciālas lietošanas gadījumā.
2. Pastāv iespēja pagarināt daļas no dārza instrumentu klāsta (Mainstrāvas/akumulatoru) garantiju ilgāk par iepriekš minēto periodu, izmantojot reģistrāciju interneta vietnē www.ryobitools.eu. Instrumenti, kas pakļauti garantijas perioda pagarināšanai, tiek skaidri apzīmēti veikalos un/vai uz iepakojuma un izstrādājumu komplektējošajā dokumentācijā. Gala lietotājam nepieciešams reģistrēt tā iegādāto jauno instrumentu 30 dienu laikā no pirkuma datuma. Gala lietotājs var reģistrēties pagarinātājai garantijai savā mītnes valstī, ja tā minēta lietošanas reģistrācijas veidlapā, kurā šī iespēja ir aktīva. Bez tam, gala lietotājam ir jāsniedz piekrišana lietošanas ieviešanai nepieciešamo datu glabāšanai un jāpiekrīt noteikumiem un nosacījumiem. Reģistrācijas apstiprinājums, kas tiek nosūtīts, izmantojot e-pastu, un rēķina oriģināls, kurā norādīts iegādes datums, kalpo kā pagarinātās garantijas apstiprinājums.
3. Garantija attiecas uz visiem izstrādājuma defektiem garantijas periodā, kas saistīti ar ražošanas vai materiālu defektiem no pirkuma datuma. Šī garantija tiek ierobežota ar remontu un/vai nomainītu un neietver jebkādas citas saistības, tajā skaitā, bet ne tikai, cēloņsakarīgos vai saistītos bojājumus. Garantija nav spēkā, ja izstrādājums ir nepareizi lietots, izmantots pretēji norādē lietošanas rokasgrāmātā vai bijis nepareizi pieslēgts. Šī garantija netiek attiecināta uz:
 - jebkādām izstrādājuma bojājumiem, kas radušies nepareizas uzturēšanas rezultātā
 - jebkuru izstrādājumu, kas ticis pārveidots vai mainīts
 - jebkuru izstrādājumu, kura oriģinālās identifikācijas (preču zīme, sērijas numurs) marķējums ir ticis nodzēsts, mainīts vai noņemts
 - jebkādiem bojājumiem, kuri radušies neievērojot norādes lietošanas rokasgrāmātā
 - jebkādam izstrādājumam bez CE sertifikācijas
 - jebkaram izstrādājumam, kura remontu mēģinājis veikt nekvalificēts personāls vai bez Technonic Industries iepriekšējas autorizācijas.
 - jebkaram izstrādājumam, kurš bijis pieslēgts neatbilstošu parametru (strāvas, sprieguma, frekvences) sprieguma avotam
 - jebkaram izstrādājumam, kurš bijis izmantots ar nepareizi degvielas maisījumu (degviela, eļļa, eļļas procentuālais saturs)
 - jebkuriem bojājumiem, kuri radušies ārējas iedarbības (ķīmiskas, fiziskas, triecieni) vai vielu ietekmē
 - detaļu normāla lietošanas nodiluma rezultātā
 - nepareizas lietošanas vai instrumentu pārslodzes rezultātā
 - neapstiprinātu detaļu vai aprīkojuma lietošanas rezultātā
 - jebkādos periodiskus karburatoru regulēšanas darbus vai apkopes tīrīšanu
 - Komponentus (daļas un aksesuārus), kas pakļauti dabīgām nodilumam, ieskaitot, bet neaprobežojoties ar atsitiena pogām, piedziņas siksnām, sajūgiem, krūmu šķēru un plaujmašīnu asmeņiem, uzakbēm, droseļu trosītēm, oglekļa sukām, elektrības vadiem, tapām, fīca aplākšņiem, sakabes tapām, pūtēja ventilatoriem, pūtēja un sūkšanas caurulēm, savākšanas maisiem un siksnām, vadotņu plankām, zaģu ķēdēm, šļūtenēm, savienojumu uzgaļiem, izsmidzinātāja uzgaļiem, riteniem, izsmidzinātāja caurulēm, iekšējām spoļēm, ārējām spoļēm, plaušanas auklām, aizdedzes svečēm, gaisa filtriem, degvielas filtriem, mulčēšanas asmeņiem, utt.
4. Servisa nodrošināšanai, izstrādājums ir jānodod pilnvarotā RYOBI servisa centrā, kas norādīts katrai valstij tālāk minētajā servisa centru adresē sarakstā. Dažās valstīs Jūsu vietējais RYOBI izplatītājs uzņemas izstrādājuma nosūtīšanu uz RYOBI servisa organizāciju. Nosūtot izstrādājumu uz RYOBI servisa centru, izstrādājuma jābūt droši iepakotam, tas nedrīkst saturēt bīstamas vielas kā degvielu, sūtiļjūm jābūt marķētam ar sūtiļja adresi un īsu ķīmes aprakstu.
5. Remonts/nomainīšana šīs garantijas ietvaros ir bezmaksas. Tas nerada garantijas perioda pagarināšanu vai jaunu garantiju. Nomainītās daļas vai instrumentu kļūst par mūsu īpašumu. Dažās valstīs piegādes vai pasta izmaksas būs jāapmaksā sūtiļtājam. Jūsu likumiskās tiesības, kas nodibinās, iegādājoties instrumentu, paliek nemainīgas.
6. Šī garantija ir spēkā Ēvropas Kopienā, Šveicē, Islandē, Norvēģijā, Lichtenšteinā, Turcijā, Krievijā un Apvienotajā Karalistē. Ārpus šīm teritorijām, ūdzu, saņemtiem ar Jūsu pilnvaroto RYOBI izplatītāju, lai noteiktu, vai ir piemērojama cita garantija.

AUTORIZĒTIS APKALPOŠANAS CENTRS

Ar jebkuru pieprasījumu vai problēmu, kas saistīta ar produktu, var vērsties Jūsu vietējā pilnvarotā servisa centrā (apmeklējiet www.ryobitools.eu) vai tieši pie: Technonic Industries GmbH, Max Eyth StraÙe 10, 171364 Winnenden, Germany, ūdzu, norādiēt sērijas numuru un produkta tipu, kas norādiēt uz etiķetes.

LT „RYOBI“ GARANTIJOS TAIKYMO SĄLYGOS

Papildant bet kokias įstatymuose numatytas perkant atsirandancias teises, šiame įrenginiui taikoma toliau nurodyta garantija.

1. Vartotojams suteikiama 24 mėnesių trukmės garantija nuo įrenginio įsigijimo datos. Ši data turi būti nurodyta sąskaitoje faktūroje ar kitame pirkimą įrodančiame dokumente. Šis įrenginys skirtas tik vartotojų rinkai ir asmeniniam naudojimui. Todėl garantija netaikoma, jei įrenginys naudojamas profesinėms ar komercinėms reikmėms.
2. Įsigijus tam tikrus sodo įrenginius (AC/DC), suteikiama galimybė pratęsti garantiją, kad ji galiojot ilgiau, nei nurodyta pirmiau, naudojantis registracija interneto svetainėje www.ryobitools.eu. Ar galima pratęsti įrenginio garantiją laikotarpi, aiškiai nurodoma parduotuvėse ir (arba) ant įrenginio pakuotės, ir (arba) įrenginio dokumentuose. Galutinis naudotojas turi užregistruoti savo naujai įsigytą įrenginį per 30 dienų nuo įsigijimo datos. Galutinis naudotojas gali registruotis išplėstinei garantijai savo gyvenamojoje šalyje, jei ji nurodyta internetinėje registracijos formoje, kurioje siūloma tokia galimybė. Be to, galutiniai naudotojai turi sutikti su duomenų, kuriuos reikia įvesti internetu, saugojimu ir svetainės naudojimo sąlygomis. Kaip išplėstinės garantijos įrodymą naudojamas registracijos patvirtinimo kvitas, atsiunčiamas el. paštu, ir originali sąskaita faktūra, kurioje nurodyta įsigijimo data.
3. Ši garantija apima visus garantiniu laikotarpiu aptiktus įrenginio trūkumus, atsiradusius dėl gamybos arba medžiaginių defektų nuo įsigijimo datos. Ši garantija ribojama remonto ir (arba) pakeitimu, jei neapima jokių kitų įsipareigojimų, įskaitant (bet tuo neapsiribojant) šaltinius arba antrinius nuostolius. Garantija anuliuojama, jei įrenginys buvo naudojamas netinkamai, naudojamas ne pagal naudojimo instrukciją arba netinkamai prijungtas. Ši garantija netaikoma:
 - jokiai įrenginiui padarytai žalai, kurią lėmė netinkama techninė priežiūra;
 - jokiai įrenginiui, kuris buvo keičiamas ar modifikuojamas;
 - jokiai įrenginiui, kurio originalūs identifikavimo ženklai (prekės ženklas, serijos numeris) buvo sugadinti, pakeisti arba pašalinti;
 - jokiai žalai, kurią lėmė naudojimo instrukcijos nesilaikymas;
 - jokiems CE Ženklu nepažymėtiems įrenginiams;
 - jokiai įrenginiui, kurį bandė remontuoti nekvalifikuoti asmenys arba kuris buvo remontuojamas be „Technonic Industries“ leidimo;
 - jokiai įrenginiui, kuris buvo prijungtas prie netinkamo maitinimo tinklo (netinkamos srovės, įtampos, dažnio);
 - jokiai įrenginiui, kuris buvo naudojamas su netinkamu degalų mišiniu (degalai, alyva, maitinamoji santykis);
 - jokiai žalai, kurią lėmė išorinis poveikis (cheminis, fizinis, smūgiai) arba pašalinės medžiagos;
 - dėvimosioms dalims;
 - netinkamam naudojimui, įrenginio perkrovai;
 - nepatvirtintų priedų arba dalių naudojimui;
 - Jokiai reguliariam karburatorių reguliavimui arba priežiūros ir valymo darbams
- Komponentams (dalims ir priedams), kurie natūraliai dėviasi, įskaitant (bet tuo neapsiribojant) spyruoklines galvutes, pavarų diržus, sankabą, gyvatvorinį genėtuvą ar žoliapjovių geležtes, diržus, trosinį droselį, anglinius šepetėlius, maitinimo kabelį, virbus, fetro poveržles, prikabinimo kaiščius, pūstuvo ventilatorius, pūstuvo ir siurblio vamzdžius, siurblio maišą ir diržus, kreipiamuosius strypus, pjūklo grandines, žarneles, jungiamąsias detales, purškimo antgalius, ratus, purškimo liestukus, vidines rėtes, išorines rėtes, pjovimo vielą, uždegimo žvakes, oro filtrus, dujų filtrus, mulčiavimo geležtes ir pan.
4. Prieikus atlikti priežiūros darbus, įrenginį reikia siųsti arba atvežti RYOBI įgaliojotam priežiūros centrui, nurodytam kiekvienos šalies priežiūros centrų adresų sąraše. Kai kuriose šalyse vietinis RYOBI atstovas siunčia įrenginį RYOBI priežiūros organizacijai. Siunčiant įrenginį RYOBI priežiūros centrui, reikėtų saugiai jį supakuoti pašalinant visas pavojingas medžiagas, pvz., benzina, nurodant ant pakuotės siuntėjo adresą ir pridėti trumpą gedimo aprašymą.
5. Pagal šią garantiją remontas / keitimas atliekamas nemokamai. Tokie veiksmai netaikomi garantijos pratęsimui arba naujo garantinio laikotarpio pradžia. Dalyk arba įrenginiai, kuriuos pakeičiame, tampa mūsų nuosavybe. Kai kuriose šalyse pristatymo ir pašto išlaidas turi padengti siuntėjas. Įstatymuose numatytos jūsų teisės, atsirandancias perkant įrenginį, lieka nepakeistos.
6. Ši garantija galioja Europos Bendrijos šalyse, Šveicarijoje, Islandijoje, Norvegijoje, Lichtenšteinėje, Turkiijoje, Rusijoje ir Jungtinėje Karalystėje. Jei gyvenate ne šiose šalyse, kreipkitės į įgaliojotą RYOBI atstovą ir sužinokite, ar jums taikoma kita garantija.

ĮGALIOJOTAS TECHINIS PRIEŽIŪROS CENTRAS

Jei turite kokių nors pageidavimų ar problemų, susijusių su šiuo gaminiu, galite kreiptis į artimiausią įgaliojotą techninės priežiūros centrą apsilankydami www.ryobitools.eu arba tiesiogiai: Technonic Industries GmbH, Max Eyth StraÙe 10, 171364 Winnenden, Germany. Nurodykite etiketėje išspausdintą serijos numerį ir gaminio tipą.

ET RYOBI GARANTIIINGIMUSED

Lisaks toote ostust tulenevatele seadusjärgsetele õigustele, kehtib tootele ka alloodud garantiaga.

1. Tarbijatele on garantiiaeg 24 kuud ja algab sellel kuupäeval, mil toode osteti. Selle kuupäeva tõestuseks on vaja arvet või mõnda teist tõendit ostu sooritamise kohta. Toode on mõeldud eratarbijate ainult isiklikuks kasutamiseks. Seega ei kehti garantii ostu kasutamisel kusetegevuses või kaubanduslikel eesmärkidel.
2. Teatud osale (vahelduvvoolu/alalisvoolu) aiatööriistadele on võimalik pikendada eespool toodud garantiiaega, kasutades toote registreerimist veebilehel www.ryobitools.eu. Teave tööriista võimaliku pikendatud garantiiaja kohta on selgelt esile toodud poodides ja/või pakendil / ning see sisaldub toote dokumentatsioonis. Lõpptarbijaja peab registreerima oma uued tööriistad interneti teel 30 päeva jooksul pärast ostupaeva. Lõppkasutaja võib registreerida pikendatud garantiiaja saamise oma elukohariigis, kui veebis olevas registreerimismvormis on see valik lubatav. Lisaks peavad kasutajad andma oma nõusoleku veebis nõutud sisestatavate andmete säilitamiseks ning nad peavad nõustuma tingimustega. E-posti teel saadetak registreerimise kinnitus ja arve originaal, kus on näha ostu sooritamise kuupäev, on pikendatud garantiiaja tõestuseks.
3. Garantii katab kõik defektid toote garantiiaja jooksul, kui ostu kuupäeval ilmnevat talitlus- või materjalivead. Garantii piirub toote remondi ja/või väljavahetamisega ning ei sisalda muid kohustusi, muu hulgas ettenägematud või kaudseid kahjusid. Garantii ei kehti, kui toodet ei ole kasutatud sihtotstarbelselt või kooskõlas kasutusjuhendiga või see on valesti ühendatud. Garantii ei kehti järgmistel põhjustel:
 - toode on kahjustatud vale hoolduse tõttu
 - toodet on muudetud
 - toote algupärased identifitseerimismärgised (kaubamärk, seerianumber) on rikutud, muudetud või eemaldatud
 - kahju on tekkinud kasutusjuhendi mittejärgimisest
 - tootel puudub CE-märk
 - toodet on pöödnud remondita vastavat kvalifikatsiooni mitte omav isik või ilma firma Technronic Industries eelneva loata.
 - toode on ühendatud valesse toiteallikasse (voolutugevus, pinge, sagedus)
 - tootega kasutatud sobimatut kütusesegu (kütus, õli, õli protsent)
 - välismõjude (keemilised, füüsilised, elektrilöögid) või võrkehade tekitatud kahju
 - tavapärase kulumine ja katkised varuosad
 - ebaõige kasutamine, tööriista ülekoormamine
 - heakskiitmata tarvikute või osade kasutamine
 - Karburaatorite korralised reguleerimistööd või hooldus- ja puhastustööd
4. Hooldeks peab toode saatma või viima RYOBI volitatud teenindusse, mille aadressi leiate järgnevast teeninduspunkti nimekirjast vastava riigi alt. Mõnedes riikides võib kohalik RYOBI edasimüüja enda kanda kohustuse saata toode RYOBI teenindusorganisatsiooni. Toote saatmisel RYOBI teenindusse peab toode olema ohutult pakitud ja ei tohi sisaldada ohtlikke aineid (nt bensiini), kirjas peab olema saatja aadress ja lisatud vea lühikirjeldus.
5. Garantii alusel tehtavad remonditööd / asendamine on tasuta. See ei pikenda garantiit kehtivusaega ega tähistu uue garantiiaja algust. Väljavahetatud osad või tööriistad kuuluvad meile. Mõnedes riikides maksab kätetoimetamis- ja postikulud saatja. Teile jäävad kehtima tööriista ostust tulenevad seadusjärgsed õigused
6. See garantii kehtib Euroopa Liidus, Šveitsis, Islandil, Norras, Liechtensteinis, Türgis, Venemaal ja Ühendkuningriigis. Väljaspool neid piirkondi võtke ühendust volitatud RYOBI edasimüüjaga, et teha kindlaks kas kehtib mõni teine garantii.

VOLITATUD HOOLDUSKESKUS

Tootega seotud päringute või probleemide korral pöörduge kohaliku volitatud hooldekeskuse poole (vt www.ryobitools.eu) või otse aadressile: Technronic Industries GmbH, Max Eyth Straße 10, 71364 Winnenden, Germany. Märkige ära sildil olev seerianumber ja toote tüüp.

HR UVJETI PRIMJENE JAMSTVA TVRTKE RYOBI

Osim svim zakonskim pravima koja proizlaze iz kupnje, ovaj je proizvod pokriven jamstvom kako je navedeno u nastavku.

1. Jamstveno razdoblje za potrošače traje 24 mjeseca i počinje s datumom na koji je proizvod kupljen. Taj datum mora se dokumentirati računom ili drugim dokazom o kupnji. Proizvod je konstruiran i namijenjen samo za privatnu upotrebu korisnika. Stoga se jamstvo ne daje u slučaju profesionalne ili komercijalne uporabe.
2. Postoji mogućnost da se za dio asortimana vrtnih alata pokrene izmjeničnom strujom (AC/DC) produži gore navedeno jamstveno razdoblje putem registriranja na mrežnom mjestu www.ryobitools.eu. Uvjeti koje je potrebno zadovoljiti kako bi se produžilo jamstveno razdoblje jasno su istaknuti u prodavaonicama i / ili na pakiranju / i nalaze se unutar dokumentacije proizvoda. Krajnji korisnik mora registrirati svoje novo kupljene alate na mreži u roku od 30 dana od datuma kupnje. Krajnji korisnik može se registrirati za produženo jamstvo u svojoj zemlji boravišta ako se nalazi na popisu u mrežnom obrascu za registraciju gdje je ta opcija važeća. Nadalje, krajnji korisnici moraju dati svoj pristanak na pohranu podataka koji su potrebni za mrežni ulazak i moraju prihvatiti odredbe i uvjete. Potvrda o prijemu registracije, koja se šalje putem e-pošte, kao i originalni račun s vidljivim datumom kupnje poslužiti će kao dokaz produženog jamstva.
3. Jamstvo pokriva sve nedostatke proizvoda tijekom jamstvenog razdoblja koji su nastali zbog neispravnosti prilikom izrade ili materijala s datumom kupnje. Jamstvo je ograničeno na popravak i/ili zamjenu i ne obuhvaća nikakve druge obveze, uključujući, ali ne ograničavajući se na slučajne ili posljedične štete. Jamstvo ne vrijedi ako je proizvod bio zlorabljivan, korišten u suprotnosti s priručnikom s uputama ili ako je izgledno spojeno. Ovo jamstvo ne primjenjuje se na:
 - svako oštećenje proizvoda koje je rezultat nepravilnog održavanja
 - svaki proizvod koji je izmijenjen ili modificiran
 - svaki proizvod gdje su originalne identifikacijske oznake (zaštitni znak, serijski broj) izbrisane, zamijenjene ili uklonjene
 - svako oštećenje uzrokovano nepravilnim državanjem korisničkog priručnika
 - svaki proizvod koji nije CE
 - svaki proizvod koji je pokušao popraviti nekvalificirani profesionalac ili bez prethodnog odobrenja od strane Technronic Industries
 - svaki proizvod priključen na nepravilno napajanje energijom (amperi, napon, frekvencija)
 - Svaki proizvod korišten s neodgovarajućom mješavinom (gorivo, ulje, postotak ulja)
 - svako oštećenje uzrokovano vanjskim utjecajima (kemijsko, fiziko, udar) ili stranim stvarima
 - normalno trošenje i habanje rezervnih dijelova
 - nepravilno korištenje, preopterećenje alata
 - korištenje neodobrene dodatnog pribora ili dijelova
 - rasplinjača nakon 6 mjeseci, podešavanje rasplinjača nakon 6 mjeseci
 - komponente (dijelovi i dodatni pribor) koji su predmet prirodnog trošenja i habanja, uključujući no ne ograničavajući se na gume za otuštanje, pogonske remene, spojku, oštrice trimera za grmlje ili kosilicu, kope, salje gasa, ugljene četke, kabele za napajanje, noževe, podloške, ztike za zglobnu vezu, ventilatore puhalice, cijevi za ispuhivanje i usisavanje, vakuumske vrećice i trake, vodilice, lance pile, crijeva, priključene elemente, mlaznice za raspršivanje, kotače, koplja za raspršivanje, unutarnje kolute, vanjske kalame, flaksove, svjećice, filtre za zrak, filtre za plin, oštrice za usitnjavanje itd.
4. Za potrebe servisiranja, proizvod se mora poslati ili odnijeti u ovlaštenu servisnu postaju tvrtke RYOBI navedenu na sljedećem popisu s adresama servisnih postaja u svakoj zemlji. U nekim zemljama, vaš lokalni RYOBI zastupnik obvezuje se da će poslati proizvod u servisnu organizaciju tvrtke RYOBI. Kada se proizvod šalje u neku servisnu postaju tvrtke RYOBI, proizvod se mora sigurno pakirati bez ijednog od opasnih sadržaja kao što je benzin, na njemu mora pisati adresa pošiljatelja i mora biti popraćen kratkim opisom kvara.
5. Popravak / zamjena pod ovim jamstvom su besplatni. Oni ne predstavljaju produženje ili novi početak jamstvenog razdoblja. Zamijenjeni dijelovi ili alati postaju naše vlasništvo. U nekim državama troškove isporuke ili poštarinu mora platiti pošiljatelj. Vaša zakonska prava koja proizlaze iz kupnje alata ostaju nepromijenjena
6. Ovo jamstvo je valjano u zemljama Europske zajednice, Švicarskoj, Islandu, Norveškoj, Lihtenštajnu, Turskoj, Rusiji i Ujedinjenoj Kraljevini. Izvan tih područja vas molimo da se obratite svojem ovlaštenom zastupniku tvrtke RYOBI kako biste utvrdili primjenjuje li se drugo jamstvo.

OVLAŠTENI SERVISNI CENTAR

Za svaki zahtjev ili problem s proizvodom možete se obratiti vašim ovlaštenim servisnim centrima (posjetite adresu www.ryobitools.eu) ili izravno na: Technronic Industries GmbH, Max Eyth Straße 10, 71364 Winnenden, Germany. Navedite serijski broj i vrstu proizvoda ovisno na naljepnici.

SL POGOJI ZA VELJAVNOST GARANCIJE RYOBI

Poleg morebitnih zakonsko določenih pravic, ki izvirajo iz nakupa, za ta izdelek velja spodaj navedena garancija.

- Garancijsko obdobje je za potrošnike 24 mesecev in začne teči z dnem nakupa izdelka. Ta datum mora biti dokumentiran z računom ali drugim dokazilom o nakupu. Izdelek je zasnovan in namenjen izključno za potrošniško zasebno uporabo. V primeru strokovne oziroma komercialne uporabe izdelka garancija ne velja.
- Obstaja možnost podaljšanja garancije na del naših ponudbe vrtnih orodij (AC/DC) prek obdobja garancije, opisanega zgoraj, s pomočjo registracije na spletnem mestu www.ryobitools.eu. Ustreznost orodij za podaljšanje garancijskega obdobja je jasno prikazana v trgovinah in/ali na embalaži oziroma je navedena v dokumentaciji izdelka. Končni uporabnik mora registrirati svoje novo orodje na spletu v 30 dneh po datumu nakupa. Končni uporabnik lahko registrira podaljšano garancijo v svoji državi bivanja, če je na obrazcu spletne registracije navedeno, da ta možnost velja za njegovo državo. Poleg tega morajo končni uporabniki podati svoje soglasje za shranjevanje podatkov, ki so potrebni za spletni dostop in morajo sprejeti pogoje in določila uporabe spletnega mesta. Potrdilo o registraciji, ki ga pošljemo prek e-pošte, in originalni račun, ki prikazuje datum nakupa, služita kot dokazilo o podaljšani garanciji.
- Garancija krije vse okvare izdelka, do katerih pride v garancijskem obdobju zaradi napak v izdelavi ali materialu, ki so bile prisotne ob datumu nakupa. Garancija je omejena na popravilo in/ali zamenjavo in ne vključuje nobenih drugih obveznosti, med drugim vključno z naključno ali posledično škodo. Garancija ne velja, če je bil izdelek napačno uporabljen, uporabljen v nasprotju z navodili iz priložnice za uporabo ali če ni bil pravilno povezan. Ta garancija ne velja za:
 - škodo na izdelku, ki je posledica neustreznega vzdrževanja
 - spremenjen ali prilagojen izdelek
 - izdelek, katerega originalna identifikacijska oznaka (blagovna znamka, serijska številka) je bil poškodovan, spremenjen ali odstranjen
 - škodo, ki je posledica neupoštevanja navodil iz priložnice za uporabo
 - izdelek, ki nima oznake CE
 - izdelek, ki ga je poskušal opraviti nekvalificiran strokovnjak ali ki je bil popravjen brez predhodne odobritve s strani družbe Technonic Industries.
 - izdelek, ki je bil povezan na neustrezno napajanje (amperska moč, napetost, frekvenca)
 - izdelek, ki je bil uporabljen z neustrezno mešanico goriva (gorivo, olje, odstotek olja)
 - škodo, ki jo povzročijo zunanji vplivi (kemični, fizični, mehanski) ali tuje snovi
 - rezervne dele, ki so podvrženi običajni uporabi
 - neprimerno uporabo, preobremenitev orodja
 - uporabo neodobrenih dodatkov ali delov
 - Vsako redno prilagajanje ali vzdrževalno čiščenje uplinjačev
 - Komponente (sestavni in rezervni deli), ki so podvrženi običajni obrabi, med drugim vključno z gumbi odbijaka, pogonskimi jermeni, sklopko, rezili obrezovalnikov za žive meje ali kosilnic za trato, nosilnimi pasovi, kablji, dušilnimi ventili, oglikovimi krtačami, napajalnimi kablji, zobci, tesnilni iz filca, vezilni zatčiči, ventilatorji pihalnika, cevni pihalnika in sesalnika, vrečko in pasovi sesalnika, vodilnimi palicami, verigami motorne žage, cevmi, priključki, razpršilnimi šobami, kolesi, razpršilnimi palicami, notranjimi kolesci, zunanji motki, rezalnimi vrvicami, vžigalnimi svečkami, zračnimi filtri, plinskimi filtri, rezili za mulčenje itd.
- Za servisiranje morate izdelek poslati ali prinesiti v pooblaščen servisni center družbe RYOBI, ki je naveden za vsako državo na naslednjem seznamu naslovov servisnih centrov. V nekaterih državah se vaš lokalni posrednik družbe RYOBI obveže, da bo poslal izdelek na servis družbe RYOBI. Ko pošiljate izdelek v servisni center družbe RYOBI, mora biti izdelek varno zapakiran in ne sme vsebovati nobenih nevarnih snovi, kot je npr. bencin, opremljen pa mora biti z naslovom pošiljatelja in vsebovati kratek opis napake.
- Popravilo/zamenjava v skladu s to garancijo sta brezplačni storitvi. To pa ne predstavlja podaljšanja ali ponovnega začetka garancijskega obdobja. Zamenjani deli ali orodja postanejo naša last. V nekaterih državah stroške dostave ali poštno plača pošiljatelj. Vaše zakonsko določene pravice, ki izvirajo iz nakupa orodja, ostajajo nespremenjene.
- Ta garancija velja v Evropski skupnosti, Švici, na Islandiji, Norveškem, v Lichtenštajnu, Turčiji, Rusiji in Združenem kraljestvu. Izven teh območij se obrnite na svojega pooblaščenega posrednika izdelkov RYOBI, dealer ki vam bo povedal, ali velja kakšna druga garancija.

POOBLAŠČEN SERVISNI CENTER

V primeru zahtev ali težav v zvezi z izdelkom se lahko obrnete na lokalne pooblaščené servise centre (obiščite www.ryobitools.eu) ali neposredno na: Technonic Industries GmbH, Max Eyth Straße 10, 71364 Winnenden, Germany. Prosimo, da navedete serijsko številko in tip izdelka, ki sta natisnjena na oznaki.

SK ZÁRUČNÉ PODMIENKY RYOBI

Na tento výrobok sa okrem všetkých zákonných práv, vyplývajúcich z nákupu, vzťahuje záruka v nasledovnom znení.

- Záručná doba pre spotrebiteľa je 24 mesiacov a začína plynúť odo dňa, kedy bol výrobok zakúpený. Tento dátum musí byť doložený faktúrou alebo iným dokladom o zakúpení. Výrobok je navrhnutý a určený pre spotrebiteľov a len na súkromné používanie. Preto sa záruka sa neposkytuje v prípade použitia na profesionálne a komerčné účely.
- V prípade záhradného náradia (na striedavý/jednosmerný prúd AC/DC), existuje možnosť predĺženia záručnej doby oproti záručnej dobe, uvedenej vyššie, s využitím on-line registrácie na webovej stránke www.ryobitools.eu. Označenie na náradí o nároku na predĺženie záručnej doby je zreteľne uvedené v obchodoch a/alebo na obale a je uvedené v dokumentácii k výrobku. Koncový používateľ musí zaregistrovať svoje novozískané náradie on-line do 30 dní odo dňa nákupu. Koncový používateľ sa môže zaregistrovať na predĺženie záruky v krajine svojej bydliska, ak je v on-line registračnom formulári uvedená táto možnosť. Ďalej musia koncoví používatelia ešte dať svoj súhlas k uchovávaní údajov, ktoré je potrebné zadať on-line a musia súhlasiť s podmienkami. Potvrdenie o prijatí registrácie, ktorú je zasielateľ e-mailom a original faktúry, v ktorej je uvedený dátum nákupu, slúžia ako dôkaz o predĺženej záruke.
- Záruka sa vzťahuje na všetky poruchy výrobku v záručnej dobe, spôsobené chybami materiálů alebo spracovaním k dátumu nákupu. Táto záruka je omezená na opravu a/alebo výmenu a nezahŕňažiadne ďalšie povinnosti, vrátane, okrem iných, náhodné alebo následné škody. Táto záruka je neplátná, ak bol výrobok nesprávne používaný, bol používaný v rozpore s návodom na použítie alebo bol nesprávne zapojený. Táto záruka sa nevzťahuje na:
 - akékoľvek poškodenie výrobku, ktoré bolo spôsobené nesprávnou obsluhou
 - akýkoľvek výrobok, ktorý bol zmenený alebo upravený
 - akýkoľvek výrobok, na ktorom bolo poškodené, upravené alebo odstránené identifikačné označenie (ochranná známka, výrobné číslo)
 - akékoľvek škody, spôsobené nedodržaním návodu na obsluhu
 - akýkoľvek výrobok, ktorý neobsahuje označenie CE
 - akýkoľvek výrobok, ktorý sa pokúšal opravovať nekvalifikovaný odborník alebo bol opravovaný bez predchádzajúceho súhlasu so stranou spoločnosti Technonic Industries.
 - akýkoľvek výrobok, pripojený k nesprávnemu napájacíemu zdroju (ampéry, napätie, frekvencia)
 - akýkoľvek výrobok, používaný s nesprávnou palivovou zmesou (palivo, olej, percento oleja)
 - akékoľvek poškodenia, spôsobené vonkajšími vplyvmi (chemickými, fyzikálnymi, nárazmi) alebo cudzorodými látkami
 - bežné opotrebovanie náhradných dielov
 - nevhodné používanie, preťažovanie nástroja
 - používanie neschváleného príslušenstva a dielov
 - Akékoľvek pravidelné úpravy alebo čistenie karburátorov, vykonávaných vrámi údržby
 - Súčiastky (diely a príslušenstvo), ktoré podliehajú prirodzenému opotrebeniu, okrem iných, otočné gombíky, hnacie remene, spojka, nože na nožnice na živý plot alebo kosačky na trávu, popruhy, lanko škrítacej klapky, uhličky, napájací kábel, radličky, plsténé podložky, závesné klnice, lopatky fúkačov, trubice vysávača a fúkača, vak do vysávača a popruhy, vodiace lišty, retazové pily, hadice, spojovacie armatúry, trysky, kolesá, striekacie rúrky, vnútorné cievy, vonkajšie cievy, žacie lanká, zapalovacie sviečky, vzduchové filtre, benzínové filtre, mulčovacie nože atď.
- Na opravu musí byť výrobok odoslaný alebo doručený do autorizovaného servisného strediska RYOBI, udešeného pre každú krajinu v nasledovnom zozname adries servisných stredísk. V niektorých krajinách miestny zástupca RYOBI preberá na seba záväzok zoslať tovar do servisnej organizácie RYOBI. Pri odoslaní výrobku do servisného strediska RYOBI je potrebné výrobok bezpečne zabaliť bez akéhokoľvek nebezpečného obsahu, ako je benzín, s vyznačením adresy odosielateľa, s krátkym popisom poruchy.
- Oprava/výmena je vrámi tejto záruky bezplatná. Nezmenená to predĺženie záruky alebo spustenie novej záručnej doby. Vymenené diely alebo nástroje sa stávajú našim vlastníctvom. V niektorých krajinách náklady na odoslanie alebo poštovné musí zaplatiť odosielateľ. Vaše zákonné práva, vyplývajúce z nákupu náradia, zostávajú nedotknuté.
- Táto záruka je plátná v Európskych spoločenstvách, Švajčiarsku, Islande, Nórsku, Lichtenštajnsku, Turecku, Rusku a Spojenom kráľovstve. Ak sa nachádzate mimo týchto oblastí, obráťte sa na autorizovaného predajcu RYOBI na určenie, či sa dá uplatniť iná záruka.

AUTORIZOVANÉ SERVISNÉ CENTRUM

Všetky žiadosti alebo problémy s výrobkom možno adresovať miestnym autorizovaným servisným strediskám (navštívte www.ryobitools.eu) alebo priamo na: Technonic Industries GmbH, Max Eyth Straße 10, 71364 Winnenden, Germany. Uvedte serióvé číslo a typ výrobku uvedené na etike.



BG УСЛОВИЯ ЗА ВАЛИДНОСТ НА ГАРАНЦИЯТА НА RYOBI

В допълнение към законоустановените права, произтичащи от покупката, този продукт е обхванат от гаранция, както е изложено по-долу.

- Гаранционният срок е 24 месеца за клиенти и започва да тече от деня на закупуване на продукта. Тази дата трябва да се докаже с фактура или друго доказателство за покупка. Продуктът е изработен и предназначен само за потребителска и лична употреба. Следователно не се дава гаранция в случай на използване от професионалисти или с търговска цел.
- Съществува възможност за удължаване на гаранционния срок за част от диапазона на гаранцията на градински инструменти (AC/DC) след изтичането на описания тук чрез регистрацията на уеб сайта www.ryobitools.eu. В магазините или на опаковката или вътре в документацията на продукта е показано ясно дали инструментът отговаря на условията за такова удължаване на гаранционния срок. Крайният потребител трябва да регистрира своите новопридобити инструменти онлайн в рамките на 30 дни от датата на покупка. Крайният потребител може да се регистрира за удължена гаранция в държавата си на пребиваване, ако е посочена във формуляра за онлайн регистрация като място, където тази опция е валидна. Освен това крайните потребители трябва да дадат съгласието си за съхранение на данните, които са задължителни за ползване онлайн, и трябва да приемат общите условия. Получено потвърждение за регистрацията, изпратено по електронна поща, и оригиналната фактура, показваща датата на покупка, ще служат като доказателство за удължената гаранция.
- Гаранцията покрива всички дефекти на продукта по време на гаранционния срок, които се дължат на проблеми в изработката или материалите към момента на покупката. Гаранцията е ограничена до ремонт или замяна и не включва други задължения, включително, но не само, случайни или косвени щети. Гаранцията е невалидна, ако продуктът е използван неправилно или в противоречие с ръководството с инструкции, както и ако е свързан неправилно. Тази гаранция не важи за:
 - щети по продукта в резултат на неправилна профилактика
 - продукти, които са били изменени или модифицирани
 - продукт, при който оригиналните маркировки за идентификация (търговска марка, сериен номер) са изтрити, променени или премахнати
 - повреда, причинена от неспазване на ръководството с инструкции
 - продукт без CE маркировка
 - продукт, за който е направен опит за ремонт от неквалифициран специалист или без предварително разрешение от Techntronics Industries.
 - продукт, свързан към неподходящо електрозахранване (ампераж, волтаж, честота)
 - продукт, използван с неподходяща горивна смес (гориво, масло, процент масло)
 - щети, причинени от външни влияния (химични, физични, удари) или чужди вещества
 - нормално износване на резервни части
 - неподходяща употреба, претоварване на инструмента
 - използване на неподходящи аксесоари или части
 - Всякакви периодични настройки или почистване с цел извършване на поддръжка на карбуратори
 - Компоненти (част и аксесоари), подложени на естествено износване, включително, но не само, колчета за тласкане, задвижващи ремъци, съединители, остриета на ножици за жив плет или косачки за трева, презариями, кабелни дротел, карбонови четки, захранващ кабел, остриета, филцови шайби, осигурителни щифтове, вентилатори на уреди за обдухване, тръби за обдухване и всмукване, торба за отпадъци и ремъци, водещи шини, вериги за триони, маркучи, фитинги на конектори, дюзи, колепа, пръскалки, вътрешни и външни макари, режещо влакно, запалителни свещи, въздушни филтри, горивни филтри, остриета за мулчиране и др.
- За обслужване продуктът трябва да се изпрати или занесе на оторизиран сервиз на RYOBI, посочен за всяка държава в следния списък с адреси на сервиси. В някои държави местният търговец на RYOBI поема отговорността да изпрати продукта до сервизен център на RYOBI. При изпращане на продукт до сервиз на RYOBI той трябва да е опакован безопасно без опасно съдържание, напр. бензин, да е маркиран с адреса на подателя и придружен от кратко описание на повредата.
- Ремонтът/замяната по силата на тази гаранция са безплатни. Те не водят до удължаване или подновяване на гаранционния срок. Сменените части или инструменти стават наша собственост. В някои държави таксите за доставка или изпращане трябва да се платят от подателя. Законоустановените ви права, произтичащи от закупуването на инструмента, остават незаеснати
- Тази гаранция е валидна в Европейската общност, Швейцария, Испания, Норвегия, Лихтенщайн, Турция и Обединеното кралство. Извън тези области се свържете с упълномощения търговец на RYOBI, за да се установи дали е приложима друга гаранция.

УПЪЛНОМОЩЕН СЕРВИЗЕН ЦЕНТЪР

Всички заявки или проблеми, свързани с продукта, могат да бъдат отправяни към местните упълномощени сервизни центрове (посетете www.ryobitools.eu) или директно до: Techntronics Industries GmbH, Max Eyth Straße 10, 71364 Winnenden, Germany. Посочете сериен номер и типа на продукта, отпечатани върху етикета.

UK ГАРАНТИЙНИ УМОВИ ДЛЯ RYOBI

Окрім загалом установлених законом прав, що стосуються покупки, цей пристрій покривається гарантією, що зазначено нижче.

- Гарантійний період для споживачів складає 24 місяці і починається з моменту придбання цього пристрою. Ця дата повинна бути задокументована у гарантійному талоні або чеку, що підтверджує покупку. Цей пристрій був розроблений і призначений тільки для споживача та приватного використання. У разі професійного або комерційного використання цього пристрою, він втрачає гарантію.
- Існує можливість продовжити гарантійний період, понад період описаний вище, для частини лінійки садових інструментів (перемінного/постійного струму) за допомогою реєстрації на сайті www.ryobitools.eu. Пристрої, які мають право на подовження гарантійного періоду, мають чіткі позначки щодо цього в магазинах і/або на упаковці / та документі до пристрою. Кінцевий користувач повинен зареєструвати його/її новопридбаний пристрій онлайн протягом 30 днів з дати покупки. Кінцевий користувач може зареєструватися для подовження гарантійного періоду в своїй країні постійного перебування, якщо вона є доступною у відповідній опції онлайн форми реєстрації. Крім того, кінцеві користувачі повинні дати свою згоду на зберігання даних, які необхідні для введення онлайн, а також вони повинні прийняти правила та умови. Отримавши підтвердження реєстрації, яке відправляється на адресу електронної пошти, та оригінал гарантійного талона і зазначеною датою покупки буде слугувати доказом подовженої гарантії.
- Гарантія поширюється на всі дефекти пристрою протягом гарантійного терміну щодо недотримання стандартів виробництва або матеріалів на дату придбання. Гарантія обмежується ремонтом та/або заміною, та не включає в себе будь-яких інших зобов'язань, в тому числі, але не обмежена у разі випадкових та подальших пошкоджень. Гарантія не діє, якщо пристрій використовувався неналежним чином, всупереч інструкції з експлуатації або був неправильно підключений до мережі. Дана гарантія не поширюється на:
 - пристрої, що були пошкоджені у результаті неправильного технічного обслуговування;
 - пристрої, що були видозмінені або модифіковані;
 - пристрої, оригінальне ідентифікаційне (товарний знак, серійний номер) маркування яких було пошкоджене, змінене або видалено;
 - будь-які пошкодження, заподіяні недотриманням інструкції з експлуатації;
 - пристрої, що не мають маркування CE;
 - пристрої, що були відремонтовані некваліфікованим фахівцем або за відсутності попереднього дозволу від Techntronics Industries;
 - пристрої, підключені до невідповідного джерела живлення (сила току, напруга, частота);
 - пристрої, що використовувалися із невідповідною паливною сумішшю (паливом, оливою, відсотковою часткою оливи);
 - будь-які пошкодження спричинені зовнішнім впливом (хімічним, фізичним, стрибком напруги) або сторонніми речовинами;
 - нормальну амортизацію запасних частин;
 - невідповідне використання, переваження пристрою;
 - використання невідтверджених запасних частин або аксесуарів;
 - Будь-які періодичні коригування або технічне очищення карбураторів
 - Компоненти (частини та аксесуари) з урахуванням нормального зношування, враховуючи але без обмеження на імпульсні кнопки, ремені приводу, зчеплення, леза कुшоріза або газонокосарки, ремені, троси досельного клапану, вугільні щітки, шнур живлення, зубці, фетрові підкладки, зчіпні штири, вентилятори повітрядувки, труби пілооса та повітрядувки, вакуумні мішки та накладки, напрямні, ланцюги, гнучкі шланги, з'єднувальні фітинги, розпилювальні насадки, колеса, жорсткі сопла, внутрішні котушки, зовнішні золотники, ріжучу волосін, свічки запалення, повітряні фільтри, протигазові фільтри, мульчувальні леза, т.д.
- Для обслуговування, пристрій має бути відправлений або поданий до одного з авторизованих сервісних центрів RYOBI, які перелічені для кожної країни у наступному переліку адрес сервісних центрів. У деяких країнах місцевий дилер RYOBI зобов'язується відправити пристрій до сервісного центру RYOBI. При відправленні пристрою до сервісного центру RYOBI, пристрій має бути надійно упакований без будь-якого небезпечного вмісту, наприклад бензину, з позначеною адресою відправника та супроводжується коротким описом несправності.
- Ремонт / заміна відповідно до цієї гарантії здійснюється безкоштовно. Це не є основою для подовження або початку нового гарантійного періоду. Замінні частини або прилади переходять до власності компанії. У деяких країнах вартість доставки або поштові витрати повинні бути сплачені відправником. Загально встановлені права покупця на пристрій залишаються незмінними
- Ця гарантія є дійсною у країнах, членах ЄС, Швейцарії, Іспанії, Норвегії, Лихтенштейні, Туреччині, Росії та Великій Британії. За межами цих зон, будь ласка, зверніться до офіційного дилера RYOBI, щоб визначити, чи застосовується інша гарантія.

АВТОРИЗОВАНІ СЕРВІСНІ ЦЕНТРИ

З будь-яких питань або проблем, пов'язаних з пристроєм, ви можете звернутися до місцевих авторизованих сервісних центрів (відвідайте www.ryobitools.eu) або напрямку до: Techntronics Industries GmbH, Max Eyth Straße 10, 71364 Winnenden, Germany. Будь ласка, вкажіть серійний номер та тип продукту, вказані на етикетці.



TR RYOBI GARANTİ UYGULAMA KOŞULLARI

Alımdan kaynaklanan yasal haklara ek olarak, ürün aşağıda belirtilen garanti kapsamındadır.

1. Tüketiciler için 24 ay olan garanti süresi, ürünün satın alındığı tarihte başlar. Bu tarihin bir fatura ya da alım kanıtıyla belgelenmesi gerekir. Ürün sadece tüketim ve özel kullanım için geliştirilmiş ve adanmıştır. Bu nedenle, profesyonel ya da ticari kullanım halinde garanti kapsamı sağlanmaz.
2. Bahçe aletlerinin bir bölümü (AC/DC) için www.ryobitools.eu sayfasındaki kayıt işlemini kullanarak garantisinin belirtilen sürenin ötesine uzatma imkanı mevcuttur. Aletlerin garanti süresinin uzatılmasına uygun olup olmadığı mağazalarda ve / veya ambalajda açıkça belirtilmiş olup, ürün dokümantasyonunda gösterilir. Son kullanıcının yeni aldığı aletleri satın alma tarihini izleyen 30 gün içinde kaydettirmesi gerekir. Son kullanıcı ikamet ettiği ülkede, bu seçeneğin geçerli olduğu çevrimiçi kayıt formunda belirtilmişse, uzatılmış garanti süresi için kayıt yaptırabilir. Dahası, son kullanıcıların çevrimiçi giriş için gerekli verilerin kaydedilmesine izin vermeli ve hüküm ve koşulları kabul etmelidir. E-posta ile gönderilen kayıt teyit makbuzu ve alım tarihini gösteren orijinal fatura uzatılmış garantisinin kanıtı olarak değerlendirilir.
3. Garanti, ürünün alım tarihindeki işçilik ve malzeme kusurları nedeniyle garanti süresi içinde oluşacak bütün arızalarını kapsar. Bu garanti onarım ve değiştirmeyle sınırlı olup, tesadüfi ya da dolaylı hasarlar da dahil, ancak bunlarla kısıtlı olmayan başka hiçbir taahhüdü kapsamaz. Garanti, ürünün kötü, kullanıcı kılavuzuna aykırı kullanılmış ya da yanlış bağlanmış olması halinde geçerli değildir. Bu garanti aşağıdakileri kapsamaz:
 - üründe, yanlış bakımdan kaynaklanan herhangi bir hasar
 - değiştirilmiş ya da modifiye edilmiş herhangi bir ürün
 - orijinal tanıtmı işaretleri (ticari marka, seri numarası) silinmiş, değiştirilmiş ya da kaldırılmış herhangi bir ürün
 - kullanma kılavuzuna uymamaktan kaynaklanmış herhangi bir hasar
 - herhangi bir AT dışı ürün
 - kalifiye olmayan personel tarafından ya da önceden Techtronic Industries onayı alınmadan onarılmış herhangi bir ürün.
 - uygunsuz güç kaynağına (amper, voltaj, frekans) bağlanmış herhangi bir ürün
 - uygunsuz bir yakıt karışımıyla (yakıt, yağ, yap yüzdesi) kullanılmış herhangi bir ürün
 - harici etkenlerden (kimyasal, fiziksel, darbe) veya yabancı cisimlerden kaynaklanan her türlü hasar
 - normal aşınır ve yıpranır aksam
 - uygunsuz kullanım, aletin aşırı yüklenmesi
 - onaysız aksesuar veya parça kullanımı
 - Karbüratörlere uygulanacak her türlü periyodik ayar, bakım veya temizlik
 - Darbe Düğmeleri, Tahrik Kayışları, Kavrama, Çit Budama ya da Çim Bıçme Makinelerinin Bıçakları, Kayış Koşumlar, Kablolu Gaz, Kömür Fırçalar, Güç Kablo, Dişler, Keçe Rondelalar, Bağlantı Pimleri, Üfleyci Pervaneleri, Üfleyci ve Vakum Boruları, Vakum Torbası ve Kayışları, Kılavuz Çubuklar, Zincir Testere, Hortumlar, Konektör bağlantıları, Püskürtme Memeleri, Çarklar, Püskürtme Çubukları, Dahili Makaralar, Harici Makaralar, Kesme Telleri, Bujiler, Hava Filtreleri, Gaz Filtreleri, Malçlama Bıçakları vb. gibi parçaları kapsayan, ancak bunlarla sınırlı olmayan, aşınma ve yıpranmaya tabi bileşenler (aksam ve aksesuarlar).
4. Ürünün servis için her ülkede aşağıdaki servis istasyonları adres listesinde yer alan yetkili bir RYOBI servis istasyonuna gönderilmesi ya götürülmesi gereklidir. Bazı ülkelerde, yerel RYOBI distribütörünüz ürünü RYOBI servis teşkilatına göndermeyi üstlenir. Bir ürün bir RYOBI servis istasyonuna gönderilirken, ürünün güvenli bir biçimde ambalajlanması, benzin gibi tehlikeli maddeler içermemesi, gönderenin adresini taşıması ve arızanın kısa bir açıklamasını içermesi gerekir.
5. Bu garanti kapsamında yapılacak onarım / değişiklik ücretsizdir. Garanti süresinin uzatılması ya da yeniden başlatılması anlamına gelmez. Değiştirilmiş parçalar veya aletler bize ait olur. Bazı ülkelerde teslimat ücretleri veya posta giderlerinin gönderici tarafından ödenmesi gerekir. Alımdan kaynaklanan yasal haklarınız etkilenmez.
6. Bu garanti Avrupa Birliği'nde, İsviçre, İzlanda, Norveç, Lihtenştayn, Türkiye, Rusya ve Birleşik Krallık'ta geçerlidir. Bu alanların dışında, başka bir garantisinin geçerli olup olmadığını belirlemek için lütfen yetkili RYOBI distribütörünüzle irtibata geçin.

YETKİLİ SERVİS MERKEZİ

Ürünle ilgili her türlü talep ve sorun yerel yetkili servis merkezlerine (www.ryobitools.eu adresini ziyaret edin) veya doğrudan aşağıdaki şekilde iletebilirsiniz: Techtronic Industries GmbH, Max Eyth Straße 10, 71364 Winnenden, Germany. Lütfen etikette yer alan seri numarasını ve ürün tipini belirtin.

EN EC DECLARATION OF CONFORMITY

Electric high pressure cleaner

Brand: RYOBI | Manufacturer¹ | Model number² | Serial number range³

We declare as the Manufacturer under our sole responsibility that the product mentioned below fulfills all the relevant provisions of the following European Directives, European Regulations and harmonised standards⁴

Measured sound power level..... 87,5 dB(A)
Guaranteed sound power level..... 91 dB(A)
Conformity assessment method to Annex V Directive 2000/14/EC amended by 2005/88/EC.

Authorised to compile the technical file:⁵

FR DÉCLARATION CE DE CONFORMITÉ

Nettoyeur haute pression électrique

Marque: RYOBI | Fabricant: ¹ | Numéro de modèle² | Étendue des numéros de série³

Nous déclarons sous notre entière responsabilité que le produit mentionné ci-dessous remplit toutes les dispositions pertinentes des directives et réglementations européennes suivantes, ainsi que des normes harmonisées ci-après⁴

Niveau de puissance sonore mesuré 87,5 dB(A)
Niveau de puissance sonore garanti 91 dB(A)
Méthode d'évaluation de conformité de l'annexe V Directive 2000/14/EC modifiée 2005/88/EC.

Autorisé à rédiger le dossier technique:⁵

DE EG-KONFORMITÄTSERKLÄRUNG

Elektrischer Hochdruckreiniger

Marke: RYOBI | Hersteller: ¹ | Modellnummer² | Seriennummernbereich³

Wir erklären in alleiniger Verantwortung, dass das nachstehend erwähnte Produkt allen einschlägigen Bestimmungen der folgenden EU-Richtlinien, EU-Vorschriften und harmonisierten Normen entspricht⁴

Gemessener Schalleistungspegel 87,5 dB(A)
Garantierter Schalleistungspegel 91 dB(A)
Konformitätsbeurteilungsmethode zu Anhang V Richtlinie 2000/14/EC wie durch 2005/88/EC.

Autorisiert die technische Datei zu erstellen:⁵

ES DECLARACIÓN CE DE CONFORMIDAD

Limpiadora eléctrica de alta presión

Marca: RYOBI | Fabricante¹ | Número de modelo² | Intervalo del número de serie³

Declaramos, bajo nuestra exclusiva responsabilidad, que el producto mencionado a continuación cumple con todas las disposiciones relevantes de las siguientes directivas, normas armonizadas y reglamentos europeos⁴

Nivel de potencia acústica medido 87,5 dB(A)
Nivel de potencia acústica garantizado 91 dB(A)
Método de evaluación de conformidad con el anexo V Directiva 2000/14/EC modificada por la 2005/88/EC.

Autorizado para elaborar la ficha técnica:⁵

IT DICHIARAZIONE CE DI CONFORMITÀ

Pulitore elettrico ad alta pressione

Marca: RYOBI | Ditta produttrice¹ | Numero modello² | Gamma numero seriale³

Dichiariamo sotto la nostra unica responsabilità che il prodotto descritto in basso soddisfa tutte le disposizioni delle direttive europee e che sono state osservate le norme seguenti⁴

Livello di potenza acustica misurato 87,5 dB(A)
Livello di potenza sonora garantita 91 dB(A)
Metodo di valutazione sulla conformità all'allegato V Direttiva 2000/14/EC modificata con la 2005/88/EC.

Autorizzato per compilare il file tecnico:⁵

NL EG-VERKLARING VAN OVEREENSTEMMING

Elektrische hogedrukreiniger

Merk: RYOBI | Fabrikant¹ | Modelnummer² | Seriennummerbereik³

Wij verklaren naar onze eigen verantwoordelijkheid, dat het hieronder genoemde product voldoet aan alle relevante bepalingen van de volgende Europese richtlijnen, Europese verordeningen en geharmoniseerde normen⁴

Gemeten geluidsniveau 87,5 dB(A)
Gegarandeerd geluidsniveau 91 dB(A)
Evaluatiemethode conformiteit volgens bijlage V Richtlijn 2000/14/EC gewijzigd door 2005/88/EC.

Afgevaardigde voor het samenstellen van de technische fiche:⁵

PT DECLARAÇÃO CE DE CONFORMIDADE

Lavadora de alta pressão eléctrica

Marca: RYOBI | Fabricante¹ | Número do modelo² | Intervalo do número de série³

Declaramos sob nossa exclusiva responsabilidade que o produto mencionado abaixo cumpre todas as disposições aplicáveis das seguintes diretivas, regulamentos e normas harmonizadas da União Europeia⁴

Nível de potência sonora medido 87,5 dB(A)
Nível de potência sonora garantido 91 dB(A)
Método de avaliação de conformidade para o anexo V Directiva 2000/14/EC alterada por 2005/88/EC.

Autorizado para compilar o ficheiro técnico:⁵

DA EF-OVERENSSTEMMELSEERKLÆRING

Elektrisk højtrykssvæmper

Brand: RYOBI | Producent¹ | Modelnummer² | Seriennummerområde³

Vi erklærer under eget ansvar, at produktet nævnt nedenfor opfylder alle de relevante forskrifter i de følgende europæiske direktiver, europæiske forordninger og harmoniserede standarder⁴

Målt støjniveau 87,5 dB(A)
Garanteret støjniveau 91 dB(A)
Overensstemmelsesvurderingsmetode til bilag V Direktiv 2000/14/EC ændret ved 2005/88/EC.

Bemyndiget til at udarbejde det tekniske kartotek:⁵

SV EG-FÖRSÄKRAN ÖVERENSSTÄMMELSE

Elektrisk högttrycksvätt

Märke: RYOBI | Tillverkare¹ | Modellnummer² | Seriennummerintervall³

Vi förklarar under eget ansvar att den produkt som nämns nedan uppfyller alla relevanta föreskrifter i följande europeiska direktiv, europeiska förordningar och harmoniserade standarder⁴

Uppmätt ljudeffektnivå 87,5 dB(A)
Garanterad ljudeffektnivå 91 dB(A)
Konformitetsbedömning gjord enligt metod i V Direktiv 2000/14/EC samt tillägen i 2005/88/EC.

Godkänd att sammanställa den tekniska filen:⁵

FI EY-VAATIMUSTENMUKAISUUSVAKUUTUS

Sähköinen korkeapainepesuri

Tuotemerkki: RYOBI | Valmistaja¹ | Mallinumero² | Sarjanumeroalue³

Vakuutamme alla mainitun tuotteen olevan seuraavien eurooppalaisten direktiivien, asetusten ja yhdenmukaistettujen standardien säännösten mukainen⁴

Mittattu ääniteho 87,5 dB(A)
Taattu ääniteho 91 dB(A)
Säännösten noudattaminen tarkastettu direktiivin 2000/14/EC liitteen V mukaisesti muutettu direktiivillä 2005/88/EC.

Valtuutettu kokoamaan tekninen tiedosto:⁵

NO CE-SAMSVARERKLÆRING

Elektrisk høytrykkspsylper

Merk: RYOBI | Producent¹ | Modellnummer² | Seriennummerserie³

Vi erklærer på eget ansvar at produktet beskrevet nedenfor oppfyller alle de relevante bestemmelserne i de europeiske direktiver, europeiske forskrifter og harmoniserte standarder⁴

Målt lydeffektnivå 87,5 dB(A)
Garantert lydeffektnivå 91 dB(A)
Metode for vurdering av konformitet til Tillegg V Direktiv 2000/14/EC endret ved 2005/88/EC.

Autorisert til å sette sammen den tekniske filen:⁵

RU ДЕКЛАРАЦИЯ О СООТВЕТСТВИИ СТАНДАРТАМ ЕС

Электрический очиститель высокого давления

Марка: RYOBI | Изготовитель¹ | Номер модели² | Диапазон заводских номеров³

Со всей ответственностью заявляем, что нижеупомянутое изделие отвечает всем соответствующим положениям следующих европейских директив, европейских регламентов, а также гармонизированных стандартов⁴

Измеренный уровень звуковой мощности 87,5 dB(A)
Гарантируемый уровень звуковой мощности 91 dB(A)
Способ оценки соответствия, приложение V к директиве 2000/14/EC с изменениями 2005/88/EC.

Лицо, ответственное за подготовку технической документации:⁵

PL DEKLARACJA ZGODNOŚCI WE

Elektryczna myjka ciśnieniowa

Marka: RYOBI | Producent¹ | Numer modelu² | Zakres numerów seryjnych³

Oświadczamy na własną odpowiedzialność, że produkt opisany w sekcji „Specyfikacja” spełnia wszystkie istotne postanowienia wymienionych poniżej dyrektyw UE, przepisów europejskich oraz norm zharmonizowanych⁴

Zmierzony poziom mocy akustycznej 87,5 dB(A)
Gwarantowany poziom mocy akustycznej 91 dB(A)
Metoda ocena zgodności zgodnie z aneksem V Dyrektywa 2000/14/EC zmieniona przez dyrektywę 2005/88/EC.

Osoba upoważniona do sporządzenia dokumentu technicznego:⁵

CS CE PROHLÁŠENÍ O SHODĚ

Elektrický vysokotlaký čistič

Značka: RYOBI | Výrobce¹ | Číslo modelu² | Rozsah sériových čísel³

Výhradně na vlastní odpovědnost prohlašujeme, že níže uvedený výrobek splňuje všechna příslušná ustanovení evropských směrnic, evropských nařízení a harmonizovaných norem⁴

Změněná hladina akustického výkonu 87,5 dB(A)
Zaručená hladina akustického výkonu 91 dB(A)
Soulad s metodou určování pro přílohu V směrnice 2000/14/EC upravená 2005/88/EC.
Pověření ke kompilaci technického souboru:⁵



HU EK-MEGFELELŐSÉGI NYILATKOZATA

Elektronikus nagynyomású tisztító

Márka: RYOBI | Gyártó¹ | Típuszám² | Sorozatszám tartomány:³

Kizárólagos felelősségünk keretében nyilatkozunk, hogy az alább említett termék megfelel a következő európai irányelvek, szabályozások és harmonizált szabványok vonatkozó rendelkezéseinek⁴

Mért hangteljesítményszint..... 87,5 dB(A)
Garantált hangteljesítményszint..... 91 dB(A)
A megfelelőségi értékelési eljárás a 2000/14/EC irányelv V. függeléké szerint történt által módosított 2005/88/EC irányelv.

A műszaki dokumentáció összeállítására felhatalmazott.⁵

RO DECLARAȚIE DE CONFORMITATE CE

Curățitor electric de înaltă presiune

Marcă: RYOBI | Producător¹ | Număr serie² | Gamă număr serie³

Declaram pe proprie responsabilitate că produsul menționat mai jos îndeplinește toate prevederile relevante ale directivelor Uniunii Europene, ale Regulamentelor UE și standardele armonizate⁴

Nivelul măsurat al puterii acustice..... 87,5 dB(A)
Nivelul garantat al puterii acustice..... 91 dB(A)
Metoda de evaluare a conformității cu Anexa V Directiva 2000/14/EC modificată prin 2005/88/EC.

Autorizat să completeze fișa tehnică.⁵

LV EK ATBILSTĪBAS DEKLARĀCIJA

Elektriskais augstspiediena mazgātājs

Zīmols: RYOBI | Ražotājs¹ | Modeļa numurs² | Sērijas numura intervāls³

Ar pilnu atbildību mēs deklarējam, ka tālāk norādītais produkts izpilda visas atbilstošās norādīto Eiropas direktīvu, Eiropas regulu un harmonizēto standartu prasības⁴

Izmērītās skaņas jaudas līmenis..... 87,5 dB(A)
Garantētās skaņas intensitātes līmenis..... 91 dB(A)
Atbilstības novērtēšanas metode pielikumam V Direktīvai 2000/14/EC labota 2005/88/EC. Pilnvarots sastādīt tehnisko failu.⁵

LT EB ATTIKTIES DEKLARACIJA

Elektrinis aukšto slėgio valytuvais

Prekės ženklas: RYOBI | Gamintojas¹ | Modelio numeris² | Serijinio numerio diapazonas³

Mes atsakingai pareiškiame, kad toliau minimas gaminytis atitinka nurodytus Europos direktyvas, Europos reglamentas ir darniausius standartus⁴

Išmatuotas akustinis lygis..... 87,5 dB(A)
Garantuotas akustinis lygis..... 91 dB(A)
Atitikties įvertinimo metodas pagal direktyvos 2000/14/EC, V Priedą su pataisomis 2005/88/EC.

Įgaliotas sudaryti techninį failą.⁵

ET EÜ VASTAVUSDEKLARATSIOON

Elektriline survepesur

Mark: RYOBI | Tootja¹ | Mudeli number² | Seerianumbri vahemik³

Kinnitame oma ainuvastutusele, et allpool nimetatud toode vastab järgmistele Euroopa direktiivide, Euroopa määruste ja ühtlustatud standardite kõigile asjaomastele sätetele⁴

Mõõdetud helivõimsuse tase..... 87,5 dB(A)
Garanteeritud helivõimsuse tase..... 91 dB(A)
Vastavushindamine vastavalt lisale V direktiivis 2000/14/EC muudetud direktiiviga 2005/88/EC.

Tehnilise faili koostamiseks volitatud isik.⁵

HR IZJAVA O SKLADNOSTI

Električni visokotlačni čistáč

Marka: RYOBI | Proizvođač¹ | Broj modela² | Raspon serijskih broja³

Pod punom odgovornošću izjavljujemo da proizvod naveden u nastavku zadovoljava sve relevantne odredbe sljedećih europskih direktiva, europskih uredbi i usklađenih normi⁴

Izmiřena razina zvučne snage..... 87,5 dB(A)
Jamčena razina zvučne snage..... 91 dB(A)
Metoda procjene usklađenosti prema Dodatku V Direktive 2000/14/EC navedeno u 2005/88/EC.

Ovlašten da sastavi tehničku datoteku.⁵

SL ES-IZJAVA O SKLADNOSTI

Električni visokotlačni čistilec

Znamka: RYOBI | Proizvajalec¹ | Številka modela² | Razpon serijskih števil³

Pod izključno lastno odgovornostjo izjavljamo, da spodaj navedeni izdelek izpolnjuje vse rezne pise naslednjih evropskih direktiv, evropskih uredb in harmoniziranih standardov⁴

Izmerjena raven zvočne moči..... 87,5 dB(A)
Zajamčena raven zvočne moči..... 91 dB(A)
Način ugotavljanja skladnosti z aneksom V direktive 2000/14/EC ki je bila spreminjena z 2005/88/EC.

Pooblašena oseba za sestavo tehnične dokumentacije.⁵

SK ES VYHLÁSENIE O ZHODE

Elektrický vysokotlakový čistáč

Značka: RYOBI | Výrobca¹ | Číslo modelu² | Rozsah sériových čísel³

Na vlastnú zodpovednosť vyhlasujeme, že dolu uvedený výrobok vyhovuje príslušným ustanoveniam nasledujúcich európskych smerníc, európskych nariadení a harmonizovaných noriem⁴

Nameraná úroveň hluku..... 87,5 dB(A)
Garantovaná úroveň hluku..... 91 dB(A)
Spôsob určenia zhody podľa Dodatku V Smernica 2000/14/EC doplnená o 2005/88/EC.

Oprávnená osoba na zostavenie technického súboru.⁵

BG CE - ДЕКЛАРАЦИЯ ЗА СЪОТВЕТСТВИЕ

Електрическа почистваща машина под високо налягане

Марка: RYOBI | Производител¹ | Номер на модела² | Обхват на серийни номера³

Декларираме на своя лична отговорност, че продуктът, посочен по-долу, отговаря на всички съответни разпоредби на директивите и регламентите на Европейския съюз и хармонизираните стандарти по-долу⁴

Измерено ниво на шум..... 87,5 dB(A)
Гарантирано ниво на шум..... 91 dB(A)
Метод за оценяване на съответствието с приложение V Директива 2000/14/EC, изменена от 2005/88/EC.

Упълномощено лице за съставяне на техническия файл.⁵

UK СЕРТИФІКАТ ВІДПОВІДНОСТІ ВИМОГАМ ЄС

Електрична мийка високого тиску

Марка: RYOBI | Виробник¹ | Номер моделу² | Діапазон серійного номеру³

Ми відповідально заявляємо, що описаний ніжче пристрій відповідає всім чинним положенням директив ЄС, Європейських норм та гармонізованих стандартів⁴

Вимірний рівень звукової потужності..... 87,5 dB(A)
Гарантований рівень звукової потужності..... 91 dB(A)
Метод оцінки відповідності Annex V Directive 2000/14/EC з поправками, внесеними 2005/88/EC.

Дозвіл на складання технічного файлу.⁵

TR CE UYGUNLUK BEYANI

Elektrikli yüksek basınçlı temizleyici

Marka: RYOBI | Üretici¹ | Model numarasi² | Seri numarasi araligi³

Tüm sorumluluğu bize ait olmak üzere, aşağıda belirtilen ürünün aşağıdaki Avrupa Direktifleri, Avrupa Mevzuatı ve uyumlaştırılmış standartların ilgili hükümlerini yerine getirdiğini beyan ederiz⁴

Ölçülen ses gücü seviyesi..... 87,5 dB(A)
Güvenceli ses gücü seviyesi..... 91 dB(A)
2005/88/AT ile değiştirilen 2000/14/AT Direktifi Ek V uyarınca uygunluk değerlendirilmesi yöntemi.

Teknik dosyayı derlemele yetkili sorumlu.⁵

¹ Techntron Industries GmbH
Max-Eyth-Straße 10, 71364 Winnenden, Germany

² RY100PWA/RJY110PWA

³ RY100PWA: 47585501000000 - 47585501999999
RJY110PWA: 47586101000000 - 47586101999999

⁴ 2006/42/EC, 2014/30/EU, 2011/65/EU, EN 60335-1:2012+A2:2019, EN 60335-2-79:2012, EN 55014-1:2017+A11:2020, EN 55014-2:2015, EN IEC 63000:2018, EN IEC 61000-3-2:2019, EN 61000-3-3:2013+A1:2019, EN 62233:2008

Sven Eschring
VP of Engineering - TTI Outdoor Power Division
Winnenden, Jan. 15, 2021

⁵ Alexander Krug, Managing Director
Techntron Industries GmbH
Max-Eyth-Straße 10, 71364 Winnenden, Germany



GB-DECLARATION OF CONFORMITY

Manufacturer: Techtronic Industries GmbH
Max-Eyth-Straße 10, 71364 Winnenden, Germany

We declare as the manufacturer under our sole responsibility that the product mentioned below

Electric high pressure cleaner
Brand: RYOBI
Model number: RY100PWARY110PWA
Serial number range:
RY100PWA: 47585601000000 - 47585601999999
RY110PWA: 47586201000000 - 47586201999999

fulfills all the relevant provisions of the following Regulations: S.I. 2008/1597 (as amended), S.I. 2016/1091 (as amended), S.I. 2012/3032 (as amended) and that the following designated standards have been used:

BS EN 60335-1:2012+A2:2019, BS EN 60335-2-79:2012,
BS EN 55014-1:2017+A11:2020, BS EN 55014-2:2015,
BS EN IEC 61000-3-2:2019, BS EN 61000-3-3:2013+A1:2019,
BS EN IEC 63000:2018, BS EN 62233:2008

Measured sound power level: 87.5 dB(A)

Guaranteed sound power level: 91 dB(A)

Conformity assessment method to S.I. 2001/1701 Schedule 8 (as amended)



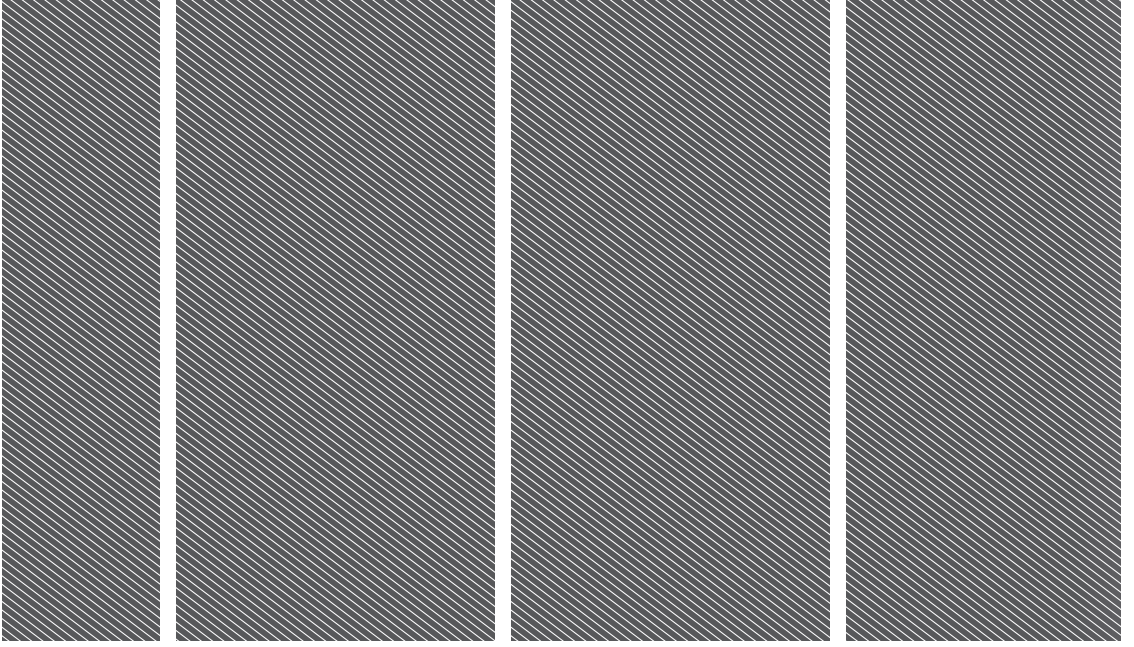
Sven Eschrich
VP of Engineering - TTI Outdoor Power Division
Winnenden, Jan. 15, 2021

Authorised to compile the technical file:
Techtronic Industries (UK) Ltd
Fieldhouse Lane
Marlow Bucks SL7 1HZ
UK



- EN** RYOBI is a trade mark of Ryobi Limited, and is used under license.
KÄRCHER is a registered trade mark of Alfred Kärcher GmbH & Co.KG.
- FR** RYOBI est une marque déposée de Ryobi Limited, et est utilisée sous licence.
KÄRCHER est une marque déposée d'Alfred Kärcher GmbH & Co. KG.
- DE** RYOBI ist ein Markenzeichen von Ryobi Limited und wird in Lizenz verwendet.
KÄRCHER ist ein eingetragenes Warenzeichen der Alfred Kärcher GmbH & Co. KG.
- ES** RYOBI es una marca registrada de Ryobi Limited, y se utiliza bajo licencia.
KÄRCHER es una marca registrada de Alfred Kärcher GmbH & Co. KG.
- IT** L'utilizzo del marchio registrato RYOBI è legato alla licenza concessa da Ryobi Limited.
KÄRCHER è un marchio commerciale registrato di Alfred Kärcher GmbH & Co. KG.
- NL** RYOBI is een handelsmerk van Ryobi Limited en wordt onder licentie gebruikt.
KÄRCHER is een geregistreerd handelsmerk van Alfred Kärcher GmbH & Co. KG.
- PT** RYOBI é uma marca comercial de Ryobi Limited, e é utilizada sob licença.
KÄRCHER é uma marca registada da Alfred Kärcher GmbH & Co. KG.
- DA** RYOBI er et varemærke tilhørende Ryobi Limited og bruges under licens.
KÄRCHER er et registreret varemærke tilhørende Alfred Kärcher GmbH & Co. KG.
- SV** RYOBI är en del av varumärke Ryobi Limited och dess användning är licensierad.
KÄRCHER är ett registrerat varumärke för Alfred Kärcher GmbH & Co. KG.
- FI** RYOBI on Ryobi Limitedin omistama tavaramerkki, ja sitä käytetään lisenssin puitteissa.
KÄRCHER on Alfred Kärcher GmbH & Co:n rekisteröity tavaramerkki. KG.
- NO** RYOBI er et varemerke for Ryobi Limited, og brukes under lisens.
KÄRCHER er et registrert varemerke som tilhører Alfred Kärcher GmbH & Co. KG.
- RU** RYOBI является товарным знаком компании Ryobi Limited, используемым по лицензии.
KÄRCHER является зарегистрированным товарным знаком компании Alfred Kärcher GmbH & Co. KG.
- PL** RYOBI to znak towarowy firmy Ryobi Limited i jest używany zgodnie z udzieloną licencją.
KÄRCHER jest zarejestrowanym znakiem handlowym Alfred Kärcher GmbH & Co. KG.
- CS** RYOBI je ochranná známka společnosti Ryobi Limited a její používání podléhá licenci.
KÄRCHER je registrovaná ochranná známka společnosti Alfred Kärcher GmbH & Co. KG.
© 2019-20 Techtronic Cordless GP.
- HU** A RYOBI a Ryobi Limited védjegye, használatra licenc keretében történik.
A KÄRCHER az Alfred Kärcher GmbH & Co. KG bejegyzett védjegye. védjegye.
- RO** RYOBI este o marcă comercială a firmei Ryobi Limited și este utilizată sub licență.
KÄRCHER este o marcă comercială înregistrată a Alfred Kärcher GmbH & Co. KG.
- LV** RYOBI ir Ryobi Limited preču zīme un tiek izmantota saskaņā ar licenci.
KÄRCHER ir Alfred Kärcher GmbH & Co reģistrēta preču zīme. KG.
- LT** „RYOBI“ yra „Ryobi Limited“ prekės ženklas, naudojamas pagal licenciją.
KÄRCHER yra registruotasis „Alfred Kärcher GmbH & Co“ prekės ženklas. KG.
- ET** RYOBI on ettevõtte Ryobi Limited kaubamärk, mida kasutatakse litsentsi alusel.
Ühilduv adapter KÄRCHERi survepesuri tarvikutele. KÄRCHER on Alfred Kärcher GmbH & Co. KG registreeritud kaubamärk.
- HR** RYOBI je žig tvrtke Ryobi Limited i koristi se po licenci.
KÄRCHER je registrirani žig tvrtke Alfred Kärcher GmbH & Co. KG.
- SL** RYOBI je blagovna znamka družbe Ryobi Limited in se uporablja na podlagi dovoljenja.
KÄRCHER je registrirana blagovna znamka podjetja Alfred Kärcher GmbH & Co. KG.
- SK** RYOBI je ochranná známka spoločnosti Ryobi Limited a používa sa na základe licencie.
KÄRCHER je registrovaná ochranná známka spoločnosti Alfred Kärcher GmbH & Co. KG.
- BG** RYOBI е търговска марка на Ryobi Limited и се използва под лиценз.
KÄRCHER е регистрирана търговска марка на Alfred Kärcher GmbH & Co. KG.
- UK** RYOBI е товарним знаком Ryobi Limited, і використовується за ліцензією.
KÄRCHER - зареєстрована торгова марка Alfred Kärcher GmbH & Co. KG.
- TR** RYOBI, Ryobi Limited şirketine ait olup, lisans altında kullanılan bir ticari markadır.
KÄRCHER, Alfred Kärcher GmbH & Co. KG. şirketinin tescilli ticari markasıdır.





Techtronic Industries GmbH
Max-Eyth-Straße 10,
71364 Winnenden, Germany

Techtronic Industries (UK) Ltd
Fieldhouse Lane
Marlow Bucks SL7 1HZ
UK

099903058001-01

