

RYOBI®

R18N18G

ORIGINAL INSTRUCTIONS

TRADUCTION DES INSTRUCTIONS ORIGINALES
ÜBERSETZUNG DER ORIGINALANLEITUNG
TRADUCCIÓN DE LAS INSTRUCCIONES ORIGINALES
TRADUZIONE DELLE ISTRUZIONI ORIGINALI
VERTALING VAN DE ORIGINELE INSTRUCTIES
TRADUÇÃO DAS INSTRUÇÕES ORIGINAIS
OVERSETTELSE AF DE ORIGINALE INSTRUKTIONER
ÖVERSÄTTNING AV DE URSPRUNGLIGA INSTRUKTIONERNA
ALKUPERÄISTEN OHJEIDEN SUOMENNOS
OVERSETTELSE AV DE ORIGINALE INSTRUKSJONENE
ИНСТРУКЦИЯ ПО ЭКСПЛУАТАЦИИ
TŁUMACZENIE INSTRUKCJI ORYGINALNEJ
PŘEKLAD ORIGINÁLNÍCH POKYNŮ
AZ EREDETI ÚTMUTATÓ FORDÍTÁSA
TRADUCEREA INSTRUCȚIUNILOR ORIGINALE
TULKOTS NO ORIGINĀLĀS INSTRUKCIJAS
ORIGINALIŲ INSTRUKCIJŲ VERTIMAS
ORIGINAALJUHENDI TÖLGE
PRIJEVOD ORIGINALNIH UPUTA
PREVOD ORIGINALNIH NAVODIL
PREKLAD ORIGINÁLNYCH POKYNOV
ПРЕВОД ОТ ОРИГИНАЛНИТЕ ИНСТРУКЦИИ
ПЕРЕКЛАД ОРИГІНАЛЬНИХ ІНСТРУКЦІЙ
ORIJINAL TALIMATLARIN TERCÜMESİ
ΜΕΤΑΦΡΑΣΗ ΤΩΝ ΠΡΩΤΟΤΥΠΩΝ ΟΔΗΓΙΩΝ

EN
FR
DE
ES
IT
NL
PT
DA
SV
FI
NO
RU
PL
CS
HU
RO
LV
LT
ET
HR
SL
SK
BG
UK
TR
EL





- Important!** It is essential that you read the instructions in this manual before assembling, maintaining and operating the product.
- Attention!** Il est essentiel que vous lisiez les instructions contenues dans ce manuel avant d'assembler, d'entretenir et d'utiliser le produit.
- Achtung!** Es ist wichtig, dass Sie vor Zusammenbau, Wartung und Benutzung des Produktes die Anweisungen in dieser Anleitung lesen.
- ¡Atención!** Resulta fundamental que lea este manual de instrucciones antes de realizar el montaje, el mantenimiento y de utilizar este producto
- Attenzione!** È importante leggere le istruzioni contenute nel presente manuale prima di montare il prodotto, svolgere le operazioni di manutenzione sullo stesso e metterlo in funzione.
- Let op!** Het is van essentieel belang dat u de instructies in deze gebruiksaanwijzing leest voor u het product monteert, onderhoudt en gebruikt.
- Atenção!** É fundamental que leia as instruções deste manual antes da montagem, manutenção e operação do aparelho.
- OBS!** Det er vigtigt, at man læser instrukserne i denne brugsanvisning, inden man samler, vedligeholder og betjener produktet.
- Observera!** Det är viktigt att du läser instruktionerna i manualen före montering, användning och underhåll av produkten.
- Huomio!** On tärkeää, että luet tämän käsikirjan ohjeet ennen tuotteen kokoamista, huoltoa ja käyttöä.
- Advarsel!** Det er vigtigt at du leser instruksjonene i denne manualen før sammensetning, vedlikehold og bruk av produktet
- Внимание!** Необходимо прочитать инструкции в данном руководстве перед сборкой, обслуживанием и эксплуатацией этого изделия.
- Uwaga!** Konieczne należy przeczytać instrukcje zawarte w tym podręczniku przed montażem, obsługą oraz konserwacją produktu.
- Důležité upozornění!** Neinstalujte, neprovádějte údržbu ani nepoužívejte tento výrobek dřív, než si přečtete pokyny uvedené v tomto návodu.
- Figyelem!** Fontos, hogy a termék összeszerelése, karbantartása és használatá előtt elolvassa a kézikönyvben található utasításokat.
- Atenție!** Este esențial să citiți instrucțiunile din acest manual înainte de asamblare, efectuarea întreinerii și operarea produsului.
- Uzmanību!** Ir svarīgi izlasīt šīs rokasgrāmatas instrukcijas pirms uzstādīšanas, apkopes un preces darbināšanas.
- Dėmesio!** Prieš surenkant, prižiūrint ir naudojant gaminį, būtina perskaityti šiam vadove pateiktus nurodymus.
- Tähtis!** Enne masina kokkupanekut, hooldamist ja kasutama hakkamist tuleb käesolevas juhendis esitatud juhised kindlasti läbi lugeda.
- Upozorenie!** Vrlo je važno da ste prije sklapanja, održavanja i rada s ovim proizvodom pročitali upute u ovom priručniku.
- Pomembno!** Pomembno je da pred montažo vzdrževanjem in uporabo tega izdelka preberete navodila v tem priručniku.
- Upozornenie!** Je dôležité, aby ste si pred montážou, údržbou a obsluhou produktu prečítali pokyny v tomto návode.
- Важно!** Исключительно важно е да прочетете инструкциите в настоящото ръководство, преди да преминете към сглобяване, поддръжка или работа с продукта.
- Важливо!** Дуже важливо, щоб ви прочитали інструкції в цьому керівництві перед складанням, обслуговуванням та експлуатацією цієї машини.
- Dikkat!** Ürünün montajını, bakımını yapmadan ve ürünü çalıştırmadan önce bu kılavuzda yer alan talimatları okumanız önemlidir.
- Προσοχή!** Είναι πολύ σημαντικό να διαβάσετε τις οδηγίες στο παρόν εγχειρίδιο πριν συναρμολογήσετε, συντηρήσετε ή λειτουργήσετε το προϊόν.

Subject to technical modification | Sous réserve de modifications techniques | Technische Änderungen vorbehalten | Bajo reserva de modificaciones técnicas | Con riserva di eventuali modifiche tecniche | Technische wijzigingen voorbehouden | Com reserva de modificações técnicas | Med forbehold for tekniske ændringer | Med förbehåll för tekniska ändringar | Tekniset muutokset varataan | Med forbehold om tekniske endringer | могут быть внесены технические изменения | Z zastrzeżeniem modyfikacji technicznych | Změny technických údajů vyhrazeny | A műszaki módosítás jogát fenntartjuk | Sub rezerva modifiцаiilor tehnice | Paturam tiesības mainīt tehnisko raksturlielumus | Pasiilikant teise daryti techninius pakeitimus | Tehnilised muudatused võimalikud | Podložno tehničkim promjenama | Tehnične spremembe dopuščene | Právo na technické zmeny je vyhradené | Подлежи на технически модификации | Є об'єктом для технічних змін | Teknik değişiklik hakkı saklıdır | Υπό την επιφύλαξη τεχνικών τροποποιήσεων





Safety, performance, and dependability have been given top priority in the design of your nailer.

INTENDED USE

The nailer is intended to be used only by adults who have read and understood the instructions and warnings in this manual and can be considered responsible for their actions.

The nailer is intended for driving nails into wood or similar soft materials from a magazine containing a strip of suitable nails. The nails, which can be safely loaded into the magazine for the product are described in the product specification table in this manual. Do not use any other type of nail or fixing with the nailer. Do not operate in contact actuation mode while working on scaffold, ladder or other platform where a change in working position is required. Use only full sequential mode in this case. The nailer should not be used for fixing electric cables.

Do not use the product for any purpose other than as stated in intended use.

⚠ WARNING

Read all safety warnings and all instructions. Failure to follow the warnings and instructions may result in electric shock, fire and/or serious injury.

Save all warnings and instructions for future reference.

NAILER SAFETY WARNINGS

- **Always assume that the tool contains fasteners.** Careless handling of the nailer can result in unexpected firing of fasteners and personal injury.
- **Do not point the tool towards yourself or anyone nearby.** Unexpected triggering will discharge the fastener causing an injury.
- **Do not actuate the tool unless the tool is placed firmly against the workpiece.** If the tool is not in contact with the workpiece, the fastener may be deflected away from your target.
- **Disconnect the tool from the power source when the fastener jams in the tool.** While removing a jammed fastener, the nailer may be accidentally activated if it is plugged in.
- **Use caution while removing a jammed fastener.** The mechanism may be under compression and the fastener may be forcefully discharged while attempting to free a jammed condition.
- **Do not use this nailer for fastening electrical cables.** It is not designed for electric cable installation and may damage the insulation of electric cables thereby causing electric shock or fire hazards.
- Always ensure that the workpiece contact is fully positioned above the material to be fastened. Positioning the workpiece contact partially above the material to be fastened could cause the nail to miss the material completely and result in serious personal injury.
- Do not drive nails near the edge of the material. The workpiece may split causing the nail to ricochet, injuring you or a co-worker. Be aware that the nail may follow the grain of the wood, causing it to protrude unexpectedly from the side of the work material or deflect, possibly causing injury.
- Secure the material to be fastened with clamps when necessary to keep hands and body out of potential harm. Be sure the material to be fastened is properly secured before pressing the workpiece contact against the material. The driving of the nail may cause the material to shift unexpectedly.
- Keep face and body parts away from back of the tool cap when working in restricted areas. Sudden recoil can result in impact to the body, especially when nailing into hard or dense material.
- During normal use the product will recoil immediately after driving a fastener. Do not attempt to prevent the recoil by holding the product against the work. Restricting the recoil can result to a second fastener being driven from the product. Grip the handle firmly, let the product do the work and do not place a second hand on top of the product or near the product's exhaust at any time. Failure to heed the warning can result in serious personal injury.
- Do not drive fasteners on top of other fasteners or with the product at an overly steep angle as this may cause deflection of fasteners which could cause injury.
- Always check the work area for hidden wiring, gas lines, water lines, etc. before using the product.
- After using the product in the contact actuation mode, always switch it back to the full sequential mode.
- The driving depth of the nail may be adjusted beyond the depth you require. It is advisable to check the driven depth of a nail on a scrap workpiece to determine and adjust, if required, the depth for the application.
- Only fasteners matching the description in the product specification table can be used with the product. Using incorrect fasteners may lead to jamming or other malfunctions.
- Do not select contact actuation mode when working on scaffolds, ladders or platforms where you may need to move your body position. You may unintentionally fire a nail by inadvertent activation of the workpiece contact while moving about if the contact actuation mode is selected. When moving positions, select full sequential activation or deactivate the product completely by removing the battery pack. This will reduce the potential for injury to yourself and others.

ADDITIONAL SAFETY WARNINGS

- Always be aware that misuse and improper handling of the product can cause injury to yourself and others.
- The product is designed for single-hand use. The product must only be held by the operating handle. Keep the other hand well away from the work area and the product. Do not place your head or other body parts

**DEPTH ADJUSTMENT SAFETY WARNINGS**

- Always remove the battery before adjusting the depth of drive wheel.
- Do not pull back on the adjustment wheel, the wheel is designed to be rotated.
- Do not press the trigger while adjusting the depth of drive wheel.
- Always select full sequential firing mode before adjusting the depth of drive.
- Do not point the tool towards yourself or anyone nearby when adjusting the depth of drive.

ADDITIONAL BATTERY SAFETY WARNINGS**⚠ WARNING**

To reduce the risk of fire, personal injury, and product damage due to a short circuit, never immerse your tool, battery pack or charger in fluid or allow a fluid to flow inside them. Corrosive or conductive fluids, such as seawater, certain industrial chemicals, and bleach or bleach-containing products, etc., can cause a short circuit.

TRANSPORTING LITHIUM BATTERIES

Transport the battery in accordance with local and national provisions and regulations.

Follow all special requirements on packaging and labelling when transporting batteries by a third party. Ensure that no batteries can come in contact with other batteries or conductive materials while in transport by protecting exposed connectors with insulating, non-conductive caps or tape. Do not transport batteries that are cracked or leaking. Check with the forwarding company for further advice.

RESIDUAL RISKS

Even when the product is used as prescribed, it is still impossible to completely eliminate certain residual risk factors. The following hazards may arise and the operator should pay special attention to avoid the following:

- Damage to hearing
Note: Always wear effective hearing protection and limit exposure to noise.
- Injury to the eyes caused by incorrectly driven nails or flying dust and debris.
Note: Always wear suitable eye protection.
- Injury caused by vibration
Note: Hold the tool by designated handles and limit exposure to vibration. See Risk Reduction.
- Lacerations caused by contact with sharp points.
Note: Take extra care when handling or loading nails.
- The product is heavy.
Note: The product is heavy. Beware of muscle strain when operating the product for extended periods, especially if using overhead.

RISK REDUCTION

It has been reported that vibrations from handheld tools may contribute to a condition called Raynaud's Syndrome in certain individuals. Symptoms may include tingling, numbness and blanching of the fingers, usually apparent upon exposure to cold. Hereditary factors, exposure to cold and dampness, diet, smoking, and work practices are all thought to contribute to the development of these symptoms. There are measures that can be taken by the operator to possibly reduce the effects of vibration:

- Keep your body warm in cold weather. When operating the product, wear gloves to keep the hands and wrists warm. It is reported that cold weather is a major factor contributing to Raynaud's Syndrome.
- After each period of operation, exercise to increase blood circulation.
- Take frequent work breaks. Limit the amount of exposure per day.

If you experience any of the symptoms of this condition, immediately discontinue use and see your doctor about these symptoms.

⚠ WARNING

Injuries may be caused, or aggravated, by prolonged use of a tool. When using any tool for prolonged periods, ensure you take regular breaks.

KNOW YOUR PRODUCT

See *page 105*.

1. Firing mode selector
2. LED lights trigger
3. Operating handle, insulated gripping surface
4. Air pressure adjustment knob
5. Nail depth adjustment wheel
6. Jam release lever
7. Workpiece contact actuator
8. Low nail indicator window
9. Magazine
10. Magazine slide latch
11. Firing actuation trigger
12. Belt clip
13. Battery port

MAINTENANCE**⚠ WARNING**

The product should never be connected to a power supply when you are assembling parts, making adjustments, cleaning, performing maintenance, or when the product is not in use. Disconnecting the product will prevent accidental starting that could cause serious injury.

- When servicing, use original manufacturer's replacement parts. Use of any other parts may create a hazard or cause product damage.
- Avoid using solvents when cleaning plastic parts. Most



plastics are susceptible to various types of commercial solvents and may be damaged by their use. Use clean cloths to remove dirt, carbon dust, etc.

- Do not at any time let brake fluids, gasoline, petroleum-based products, penetrating oils, etc., come in contact with plastic parts. They contain chemicals that can damage, weaken or destroy plastic.
- Always wear safety goggles or safety glasses with side shields during power tool operation or when blowing dust. If operation is dusty, also wear a dust mask.
- For greater safety and reliability, all repairs should be performed by an authorised service centre.

LUBRICATION

All of the bearings in the product are lubricated with a sufficient amount of high grade lubricant for the life span of the product under normal operating conditions. Therefore, no further lubrication is required.

Do not use lubricants on nails, nail magazine or driving mechanism. Keep clean.

ENVIRONMENTAL PROTECTION



Recycle raw materials instead of disposing of as waste. The machine, accessories and packaging should be sorted for environmental-friendly recycling.

SYMBOLS



Safety alert



CE conformity



EurAsian Conformity Mark



Ukrainian mark of conformity



Read operator's manual



LED work lights



Depth adjustment



Full sequential actuation



Contact actuation



Waste electrical products should not be disposed of with household waste. Please recycle where facilities exist. Check with your local authority or retailer for recycling advice.

SYMBOLS IN THIS MANUAL



Note



Tip



LED light



Deep penetration



Shallow penetration



Connect battery



Torque, maximum



Torque, minimum

The following signal words and meanings are intended to explain the levels of risk associated with this product:

DANGER

Indicates an imminently hazardous situation, which, if not avoided, will result in death or serious injury.

WARNING

Indicates a potentially hazardous situation, which, if not avoided, could result in death or serious injury.

CAUTION

Indicates a potentially hazardous situation, which, if not avoided, may result in minor or moderate injury.

CAUTION

(Without Safety Alert Symbol) Indicates a situation that may result in property damage.



La plus grande priorité a été donnée à la sécurité, aux performances et à la fiabilité de votre cloueuse lors de sa conception.

UTILISATION PRÉVUE

Cette cloueuse est destinée à n'être utilisée que par des adultes ayant lu et compris les instructions et avertissements présents dans ce manuel, et pouvant être considérés responsables de leurs actions.

La cloueuse est destinée à enfoncer des clous dans le bois ou autres matériaux tendres similaires à partir d'un magasin contenant une bande de clous adaptés. Les clous pouvant être chargés en toute sécurité dans le magasin du produit sont décrits dans le tableau des caractéristiques de ce manuel. N'utilisez aucun autre type de clous ou de fixation avec la cloueuse. N'utilisez pas le mode de déclenchement par contact lorsque vous travaillez sur un échafaudage, une échelle ou autre plateforme nécessitant un changement de position de travail. Dans ce cas, utilisez uniquement le mode séquentiel total. La cloueuse ne doit pas être utilisée pour la fixation de câbles électriques.

Ne vous servez pas de ce produit pour d'autres utilisations que celles décrites au chapitre des utilisations prévues.

⚠ AVERTISSEMENT

Lisez tous les avertissements de sécurité et toutes les instructions. Le non respect des avertissements et du mode d'emploi peut entraîner un choc électrique, un incendie et/ou de graves blessures.

Conservez tous les avertissements ainsi que le mode d'emploi pour vous-y reporter dans le futur.

AVERTISSEMENTS DE SÉCURITÉ RELATIFS À LA CLOUEUSE

- **Considérez toujours que l'outil contient des agrafes.** Une manipulation inattentive de la cloueuse peut entraîner son déclenchement intempestif, cause de possibles blessures.
 - **Ne faites pas pointer l'outil vers vous-même ou quiconque à proximité.** Une pression involontaire sur la gâchette déclenchera l'éjection d'une agrafe, cause de blessures.
 - **Ne déclenchez pas l'outil s'il n'est pas pressé fermement contre la pièce à fixer.** Si l'outil n'est pas en contact avec la pièce à fixer, l'agrafe risque d'être déviée de sa cible.
 - **Débranchez l'outil de sa source de courant en cas de blocage d'agrafes dans l'outil.** Lors du retrait d'une agrafe coincée, la cloueuse est susceptible d'être déclenchée de façon accidentelle au cas où elle serait branchée.
 - **Soyez prudent lors du retrait d'une agrafe coincée.** Le mécanisme est susceptible d'être sous pression et l'agrafe peut se voir éjectée avec force lors d'une tentative de déblocage.
 - **N'utilisez pas cette cloueuse pour fixer des câbles électriques.** L'outil n'est pas prévu pour la fixation des câbles électriques car leur isolation est susceptible d'être endommagée, entraînant un risque de décharge électrique ou d'incendie.
- ### INSTRUCTIONS DE SÉCURITÉ ADDITIONNELLES
- Soyez toujours conscient qu'une mauvaise utilisation ainsi qu'une mauvaise manipulation de cet outil peuvent causer des blessures à vous et aux autres.
 - Cet outil est conçu pour être utilisé d'une seule main. Le produit ne doit être tenu que par ses poignées d'utilisation. Gardez l'autre main bien à l'écart de la zone de travail et du produit. Ne mettez pas votre tête ou une autre partie du corps près du produit en cours de clouage afin d'éviter toute blessure grave.
 - Assurez-vous toujours que le contact avec la pièce à fixer se trouve bien au dessus du matériau support. Le fait de positionner la pièce à fixer en contact partiel au dessus du matériau support peut faire que le clou rate complètement la pièce, entraînant de graves blessures.
 - Ne clouez pas près du bord du matériau. La pièce à fixer est susceptible de se fendre, entraînant un ricochet du clou, ce qui risque de blesser soit vous soit un collègue. Soyez conscient du fait que le clou est susceptible de suivre les fibres du bois, ce qui peut entraîner son dépassement inattendu par la tranche de la pièce à fixer, cause possible de blessures.
 - Maintenez la pièce avec des serre-joints lorsque cela est nécessaire afin de protéger vos mains et votre corps de tout danger potentiel. Assurez-vous du bon maintien de la pièce à fixer avant de presser la cloueuse contre le support. L'enfoncement du clou est susceptible de faire dévier le support de façon inattendue.
 - Gardez votre visage et votre corps éloignés de l'arrière de l'outil lorsque vous travaillez dans des endroits exigus. Un brusque recul peut entraîner un choc avec votre corps, en particulier lors du clouage de matériaux durs ou denses.
 - En cours d'utilisation normale, l'outil subit un recul immédiatement après l'enfoncement d'une agrafe. Ne tentez pas d'éviter le recul en maintenant la cloueuse contre la pièce. La résistance au recul peut entraîner la libération d'une deuxième agrafe. Saisissez fermement la poignée, laissez l'outil faire le travail et ne placez à aucun moment votre deuxième main sur le dessus de l'outil ou à proximité de la zone de sortie. Le non-respect de cet avertissement pourrait entraîner de graves blessures.



- N'agrafez pas par dessus d'autres agrafes ou en donnant trop d'angle à l'outil, ce qui risquerait de provoquer la déviation des agrafes et de possibles blessures.
- Vérifiez toujours l'éventuelle présence de câbles cachés, tuyaux de gaz ou d'eau, etc. avant d'utiliser le produit.
- Après avoir utilisé le produit en mode par contact, remettez-le en position de fonctionnement séquentiel.
- La profondeur de clouage peut être réglée au-delà de la profondeur requise. Il est recommandé de procéder à un test de la profondeur nécessaire sur une chute de matériau et d'ajuster, au besoin, le réglage de profondeur.
- N'utilisez avec cet outil que des agrafes correspondant au tableau des caractéristiques du produit. L'utilisation d'agrafes inadaptées peut entraîner un blocage ou autres dysfonctionnements.
- Ne sélectionnez pas le mode de déclenchement par contact lorsque vous travaillez sur un échafaudage, une échelle ou autre plateforme nécessitant un changement de position de votre corps. Si le mode de déclenchement par contact était activé, vous pourriez accidentellement déclencher l'éjection d'un clou par mise en contact par inadvertance avec la pièce à clouer tout en vous déplaçant. Lorsque vous changez de position, sélectionnez le mode séquentiel total ou désactivez complètement le produit en en retirant le pack batterie. Vous réduirez ainsi le risque d'infliger des blessures à vous-même ou aux autres.

AVERTISSEMENTS DE SÉCURITÉ RELATIFS AU RÉGLAGE DE PROFONDEUR

- Retirez toujours la batterie avant de manipuler la roue de réglage de profondeur.
- Ne tirez pas sur la roue de réglage de profondeur, elle est conçue pour être tournée.
- N'enfoncez pas la gâchette de déclenchement en cours de réglage de la profondeur.
- Sélectionnez toujours le mode séquentiel total avant de régler la profondeur.
- Ne faites pas pointer l'outil vers vous-même ou quiconque à proximité lors du réglage de profondeur.

MISES EN GARDE DE SÉCURITÉ SUPPLÉMENTAIRES CONCERNANT LA BATTERIE

⚠ AVERTISSEMENT

Pour réduire le risque d'incendie, de blessures corporelles et de dommages cau-sés par un court-circuit, ne jamais immerger l'outil, le bloc-piles ou le chargeur dans un liquide ou laisser couler un fluide à l'intérieur de celui-ci. Les fluides corrosifs ou conducteurs, tels que l'eau de mer, certains produits chim-iques industriels, les produits de blanchiment ou de blanchi-ment, etc., Peuvent provoquer un court-circuit.

TRANSPORT DES BATTERIES AU LITHIUM

Transportez les batteries en conformité avec les dispositions et règlements locaux et nationaux.

Respectez toutes les exigences légales particulières concernant l'emballage et l'étiquetage des batteries lorsque vous confiez leur transport à un tiers. Assurez-vous qu'aucune batterie ne puisse entrer en contact avec une autre batterie ou avec des matériaux conducteurs lors de son transport en isolant les bornes électriques avec du ruban adhésif ou des capuchons isolants. Ne transportez pas une batterie qui serait fendue ou qui fuirait. Demandez conseil au transporteur pour de plus amples informations.

RISQUES RÉSIDUELS

Même lorsque le produit est utilisé selon les prescriptions, il reste impossible d'éliminer totalement certains facteurs de risque résiduels. Les dangers suivants risquent de se présenter en cours d'utilisation et l'utilisateur doit prêter particulièrement garde aux points suivants :

- Atteinte à l'audition
Note: Portez toujours une protection auditive efficace et limitez l'exposition au bruit.
- Blessures aux yeux provoquées par des clous mal enfoncés ou par la projection de poussières et de débris.
Note: Portez toujours une protection oculaire adaptée.
- Blessures dues aux vibrations
Note: Maintenez l'outil par les poignées destinées à cet effet et limitez l'exposition aux vibrations. Voir "Réduction Des Risques".
- Lacérations provoquées par l'entrée en contact avec des éléments pointus.
Note: Redoublez de prudence lorsque vous manipulez ou chargez des clous.
- Le produit est lourd.
Note: Le produit est lourd. Méfiez-vous de la fatigue musculaire lorsque vous utilisez le produit pendant de longues périodes de temps, surtout si vous l'utilisez en hauteur.



RÉDUCTION DES RISQUES

Il a été reporté que les vibrations engendrées par les outils tenus à main peuvent contribuer à l'apparition d'un état appelé le Syndrome de Raynaud chez certaines personnes. Les symptômes peuvent comprendre des fourmillements, un engourdissement et un blanchiment des doigts, généralement par temps froid. Des facteurs héréditaires, l'exposition au froid et à l'humidité, le régime alimentaire, le tabagisme et les habitudes de travail peuvent contribuer au développement de ces symptômes. Certaines mesures peuvent être prises par l'utilisateur pour aider à réduire les effets des vibrations:

- Gardez votre corps au chaud par temps froid. Lorsque vous utilisez l'appareil, portez des gants afin de garder vos mains et vos poignets au chaud. Le temps froid est considéré comme un facteur contribuant très largement à l'apparition du Syndrome de Raynaud.
- Après chaque session de travail, pratiquez des exercices qui favorisent la circulation sanguine.
- Faites des pauses fréquentes. Limitez la quantité d'exposition journalière.

Si vous ressentez l'un des symptômes associés à ce syndrome, arrêtez immédiatement le travail et consultez votre médecin pour lui en faire part.

AVERTISSEMENT

L'utilisation prolongée d'un outil est susceptible de provoquer ou d'aggraver des blessures. Assurez-vous de faire des pauses de façon régulière lorsque vous utilisez tout outil de façon prolongée.

APPRENEZ À CONNAÎTRE VOTRE PRODUIT

Voir la page 105.

1. Sélecteur de mode de déclenchement
2. Interrupteur de l'éclairage à LEDs
3. Poignée d'utilisation, surface de préhension isolée
4. Bouton de réglage de la pression d'air
5. Molette de réglage de la profondeur de clouage
6. Levier de déblocage d'enrayement
7. Déclencheur par contact avec la pièce
8. Fenêtre d'indication de faible niveau en clous
9. Magasin
10. Loquet à glissière de magasin
11. Gâchette de déclenchement de clouage
12. Accroche de ceinture
13. Réceptacle de la batterie

ENTRETIEN

AVERTISSEMENT

Le produit ne doit jamais être branché sur une source de courant lorsque vous-y montez des pièces, lorsque vous effectuez des réglages, lorsque vous le nettoyez, lorsque vous l'entretenez, ou lorsque vous ne l'utilisez pas. Le fait de débrancher le produit évitera toute mise en marche accidentelle susceptible de provoquer de graves blessures.

- N'effectuez les réparations qu'en utilisant des pièces détachées identiques. L'utilisation de toute autre pièce est susceptible de présenter un danger ou d'endommager votre outil.
- Évitez d'utiliser des solvants pour nettoyer les parties en plastique. La plupart des plastiques sont susceptibles d'être endommagés par les solvants disponibles dans le commerce. Utilisez un chiffon propre pour essuyer les impuretés, la poussière, etc.
- Ne laissez jamais du liquide de frein, de l'essence, des produits pétroliers, des huiles pénétrantes, etc. entrer en contact avec les éléments en plastique. Ces produits chimiques contiennent des substances qui peuvent endommager, fragiliser ou détruire le plastique.
- Portez toujours un masque oculaire ou des lunettes de protection à volets latéraux lorsque vous utilisez l'outil électrique ou lorsque vous soufflez de la poussière. Si l'opération génère des poussières, portez également un masque anti-poussières.
- Pour plus de sécurité et de fiabilité, toutes les réparations doivent être effectuées par un service après-vente agréé.

LUBRIFICATION

Tous les roulements de ce produit sont lubrifiés avec une quantité suffisante d'huile de haute qualité pour toute sa durée de vie sous des conditions d'utilisation normales. Par conséquent, aucune lubrification supplémentaire n'est nécessaire.

N'utilisez pas de lubrifiant sur les clous, le magasin, ou le mécanisme d'entraînement. Gardez l'outil propre.

PROTECTION DE L'ENVIRONNEMENT



Recyclez les matières premières au lieu de les jeter avec les ordures ménagères. Pour protéger l'environnement, l'outil, les accessoires et les emballages doivent être triés.



SYMBOLES



Alerte de sécurité



Conformité CE



Marque de qualité EurAsian



Marque de conformité ukrainienne



Lisez le manuel utilisateur.



Éclairage de travail à LED



Réglage de profondeur



Activation séquentielle totale



Déclenchement par contact



Les produits électriques hors d'usage ne doivent pas être jetés avec les ordures ménagères. Recyclez-les par l'intermédiaire des structures disponibles. Contactez les autorités locales pour vous renseigner sur les conditions de recyclage.



Couple maximum



Couple, minimum

Les signaux et mots suivants sont destinés à indiquer le niveau de risque associé au produit :

⚠ DANGER

Imminence d'un danger qui, si l'on n'y prend garde, peut entraîner la mort ou de graves blessures.

⚠ AVERTISSEMENT

Situation potentiellement dangereuse qui, si l'on n'y prend garde, peut entraîner la mort ou des blessures graves.

⚠ ATTENTION

Situation potentiellement dangereuse qui, si l'on n'y prend garde, peut entraîner des blessures moyennes ou légères.

ATTENTION

(Sans symbole de sécurité) Indique une situation pouvant provoquer des dommages matériels.

ICÔNES DE CE MANUEL



Note



Conseil



Éclairage à LED



Pénétration profonde



Pénétration peu profonde



Connectez la batterie



Sicherheit, Leistung und Zuverlässigkeit hatten oberste Priorität bei der Entwicklung Ihres Naglers.

BESTIMMUNGSGEMÄSSE VERWENDUNG

Dieser Nagler ist nur für den Gebrauch durch Erwachsene vorgesehen, die die Bedienungsanleitung gelesen und verstanden haben und als verantwortlich für ihre Taten erachtet werden können.

Der Nagler ist vorgesehen, um Nägel aus einem Magazin mit einem Streifen geeigneter Nägel in Holz oder ähnlich weiches Material einzuschlagen. Die Nägel, die sicher in das Magazin geladen werden können, sind in der Tabelle der technischen Daten in dieser Bedienungsanleitung beschrieben. Verwenden Sie keine andere Arten von Nägeln oder Klammern mit dem Nagler. Nicht im Kontakt-Auslösemodus benutzen, während Sie auf einem Gerüst, einer Leiter oder anderer Plattform arbeiten, und ein Wechsel der Arbeitsposition erforderlich ist. Benutzen Sie in diesem Fall nur den Einzelauslösemodus mit Sicherungsfolge. Der Nagler sollte nicht zur Befestigung von elektrischen Kabeln benutzt werden.

Benutzen Sie das Produkt nicht für andere Aufgaben, als die genannten bestimmungsgemäßen Verwendungen.

⚠ WARNUNG

Lesen Sie alle Warnungen und Anweisungen! Die Nichtbeachtung der Sicherheitshinweise und der Anweisungen kann zu Stromschlag, Feuer und/oder schweren Verletzungen führen.

Bewahren Sie alle Warnhinweise und Anleitungen zum späteren Nachschlagen auf.

NAGLER SICHERHEITSWARNUNGEN

- **Gehen Sie immer davon aus, dass das Elektrowerkzeug Klammern enthält.** Die sorglose Handhabung des Eintreibgeräts kann zu unerwarteten Ausschüssen von Klammern führen und Sie verletzen.
- **Zielen Sie mit dem Elektrowerkzeug nicht auf sich selbst oder andere Personen in der Nähe.** Durch unerwartetes Auslösen wird eine Klammer ausgestoßen, was zu Verletzungen führen kann.
- **Betätigen Sie das Elektrowerkzeug nicht, bevor es fest auf das Werkstück gesetzt ist.** Wenn das Elektrowerkzeug keinen Kontakt mit dem Werkstück hat, kann die Klammer von der Befestigungsstelle abprallen.
- **Trennen Sie das Elektrowerkzeug vom Netz oder vom Akku, wenn die Klammer im Elektrowerkzeug klemmt.** Wenn das Eintreibgerät angeschlossen ist, kann es beim Entfernen einer fest sitzenden Klammer versehentlich betätigt werden.
- **Seien Sie vorsichtig beim Entfernen einer feststehenden Klammer.** Das System kann gespannt sein und die Klammer kräftig ausgestoßen werden, während Sie versuchen die Klemmung zu beseitigen.
- **Verwenden Sie dieses Eintreibgerät nicht zur Befestigung von Elektroleitungen.** Es ist nicht für die Installation von Elektroleitungen geeignet, kann die Isolierung von Kabeln beschädigen und so elektrischen Schlag und Feuergefahren verursachen.
- **Zusätzliche Sicherheitswarnungen**
- Seien Sie sich immer bewusst, dass Missbrauch und falsche Handhabung dieses Werkzeugs zu Verletzungen von Ihnen und anderen Personen führen kann.
- Das Werkzeug ist zur Benutzung mit einer Hand entworfen worden. Das Produkt darf nur an dem Handgriff gehalten werden. Halten Sie die andere Hand fern von dem Arbeitsbereich und dem Produkt. Platzieren Sie Ihren Kopf oder andere Körperteile nicht in der Nähe des Produktes, während Sie Nägel einschlagen, um schwere Verletzungen zu vermeiden.
- Stellen Sie immer sicher, dass die Mündung vollständig über dem Werkstück ist. Wenn die Mündung nur teilweise über dem Werkstück platziert ist, kann die Klammer das Werkstück vollständig verfehlen und zu schweren Verletzungen führen.
- Schießen Sie keine Nägel an der Materialkante ein. Das Werkstück kann sich spalten und der Befestigungsmittel abprallen, und Sie oder einen anderen Arbeiter verletzen. Seien Sie sich bewusst, dass der Befestigungsmittel der Holzmaserung folgen kann und dadurch unversehens aus der Seite des Arbeitsmaterials heraustreten oder umgelenkt werden, und Verletzungen verursachen kann.
- Halten Sie das Werkstück, wenn nötig mit Klemmen fest, um Hände und Körper aus dem Gefahrenbereich zu halten. Stellen Sie sicher, dass das Werkstück gesichert ist, bevor Sie die Klammern gegen das Material drücken. Kontakt mit dem Werkstück kann zu unerwarteter Bewegung des Arbeitsmaterials führen.
- Halten Sie Gesicht und Körperteile von der Rückseite des Werkzeugs fern, wenn Sie in enger Umgebung arbeiten. Plötzlicher Rückschlag kann zu einem Schlag auf den Körper führen, besonders beim Arbeiten in hartem oder dichtem Material.
- Bei normaler Benutzung schlägt das Werkzeug sofort nach dem Einschließen einer Klammer zurück. Versuchen sie nicht den Rückschlag zu verhindern, indem Sie den Tacker gegen das Werkstück halten. Einschränkung des Rückschlags kann dazu führen, dass eine zweite Klammer eingeschossen wird. Halten Sie den Griff fest, lassen Sie das Werkzeug die Arbeit machen und platzieren Sie Ihre zweite Hand niemals auf das Werkzeug oder in die Nähe der Mündung. Die Nichtbeachtung dieser Warnung kann zu schweren Verletzungen führen.
- Schießen Sie keine Klammern über anderen, bereits gesetzten Klammer oder in einem übermäßig steilen



Winkel, weil dadurch Klammern abgelenkt werden und Verletzungen verursachen können.

- Überprüfen Sie immer den Arbeitsbereich auf versteckte Verkabelung, Gasleitungen, Wasserleitungen usw., bevor Sie das Produkt in dem Arbeitsbereich benutzen.
- Schalten Sie das Produkt zurück auf Einzelauslösung, nachdem Sie es mit Kontaktauslösung benutzt haben.
- Die Einschlagtiefe des Nagels kann über die benötigte Tiefe hinaus eingestellt werden. Es ist ratsam die Einschlagtiefe an einem Abfallstück zu testen, um die Tiefe für die Aufgabe zu überprüfen und, wenn notwendig, einzustellen.
- Nur Klammern die der Beschreibung in der Produktspezifikation entsprechen können mit diesem Werkzeug benutzt werden. Benutzung der falschen Klammern kann zu Verklemmen oder anderen Fehlfunktionen führen.
- Wählen Sie nicht den Kontakt-Auslösemodus, wenn Sie auf Gerüsten, Leitern oder Plattformen arbeiten, wo Sie Ihre Körperhaltung vielleicht verändern müssen. Sie könnten unbeabsichtigt durch versehentliches Auslösen des Kontakt-Auslösers einen Nagel abfeuern, während Sie sich bewegen und der Kontakt-Auslösemodus gewählt ist. Wenn Sie die Position ändern, wählen Sie den Einzelauslösemodus mit Sicherungsfolge oder deaktivieren das Produkt vollständig, indem Sie den Akku entnehmen. Das verringert die Gefahr von Verletzungen für Sie und andere.

SICHERHEITSWARNUNGEN TIEFENANSLAGEEINSTELLUNG

- Entfernen Sie immer den Akku, bevor Sie das Stellrad zur Tiefenanschlageinstellung einstellen.
- Ziehen Sie das Einstellrad nicht nach hinten. Das Rad ist für Drehungen vorgesehen.
- Drücken Sie nicht den Abzug während Sie das Stellrad zur Tiefenanschlageinstellung einstellen.
- Wählen Sie immer die Einzelauslösung, bevor sie den Tiefenanschlag einstellen.
- Richten sie das Werkzeug nicht auf sich selbst oder andere, wenn Sie den Tiefenanschlag einstellen.

WEITERE SICHERHEITSHINWEISE ZUM AKKU

WARNUNG

Um die durch einen Kurzschluss verursachte Gefahr eines Brandes, von Verletzungen oder Produktbeschädigungen zu vermeiden, tauchen Sie das Werkzeug, den Wechselakku oder das Ladegerät nicht in Flüssigkeiten ein und sorgen Sie dafür, dass keine Flüssigkeiten in die Geräte und Akkus eindringen. Korrodierende oder leitfähige Flüssigkeiten, wie Salzwasser, bestimmte Chemikalien und Bleichmittel oder Produkte, die Bleichmittel enthalten, können einen Kurzschluss verursachen.

TRANSPORT VON LITHIUM AKKUS

Transportieren Sie den Akku gemäß Ihren örtlichen und nationalen Bestimmungen und Regeln.

Befolgen Sie alle besonderen Anforderungen für Verpackung und Beschriftung, wenn Sie Akkus von Dritten transportieren lassen. Stellen Sie sicher, dass beim Transport kein Akku in Kontakt mit anderen Akkus oder leitenden Materialien kommt, indem Sie die freien Anschlüsse mit Isolierband, nichtleitenden Kappen oder Klebeband schützen. Transportieren Sie keine Akkus die gebrochen oder undicht sind. Befragen Sie Ihre Transportfirma nach weiteren Informationen.

RESTRISIKEN

Sogar wenn das Produkt wie vorgeschrieben benutzt wird, ist es unmöglich ein gewisses Restrisiko vollständig auszuschließen. Die folgenden Gefahren können bei der Benutzung entstehen, und der Benutzer sollte besonders auf folgende Punkte achten:

- Schädigung des Gehörs
Bitte beachten: Tragen Sie immer einen effektiven Gehörschutz und schränken die Lärmbelastung ein.
- Verletzungen der Augen aufgrund falsch eingeschlagener Nägel oder durch Staub und Schmutz.
Bitte beachten: Tragen Sie immer einen geeigneten Augenschutz.
- Durch Vibrationen verursachte Verletzungen.
Bitte beachten: Halten Sie das Werkzeug an den vorgesehenen Griffen und schränken die Vibrationsbelastung ein. Siehe "Risikoverringern".
- Schnittwunden durch Kontakt mit scharfen Spitzen.
Bitte beachten: Seien Sie besonders vorsichtig, wenn Sie Nägel handhaben oder laden.
- Das Produkt ist schwer.
Bitte beachten: Das Produkt ist schwer. Achten Sie auf Muskelermüdung, wenn Sie das Produkt längere Zeit benutzen, besonders, wenn Sie über Kopf arbeiten.

RISIKOVERRINGERUNG

Vibrationen von in der Hand gehaltenen Werkzeugen können bei einigen Personen zu einem Zustand, der Raynaud-Syndrom genannt wird, führen. Symptome sind u.a. Krabbeln, Taubheitsgefühl und episodische Weißfärbung der Finger und treten normalerweise bei Kälte auf. Man geht davon aus, dass ererbte Faktoren, Kälte und Feuchtigkeit, Essgewohnheiten, Rauchen und Arbeitsweise zur Entwicklung dieser Symptome beitragen. Der Anwender kann Maßnahmen ergreifen, um die Auswirkungen der Vibrationen möglicherweise zu verringern:

- Halten Sie den Körper bei Kälte warm. Tragen Sie beim Betrieb des Geräts Handschuhe, um Hände und Handgelenke warm zu halten. Berichten zu Folge





ist kaltes Wetter ein wesentlicher Faktor, der zum Raynaud Syndrom beiträgt.

- Betätigen Sie sich nach jedem Einsatz körperlich, um den Blutkreislauf zu steigern.
- Machen Sie regelmäßige Pausen. Beschränken Sie die Beanspruchung pro Tag.

Sollten bei Ihnen eines der zuvor beschriebenen Symptome / Zustände auftreten, stellen Sie unverzüglich den Betrieb ein und suchen Sie bezüglich der Symptome einen Arzt auf.

⚠️ WARNUNG

Verletzungen können durch lange Benutzung eines Werkzeugs entstehen oder verschlimmert werden. Machen Sie regelmäßig Pause, wenn Sie ein Werkzeug für lange Zeit benutzen.

MACHEN SIE SICH MIT IHREM PRODUKT VERTRAUT

Siehe Seite 105.

1. Wahlschalter für Auslösesystem
2. Schalter LED Leuchte
3. Handgriff, isolierte Grifffläche
4. Einstellknopf für Luftdruck.
5. Einstellrad für Einschlagtiefe
6. Hebel zum Lösen von Blockierungen
7. Werkstück-Kontaktauslöser
8. Sichtfenster für Nagelmagazin
9. Magazin
10. Magazin-Seitenverriegelung
11. Auslöseschalter
12. Gürtelclip
13. Batterieanschluss

WARTUNG UND PFLEGE

⚠️ WARNUNG

Das Produkt sollte niemals an das Stromnetz angeschlossen sein, wenn Sie Teile zusammenbauen, Einstellungen vornehmen, Reinigen, Wartungsarbeiten durchführen, oder wenn das Produkt nicht benutzt wird. Trennen des Produktes vom Stromnetz verhindert ein unbeabsichtigtes Einschalten, das schwere Verletzungen verursachen könnte.

- Verwenden Sie zur Wartung nur Original Ersatzteile. Der Einsatz von anderen Teilen kann eine Gefahr verursachen oder das Produkt beschädigen.
- Vermeiden Sie beim Reinigen der Plastikteile den Einsatz von Lösungsmitteln. Die meisten Kunststoffe können durch im Handel erhältliche Lösungsmittel beschädigt werden. Verwenden Sie einen sauberen

Lappen für die Reinigung von Verschmutzungen, Karbonstaub usw.

- Lassen Sie niemals Bremsflüssigkeiten, Benzine, Produkte auf Erdölbasis, Rostlöser usw. mit den Plastikteilen in Kontakt geraten. Diese chemischen Produkte enthalten Substanzen, die den Kunststoff beschädigen, schwächen oder zerstören können.
- Tragen Sie beim Arbeiten mit motorbetriebenen Werkzeugen oder beim Wegblasen von Staub immer eine Schutzbrille mit Seitenschutz. Tragen Sie außerdem bei staubigen Arbeiten eine Atemschutzmaske.
- Alle Reparaturen sollten zur besseren Sicherheit und Zuverlässigkeit von einem autorisierten Kundendienst durchgeführt werden.

ÖLEN

Alle Lagerelemente in dem Produkt sind mit genug qualitativ hochwertigem Schmiermittel für die gesamte Lebensdauer des Produktes unter normalen Betriebsbedingungen geölt. Es ist daher keine zusätzliche Schmierung erforderlich.

Verwenden Sie keine Schmierstoffe an den Nägeln, dem Nagelmagazin oder dem Nagelmechanismus. Sauber halten.

UMWELTSCHUTZ



Recyceln Sie die Rohstoffe, anstatt sie im Haushaltsabfall zu entsorgen. Zum Schutz der Umwelt müssen das Gerät, die Zubehörteile und die Verpackungen getrennt entsorgt werden.

SYMBOLS



Sicherheitswarnung



CE Konformität



EurAsian Konformitätszeichen



Ukrainisches Prüfzeichen



lesen Sie die Bedienungsanleitung



LED Arbeitslicht



Tiefenanschlagesstellung



Einzelauslösung



Kontaktauslösung



Elektrische Geräte sollten nicht mit dem übrigen Müll entsorgt werden. Bitte entsorgen Sie diese an den entsprechenden Entsorgungsstellen. Wenden Sie sich an die örtliche Behörde oder Ihren Händler, um Auskunft über die Entsorgung zu erhalten.

ACHTUNG

(Ohne Warnsymbol) weist auf eine Situation hin, die zu Sachschaden führen kann.

SYMBOL IN DIESER BEDIENUNGSANLEITUNG



Bitte beachten



Tipp



LED Beleuchtung



Tiefes Eindringen



Flaches Eindringen



Akku anschließen



Größtes Drehmoment



Mindest-Drehmoment

Mit den folgenden Symbolen wird die Bedeutung der verschiedenen Risikostufen, die mit dem Produkt einhergehen, dargestellt.

GEFAHR

Bezeichnet eine unmittelbare Gefahrensituation, die, falls nicht vermieden, zum Tode oder schweren Verletzungen führen kann.

WARNUNG

Bezeichnet eine mögliche Gefahrensituation, die, falls nicht vermieden, zum Tode oder schweren Verletzungen führen kann.

ACHTUNG

Bezeichnet eine mögliche Gefahrensituation, die, falls nicht vermieden, zu kleineren und mittleren Verletzungen führen kann.



Seguridad, desempeño y fiabilidad han sido las prioridades en el diseño de su pistola de clavos.

USO PREVISTO

Esta clavadora está diseñada para ser utilizada por adultos que hayan leído y comprendido las instrucciones y advertencias recogidas en este manual y que puedan ser considerados responsables de sus acciones.

La clavadora está diseñada para clavar clavos en madera o materiales blandos similares a partir de un cargador que contenga una tira de clavos adecuados. Los clavos que pueden cargarse en el cargador de forma segura para el producto se describen en la tabla de especificaciones del producto de este manual. No utilice ningún otro tipo de clavo o fijación con la clavadora. No utilizar en modo de funcionamiento por contacto mientras trabaje sobre andamios, escaleras u otro tipo de plataformas donde sea necesario cambiar la posición de trabajo. En este caso, utilice solo el modo totalmente secuencial. No utilice la clavadora para fijar cables eléctricos.

Utilice el producto exclusivamente para el uso para el que fue diseñado.

⚠ ADVERTENCIA

Lea todas las instrucciones y advertencias de seguridad. No seguir las advertencias e instrucciones correctamente puede provocar descargas eléctricas, incendios y/o daños graves.

Guarde todas estas advertencias e instrucciones para futuras referencias.

AVISOS DE SEGURIDAD DE LA CLAVADORA

- **Parta siempre del supuesto de que la herramienta contiene clavos.** Un manejo descuidado de la clavadora puede dar lugar a un disparo accidental de clavos y, como consecuencia, a lesiones físicas.
- **No apunte la herramienta hacia sí mismo ni hacia otras personas que estén en las inmediaciones.** Un disparo inesperado lanzará un clavo causando una lesión.
- **No dispare la herramienta sin haberla colocado con firmeza contra la pieza de trabajo.** Si la herramienta no está en contacto con la pieza de trabajo, el clavo puede desviarse de su objetivo.
- **Desconecte la herramienta de la fuente de alimentación siempre que los clavos se atasquen en la misma.** Al retirar un clavo atascado, la herramienta puede activarse accidentalmente si está enchufada.
- **Tenga cuidado cuando retire un clavo atascado.** El mecanismo puede quedar con una compresión baja y la clavadora puede descargarse forzosamente mientras intenta desbloquear un atasco.

- **No utilice esta herramienta para fijar clavos eléctricos.** La herramienta no ha sido diseñada para la instalación de cables eléctricos y puede dañar el aislamiento de los mismos, provocando descargas eléctricas o riesgo de incendios.

AVISOS DE SEGURIDAD ADICIONALES

- Tenga siempre presente que el mal uso y el manejo inadecuado de esta herramienta puede ocasionar daños a sí mismo y a otros.
- La herramienta está diseñada para usarse solo con una mano. Sujete el producto por la empuñadura. Mantenga la otra mano alejada del área de trabajo y el producto. No coloque la cabeza ni otras partes del cuerpo cerca del producto mientras esté clavando clavos para evitar lesiones personales graves.
- Asegúrese siempre de que el contacto de la pieza de trabajo está totalmente colocado por encima del material que desea fijar. Colocar la pieza de trabajo parcialmente por encima del material a fijar podría causar que el clavo no sujete el material y provocar lesiones personales graves.
- No coloque clavos cerca del borde del material. La pieza de trabajo puede partirse haciendo que el clavo rebote e hiriéndolo a usted o a su compañero de trabajo. Tenga en cuenta que el clavo puede seguir la textura de la madera dando lugar a saltos inesperados del material de trabajo o desvíos, con la posibilidad de causar lesiones.
- Fije a pieza de trabajo con pinzas cuando sea necesario para mantener el cuerpo y las manos a salvo de posibles lesiones. Asegúrese de que el material que desea fijar está bien sujeto antes de presionar el contacto de la pieza contra el material. Clavar el clavo puede hacer que el material se gire inesperadamente.
- Mantenga la cara y el cuerpo apartados de la parte trasera de la tapa de la herramienta cuando trabaje en zonas restringidas. El retrogolpe súbito puede dar lugar a un impacto en el cuerpo, especialmente cuando se está claveteando en un material duro o denso.
- Durante el uso normal la herramienta retrocederá inmediatamente después de clavar un clavo. No intente evitar el retrogolpe sujetando la clavadora contra la pieza de trabajo. La restricción del retrogolpe puede dar lugar al disparo de un segundo clavo. Sujete firmemente el mango, deje la herramienta trabajar y no coloque la otra mano encima de la herramienta ni junto al escape bajo ninguna circunstancia. No prestar atención a esta advertencia podría causar daños personales.
- No coloque clavos encima de otros clavos ni con la herramienta en un ángulo demasiado inclinado porque esto puede hacer que los clavos se desvíen causando lesiones.



- Antes de usar el aparato en un área de trabajo verifique siempre si hay cables, conductos de gas, conductos de agua, etc. escondidos.
- Tras haber utilizado el aparato en el modo de operación por contacto, vuelva a ponerlo en el modo íntegramente secuencial.
- La profundidad a la que se clava el clavo puede ajustarse más allá de la profundidad necesaria. Es recomendable comprobar la profundidad a la que va a clavarse el clavo en un trozo de material inservible para determinar y ajustar, si es necesario, la profundidad de la aplicación.
- Con esta herramienta solo pueden usarse clavos que correspondan a la descripción del cuadro de especificaciones del producto. El uso de clavos incorrectos puede provocar un atasco y otras averías.
- No seleccione el modo de funcionamiento por contacto cuando trabaje sobre andamios, escaleras o plataformas donde pueda ser necesario cambiar de postura. Puede disparar involuntariamente un clavo por activación accidental del contacto de la pieza de trabajo mientras se mueve si está seleccionado el modo de funcionamiento por contacto. Al cambiar de posición, seleccione la activación totalmente secuencial o desactive completamente el producto retirando la batería. Esto reducirá la posibilidad de provocarse lesiones a usted mismo o a otros.

AVISOS DE SEGURIDAD RELATIVOS AL AJUSTE DE LA PROFUNDIDAD

- Retire siempre la batería antes de ajustar la profundidad de la rueda motriz.
- No tire de la rueda de ajuste, esta está diseñada para girar.
- No presione el gatillo mientras está ajustando la profundidad de la rueda motriz.
- Seleccione siempre el modo secuencial antes de ajustar la profundidad de la perforación.
- No apunte la herramienta hacia sí mismo ni hacia otra persona cuando esté ajustando la profundidad de perforación.

ADVERTENCIAS DE SEGURIDAD DE LA BATERÍA ADICIONAL

ADVERTENCIA

Para reducir el riesgo de incendio, lesión personales y daños al producto debido a un cortocircuito, no sumerja nunca la herramienta, el paquete de baterías o el cargador en líquido ni permita que fluya un fluido dentro de ellos. Los fluidos corrosivos o conductivos, como el agua de mar, ciertos productos químicos industriales y blanqueadores o lejías que contienen, etc., Pueden causar un cortocircuito.

TRANSPORTE DE BATERÍAS DE LITIO

Transporte la batería de conformidad con las disposiciones y las normativas locales y nacionales.

Cuando las baterías sean transportadas por un tercero, cumpla los requisitos especiales relativos al embalaje y etiquetado. Asegúrese de que ninguna batería entra en contacto con otra batería o con materiales conductores durante el transporte, proteja los conectores expuestos con tapones o tapas aislantes no conductoras. No transporte baterías con fisuras o fugas. Para más asesoramiento, póngase en contacto con la empresa de distribución.

RIESGOS RESIDUALES

Incluso cuando se utiliza el producto según las instrucciones, sigue siendo imposible eliminar por completo ciertos factores de riesgo residuales. Pueden surgir los siguientes riesgos durante el uso y el operador debe prestar especial atención para evitar lo siguiente:

- Lesiones auditivas
Nota: Use siempre protección auditiva eficaz y limite el tiempo de exposición al ruido.
- Lesiones oculares causadas por clavos mal clavados o polvo y escombros.
Nota: Use siempre protección ocular adecuada.
- Lesiones por vibración
Nota: Sujete la herramienta mediante los correspondientes mangos y limite su exposición a la vibración. Consulte el apartado "Reducción De Riesgos".
- Laceraciones causadas por el contacto con puntas afiladas.
Nota: Tenga mucho cuidado al manipular o cargar los clavos.
- El producto es pesado.
Nota: El producto es pesado. Tenga cuidado con la tensión muscular durante el uso del producto durante periodos prolongados, especialmente si se utiliza por encima de la cabeza.

REDUCCIÓN DEL RIESGO

Se ha informado de que las vibraciones de las herramientas manuales pueden contribuir a una enfermedad llamada síndrome de Raynaud en ciertos individuos. Los síntomas pueden incluir hormigueo, entorpecimiento y decoloración de los dedos, generalmente aparentes cuando tiene lugar una exposición al frío. Se considera que los factores hereditarios, exposición al frío y a la humedad, dieta, tabaquismo y prácticas de trabajo contribuyen al desarrollo de estos síntomas. Existen medidas que pueden ser tomadas por el operador para reducir los efectos de vibración:

- Mantenga su cuerpo caliente durante el tiempo frío.





Al manipular la unidad, utilice guantes para mantener las manos y las muñecas calientes. Hay informes que indican que el tiempo frío es un gran factor que contribuye al síndrome de Raynaud.

- Después de cada período de funcionamiento, realice ejercicios para aumentar la circulación sanguínea.
- Haga pausas de trabajo frecuentes. Limite la cantidad de exposición por día.

Si siente alguno de los síntomas de esta enfermedad, interrumpa inmediatamente el uso y consulte a su médico estos síntomas.

ADVERTENCIA

El uso prolongado de la herramienta puede provocar o agravar lesiones. Al utilizar cualquier herramienta durante períodos prolongados asegúrese de tomar descansos regulares.

CONOZCA EL PRODUCTO

Consulte la página 105.

1. Selector de modo de disparo
2. Gatillo luces LED
3. Empuñadura, superficie de agarre aislada
4. Perilla de ajuste de presión del aire
5. Rueda de ajuste de profundidad del clavo
6. Palanca de liberación de bloqueo
7. Activador de contacto de la pieza de trabajo
8. Visor indicador bajo nivel de clavos
9. Cargador
10. Retén de corredera del cargador
11. Gatillo de accionamiento del disparo
12. Pinza para cinturón
13. Puerto de la batería

MANTENIMIENTO

ADVERTENCIA

El aparato nunca debe estar conectado a una fuente eléctrica mientras se estén montando las piezas, realizando ajustes, limpiando, llevando a cabo el mantenimiento o cuando no esté en uso. Apagar el aparato evitará que se ponga en marcha accidentalmente y cause lesiones graves.

- Utilice solo piezas de recambio idénticas cuando esté realizando labores de mantenimiento de la máquina. El uso de otras piezas puede ocasionar riesgos o daños en el producto.
- Evite el uso de disolventes para limpiar las piezas de plástico. La mayor parte de los plásticos pueden resultar dañados con los disolventes que se venden en el mercado. Utilice un paño limpio para quitar las

impurezas, el polvo, etc.

- No permita en ningún momento que las piezas de plástico entren en contacto con líquido de frenos, gasolina, productos derivados del petróleo, aceites penetrantes, etc. Estos productos químicos contienen sustancias que pueden deteriorar, debilitar o destruir el plástico.
- Siempre use gafas de seguridad o gafas de seguridad con protección lateral durante el funcionamiento de la herramienta eléctrica o cuando ésta desprenda polvo. Si la superficie de trabajo es polvorienta, use también una careta específica.
- Para una mayor seguridad y fiabilidad, todas las reparaciones deben ser realizadas por un centro de servicio autorizado.

LUBRICACIÓN

Todos los cojinetes de este producto están lubricados con una cantidad suficiente de lubricante de alta calidad para la vida del producto en condiciones normales de funcionamiento. Por lo tanto, no es menester prever ninguna lubricación adicional.

No use lubricantes en los clavos, en el cartucho de clavos ni en el mecanismo de perforación. Manténgala limpia.

PROTECCIÓN DEL MEDIO AMBIENTE



Recicle las materias primas en lugar de tirarlas a la basura doméstica. Para proteger el medio ambiente, debe separar la herramienta, los accesorios y los embalajes.

SÍMBOLOS



Alerta de seguridad



Conformidad CE



Certificado EAC de conformidad



Marca de conformidad ucraniana



Lea el manual del usuario



Luzes de funcionamiento LED



Ajuste de profundidad



Operación totalmente secuencial



Operación por contacto



Los productos eléctricos de desperdicio no deben desecharse con desperdicios caseros. Por favor recíclelos donde existan dichas instalaciones.

Compruebe con su autoridad local o minorista para reciclar.

ICONO DE ESTE MANUAL



Nota



Consejo



Luz LED



Penetración profunda



Penetración superficial



Conectar la batería



Torsión, máxima



Par mínimo

Los siguientes símbolos y palabras detallan los niveles de cuidado necesarios para usar este producto.

PELIGRO

Indica una situación inminente de peligro que, si no se evita, provocará la muerte o lesiones graves.

ADVERTENCIA

Indica una situación potencialmente peligrosa que, si no se evita, podría causar la muerte o lesiones graves.

PRECAUCIÓN

Indica una situación potencialmente peligrosa que, si no se evita, puede provocar lesiones leves o moderadas.

PRECAUCIÓN

(Sin símbolo de seguridad) Indica una situación que podría ocasionar daños materiales.



E' stata data massima priorità alla sicurezza, alle prestazioni e affidabilità nel design di questa chiodatrice.

UTILIZZO

Questa chiodatrice è adatta per essere utilizzata da adulti che hanno letto e compreso le istruzioni e gli avvertimenti nel presente manuale e che possono quindi essere considerati responsabili delle loro azioni.

Questa chiodatrice è progettata per sparare chiodi nel legno e in materiali morbidi simili grazie ad un caricatore contenente una serie di chiodi adatti a tale scopo. I chiodi idonei ad essere inseriti con sicurezza nel caricatore del prodotto sono descritti nella tabella delle specifiche del prodotto nel presente manuale. Non utilizzare alcun altro tipo di chiodi o dispositivi di fissaggio con la chiodatrice. Non mettere in funzione nella modalità di attivazione al contatto mentre si lavora su scale, scaffalature o altre piattaforme ove si richiede un cambio di posizione. Utilizzare solo la modalità sequenziale completa in questo caso. La chiodatrice non deve essere utilizzata per fissare cavi elettrici.

Non utilizzare il prodotto in modi diversi da quelli indicati.

⚠ AVVERTENZE

Leggere tutti gli avvertimenti e le istruzioni di sicurezza. La mancata osservanza delle avvertenze e delle istruzioni potrà causare scosse elettriche, incendi e/o gravi lesioni personali.

Conservare tutte le istruzioni e le avvertenze per eventuali riferimenti futuri.

AVVERTIMENTI DI SICUREZZA CHIODATRICE

- **Ricordare sempre che il dispositivo contiene chiodi.** Utilizzare la chiodatrice senza cura potrà risultare in lancio casuale di chiodi e lesioni personali
- **Non puntare verso sé stessi o verso eventuali terzi.** Premere inaspettatamente il grilletto farà scaricare dei chiodi causando lesioni.
- **Non attivare l'utensile a meno che non sia posizionato saldamente contro il pezzo sul quale si sta lavorando.** Se l'utensile non entra in contatto con il pezzo sul quale si sta lavorando, i chiodi potranno spostarsi dall'obiettivo.
- **Scollegare l'utensile dall'alimentazione quando i chiodi si bloccano all'interno dello stesso.** Quando si rimuove un chiodo bloccato la chiodatrice potrà accidentalmente attivarsi se è collegata all'alimentazione.
- **Fare attenzione quando si rimuovere un chiodo incastrato.** Il meccanismo potrà essere sotto pressione e i chiodi potranno essere scaricati con forza mentre si tenta di liberare parti bloccate.
- **Non utilizzare questa chiodatrice per assicurare cavi elettrici.** Non progettato per installare cavi elettrici dal momento che potrà danneggiare l'isolamento dei cavi elettrici causando scosse elettriche o rischi di incendio
- **ULTERIORI AVVERTENZE DI SICUREZZA**
 - Ricordare sempre che un utilizzo errato dell'utensile potrà causare lesioni a se stessi e agli altri.
 - Utensile progettato per utilizzo con una sola mano. Tenere il prodotto reggendolo dal manico. Tenere l'altra mano lontana dall'area di lavoro. Non posizionare la testa o altre parti del corpo accanto al prodotto durante le operazioni di lavoro per evitare gravi lesioni alla persona.
 - Assicurarsi sempre che il punto di contatto avvenga al di sopra del materiale da inchiodare assieme. Posizionare il punto di contatto parzialmente al di sopra del materiale da inchiodare assieme potrebbe far perdere al chiodo la presa del materiale e causare gravi lesioni personali.
 - Non spingere i chiodi sull'orlo del materiale. Il pezzo sul quale si sta lavorando potrà causare un rimbalzo del chiodo ferendo l'operatore o un suo collaboratore. Ricordare sempre che il chiodo può seguire le venature del legno e protrudere in maniera inaspettata dal lato del materiale di lavoro piegandosi e causando gravi lesioni.
 - Tenere fermo il pezzo sul quale si sta lavorando con morsetti se necessario per tenere le mani e il corpo lontani da eventuali rischi. Assicurarsi che il materiale da fissare assieme sia correttamente assicurato prima di premere il pezzo sul quale si sta lavorando contro il materiale. L'inserimento del chiodo potrà far spostare inaspettatamente il materiale.
 - Tenere viso e parti del corpo lontani dal coperchio dell'utensile quando si lavora in zone limitate. L'eventuale rimbalzo improvviso potrà causare un impatto con il corpo soprattutto quando si inseriscono chiodi in materiali duri o densi.
 - Durante il normale utilizzo l'utensile potrà scattare indietro dopo aver sparato un chiodo. Non tentare di prevenire eventuali rimbalzi reggendo la chiodatrice contro il pezzo sul quale si sta lavorando. Eventuali restrizioni al rimbalzo potranno far scattare un secondo chiodo dalla chiodatrice. Reggere il manico in modo saldo, lasciare che l'utensile svolga il suo lavoro e non posizionare l'altra mano sulla parte superiore dell'utensile o accanto allo scarico. La mancata osservanza di questo avvertimento potrà causare gravi lesioni alla persona.
 - Non inserire chiodi sopra altri chiodi né inserirli reggendo l'utensile ad angolo dal momento che tale operazione farà piegare i chiodi causando lesioni all'operatore.



- Controllare sempre l'area di lavoro individuando cavi nascosti, tubi del gas o dell'acqua ecc, prima di utilizzare il prodotto in queste aree.
- Dopo aver utilizzato il prodotto nella modalità contatto, riportare l'interruttore sulla modalità sequenziale.
- La profondità di inserimento del chiodo potrà essere regolata a seconda della profondità richiesta. Si consiglia di controllare la profondità di inserimento chiodo su materiale di scarto per determinare e regolare, se necessario, la profondità dell'applicazione.
- Utilizzare con questo utensile solo chiodi che corrispondano alla descrizione nelle specifiche del prodotto. Utilizzare chiodi non regolari potrà causare blocchi o malfunzionamenti.
- Non selezionare la modalità di attivazione al contatto quando si lavora su impalcature, scale o piattaforme o quando si deve spostare la posizione del corpo. Si potrebbe non intenzionalmente sparare un chiodo entrando in contatto con il pezzo sul quale si sta lavorando mentre ci si sposta o muove nel caso in cui la modalità di attivazione al contatto sia stata selezionata. Quando si cambia posizione selezionare l'attivazione sequenziale completa o disattivare il prodotto completamente rimuovendo la batteria. Ciò ridurrà la possibilità di lesioni per sé stessi e per gli altri.

AVVERTENZE DI SICUREZZA REGOLAZIONE DI PROFONDITÀ

- Rimuovere sempre la batteria prima di regolare la profondità della ruota di trazione.
- Non tirare indietro la ruota di regolazione, è progettata per essere ruotata.
- Non premere il grilletto mentre si regola la profondità della ruota di trazione.
- Selezionare la modalità sequenziale prima di regolare la profondità di trazione.
- Non puntare l'utensile verso sé stessi o verso eventuali osservatori quando si regola la profondità della trazione.

AVVERTENZE AGGIUNTIVE PER LA SICUREZZA DELLA BATTERIA

⚠ AVVERTENZE

Per ridurre il rischio d'incendio, di lesioni o di danni al prodotto causati da corto circuito, non immergere mai l'utensile, la batteria ricaricabile o il carica batterie in un liquido e non lasciare mai penetrare alcun liquido all'interno dei dispositivi e delle batterie. I fluidi corrosivi o conduttori come acqua salata, alcuni agenti chimici, agenti candeggianti o prodotti contenenti agenti candeggianti potrebbero provocare un corto circuito.

TRASPORTARE BATTERIE AL LITIO

Trasportare la batteria secondo quanto indicato dalle norme e regolamentazioni locali e nazionali.

Seguire tutte le istruzioni speciali riportate sulla scatola e sull'etichetta quando si fanno trasportare batterie da eventuali terzi. Assicurarsi che le batterie non entrino in contatto con altre batterie o materiali conduttivi durante il trasporto proteggendo i connettori esposti con tappi isolanti, non conduttivi o nastro adesivo. Non trasportare batterie rotte o che perdono liquidi. Rivolgersi alla ditta distributrice per ulteriori consigli.

RISCHI RESIDUI

Anche quando il prodotto viene utilizzato come indicato, sarà ancora impossibile eliminare completamente alcuni fattori di rischio residuo. Si potranno verificare i seguenti rischi e l'operatore dovrà prestare particolare attenzione per evitare quanto segue:

- **Danni all'udito**
Note: Indossare sempre efficaci cuffie di protezione e limitare l'esposizione al rumore.
- Si potrebbero riportare lesioni agli occhi inserendo chiodi in maniera incorretta o disperdendo polvere e macerie.
Note: Indossare sempre una adeguata protezione per occhi.
- **Lesioni causate da vibrazioni**
Note: Reggere l'utensile dai manici indicati e limitare l'esposizione alle vibrazioni. Vedere "Riduzione Rischio".
- **Eventuali lacerazioni causate dal contatto con punte affilate.**
Note: Fare la massima attenzione quando si caricano o manipolano chiodi.
- **Il prodotto è pesante.**
Note: Il prodotto è pesante. Fare attenzione ad eventuali strappi muscolari quando si mette in funzione il prodotto per periodi di tempo lunghi, soprattutto quando lo si utilizza per lavori sospesi al di sopra della testa.

RIDUZIONE DEL RISCHIO

E' stato fatto presente che le vibrazioni da utensili a mano potrebbero contribuire a una condizione chiamata Sindrome di Raynaud in alcuni individui. I sintomi, comprendenti formicolio, intorpidimento e perdita di colore alle dita, si verificano di solito quando ci si espone al freddo. Fattori ereditari, esposizione a freddo e umidità, una dieta scorretta, fumo e condizioni di lavoro non sicure potranno contribuire allo sviluppo di questi sintomi. È possibile prendere delle precauzioni per ridurre le vibrazioni:

- Tenere il corpo al caldo a basse temperature. Quando si utilizza l'utensile, indossare guanti e tenere le mani



e i polsi caldi. Le basse temperature contribuiscono a causare la Sindrome di Raynaud.

- Dopo aver utilizzato l'utensile per un certo periodo, fare degli esercizi per stimolare la circolazione del sangue.
- Fare spesso delle pause. Limitare la quantità di esposizione giornaliera.

Nel caso in cui si provino i sintomi di questa condizione, interrompere immediatamente l'utilizzo dell'utensile e consultare un dottore.

AVVERTENZE

L'utilizzo prolungato dell'utensile potrà causare o aggravare lesioni già esistenti. Quando si utilizza questo utensile per periodi di tempo prolungati, assicurarsi di fare sempre delle pause regolari.

FAMILIARIZZARE CON IL PRODOTTO

Vedere a pagina 105.

1. Selettore modalità di attivazione
2. Pulsante di attivazione luce LED
3. Maniglia con superficie isolata antiscivolo
4. Manopola di regolazione pressione dell'aria
5. Ruota di regolazione profondità chiodo
6. Leva di rilascio blocco
7. Attivatore di contatto con il pezzo sul quale si sta lavorando
8. Finestra di indicatore chiodo basso
9. Caricatore
10. Linguetta scorrevole caricatore
11. Pulsante di attivazione inserimento chiodi
12. Gancio per cinghia
13. Porta batterie

MANUTENZIONE

AVVERTENZE

Questo prodotto non dovrà mai essere collegato all'alimentazione mentre si montano le sue parti, svolgono regolazioni, operazioni di pulizia e manutenzione o quando il prodotto non viene utilizzato. Scollegare il prodotto per prevenire l'avvio accidentale che potrà causare gravi lesioni.

- Quando si svolgono operazioni di manutenzione, utilizzare solo ricambi identici. Utilizzare parti di ricambio diverse potrebbe causare rischi o danneggiare il prodotto.
- Evitare di utilizzare solventi quando si puliscono le parti in plastica. La maggior parte dei materiali plastici rischia di essere danneggiata dall'uso dei solventi disponibili in commercio. Utilizzare un panno pulito per rimuovere lo sporco, la polvere, ecc.

- Non lasciare che liquidi per freni, benzina, prodotti a base di petrolio, oli penetranti, ecc. entrino in contatto con le parti in plastica. Tali prodotti chimici contengono sostanze che possono danneggiare, indebolire o distruggere la plastica.
- Indossare sempre occhiali di sicurezza o occhiali di sicurezza con schermi laterali durante le operazioni con l'elettrodotto o quando si aspira della polvere. Nel caso in cui si preveda che le operazioni di lavoro causeranno polvere, indossare sempre una maschera anti-polvere.
- Per maggiore sicurezza e affidabilità, tutte le riparazioni dovranno essere svolte da un centro servizi autorizzato.

LUBRIFICAZIONE

Tutti i cuscinetti in questo prodotto sono stati lubrificati con una quantità di lubrificante ad alto indice di viscosità per tutta la durata del prodotto nelle normali condizioni di funzionamento. Di conseguenza, non è necessario effettuare alcuna lubrificazione supplementare.

Non utilizzare lubrificanti su chiodi, caricatori o sul meccanismo di trazione. Tenere pulito.

TUTELA DELL'AMBIENTE



Riciclare le materie prime anziché gettarle tra i rifiuti domestici. Per tutelare l'ambiente, l'apparecchio, gli accessori e gli imballaggi devono essere smaltiti separatamente.

SIMBOLI



Indicazioni sicurezza



Conformità CE



Marchio di conformità EurAsian



Marchio di conformità ucraino



Leggere il manuale dell'operatore



Luci di funzionamento al LED



Regolazione di profondità



Attivazione sequenziale



Attivazione per contatto



I prodotti elettrici non devono essere smaltiti con i rifiuti domestici. Vi sono strutture per smaltire tali prodotti. Informarsi presso il proprio Comune o rivenditore di sicurezza per smaltire adeguatamente tali rifiuti.

ICONA IN QUESTO MANUALE



Note



Punta



Luce al LED



Penetrazione in profondità



Penetrazione superficiale



Collegare la batteria



Torsione, massima



Coppia minime

I seguenti simboli indicano i livelli di rischio associati a questo prodotto.

PERICOLO

Indica una situazione immediatamente pericolosa che, se non evitata, potrà causare gravi lesioni o morte.

AVVERTENZE

Indica una situazione potenzialmente pericolosa che, se non evitata potrà causare gravi lesioni o morte.

ATTENZIONE

Indica una situazione potenzialmente pericolosa che, se non evitata, potrà causare lesioni minori o moderate.

ATTENZIONE

(Senza simbolo di allarme in materia di sicurezza) Indica una situazione che può provocare danni materiali.



Veiligheid, prestaties en betrouwbaarheid kregen topprioriteit in het ontwerp van uw tacker.

BEOOGD GEBRUIK

Deze tacker is uitsluitend geschikt om te worden gebruikt door volwassenen die de instructies en waarschuwingen in deze gebruiksaanwijzing hebben gelezen en begrepen en die als verantwoordelijk voor hun handelingen kunnen worden beschouwd.

De tacker is bedoeld voor het inslaan van nietjes in hout of gelijkaardige zachte materialen uit een magazijn met een strip geschikte nietjes. De nietjes die veilig in het magazijn voor het product kunnen worden geladen, worden beschreven in de productspecificatietabel in deze gebruiksaanwijzing. Gebruik geen ander type nietjes of hechtmateriaal met deze tacker. Gebruik de machine niet in de contactactiveringsmodus terwijl u op een stelling, ladder of ander platform werkt waar een verandering in de werkpositie is vereist. Gebruik in dit geval uitsluitend de volledige sequentiële modus. De tacker mag niet worden gebruikt om elektrische kabels vast te maken.

Gebruik het product niet voor andere doeleinden dan waarvoor het is bestemd.

⚠ WAARSCHUWING

Lees alle veiligheidswaarschuwingen en instructies. Wanneer u deze en en instructies niet opvolgt, kan dit leiden tot electrocutie, brand en/of ernstige letstels.

Bewaar alle waarschuwingen en instructies voor toekomstig gebruik.

VEILIGHEIDSWAARSCHUWINGEN NAGELPISTOOL

- **Ga er altijd vanuit dat het apparaat nagels bevat.** Onvoorzichtig hanteren van het nagelpistool kan resulteren in onverwacht afvuren van nagels en persoonlijk letsel.
- **Het apparaat niet naar jezelf of andere personen in de buurt wijzen.** Door een onverwacht aanraken van de trigger zal er een nagel worden afgevuurd en dit kan letsel veroorzaken.
- **Het apparaat niet inschakelen, tenzij het stevig tegen het werkstuk is geplaatst.** Als het apparaat niet in contact staat met het werkstuk, kan de nagel een andere weg volgen dan uw doel is.
- **Ontkoppel het apparaat van de netvoeding als de nagel in het apparaat vast komt te zitten.** Terwijl u een geklemd nietje verwijderd, kan de nietjesmachine ongewild geactiveerd worden indien deze met de contactdoos is verbonden.
- **Wees voorzichtig bij het verhelpen van een vastgelopen nagel.** Het mechanisme kan onder druk staan en de nagel kan met kracht worden afgevuurd bij

het proberen te verhelpen van een vastgelopen nagel.

- **Dit nagelpistool niet gebruiken om elektrische kabels vast te zetten.** Het is niet bedoeld voor de installatie van elektrische bekabeling en kan de isolatie van de elektrische kabels beschadigen en daarmee elektrische schokken of brandgevaar veroorzaken.
- Aanvullende veiligheidswaarschuwingen
- Denk er altijd aan dat misbruik en het onjuist behandelen van dit werktuig letstels bij uzelf en anderen kan veroorzaken.
- Het apparaat is bedoeld voor gebruik met één hand. Het product mag uitsluitend aan de handgreep worden vastgehouden. Houd de andere hand weg van het werkbereik en product. Plaats uw hoofd of andere lichaamsdelen niet in de buurt van het product terwijl u nietjes indrijft om ernstige verwondingen te vermijden.
- Zorg er altijd voor dat het werkstukcontact volledig gepositioneerd is boven het materiaal dat moet worden vastgehecht. Als het werkstukcontact maar gedeeltelijk boven het materiaal dat moet worden vastgemaakt, kan worden gepositioneerd, kan dit ertoe leiden dat het nietje het materiaal volledig mist, wat kan leiden tot ernstige verwondingen.
- Geen nagels aan de rand van het materiaal bevestigen. Het werkstuk kan splijten, waardoor de nagel schampt en daarmee u of een collega verwond. Let erop dat de nagel de houtnerf kan volgen, waardoor het onverwacht aan de zijkant van het werk materiaal naar buiten kan komen of kan afwijken, met mogelijk letsel als gevolg.
- Houd het werkstuk zo nodig vast met klemmen om geen letsel te krijgen aan handen en lichaam. Zorg ervoor dat het materiaal dat moet worden vastgehecht, stevig is vastgemaakt voor u het werkstukcontact tegen het materiaal drukt. Het indrijven van nietjes kan ertoe leiden dat het materiaal onverwachts verschuift.
- Zorg dat het gezicht en het lichaam uit de buurt blijven van de achterzijde van het apparaatkapje tijdens het werken in kleine ruimten. Een plotseling terugtrekken kan leiden tot een impact op het lichaam, met name als er nagels in hard of dicht materiaal geplaatst worden.
- Bij normaal gebruik zal het apparaat direct terugtrekken na het afvuren van een nagel. Niet proberen om de terugslag te voorkomen door het nagelpistool tegen het werk te houden. Beperking van het terugtrekken kan ertoe leiden dat er een tweede nagel uit het apparaat komt. Pak het handvat goed vast, laat het apparaat het werk doen en plaats nooit een tweede hand op het apparaat of in de buurt van de uitlaat. Het niet naleven van deze waarschuwing kan resulteren in ernstig persoonlijk letsel.
- Geen bevestigingsmateriaal boven op andere bevestigingsmaterialen plaatsen of in een overdreven scherpe hoek plaatsen, omdat hierdoor de nagels kunnen afwijken en letsel kunnen veroorzaken.



- Controleer altijd de werkomgeving op verborgen bedrading, gasleidingen, waterleidingen, enz. voordat het product in het gebied wordt gebruikt.
- Na gebruik van het product in de contactactiveringsmodus, dient u het terug te zetten naar de sequentiële modus.
- De indrijfdiepte van het nietje kan verder worden aangepast dan de diepte die u wenst. Het is aangewezen om de ingedreven diepte van een nietje op een ongebruikt werkstuk te controleren om de diepte voor de toepassing te bepalen en, indien nodig, af te stellen.
- Alleen nagels die voldoen aan de beschrijving in de productspecificatietabel kunnen worden gebruikt in dit apparaat. Het gebruik van verkeerde nagels kan leiden tot vastlopen of andere storingen.
- Selecteer de contactactiveringsmodus niet wanneer u op een stelling, ladder of platform werkt waarbij u uw lichaamspositie misschien dient te veranderen. U kunt ongewild een nietje afvuren door het werkstukcontact per ongeluk te activeren terwijl u beweegt als de contactactiveringsmodus is geselecteerd. Wanneer u van positie verandert, selecteert u de volledige sequentiële activering of deactiveert u het product volledig door de accu te verwijderen. Dit vermindert de kans op verwondingen voor u en anderen.

VEILIGHEIDSWAARSCHUWINGEN DIEPTE-AFSTELLING

- Verwijder de accu altijd voordat u de diepte van het aandrijf wiel aanpast.
- Het afstelwiel niet terugtrekken; het wiel is bedoeld om te draaien.
- De trigger niet indrukken tijdens het aanpassen van de diepte van het aandrijf wiel.
- Selecteer altijd de volledige sequentiële afvuurmodus voordat u de boordiepte aanpast.
- Het apparaat niet naar jezelf of andere personen wijzen bij het aanpassen van de afvuurdiepte.

EXTRA WAARSCHUWINGEN BATTERIJVEILIGHEID

WAARSCHUWING

Voorkom brand, persoonlijk letsel of materiële schade door kortsluiting en dompel het gereedschap, de wisselaccu en het laadtoestel niet onder in vloeistoffen en waarborg dat geen vloeistoffen in de apparaten en accu's kunnen dringen. Corrosieve of geleidende vloeistoffen zoals zout water, bepaalde chemicaliën, bleekmiddelen of producten die bleekmiddelen bevatten, kunnen een kortsluiting veroorzaken.

VERVOEREN VAN LITHIUM BATTERIJEN

Vervoer de accu in overeenstemming met de plaatselijke en nationale voorzieningen en regelgevingen.

Respecteer alle speciale voorwaarden op de verpakking en etikettering wanneer u de accu's door derden laat transporteren. Zorg ervoor dat de accu's tijdens het transport niet in contact komen met andere batterijen of geleidende materialen door blootliggende connectoren met isolerende, niet-geleidende doppen of plakband te beschermen. Geen gekraakte of lekkende accu's vervoeren. Controleer bij het doorsturende bedrijf voor verder advies.

RESTRISICO'S

Zelfs wanneer het product zoals voorgeschreven wordt gebruikt, blijft het onmogelijk om alle restrisico's te voorkomen. De volgende gevaren kunnen optreden bij gebruik en de gebruiker dient speciaal op te letten om het volgende te voorkomen:

- Gehoorschade
Opmerking: Draag altijd een goede gehoorbescherming en beperk de blootstelling aan geluid.
- Oogletsels veroorzaakt door foutief ingedreven nietjes of rondvliegend stof en afval.
Opmerking: Draag altijd geschikte oogbescherming
- Letsel veroorzaakt door trillingen
Opmerking: Houd het werktuig aan de handvatten vast en beperk de blootstelling aan trillingen. Zie "Risico's Beperken".
- Snijwonden veroorzaakt door contact met scherpe punten.
Opmerking: Wees extra voorzichtig wanneer u nietjes hanteert of laadt.
- Het product is zwaar.
Opmerking: Het product is zwaar. Houd rekening met spierpijn wanneer u het product gedurende een langere periode achtereenvolgens gebruikt, vooral bij boven het hoofd werken.

RISICOBEPERKING

Vibraties van handgereedschap kan in bepaalde individuele gevallen leiden tot het syndroom van Raynaud. Symptomen kunnen ondermeer tintelingen, gevoelloosheid en bleek worden van de vingers omvatten, wat normaal gezien duidelijk wordt bij blootstelling aan koude. Erfelijke factoren, blootstelling aan koude en vocht, dieet, roken en werkrouetine kunnen allemaal bijdragen tot de ontwikkeling van deze symptomen. Er kunnen door de bediener maatregelen worden genomen om de gevolgen van de trillingen te beperken:

- Houd bij koud weer uw lichaam warm. Draag handschoenen wanneer u de machine gebruikt om handen en polsen warm te houden. Men neemt aan dat



koud weer een belangrijke factor is die bijdraagt tot het Syndroom van Raynaud.

- Doe oefeningen om de bloeddoorstroming te bevorderen na elke periode van gebruik.
- Neem regelmatig een pauze. Beperk het aantal uren dat u per dag wordt blootgesteld.

Wanneer u enige van de symptomen van deze aandoening ervaart, stop dan onmiddellijk met het gebruik van het toestel en raadpleeg uw dokter

WAARSCHUWING

Letsels kunnen optreden of verergeren door langdurig gebruik van een gereedschap. Als u een werktuig gedurende langere periodes gebruikt, neem dan regelmatig pauze.

KEN UW PRODUCT

Zie pagina 105.

1. Schakelaar voor schieten van nietjes
2. LED-lampje
3. Bedieningshandgreep, geïsoleerd grijppervlak
4. Instelknop voor luchtdruk
5. Instelwielje voor nietdiepte
6. Deblokkeerhendel
7. Werkstukcontactactivator
8. Venster voor indicatie leeg nietmagazijn
9. Magazijn
10. Magazijnschuifvergrendeling
11. Activeringshendel
12. Riemclip
13. Accupoort

ONDERHOUD

WAARSCHUWING

Het product mag nooit worden aangesloten op de netvoeding bij het aansluiten van onderdelen, maken van afstellingen, schoonmaken, uitvoeren van onderhoud of als het product niet wordt gebruikt. Ontkoppelen van het product voorkomt accidenteel opstarten, wat ernstig letsel kan veroorzaken.

- Gebruik voor vervanging uitsluitend originele reserveonderdelen. Gebruik van niet originele onderdelen kan gevaar opleveren of schade aan de machine veroorzaken.
- Voorkom het gebruik van oplosmiddelen wanneer u kunststof onderdelen reinigt. De meeste kunststoffen kunnen worden beschadigd door de in de handel zijnde oplosmiddelen. Gebruik een schone doek om vuil of stof te verwijderen.

- Remvloeistof, benzine, producten op basis van petroleum, kruipolie, enz mogen nooit in contact komen met kunststof onderdelen. Deze chemicaliën bevatten namelijk stoffen die kunststof kunnen beschadigen, verzwakken of aantasten.
- Draag altijd een veiligheidsbril of gezichtsbescherming met zijdelingse bescherming terwijl u het werktuig gebruikt of wanneer u stof blaast. Als het werk stof veroorzaakt, draag dan ook een stofmasker.
- For greater safety and reliability, all repairs should be performed by an authorised service centre.
- Smering

Alle lagers in het product zijn gesmeerd met voldoende kwalitatief smeermiddel voor de gehele levensduur van het product bij normale gebruiksomstandigheden. Extra smering is daarom niet noodzakelijk.

Geen smeermiddelen op nagels, het nagelpatroon of het afvuurmechanisme plaatsen. Schoon houden.

MILIEUBESCHERMING



Zorg dat grondstoffen worden gerecycled in plaats van weggegooid als afval. Om het milieu te beschermen dient de machine, de accessoires en de verpakking gesorteerd bij een erkend recyclingcentrum te worden aangeleverd.

SYMBOLEN



Veiligheidswaarschuwing



EG conformiteit



EurAsian-symbool van overeenstemming



Oekraïens conformiteitssymbool



Lees de gebruikshandleiding



LED-verlichting



Diepte-afstelling



Volledige sequentiële inschakeling



Contactinschakeling



Elektrisch afval mag niet samen met ander huishoudafval worden weggegooid. Gelieve te recycleren indien de mogelijkheid bestaat. Neem contact op met uw gemeente of handelaar om advies te krijgen over recyclage.

ICOON IN DEZE GEBRUIKSAANWIJZING



Opmerking



Tip



LED-lamp



Diepe penetratie



Oppervlakte penetratie



Accu verbinden



Max. koppel



Koppel Minimumafmeting

De volgende kernwoorden en verklaringen zijn bedoeld om de gevaarniveaus die op dit toestel betrekking hebben, te verklaren.

GEVAAR

Wijst op een gevaarlijke situatie die, indien ze niet wordt vermeden, kan leiden tot ernstige verwondingen of de dood.

WAARSCHUWING

Wijst op een mogelijk gevaarlijke situatie die, indien ze niet wordt vermeden, kan leiden tot ernstige verwondingen of de dood.

LET OP

Wijst op een mogelijk gevaarlijke situatie die, indien ze niet wordt vermeden, kan leiden tot lichte of middelmatige verwondingen.

LET OP

(Zonder veiligheidssymbool) Geeft een situatie aan die materiële schade zou kunnen veroorzaken.



Segurança, desempenho e fiabilidade foram as prioridades na concepção da sua pistola de pregos.

UTILIZAÇÃO PREVISTA

Esta pistola de pregos foi desenhada para ser utilizada por adultos que tenham lido e compreendido as instruções e avisos recolhidos neste manual e que possam ser considerados responsáveis das suas ações.

A pistola de pregos foi desenhada para pregar pregos em madeira ou materiais moles similares a partir de um carregador que contenha uma tira de pregos adequados. Os pregos que se podem carregar no carregador de forma segura para o produto descrevem-se na tabela de especificações do produto deste manual. Não utilize qualquer outro tipo de prego ou fixação com a pistola de pregos. Não utilize em modo de funcionamento por contacto enquanto trabalhar sobre andaimes, escadas ou outro tipo de plataformas onde for necessário mudar a posição de trabalho. Neste caso, utilize apenas o modo totalmente sequencial. Não utilize a pistola de pregos para fixar cabos elétricos.

Utilize o produto exclusivamente para o uso para o qual foi concebido.

AVISO

Leia todos os avisos de segurança e todas as instruções. O incumprimento em seguir os s e as instruções pode ter como consequências o choque eléctrico, incêndio e/ou lesões graves.

Guarde todos os avisos e instruções para futuras consultas.

AVISOS DE SEGURANÇA DO GRAMPEADOR

- **Não use esta ferramenta para fixar cabos elétricos.** A ferramenta não foi concebida para se usada na instalação de cabos elétricos e pode danificar o isolamento dos mesmos, causando choques elétricos ou incêndio.
 - Avisos de segurança adicionais
 - Tenha sempre presente que uma má utilização e um manuseamento inadequado desta ferramenta pode provocar lesões em si próprio e em outros.
 - A ferramenta foi concebida para ser usada apenas com uma mão. Fixe o produto apenas através do cabo. Mantenha a outra mão afastada da área de trabalho e do produto. Não coloque a cabeça ou outras partes do corpo perto do produto enquanto estiver a pregar pregos para evitar lesões pessoais graves.
 - Assegure-se sempre que o contacto da peça de trabalho está totalmente colocado em cima do material que deseja fixar. Colocar o contacto da peça de trabalho parcialmente em cima do material a fixar poderia causar que o prego não fixe o material e provocar lesões pessoais graves.
 - Não coloque pregos junto às extremidades do material. A peça a trabalhar pode partir-se, levando o prego a fazer ricochete e causando ferimentos a si ou a outra pessoa. O prego pode seguir o veio da madeira, levando-o a sair inesperadamente do outro lado do material a trabalhar ou a desviar-se, podendo causar lesões.
 - Fixe a peça a trabalhar com grampos sempre que necessário para manter as mãos e o resto do corpo afastados de lesões potenciais. Assegure-se que o material que deseja fixar está bem fixo antes de pressionar o contacto da peça contra o material. Pregos o prego pode fazer com que o material rode inesperadamente.
 - Mantenha a cara e o corpo afastados da tampa da ferramenta ao trabalhar em áreas confinadas. O recuo súbito pode representar um impacto no corpo, especialmente ao usar a ferramenta em material denso ou rijo.
 - Durante a normal utilização da ferramenta esta irá recuar imediatamente após o disparo de um prego. Não tente evitar o recuo da ferramenta segurando o grampeador contra o trabalho. A restrição do recuo pode levar ao disparo de um segundo prego da ferramenta. Segure firmemente na pega, deixe a ferramenta trabalhar e não coloque a outra mão em cima da ferramenta nem junto ao escape, em qualquer circunstância. A inobservância deste aviso pode resultar em graves ferimentos pessoais.
 - Não coloque pregos por cima de outros pregos nem com a ferramenta num ângulo demasiado inclinado porque isto pode levar os pregos a desviarem-se, causando lesões.
- **Parta sempre do pressuposto de que a ferramenta contém pregos.** Um manuseamento descuidado do grampeador pode resultar num disparo acidental de pregos e em lesões físicas.
 - **Não aponte a ferramenta para si próprio nem para terceiros nas imediações.** Um disparo inesperado irá expulsar um prego, causando ferimentos.
 - **Não dispare a ferramenta se esta não estiver firmemente encostada à peça de trabalho.** Se a ferramenta não estiver em contacto com a peça a trabalhar, o prego pode ser desviado do alvo.
 - **Desligue a ferramenta da fonte de alimentação sempre que um prego encravado na mesma.** Ao retirar um prego encravado, a ferramenta pode ser inadvertidamente ativada caso esteja ligada.
 - **Tenha cuidado ao remover um prego encravado.** O mecanismo pode ficar sob compressão e o prego pode ser disparado forçosamente ao tentar desbloquear uma situação de encravamento.



- Antes de usar o produto verifique sempre a área de trabalho relativamente à presença de fios, condutas de gás ou de água, etc. escondidos.
- Após a utilização do produto no modo de operação por contacto, volte a mudá-lo para o modo integralmente sequencial.
- A profundidade a que se prega o prego pode ser ajustada além da profundidade necessária. É recomendável comprovar a profundidade a que se vai pregar o prego num pedaço de material inservível para determinar e ajustar, se for necessário, a profundidade da aplicação.
- Só os preços que correspondam à descrição nas especificações do produto podem ser usados com esta ferramenta. O uso de pregos incorretos pode dar origem a encravamento ou outras avarias.
- Não selecione o modo de funcionamento por contacto quando trabalhar sobre andaimes, escadas ou plataformas onde possa ser necessário mudar de postura. Pode disparar involuntariamente um prego por ativação acidental do contacto da peça de trabalho enquanto se move se estiver selecionado o modo de funcionamento por contacto. Ao mudar de posição, selecione a ativação totalmente sequencial ou desative completamente o produto retirando a bateria. Isto reduzirá a possibilidade de provocar lesões a si próprio ou a outros.

AVISOS DE SEGURANÇA QUANTO AO AJUSTE DE PROFUNDIDADE

- Retire sempre a bateria antes de ajustar a profundidade do furo.
- Não puxe a roda de ajuste, esta foi concebida para ser rodada.
- Não pressione o gatilho enquanto ajusta a profundidade de perfuração.
- Selecione sempre o modo sequencial antes de ajustar a profundidade do furo.
- Não aponte a ferramenta para si próprio nem para outra pessoa ao ajustar a profundidade de perfuração.

AVISOS DE SEGURANÇA ADICIONAIS DAS BATERIAS

⚠ AVISO

Para evitar o risco de incêndio, de feridas ou de danificação do produto causado por um curto-circuito, não imerja a bateria intercambiável ou o carregador em líquidos e assegure-se de que líquidos não penetrem nos aparelhos ou nas baterias. Líquidos corrosivos ou condutivos como água salgada, determinadas substâncias químicas ou produtos que contenham branqueadores podem causar um curto-circuito.

TRANSPORTE DE BATERIAS DE LÍCIO

Transporte a bateria em conformidade com as disposições e os regulamentos locais e nacionais.

Respeite os requisitos especiais que existam na embalagem e a etiquetagem durante o transporte de baterias por terceiros. Assegure-se que não há risco de uma bateria entrar em contacto com outra bateria nem com materiais condutores durante o transporte, protegendo os conectores expostos com tampas ou fita isoladoras e não condutoras. Não transporte baterias com fissuras ou fugas. Contacte a empresa transitária para mais aconselhamento.

RISCOS RESIDUAIS

Mesmo quando se utiliza o produto segundo as instruções, continua a ser impossível eliminar por completo certos fatores de risco residuais. Podem surgir os seguintes riscos durante o uso e o operador deve prestar especial atenção para evitar o seguinte:

- Lesões auditivas
Nota: Use sempre proteção auditiva eficaz e limite o tempo de exposição ao ruído.
- Lesões oculares causadas por pregos mal pregados ou pó e escombros.
Nota: Use sempre proteção ocular adequada.
- Lesões por vibração
Nota: Segure a ferramenta através das mangas correspondentes e limite a sua exposição à vibração. Consulte o ponto "Redução De Riscos".
- Lacerações causadas pelo contacto com pontas afiadas.
Nota: Tenha muito cuidado ao manipular ou carregar os pregos.
- O produto é pesado.
Nota: O produto é pesado. Tenha cuidado com a tensão muscular durante o uso do produto durante períodos prolongados, especialmente se se utilizar em cima da cabeça.

REDUÇÃO DO RISCO

Informou-se que as vibrações das ferramentas manuais podem contribuir para uma doença chamada síndrome de Raynaud em certos indivíduos. Os sintomas podem incluir formigueiro, entorpecimento e empalidecimento dos dedos, habitualmente visível aquando da exposição ao frio. Estima-se que os fatores hereditários, exposição ao frio e humidade, dieta, tabagismo e práticas de trabalho contribuem todos para o desenvolvimento destes sintomas. Existem medidas que podem ser tomadas pelo operador para possivelmente reduzir os efeitos da vibração:

- Mantenha o seu corpo quente durante o tempo frio. Ao operar a unidade, use luvas para manter as mãos e os pulsos quentes. Encontra-se reportado que o tempo frio é um grande fator que contribui para o Síndrome de Raynaud.



- Após cada período de operação, exercite para aumentar a circulação sanguínea.
- Faça pausas frequentes no trabalho. Limite o tempo de exposição por dia.

Caso sinta algum dos sintomas desta doença, interrompa de imediato a sua utilização e consulte o seu médico sobre estes sintomas.

⚠ AVISO

As lesões podem ser causadas ou agravadas pelo uso prolongado de uma ferramenta. Ao usar qualquer ferramenta durante períodos prolongados, assegure-se que faz intervalos regulares.

CONHEÇA O SEU PRODUTO

Consulte a página 105.

1. Seletor de modo de disparo
2. Gatilho luzes LED
3. Cabo, superfícies de prensão isoladas
4. Botão de ajuste de pressão de ar
5. Roda de ajuste de profundidade do prego
6. Alavanca de libertação de bloqueio
7. Ativador de contacto da peça de trabalho
8. Visor indicador de baixo nível de pregos
9. Carregador
10. Lingueta deslizante do carregador
11. Gatilho de acionamento do disparo
12. Pinça para cinto
13. Orifício da bateria

MANUTENÇÃO

⚠ AVISO

O produto não deve nunca ligado à corrente elétrica durante a montagem de peças, a realização de ajustes, limpeza, operações de manutenção ou quando não está em uso. Ao deligar o produto estará a evitar um arranque acidental que pode causar lesões graves.

- Ao realizar serviços de manutenção, use apenas peças de substituição idênticas. O uso de quaisquer outras peças pode criar perigo ou causar danos ao aparelho.
- Evite usar solventes ao limpar as peças de plástico. A maioria dos plásticos pode ser danificada pelos solventes vendidos no comércio. Utilize um pano limpo para remover as sujidades, o pó, etc.
- Nunca, em qualquer momento, deixe que fluidos de travagem, gasolina, produtos petrolíferos, óleos de perfuração, etc., entrem em contacto com as peças de plástico. Estas substâncias contêm produtos químicos que podem danificar, enfraquecer ou destruir o plástico.

- Use sempre óculos de protecção ou óculos de segurança com protecções laterais durante a operação da ferramenta eléctrica ou quando estiver a levantar poeira no ar. Caso a operação seja poeirenta, use também uma máscara contra o pó.
- Para uma maior segurança e fiabilidade, todas as reparações devem ser realizadas por um centro de assistência autorizado.

LUBRIFICAÇÃO

Todos os rolamentos deste produto estão lubrificados com um montante suficiente de lubrificante de elevado nível, de acordo com a duração de vida do produto em condições normais de funcionamento. Por conseguinte, não requer nenhuma lubrificação suplementar.

Não use lubrificantes nos preços, no cartucho dos pregos nem no mecanismo de perfuração. Mantenha-a limpa.

PROTECÇÃO DO AMBIENTE



Recicle os materiais em vez de pô-los directamente no lixo doméstico. Para proteger o ambiente, a ferramenta, os acessórios e as embalagens devem ser seleccionados.

SÍMBOLOS



Alerta de segurança



Conformidade CE



Marca de conformidade EurAsian



Marca de conformidade ucraniana



Ler o Manual do Utilizador



Luzes de trabalho LED



Ajuste de profundidade



Operação totalmente sequencial



Operação por contacto



Os aparelhos eléctricos antigos não devem ser eliminados juntamente com o lixo doméstico. Recicle onde existem instalações para o efeito. Verifique com as suas Autoridades Locais ou revendedor para obter informações sobre reciclagem.

ÍCONE NESTE MANUAL



Nota



Ponta



Led



Penetração profunda



Penetração superficial



Conectar a bateria



Binário máximo



Torque mínimo

As seguintes palavras de sinal e significados destinam-se a explicar os níveis de risco associados a este produto.

⚠ PERIGO

Indica uma situação de perigo iminente, a qual, se não for evitada, pode resultar em morte ou ferimentos graves.

⚠ AVISO

Indica uma situação potencialmente perigosa que, se não for evitada, pode resultar em morte ou ferimentos graves.

⚠ CAUTELA

Indica uma situação potencialmente perigosa que, se não for evitada, pode resultar em ferimentos leves ou moderados.

CAUTELA

(Sem símbolo de segurança) Indica uma situação que pode provocar danos materiais.



Sikkerhed, ydelse og driftssikkerhed har fået topprioritet i designet af din sømpistol.

TILTÆNKT ANVENDELSESFORMÅL

Denne sømpistol er kun beregnet til at blive brugt af voksne, som har læst og forstået instrukserne og advarselene i denne brugsanvisning, og som kan betragtes som værende ansvarlige for deres handlinger.

Sømpistolen er beregnet til at drive søm i træ eller lignende bløde materialer fra et magasin, der indeholder et sæt passende søm. De søm, der kan lades sikkert i magasinet til produktet, er beskrevet i produktspecifikationstabellen i denne vejledning. Undlad at bruge andre typer søm eller fastgørelsesmidler med sømpistolen. Undlad at bruge sømpistolen i kontakt-aktiveringstilstand, mens du arbejder på stillads, stige eller anden platform, hvor der kræves en ændring i arbejdsstillingen. I dette tilfælde skal man benytte fuld sekventiel tilstand. Sømpistolen må ikke bruges til fastgørelse af elkabler.

Produktet må kun bruges til de formål, der er angivet under formålsbestemt/korrekt brug.

⚠ ADVARSEL

Alle sikkerhedsadvarsler og alle anvisninger skal læses. Hvis advarslen og instruktionerne ikke følges, kan det medføre elektrisk stød og/eller alvorlig personskade.

Gem alle advarsler og brugsanvisninger til senere brug.

SIKERHEDSADVARSLER VEDR. SØMPISTOL

- **Undgå at bruge sømpistolen til fastgørelse af elkabler.** Ikke beregnet til elkabelinstallationer og kan ødelægge isoleringen af elkabler og dermed forårsage elektrisk stød eller brandfare.
- Ekstra sikkerhedsadvarsler
- Vær altid opmærksom på, at misbrug eller ukorrekt håndtering af dette værktøj kan forårsage skader på dig selv og andre.
- Værktøjet er beregnet til en-hånds-betjening. Produktet må kun holdes i betjeningshåndtaget. Hold den anden hånd langt væk fra arbejdsområdet og produktet. Undlad at placere hovedet eller andre kroppsdele i nærheden af produktet, mens der isættes søm, for at undgå alvorlig personskade.
- Kontrollér altid, at emnekontakten er anbragt fuldstændigt over det materiale, der skal fastgøres. Hvis emnekontakten kun anbringes delvist over det materiale, der skal fastgøres, risikerer man, at sømmet ikke rammer materialet og evt. forårsager alvorlige personskader.
- Undgå at indskyde søm i nærheden af materialekanten. Emnet kan flække og bevirke, at sømmet udslynges med personskader for dig selv eller andre til følge. Vær opmærksom på, at sømmet muligvis følger åren i træet, hvilket kan bevirke, at det uventet trænger ud gennem siden af emnematerialet eller afbøjer og evt. forårsager legemsbeskadigelse.
- Fastspænd om nødvendigt emnet med klammer for at udelukke potentielle risici for hænder og krop. Kontrollér, at det materiale, der skal fastgøres, er ordentligt sikret, inden emnekontakten presses mod materialet. Isætning af søm kan bevirke, at materialet forskyder sig uventet.
- Hold ansigt og legemsdele på afstand af værktøjets bagdæksel, når der arbejdes i begrænsede områder. Pludseligt tilbageslag kan medføre slag mod kroppen, især når der arbejdes med hårdt eller kompakt materiale.
- Under normal brug vil værktøjet 'slå tilbage' umiddelbart efter affyringen af et søm/klamme. Undgå at forsøge at forhindre tilbageslag ved at holde sømpistolen fast mod emnet. Ved at begrænse tilbageslaget risikerer man, at det næste søm/klamme udskydes af sømpistolen. Hold godt fast i håndtaget, lad værktøjet gøre arbejdet, og undgå at placere den anden hånd oven på værktøjet eller nær affyringsåbningen. Manglende iagttagelse af denne advarsel kan medføre alvorlig personskade.
- Undgå at indskyde søm oven på andre søm eller med værktøjet i en meget skrå vinkel, da dette kan medføre afbøjning af sømmene, hvilket igen kan forårsage personskader.
- Kontrollér altid arbejdsområdet for skjulte ledninger, gasrør, vandrør osv., inden produktet anvendes i sådanne områder.



- Når man har brugt produktet i kontaktaktiveringsmodus skal man huske at sætte det tilbage i fuld sekventiel modus.
- Sømmets indskydningsdybde kan justeres ud over den ønskede dybde. Det anbefales, at man kontrollerer et søms isætningsdybde på et skrot-ømne for at bestemme og evt. justere dybden for det givne anvendelsesformål.
- I dette værktøj må der kun benyttes søm/klammer, som opfylder beskrivelsen i produktspecifikationstabellen. Brug af forkerte søm/klammer kan medføre blokering eller driftsforstyrrelser.
- Undlad at vælge kontakt-aktiveringstilstand, når du arbejder på stilladser, stiger eller platforme, hvor du kan få brug for at ændre kropstilling. Du kan komme til at affyre et søm via en utilsigtet aktivering af emmekontakten, mens du bevæger dig, hvis kontakt-aktiveringstilstand er valgt. Når du skifter position, skal du vælge fuld sekventiel aktivering eller helt slukke for produktet ved at fjerne batteriet. Herved reduceres den potentielle fare for at skade dig selv og andre.

SIKKERHEDSADVARSLER VEDR. DYBDEJUSTERING

- Husk altid at fjerne batteriet inden justering af drivhjulets dybde.
- Undgå at trække justeringshjulet tilbage; hjulet er beregnet til at blive roteret.
- Undgå at presse udløseren ind, mens du justerer dybden af drivhjulet.
- Vælg altid fuld sekventiel affyringsmodus, inden indskydningsdybden justeres.
- Undgå at rette værktøjet mod dig selv eller andre i nærheden, når du justerer indskydningsdybden.

YDERLIGERE SIKKERHEDSADVARSLER OM BATTERI

⚠ ADVARSEL

For at undgå risiko for brand, kvæstelser eller beskadigelse af produktet forårsaget af kortslutning må værktøjet, batteripakken eller opladeren ikke nedsænkes i vand. Sørg ligeledes for, at der ikke trænger væske ind i enhederne og batterierne. Korroderende eller ledende væsker, f.eks. saltvand, bestemte kemikalier, blegestoffer eller produkter, som indeholder blegestoffer, kan forårsage kortslutning.

TRANSPORT AF LITHIUM-BATTERIER

Batteriet skal transporteres i henhold til lokale og nationale forskrifter og love.

Når batterier skal transporteres af tredjepart, skal alle specielle krav til emballering og mærkning efterleves. Man

skal sikre sig, at ingen batterier kan komme i kontakt med andre batterier eller ledende materialer under transporten ved at beskytte blottede konnektorer med isolerende, ikke-ledende hætter eller tape. Undlad at transportere batterier med revner eller utætheder. Rådfør dig desuden hos speditøren.

UUNDGÅELIGE RISICI

Selv om produktet anvendes som foreskrevet, er det stadig umuligt at eliminere visse uundgåelige risikofaktorer fuldstændigt. Følgende risici kan opstå under brug, og operatøren bør være særligt opmærksom for at undgå følgende:

- Høreskader
Bemærk: Benyt altid effektivt høreværn, og begræns eksponeringen for støj.
- Fare for øjenskader pga. forkert isatte søm eller flyvende støvpartikler og affald.
Bemærk: Brug altid passende øjenværn.
- Personskader forårsaget af vibration
Bemærk: Hold værktøjet i de hertil indrettede håndtag, og begræns eksponeringen for vibrationer. Se "Risikoreduktion".
- Rifter forårsaget af kontakt med skarpe spidser.
Bemærk: Vær ekstra forsigtig ved håndtering eller ladning af søm.
- Produktet er tungt.
Bemærk: Produktet er tungt. Pas på med at overbelaste musklerne når produktet benyttes i længere perioder, især hvis det bruges over hovedhøjde.

RISIKOREDUKTION

Der er rapporteret om, at vibrationer fra håndholdte værktøjer kan være medvirkende til en lidelse kaldet Raynauds syndrom hos visse personer. Symptomerne herpå kan være prikken, følelsesløshed og blegning af fingrene, der normalt viser sig ved kuldepåvirkning. Faktorer som arvelighed, udsættelse for kulde og fugt, kost, rygning og arbejdsvaner menes alle at medvirke til udviklingen af disse symptomer. Der findes forholdsregler, som operatøren kan træffe for at begrænse påvirkningen fra vibrationer:

- Hold kroppen varm i koldt vejr. Brug handsker, så hænder og vriste holdes varme under arbejdet. Der er rapporteret om, at koldt vejr er en væsentlig faktor til Raynauds syndrom.
- Motionér efter hver arbejdsperiode for at øge blodcirkulationen.
- Hold hyppige arbejds pauser. Begræns eksponeringen for vibrationer pr. dag.

Hvis du mærker nogen af symptomerne på denne tilstand, skal du straks ophøre med arbejdet og søge læge.

**⚠ ADVARSEL**

Længere tids brug af et værktøj kan forårsage - eller forværre - personskader. Når man bruger et værktøj i længere perioder ad gangen, skal man huske at holde hyppige pauser.

KEND PRODUKTET

Se side 105.

1. Vælger til affyringstilstand
2. Udløser med LED-lamper
3. Betjeningshåndtag, isoleret grebflade
4. Lufftryk-justeringsknap
5. Hjul til justering af sømddybde
6. Håndtag til afhjælpning af blokering
7. Emnekontakt-aktuator
8. Indikatorvindue for få søm i magasin
9. Magasin
10. Magasinsidelås
11. Affyringsudløser
12. Bæltklemme
13. Batteriåbning

VEDLIGEHOLDELSE**⚠ ADVARSEL**

Produktet må aldrig sluttes til en strømforsyning, mens man er i færd med at samle dele, foretage justeringer, rengøre, udføre vedligeholdelsesarbejde, eller når produktet ikke anvendes. Ved at afbryde forbindelsen til strømforsyningen forhindrer man utilsigtet start af produktet, hvilket kan medføre alvorlige personskader.

- I forbindelse med servicearbejde må der kun bruges originale reservedele. Brug af alternative dele kan forårsage farlige situationer eller ødelægge produktet.
- Undgå brug af opløsningsmidler til rengøring af plastdele. De fleste plasttyper bliver ødelagt, hvis de renses med almindelige gængse opløsningsmidler. Fjern snavs, støv m.v. med en ren klud.
- Sørg for, at bremsévæske, benzin, petroleumbaserede produkter, penetreringsolie, mv., aldrig kommer i kontakt med plastdele. Disse kemiske produkter indeholder stoffer, som kan beskadige, mørne eller ødelægge plastmaterialet.
- Bær altid sikkerhedsbriller med sideskjolde under betjening af elværktøjet eller ved støv-ophvirvling. Hvis der ophvirvles støv under arbejdet, bæres også støvmaske.
- For bedre sikkerhed og pålidelighed skal alt reparationsarbejde udføres på et autoriseret

servicecenter.

SMØRING

Alle lejerne i produktet er smurt for produktets levetid under normale driftsbetingelser med en tilstrækkelig mængde højkvalitetssmøremiddel. Det er derfor ikke nødvendigt med yderligere smøring.

Undgå at bruge smøremidler på søm, sømmagasin eller drivmekanisme. Skal holdes ren.

MILJØBESKYTTELSE

Råmaterialerne skal genbruges og ikke bortskaffes som almindeligt affald. Af hensyn til miljøet skal redskab, tilbehør og emballage sorteres.

SYMBOLER

Sikkerhedsadvarsel



CE-overensstemmelse



EurAsian overensstemmelsesmærke



Ukrainsk overensstemmelsesmærke



Læs brugsanvisningen



LED-arbejdslys



Dybdejustering



Fuld sekventiel aktivering



Kontakt-aktivering



Elektriske affaldsprodukter bør ikke afskaffes sammen med husholdningsaffald. Genbrug venligst hvor faciliteterne tillader dette. Tjek med din lokale kommune eller forhandler for genbrugsråd.

**IKON I DENNE BRUGSANVISNING**

Bemærk



Spids



LED-lampe



Dyb penetrering



Lav penetrering



Tilslut batteri



Max moment



Drejningsmoment, minimum

De følgende ikoner og betydninger er beregnet til at forklare risikoen involveret i at anvende denne enhed.

⚠ FARE

Indikerer en umiddelbart farlig situation, som - hvis den ikke afværges - vil medføre dødsfald eller alvorlig personskade.

⚠ ADVARSEL

Indikerer en potentielt farlig situation, som - hvis den ikke afværges - kan medføre dødsfald eller alvorlig personskade.

⚠ VÆR OPMÆRKSOM

Indikerer en potentielt farlig situation, som - hvis den ikke afværges - kan medføre mindre eller middelsvær personskade.

VÆR OPMÆRKSOM

(Uden sikkerhedssymbol) indikerer en situation som kan føre til skade af personlig ejendom.



Säkerhet, prestanda och pålitlighet har varit högsta prioritet vid design av din spikpistol.

ANVÄNDNINGSMÅL

Denna spikpistol är enbart avsedd att användas av vuxna som har läst och är införstådda med instruktioner och varningar i denna bruksanvisning och kan anses vara ansvariga för sina åtgärder.

Spikpistolen är avsedd för att skjuta in spikar i trä eller liknande mjukt material från ett magasin med en remsa lämpliga spikar. Spikarna som kan laddas på säkert sätt i produktens magasin beskrivs i tabellen med produktspecifikationer i denna bruksanvisning. Använd inga andra typer av spikar eller fästelement med spikpistolen. Använd inte i kontaktläge vid arbete på ställning, stege eller annan plattform där det finns risk för snabb ändring av arbetsposition. Använd enbart det sekventiella läget i dessa fall. Spikpistolen får inte användas för att fästa elkablar.

Använd inte produkten på något annat sätt än vad som är avsett.

⚠ VARNING

Läs alla säkerhetsvarningar och anvisningar. Att inte följa en och instruktionerna kan resultera i elstöt, brand och/eller allvarlig skada.

Behåll dessa varningar och anvisningar för framtida referens.

SÄKERHETSFORESKRIFTER FÖR SPIK

- **Förutsätt att produkten alltid innehåller fastsättare.** Ovarsamhet med fastsättaren kan leda till oönskade avfyrningar av fastsättare och personskador.
- **Rikta inte verktyget mot dig själv eller någon i närheten.** Övåntad avskjutning kan skjuta ut spik och orsaka skador.
- **Aktivera inte verktyget om det inte ligger an mot arbetsstycket.** Om verktyget inte ligger an mot arbetsstycket kan fastsättare deflekteras från målet.
- **Koppla från verktyget från strömkällan om fastsättare sätter sig i verktyget.** När du tar bort fastsättare som satt sig kan spikpistolen aktiveras av misstag om verktyget är inkopplat.
- **Var försiktig med att ta bort fastsättare som satt sig.** Mekanismen kan vara trycksatt och fastsättaren tvingas att skjuta för att lösa upp sättnig.
- **Använd inte spikpistolen för att fästa elektriska kablar.** Det är inte avsett för installation av elkablar och kan skada isolering på elkablar och därmed orsaka elektrisk stöt eller brandrisk.
- Ytterligare säkerhetsföreskrifter
- Tänk på att felanvändning eller felaktig hantering av det här verktyget kan orsaka skador på dig själv och andra.
- Verktyget är avsett för enhandsbruk. Produkten får enbart hållas i handtaget. Håll den andra handen på säkert avstånd från arbetsområdet och produkten. Placera inte huvudet eller andra kroppsdelar i närheten av produkten under spikning för att undvika allvarliga personskador.
- Se till att arbetsstycket är korrekt placerat ovanför materialet som ska fästas. Placering av arbetsstycket en liten bit ovanför materialet som ska fästas kan göra att spikarna missar materialet helt och orsaka allvarliga personskador.
- Skjut inte i spik nära kanter. Arbetsstycket kan delas och få spikar att rikoschettera vilket kan skada dig eller din arbetskamrat. Kom ihåg att spik följer träets fiberriktning vilket gör att spik kan komma ut på oväntade ställen på sidan av arbetsstycket eller deflekteras och eventuellt innebära risk för skada.
- Håll arbetsstycket med klämmor vid behov för att se till att händer och kropp inte är i riskzonen. Se till att material som ska fästas är ordentligt säkrat innan arbetsstycket trycks mot materialet. När spiken skjuts in kan materialet plötsligt flyttas.
- Se till att ansikte och kroppsdelar inte är i närheten av verktyget vid arbete i slutna utrymmen. Plötslig rekyll kan påverka kroppen, speciellt vid arbete med hårda och täta material.
- Vid normal användning rekylerar verktyget direkt efter ha skjutit in spik. Försök inte hålla mot rekylen genom att pressa verktyget mot arbetsstycket. Begränsning av rekylen kan göra att en andra spik skjuts ut från pistolen. Håll ett fast grepp i handtaget, låt verktyget jobba och placera aldrig andra handen ovanpå verktyget eller nära utblåsningen. Om inte denna varning hörsammars kan det leda till allvarlig personskada.
- Använd inte fastsättare på andra fästen eller med verktyget alltför snett riktat eftersom fastsättare kan deflekteras och orsaka skador.
- Kontrollera alltid arbetsplatsen vad gäller kablage, vattenledningar och liknande innan produkten används på platsen.
- När produkten används i kontaktläge ska den ställas tillbaka i sekventiellt läge.
- Spikdjupet kan justeras större än det djup som krävs. Vi rekommenderar att spikdjupet kontrolleras på ett överblivet arbetsstycke för att fastställa och justera spikdjupet vid behov.
- Enbart fastsättare som stämmer med specifikation i produktspecifikationen få användas med verktyget. Användning av fel fastsättare kan leda till att verktyget sätter sig eller inte fungerar på annat sätt.



- Välj inte kontaktläge vid arbete på ställning, stege eller annan plattform där du kanske behöver ändra kroppsställning. Du kan av misstag avfyra en spik vid kontakt med arbetsstycket när du rör dig om kontaktläget är valt. Vid ändring av ställning ska du välja sekventiellt läge eller avaktivera produkten genom att ta bort batteriet. På så sätt minskas risken för skador på dig själv och på andra.

SÄKERHETSFÖRESKRIFTER DJUPINSTÄLLNING

- Ta alltid ur batteriet före justering av djupet.
- Dra inte i justeringsvredet, det är gjort för att vridas.
- Tryck inte på avtryckaren vid justering av djupet.
- Välj alltid helt sekventiellt skjutläge före djupet justeras.
- Rikta inte verktyget mot någon i närheten när du ställer in djupet.

YTTERLIGARE SÄKERHETSVARNINGAR FÖR BATTERIER

⚠ VARNING

För att undvika den fara för brand, personskador eller produktskador som orsakas av en kortslutning, doppa inte ner verktyget, utbytesbatteriet eller laddaren i vätskor och se till att ingen vätska kan tränga in i apparaterna eller batterierna. Korroderande eller ledande vätskor, som saltvatten, vissa kemikalier, blekningsmedel eller produkter som innehåller blekmedel, kan orsaka en kortslutning.

TRANSPORTERA LITIUMBATTERIER

Transportera batteriet enligt lokala och nationella lagar och regleringar.

Följ alla specifika krav på förpackning och etiketter när batteri transporteras av tredje part. Se till att batteriet inte kommer i kontakt med andra batterier eller ledande material genom att skydda exponerade kontakter med isolerande, icke ledande skydd eller tejp. Transportera inte batterier som är spruckna eller läcker. Kontrollera med vidarebefordrande företag för mer information.

RESIDUALRISK

Även om produkten används enligt instruktionerna går det inte att eliminera alla eventuella riskfaktorer. Följande risker kan uppstå vid användning och operatören ska vara extra uppmärksam för att undvika följande:

- Hörselskador
Notera: Använd alltid hörselskydd och begränsa exponering för buller.
- Ögonskador orsakade av felaktigt skjutna spikar eller ringflygande damm och skräp.

Notera: Använd alltid lämpliga skyddsglasögon.

- Skador orsakade av vibrationer
Notera: Håll produkten i de avsedda handtagen och begränsa exponering för vibrationer. Se "Riskreducering".
- Skärsår orsakade av kontakt med vassa punkter.
Notera: Var extra försiktig vid hantering och laddning av spikar.
- Produkten är tung.
Notera: Produkten är tung. Se upp för muskelansträngning vid användning av produkten under längre tid, speciellt om arbetsläget är ovanför huvudhöjd.

RISKMINSKNING

Det finns rapporter om att vibrationer från handhållna produkter kan bidra till ett tillstånd som kallas Raynauds syndrom för vissa personer. Symptomen brukar vara att det sticker i fingrarna och att de domnar bort; fingrarna kan också bli vita, särskilt vid kyla. Årftliga faktorer, kyla och fukt, diet, rökning och arbetsrutiner tros alla bidra till att orsaka dessa symptom. Det finns förebyggande åtgärder som du kan vidta för att försöka minska vibrationernas påverkan:

- Håll dig varm när du arbetar i kallt väder. Använd handskar för att hålla kvar värmen i händer och handleder. Kyla har rapporterats som en viktig del i utvecklandet av Raynauds syndrom.
- Träna och rör på dig efter varje användningstillfälle för att öka blodcirkulationen.
- Ta ofta pauser från arbetet. Begränsa tiden du utsätter dig varje dag.

Upphör omedelbart om du upplever några av dessa symptom och uppsök din läkare.

⚠ VARNING

Risk för person- eller slitageskador vid användning av verktyget under lång tid. Om verktyget används under längre perioder krävs regelbundna pauser.

LÄR KÄNNA DIN PRODUKT

Se *sidan 105*.

1. Väljare för avfyrlingsläge
2. LED-utlösare
3. Drifhandtag, isolerad greppyta
4. Vred för justering av lufttryck
5. Hjul för justering av spikdjup
6. Spak för trassel
7. Kontaktutlösare för arbetsstycket
8. Indikator för fåtal spikar i magasinet
9. Magasin



10. Magasinets låsspär
11. Avtryckare
12. Bältesklämma
13. Batteriport

UNDERHÅLL

⚠ VARNING

Produkten får aldrig anslutas till strömkälla under monterning, justeringar, rengöring, underhåll eller när produkten inte används. Frånkoppling av produkten förhindrar uppstart av misstag vilket kan orsaka allvarliga skador.

- Använd endast identiska originaldelar när du servar maskinen. Användning av andra delar kan orsaka fara eller produktskada.
- Undvik att använda lösningsmedel vid rengöring av plastdelar. Flertalet plaster kan skadas vid användning av vissa lösningsmedel som säljs i affärerna. Använd en ren tygrasa för att torka bort smuts, damm, osv.
- Låt aldrig bromsvätska, bensin, petroleumbaserade produkter, penetrerande oljor och liknande komma i kontakt med plastdelar. Dessa ämnen innehåller kemiska produkter som kan skada, försvaga eller förstöra plasten.
- Använd alltid skyddsglasögon när du använder verktyget eller när du blåser damm. Använd en ansiktsmask om det dammar mycket.
- För säkerhet och pålitlighet ska alla reparationer utföras av auktoriserat reparationscenter.

SMÖRJNING

Alla lager i produkten har smorts med tillräcklig mängd högklassig smörjmedel för produktens livslängd under normala driftsförhållanden. Därför behövs ingen ytterligare smörjning.

Använd inga smörjmedel på spik, spikmagasin eller drivmekanism. Håll verktyget rent.

MILJÖSKYDD



Råmaterialen ska återvinnas i stället för att kastas i hushållsavfallet. För att skona miljön ska verktyget, tillbehören och emballagen sorteras.

SYMBOLER



Säkerhetsvarning



CE-överensstämmelse



EurAsian överensstämmelsesymbol



Ukrainskt märke för överensstämmelse



Läs användarmanualen.



LED arbetslampor



Djupinställning



Full sekventiell aktivering



Kontaktaktivering



Gamla elektroniska produkter ska inte kastas med hushållssoporna. Återvinn där sådana faciliteter finns. Kontrollera med din lokala myndighet eller säljaren för att få återvinningstips.

BILD I DENNA BRUKSANVISNING



Notera



Spets



LED-lampa



Djup inträngning



Ytlig inträngning



Koppla in batteriet



Maximum vridmoment



Vridmoment, minsta

Följande signalord och betydelser är tänkta att förklara de olika risknivåerna som är associerade med denna produkt.

FARA

Visar på en direkt riskfylld situation som, om den inte undviks, kan orsaka dödsfall eller allvarlig personskada.

VARNING

Visar på en potentiellt riskfylld situation som, om den inte undviks, kan orsaka dödsfall eller allvarlig personskada.

FÖRSIKTIGHET

Visar på en potentiellt riskfylld situation som, om den inte undviks, kan orsaka mindre eller måttlig personskada.

FÖRSIKTIGHET

(Utän säkerhetssymbolen) Indikerar en situation som kan leda till egendomsskada.



Naulaimen suunnittelussa on pidetty etusijalla turvallisuutta, suorituskykyä ja luotettavuutta.

KÄYTTÖTARKOITUS

Tämä naulain on tarkoitettu vain sellaisten aikuisten käytettäväksi, jotka ovat lukeneet ja ymmärtäneet tämän käsikirjan ohjeet ja varoitukset ja joita voidaan pitää vastuullisina teoistaan.

Naulain on tarkoitettu naulojen naulaamiseen puuhun tai vastaavaan pehmeään materiaaliin. Naulat sijoitetaan lippaaseen. Naulat, jotka voidaan turvallisesti ladata tuotteen lippaaseen, kuvataan tämän käyttöoppaan teknisten tietojen taulukossa. Älä käytä naulaimen kanssa muun tyyppisiä nauloja tai kiinnikkeitä. Älä käytä kontaktitilassa työskennellessäsi rakennustelineillä, tikkailla tai muulla alustalla, missä sinun on vaihdettava työasentoa. Käytä tällaisessa tapauksessa sarjatilaa. Naulainta ei tule käyttää sähköjohtojen kiinnitykseen.

Älä käytä tätä tuotetta millään muulla tavalla kuin mihin se on tarkoitettu.

VAROITUS

Lue kaikki turvallisuusvaroitukset ja ohjeet. ten ja ohjeiden laiminlyönnistä voi seurata sähköisku, tulipalo ja/tai vakava loukkaantuminen.

Säästä kaikki varoitukset ja ohjeet tulevaa käyttöä varten.

NAULAIMEN TURVALLISUUSVAROITUKSET

- **Oleta aina, että laitteessa on kiinnikkeitä.** Naulaimen huolimattomasta käsittelystä voi seurata kiinnikkeiden odottamaton laukeaminen ja loukkaantuminen.
- **Älä osoita laitetta itseäsi tai ketään lähellä olevaa kohden.** Odottamaton laukaisu ampuu kiinnikkeen ja aiheuttaa loukkaantumisen.
- **Älä käynnistä laitetta, ellei sitä pidellä tukevasti kiinni työkappaleessa.** Jos laite ei ole kosketuksissa työkappaleeseen, kiinnike saattaa kääntyä pois kohteesta.
- **Irrota laite pistorasiasta, jos kiinnike jumittuu laitteeseen.** Kun irrotat jumittunutta kiinnikettä, naulain voi aktivoitua vahingossa, jos se on kytketty pistorasiaan.
- **Ole varovainen irrottaessasi jumittunutta kiinnikettä.** Mekanismi saattaa olla paineistettu, ja kiinnike voi sinkoutua ulos kun sitä yritetään irrottaa sen jumittuuta.
- **Älä käytä tätä naulainta sähköjohtojen kiinnitykseen.** Sitä ei ole suunniteltu sähköjohtojen asennukseen, ja se voi vioittaa sähköjohtojen eristystä ja aiheuttaa siten sähköiskun ja tulipalon vaaran.

- Muita turvallisuusvaroituksia
- Pidä aina mielessä, että tämän laitteen väärinkäyttö ja virheellinen käsittely voi aiheuttaa loukkaantumisen itsellesi tai muille.
- Laite on suunniteltu käytettäväksi yhdellä kädellä. Tuotetta saa pidellä vain kahvasta. Pidä toinen käsi poissa työalueelta ja irti tuotteesta. Älä laita päätäsi tai muita ruumiinosia lähelle tuotetta naulaamisen aikana välttyäksesi vakavalta vammalta.
- Varmista aina, että työkappaleen kontakti sijaitsee täysin kiinnitettävän materiaalin yläpuolella. Työkappaleen kontaktin sijoittaminen osittain kiinnitettävän materiaalin päälle voi aiheuttaa sen, että naula menee materiaalin ohi ja aiheuttaa vakavan vamman.
- Älä iske nauloja materiaalin reunan lähelle. Työkappale saattaa haljeta, jolloin naula voi kimmota, vahingoittaen käyttäjää tai työtoveria. Muista, että naula saattaa seurata puun syitä, joten se voi yllättäen tulla ulos työmateriaalin sivulta tai poiketa suunnasta ja aiheuttaa loukkaantumisen.
- Kiinnitä työkappale tarvittaessa puristimilla, jotta kädet ja keho pysyvät turvassa. Varmista, että materiaali on kiinnitetty kunnolla, ennen kuin painat työkappaleen kontaktin materiaalia vasten. Naulaaminen saattaa saada materiaalin siirtymään odottamatta.
- Pidä kasvat ja keho kaukana laitteen kannen takaosasta työskennellessäsi ahtaassa tilassa. Äkillinen takapotku voi kohdistua kehoon erityisesti naulattaessa kovaa tai tiivistä materiaalia.
- Normaalikäytössä laite palautuu välittömistä kiinnikkeen iskemisen jälkeen. Älä yritä estää takapotkua pitämällä naulainta työkappaleita vasten. Palautumisen rajoittaminen voi johtaa siihen, että naulaimesta iskeytyy toinenkin kiinnike. Ota tukevasti kiinni kahvasta, alla laitteen tehdä työt äläkä koskaan aseta toista kättä laitteen päälle tai poistoaukon lähelle. Tämän varoituksen laiminlyönnistä voi seurata vakava loukkaantuminen.
- Älä iske kiinnikkeitä muiden kiinnikkeiden päälle tai siten, että laite olisi liian jyrkässä kulmassa, sillä kiinnikkeet voivat tällöin vaihtaa suuntaa ja aiheuttaa loukkaantumisen.
- Tarkista aina työalue pölyssä olevien johtojen, kaasuputkien, vesiputkien jne. varalta ennen kuin käytät tuotetta alueella.
- Käytettyäsi tuotetta kontaktikäynnistystilassa kytke se takaisin täyteen sarjatilaa.
- Naulaussyvyys voidaan säätää vaadittua syvyyttä suuremmaksi. Suosittelemme, että tarkistat naulan syvyyden hukkapalalla, määrittääksesi syvyyden ja säätääksesi sitä tarvittaessa.
- Tämän laitteen kanssa saa käyttää ainoastaan kiinnikkeitä, jotka vastaavat tuotteen taulukon kuvausta.



Väärien kiinnikkeiden käyttö johtaa jumittumiseen tai muuhun vikatoimintaan.

- Älä valitse kontaktitilaa työskennellessäsi rakennustelineillä, tikkailla tai alustalla, jossa sinun on vaihdettava asentoa. Saatat vahingossa laukaista naulan koskettamalla työkalua liikkuessasi, jos olet valinnut kontaktitilan. Kun liikut, valitse täysi sarjatilaa tai poista tuote täysin käytöstä irrottamalla akku. Tämä pienentää loukkaantumisaavaa itsellesi ja muille.

SYVYYDENSÄÄDÖN TURVALLISUUSVAROITUKSET

- Irrota akku aina ennen käyttöpyörän syvyyden säätämistä.
- Älä vedä säätöpyörää taaksepäin; pyörä on suunniteltu käännettäväksi.
- Älä paina liipaisinta säätäessäsi käyttöpyörän syvyyttä.
- Valitse aina täysi sarjatilaa ennen iskun syvyyden säätöä.
- Älä osoita laitetta itseäsi tai ketään lähellä olevaa kohden säätäessäsi iskun syvyyttä.

LISÄÄ AKUN TURVALLISUUSVAROITUKSIA

⚠ VAROITUS

Jotta vältetään lyhytsulun aiheuttama tulipalon, loukkaantumisen tai tuotteen vahingoittumisen vaara, älä koskaan upota työkalua, vaihtoakkuja tai latauslaitetta nesteeseen ja huolehdi siitä, ettei mitään nesteitä pääse tunkeutumaan laitteiden tai akkujen sisään. Syövyttävät tai sähköä johtavat nesteet, kuten suolavesi, tietyt kemikaalit ja lalkaisuaineet tai valkaisuaineita sisältävät tuotteet voivat aiheuttaa lyhytsulun.

LITIUMAKKUJEN KULJETTAMINEN

Kuljeta akkua paikallisten ja kansallisten ehtojen ja säädösten mukaisesti.

Noudata kaikkia pakkaamista ja nimeämistä koskevia erikoissäädöksiä, kun kolmas osapuoli kuljettaa akkuja. Varmista, että mikään akku ei kosketa muita akkuja tai johtavaa materiaalia kuljetuksen aikana suojaamalla paljaat navat eristävillä, johtamattomilla korkeilla tai teipillä. Älä kuljeta akkuja, jotka ovat halkeilleet tai vuotavat. Kysy välitysiyritykseltä lisäneuvoja.

KÄYTÖN RISKIT

Vaikka tuotetta käytettäisiin ohjeiden mukaisesti, ei ole mahdollista täysin eliminoida tiettyjä käyttöön liittyviä riskitekijöitä. Käytössä voi aiheutua seuraavia vaaroja, ja käyttäjän tulee kiinnittää erityistä huomiota niiden välttämiseen:

- Kuulovamma

- **Huom:** Käytä aina tehokkaita kuulosuojaimia ja rajoita melulle altistumista.
- Silmävauriot aiheutuen virheellisesti naulatuista nauloista tai lentävästä pölystä ja roskista.
- **Huom:** Käytä aina sopivia suojalaseja.
- Tärinän aiheuttama vamma
- **Huom:** Pitele laitetta kahvoista ja rajoita tärinälle altistumista. Katso kohta Riskien Vähentäminen.
- Viiltohaavat kosketuksesta terävien kärkien kanssa.
- **Huom:** Ole erittäin varovainen käsitellessäsi ja ladatessasi nauloja.
- Tuote on painava.
Huom: Tuote on painava. Varo lihasrasitusta käyttäessäsi tuotetta pitkiä aikoja, erityisesti pään yläpuolella.

RISKIEN VÄHENTÄMINEN

Raporttien mukaan käsityökalujen tärinä voi joidenkin kohdalla myötävaikuttaa Raynaudin oireen ilmenemiseen. Oireita ovat pistely, turtuus ja sormien kalpeneminen, yleensä kylmässä ilmassa. Perinnölliset tekijät, kylmyys ja kosteus, ruokavalio, tupakointi sekä työtavat voivat kaikki myötävaikuttaa näiden oireiden ilmenemiseen. Käyttäjä voi ehkäistä tärinän aiheuttamia vaikutuksia seuraavasti:

- Pidä itsesi lämpimänä kylmällä säällä. Käytä laitteen käytön aikana käsineitä, jotta kätesi ja ranteesi pysyvät lämpöisinä. Raporttien mukaan kylmä ilma on tärkeä tekijä Raynaud's Syndromen (Raunaudin oireiden) ilmenemisessä.
- Harjoita kunkin käyttöjakson jälkeen liikuntaa, jotta verenkierto lisääntyi.
- Pidä työn aikana säännöllisesti taukoja. Rajoita päivittäisen tärinän määrä.

Jos mitään yllä mainittuja oireita ilmenee, lopeta heti laitteen käyttö ja kerro oireista lääkäriille.

⚠ VAROITUS

Laitteen pitkittynyt käyttö voi aiheuttaa tai vaikeuttaa vammoja. Kun käytät mitä tahansa laitetta pitkiä aikoja, muista pitää säännöllisiä taukoja.

TUNNE TUOTTEESI

Katso sivu 105.

1. Laukaisutilanvalinta
2. LED-valoliipaisin
3. Kahva, eristetty tartuntapinta
4. Ilmanpaineen säätönappi
5. Naulan syvyyssäätöpyörä
6. Jumittuman vapautusvipu
7. Työkappalekontakti-laukaisin



8. Naulamäärän tarkistusikkuna
9. Lipas
10. Lippaan liukusalpa
11. Laukaisuliipaisin
12. Vyöklipsi
13. Akkutila

HUOLTO

VAROITUS

Tuotetta ei tule koskaan kytkeä pistorasiaan osia koottaessa, säätöjä tehtäessä, puhdistettaessa, huollon aikana tai kun tuotetta ei aiota käyttää. Tuotteen irrottaminen pistorasiasta estää sitä käynnistymättä vahingossa, jolloin välttyään mahdollisilta vakavilta vammoilta.

- Huollossa tulee käyttää ainoastaan identtisiä varaosia. Muunlaisten osien käyttö voi aiheuttaa vaaran tai vioittaa laitetta.
- Älä puhdistu muoviosia luottimilla. Suurin osa muoveista ei siedä markkinoilla olevia määrättyjä liuotteita, jotka vahingoittavat niitä. Käytä puhdasta riepua lian, pölyn jne. puhdistukseen.
- Älä koskaan päästä jarrunesteitä, bensiiniä, öljytuotteita, läpäiseviä öljyjä tms. kosketuksiin muoviosien kanssa. Nämä kemialliset aineet voivat vaurioittaa, heikentää tai tuhota muovin.
- Käytä aina sähkölaitetta käyttäessäsi tai pölyä puhaltaessasi suojalaseja, joissa on sivusuojaimet. Käytä lisäksi pölynaamaria, jos työ on pölyistä.
- Jotta laite toimisi turvallisesti ja luotettavasti, kaikki korjaukset tulee antaa valtuutetun huoltopisteen hoidettavaksi.

VOITELU

Tuotteen laitteen laakerit on voideltu laitteen eliniäksi normaaliolosuhteissa riittävällä määrällä korkealaatuista voiteluainetta. Tästä syystä työkalu ei kaipaa lisävoitelua.

Älä voitele nauloja, naulalipasta tai iskumekanismia. Pidä puhtaana.

YMPÄRISTÖNSUOJELU



Älä hävitä raaka-aineita jätteinä vaan vie ne kierrätykseen. Ympäristönsuojelun kannalta työkalu, lisäva r usteet ja pakkausmateriaali on lajiteltava.

SYMBOLIT



Turvallisuusvaroitus



Todistus CE-sääntöjen noudattamisesta



EurAsian-vaatimustenmukaisuusmerkki



Ukrainalainen säädöstenmukaisuusmerkintä



Lue käyttöohjeet



LED-työvalot



Syvyydensäätö



Täysi sarjakäynnistys



Kontaktikäynnistys



Käytöstä poistettavia sähkölaitteita ei pidä hävittää talousjätteiden mukana. Ne on mahdollisuuksien mukaan pantava kiertoon. Kierrätysohjeita antavat kunnan viranomaiset ja vähittäiskauppiat.

TÄMÄN KÄSIKIRJAN KUVAKE



Huom



Vinkki



LED-valo



Syvä uppoama



Matala uppoama



Liitä akku



Maksimimomentti



Vääntömomentti, vähimmäismäärä

Seuraavat signaalisanat ja merkitykset on tarkoitettu selittämään tähän tuotteeseen liittyviä riskin tasoja.

VAARA

Ilmoittaa välittömästä vaaratilanteesta, joka saattaa aiheuttaa kuoleman tai vakavan vamman.

VAROITUS

Ilmoittaa mahdollisesta vaaratilanteesta, joka saattaa aiheuttaa kuoleman tai vakavan vamman.

VAROITUS

Ilmoittaa mahdollisesta vaaratilanteesta, joka saattaa aiheuttaa pienen tai kohtalaisen vamman.

VAROITUS

(Ilman varoitusmerkkiä) Tilanne, joka voi aiheuttaa materiaalista vahinkoa.



Sikkerhet, ytelse og driftssikkerhet er gitt topp prioritet i konstruksjonen av din spikerpistol.

TILTENKT BRUK

Denne spikerpistolen skal kun brukes av voksne som har lest og forstått anvisningene og advarslene i denne brukermanualen og som kan anses å være ansvarlige for sine handlinger.

Spikerpistolen skal brukes til å skyte spikre inn i tre eller lignende myke materialer, der spikeren skytes inn fra et magasin med båndede spiker i passende størrelse. Spikrene som kan lades trygt inn i magasinet til dette produktet er beskrevet i tabellen med produktspesifikasjoner i denne brukermanualen. Ikke bruk andre typer spiker eller annet i spikerpistolen. Må ikke brukes i kontaktmodus når man jobber på et stillas, en stige eller annen plattform der det er nødvendig å endre arbeidsstilling. I dette tilfellet må kun innstilling for enkeltskudd brukes. Spikerpistolen må ikke brukes for å feste strømledninger.

Ikke bruk produktet på noe annen måte enn det som er beskrevet som tiltenkt bruk.

⚠ ADVARSEL

Les alle sikkerhetsadvarslene og alle instruksjonene.

Dersom man ikke holder seg til advarslene og instruksjoner kan det føre til elektrisk støt, brann og/eller alvorlig personskade.

Ta vare på alle advarsler og anvisninger for senere bruk.

STIFTER SIKKERHETSADVARSLER

- Sjekk alltid om verktøyet er fylt med stifter. Uforsiktig håndtering av stifteren kan føre til utilsiktet utskyting av klemmer og personskader
- Ikke pek med verktøyet mot deg selv eller noen andre i nærheten. Uventet aktivering vil utlade stifteren og kan føre til personskader.
- Ikke utløst verktøyet hvis ikke verktøyet er godt presset mot emne. Dersom verktøyet ikke er i kontakt med emne, kan stiften skli unna tilstøtstedet.
- Koble verktøyet fra strømtilførselen når stifteren er klemt fast i verktøyet. Når du flytter på en fastklemt stift, kan stiftmaskinen utilsiktet bli aktivert hvis den er pluggert i.
- Vær forsiktig når du løsner en fastklemt stift. Mekanismen kan være under trykk og stifteren kan utlades med stor kraft mens man prøver å deblukkere det som er klemt.
- Ikke bruk stiftmaskinen for å feste strømledninger. Verktøyet er ikke ment til festing av strøminstallasjoner og kan skade isolasjonen på strømkablene og dermed føre til elektrisk støt eller brannfare.
- Spesielle sikkerhetsadvarsler
- Vær klar over at misbruk og feilbruk av dette utstyret kan føre til skade på deg selv og andre.
- Verktøyet er tiltenkt for bruk med en hånd. Produktet må kun holdes i arbeidshåndtaket. Hold den andre hånden langt unna arbeidsområde og spikerpistolen. Ikke sett hode ditt eller andre kroppsdeler nær produktet når du kjører spikrene inn for å unngå alvorlig personskade.
- Påse alltid at kontakttuppen alltid er i full kontakt med materialet som skal spikres. Dersom kontakttuppen kun delvis ligger inntil materialet, kan det føre til at spikeren bommer på materialet og føre til alvorlig personskade.
- Ikke kjør stifter inn nær materialkanten. Materialet kan splintre og føre til at stiften spretter tilbake og kan skade deg eller dine medarbeidere. Vær oppmerksom på at stiften kan følge treetes struktur slik at det plutselig kommer ut fra siden av treet eller bøyer av og fører til personskader.
- Hold emne på plass med klemmer hvis nødvendig for å holde hender og kroppen unna potensiell fare. Påse at materialet som skal festes er sikret godt før du trykker kontakttuppen inntil. Når spikeren kjøres inn kan det føre til at materialet sklir unna uventet.
- Hold ansikt og kroppsdeler unna bakdelen av verktøyheften når du jobber i små rom. Plutselig tilbakeslag kan føre til støt mot kroppen, spesielt når man stifter inn i hardt og tett materiale.
- Ved vanlig bruk av verktøyet, vil dette trekke seg tilbake så snart stiften er festet. Ikke prøv å hindre tilbaketrekkingen ved å holde stifteren mot emne. Å hindre tilbaketrekkingen kan føre til at en ny stift kjøres ut av stifteren. Hold godt fast i håndtaket, la verktøyet utføre jobben og sett aldri den andre hånden på toppen av verktøyet eller nær utgangen. Hvis denne advarselen ikke følges, kan det føre til alvorlig personskade.
- Ikke kjøre stifter inn i toppen av andre klemmer eller at stifteren er i en slik skrå vinkel at dette kan føre til at stifter sklir unna og skader personer.
- Sjekk alltid der du skal jobbe om det finnes skjulte ledninger, gassrør, vannrør osv. før du bruker verktøyet på dette stedet.
- Etter at du har brukt produktet i enkel kontaktmodus, skru tilbake til kontinuerlig driftsmodus.
- Spikerdybden kan justeres etter behov. Det anbefales at man sjekker spikerdybden på en liten prøvebit for å bestemme - og ved behov justere - hvor dypt spikeren skal kjøres inn.
- Kun stifter som er i samsvar med beskrivelsen på produktspesifikasjonene skal brukes med dette verktøyet. Bruk av feil stifter kan føre til at stifter blir fastklemt eller andre feilfunksjoner.
- Ikke bruk modusen med kontakttupp når du jobber



på et stillas, en stige eller annen plattform der det er nødvendig å endre arbeidsstilling. Det kan hende at du utilsiktet skyter ut en spiker på grunn av at kontaktmodusen utløses utilsiktet mens du flytter deg rundt. Når du flytter deg, velg seriell skyting eller deaktivert produktet helt ved å fjerne batteriet. Slik minsker du faren for å skade deg selv eller andre.

DYBDEJUSTERING SIKKERHETSADVARSLER

- Fjern alltid batteriet før du justerer dybden på drillhjulet.
- Ikke trekk tilbake justeringshjulet for det er laget for å bli rotet.
- Ikke trykk utløseren når du justerer dybden på drivhjulet.
- Velg alltid full kontinuerlig drift før du justerer dybden på drillen.
- Ikke pek med verktøyet mot deg selv eller noen andre i nærheten når du justerer dybden.

EKSTRA ADVARSLER FOR BATTERISIKKERHET

⚠ ADVARSEL

For å unngå fare for en brann forårsaket av en kortslutning, av personskader eller skader av produktet, må det forhindres at batteripakken eller laderen dyppes i væsker og også sørges for at ingen væsker kan komme inn i apparatene eller batteriene. Korroderende og ledende væsker som saltvann, visse kjemikalier og blekemidler eller produkt som inneholder blekemidler kan forårsake en kortslutning.

TRANSPORTERE LITIUM-BATTERIER

Transporter batteriet i samsvar med lokale og nasjonale forskrifter og bestemmelser.

Følg alle spesielle krav når det gjelder pakking og merking når tredje part skal transportere batteriene. Pass på at batteriene ikke kan komme i kontakt med andre batterier eller ledende materialer når de transporteres ved at du beskytter åpne koblinger med isolerende, ikkeledende hetteler eller tape. Ikke transportert batterier som har sprekker eller lekket. Sjekk med transportfirmaet for ytterligere råd.

GJENVÆRENDE RISIKO

Også når produktet brukes som beskrevet, er det ikke mulig å utelukke risiko for brukere eller personer i nærheten. Følgende farer kan oppstå ved bruk og operatøren bør være spesielt oppmerksom på å unngå/sikre følgende:

- Hørselskader
Nb: Bruk alltid effektivt hørselvern og begrenset eksponeringen for støy.
- Fare for øyeskade på grunn av feil bruk av spikerpistolen eller oppvirket støv og smuss.

Nb: Bruk alltid passende øyevern.

- Personskader pga. vibrasjon
Nb: Hold verktøyet i håndtakene og begrenset eksponeringen for vibrasjon. Se "Farereduksjon".
- Kutt forårsaket ved kontakt med skarpe spisser.
Nb: Vær ekstra forsiktig når du håndterer og fyller på spiker.
- Dette produktet er tungt.
Nb: Dette produktet er tungt. Vær oppmerksom på muskelbelastningen når du bruker produkter i lengre tidsperioder, spesielt når du jobber høyt.

FAREREDUKSJON

Det har blitt rapportert at vibrasjonene fra håndholdt verktøy kan bidra til en tilstand som heter Raynauds syndrom hos enkelte. Symptomene kan omfatte følelsesløshet og gjøre fingrene bleke, vanligvis synlig ved eksponering til lave temperaturer. Arvelige faktorer, eksponering mot lave temperaturer og fuktighet, diett, røyking og arbeidspraksis blir alle ansett for å kunne bidra til å utvikle disse symptomene. Brukeren kan iverksette tiltak for mulig å redusere virkningene av vibrasjonene:

- Hold kroppen din varm i kaldt vær. Bruk hansker og hold hender og vrister varme ved bruk av gressklipperen. Det er rapportert at kaldt vær er en viktig faktor som bidrar til Raynauds Syndrome.
- Etter hver arbeidsperiode bør det utføres øvelser for å øke blodsirkulasjonen.
- Ta ofte pauser fra arbeidet som utføres. Begrens mengden av eksponering pr. dag.

Hvis du opplever noen av symptomene på denne tilstanden må du øyeblikkelig avbryte arbeidet og oppsøke en lege med disse symptomene.

⚠ ADVARSEL

Skader kan oppstå eller forsterkes ved forlenget bruk av et verktøy. Når du bruker et verktøy over en lenger tidsperiode, husk å ta regelmessige pauser.

KJENN DITT PRODUKT

Se side 105.

1. Utskytingsvelger
2. LED-lys utløser
3. Arbeidshåndtak, isolert gripeoverflate
4. Luftrykkjustering
5. Justeringshjul spikerdybde
6. Utløser for fastklemt spiker
7. Kontaktstopp
8. Spiker fyllnivå
9. Magasin
10. Magasinlås



11. Utløserknapp
12. Beltefeste
13. Batteridør

VEDLIKEHOLD**⚠ ADVARSEL**

Produktet skal aldri kobles til en strømforsyning mens du monterer på deler, gjør justeringer, rengjør, utfører vedlikehold eller når produktet ikke er i bruk. Ved å koble fra produktet hindrer man utilsiktet start som kan forårsake alvorlig personskade.

- Når vedlikehold utføres, må kun identiske reservedeler brukes. Bruk av andre deler kan skape fare eller føre til skade på produktet.
- Unngå bruk av løsemidler når du rengjør plastdelene. De fleste plastmaterialene kan skades ved bruk av løsningsmidlene som fås i handelen. Bruk en ren klut til å tørke bort smuss, støv osv.
- Du må aldri la bremsevæske, drivstoff, petroleumsbaserte produkter, rustopløsende olje osv. komme i kontakt med plastikkdeler. Slike kjemiske produkter inneholder stoffer som kan skade, svekke eller ødelegge plasten.
- Bruk alltid vernebriller eller sikkerhetsbriller med sidebeskyttelse ved bruk av elektrisk verktøy eller når det blåses støv. Hvis arbeidet utløser støv, bruk også en støvmaske.
- For edre sikkerhet og pålitelighet skal alle reparasjoner utføres av et autorisert verksted.

SMØRING

Alle lager i dette produktet skal smøres med en tilstrekkelig mengde med et høyverdig smøremiddel for å sikre lang levetid under normale driftsforhold. Det er derfor unødvendig med tilleggs smøring.

Ikke bruk smøring på stiftene, stiftemagasinet eller utskytingsmekanismen. Hold rent.

MILJØVERN

Resirkuler råmaterialer istedenfor å kaste dem i søppelen. Verktøyet, tilbehørene og emballasjen bør sorteres for miljøvennlig resirkulering.

SYMBOLER

Sikkerhetsadvarsel



CE samsvarserklæring



EurAsian Konformitetstegn



Ukrainsk merke for konformitet



Les brukermanualen



LED arbeidslys



Dybdejustering



Kontinuerlig drift



Kontraktutløsning



Avfall fra elektriske produkter skal ikke kastes sammen med husholdningsavfall. Vennligst resirkulervedeksisterende avfallsbehandlingssted. Undersøk hos dine lokale myndigheter eller forhandler for råd om resirkulering.

SYMBOL I DENNE MANUALEN

Nb



Tips



LED-lys



Dyp inntrengning



Grunn inntrengning



Koble til batteri



Maks dreiemoment



Moment, Minimum

Følgende symboler og betydninger forklarer risikonivået som er assosiert med dette produktet.



⚠ FARE

Indikerer en umiddelbart farlig situasjon, som, dersom den ikke unngås, kan føre til alvorlig personskade eller død.

⚠ ADVARSEL

Indikerer en potensiell farlig situasjon, som, dersom den ikke unngås, kan føre til alvorlig personskade eller død.

⚠ ADVARSEL

Indikerer en potensiell farlig situasjon, som, dersom den ikke unngås, kan føre til mindre eller moderate skader.

ADVARSEL

(Uten sikkerhetssymbol) Indikerer en situasjon som kan resultere i skader på eiendom.



При разработке этого гвоздезабивателя особое внимание уделялось безопасности, производительности и надежности.

НАЗНАЧЕНИЕ

Гвоздезабивателем могут пользоваться только компетентные взрослые, которые прочли инструкции по технике безопасности, осознали опасности, связанные с эксплуатацией изделия, и могут считаться ответственными за свои действия.

Гвоздезабиватель предназначен для забивания гвоздей в древесину и тому подобные мягкие материалы из магазина, содержащего необходимые гвозди. Гвозди, которые могут быть безопасно загружены в магазин изделия, описаны в таблице технических характеристик изделия в данном руководстве. Использование гвоздей и иных крепежных материалов другого типа с данным гвоздезабивателем не допускается. Не используйте изделие в режиме контактного срабатывания при работе на помосте, лестнице или иной платформы, где требуется изменять рабочее положение. В этом случае используйте только режим последовательных ударов. Запрещается использовать гвоздезабиватель для закрепления электрических кабелей.

Используйте устройство строго по назначению, указанному в настоящем руководстве.

⚠ ОСТОРОЖНО

Прочтите все указания и инструкции по технике безопасности. Несоблюдение предостережений и инструкций может привести к поражению электрическим током, возгоранию и/или серьезным травмам.

Сохраните все предупреждения и инструкции для дальнейшего использования.

ПРЕДУПРЕЖДЕНИЯ ПО БЕЗОПАСНОСТИ ПРИ РАБОТЕ С СТЕПЛЕРОМ

- **Всегда имейте в виду, что в инструменте находятся скобы.** Неосторожное обращение со степлером может привести к неправильному вбиванию скоб и несчастным случаям.
- **Не направляйте инструмент на себя или на кого-либо поблизости.** Случайный пуск может привести к выскакиванию скобы и соответственно к травмам.
- **Не запускайте инструмент, пока он не приложен плотно к обрабатываемому объекту.** Если инструмент не находится в контакте с обрабатываемым объектом, скоба может отклониться от цели.
- **Отсоединяйте инструмент от источника питания, когда скоба застревает в инструменте.**
- При извлечении застрявшей скобы, степлер может случайно запуститься, если он включен в розетку.
- **При извлечении застрявшей скобы соблюдайте осторожность.** Механизм может находиться под давлением и скоба может выскочить при попытке устранения неполадки, связанной с ее застреванием.
- **Не используйте степлер для крепления электрического кабеля.** Не предназначен для установок с электрическим кабелем и может привести к повреждению изоляции электрических кабелей, и в результате к поражению электрическим током или опасности возникновения пожара.
- **Дополнительные предупреждения по технике безопасности**
- Всегда помните о том, что неправильное использование или ненадлежащее обслуживание данного агрегата может привести к травмированию не только самого оператора, но и окружающих лиц.
- Инструмент рассчитан для использования в одной руке. Изделие необходимо держать только за ручку управления. Держите другую руку подальше от рабочей зоны и изделия. Во избежание серьезных травм не прислоняйтесь головой или другими частями тела к изделию при забивании гвоздей.
- Всегда следите за тем, что заготовка всей поверхностью касалась закрепляемого материала. Наличие зазора между заготовкой и закрепляемым материалом может привести к тому, что гвоздь пробыет материал насквозь и, как следствие, к получению серьезных травм.
- Не вбивайте скобы близко к краю материала. Обрабатываемый объект может расколоться и привести к рикошетированию скобы, получению травмы вами и товарищами по работе. Учтите, что стержень скобы может проследовать по волокну древесины и неожиданно выйти наружу с боковой части рабочего материала или может отклониться и тем самым, возможно, привести к травме.
- Удерживайте обрабатываемый объект зажимами, берегите руки и тело от возможных повреждений. Прежде чем придавливать заготовку к материалу, убедитесь, что материал, который нужно закрепить, надежно удерживается. Забивание гвоздя может неожиданно привести к сдвигу материала.
- Держите лицо и другие части своего тела вдали от задней части колпака инструмента при работе в закрытых помещениях. Внезапное отскакивание может передать ударную волну на тело, особенно при вбивании скоб в твердый или плотный материал.
- Во время нормальной работы после вбивания скобы инструмент моментально отскакивает. Не пытайтесь предотвратить отскакивание, удерживая степлер



на обрабатываемом объекте. Препятствование отскакиванию может привести к тому, что степлер по инерции вобьет вторую скобу. Держите крепко за рукоятку, дайте инструменту делать свою работу, никогда не кладите вторую руку на верхнюю часть инструмента или рядом с рабочей частью. Несоблюдение данных предупреждений может привести к тяжелым травмам.

- Не вбивайте скобы поверх других скоб или инструментом под очень большим углом, поскольку это может привести к отклонению/прогибу скоб и травмам.
- Перед использованием прибора всегда проверяйте рабочий участок на предмет наличия скрытой электропроводки, газовых линий, водопроводов и т.д.
- После использования прибора в режиме срабатывания контакта переключите его обратно в режим полной последовательности.
- Глубину забивания гвоздей можно отрегулировать. Рекомендуется проверить глубину забивания гвоздей на пробной заготовке, чтобы определить и при необходимости отрегулировать эту глубину.
- С данным инструментом могут использоваться исключительно только те скобы, которые соответствуют указанным в таблице технических характеристик прибору. Использование неподходящих скоб может привести к их застреванию и иным неполадкам.
- Не выбирайте режим контактного срабатывания при работе на помосте, лестнице или платформе, где вам может понадобиться изменить положение вашего тела. Вы можете нечаянно вызвать срабатывание гвоздезабивателя непреднамеренным контактом с заготовкой во время изменения своего положения, если выбран режим контактного срабатывания. При необходимости изменить свое положение выберите режим последовательных ударов или полностью выключите изделие, сняв батарею. Это снизит риск получения травмы оператором и другими лицами.

ПРЕДУПРЕЖДЕНИЯ ПО БЕЗОПАСНОЙ РЕГУЛИРОВКЕ ГЛУБИНЫ

- Перед регулировкой глубины приводного шкива всегда снимайте аккумуляторные батареи.
- Не оттягивайте назад регулировочное колесо, оно предназначено для вращения.
- Не нажимайте на курок при регулировке приводного шкива.
- Перед регулировкой глубины вдвигания всегда выбирайте полный режим последовательного вбивания.

- Не направляйте инструмент на себя или на кого-либо поблизости при регулировке глубины вбивания.

ТРЕБОВАНИЯ БЕЗОПАСНОСТИ ПРИ ИСПОЛЬЗОВАНИИ ДОПОЛНИТЕЛЬНОЙ АККУМУЛЯТОРНОЙ БАТАРЕИ

⚠ ОСТОРОЖНО

Для предотвращения опасности пожара в результате короткого замыкания, травм и повреждения изделия не опускайте инструмент, сменный аккумулятор или зарядное устройство в жидкости и не допускайте попадания жидкостей внутрь устройств или аккумуляторов. Коррозионные и проводящие жидкости, такие как соленый раствор, определенные химикаты, отбеливающие средства или содержащие их продукты, могут привести к короткому замыканию.

ТРАНСПОРТИРОВКА ЛИТIEВЫХ БАТАРЕЙ

Транспортируйте аккумуляторную батарею в соответствии с местными и государственными правилами и положениями.

При транспортировке батарей третьей стороной соблюдайте все специальные требования по упаковке и маркировке. Проверьте, чтобы аккумуляторные батареи не вступали в контакт с другими батареями или проводимыми материалами при транспортировке, для этого защитите оголенные разъемы изоляцией, изолирующими колпачками или лентами. Не переносите батареи с повреждениями или утечками. За дальнейшими консультациями обратитесь в транспортно-экспедиционную компанию.

ОСТАТОЧНЫЕ РИСКИ

Даже когда изделие используют согласно инструкциям, невозможно полностью устранить факторы риска. Следующие опасности могут возникнуть во время его использования, и во избежание их рабочий должен обратить особое внимание на следующее:

- Повреждение слуха
Примечание: Всегда носите средства защиты органов слуха и ограничивайте неблагоприятное воздействие шума.
- Повреждение глаз, вызванное неправильным забиваемыми гвоздями или летящей пылью и мусором.
Примечание: Работайте в надлежащих защитных очках.
- Травмы, вызываемые вибрацией
Примечание: Держите инструмент только за предназначенные для этого ручки и соблюдайте рабочий режим. См "Снижение Риска".



- Раны, вызываемые контактом с острыми предметами.

Примечание: Будьте особенно осторожны при обращении с гвоздями и их загрузке.

- Изделие имеет большой вес.

Примечание: Изделие имеет большой вес. Остерегайтесь растяжения мышц, вызываемого длительной эксплуатацией изделия, особенно если приходится держать его над головой.

СНИЖЕНИЕ РИСКА

Сообщалось, что вибрация ручных электроинструментов у отдельных лиц может способствовать состоянию, которое называется синдром Рейно. К симптомам могут относиться покалывание, онемение и побеление пальцев (как при переохлаждении). Считают, что наследственные факторы, охлаждение и влажность, диета, курение и практический опыт способствуют развитию этих симптомов. Ниже приводятся меры, которые может принять оператор для снижения воздействия вибрации:

- Одевайтесь теплее в холодную погоду. При работе с устройством пользуйтесь перчатками, чтобы руки и запястья были в тепле. Считается, что холодная погода является основным фактором, способствующим возникновению болезни Рейно (Raynaud's Syndrome).
- После каждого этапа работы выполните упражнения для усиления кровообращения.
- Чаще делайте перерывы в работе. Сократите длительность ежедневного пребывания на открытом воздухе.

При появлении каких-либо из указанных симптомов сразу же прекратите работу и обратитесь по их поводу к врачу.

⚠ ОСТОРОЖНО

Продолжительное использование инструмента без перерыва может привести к травмам. При использовании инструмента в течение длительного времени делайте регулярные перерывы.

ИЗУЧИТЕ ИЗДЕЛИЕ

Стр 105.

1. Селектор режима удара
2. Выключатель светодиодного освещения
3. Ручка управления, изолированная поверхность захвата
4. Ручка регулировки давления воздуха
5. Колесо регулировки глубины забивания гвоздей
6. Рычаг разблокировки
7. Контактный пускатель
8. Индикатор малого количества гвоздей

9. Магазин
10. Защелка магазина
11. Кнопка запуска забивания
12. Скоба для ремня
13. Гнездо подключения батареи

ТЕХНИЧЕСКОЕ ОБСЛУЖИВАНИЕ

⚠ ОСТОРОЖНО

Прибор ни в коем случае не должен подсоединяться к источнику питания, когда вы разбираете его компоненты, выполняете регулировку, очистку, проводите техническое обслуживание, или когда прибор не используется. Отсоединение прибора позволит защитить инструмент от случайного запуска, чреватого серьезными физическими травмами.

- При проведении текущего ремонта используйте только идентичные запчасти. Использование других запчастей может представлять опасность или повредить изделия.
- Избегайте использования растворителей во время чистки пластмассовых частей. Многие пластмассы чувствительны к воздействию различных бытовых растворителей и в результате их использования могут разрушиться. Для снятия грязи, пыли и пр. пользуйтесь чистой тряпкой.
- Никогда не допускайте контакта тормозной жидкости, бензина, продуктов на нефтяной основе, пропиточного масла и т. д. с пластмассовыми частями. Эти химикаты содержат вещества, которые могут испортить, ослабить или разрушить пластмассу.
- Всегда надевайте предохранительные или защитные очки с боковыми защитными экранами при работе с данным инструментом или сдувании пыли. Если во время работы образуется много пыли, также надевайте пылезащитную маску.
- Для большей безопасности и надежности все ремонтные работы должны проводиться авторизованным сервисным центром.

СМАЗКА

Все подшипники в изделии смазаны достаточным количеством высокосортной смазки для продолжительной эксплуатации изделия в нормальных рабочих условиях. Поэтому дополнительная смазка не требуется.

Не наносите смазочных материалов на скобы, магазин скоб или приводной механизм. Держите инструмент в чистоте.

**ЗАЩИТА ОКРУЖАЮЩЕЙ СРЕДЫ**

Утилизируйте как сырье, а не выбрасывайте как мусор. Машина, аксессуары и упаковка должны быть отсортированы.

УСЛОВНЫЕ ОБОЗНАЧЕНИЯ

Сигнал опасности



Соответствие требованиям CE



Знак Евразийского Соответствия Сертификат Соответствия № TC RU C-DE.AE11.B.04249 Срок действия Сертификата Соответствия По 20.09.2020 Некоммерческая организация Учреждение сертификации и экспертизы «Сертэкс» 109044 РФ, город Москва, 3-й Крутицкий переулок, дом 11



Украинский знак стандартизации



Прочитайте руководство по эксплуатации



Светодиодные индикаторы работы



Регулировка глубины



Полный последовательный запуск



Срабатывание контакта



Отработанная электротехническая продукция должна уничтожаться вместе с бытовыми отходами. Утилизируйте, если имеется специальное техническое оборудование. По вопросам утилизации проконсультируйтесь с местным органом власти или предприятием розничной торговли.

ЗНАЧКИ, ИСПОЛЬЗУЕМЫЕ В РУКОВОДСТВЕ

Примечание



Совет



Светодиодный индикатор



Глубокое проникновение



Неглубокое проникновение



Подсоедините батарею



Максимальный крутящий момент



Крутящий момент, Минимальный размер

Следующие сигнальные слова и значения предназначены, чтобы объяснить уровни риска, связанного с этим изделием.

⚠ ОПАСНО

Указывает на потенциально опасную ситуацию, которая, если ее не избежать, приведет к летальному исходу или серьезной травме.

⚠ ОСТОРОЖНО

Указывает на потенциально опасную ситуацию, которая, если ее не избежать, может привести к летальному исходу или серьезной травме.

⚠ ВНИМАНИЕ

Указывает на потенциально опасную ситуацию, которая, если ее не избежать, может привести к травме легкой или средней тяжести.

ВНИМАНИЕ

(Без Символа Тревоги Безопасности) Указывает ситуацию, которая может кончиться повреждением собственности.

**Транспортировка:**

Категорически не допускается падение и любые механические воздействия на упаковку при транспортировке.

При разгрузке/погрузке не допускается использование любого вида техники, работающей по принципу зажима упаковки.

Хранение:

Необходимо хранить в сухом месте.

Необходимо хранить вдали от источников повышенных температур и воздействия солнечных лучей.

При хранении необходимо избегать резкого перепада температур.

Хранение без упаковки не допускается.

Не рекомендуется к эксплуатации по истечении 5 лет хранения с даты изготовления без предварительной проверки.

Дата изготовления (код даты) отштампован на поверхности корпуса изделия.

Пример:

W17 Y2015, где Y2015 - год изготовления

W17 – неделя изготовления

Определить месяц изготовления можно согласно приведенной ниже таблице, на примере 2015 года.

Обратите внимание! Количество недель в месяце различается от года в год.

Срок службы изделия:

Срок службы изделия составляет 5 лет.

Месяц	Январь	Февраль	Март	Апрель	Май	Июнь	Июль	Август	Сентябрь	Октябрь	Ноябрь	Декабрь	Год
Неделя	01	05	09	14	18	22	27	31	36	40	44	49	2015
	02	06	10	15	19	23	28	32	37	41	45	50	
	03	07	11	16	20	24	29	33	38	42	46	51	
	04	08	12	17	21	25	30	34	39	43	47	52	
	05	09	13	18	22	26	31	35	40	44	48	53	
		14			27								



W przypadku gwoździarki zwrócono szczególną uwagę na zapewnienie bezpieczeństwa, wysokiej wydajności oraz niezawodności.

PRZEZNACZENIE

Gwoździarka może być używana wyłącznie przez dorosłe osoby, które przeczytały i zrozumiały instrukcje oraz ostrzeżenia podane w tym podręczniku oraz, które mogą odpowiadać za swoje działania.

Gwoździarka jest przeznaczona do wbijania gwoździ w drewno lub podobne miękkie materiały z magazynku zawierającego pasek odpowiednich gwoździ. Gwoździe, które można bezpiecznie ładować do magazynka produktu, są opisane w tabeli specyfikacji produktu w tym podręczniku. Nie używać innych typów gwoździ ani mocowań z gwoździarką. Nie pracować w trybie uruchamiania kontaktowego w przypadku pracy na rusztowaniu, drabinie lub innej platformie, gdzie wymagana jest zmiana pozycji roboczej. W takim przypadku należy wyłącznie używać pełnego trybu sekwencyjnego. Nie wolno używać gwoździarki do mocowania kabli elektrycznych.

Nie należy używać tego produktu niezgodnie z przeznaczeniem.

⚠ OSTRZEŻENIE

Zapoznaj się ze wszystkimi zasadami bezpieczeństwa i instrukcjami. Nieprzestrzeganie instrukcji i zasad bezpieczeństwa zawartych w ostrzeżeniach grozi porażeniem prądem elektrycznym, pożarem lub poważnymi obrażeniami.

Zachowaj wszystkie ostrzeżenia i instrukcje do wykorzystania w przyszłości.

OSTRZEŻENIA BEZPIECZEŃSTWA DOTYCZĄCE GWOŹDZIARKI

- **Zawsze należy zakładać, że narzędzie zawiera elementy mocujące.** Nierozważna obsługa gwoździarki może spowodować przypadkowe wystrzelenie elementów mocujących i w rezultacie obrażenia ciała.
- **Nie kieruj narzędzia w swoją stronę lub w stronę innych osób.** Przewidywane uruchomienie spowoduje wystrzelenie elementu mocującego i obrażenia ciała.
- **Nie uruchamiaj narzędzie, jeśli nie jest ono dobrze dociśnięte do obrabianego materiału.** Jeśli narzędzie nie styka się z obrabianym materiałem, element mocujący może odskoczyć od docelowego miejsca.
- **Odłącz narzędzie od źródła zasilania, gdy element mocujący zablokuje się w narzędziu.** Przy usuwaniu zablokowanego elementu mocującego gwoździarka może być przypadkowo uruchomiona, jeśli jest podłączona.
- **Należy zachować ostrożność podczas usuwania zablokowanego elementu.** Mechanizm może pod ciśnieniem i może dojść do wystrzelenia elementu mocującego podczas próby usunięcia zablokowanego elementu.
- **Nie używaj gwoździarki do mocowania kabli elektrycznych.** Narzędzie nie jest przeznaczone do instalacji kabli elektrycznych i może spowodować uszkodzenia izolacji kabli elektrycznych, powodując porażenie prądem lub pożar.
- **Dodatkowe ostrzeżenia bezpieczeństwa**
- **Należy pamiętać, że niewłaściwe używanie i nieprawidłowa obsługa tego narzędzia mogą spowodować obrażenia ciała użytkownika oraz innych osób.**
- **Narzędzie jest przeznaczone do obsługi jedną ręką.** Produkt można wyłącznie trzymać za uchwyt roboczy. Druga ręka musi znajdować się w bezpiecznej odległości od obszaru roboczego oraz produktu. Nie zbliżać głowy ani innych części ciała do produktu podczas wbijania gwoździ, aby nie dopuścić do poważnego urazu ciała.
- **Zawsze należy dopilnować, aby kontakt obrabianego materiału znajdował się w całości nad mocowanym materiałem.** Ustawienie kontaktu obrabianego materiału częściowo nad mocowanym materiałem może spowodować nietrafienie gwoździem w materiał i w rezultacie poważne urazy ciała.
- **Nie wbijaj gwoździ blisko krawędzi materiału.** Obrabiany materiał może ulec rozszczepieniu powodując odskoczenie gwoździa i w rezultacie powodując obrażenia ciała operatora lub innych osób. Należy pamiętać, że gwoźdź może zmienić kierunek penetracji zgodnie z usłojeniem drewna, nieoczekiwanie wychodząc z boku obrabianego materiału. Może to spowodować obrażenia ciała.
- **Przymocuj obrabiany materiał zaciskami, jeśli jest to konieczne, aby zabezpieczyć ręce i inne części ciała przed urazami.** Należy zapewnić odpowiednie zabezpieczenie mocowanego materiału przed dociśnięciem kontaktu obrabianego materiału do materiału. Wbijanie gwoździ może spowodować nieoczekiwane przesunięcie materiału.
- **Nie zbliżaj twarzy ani części ciała do nasady narzędzia podczas pracy w ograniczonej przestrzeni.** Gwałtowny odrzut może spowodować uderzenie, szczególnie w przypadku pracy z twardym lub gęstym materiałem.
- **Podczas normalnej obsługi narzędzie odskoczy od razu po wprowadzeniu elementu mocującego.** Nie próbuj powstrzymywać odrzutu, dociskając gwoździarkę do obrabianego materiału. Ograniczenie odrzutu może spowodować wyrzut drugiego elementu mocującego z gwoździarki. Chwyć dobrze uchwyt, odczekaj aż narzędzie wykona cykl roboczy i nie umieszczaj drugiej ręki na górze narzędzia ani w pobliżu wylotu.





Zignorowanie tego ostrzeżenia może spowodować poważne obrażenia ciała.

- Nie wbijaj elementów mocujących w inne elementy mocujące ani nie ustawiaj narzędzia pod ostrym kątem, ponieważ może to spowodować odskoczenie elementów mocujących i w rezultacie obrażenia ciała.
- Zawsze przed użyciem produktu należy sprawdzać, czy w miejscu pracy nie ma ukrytych przewodów elektrycznych, gazowych, wodnych itp.
- Po użyciu produktu w trybie kontaktu należy przełączyć go z powrotem w tryb pełnej pracy sekwencyjnej.
- Głębokość wbijania gwoździa może być ustawiona poza wymaganym zakresem. Zalecamy sprawdzanie głębokości wbijania gwoździa na niepotrzebnym kawałku materiału w celu określenia i skorygowania głębokości dla danej aplikacji.
- Jedynie elementy mocujące zgodne z opisem przedstawionym w tabeli ze specyfikacją produktu mogą być używane z tym narzędziem. Stosowanie nieprawidłowych elementów mocujących może spowodować zablokowanie narzędzia lub inne usterki.
- Nie wybierać trybu uruchamiania kontaktowego w przypadku pracy na rusztowaniu, drabinie lub innej platformie, gdzie wymagana jest zmiana pozycji roboczej. Może dojść do przypadkowego wystrzelenia gwoździa na skutek niezamierzonego uruchomienia kontaktu obrabianego materiału przy zmianie położenia, gdy wybrany jest tryb uruchamiania kontaktowego. Przy zmianie pozycji należy wybrać pełną aktywację sekwencyjną lub całkowicie dezaktywować produkt, wyjmując akumulator. Spowoduje to ograniczenie ryzyka urazu ciała operatora oraz innych osób.

OSTRZEŻENIA BEZPIECZEŃSTWA DOTYCZĄCE REGULACJI GŁĘBOKOŚCI

- Zawsze należy wyjmować akumulator przed regulacją kółka wprowadzania.
- Nie odciągaj kółka regulacji – kółko musi obracać się.
- Nie naciskaj spustu podczas regulacji głębokości kółka wprowadzania.
- Zawsze należy ustawiać pełny tryb sekwencyjny wyrzutu przed regulacją głębokości wprowadzenia.
- Nie kieruj narzędzia w swoją stronę lub w stronę innych osób podczas regulacji głębokości wprowadzania.

AKUMULATOR — DODATKOWE OSTRZEŻENIA DOTYCZĄCE BEZPIECZEŃSTWA

⚠ OSTRZEŻENIE

Aby uniknąć niebezpieczeństwa pożaru, obrażeń lub uszkodzeń produktu na skutek zwarcia, nie wolno zanurzać narzędzia, akumulatora wymiennego ani ładowarki w cieczach i należy zatroszczyć się o to, aby do urządzeń i akumulatorów nie dostały się żadne ciecze. Zwarcie spowodować mogą korodujące lub przewodzące ciecze, takie jak woda morska, określone chemikalia i wybielacze lub produkty zawierające wybielacze.

TRANSPORTOWANIE AKUMULATORÓW LITOWYCH

Akumulatory należy transportować zgodnie z lokalnymi i krajowymi przepisami i regulacjami.

Należy postępować zgodnie z wszystkimi specjalnymi wymaganiami dotyczącymi pakowania i etykietowania akumulatorów podczas transportu przez stronę trzecią. Upewnij się, że żadne akumulatory nie zetkną się z innymi akumulatorami lub materiałami przewodzącymi podczas transportu. W tym celu należy zabezpieczyć odkryte złącza nieprzewodzącymi nakładkami izolacyjnymi lub taśmą izolacyjną. Nie należy transportować pękniętych ani nieszczelnych akumulatorów. Szczegółowe porady można uzyskać w firmie spedycyjnej.

RYZYKO ZWIĄZANE Z UŻYTKOWANIEM

Nawet jeśli produkt jest używany zgodnie z zaleceniami, nadal nie jest możliwe wyeliminowanie określonych czynników ryzyka. Następujące zagrożenia mogą wystąpić podczas używania urządzenia i operator powinien zwracać szczególną uwagę na poniższe punkty:

- Uszkodzenie słuchu
Uwaga: Zawsze należy stosować skuteczne środki ochrony uszu oraz ograniczyć narażenie na hałas.
- Urazy oczu spowodowane nieprawidłowo wbitymi gwoździami lub odrzucanym pyłem albo odłamkami.
Uwaga: Zawsze należy nosić odpowiednie okulary ochronne.
- Urazy ciała spowodowane przez wibracje
Uwaga: Należy trzymać urządzenie za odpowiednie uchwyty oraz ograniczyć narażenie na wibracje. Patrz "Ograniczenie Ryzyka".
- Skaleczenia spowodowane kontaktem z ostrymi krawędziami.
Uwaga: Należy zachować szczególną ostrożność podczas obsługi lub ładowania gwoździ.



- Produkt jest ciężki.

Uwaga: Produkt jest ciężki. Należy pamiętać, że długotrwała obsługa produktu, szczególnie w położeniu nad głową, może powodować nadwyrężenie mięśni.

OGRANICZENIE RYZYKA

Znane są przypadki wywołania u niektórych osób objawu Raynauda spowodowanego wibracjami ręcznych narzędzi. Typowe objawy to mrowienie, drętwienie i blednięcie palców, widoczne zwykle po wystawieniu na działanie zimna. Uważa się, że czynniki dziedziczne, wystawienie na działanie zimna i wilgoci, dieta, palenie papierosów i przyjęte zwyczaje przyczyniają się do rozwoju tych objawów. Istnieją środki zaradcze, które może podjąć operator narzędzia, aby zmniejszyć efekt wibracji:

- Zadbaj o niskich temperaturach o ciepłotę własnego ciała, zakładając odpowiednie ubranie. Podczas obsługi urządzenia należy nosić rękawice, aby dłonie i nadgarstki były ciepłe. Wiadomo, że niskie temperatury są główną przyczyną powstawania objawu Raynauda.
- Podczas przerw w pracy należy wykonywać ćwiczenia poprawiające krążenie krwi..
- Podczas pracy robić częste przerwy. Ograniczyć ekspozycję w ciągu dnia.

W razie doświadczenia dowolnego z wymienionych objawów, należy niezwłocznie zaprzestać użytkowania tego urządzenia i skontaktować się z lekarzem.

⚠ OSTRZEŻENIE

Długotrwałe użytkowanie narzędzia może spowodować obrażenia ciała lub nasilić dolegliwości zdrowotne. W przypadku używania narzędzia przed dłuższy czas należy pamiętać o regularnych przerwach.

INFORMACJE O PRODUKCIE

Patrz strona 105.

1. Przełącznik trybu wbijania
2. Włącznik diody
3. Uchwyt roboczy, izolowana powierzchnia chwytana
4. Pokrętko regulacji ciśnienia powietrza
5. Pokrętko regulacji głębokości gwoździ
6. Dźwignia usuwania zatoru
7. Włącznik kontaktowy obrabianego przedmiotu
8. Okienko sygnalizacji niskiego poziomu gwoździ
9. Magazynek
10. Zatrząsk suwakowy magazynka
11. Włącznik uruchamiania wbijania
12. Zaczep do paska
13. Gniazdo akumulatora

KONSERWACJA

⚠ OSTRZEŻENIE

Produkt nigdy nie może być podłączony do źródła zasilania podczas montażu części, regulacji, czyszczenia, konserwacji lub gdy nie jest używany. Odłączenie produktu zapobiegnie przypadkowemu uruchomieniu, które mogłoby spowodować poważne obrażenia ciała.

- Do napraw używać wyłącznie identycznych zamienników. Użycie jakiegokolwiek innej części mogłoby spowodować zagrożenie lub też uszkodzić wasze narzędzie.
- Nie stosować rozpuszczalników do czyszczenia elementów plastikowych. Większość tworzyw sztucznych, mogłyby zostać uszkodzone przez użycie rozpuszczalników dostępnych w sprzedaży. Używajcie czystej szmatki do mycia zabrudzeń, pyłu, itd.
- Nie wolno dopuścić do kontaktu plastikowych części z płynem hamulcowym, benzyną, produktami ropopochodnymi, olejami penetrującymi itp. Substancje te zawierają produkty chemiczne, które mogłyby uszkodzić, osłabić lub zniszczyć plastik.
- Podczas użytkowania elektronarzędzi lub wydmuchiwania pyłu należy zawsze nosić okulary ochronne z osłonami bocznymi. Jeśli wykonywanej pracy towarzyszy powstawanie pyłu, należy również stosować maskę przeciwpyłową.
- Aby zapewnić wyższy poziom bezpieczeństwa i niezawodności, wszystkie naprawy powinny być przeprowadzane przez autoryzowany punkt serwisowy.

SMAROWANIE

Wszystkie łożyska produktu są smarowane przy użyciu odpowiedniej ilości wysokiej jakości smaru na cały okres eksploatacji produktu przy uwzględnieniu normalnych warunków roboczych. W wyniku czego, nie zachodzi potrzeba dodatkowego smarowania.

Nie używaj smarów do smarowania gwoździ, magazynka gwoździ ani mechanizmu wbijania. Utrzymuj narzędzie w czystości.

OCHRONA ŚRODOWISKA



Surowce należy oddawać do powtórnego przetworzenia zamiast wyrzucać je na śmieci. Z myślą o ochronie środowiska, narzędzie, akcesoria i opakowania powinny być sortowane.



SYMBOLE



Uwaga dotycząca bezpieczeństwa



Zgodność CE



Znak zgodności EurAsian



Ukraiński znak zgodności



Przeczytaj instrukcję obsługi



Kontrolki robocze LED



Regulacja głębokości



Tryb pełnej pracy sekwencyjnej



Kontakt



Zużyte produkty elektryczne nie powinny być utylizowane z odpadami domowymi. Prosimy poddawać recyklingowi w odpowiednich miejscach. Informacje o właściwych metodach recyklingu można uzyskać u władz lokalnych lub sprzedawcy.



Maksymalny moment obrotowy



Moment obrotowy, Minimalny rozmiar

Poniższe symbole i nazwy które im nadano, pozwalają wyjaśnić różne poziomy ryzyka związanego z używaniem tego narzędzia.

⚠ NIEBEZPIECZEŃSTWO

Oznacza bezpośrednio niebezpieczną sytuację, która, jeśli nie zostanie uniknięta, spowoduje śmierć lub poważne urazy ciała.

⚠ OSTRZEŻENIE

Oznacza potencjalnie niebezpieczną sytuację, która, jeśli nie zostanie uniknięta, może spowodować śmierć lub poważne urazy ciała.

⚠ UWAGA

Oznacza potencjalnie niebezpieczną sytuację, która, jeśli nie zostanie uniknięta, może spowodować niewielkie lub umiarkowane urazy ciała.

UWAGA

(Bez symbolu bezpieczeństwa) Wskazuje na sytuację mogącą spowodować straty materialne.

IKONY UŻYWANE W TYM PODRĘCZNIKU



Uwaga



Wskazówka



Dioda LED



Głęboka penetracja



Płytkowa penetracja



Podłączyć akumulator



Bezpečnost, výkon a spolehlivost byli hlavní prioritou při návrhu vaší hřebíkovačky.

ZAMÝŠLENÉ POUŽITÍ

Hřebíkovačka je pouze pro používání dospělými osobami, které si přečetly a řádně pochopily pokyny a varování v této příručce a jsou zodpovědné za své konání.

Hřebíkovačka je určena k zavádění hřebíků do dřeva nebo podobných měkkých materiálů ze zásobníku, který obsahuje pás vhodných hřebíků. Hřebíky, které mohou být bezpečně vloženy do zásobníku pro produkt, jsou popsány ve specifikační tabulce produktu v této příručce. Nepoužívejte žádný jiný typ hřebíků nebo upevnění na hřebíkovačce. Nepoužívejte přístroj v režimu kontaktní aktivace při práci na lešení, žebříku nebo jiné plošině, kde je vyžadována změna pracovní polohy. Používejte v tomto případě pouze plně sekvenční režim. Hřebíkovačka by neměla být používána pro upevnění elektrických kabelů.

Nepoužívejte výrobek jinak než je uvedeno v určeném použití.

VAROVÁNÍ

Přečtěte si všechny pokyny a bezpečnostní varování. Nedodržování upozornění a těchto pokynů může vést k úrazu elektrickým proudem, ke vzniku požáru nebo vážnému zranění.

Uchovejte si všechny pokyny a varování pro budoucí nahlédnutí.

BEZPEČNOSTNÍ VAROVÁNÍ K HŘEBÍKOVÉ SBÍJEČCE

- **Vždy předpokládejte, že nástroj obsahuje spony.** Nedbalá obsluha hřebíkové sbíječky může mít za následek neočekávaně nastřelení spon a poranění osob.
- **Nemířte nástrojem na sebe ani nikoho v blízkosti.** Neočekávané spuštění vystřelí sponu – příčina poranění.
- **Nepoužívejte nástroj, dokud není pevně umístěn vůči obrobku.** Není-li nástroj v kontaktu s obrobkem mohou se spony od něj odrážet.
- **Odpojte nástroj od zdroje napájení při zaseknutí spony v nástroji.** Při odstraňování zaseknutých spon se může hřebíková sbíječka náhodně aktivovat, je-li zapojena.
- **Buďte opatrní při odstraňování zaseknuté spony.** Mechanismus může být pod tlakem a spona může být silou vytlačena při pokusu uvolnit blokaci.
- **Nepoužívejte hřebíkovou sbíječku pro přisponkování elektrických kabelů.** Není určeno pro instalaci elektrických kabelů a mohou poškodit izolaci elektrických

kabelů s následkem úrazu elektrinou či požáru.

- **Doplňující bezpečnostní varování**
- **Vždy se vyvarujte nesprávné obsluhy tohoto nástroje, může dojít k poranění vás i ostatních.**
- **Tento výrobek je navržen používání jednou rukou.** Výrobek musí být držen pouze za ovládací rukojeť. Mějte druhou ruku v dostatečné vzdálenosti od pracovního prostoru a produktu. Nepokládejte hlavu nebo jiné části těla blízko produktu při zavádění/nastřelování hřebíků, aby nedošlo k vážnému zranění.
- **Vždy se ujistěte, že kontakt obrobku je zcela umístěn nad upevňovacím materiálem.** Umístění kontaktu obrobku částečně nad upevňovacím materiálem by mohlo způsobit to, že hřebík zcela mine materiál a způsobí vážné zranění.
- **Nenastřelujte hřebíky blízko hran materiálu.** Obrobek se může rozpílit a hřebík odrazit – poranění vás či přihlízejících. Buďte opatrní, hřebík může sjet po letokruhu dřeva, což způsobí neočekávaný výstup z obrobku nebo odchýlení – nebezpečí poranění.
- **Přidržte obrobek svorkami, abyste ochránili ruce a tělo před nebezpečím.** Ujistěte se, že materiál, který má být upevněn je řádně zabezpečen před stisknutím kontaktu obrobku proti materiálu. Zavádění hřebíku může způsobit, že se materiál neočekávaně posune.
- **Udržujte ruce a tělo mimo zadní část víka nástroje při pracích v omezených prostorech.** Náhlé odrazení může vést z zasažení těla, zejména při nastřelování do tvrdého či kompaktního materiálu.
- **Při běžném provozu se nástroj odrazí ihned po nastřelení spony.** Nepokoušejte se bránit odrazení držněním hřebíkové sbíječky proti obrobku. Omezování odrazení může vést k nastřelení druhé spony. Pevně uchopte rukojeť, nechejte nástroj provést práci a nikdy nepokládejte ruku na horní stranu nástroje nebo do blízkosti výstupu. Nedodržení tohoto varování může způsobit vážné osobní poranění.
- **Nenastřelujte sponami na horní stranu dalších spon ani s nástrojem s velmi strmým úhlem, může to způsobit vychýlení spon s následkem zranění.**
- **Vždy kontrolujte pracovní oblast na skryté dráty, vedení plynu, vodovod atd., než zde výrobek použijete.**
- **Po použití produktu v režimu kontaktního ovládání přepněte zpět do sekvenčního režimu.**
- **Hloubku nastřelování hřebíků lze seřadit za vaši požadovanou hloubku.** Je vhodné zkontrolovat hloubku zavádění hřebíku na odpadním kusu a v případě potřeby nastavit hloubku pro danou aplikaci.
- **V nástroji lze používat pouze spony shodné s těmi v tabulce specifikace produktu.** Použití nesprávných spon povede k zaseknutí či jiným selháním.



- Nevybírejte režim kontaktního zavádění při práci na lešení, žebříku nebo plošině, kde je nutné přesunout svou polohu těla. Můžete neúmyslně vystřelit hřebík neúmyslnou aktivací kontaktu obrobku při pohybu, když je zvolen režim kontaktního zavádění. Při změně polohy vyberte plnou sekvenční (postupnou) aktivaci nebo zcela deaktivujte produkt odstraněním akumulátoru. Tím se sníží možnost zranění vás i ostatních.

BEZPEČNOSTNÍ VAROVÁNÍ PRO SEŘÍZENÍ HLOUBKY

- Před seřízením hloubky nastřelovacího kola vyjměte baterii.
- Nezatahujte seřizovací kolo, je navrženo, aby se otáčelo.
- Při seřizování hloubky nastřelovacího kola nemačkejte spoušť.
- Před seřízením hloubky pohonu vždy zvolte plně sekvenční režim nastřelování.
- Nemiňte nástrojem na sebe ani nikoho v blízkosti při seřizování hloubky nastřelování.

DOPLŇUJÍCÍ BEZPEČNOSTNÍ UPOZORNĚNÍ K BATERII

⚠ VAROVÁNÍ

Abyste zabránili nebezpečí požáru způsobeného zkratem, poraněním nebo poškozením výrobku, neponořujte nářadí, výměnnou baterii nebo nabíječku do kapalin a zajistěte, aby do zařízení a akumulátorů nevnikly žádné tekutiny. Korodující nebo vodivé kapaliny, jako je slaná voda, určité chemikálie a bělicí prostředky nebo výrobky, které obsahují bělidlo, mohou způsobit zkrat.

TRANSPORT LITHIOVÝCH BATERÍ

Přenos baterie dle místních a národních opatření a předpisů.

Dodržujte všechny zvláštní požadavky na balení a značení při transportu baterií třetí stranou. Zajistěte, aby žádné baterie nepřišly do kontaktu s jinými bateriemi nebo vodivými materiály při transportu pomocí ochrany nekrytých kontaktů prostřednictvím izolace, nevodivých krytek či lepicích pásek. Nepřepravujte prasklé nebo baterie s unikajícím elektrolytem. Ptejte se u zásilkové společnosti na další radu.

ZBYTKOVÁ RIZIKA

Dokonce, i když se výrobek provozuje jak je předepsáno, je stále nemožné zcela eliminovat veškeré zbytkové rizikové faktory. Následující nebezpečí mohou nastat při používání; vyhněte se:

- Poškození sluchu
Poznámka: Vždy noste vhodnou ochranu sluchu a omezte vystavení hluku.
- Poranění očí způsobené nesprávným zaváděním hřebíků nebo odlétávajícím prachem a nečistotami.
Poznámka: Vždy noste ochranu očí.
- Poranění způsobené vibracemi
Poznámka: Držte nástroj za rukojeť určené a omezte expozici vibracím. Viz "Snížování Rizik".
- Tržné rány způsobené kontaktem s ostrými hroty.
Poznámka: Mimořádnou pozornost věnujte při manipulaci nebo doplňování hřebíků.
- Tento výrobek je těžký.
Poznámka: Tento výrobek je těžký. Dejte si pozor na svalové napětí při provozu výrobku delší dobu, a to zejména, pokud jej používáte nad hlavou.

SNÍŽENÍ RIZIKA

Bylo zjištěno, že vibrace z nástrojů mohou u některých osob přispívat ke stavu tzv Raynaud's Syndrome (Raynaudovu syndromu). Mezi jeho příznaky patří brnění, necitlivost a zbledení prstů, patrně obvykle po pobytu v chladu. Vědci se domnívají, že k rozvinutí těchto příznaků přispívají dědičné faktory, pobyt v chladu a vlhku, strava, kouření a pracovní návyky. Uživatel může omezit případné působení vibrací použitím vhodných opatření:

- Za chladného počasí se teple oblečte. Při práci s nástrojem si navlékněte rukavice, abyste udrželi ruce a zápěstí v teple. Bylo zjištěno, že chladné počasí je hlavním faktorem přispívajícím k Raynaud's Syndrome (Raynaudovu syndromu).
- Během práce si v pravidelných intervalech zacvičte, abyste zvýšili krevní oběh.
- Zařazujte časté pracovní přestávky. Omezte dobu práce za den.

Jakmile pocítíte některý z výše uvedených příznaků tohoto syndromu, okamžitě přerušete práci a vyhledejte lékaře.

⚠ VAROVÁNÍ

Poranění mohou být způsobena, či zhoršena, prodlouženým používáním nástroje. Když používáte jakýkoliv nástroj delší dobu, dělejte pravidelně přestávky.

SEZNAMTE SE S VÝROBKEM

Viz strana 105.

1. Volič režimu zavádění
2. LED světla spouště
3. Provozní rukojeť s izolací a protiskluzovým povrchem
4. Knoflík pro nastavení tlaku vzduchu
5. Regulátor nastavení hloubky hřebíku
6. Páka eliminace zablokování



7. Režim kontaktu obrobku
8. Okénko indikátoru minima hřebíků
9. Zásobník
10. Posuvná západka zásobníku
11. Spoušť kontaktního zavádění
12. Pásková spona
13. Otvor pro baterie

ÚDRŽBA**VAROVÁNÍ**

Výrobek nikdy nepřipojujte ke zdroji napájení, když se montují díly, provádí seřizování, čištění, údržba nebo když se nepoužívá. Odpojením produktu předejdete náhodnému spuštění a tím vážnému osobnímu poranění.

- Při údržbě používejte pouze stejné náhradní díly. Použití jakýchkoliv jiných dílů může vytvořit nebezpečí nebo způsobit poškození výrobku.
- Vyhnete se používání rozpouštědel, když čistíte plastové díly. Většina ředidel běžně dostupných v obchodní síti se nehodí k čištění plastových částí, neboť narušuje povrch plastů. K odstranění nečistot, prachu apod. používejte čistý hadr.
- Nikdy nenechte přijít brzdové kapaliny, petrolej, výrobky založené na petroleji, pronikavé oleje, atd. do kontaktu s plastovými součástmi. Tyto výrobky obsahují chemikálie, které mohou poškodit, oslabit nebo zničit plastové části, případně snížit jejich životnost.
- Vždy noste bezpečnostní brýle nebo bezpečnostní brýle s postranními štítky, když obsluhujete elektricky poháněný nástroj nebo při rozdmýchávání (tvorbě) prachu. Pokud pracujete v prachu, noste také respirátor.
- Pro lepší bezpečnost a bezporuchovost by mělo opravu provádět pověřené autorizované servisní středisko.

MAZÁNÍ

Veškerá ložiska nářadí byla výrobcem namazána dostatečným množstvím vysoce účinného maziva, které stačí na celou dobu životnosti produktu při normálních podmínkách používání. Žádné další mazání nářadí není nutné.

Nepoužívejte maziva na hřebíky, zásobník hřebíků ani nastřelovací mechanismus. Udržujte čisté.

OCHRANA ŽIVOTNÍHO PROSTŘEDÍ

V rámci možností neodhazujte vysloužilé nářadí do domovního odpadu a upřednostněte jeho recyklaci. V souladu s předpisy na ochranu životního prostředí odkládejte vysloužilé nářadí, příslušenství i obalový materiál do tříděného odpadu.

SYMBOLY

Bezpečnostní výstraha



Shoda CE



Euroasijská značka shody



Ukrajinská značka shody



Prostudujte si Návod k použití



LED přisvícení



Seřízení hloubky



Plně sekvenční vládání



Ovládání kontaktu



Odpad elektrických výrobků se nesmí likvidovat v domovním odpadu. Recyklujte prosím na sběrných místech. Ptejte se u místních úřadů nebo prodejce na postup při recyklaci.

IKONA V NÁVODU

Poznámka



Tip



Kontrolka LED



Hluboká průraznost



Mělká průraznost



Připojte baterii.



Maximální utahovací moment



Točivý moment, minimum

Následující signální slova a významy jsou vhodné pro vysvětlení úrovní nebezpečí spojených s tímto výrobkem.

⚠ NEBEZPEČÍ

Upozorňuje na bezprostředně nebezpečnou situaci, která vede k usmrcení nebo těžkému zranění.

⚠ VAROVÁNÍ

Upozorňuje na možnou nebezpečnou situaci, která by mohla vést ke smrtelnému úrazu nebo k závažnému zranění.

⚠ POZOR

Upozorňuje na možnou nebezpečnou situaci, která může vést k menšímu nebo lehkému zranění.

POZOR

(Bez bezpečnostního výstražného symbolu) Určuje situaci, která může mít za následek vážné poškození.



A szögbelövő tervezésekor a biztonság, a teljesítmény és a megbízhatóság voltak a legfontosabb szempontok.

RENDELTETÉSSZERŰ HASZNÁLAT

Ezt a szögbelövet csak felnőttek használhatják, akik elolvasták és megértették a kézikönyvben lévő utasításokat és figyelmeztetéseket, és felelősnek lehet őket tekinteni a tetteikért.

A szögbelövő szögek fába vagy hasonló puha anyagba való beütésére szolgál egy tárból, mely a szalagban tárolt szögeket tartalmaz. A termékhez való, a táriba biztonságosan betölthető szögek a kézikönyvnek a termék műszaki adatait tartalmazó táblázatában vannak ismertetve. Ne használjon a szögbelövővel semmilyen más típusú szöget vagy kötőelemet. Ne működtesse a gépet érintéssel aktiválás üzemmódban, ha emelvényen, létrán vagy más munkaállványon dolgozik, ahol munkapozíció módosítás szükséges. Ebben az esetben csak teljes szekvenciális üzemmódban használja. A szögbelövő nem használható elektromos vezetékek rögzítésére.

Ne használja a terméket a rendeltetésétől eltérő célra.

⚠ FIGYELEM

Olvassa el az összes biztonsági figyelmeztetést és utasítást. A figyelmeztetések és előírások be nem tartása elektromos áramütést, tüzet és/vagy súlyos sérülést eredményezhet.

A jövőbeli felhasználásra őrizze meg az összes figyelmeztetést és útmutatót.

SZÖGBELÖVŐ BIZTONSÁGI FIGYELMEZTETÉSEK

- **Mindig ügyeljen arra, hogy a szerszámgépben legyenek kötőelemek.** A szögbelövő gondatlan kezelése a kötőelemek váratlan kilövését és személyi sérülést okozhat.
- **Ne irányítsa a szerszámot önmagára vagy bárki másra a közelben.** A váratlan kioldás kiveti a kötőelemet, ami sérülést okoz.
- **Ne aktiválja a szerszámgépet, hacsak a szerszámgép nincs erősen hozzányomva a munkadarabhoz.** Ha a gép nem érintkezik a munkadarabbal, a kötőelem eltérhet a céltól.
- **Húzza ki a szerszámgépet a konnektorból, ha a kötőelem beragadt a szerszámgépbe.** A beragadt kötőelem eltávolításakor a szögbelövő véletlenül aktiválódhat, ha csatlakoztatva van.
- **Óvatosan járjon el a beragadt kötőelemek eltávolításakor.** A mechanizmus nyomás alatt lehet és a kötőelem kivételkor egy beragadás megszüntetése során.
- **Ne használja a szögbelövet elektromos vezetékek rögzítésére.** Nem alkalmas elektromos vezetékek felszereléséhez, és károsíthatja az elektromos vezetékek szigetelését, ezáltal áramütést vagy tűzveszélyt okozva.
- **További biztonsági figyelmeztetések**
- **Mindig legyen tudatában annak, hogy a szerszám helytelen használata és kezelése során sérüléseket okozhat önmagának és másoknak.**
- **A szerszám egykezes használatra lett kialakítva.** A termék csak a működtető fogantyúnál fogva tartható. A másik kezét tartsa távol a munkaterülettől és a terméktől. Ne helyezze a fejét vagy más testrészét a termék közelébe szögbelövéskor, hogy elkerülje a súlyos személyi sérülést.
- **Mindig ügyeljen arra, hogy a munkadarab érintkezéssel teljesen a rögzítendő anyag fölött legyen.** Ha a munkadarab érintkező úgy van elhelyezve, hogy csak részben érintkezik a rögzítendő anyaggal, a szög elkerülheti az anyagot, és ez súlyos személyi sérülést eredményezhet.
- **Ne hajtsa be szögeket az anyag élének közelében.** A munkadarab széthasadhat, aminek következtében a szög gellert kaphat, sérülést okozva Önnek vagy munkatársainak. Vegye figyelembe, hogy a szög követheti a fa szemcséit, ami miatt váratlanul kiállhat a munkadarab oldalából vagy esetleg sérülést okozva eltérülhet.
- **Rögzítse a munkadarabot kapcsokkal, ha a kezeit és testét távol szeretné tartani a potenciális veszélyzónától.** Ügyeljen rá, hogy a rögzítendő anyag megfelelően rögzítve legyen, mielőtt a munkadarab érintkezőt hozzányomná az anyaghoz. A szög belövése a munkadarab váratlan elmozdulását okozhatja.
- **Az arcát és a testrészeit tartsa távol a gép fedelének hátuljától, ha kis helyeken dolgozik.** A hirtelen visszarúgás ütést helyez a testre, különösen, ha kemény vagy sűrű anyagot szögel.
- **Normál használat során a szerszám a kötőelem behajtása után azonnal visszarúg.** Ne kísérelje meg elkerülni a visszarúgást a szögbelövények a munkadarabhoz nyomásával. A visszarúgás korlátozása egy második kötőelem behajtását okozhatja a szögbelövből. Erősen fogja meg a fogantyút, és hagyja, hogy a gép végezze el a munkát, soha ne helyezze a másik kezét a szerszámgép tetejére vagy a kilépőnyílás közelébe. Ezen figyelmeztetés figyelmen kívül hagyása súlyos személyi sérülést eredményezhet.
- **Ne hajtsa be kötőelemeket más kötőelemek felett, illetve amikor a szerszám túlságosan meredek szögben van, mert ez a kötőelem elhajlását okozhatja, ami sérülést eredményezhet.**
- **A termék használata előtt mindig ellenőrizze a munkaterületet rejtett vezetékek, gázcsövek,**





vízvezetékek stb. tekintetében.

- A terméket az érintkező aktiválás módban való használat után kapcsolja vissza teljesen szekvenciális módba.
- A szög behajtási mélysége a szükséges mélységre beállítható. Javasolt tesztelni a szög belövési mélységét egy felesleges munkadarabon, hogy meghatározza és, ha szükséges, módosítsa az alkalmazáshoz szükséges mélységet.
- Csak a termék műszaki táblázatán leirtakkal megegyező kötőelemek használhatók a szerszámmal. A nem megfelelő kötőelemek használata beragadáshoz vagy más meghibásodáshoz vezethet.
- Ne válassza ki az érintéses aktiválás üzemmódot, ha emelvényen, létrán vagy munkaállványokon dolgozik, ahol meg kell változtatni a testhelyzetét. Ha az érintéses aktiválás üzemmód van kiválasztva, mozgáskor véletlenül kilóthat egy szöveget a munkadarab érintkező figyelmen kívül hagyásával. Testhelyzet változtatáskor válassza a teljes szekvenciális aktiválást vagy az akkumulátor eltávolításával kapcsolja ki teljesen a terméket. Ezzel csökkenti a saját maga és mások sérülésének kockázatát.

MÉLYSÉGBEÁLLÍTÁS BIZTONSÁGI FIGYELMEZTETÉSEK

- Mindig vegye ki az akkumulátort, mielőtt beállítja hajtókerék mélységét.
- Ne húzza hátra a beállítókeréket, a keréknek forognia kell.
- Ne nyomja be a kioldót a mélységbeállító kerék állítása közben.
- A behajtási mélység beállítása előtt mindig válassza ki a teljesen szekvenciális belövési módot.
- Ne irányítsa a gépet önmagára vagy bárki másra a közelben a behajtási mélység beállításakor.

AZ AKKUMULÁTOR KIEGÉSZÍTŐ BIZTONSÁGI FIGYELMEZTETÉSEI

FIGYELEM

A rövidzárlat általi tűz, sérülések vagy termékkárosodások veszélye elkerülésére ne merítse a szerszámot, a cserélhető akkut vagy a töltőkészüléket folyadékokba, és gondoskodjon arról, hogy ne hatoljanak folyadékok a készülékekbe és az akkukba. A korrozív hatású vagy vezetőképes folyadékok, mint pl. a sós víz, bizonyos vegyi anyagok, fehérítők vagy fehérítő tartalmú termékek, rövidzárlatot okozhatnak.

LÍTIUM AKKUMULÁTOROK SZÁLLÍTÁSA

Az akkumulátorokat a helyi és nemzeti előírásokkal és szabályokkal összhangban szállítsa.

Az elemek külső fél általi szállításakor kövesse a csomagolásra és a címkézésre vonatkozó speciális előírásokat. Ügyeljen arra, hogy az akkumulátorok ne érhessenek más akkumulátorokhoz vagy vezető anyagokhoz szállítás közben; ehhez a szabadon maradt csatlakozókat védje szigetelő fedéllel vagy szalaggal. Ne szállítson repedt vagy szivárgó akkumulátorokat. További információért vegye fel a kapcsolatot a továbbítást végző céggel.

VISSZAMARADÓ KOCKÁZATOK

Még a termék rendeltetésszerű használatára esetén sem lehet teljesen kiküszöbölni minden kockázati tényezőt. A gép használata során a következő veszélyek merülhetnek fel, és a kezelőnek különösen oda kell figyelnie az alábbiak elkerülésére:

- Halláskárosodás
Megjegyzés: Mindig viseljen hatékony fülvédőt, és kerülje a zajnak való kitettséget.
- A helytelen beütött szögek vagy szálló por és hulladékok által okozott szem sérülés.
Megjegyzés: Mindig viseljen megfelelő védőszemüveget.
- Vibráció okozta sérülések
Megjegyzés: A gépet az arra szolgáló fogantyúknál tartsa, és korlátozza a vibrációnak való kitettséget. Lásd "Kockázatsökkentés".
- Az éles pontokkal való érintkezés okozta horzsolások.
Megjegyzés: Nagyon ügyeljen a szögek kezelésekor vagy betöltésekor.
- A termék nehéz.
Megjegyzés: A termék nehéz. Vigyázzon a termék hosszabb idejű használatára, különösen a fej feletti használata okozta izomhúzódástól.

KOCKÁZATCSÖKKENTÉS

Ismert, hogy a kézi szerszámok használata során fellépő vibráció bizonyos személyeknél hozzájárulhat az úgynevezett Raynaud-szindróma (Raynaud's Syndrome) nevű állapot kialakulásához. A tünetei lehetnek: az ujjak zsibbadása, elfehéredése, szúrások érzése, amelyek hidegnek kitéve gyakran felerősödnek. Az öröklődő tényezők, a hidegnek kitettség és verejtékezés, a diéta, a dohányzás és munka közben alkalmazott fogások valószínűleg mind hozzájárulhatnak ezen tünetek megjelenéséhez. A vibráció hatásainak csökkentése érdekében a kezelőnek be kell tartani az alábbi óvintézkedéseket:





- Hideg időben tartsa melegen a testét. A gép használatakor viseljen kesztyűt a kéz és a csukló melegen tartásához. Arról számoltak be, hogy a hideg időjárásnak fontos szerepe van a Raynaud-szindróma kialakulásában.
- Bizonyos időtartamú használat után mindig végezzen gyakorlatokat a vérkeringés javításához.
- Gyakran tartson munkaszünetet. Korlátozza a napi munkaidőt.

Ha ezen állapot bármelyik tünetét tapasztalja, azonnal hagyja abba a munkát, és tájékoztassa az orvosát a tünetekről.

FIGYELEM

A gép hosszabb idejű folyamatos használata sérüléseket okozhat vagy súlyosbíthatja a tüneteket. Ha a gépet hosszú időn át kell használnia, tartson gyakran szünetet.

ISMERJE MEG A TERMÉKET

Lásd a 105. oldalon.

1. Belövés üzemmód választó
2. LED lámpa kioldó
3. Működtető fogantyú, szigetelt fogófelület
4. Légnyomás-szabályozó gomb
5. Szögmélység-beállító kerék
6. Elakadás kioldókar
7. Munkadarab érintkező működtető
8. Kevés szög jelzőablak
9. Tár
10. Tár csúszóretesz
11. Belövés működtető kioldó
12. Óvcsat
13. Akkumulátornyílás

KARBANTARTÁS

FIGYELEM

Alkatrészek szerelésekor, beállítások végzésekor, tisztításakor, karbantartás végzésekor, illetve használaton kívül mindig húzza ki a gépet az elektromos hálózatról. A termék hálózatról történő leválasztása megakadályozza a véletlen bekapcsolódást, ami súlyos sérülést okozhat.

- Szervizeléskor csak azonos cserealkatrészeket használjon. Bármilyen más alkatrész használata veszélyes és a termék károsodását okozhatja.
- A műanyag részek tisztításakor tartózkodjon a tisztítószerek használatától. A kereskedelmi forgalomban kapható oldószerek rongáló hatással vannak a műanyagból készült elemek többségére. A por és egyéb szennyeződések stb. tisztítására használjon egy tiszta ruhadarabot.

- A műanyag részek semmilyen körülmények között nem érintkezhetnek fékolajjal, benzinnel, petróleum alapú termékekkel, beszívódó olajokkal stb. Ezen anyagok olyan vegyületeket tartalmaznak, amelyek károsíthatják, meggyengíthetik vagy tönkretelhetik a műanyagot.
- Elektromos szerszámgépek használatakor vagy a por kifúvásakor mindig viseljen védőszemüveget, ami a szemet oldalról is védi. Ha a használat poros környezetben történik, vegyen fel egy pormaszkot is.
- A nagyobb biztonság és megbízhatóság érdekében minden javítást hivatalos szervizközpontban kell elvégeztetni.

KENÉS

A termékben lévő összes csapágy a termék teljes élettartamára elegendő kenőanyaggal van feltöltve, normál körülmények közötti használat esetén. Ebből kifolyólag nincs szükség arra, hogy a gép belső részeit kenje.

Ne használjon kenőanyagot a szögeken, a szögtáron vagy a behajtó mechanizmuson. Tartsa tisztán.

KÖRNYEZETVÉDELLEM



Segítse elő az alapanyagok újrahasznosítását azzal, hogy nem helyezi el őket a háztartási szemétkosárba. Környezetvédelmi megfontolásból az elhasznált gépet és tartozékokat, valamint a csomagolóanyagokat szelektív módon kell gyűjteni.

SZIMBÓLUMOK



Biztonsági figyelmeztetés



CE megfelelés



Eurázsiai megfelelési jelzés



Ukrainai megfelelési nyilatkozat



Olvassa el a kezelői kézikönyvet



LED munkalámpák



Mélységbeállítás



Teljesen szekvenciális aktiválás



Érintéses aktiválás



A kiselejtezett elektromos termékeket nem szabad a háztartási hulladékkal együtt kidobni. Ezeket újra kell hasznosítani, ha van rá lehetőség. Az újrahasznosítással kapcsolatban érdeklődjön a helyi önkormányzatnál vagy a termék forgalmazójánál.

IKON A KÉZIKÖNYVBEN



Megjegyzés



Hegy



LED lámpa



Mély behatolás



Sekély behatolás



Csatlakoztassa az akkumulátort



Maximális nyomaték



Nyomaték, minimális

A következő jelölőszavak és jelölések arra szolgálnak, hogy megmagyarázzák a termékkel kapcsolatos veszélyességi szinteket:

VESZÉLY

Egy bekövetkező veszélyes helyzetet jelez, ami, ha nem előzik meg, halált vagy komoly sérülést eredményez.

FIGYELEM

Egy potenciálisan bekövetkező veszélyes helyzetet jelez, ami, ha nem előzik meg, halált vagy súlyos sérülést eredményezhet.

VIGYÁZAT

Egy potenciálisan veszélyes helyzetet jelez, ami, ha nem előzik meg, kisebb vagy mérsékelten súlyos sérülést eredményezhet.

VIGYÁZAT

(Biztonsági figyelmeztető szimbólum nélkül) Egy olyan helyzetet jelez, ami anyagi kárt eredményezhet.



Au fost acordate priorități maxime asupra siguranței, performanței și fiabilității în proiectarea pistolului dvs. de bătut cuie.

DOMENIU DE APLICAȚII

Acest pistol de bătut cuie este destinat a fi folosit doar de adulții care au citit și înțeles instrucțiunile și avertizările din acest manual și pot fi considerați responsabili pentru acțiunile lor.

Acest pistol de bătut cuie este destinat pentru baterea cuielor în lemn sau materiale moi similare din cadrul unei magazii conținând o bandă de cuie corespunzătoare. Cuietele ce pot fi în siguranță încărcate în magazia produsului sunt descrise în tabelul cu specificații ale produsului din acest manual. Nu folosiți niciun alt tip de cuie sau elemente de fixare cu pistolul de bătut cuie. Nu operați când este în modul acționare contact când lucrați pe o schelă, scară sau altă platformă unde este necesară o schimbare a poziției de lucru. Folosiți în acest caz doar modul secvențial. Pistolul de bătut cuie nu trebuie folosit pentru fixarea cablurilor electrice.

Nu folosiți produsul în niciun alt fel decât cel menționat pentru folosirea lui destinată.

⚠ AVERTISMENT

Citiți toate avertismentele și instrucțiunile de siguranță. Neurmarea avertizării și instrucțiunilor ar putea cauza electrocutare, incendiu și/sau vătămare gravă.

Salvați toate avertizările și instrucțiunile pentru o consultare ulterioară.

AVERTIZĂRI DE SIGURANȚĂ A PISTOLULUI DE CUIE.

- **Nu folosiți această sculă pentru capsarea cablurilor electrice.** Nu este proiectat pentru instalarea cablurilor electrice și poate deteriora izolarea cablurilor electrice și ca urmare să provoace electrocutare sau pericol de incendiu.
- **AVERTIZĂRI SUPLIMENTARE DE SIGURANȚĂ**
 - Întotdeauna trebuie să fiți conștienți de faptul că utilizarea incorectă și manipularea necorespunzătoare a acestui instrument poate cauza vătămarea dvs. și a altor persoane.
 - Scula este proiectată să fie folosită cu o singură mână. Produsul trebuie ținut doar de mânerul de operare. Țineți cealaltă mână ferită de zona de lucru și de produs. Nu va așezați capul sau alte părți ale corpului lângă produs în timp ce bateți cuietele, pentru a evita vătămarea personală gravă.
 - Asigurați-vă întotdeauna că contactul piesei de lucru este complet poziționată deasupra materialului unde vin aplicate cuietele. Poziționarea piesei de lucru având un contact parțial cu materialul asupra căruia se vor aplica cuietele, poate cauza ratarea completă a cuielor în material și să rezulte în vătămare personală gravă.
 - Nu capsăți capsele pe marginea materialului. Piesa de lucru s-ar putea desprinde cauzând ricoșeul cuiului vătămându-vă pe dvs sau colegul dvs. Fiți atenți întrucât cuiul urmează fibra lemnului cauzând ieșirea sau devierea lui neașteptată pe marginea materialului lemnos, putând cauza vătămare.
 - Țineți piesa de lucru cu cleme atunci când e necesar pentru a vă ține mâinile și corpul ferite de o potențială vătămare. Asigurați-vă că materialul asupra căruia se vor aplica cuietele este fix prins înainte de apăsarea piesei de lucru de material. Baterea cuielor poate face ca materialul să se miște în mod neașteptat.
 - Țineți fața și părțile corpului ferite de capătul sculei atunci când lucrați în zone strâmte. Reculul brusc poate cauza impactul cu corpul, în special când acționați pe materiale dense sau dure.
 - În timpul unei folosiri normale scula va avea un recul imediat ce ați capsat. Nu încercați să preveniți reculul ținând pistolul de cuie/capse contra Limitarea reculului poate cauza ca o a doua capsă să fie împușcată din pistolul de cuie. Țineți ferm mânerul, lăsați scula să-și facă treaba și nu vă puneți niciodată cealaltă mână pe partea de sus a sculei sau lângă evacuare în niciun moment. Neacordarea atenției acestei avertizări poate rezulta în vătămare personală gravă.
 - Nu capsăți capsele una peste alta sau ținând scula la un unghi ascuțit întrucât ar putea cauza devierea capselor ceea ce poate provoca vătămare.
 - Verificați întotdeauna zona de lucru de fire ascunse, țevi de gaz sau de apă etc, înaintea folosirii produsului într-o asemenea zonă de lucru.
- **Întotdeauna presupuneți că scula conține capse.** Manipularea neatentă a pistolului de cuie poate cauza
- **Nu îndreptați scula către dvs sau altă persoană din apropiere.** Apăsarea neașteptată pe trăgaci va descărca cuiul/capsa cauzând o rănire.
- **Nu acționați scula decât dacă este așezată ferm pe piesa de lucru.** Dacă scula nu este în contact cu piesa de lucru, capsă ar putea fi deviată de la ținta ei.
- **Deconectați scula de la priză atunci când capsele se blochează în sculă.** În timp ce îndepărtați o capsă blocată, pistolul de cuie ar putea fi accidental activat dacă este conectat la priză.
- **Folosiți atenție atunci când îndepărtați o capsă blocată.** Mecanismul poate fi sub compresiune iar capsele ar putea fi forțate să se descarce în timp ce încercați să eliberați o situație de blocare.





- După folosirea produsului în modul contact punere în funcțiune, treceți înapoi la modul complet secvențial.
- Adâncimea de pătrundere a cuielor poate fi reglată peste adâncimea de care aveți nevoie. Este recomandabil să verificați adâncimea de pătrundere a cuiului pe un rebut a piesei de lucru pentru a determina și regula, dacă e necesar, adâncimea de aplicare.
- Doar capse ce se potrivesc cu descrierea din tabelul de specificare a produsului pot fi folosite cu această sculă. Folosirea de capse necorespunzătoare ar putea duce la blocare sau altă funcționare defectuoasă.
- Nu selectați când este în modul acționare contact când lucrați pe o scelă, scară sau altă platformă unde este necesară o schimbare a poziției de lucru. S-ar putea să trageți neintenționat un cui prin acționare neglijentă a piesei de lucru atunci când vă mișcați, dacă modul acționare contact este selectat. Atunci când schimbați poziția, selectați activarea completă secvențială sau dezactivați complet produsul prin îndepărtarea acumulatorului. Acest lucru va reduce potențialul unei răniri a dvs. sau a celorlalți.

AVERTIZĂRI DE SIGURANȚĂ A REGLĂRII PROFUNZIMII

- Îndepărtați întotdeauna acumulatorul înaintea reglării profunzimii roții acționante.
- Nu dați înapoi roata de reglare, roata este proiectată să se rotească.
- Nu apăsați trăgaciul atunci când reglați profunzimea roții de acționare.
- Selectați întotdeauna modul de aprindere complet secvențial înaintea reglării adâncimii de înaintare.
- Nu îndreptați scula către dvs sau altă persoană din apropiere atunci când reglați profunzimea acționării.

AVERTISMENTE SUPPLEMENTARE PRIVIND SIGURANȚA LA UTILIZAREA BATERIILOR

▲ AVERTISMENT

Pentru a reduce pericolul unui incendiu și evitarea rănilor sau deteriorarea produsului în urma unui scurtcircuit nu imersați scula, acumulatorul de schimb sau încărcătorul în lichide și asigurați-vă să nu pătrundă lichide în aparate și acumulatori. Lichidele corosive sau cu conductibilitate, precum apa sărată, anumite substanțe chimice și înalbitori sau produse ce conțin înalbitori, pot provoca un scurtcircuit.

TRANSPORTAREA ACUMULATORILOR PE LITIU

Transportați bateria în conformitate cu prevederile și reglementările locale și naționale.

Urmați toate cerințele speciale de pe ambalaj și etichete atunci când transportați acumulatorii la o parte terță. Asigurați-vă că în timpul transportului nicio baterie nu vine în contact cu alte baterii sau materiale conducătoare de electricitate prin protejarea bornelor expuse cu bandă sau capace izolatoare non conducătoare de electricitate. Nu transportați acumulatori ce sunt crăpați sau au scurgeri. Verificați cu compania de transport pentru sfaturi ulterioare.

RISCURI REZIDUALE

Chiar dacă produsul este folosit așa cum este descris, este totuși imposibil să se elimine complet anumiți factori de risc reziduali. Următoarele pericole ar putea apărea în timpul folosirii iar operatorul trebuie să acorde o atenție specială pentru a evita următoarele:

- Deteriorare a auzului
Notă: Purtați întotdeauna protecție eficientă a auzului și limitați expunerea la zgomot.
- Vătămarea ochilor datorată de aplicarea incorectă a cuielor sau a prafului și resturilor produse.
Notă: Purtați întotdeauna protecție corespunzătoare pentru ochi.
- Vătămare cauzată de vibrații.
Notă: Țineți aparatul de mânerul proiectat și limitați expunerea la vibrații. Vezi "Reducerea Riscului"
- Răniri cauzate de contactul cu vârfuri ascuțite.
Notă: Acordați atenție suplimentară când manipulați sau încărcați cuiile.
- Produsul este greu.
Notă: Produsul este greu. Fiți atent la întinderea mușchilor când operați produsul pentru perioade prelungite, în special când folosiți aparatul deasupra capului.

REDUCEREA RISULUI

S-a reținut că virabțiile de la sculele de mână pot contribui la starea numită Sindromul lui Raynaud, la anumite persoane. Simptomele pot include furnicături, amorțeală și albirea degetelor, care apare, de obicei, după expunerea la frig. Factori ereditari, expunerea la frig și umiditate, dieta, fumatul și practicile de muncă contribuie la dezvoltarea acestor simptome. Există măsurător care pot fi efectuate de către operator pentru a reduce efectele de vibrațiilor:

- Păstrați-vă temperatura corporală ridicată pe vreme rece. Când operați unitatea purtați mănuși pentru a vă menține mâinile și încheieturile la căldură. S-a constatat că vremea rece este un factor major care contribuie la sindromul Raynaud.
- După fiecare perioadă de operare, trebuie făcute exerciții pentru a crește circulația sângelui.
- Trebuie făcute pauze la intervale de timp regulate. Limitați expunerea zilnică.



Dacă sunt experimentate oricare dintre simptomele acestei afecțiuni, trebuie întreruptă utilizarea și consultat un medic.

⚠️ AVERTISMENT

Poti fi cauzate, sau agravate vătămări prin folosirea prelungită a sculei. Atunci când folosiți o sculă pentru perioade prelungite, asigurați-vă că luați pauze regulate.

CUNOAȘTEȚI-VĂ PRODUSUL

Vezi pagina 105.

1. Selector mod acționare
2. Lumini LED trăgaci
3. Mâner de operare, suprafață de contact izolată
4. Buton rotativ de reglare a presiunii aerului
5. Rotiță de reglare a adâncimii cuiului.
6. Manetă de eliberare a blocajului
7. Acționare contact piesă de lucru
8. Fereastră indicatoare cuie puține
9. Magazie
10. Clichet de culisare a magaziei
11. Trăgaci acționare baterie cuie
12. Clemă curea
13. Port acumulator

ÎNȚREȚINEREA**⚠️ AVERTISMENT**

Produsul nu trebuie conectat niciodată la priză atunci când asamblați părțile, faceți reglaje, curățați sau faceți întreținerea, sau atunci când produsul nu este folosit. Deconectarea produsului va preveni pornirea accidentală ce poate cauza vătămare gravă.

- Atunci când efectuați proceduri de service, utilizați doar piese de schimb identice. Utilizarea altor piese poate crea situații periculoase sau poate conduce la deteriorarea produsului.
- Evitați utilizarea solvenților atunci când curățați piesele din plastic. Majoritatea materialelor plastice pot să fie deteriorate prin utilizarea unor solvenți vânduți în comerț. Utilizați o cârpă curată pentru a curăța murdăriile, praful etc.
- Nu lăsați niciun moment ca lichidele de frână, produsele pe bază de petrol, uleiurile penetrante etc să intre în contact cu părțile din plastic. Aceste produse chimice conțin substanțe care pot afecta, slăbi sau distruge plasticul.
- Atunci când operați scula electrică sau când îndepărtați praful, purtați întotdeauna ochelari de protecție sau ochelari de protecție cu apărători laterale. Dacă mediu de lucru este plin de praf, purtați întotdeauna o mască împotriva prafului.

- Pentru o mai mare siguranță și încredere, toate reparațiile trebuie să fie îndeplinite la un centru service autorizat.

LUBRIFIEREA

Toți rulmenții din interiorul produsului sunt lubrifiați cu o cantitate suficientă de lubrifianț de calitate înaltă pentru durata produsului în condiții normale de folosire. În consecință, nici o ungere suplimentară nu este necesară.

Nu folosiți lubrifianți pe cui, încărcătorul de cui sau pe mecanismul de acționare. Păstrați curat.

PROTECȚIA MEDIULUI ÎNCONJURĂTOR

Reciclați materiile prime în loc să le aruncați la gunoi, împreună cu deșeurile menajere. Pentru a proteja mediul înconjurător, mașina, accesoriile acesteia și ambalajele trebuie triate.

SIMBOLURI

Alertă de siguranță



Conformitate CE



Marcaj de conformitate EurAsian



Semn de conformitate ucrainean



Citiți manualul de operare



Becuri LED de funcționare



Reglare profunzime



Acționare complet secvențială



Contact punere în funcțiune



Deșeurile produselor electrice nu trebuie să fie înlăturate împreună cu deșeurile casnice. Vă rugăm să reciclați acolo unde există facilități. Verificați la autoritatea dvs locală sau la vânzător pentru sfaturi privind reciclarea.



PICTOGRAMĂ ÎN ACEST MANUAL



Notă



Sfat



Lumină LED



Străpungere adâncă



Străpungere fără adâncime



Conectați bateria



Cuplu maxim



Cuplu, minimă

Rmătoarele cuvinte simbol și înțelesul lor au intenția de a explica nivelele de risc asociate cu acest produs.

PERICOL

Indică o situație imediată de pericol, care dacă nu este evitată va rezulta în deces sau rănire gravă.

AVERTISMENT

Indică o situație potențială de pericol, care dacă nu este evitată poate rezulta în deces sau rănire gravă.

PRECAUȚIE

Indică o situație potențial periculoasă, care dacă nu este eviată, poate rezulta în vătămare minoră sau moderată.

PRECAUȚIE

(Fără simbol de alertă de siguranță) Indică o situație ce poate rezulta în distrugerea proprietății.



Izstrādājot šo naglotāju īpaša uzmanība veltīta drošībai, veikspējai un uzticamībai.

PAREDZĒTĀ LIETOŠANA

Šo naglotāju drīkst lietot tikai pieaugušie, kuri ir izlasījuši un sapratuši šīs rokasgrāmatas norādījumus un brīdinājumus un kuri spēj atbildēt par savu rīcību.

Naglotājs ir paredzēts naglu iedzišanai kokā vai līdzīgā mīkstā materiālā, aptverē ir piemērotas naglas. Šīs rokasgrāmatas preces specifikācijas tabulā ir aprakstīts, kādas naglas var droši ievietot aptverē. Neizmantojiet cita veida naglas vai stiprinājumu ar naglotāju. Nedarbiniēt kontakta režīmā, darbojoties uz sastatnēm, kāpnēm vai cita veida platformas, kurā nepieciešama darba pozīcijas maiņa. Šajā gadījumā izmantojiet tikai secīgo režīmu. Naglotāju nevajadzētu izmantot elektrisko kabeļu stiprināšanā.

Neizmantojiet ierīci citiem mērķiem, bet tikai tam paredzētajiem.

⚠ BRĪDINĀJUMS

Izlasiet visus drošības brīdinājumus un visas instrukcijas. Brīdinājumu un instrukciju neievērošana var izraisīt elektrošoku, aizdegšanos un/vai nopietnus ievainojumus.

Visus brīdinājumus un norādījumus saglabājiet turpmākām uziņām.

NAGLOTĀJA DROŠĪBAS BRĪDINĀJUMI

- **Vienmēr atcerieties, ka instruments satur stiprinātājus.** Neuzmanīga rīcība ar naglotāju var izraisīt neparedzētu stiprinātāju traumu vai traumu.
 - **Nevērsiet instrumentu pret sevi vai kādu tuvumā esošo.** Neparedzēta palaide var izraisīt stiprinātāja darbību un līdz ar to traumu.
 - **Neaktivizējiet instrumentu, ja tas nav stingri novietots pret detaļu.** Ja instruments nesaskaras ar detaļu, stiprinātājs var novirzīties no mērķa.
 - **Ja stiprinātājs iesprūst instrumentā, atvienojiet instrumentu no strāvas avota.** Iznemot iesprūdušu stiprinātāju, naglotājs var tikt nejaushi aktivizēts, ja tas ir ievilkts.
 - **Iznemot iesprūdušu stiprinātāju, rīkojieties piesardzīgi.** Mēģinot likvidēt nosprostojumu, mehānisms var būt zem spiediena un stiprinātājs var tikt izlādēts piespiedu kārtā.
 - **Nelietojiet šo naglotāju elektrības kabeļu stiprināšanai.** Tas nav paredzēts elektrokabeļu uzstādīšanai un var sabojāt elektrokabeļu izolāciju, tādējādi izraisot elektrošoka vai aizdegšanās risku.
- PAPILDU DROŠĪBAS BRĪDINĀJUMI**
- Vienmēr uzmanieties, jo nepareiza šī instrumenta lietošana un neatbilstoša apiešanās var izraisīt ievainojumus jums un citiem.
 - Instruments ir paredzēts izmantošanai ar vienu roku. Preci drīkst turēt tikai aiz roktura. Otrai rokai jābūt pa gabalu no darba zonas un preces. Nenovietojiet savu galvu vai citu ķermeņa daļu pie preces, kamēr iedzenat naglas, lai izvairītos no nopietniem savainojumiem.
 - Vienmēr nodrošiniet, ka apstrādājama materiāls ir pilnībā nostiprināts virs stiprināmā materiāla. Novietojot apstrādājamo materiālu daļēji virs nostiprināmā materiāla, nagla var netrāpīt materiālam un tādējādi radīt nopietnus savainojumus.
 - Nedzeniet naglas pie materiāla malas. Detaļa var sašķelties, izraisot naglas atlēkšanu un traumu jums vai kolēģim. Apzinieties, ka naglas var sekot koksnes šķiedrai, izraisot negaidītu izvīzīšanos no darba materiāla malas vai noliekšanos un, iespējams, traumu.
 - Ja nepieciešams, turiet detaļu aiz skavām, lai rokas un ķermeni pasargātu no iespējamām traumām. Pārliecinieties, ka nostiprināmais materiāls ir pareizi nostiprināts pirms piespiežat apstrādājamo materiālu pret to. Naglas dzišana var radīt materiāla negaidītu pārbīdi.
 - Turiet seju un ķermeņa daļas pa gabalu no rīka vāciņa aizmugures darbojoties ierobežotās zonās. Pēkšņš atsitiens var izraisīt triecienu uz ķermeni, īpaši naglojot cietā vai blīvā materiālā.
 - Normālas lietošanas laikā instrumentam pēc stiprinātāja darbības ir tūlītējs atsitiens. Nemēģiniet novērst atsitienu, turot naglotāju pret darba vietu. Atsitiens ierobežojums var izraisīt otra stiprinājuma atvīzīšanu no naglotāja. Stingri satveriet rokturi, ļaujiet instrumentam veikt darbu un nekad nelieciet otru roku uz instrumenta augšas vai izplūdes tuvumā. Šī brīdinājuma neievērošana var izraisīt nopietnas traumas.
 - Nevirziet stiprinātājus virs citiem stiprinājumiem ja instrumentu pārāk stāvā leņķī, jo tas var izraisīt stiprinātāju novirzi, kas savukārt var izraisīt traumu.
 - Vienmēr pirms izstrādājuma izmantošanas darba zonā pārbaudiet, vai tajā nav, piemēram, slēptu vadu, gāzes līniju vai ūdens līniju.
 - Pēc produkta izmantošanas saskares aktivizēšanas režīmā pārslēdziet to atpakaļ uz pilnas secības režīmu.
 - Naglas dzišanas dziļumu var pielāgot, kā jums nepieciešams. Ieteicams pārbaudīt naglas dzišanas dziļumu uz atgriezuma, lai noteiktu dziļumu un pielāgotu, ja nepieciešams.
 - Ar šo instrumentu var izmantot tikai produkta specifikāciju tabulā ietvertajam aprakstam atbilstošus stiprinātājus. Nepareizu stiprinātāju izmantošana var





izraisīt iesprūšanu vai citas disfunkcijas.

- Neizvēlieties kontakta režīmu, darbojoties uz sastatnēm, kāpnēm vai platformām, kurā nepieciešams pārvietoties. Jūs varat izšaut naglu ar netīšu kustību, kamēr kustaties, ja izvēlēts šis režīms. Kad maināt pozīcijas, atlasiet pilno secīgo aktivizēšanu vai deaktivizējiet precī pilnībā, izņemot akumulatoru. Tas samazinās iespējamus riskus jums un pārējiem.

DZIJUMA REGULĀCIJAS DROŠĪBAS BRĪDINĀJUMI

- Vienmēr izņemiet akumulatoru pirms piedziņas riteņa dzijuma regulēšanas.
- Nevelciet atpakaļ uz regulēšanas riteni, jo ritenis ir paredzēts rotēšanai.
- Regulējot piedziņas dzijumu, nespiediet slēdzi.
- Vienmēr pirms piedziņas dzijuma regulēšanas izvēlieties pilnas secības darbības režīmu.
- Regulējot piedziņas dzijumu, nevērsiet instrumentu pret sevi vai kādu tuvumā esošo.

PAPILDU AKUMULATORU BLOKA DROŠĪBAS BRĪDINĀJUMI

▲ BRĪDINĀJUMS

Lai novērstu īssavienojuma izraisītu aizdegšanās, savainojumu vai produkta bojājuma risku, neiegremdējiet instrumentu, maināmo akumulatoru vai uzlādes ierīci šķidrums un rūpējieties par to, lai ierīcēs un akumulatoros neiekļūtu šķidrums. Koroziju izraisoši vai vadītspējīgi šķidrums, piemēram, sālsūdens, noteiktas ķīmikālijas, balinātāji vai produkti, kas satur balinātājus, var izraisīt īssavienojumu.

LITIJA AKUMULATORU PĀRVADĀŠANA

Pārvadājiet akumulatoru saskaņā ar vietējiem un valsts nosacījumiem un noteikumiem.

Ja akumulatoru pārvadāšanu veic trešā puse, ievērojiet visas īpašās prasības par iepakojšanu un marķēšanu. Transportējot nodrošiniet, lai akumulatori nesaskaras ar citiem akumulatoriem vai vadošiem materiāliem, atsegtos savienotājus aizsargājot ar izolējošiem, nevadošiem vāciņiem vai lenti. Nepārvietojiet akumulatorus, kas ir ieplaisājuši vai ar noplūdi. Konsultējieties ar pārsūtīšanas uzņēmumu.

PALIEKOŠIE RISKI

Pat tad, ja ierīce tiek lietota, kā aprakstīts, joprojām nav iespējams pilnībā novērst atsevišķus riska faktorus. Lietošanas laikā var rasties šādas briesmas un strādniekam īpaša uzmanība jāpievērš šim:

- Dzirdes bojājumi

Piezīme: Vienmēr lietojiet efektīvus dzirdes aizsarglīdzekļus un ierobežojiet trokšņa iedarbību.

- Acu savainojums, kuru izraisījušas nepareizi iedzītas naglas vai lidojoši putekļi un atkritumi.

Piezīme: Vienmēr nēsājiet acu aizsardzību.

- Vibrācijas radīti bojājumi

Piezīme: Turiet instrumentu aiz speciālajiem rokturiem un ierobežojiet vibrācijas iedarbību. Skatīt "Risku Samazināšana".

- Pļūsmi, kurus izraisījusi saskarsme ar asiem punktiem.

Piezīme: Esiet īpaši piesardzīgi darbojoties ar naglām vai ievietojot tās.

- Prece ir smaga.

Piezīme: Prece ir smaga. Atcerieties par muskuļu slodzi, darbinot precī ilgstoši, īpaši izmantojot virs galvas.

RISKA SAMAZINĀŠANA

Ir ziņots, ka rokās turamu preču vibrācijas dažām personām var veicināt „Reino sindromu”. Simptomi var ietvert pirkstu tīnkšķēšanu, nejutīgumu un nobālēšanu, parasti aukstā laikā. Tiek uzskatīts, ka tradicionālie faktori, aukstums un mitrums, uzturs, smēķēšana un darba prakse sekmē šo simptomu attīstību. Operators var veikt pasākumus, lai iespējami samazinātu vibrācijas efektu:

- Aukstā laikā ķermenim jābūt siltam. Darbinot ierīci, nēsājiet cimdus, lai rokas un plaukostas locītavas būtu siltas. Ir pētījumi, ka auksts laiks ir galvenais faktors, kas veicina Reino sindromu.
- Ik pēc laika apturiet darbu un veiciet vingrinājumus, kas uzlabo asins cirkulāciju.
- Strādājot jābūt biežiem pārtraukumiem. Ierobežojiet iedarbības ilgumu dienā.

Ja jūs izjūtat kādu no šiem simptomiem, nekavējoties apturiet ierīces lietošanu un sazinieties ar ārstu par šiem simptomiem.

▲ BRĪDINĀJUMS

Ilgstoša instrumenta lietošana var izraisīt traumas vai pasliktināt veselības stāvokli. Ilgstoši lietojot jebkuru instrumentu, pārlicinieties, ka tiek veikti regulāri pārtraukumi.

IERĪCES IEPAZĪŠANA

Skatīt 105. lpp.

1. Režīma atlasītāja palaišana
2. LED gaismas sprūds
3. Darbības rokturis, izolēta satveršanas virsma
4. Gaisa spiediena pielāgošanas slēdzis
5. Naglas dzijuma pielāgošanas rats
6. Iespējamu atbrīvošanas svira



7. Apstrādājamā materiāla kontakta aktuators
8. Logs, kas parāda, ka palicis maz naglu
9. Aptvere
10. Aptveres uzslidināmās aizbīdnis
11. Sprūda palaišana
12. Jostas klipsis
13. Akumulatora savienojuma ligzda

APKOPE

⚠ BRĪDINĀJUMS

Produktu nekad nedrīkst pievienot barošanas padevei, veicot daļu montāžu, regulēšanu, tīrīšanu vai apkopi, kā arī laikā, kad tas netiek izmantots. Atvienojot produktu, tiek novērsta nejausa ieslēgšanās, kas var izraisīt nopietnu traumu.

- Veicot apkopi, izmantojiet tikai identiskas rezerves daļas. Jebkādi citu detaļu izmantošana var izraisīt bīstamību vai produkta bojājumus.
- Tīrot plastmasas daļas, izvairieties no šķīdinātāju lietošanas. Vairums plastmasu ir jutīgas pret dažāda veida pārdošanā esošajiem šķīdinātājiem un to izmantošanas rezultātā var tikt bojātas. Izmantojiet tīru drānu, lai notīrītu netīrumus, oglekļa putekļus utt.
- Nekādā gadījumā plastmasas daļām neļaujiet nonākt saskarē ar bremžu šķidrums, benzīnu, naftas izstrādājumiem, eļļām ar paaugstinātu mitrināšanas spēju utt. Ķīmikālijas var sabojāt, novājināt vai iznīcināt plastmasas detaļas.
- Elektroinstrumenta darbības vai putekļu pūšanas laikā vienmēr izmantojiet aizsargbrilles vai drošības brilles ar sānu aizsargiem. Ja darbība ir saistīta ar putekļu rašanos, uzlieciet arī putekļu masku.
- Lielākas drošības un uzticamības labad visi remontu jāveic pilnvarotā apkopes centrā.

EĻĻOŠANA

Visi izstrādājuma gultņi tiek eļļoti ar pietiekamu augstas kvalitātes smērvielas daudzumu, lai nodrošinātu produkta kalpošanas laiku normālos lietošanas apstākļos. Tāpēc papildu eļļošana nav nepieciešama.

Nelietojiet smērvielas naglām, naglu nodalījumam vai piedziņas mehānismam. Uzturiet tīru.

VIDES AIZSARDZĪBA



Tā vietā, lai izejmateriālus izmestu atkritumos, nododiet tos otrreizējai pārstrādei. Mašīna, aksesuāri un iepakojums ir jāsašķiro un jānodod videi draudzīgā atkārtotas pārstrādes vietā.

APZĪMĒJUMI



Drošības brīdinājums



CE atbilstība



EurAsian atbilstības marķējums



Ukrainas apstiprinājuma zīme



Izlasiet lietošanas instrukciju



Gaismas diožu darba gaismas



Dziļuma regulācija



Pilnīga secīgā aktivizēšana



Saskares aktivizēšana



Izlietotie elektroprodukti nedrīkst tikt izmesti kopā ar mājāsaimniecības atkritumiem. Lūdzu, nododiet tos attiecīgajās atkār tolas izmantošanas vietās. Sazinieties ar savu vietējo varas pārstāvi vai izplatītāju, lai noskaidrotu, kur iespējama atkārtota pārstrāde.

IKONA ŠAJĀ ROKASGRĀMATĀ



Piezīme



Ieteikums



LED gaisma



Dziļa iespiešanās



Sekla iespiešanās



Pievienojiet akumulatoru



Maksimālais griezes moments



Griezes moments, minimums

Lai izskaidrotu risku, kas saistīti ar izstrādājumu, līmeni, paredzēti šādi norādījuma vārdi un jēdzieni.

⚠ BĪSTAMI

Norāda uz nenovēršami bīstamu situāciju, kas, ja netiks novērsta, izraisīs nāvi vai nopietnus miesas bojājumus.

⚠ BRĪDINĀJUMS

Norāda uz potenciāli bīstamu situāciju, kas, ja netiks novērsta, var izraisīt nāvi vai nopietnus miesas bojājumus.

⚠ UZMANĪBU

Norāda uz potenciāli bīstamu situāciju, kas, ja netiek novērsta, var izraisīt vieglus vai vidējus miesas bojājumus.

UZMANĪBU

(Bez drošības trauksmes simbola), kas norāda, uz situāciju, kas var novest pie īpašuma bojājuma.



Projektuojant vinių kalimo įtaisą, didžiausias prioritetas suteiktas saugai, eksploatacinėms savybėms ir patikimumui.

NAUDOJIMO PASKIRTIS

Šis vinių kalimo įtaisas skirtas naudoti tik suaugusiems, kurie yra perskaitę ir supratę šiame vadove pateiktus nurodymus bei įspėjimus ir gali būti laikomi atsakingi už savo veiksmus.

Vinių kalimo įtaisas skirtas kalti vinis į medieną ar panašias minkštas medžiagas iš apkabos su tinkamų vinių juosta. Vinys, kurias galima saugiai sudėti į įtaiso apkabą, aprašytos šiame vadove, gaminio specifikacijos lentelėje. Į vinių kalimo įtaisą negalima dėti kito tipo vinių ar tvirtinimo elementų. Įtaiso negalima naudoti kontaktinio kalimo režimu dirbant ant pastolių, kopėčių ar kitokios pakyls, kur reikia keisti darbo padėtį. Tokiu atveju įtaisa galima naudoti tik nuoseklaus kalimo režimu. Vinių kalimo įtaiso negalima naudoti elektros laidams tvirtinti.

Gaminį galima naudoti tik pagal paskirtį.

⚠ ĮSPĖJIMAS

Perskaitykite visus saugos įspėjimus ir visą instrukciją. Įspėjimų ir instrukcijų nesilaikymas gali sukelti elektros smūgį, gaisrą ir (ar) sunkius sužeidimus.

Kad tinkamai naudotumėte įrankį, žr. visus perspėjimus ir nurodymus.

VINIŲ KALIMO ĮTAISO SAUGOS PERSPĖJIMAI

- **Jokiu būdu nepamirškite, kad įrankyje įrengti tvirtinamieji elementai.** Nerūpestingai naudojant vinių kalimo įtaisą, gali netikėtai užsiliepsnoti tvirtinamieji elementai ir susižeisti darbuotojai.
 - **Nenukreipkite įrankio į save ar kitą netoliese esantį asmenį.** Netikėtai paspaudus spragtuką, įrankis iššaus tvirtinamąjį elementą ir jūs susižeisite.
 - **Nepaleiskite įrankio, kol jis nėra tvirtai uždėtas ant ruošinio.** Jeigu įrankis nesiliečia su ruošiniu, tvirtinamasis elementas gali deformuotis.
 - **Tvirtinamajam elementui įstrigus įrankyje, atjunkite perforatorių iš maitinimo šaltinio.** Išimant įstrigusį tvirtinamąjį elementą, vinių kalimo įtaisas gali netyčia pasileisti, jei įrankis yra įjungtas į maitinimą.
 - **Būkite atsargūs išimdami įstrigusį tvirtinamąjį elementą.** Mechanizmas gali būti veikiamas spaudimo ir traukiant įstrigusį tvirtinamąjį elementą, jis gali būti iššautas visa jėga.
 - **Vinių kalimo įtaisu netvirtinkite elektros laidų.** Jis nėra skirtas elektros laidų montavimui ir gali pakenkti elektros laidų izoliaciją taip sukeldamas elektros smūgio ar gaisro pavojų.
- PAPILDOMI SAUGOS PERSPĖJIMAI**
- Visada prisiminkite, kad naudojimas ne pagal paskirtį ar netinkamas šio prietaiso naudojimas gali sužeisti jus bei kitus asmenis.
 - Įrankis skirtas naudoti viena ranka. Gaminį reikia laikyti tik paėmus už valdymo rankenos. Kita ranka turi būti atokiai nuo darbo srities ir gaminio. Siekiant išvengti sunkių sužeidimų, kalanti vinis negalima laikyti galvos ar kitų kūno dalių arti gaminio.
 - Ruošinio kontaktinis paviršius turi būti tinkamai padėtas po tvirtinama medžiaga. Ruošinio kontaktinį paviršių padėjus iš dalies virš tvirtinamos medžiagos, vinis gali praspūsti pro tvirtinamą medžiagą ir galima sunkiai susižeisti.
 - Nekalkite vinių prie pat ruošinio krašto. Ruošinyje gali skilti ir vinis atšokti rikošetu, sužalodama dirbantįjį ar pagalbininką. Saugokitės: vinis gali atsitrengti į medienos pluoštą ir netikėtai išlysti pro perforuojamo ruošinio šoną arba deformuotis, tuo sukeldama susižeidimo pavojų.
 - Kai reikia saugotis, nes yra pavojus susižeisti, laikykite ruošinį spaustuvais. Prieš prispaudžiant ruošinį prie tvirtinamos medžiagos, reikia patikrinti, ar tvirtinama medžiaga tinkamai prigludusi. Kalant vinį, tvirtinama medžiaga gali netikėtai pasislinkti.
 - Dirbdami draudžiamose (apribotose) zonose, saugokite veidą ir kūno dalis - būkite atokiai nuo įrankio gaubtuvo galinės dalies. Staigiai atšokęs įtaisas gali suduoti smūgį dirbančiajam - ypač kalant vinis į kietą ar tankią medžiagą.
 - Įprastai naudojant, įrankis atšoksta uždėjus tvirtinamąjį elementą. Nesistenkite užkirsti kelio atatrakai laikydami vinių kalimo įtaisą prispaustą prie ruošinio. Jeigu trukdoma atatrakai, vinių kalimo įtaisas gali iššauti antrą tvirtinamąjį elementą. Tvirtai suimkite rankeną: leiskite įrankiui perforuoti ir joku būdu neuždėkite kitos rankos ant jo ar netoli vinių išstūmimo angos. Nesilaikant šio perspėjimo, galima sunkiai susižeisti.
 - Nedėkite tvirtinamųjų elementų vienas ant kito ar ant įrankio per stačią kampą, nes dėl to gali deformuotis tvirtinamieji elementai ir galite susižeisti.
 - Prieš pradėdami naudoti įrankį, būtinai patikrinkite, ar darbo vietoje nėra nepastebimų laidų, dujotiekio ar vandentiekio linijų ir pan.
 - Panaudoję perforatorių perforavimo funkcijos paleidimo režimu, prijunkite jį atgal į nuoseklaus perforavimo režimą.
 - Vinių įkalimo gylį galima reguliuoti, nustatant didesnę ar mažesnę nei standartinis. Vinių įkalimo gylį patartina nustatyti įkalant bandomąjį vinį į nenaudojamą ruošinio gabaliuką.



- Šį įrankį galima naudoti tik su tvirtinamaisiais elementais, nurodytais gaminio specifikacijose. Naudojant netinkamus tvirtinamuosius elementus, jie gali strigti arba įvykti kiti įrankio veikimo sutrikimai.
- Dirbant ant pastolių, kopėčių ar pakylų, kur reikia keisti kūno padėtį, negalima naudoti įtaiso kontaktinio kalimo režimu. Pasirinkus kontaktinio kalimo režimą, galima netyčia įšauti vinį ne vietoje. Keičiant padėtį, reikia pasirinkti nuoseklaus kalimo režimą arba visiškai atjungti gaminį išimant baterijų paketą. Taip sumažės galimybė susižeisti patiems ir sužeisti kitus.

GYLIO NUSTATYMO SAUGOS PERSPĖJIMAI

- Prieš nustatydami perforavimo ratuko gylį, būtinai nuimkite bateriją.
- Netraukite atgal reguliavimo ratuko: jį reikia sukti.
- Nenuspauskite spragtkuko, kai reguliuojate perforavimo ratuko gylį.
- Prieš nustatydami perforavimo gylį, būtinai pasirinkite nuoseklaus perforavimo režimą.
- Nustatydami perforavimo gylį, nenukreipkite įrankio į save ar kitą netoliese esantį asmenį.

PAPILDOMI AKUMULIATORIAUS SAUGOS ĮSPĖJIMAI

⚠ ĮSPĖJIMAS

Siekdami išvengti trumpojo jungimo sukeliama gaisro pavojaus, sužalojimų arba produkto pažeidimų, neikiškite įrankio, keičiamo akumulatoriaus arba įkroviklio į skysčius ir pasirūpinkite, kad į prietaisus arba akumulatorius nepatektų jokių skysčių. Koroziją sukeliantys arba laidūs skysčiai, pvz., sūrus vanduo, tam tikri chemikalai ir balikliai arba produktai, kurių sudėtyje yra baliklių, gali sukelti trumpąjį jungimą.

LIČIO BATERIJŲ GABENIMAS

Gabenkite bateriją pagal įmonės ir valstybinius reikalavimus ir taisykles.

Gabendama baterijas, trečioji šalis privalo vadovautis ant pakuočių esančių nurodytais specialiaisiais reikalavimais. Pasirūpinkite, kad gabenant baterijos nesusilietų su kitomis baterijomis ar laidžiomis medžiagomis: ant jungiamųjų elementų uždėkite izoliuojančius, nelaidžius apsauginius dangtelius arba šiuos elementus apvyniokite juosta. Negabenkite įtrūkusių ar pratekančių baterijų. Išsamesnio patarimo kreipkitės į gabenanto įmonę.

ŠALUTINIS PAVOJUS

Net naudojant gaminį griežtai pagal paskirtį neįmanoma visiškai atmesti kai kurių liktinių rizikos veiksnių. Būkite

budrūs atlikdami priežiūros ar valymo darbus: po įrankio naudojimo geležtė kurį laiką išlieka įkaitusi.

- Žala klausai
Pastaba: Būtina dėvėti veiksmingas klausos apsaugos priemonės ir riboti buvimą triukšme.
- Akių sužeidimai netinkamai kalant vinis arba dėl pasklidusių dulkių ir nuolaužų.
Pastaba: Būtina dėvėti tinkamą akių apsaugą.
- Vibracijos sukeliama pažeidimai
Pastaba: Įrankį laikyti už specialiai tam skirtų rankenėlių ir riboti buvimą vibracijos poveikio srityje. Žr. "Rizikos Veiksnių Mažinimas".
- Įdrėskimai prisilietus prie aštrių galų.
Pastaba: Imti ar įdėti vinis į apkabą reikia ypač atsargiai.
- Įtaisas sunkus.
Pastaba: Įtaisas sunkus. Ilgą laiką naudojant įtaisą, ypač kalant vinis aukštai, reikia saugotis, kad nepersitemtų raumenys.

RIZIKOS MAŽINIMAS

Pranešama, kad rankinių įrankių keliamos vibracijos kai kuriems asmenims gali paskatinti Reino sindromo vystymąsi. Šios ligos požymiai yra pirštų dilgčiojimas, nutirpimas ir pabalimas, paprastai pasireiškiantis nuo šalčio. Šie simptomai vystosi dėl paveldimų veiksnių, nesisaugant nuo šalčio ir drėgmės, dėl mitybos, rūkymo ir darbo praktikos. Operatorius gali imtis šių priemonių, kurios gali sumažinti vibracijos poveikį:

- Apsirenkite kuo šilčiau šaltu oru. Dirbant šiuo prietaisu mūvėkite pirštines, kad plaštakas ir riešai būtų laikomi šilčiau. Turime pranešimų, kad Raynaud sindromas labiausiai vystosi nuo šalto oro sąlygų.
- po darbo kiekvieną kartą pasportuokite, kad pagerėtų kraujo apytaka;
- dažnai darykite darbo pertraukas. Apribokite darbo laikotarpį per dieną.

Jei jums pasireiškia kokie nors šios būklės simptomai, nedelsdami nutraukite darbą ir kreipkitės į gydytoją.

⚠ ĮSPĖJIMAS

Ilgai naudojant įrankį, galima susižaloti arba pakenkti sveikatai. Ilgiau naudojant įrankius, reikia reguliariai daryti pertraukas.

GERAI IŠMANYKITE APIE GAMINĮ

Žiūrėti 105 psl.

1. Šaudymo režimo rinkiklis
2. LED lempučių jungiklis
3. Valdymo rankena, izoliuotu paviršiumi
4. Oro slėgio reguliavimo galvelė





5. Vinies gylis reguliavimo ratukas
6. Įstrigimo atleidimo svirtas
7. Ruošinio kontaktinio kalimo režimo jungiklis
8. Žemai kalamos vinies indikatorius langelis
9. Apkaba
10. Apkabos slinkimo strektė
11. Šaudymo režimo jungiklis
12. Diržo spaustukas
13. Baterijos gnybtas

PRIEŽIŪRA

⚠️ ĮSPĖJIMAS

Perforatoriaus jokių būdu negalima jungti į maitinimo šaltinį montuojant dalis, reguliuojant, valant, atliekant priežiūros darbus ar jo nenaudojant. Atjungus perforatorių, jis nepasileis atsiktinai: atsiktinai pasileidęs, šis įrankis gali sunkiai sužaloti.

- Sugedusias detales keiskite tik originaliomis atsarginėmis detalėmis. Kitų detalių naudojimas gali sukelti pavojų ar sugadinti įrankį.
- Valydami plastikines detales, nenaudokite tirpiklių. Daugelis plastikų jautrūs įvairių tipų komerciniams tirpikliams ir juos naudojant galima pažeisti plastikines detales. Valydami purvą, anglies dulkes ir kt. naudokite švarią šluostę.
- Stabdžių skysčiai, gazolinas ir benzino produktai, skvarbiosios alyvos ir pan. jokių būdu negali patekti ant plastiko dalių. Juose yra chemikalų, kurie gali sugadinti, pažeisti arba susilpninti plastiką.
- Dirbdami su elektriniu įrankiu ar kai pučiamos dulkės, visada dėvėkite apsauginius akinius ar akinius su šonine apsauga. Jei darbo metu kyla dulkės, taip pat dėvėkite kaukę nuo dulkių.
- Kad būtų saugiau ir patikimiau, visus remonto darbus turi atlikti įgaliotasis techninio aptarnavimo centras.

SUTEPIMAS

Kad įprastomis darbo sąlygomis perforatorius ilgai nesusidėvėtų, visi jo guoliai sutepti reikiamu kiekiu aukštos klasės tepalo. Todėl daugiau jo tepti nebereikia.

Netepkite vinių, vinių kasetės ar perforavimo mechanizmo. Laikyti švarų.

APLINKOS APSAUGA



Žaliavines medžiagas perdirbkite pakartotinai, o ne išmeskite kaip atliekas. Mechanizmas, priedai ir pakuotės turi būti laikomi pakartotinai perdirbti aplinkai nekenksmingu būdu.

ŽENKLAI



Saugos perspėjimas



CE atitikties



„EurAsian“ atitikties ženklas



Ukrainos atitikties ženklas



Skaitykite naudotojo vadovą



Šviesos diodų lemputės



Gylio nustatymas



Nuoseklus perforavimo režimo paleidimas



Perforavimo funkcijos paleidimas



Elektrinių produktų atliekos neturi būti metamos kartu su namų ūkio atliekomis. Prašome perdirbkite jas ten, kur yra tokios perdirbimo bazės. Dėl perdirbimo patarimo kreipkitės į savo vietinę savivaldybę ar pardavėją.

ŽENKLAS ŠIOJE INSTRUKCIJOJE



Pastaba



Galas



Šviesos diodų (LED) lemputė



Gilus įsikverbimas



Negilus įsikverbimas



Akumulatoriaus prijungimas



Maksimali sukimo galia



Sukimo momentas, Mažiausias

Šie signaliniai žodžiai yra skirti nurodyti su prietaiso naudojimu susijusio pavojaus lygį.

PAVOJUS

Rodo grėšiančią pavojingą situaciją, kurios neišvengus galima patirti mirtiną arba sunkų sužalojimą.

ĮSPĖJIMAS

Rodo potencialiai pavojingą situaciją, kurios neišvengus galima patirti mirtiną arba sunkų sužalojimą.

ATSARGIAI

Rodo potencialiai pavojingą situaciją, kurios neišvengus galima patirti nesunkų arba vidutinio sunkumo sužalojimą.

ATSARGIAI

(Be įspėjamojo šauktuko) Reiškia situaciją, kurioje galima sugadinti turą.



Naelapüssi konstrueerimisel on peaeesmärgiks olnud toote ohutus, tootlikkus ja töökindlus.

OTSTARBEKOHANE KASUTAMINE

See naelapüss on ette nähtud kasutamiseks vaid täiskasvanud töötaja poolt, kes on selle kasutusjuhendi juhised ja hoiatused läbi lugenud ja mõistab vastutust nende täitmise eest.

Naelapüss on ette nähtud naelte sisse laskmiseks puitu või sarnasesse pehmesse materjali. Teave naelte kohta, mida saab naelapüssi magasinis ohutult laadida, on esitatud selle kasutusjuhendi tehniliste andmete tabelis. Ärge kasutage selle naelapüssiga mingit muud tüüpi naelu või kinnitusvahendeid. Ärge kasutage kokkupuutega käivituvat režiimi kui töötate tellingul, redelil või muul platvormil, kus on vaja oma tööasendit muuta. Sellisel juhul kasutage ainult pideva järjestikuse naelutamise režiimi. Naelapüss ei ole ette nähtud kasutamiseks elektrikaablite kinnitamiseks.

Ärge kasutage seadet ühelgi muul viisil kui mainitud sihttstarbeks.

⚠ HOIATUS

Lugege kõik ohuhoiatused ja juhised läbi. Hoiatuse ja juhiste eiramise puhul on oht saada elektrilööki või raskeid kehavigastusi ning/või põhjustada tulekahju.

Hoidke kõik hoiatused ja juhised edaspidiseks juhindumiseks alles.

NAELUTI OHUTUSJUHISED

- **Olge alati valmis selleks, et tööriistas on naelad.** Naeluti ettevaatamatu käsitsemine võib põhjustada naelte ootamatut väljapaikumist ja põhjustada sellega kehavigastuse.
- **Ärge suunake tööriista enda või kõrvalseisja suunas.** Ootamatu lülitumine vabastab naeluti ja võib põhjustada kehavigastuse.
- **Ärge lülitage naelutit sisse, enne kui see on tihedalt vastu toorikut.** Kui tööriist ei ole toorikuga kontaktis, võib naeluti kalduda sihtkohast kõrvale.
- **Kui nael jääb kinni, ühendage naeluti toitepinge lahti.** Kinnijäänud naela eemaldamisel võib naeluti ootamatult sisse lülituda kui toitejuhe on pistikupesas.
- **Kinnijäänud naela vabastamisel olge ettevaatlik.** Mehhanism võib olla surve all ja naeluti võib järsult rõhu alt vabaneda, kui püüda kinnijäänud naela vabastada.
- **Ärge kasutage naelutit elektrikaablite kinnitamiseks.** Ei ole ette nähtud elektrikaabli paigaldamiseks ja võib elektrikaabli isolatsiooni vigastada ja sellega põhjustada elektrilööki või tekitada tulekahju.

TÄIENDAVALD OHUTUSJUHISED

- Alati tuleb arvestada sellega, et seadme mittesihtstarbeline ja nõuetevastane kasutamine võib teile ja teistele kehavigastusi põhjustada.
- Naeluti on ette nähtud kasutamiseks ühe käega. Seadet tohib hoida ainult töökaepidemest. Hoidke teine käsi tööpiirkonnast ja seadmest kaugel. Ärge pange naelutamise ajal oma pead ega teisi kehaosi seadme lähedusse, et vältida rasket kehavigastust.
- Alati veenduge, et materjal on täielikult teise naelutatava materjali vastas. Materjali osaline kontakt naelutatava materjaliga võib põhjustada naela möödalasu ja tingida selle tulemusena raske kehavigastuse.
- Ärge lööge naelu materjali serva lähedale. Toorik võib lõheneda ja nael võib välja lennata ning kõrval olevat töötajale kehavigastusi tekitada. Olge ettevaatlik selle suhtes, et nael võib jälgida puidusüüd ja ootamatult välja tulla puitmaterjali küljelt või kõrvale kalduda ja sellega kehavigastuse tekitada.
- Vajaduse korral kinnitage toorik pitskrudeviga, et hoida käsi ja kehaosi vigastumise eest. Enne materjali surumist vastu materjali veenduge, et kinnitatav materjal on kindlalt kinnitatud. Naela löömine võib põhjustada materjali ootamatut liikumahakkamist.
- Töötamisel kitsastes kohtades hoidke nägu ja kehaosad naeluti osadest eemal. Ootamatu käivitumine võib põhjustada kehavigastuse, eriti naelutamisel kõvasse või tihedasse materjali.
- Tavaliselt käivitub tööriist kohe pärast naela sisselaskmist. Ärge püüdke tõkestada käivitat naeluti hoidmisega vastu toorikut. Käivitusotsaku kinnihoidmine võib põhjustada teise naela väljumise naelutist. Hoidke käepidemest kindlalt kinni, laske naelutil teha töötoiming ja ärge pange teist kätt kunagi tööriista alla või väljumisava lähedusse. Selle nõude eiramine võib põhjustada tõsise kehavigastuse.
- Ärge püüdke lüüa naela teise naela pihta või hoidke naelutit tooriku suhtes väikese nurga all, sest see võib põhjustada naela kõrvalekaldumist ja tingida kehavigastuse.
- Kontrollige tööpiirkond enne töö alustamist üle varjatud juhtmete, gaasi- ja veetorustike ning muude trasside suhtes.
- Pärast seadme kasutamist kontaktaktiveerimisrežiimis lülitage see tagasi vahelduvtöö režiimi.
- Naela sisselöögi sügavust saab reguleerida vastavalt nõuetele. Soovitatav on enne kasutamata hakkamist katsetada naela sisselöögi sügavust jäätmetükkidel ja reguleerida sügavust välja vastavalt kinnituskoha vajadusele.
- Naelutil tohib kasutada vaid tehnilistes andmetes mainitud naelu. Valede naelte kasutamine võib põhjustada kinnijäämist või muid tõrkeid.



- Ärge valige kokkupuutega käivituvat režiimi kui töötate tellingutel, redelitel või platvormidel, kus on vaja oma keha tööasendit muuta. Kui on valitud kontaktiga naelutamine, võite ootamatult aktiveerida naelutamise kokkupuutel toorikuga kui end liigutate. Kui vahetate asendeid, valige pidev järjestikune naelutamine või lülitage seade välja aku eemaldamise teel. See vähendab võimaliku kehavigastuse ohtu teil endal ja teistel.

OHUTUSNÕUDEDE SÜGAVUSE REGULEERIMISEL

- Enne löögisügavuse reguleerimist võtke aku alati välja.
- Ärge tõmmake reguleeriketast välja, see on ette nähtud vaid pööramiseks.
- Ärge vajutage tõukuri löögisügavuse reguleerimise ajal päästikule.
- Enne löögisügavuse reguleerimist lülitage seade järjestikuse naelutamise režiimi.
- Tõukuri löögisügavuse reguleerimise ajal ärge suunake tööriista enda või kõrvalseisja suunas.

AKU LISAOHUTUSJUHISED

⚠ HOIATUS

Lühisest põhjustatud tuleohtu, vigastuste või toote kahjustuste vältimiseks ärge kastke tööriista, vahetusakut ega laadimisaset vedelikku ning jälgige, et vedelikke ei tungiks seadmetesse ega akusse. Korrodeeruvad või elektrit juhtivad vedelikud, nagu soolvesi, teatud kemikaalid ja pleegitusained või pleegitusaineid sisaldavad tooted, võivad põhjustada lühist.

LIITUMAKUDE TEISALDAMINE

Akude transportimisel juhinduge kasutuskohas kehtivatest ja riiklikest määrustest ja eeskirjadest.

Akude transportimisel allettevõtjate poolt järgige kõiki spetsiaalseid pakkimise ja tähistamise nõudeid. Veenduge, et akud ei satu kokkupuutesse teiste akude ega voolu juhtivate materjalidega, transportimise ajal kaitske klemme voolu mittejuhtivate isoleerkatete või teibiga. Ärge transportige pragunenud või lekkivaid akusid. Küsige lisateavet transportetevõtelt.

JÄÄKRISKID

Isegi siis, kui seadet kasutatakse kirjeldatud viisil, ei ole võimalik kõrvaldada kõiki jääkriskide mõjureid. Töötamise ajal võivad tekkida järgmised ohud, millele operaator peab pöörama erilist tähelepanu.

- Kuulmise kahjustumine
Märkus: Use siempre protección auditiva eficaz y limite el tiempo de exposición al ruido.

- Valesti löödud naeltest ja lendavast tolmust ning prahist võite saada silmakahjustuse.

Märkus: Kandke alati sobivaid kaitseprille.

- Vibratsioonist põhjustatud kehavigastus
Märkus: Sujete la herramienta mediante los correspondientes mangos y limite su exposición a la vibración. Consulte el apartado "Reducción De Riesgos".

- Teravate ostega kokku puutumisel võite saada nahavigastusi.

Märkus: Olge naelte käsitlemisel ja laadimisel eriti ettevaatlik.

- Seade on väga raske.

Märkus: Seade on väga raske. Kui kasutate seadet pikka aega, eriti pea kohal, olge ettevaatlik, et enda lihaseid mitte üle koormata.

RISKI ALANDAMINE

Teadaolevalt võib käsitööriistade kasutamine põhjustada mõnedel inimestel seisundit, mida nimetakse Raynaud' sündroomiks. Los síntomas pueden incluir hormigueo, entorpecimiento y decoloración de los dedos, generalmente aparentes cuando tiene lugar una exposición al frío. Nende sümptomite puhul tuleb hoiduda külmast ja niiskusest, dieedist ning suitsetamisest ja kasutada õigeid töövõtteid. Vibratsiooni mõju vähendamiseks tuleb rakendada järgmisi abinõusid.

- Külma ilmaga hoidke oma keha soe. Kandke kindaid, et hoida oma käed ja randmed soojad. Uuringud näitavad, et Raynaud's Syndrome ilmneb põhiliselt külma ilmaga.
- Pärast külmas töötamist tehke harjutusi, et verevarustust kiirendada.
- Tehke regulaarselt töövaheaegasid. Piirake tööperioodi pikkust.

Kui ilmnevad haigustunnused, lõpetage kohe töö ja pöörduge arsti poole.

⚠ HOIATUS

Seadme pikaajalisel kasutamisel võite saada kehavigastusi või vigastused võivad süveneda. Seadme kasutamisel pika aja jooksul tuleb teha korralisi vaheaegasid.

ÕPPIGE OMA TOODET TUNDMA

Vt lk 105.

1. Naelutusrežiimi valits
2. LED-märgutule lüliti
3. Isoleeritud haardepinnaga töökaepide
4. Öhurõhu reguleerimise nupp
5. Naelutamissügavuse reguleeriketas
6. Kinnikiilumise vabastamise hoo



7. Materjali kokkupuutekäiviti
8. Alumine naela vaateava
9. Magasin
10. Magasini lükandriiv
11. Naelutamispäästik
12. Vööklamber
13. Aku ühenduspesa

HOOLDUS

HOIATUS

Seade ei tohi mingil juhul olla toitepinge all sel ajal kui kinnitate selle osi, teete reguleerimistoiminguid, puhastate või hooldate seadet ning siis kui seda ei kasutata. Seadme elektrivõrgust lahtiühendamine väldib selle tahtmatu käivitumise, mis võib põhjustada raske kehavigastuse.

- Kasutage teenindamisel ainult täpselt sobivaid varuosi. Muude osade kasutamine võib tekitada ohuolukorra ja põhjustada seadme vigastumise.
- Vältige plastosade puhastamisel lahustite kasutamist. Enamik plaste on tundlikud kaubandusvõrgust saadaolevate lahustite suhtes ja võivad nende mõjul oma omadusi kaotada. Tolmust, õlist, määrdet ja muust mustusest puhastamiseks kasutage puhast riidelappi.
- Ärge laske plastosadel mitte mingil juhul sattuda kokkupuutesse auto pidurivedeliku, bensiini, bensiinipõhiste toodete, immutusõlidega või muude samalaadsete vedelikega. Kemikaalid võivad kahjustada, nõrgendada või hävitada plastiku.
- Töötamisel ja tolmu ärapuhumisel kandke alati silmamaski või küljekaitsetega kaitseprille. Kui töötlemine on tolmune, siis kandke tolumumaski.
- Kõik remonttööd tuleb lasta teha volitatud hoolduskeskuses, et tagada masina ohutus ja töövoime.

MÄÄRIMINE

Kõik selle tööriista laagrid on tehases täidetud piisava hulga kvaliteetse määrdega, mis tagab tavatingimustes nende töövoime kogu kasutusea jooksul. Seetõttu ei ole täiendav määrimine vajalik.

Ärge õlitage naelu, naelamagasini ega löögimehhanismi. Hoidke naeluti puhas.

KESKKONNAKAITSE



Taaskasutage materjale nende jäätmekäitlusse andmise asemel. Masin, selle lisaseadmed ja pakend tuleb jäätmekäitluseks keskkonnasõbralikult sorteerida.

SÜMBOLID



Ouhuoiatus



CE-vastavus



Euraasia vastavusmärk



Ukraina vastavusmärgis



Lugege kasutusjuhend läbi



LED-märgutuli



Sügavuse reguleerimine



Pidev järjestikune naelutamine



Kontaktlülitis



Mittekasutatavaid elektritooteid ei tohi visata olmejäätmete hulka. Vaid tuleb viia vastavasse kogumispunkti. Vajadusel küsige sellekohast nõu oma edasimüüjalt või vastavalt kohaliku omavalitsuse institutsioonilt.

KASUTUSJUHENDIS KASUTATAVAD IKOONID



Märkus



Nõuanne



LED-märgutuli



Süvaläbistamine



Madalläbistamine



Aku ühendamine



Torsioon, máxima



Par mínimo

Järgnevad märguandesõnad ja tähendused on mõeldud selle toote kasutamisega seotud riskitasemete kirjeldamiseks.



OHT.

Osutab ähvardavale ohuolukorrale, mille mittevältimine lõpeb surma või tõsise vigastusega.



HOIATUS

Osutab võimalikule ohuolukorrale, mille mittevältimine võib lõppeda surma või tõsise kehavigastusega.



ETTEVAATUST

Osutab võimalikule ohuolukorrale, mille mittevältimine võib lõppeda väiksemate või mõõdukate kehavigastustega.

ETTEVAATUST

(Ilma ohutussümbolita) Viitab olukorrale, mis võib põhjustada kahjustusi varale.



U razvoju ovog čekića dati su maksimalni prioriteti sigurnosti, performansama i pouzdanosti.

NAMJENA

Čekić je namijenjen za korištenje samo od strane odraslih osoba koje su pročitale i razumiju upute i upozorenja u ovom priručniku te se mogu smatrati odgovornim za svoje radnje.

Čekić je namijenjen za uvođenje čavala u drvo ili slične materijale iz spremnika koji sadrži traku odgovarajućih čavala. Čacli koji se sigurno mogu umetnuti u spremnik proizvoda opisani su u tablici specifikacija proizvoda u ovom priručniku. Nemojte koristiti nikakve druge čavle ili čekić s čavlama. Nemojte raditi u modu pokretanja dok radite na skeli, ljestvama ili drugim platformama, gdje je potrebna promjena radnog položaja. U tom slučaju koristite samo sekvencijalni način rada. Čekić se ne smije koristiti za učvršćivanje električnih kabela.

Nemojte koristiti proizvod na bilo koji drugi način od onog za koji je namijenjen.

⚠ UPOZORENJE

Pročitajte sva sigurnosna upozorenja i sve upute. Nepridržavanje upozorenja i uputa navedenih u nastavku može dovesti do električnog udara, požara i/ili ozbiljnih tjelesnih ozljeda.

Spremite sva upozorenja i upute za buduće korištenje.

SIGURNOSNA UPOZORENJA VEZANO ZA ALAT

- **Uvijek pretpostavite da alat sadrži učvrzne elemente.** Nepažljivo rukovanje alatom može rezultirati neočekivanim ispaljivanjem učvrsnih elemenata i osobnih ozljeda.
 - **Nemojte usmjeravati alat prema sebi ili bilo kome drugome pored vas.** Neočekivano okidanje će isprazniti učvrzne elemente uzrokujući ozljede.
 - **Nemojte aktivirati alat osim ako alat nije čvrsto postavljen na izradak.** Ako alat nije u kontaktu s izratkom, učvrсни element se može odbiti dalje od cilja.
 - **Odspojite alat iz izvora za napajanje kada učvrсни element zaglavljeno.** Kada uklanjate zaglavljeno učvrсни element, uvodnik čavala može se slučajno aktivirati ako se povuče.
 - **Budite oprezni kada pomičete zaglavljeno učvrсни element.** Mehanizam može biti pod tlakom i alat se može prisilno isprazniti tijekom pokušaja odglavlivanja.
 - **Nemojte koristiti ovaj alat za pričvršćivanje električnih kabela.** Nije namijenjen za instalaciju električnih kabela i može oštetiti izolaciju te tako uzrokovati strujni udar ili opasnost od požara.
- DODATNA SIGURNOSNA UPOZORENJA**
- Uvijek imajte na umu da pogrešno i nepravilno rukovanje s ovim alatom može dovesti do vaših i ozljeda drugih.
 - Alat je namijenjen za korištenje s jednom rukom. Proizvod se smije držati samo za ručku. Držite drugu ruku dalje od radnog područja i proizvoda. Kako biste izbjegli ozbiljne osobne ozljede, nemojte postavljati glavu ili druge dijelove tijela pored proizvoda dok uvodite čavle.
 - Uvijek osigurajte da je kontakt izratka potpuno pozicioniran iznad materijala koji se pričvršćuje. Pozicioniranje kontakta izratka samo djelomično iznad materijala koji se pričvršćuje može uzrokovati da čavao potpuno promaši izradak i rezultira ozbiljnim osobnim ozljedama.
 - Nemojte uvoditi čavao pored ruba materijala. Izradak se može razdvojiti uzrokujući odbitak čavla, ozljeđujući vas ili pomagača. Imajte na umu da čavao može slijediti teksturu drveta, uzrokujući da neočekivano probije na strani radnog materijala ili se odbije, s mogućnošću da dođe do ozljede.
 - Držite izradak sa spojnicama kad je to potrebno kako biste ruke i tijelo držali podalje od mogućih ozljeda. Provjerite je li materijal koji se pričvršćuje pravilno pričvršćen prije pritiskanja izratka na materijal. Uvođenje čavla može prouzročiti da se materijal neočekivano pomakne.
 - Držite lice i dijelove tijela dalje od stražnjeg dijela vrha poklopca alata prilikom rada u ograničenim područjima. Iznenadno povlačenje može dovesti do udara u tijelo, posebice kad se ukucava u tvrdi i gusti materijal.
 - Tijekom normalnog korištenja, alat se odmah povrti nakon uvođenja učvrsnog elementa. Nemojte pokušavati potezati učvrсни element držeći alat prema izratku. Ograničenje povlačenja može rezultirati da drugi učvrсни element bude uveden iz alata. Držite ručku čvrsto, pustite alat da radi i ne postavljajte drugu ruku na vrh alata ili pored izlaza. Nepoštivanje ovog upozorenja može dovesti do ozbiljnih osobnih ozljeda.
 - Nemojte uvoditi učvrzne elemente na vrh drugih učvrsnih elemenata ili s alatom pod bilo kojim kutom budući da to može uzrokovati odbijanje učvrsnih elemenata što može uzrokovati ozljede.
 - Uvijek provjerite područje rada za skrivene žice, vodove plina, vodovod idr., prije korištenja proizvoda na takvom radnom području.
 - Nakon korištenja proizvoda u načinu rada aktivacije kontaktom, prebacite ga na uzastopni način rada.
 - Uvodna dubina čavla može se podesiti nakon potrebne dubine. savjetujemo vam da provjerite dubinu uvođenja čavla na na izratku kako biste odredili potrebnu dubinu za primjenu.





- Samo učvršni elementi koji odgovaraju opisu u tablici specifikaciji proizvoda mogu se koristiti s ovim alatom. Korištenje nepravilnih učvršnih elemenata može dovesti do zaglavljenja ili drugih kvarova.
- Nemojte odabrati mod pokretanja dok radite na skeli, ljestvama ili drugim platformama, gdje trebate promijeniti položaj tijela. Možete nehotice ispaliti čavao nenamjernim aktiviranjem izratka dok se krećete okolo. Kada mijenjate položaje, odaberite sekvencijalnu aktivaciju ili isključite potpuno proizvod uklanjanjem baterije. Ovo će smanjiti mogućnost ozljeda vas i ostalih.

SIGURNOSNA UPOZORENJA ZA PODEŠAVANJE DUBINE

- Uvijek uklonite bateriju prije podešavanja dubine uvodnog kotačića.
- Nemojte povlačiti unatrag na kotačiću za podešavanje, kotačić je dizajniran za okretanje.
- Nemojte pritiskati sklopku dok podešavate dubinu uvodnog kotačića.
- Prije podešavanja dubine uvođenja uvijek odaberite način rada uzastopno.
- Nemojte usmjeravati alat prema sebi ili bilo kome drugome pored vas prilikom podešavanja dubine uvođenja.

DODATNA SIGURNOSNA UPOZORENJA ZA BATERIJU

UPOZORENJE

Zbog izbjegavanja opasnosti od požara jednim kratkim spojem, opasnosti od ozljeda ili oštećenja proizvoda, alat, izmjenjivi akumulator ili napravu za punjenje ne uronjavati u tekućine i pobrinite se za to, da u uređaje ili akumulator ne prodiru nikakve tekućine. Korozirajuće ili vodljive tekućine kao slana voda, određene kemikalije i sredstva za bijeljenje ili proizvodi koji sadrže sredstva bijeljenja, mogu prouzročiti kratak spoj.

TRANSPORTIRANJE LITIJUMSKIH BATERIJA

Transportirajte bateriju u skladu s lokalnim i nacionalnim pravilima i zakonima.

Sljedite sve specijalne zahtjeve na pakiranju i naljepnicama prilikom transporta baterije od treće strane. Osigurajte da baterija ne može doći u kontakt s drugim baterijama ili provodnim materijalima tijekom transporta tako da zaštitite izložene priključke s izolacijom, kapticama koje ne provode energiju ili trakom. Nemojte transportirati baterije koje su polomljene ili cure. Provjerite kod kompanije koja transportira za daljnju pomoć.

PREOSTALE OPASNOSTI

Čak i kad je proizvod korišten kao što je prethodno opisano, još uvijek nije moguće potpuno isključiti ostale čimbenike opasnosti. Može doći do sljedećih opasnosti prilikom korištenja i operater mora obratiti posebnu pozornost kako bi izbjegao sljedeće:

- Opasnost po sluh
Napomena: Uvijek nosite učinkovitu zaštitu za sluh i ograničite izloženost buci.
- Može doći do ozljeda oka uzrokovanih netočno uvođenim čavlima ili letećom prašinom i ostacima.
Napomena: Uvijek nosite prikladna zaštitna sredstva za oči.
- Ozljede uzrokovane vibracijom
Napomena: Držite alat za označene ručke i ograničite izlaganje vibraciji. Pogledajte „Smanjenje Opasnosti”.
- Rane uzrokovane dodiranjem s oštrim točkama.
Napomena: Budite osobito pažljivi kada rukujete ili umećete čavle.
- Proizvod je težak.
Napomena: Proizvod je težak. Imajte na umu da naprezete mišice tijekom uporabe proizvoda za dulje vrijeme, pogotovo ako koristite iznad glave.

SMANJENJE OPASNOSTI

Prijavljeno je da vibracije alata kod određenih pojedinaca mogu doprinijeti stanju pod nazivom Raynaud's Syndrome. Simptomi mogu uključivati trnce, ukočenost i bjelinu prstiju, obično uočljivo po izlaganju hladnoći. Smatra se da nasljedne osobine, izlaganje hladnoći i vlazi, dijeta, pušenje i radni postupci pridonose razvoju ovih simptoma. Postoje mjere koje operater može poduzeti kako bi smanjio moguće učinke vibracije:

- Održavajte svoje tijelo toplim u hladnim vremenskim uvjetima. Kad radite s uređajem nosite rukavice kako biste ruke i zglobove održavali toplima. Prijavljeno je da je hladnoća glavni čimbenik koji doprinosi Raynaud's Syndrome.
- Nakon svakog perioda rada vježbajte kako biste povećali cirkulaciju krvi.
- Uzimajte česte stanke u radu. Ograničite količinu izlaganja po danu.

Ako osjetite neke od simptoma ovog stanja, odmah prekinite korištenje i obratite se svome liječniku vezano uz ove simptome.

UPOZORENJE

Ozljede mogu biti uzrokovane ili izazvane produljenim vremenskim razdobljem korištenja alata. Kada koristite bilo koji alat dulje vremena, osigurajte da uzimate povremene stanke.



**UPOZNAJTE SVOJ PROIZVOD**

Pogledajte stranicu 105.

1. Uključivanje birača načina
2. LED žaruljice sklopke za pokretanje
3. Ručka, izolirana površina za hvatanje
4. Gumb za podešavanje tlaka zraka
5. Kotačić za podešavanje dubine čavla
6. Poluga za oslobađanje zaglavljena
7. Aktivator izratka
8. Prozorčić za oznaku niskog čavla
9. Spremnik
10. Klizni zasun spremnika
11. Sklopka za aktiviranje opaljenja
12. Kopča za remen
13. Ulaz za bateriju

ODRŽAVANJE**⚠ UPOZORENJE**

Proizvod nikad ne smije biti priključen na izvor napajanja kada sastavljate dijelove, vršite podešenja, čistite, izvodite održavanje ili kada se proizvod ne koristi. Iskapčanje proizvoda sprječava slučajno pokretanje koje može dovesti do ozbiljnih osobnih ozljeda.

- Prilikom servisiranja koristite samo identične zamjenske dijelove. Korištenje nekih drugih dijelova može dovesti do opasnosti ili uzrokovati oštećenje alat.
- Prilikom čišćenja plastičnih dijelova izbjegavajte koristiti kemijska sredstva. Većina plastika je podložna različitim vrstama komercijalnih kemijskih sredstava za čišćenje i mogu se oštetiti prilikom njihovog korištenja. Za uklanjanje nečistoća, prašine, ulja masti i drugog upotrebljavajte čistu krpu.
- Nikada ne dopustite kontakt plastičnih dijelova s tekućinom za kočnice, benzinom, proizvodima na bazi petroleja, sredstvima za odmašćivanje, idr. Ti kemijski proizvodi sadrže tvari koje mogu oštetiti, oslabiti ili uništiti plastiku.
- Uvijek tijekom rada s električnim alatom ili prilikom ispuhivanja prašine nosite zaštitne naočale i zaštitne naočale s bočnim štitnicima. Ako radite u prašini nosite i masku za zaštitu od prašine.
- Radi veće sigurnosti i pouzdanosti, sve popravke treba izvoditi ovlašteni servisni centar.

PODMAZIVANJE

Svi ležajevi u ovom proizvodu podmazani su s dovoljnom količinom visokokvalitetnog sredstva za podmazivanje za životni vijek proizvoda u normalnim radnim uvjetima. Stoga nije potrebno daljnje podmazivanje.

Nemojte podmazivati čavle, spremnik čavala ili uvodni mehanizam. Održavajte čistim.

ZAŠTITA OKOLIŠA

Sirovine reciklirajte, umjesto da ih odlažete kao otpad. Kako biste zaštitili okoliš, alat, dodatke i ambalažu treba odvojeno bacati u otpad.

SIMBOLI

Sigurnosno upozorenje



CE usklađenost



EurAsian znak konformnosti



Ukrajinska oznaka za sukladnost



Pročitajte Upute za uporabu



LED žaruljice



podešavanje dubine



Aktivacija uzastopnog načina



Aktivacija kontaktom



Otpadni električni proizvodi ne treba da se odlažu s otpadom iz domaćinstva. Molimo da reciklirate gdje je to moguće. Potražite savjet od lokalnih vlasti ili prodavca kako reciklirati.

IKONE U OVOM PRIRUČNIKU

Napomena



Savjet



LED svjetlo



Duboko prodiranje



Plitko prodiranje



Priključite bateriju



Maksimalni zakretni moment



Zakretni moment, Minimalna

Slijedeće riječi upozorenja i značenja imaju namjeru da objasne nivo rizika u vezi s ovim proizvodom.

OPASNOST

Naznačuje prijeteću opasnu situaciju, koja ako se ne izbjegne dovodi do smrti ili ozbiljnih ozljeda.

UPOZORENJE

Naznačuje potencijalno opasnu situaciju, koja ako se ne izbjegne dovodi do smrti ili ozbiljnih ozljeda.

OPREZ

Naznačuje potencijalno opasnu situaciju, koja ako se ne izbjegne dovodi do lakših ili srednjih ozljeda.

OPREZ

(Bez simbola upozorenja sigurnosti) Označava situaciju koja može izazvati oštećenje imovine



Varnost, učinkovitost in zanesljivost so bile pri načrtovanju vašega zabijalnika žebeljev ključnega pomena.

NAMEN UPORABE

Zabijalnik žebeljev lahko uporabljajo odrasle osebe, ki so prebrale in razumejo navodila ter opozorila v tem priročniku in ki so odgovorne za svoja dejanja.

Zabijalnik žebeljev je namenjen za zabijanje žebeljev v les ali v podobne mehke materiale iz magazina, ki vsebuje niz ustreznih žebeljev. Žebliji, ki jih lahko varno vstavite v magazin izdelka, so opisani v specifikacijski tabeli tega priročnika. Ne uporabljajte druge vrste žebeljev za zabijanje z zabijalnikom. Ne upravljajte z orodjem v načinu sprožitev ob stiku, kadar delate na gradbenem odru, lestvi ali drugi površini, kjer se zahteva menjavanje položaja. V takih primerih uporabljajte le način polno zaporedje. Zabijalnika ne uporabljajte za pritrdjevanje električnih kablov.

Izdelka ne uporabljajte na noben način, ki ni predpisan za to napravo.

⚠ OPOZORILO

Preberite vsa varnostna opozorila in navodila. Neupoštevanje opozoril in navodil lahko privede do električnega udara, požara in/ali resnih poškodb.

Vsa opozorila in vsa navodila shranite za bodočo referenco.

VARNOSTNA OPOZORILA PIŠTOLE ZA ŽEBLJE

- **Vedno predpostavite, da orodje vsebuje pritrdila.** Neprevidna uporaba pištole za žeblice lahko povzroči nepričakovano sproženje in poškodbe.
- **Ne usmerjajte orodja vase ali v katero koli drugo osebo.** Nepričakovano sproženje pritrdila lahko povzroči poškodbo.
- **Ne aktivirajte orodja, dokler ga čvrsto ne prislonite ob obdelovanec.** Če orodje ni v stiku z obdelovancem, se lahko pritrdilo odbije proč od njega.
- **Če se pritrdilo zatakne v orodju, odklopite orodje iz vira napajanja.** Če je pištola med odstranjevanjem zagozdenega pritrdila vklopljena, se lahko nenamerno sproži.
- **Pri odstranjevanju zagozdenega pritrdila bodite izjemno previdni.** Mehанизem je morda pod tlakom, zaradi česar se lahko medtem, ko poskušate sprostiti zagozdenje, pritrdilo nenadno sproži.
- **Ne uporabljajte pištole za pritrdjevanje električnih kablov.** Ni namenjeno za pritrdjevanje električnih kablov, saj lahko poškoduje njihovo izolacijo in povzroči električni udar ali požar.

DODATNA VARNOSTNA OPOZORILA

- Zavedajte se, da lahko z nepravilno ali napačno uporabo orodja ogrozite sebe in ljudi v okolici.
- Orodje je namenjeno uporabi z eno roko. Izdelek lahko držite samo za upravljalni ročaj. Pazite, da z drugo dlanjo ne posegate v delovno območje ali izdelek. Pazite, da z glavo ali drugimi deli telesa ne prihajate blizu izdelka, medtem ko zabijate žeblice, da se izognete resnim telesnim poškodbam.
- Vedno se prepričajte, da se kontaktna površina obdelovanca popolnoma stika z materialom, na katerega ga boste zabili. Če boste kontaktno površino obdelovanca le delno pritrdili na material, na katerega ga boste zabijali, se lahko zgodi, da boste z žebeljem popolnoma zgrešili material; to lahko vodi do resne telesne poškodbe.
- Ne zabijajte žebeljev ob robu materiala. Obdelovanec se lahko razcepi in povzroči odboj žeblica ter hude poškodbe. Upoštevajte, da se bo žebelj morda usmeril po vzorcu oz. letnicah lesa, zaradi česar lahko nepričakovano prebije stranico delovnega materiala oz. spremeni smer in povzroči poškodbo.
- Po potrebi obdelovanec vpnite v primež, da si ne poškodujete rok oz. drugih delov telesa. Prepričajte se, da je material, na katerega boste zabijali, ustrezno pritrjen, preden nanj pritisnete kontaktno površino obdelovanca. Pri zabijanju žeblica se lahko material nepričakovano prestavi.
- Pri delu v utesnjenih območjih ne približujte obraza in drugih delov telesa zadnjemu delu orodja. Nenadni odsun lahko povzroči udarec v telo, še posebej pri zabijanju v trde ali goste materiale.
- Ob normalni uporabi bo orodje odsunilo takoj po zabijanju pritrdila. Ne poskušajte preprečiti odsuna tako, da bi pištolo pritiskali ob obdelovanec. Omejevanje odsuna lahko povzroči sproženje dodatnega pritrdila iz pištole. Dobro držite ročaj, pustite, da orodje opravi delo, proste roke pa nikoli ne polagajte na vrh orodja ali v bližino izpuha. Če tega opozorila ne upoštevate, lahko pride do hudih osebnih poškodb.
- Ne zabijajte pritrdil na druga pritrdila in ne držite orodja pod prevelikim kotom, sicer se lahko pritrdilo odbije in povzroči poškodbe.
- Pred uporabo izdelka vedno pregledjte delovno območje za skrito električno, plinsko, vodovodno ali podobno napeljavo.
- Po uporabi izdelka v načinu aktivacije na dotik preklopite nazaj v popolnoma zaporedni način.
- Zabijalno globino žeblica lahko prilagodite preko zahtevane globine. Priporočamo, da zabijalno globino žeblica preverite na poskusnem obdelovancu, da lahko določite in prilagodite, če bi bilo potrebno, tudi globino za namestitvev.



- V to orodje lahko vstavite samo pritrdila, ki ustrezajo opisu v tabeli s specifikacijami izdelka. Uporaba neustreznih potrdil lahko povzroči zagozdenje ali druge okvare.
- Načina sprožitve ob stiku ne izbirajte, kadar delate na gradbenem odru, lestvi ali površinah, kjer boste morali menjavati svoj položaj. Če imate orodje v položaju sprožitve v stiku, lahko med gibanjem nehoti sprožite žebelj ob nenamernem stiku z obdelovancem. Pri menjavanju položaja izberite sprožitev v polnem zaporedju ali deaktivirajte izdelek tako, da odstranite baterije. Tako boste zmanjšali možnost poškodb pri sebi in drugih.

VARNOSTNA OPOZORILA GLEDE PRILAGAJANJA GLOBINE

- Pred prilagajanjem globine vrtenja vedno odstranite akumulator.
- Obroč za prilagajanje je zasnovan za vrtenje, zato ga ne vlecite.
- Med prilagajanjem globine ne pritiskajte sprožilca.
- Pred prilagajanjem globine vrtenja vedno izberite zaporedni način delovanja.
- Med prilagajanjem globine ne usmerjajte orodja vase ali v katero koli drugo osebo.

DODATNA VARNOSTNA OPOZORILA ZA BATERIJO

⚠ OPOZORILO

V izogib, s kratkim stikom povzročene nevarnosti požara, poškodb ali okvar na proizvodu, orodja, izmenljivega akumulatorja ali polnilne naprave ne potaplajte v tekočine in poskrbite, da ne bo prihajalo do vdora tekočin v naprave in akumulatorje. Korozivne ali prevodne tekočine, kot so slana voda, določene kemikalije in belila ali proizvodi, ki le ta vsebujejo, lahko povzročijo kratek stik.

PREVAŽANJE LITIJEVIH AKUMULATORJEV

Akumulator prevažajte v skladu z lokalnimi in državnimi uredbami in predpisi.

Upoštevajte vse posebne zahteve glede pakiranja in označevanja, kadar prevoz opravlja tretja oseba. Zagotovite, da akumulatorji med prevozom ne morejo priti v stik z drugimi akumulatorji ali prevodnimi materiali, tako da zaščitite izpostavljene konektorje z neprevodnimi izolacijskim pokrovčki ali trakom. Ne prevažajte poškodovanih akumulatorjev oz. akumulatorjev, ki puščajo. Za nadaljnje informacije se obrnite na posredništvo.

PREOSTALA TVEGANJA

Nekateri preostalih dejavnikov tveganja ni mogoče povsem odpraviti, tudi če ta izdelek uporabljate v skladu z navodili. Med uporabo se lahko pojavijo nekatere nevarnosti, upravljavec pa naj bo pozoren na naslednje:

- Poškodba sluha
Opomba: Vedno nosite delujočo zaščito za sluh in omejite izpostavljenost hrupu.
- Poškodbe oči lahko nastanejo zaradi neustrezno zabutih žebeljev ali prahu oz. odpadnega materiala.
Opomba: Vedno nosite ustrezno zaščito za oči.
- Poškodbe zaradi vibracij
Opomba: Orodje držite za temu namenjene ročaje ter omejite izpostavljenost vibracijam. Glejte "Zmanjševanje Tveganj".
- Raztrganine lahko nastanejo zaradi stika z ostrimi predmeti.
Opomba: Posebno previdni bodite pri ravnanju z ali vstavljanju žebeljev.
- Izdelek je težek.
Opomba: Izdelek je težek. Pazite, da ne boste pretirano obremenjevali mišic s prekomernim upravljanjem, zlasti če orodje držite nad glavo.

ZMANJŠANJE TVEGANJA

Poročali so že, da lahko vibracije ročnih orodij pri nekaterih posameznikih pripomorejo k razvoju Raynaudovega sindroma. Simptomi so lahko mravljinca, otrplost in pobledele prsti, kar je običajno vidno, kadar je oseba izpostavljena mrazu. Dedni dejavniki, izpostavljenost mrazu in vlagi, dieta, kajenje in delovne navade naj bi pripomogle k razvoju teh simptomov. Za zmanjšanje učinkov vibracij lahko upravljavec upošteva naslednja navodila:

- Poskrbite, da bo vaše telo na mrazu toplo. Med upravljanjem nosite rokavice in tako ohranjajte toploto vaših dlani in zapestij. Kot poročajo, je mraz glavni dejavnik, ki prispeva k Raynaudovemu sindromu.
- Po vsakem obdobju upravljanja naprave telovadite in tako pospešite krvni obtok.
- Pogosto si vzemite odmor. Omejite dnevno količino izpostavljenosti.

Če zaznavate kakršnekoli simptome takšnega stanja, takoj prenehajte z uporabo naprave in se posvetujte z zdravnikom.

⚠ OPOZORILO

Zaradi daljše uporabe orodja lahko pride do poškodb oz. se morebitne poškodbe poslabšajo. Kadar orodje uporabljate dalj časa, si večkrat vzemite odmor.

**SPOZNAJTE SVOJ IZDELEK**

Glej stran 105.

1. Izbirno stikalo za način sprožitve
2. Sprožilec za lučke LED
3. Upravljalni ročaj, izolirano držalo
4. Gumb za prilagoditev zračnega pritiska
5. Kolesce za prilagoditev globine žebnja
6. Ročica za sprostitvev zatikanja
7. Sprožilo ob stiku z obdelovancem
8. Kazalno okence za pomanjkanje žebeljev
9. Magazin
10. Drsní zapah magazina
11. Sprožilec za zabijanje
12. Sponka za pas
13. Priklop za bateriji

VZDRŽEVANJE**⚠ OPOZORILO**

Ko sestavljate dele, prilagajate, čistite ali vzdržujete orodje, ali ko izdelka ne uporabljajte, ga nikoli ne imejte priključenega na vir napajanja. Če izdelek odklopite, preprečite nenameren zagon, ki bi lahko povzročil hude poškodbe.

- Ob servisiranju uporabljajte samo identične nadomestne dele. Uporaba drugih delov lahko pomeni tveganje ali povzroči škodo na izdelku.
- Pri čiščenju plastičnih delov se izogibajte topilom. Večina vrst plastik se lahko pri uporabi različnih komercialnih topil poškoduje. Za odstranjevanje umazanije, saj in podobnega uporabljajte čisto krpo.
- Zavorna tekočina, gorivo, izdelki na osnovi nafte, prodirajoče olje ipd. nikoli ne smejo priti v stik s plastičnimi deli. Kemikalije lahko poškodujejo, oslabijo ali uničijo plastiko.
- Vedno nosite zaščitna očala s stranskimi ščitniki, ko uporabljate električna orodja ali ko spihujete prah. Če pri delu nastaja prah, nosite tudi zaščitno masko proti prahu.
- Zaradi večje varnosti in zanesljivosti naj vsa popravila izvajajo pooblašeni servisni center.

MAZANJE

Vsi ležaji na napravi so namazani z dovolj kakovostnega maziva, tako da mazanje naprave ob normalni uporabi do konca življenjske dobe naprave ni več potrebno. Zato dodatno mazanje ni potrebno.

Ne mažite žebeljev, magazina za žeblje ali potisnega mehanizma. Redno čistite.

ZAŠČITA OKOLJA

Namesto, da napravo zavržete, reciklirajte surovine. Napravo, pribor in embalažo je treba sortirati za okolju prijazno recikliranje.

SIMBOLI

Varnostno opozorilo



Skladnost CE



EurAsian oznaka o skladnosti



Ukrajinska oznaka za skladnost



Preberite navodila za uporabo



Delovne luči LED



Prilagajanje globine



Popolnoma zaporedna aktivacija



Aktivacija na stik



Odpadne električne izdelke ne odlagajte skupaj z ostalimi gospodinjstvi odpadki. Reciklažo opravljajte na predpisanih mestih. Za nasvet se obrnite na lokalne oblasti.

IKONA V TEM PRIROČNIKU

Opomba



Konica



Luč LED



Globoko prodiranje



Plitvo prodiranje



Priključite baterijo



Maksimalni navor



Navor, Minimalna

Sledeče signalne besede in pomeni naj bi pojasnili ravni tveganja, ki so povezane s tem izdelkom.

NEVARNOST

Označuje neizogibno nevarno stanje, ki lahko povzroči smrt ali hude poškodbe, če ga ne preprečite.

OPOZORILO

Označuje morebitno nevarno stanje, ki bi lahko povzročilo smrt ali hude poškodbe, če ga ne preprečite.

POZOR

Označuje morebitno nevarno stanje, ki lahko povzroči manjše ali zmerne poškodbe, če se ga ne preprečite.

POZOR

(Brez simbola Varnostni alarm) Označuje stanje, ki lahko privede do poškodovanja lastnine.



Na dosiahnutie jednoduchej obsluhy a prevádzky boli pri navrhovaní tejto kľincovej zbijačky najvyššou prioritou bezpečnosť, výkon a spoľahlivosť.

ÚČEL POUŽITIA

Táto kľincová zbijačka je určená len na použitie dospelými osobami, ktoré si prečítali a porozumeli pokynom a výstrahám v tomto návode a možno ich považovať za zodpovedajúce za svoje činy.

Kľincová zbijačka je určená na vbíjanie kľincov do dreva a podobných mäkkých materiálov zo zásobníka obsahujúceho pás vhodných kľincov. Kľince ktoré možno bezpečne vkladať do zásobníka pre produkt, sú popísané v tabuľke špecifikácií produktu v tejto príručke. S kľincovou zbijačkou nepoužívajte žiadny iný druh kľincov či upevňovacích prostriedkov. Nepoužívajte v režime spúšťania kontaktom pri práci na lešení, rebriku či inej plošine, kde sa vyžaduje zmena pracovnej polohy. V tomto prípade používajte len sekvenčnom režime. Kľincová zbijačka sa nesmie používať na upevňovanie elektrických káblov.

Tento produkt nepoužívajte žiadnym iným spôsobom, ako je uvedené v účele použitia.

VAROVANIE

Prečítajte si všetky bezpečnostné výstrahy a pokyny. Ak nerespektujete a inštrukcie, môže to mať za následok úraz elektrickým prúdom, požiar a/alebo vážne zranenie.

Odložte všetky výstrahy a pokyny pre budúce použitie.

KLINCOVÁ ZBÍJAČKA – BEZPEČNOSTNÉ VÝSTRAHY

- **Vždy predpokladajte, že nástroj obsahuje sponky.** Pri neopatrných manipuláciách s kľincovou zbijačkou môže dôjsť k neočakávanému vbíjaniu sponiek a osobnému poraneniu.
 - **Namierte nástrojom smerom k sebe ani žiadnej osobe v blízkosti.** Pri neočakávanom spustení sa uvoľní sponka, čo môže spôsobiť poranenie.
 - **Nespúšťajte nástroj, kým tento nie je pevne priložený k obrobku.** Ak nástroj nie je v kontakte s obrobkom, sponka sa môže odchyliť od vášho cieľa.
 - **Keď sa upínadlo zasekne v nástroji, odpojte nástroj od elektrickej siete.** Pri odstraňovaní zaseknutej spojky sa môže kľincová zbijačka neúmyselne spustiť, pokiaľ je zapojená.
 - **Pri odstraňovaní zaseknutej sponky dávajte pozor.** Mechanizmus môže byť pod tlakom a sponka sa môže násilne uvoľniť pri pokuse o uvoľnenie pri zaseknutí.
 - **Túto kľincovú zbijačku nepoužívajte na upínanie elektrických káblov.** Nie je určený na inštalácie elektrických káblov a môže spôsobiť poškodenie izolácie elektrických káblov a následne zásah elektrickým prúdom alebo riziko vzniku požiaru.
- ### AKUMULÁTOR – BEZPEČNOSTNÉ VÝSTRAHY
- Vždy majte na pamäti, že nesprávne používanie a nevhodná manipulácia tohto nástroja môže viesť k poraneniu vás alebo iných osôb.
 - Tento nástroj je určený použitiu jednou rukou. Produkt sa musí držať len za pracovnú rukoväť. Druhú ruku nedávajte do blízkosti pracovného priestoru a produktu. Pri vbíjaní kľincov nedávajte hlavu ani iné časti tela do blízkosti produktu, inak hrozí riziko závažného osobného poranenia.
 - Vždy skontrolujte, či je kontakt s obrobkom plne umiestnený nad pripieňovaným materiálom. Pri umiestnení kontaktu obrobku len čiastočne nad upevňovaným materiálom, by mohli kľince úplne miňať materiál, čo spôsobí závažné osobné poranenie.
 - Nevbíjajte kľince v blízkosti okraja materiálu. Obrobok sa môže rozštiepiť, čo spôsobí odskočenie kľinca a následné poranenie – vás alebo spolupracovníka. Berte ohľad na to, že kľinec môže sledovať vlákna dreva, čo spôsobí, že kľinec môže neočakávanne vystúpiť z bočnej strany dreva pracovného materiálu alebo sa ohnúť a tak spôsobiť možné zranenie.
 - Keď je potrebné zabezpečiť, aby nedošlo k potenciálnemu zraneniu rúk a tela, pridržte obrobok pomocou soriek. Pred prítlačením kontaktu obrobku na materiál skontrolujte, či je upevňovaný materiál náležite zaistený. Vbíjanie kľincov môže spôsobiť neočakávané posunutie materiálu.
 - Tvár a časti tela nedávajte do blízkosti zadnej časti veľa nástroja pri práci v obmedzených priestoroch. Náhle samonabítie môže spôsobiť náraz do tela, najmä pri vbíjaní do tvrdých alebo hustých materiálov.
 - Pri štandardnom použití nástroj ihneď po vbíjaní sponky vykoná samonabítie. Nepokúšajte sa brániť samonabítiu tak, že budete držať zbijačku oproti obrobku. Pri zabránení samonabítiu môže dôjsť k vypusteniu druhej sponky zo zbijačky. Pevne uchopte rukoväť, nechajte nástroj pracovať a nikdy nedávajte druhú ruku navrch nástroja alebo do blízkosti výfuku. Pri nerespektovaní tejto výstrahy môže dôjsť k vážnemu poraneniu osôb.
 - Nevbíjajte sponky na iné sponky alebo s nástrojom v príliš strmom uhle, inak môže dôjsť k ohnutoj sponke a následnému poraneniu.
 - Pred prácou v pracovnom priestore vždy skontrolujte, či sa v tomto pracovnom priestore nenachádza skryté vedenie, plynové potrubie, vodovodné potrubie a pod.
 - Po použití produktu v režime spúšťania kontaktom ho prepnite späť do plne sekvenčného režimu.
 - Hĺbka vbíjania kľinca sa dá nastaviť aj za požadovanú



hĺbku. Odporúča sa otestovať hĺbku vbíjania na odpadovom kuse a určiť požadovanú hĺbku pre danú aplikáciu a v prípade potreby ju upraviť.

- S týmto nástrojom je možné používať len sponky zodpovedajúce popisu v tabuľke špecifikácií produktu. Pri použití nesprávnych sponiek môže dôjsť k zaseknutiu či iným poruchám.
- Nepoužívajte režim spúšťania kontaktom pri práci na lešeniach, rebríkoch alebo plošinách, kde môžete potrebovať zmeniť polohu tela. Pri presúvaní sa z miesta na miesto môžete neúmyselne vystreliť kliniec nepozorným aktivovaním kontaktu obrobku, ak je zvolený režim spúšťania kontaktom. Pri zmene polôh vyberte plné sekvenčné spúšťanie alebo úplne deaktivujte produkt tak, že vyberiete jednotku akumulátora. Znížite tak riziko potenciálneho zranenia vás aj iných osôb.

BEZPEČNOSTNÉ VÝSTRAHE PRE NASTAVOVANIE HĽBKY

- Pred nastavovaním hĺbky hnacieho kolesa vždy vyberte akumulátor.
- Neťahajte nastavovacie koleso späť, toto koleso sa má otáčať.
- Pri nastavovaní hĺbky vbíjania nestláčajte spúšť.
- Pred nastavovaním hĺbky vbíjania vždy vyberte plne sekvenčný režim vbíjania.
- Pri nastavovaní hĺbky vbíjania neatáčajte nástroj smerom k sebe ani žiadnej osobe v blízkosti.

DOPLNKOVÉ BEZPEČNOSTNÉ VÝSTRAHY PRE BATÉRIU

⚠ VAROVANIE

Aby ste zabránili nebezpečenstvu požiaru spôsobeného skratom, poraneniam alebo poškodeniam výrobku, neponárajte náradie, výmennú batériu alebo nabíjačku do kvapalín a postarajte sa o to, aby do zariadení a akumulátorov nevnikli žiadne tekutiny. Korodujúce alebo vodivé kvapaliny, ako je slaná voda, určité chemikálie a bieliace prostriedky alebo výrobky, ktoré obsahujú bielidlo, môžu spôsobiť skrat.

PREPRAVA LÍTIOVÝCH AKUMULÁTOROV

Akumulátor prepravujte v súlade s miestnymi smernicami a nariadeniami.

Keď akumulátory prepravuje tretia strana, dodržiavajte všetky požiadavky na balení a označení. Zabezpečte, aby počas prepravy akumulátory neprišli do kontaktu s inými akumulátormi ani vodivými materiálmi – chráňte obnažené konektory pomocou izolácie, nevodivými viečkami alebo páskou. Neprepravujte akumulátory, ktoré sú prasknuté

alebo vytekajú. Ďalšie pokyny zistíte u nasledujúcej spoločnosti.

ZVÝŠKOVÁ RIZIKOVOSŤ

Aj keď sa nástroj používa podľa predpisu, nie je možné eliminovať určité zvyškové rizikové faktory. Pri použití vznikajú nasledujúce riziká a obsluhujúca osoba musí venovať zvláštnu pozornosť, aby nedošlo k nasledovnému:

- Poškodenie sluchu
Poznámka: Vždy používajte ochranu sluchu a obmedzte vystavovanie hluku.
- Poranenie očí spôsobené nesprávne vbíjanými klincami alebo odletujúcim prachom a sutinou.
Poznámka: Vždy používajte vhodné chrániče zraku.
- Zranenie spôsobené vibráciami
Poznámka: Nástroj držte za určené rukoväte a obmedzte vystavovanie vibráciám. Pozrite časť "Znižovanie Rizika".
- Rozodratia spôsobené kontaktom s ostrými bodmi.
Poznámka: Pri manipulácii s klincami a ich vkladáním buďte veľmi opatrní.
- Produkt je ťažký.
Poznámka: Produkt je ťažký. Pozor na presilenie svalov pri používaní produktu dlhšiu dobu, najmä pri práci nad hlavou.

OBMEDZENIE RIZIKA

Boli hlásené prípady, kedy vibrácie z ručných nástrojov u niektorých osôb prispeli k stavu nazývanému Raynaudov syndróm. K symptómom patria: tŕpnutie, znecitlivenie a blednutie prstov, zvyčajne zjavné po vystavení zime. Je známe, že k vývoju týchto symptómov prispievajú: dedičné faktory, vystavovanie zime a vlhkosti, diéta, fajčenie a pracovné návyky. Opatrenia, ktoré môže vykonať obsluhujúca osoba na možné zníženie účinkov vibrácií:

- V studenom počasí udržiavajte svoje telo v teple. Pri práci so zariadením noste rukavice, aby ste mali ruky a zápästia v teple. Boli hlásené prípady, kedy hlavným faktorom prispievajúcim k Raynaudovmu syndrómu bolo studené počasie.
- Po každom určitom časovom úseku prevádzky cvičte, aby ste zlepšili krvný obeh.
- Počas práce si doprajte časté prestávky. Obmedzte počet vystavení za deň.

Ak zistíte ktorýkoľvek zo symptómov tohto stavu, okamžite prerušte používanie zariadenia, navštívte svojho lekára a povedzte mu o symptómoch.

**VAROVANIE**

Dlhodobé používanie nástroja môže spôsobiť alebo zhoršiť poranenia. Pri používaní nástroja príliš dlhé obdobia si vždy doprajte pravidelné prestávky.

OBOZNÁMTE SA S VAŠIM PRODUKTOM

Viď strana 105.

1. Volič režimu vbijania
2. Spúšť s indikátormi LED
3. Pracovná rukoväť, izolovaný povrch na držanie
4. Tlačidlo nastavenia tlaku vzduchu
5. Koliesko nastavenie hĺbky klincov
6. Páčka na uvoľnenie zaseknutia
7. Aktivátor kontaktu obrobru
8. Okno indikátora nedostatku klincov
9. Zásobník
10. Západka zasúvania zásobníka
11. Spúšť aktivácie vbijania
12. Remeňová spona
13. Otvor na akumulátory

ÚDRŽBA**VAROVANIE**

Tento produkt sa nikdy nesmie pripájať do elektrickej siete, keď montujete diely, vykonávate úpravy, čistíte alebo vykonávate údržbu, alebo keď produkt nepoužívate. Odpojením produktu zabránite náhodnému spusteniu, ktoré by mohlo spôsobiť závažné poranenie.

- Pri servise používajte len originálne náhradné diely. Použitie iných dielov môže predstavovať riziko alebo spôsobiť poškodenie produktu.
- Vyhýbajte sa použitiu rozpúšťadiel pri čistení plastových častí. Večina plastických materialov je občutlivá na različne vrste komercialno dostupnih topil in jih z njihovo uporabo lahko poškodujemo. Na odstránenie špiny, uhlíkového prachu a pod. použite čisté tkaniny.
- Dbajte na to, aby do kontaktu s plastovými dielmi nikdy neprišli do kontaktu brzdové kvapaliny, benzín, ropné produkty, prenikavé oleje a pod. Chemikálie môžu poškodiť, oslabiť či zničiť plast.
- Pri práci s mechanickým nástrojom alebo ofukovaní prachu vždy používajte ochranné okuliare alebo ochranné okuliare s bočnými chráničmi. Ak pri práci vzniká prach, používajte aj protiprachovú masku.
- Pre vyššiu bezpečnosť a spoľahlivosť sa musia všetky opravy vykonávať v autorizovanom servisnom centre.

MAZANIE

Všetky ložiská v produkte sú namazané dostatočným množstvom mazivom vysokej akosti na celú životnosť

produktu pri bežných prevádzkových podmienkach. Preto nie je potrebné žiadne ďalšie mazanie.

Na klince, zásobník na klince či pohonný mechanizmus nepoužívajte mazivá. Udržujte v čistote.

OCHRANA ŽIVOTNÉHO PROSTREDIA

Surové materiály recyklujte, nelikvidujte ich ako odpad. Stroj, príslušenstvo a obaly by sa mali triedene recyklovať spôsobom šetrným k životnému prostrediu.

SYMBOLY

Buďte ostražití



Zhoda CE



Euroázijská značka zhody



Ukrajinské označenie zhody



Prečítajte si návod na obsluhu



Prevádzkové indikátory LED



Prispôsobenie hĺbky



Plne sekvenčné spúšťanie



Spúšťanie kontaktom



Opotrebované elektrické zariadenia by ste nemali odhadzovať do domového odpadu. Prosíme o recykláciu ak je možné. Kontaktujte miestne úrady, alebo predajcu pre viac informácií o hľadom ekologického spracovania.

IKONA V TOMTO NÁVODE

Poznámka



Tip



Žiarovka LED



Hlboké preniknutie



Plytké preniknutie



Pripojte batériu



Max. moment



Krútiaci moment, Minimálna

Nasledujúce značky a významy vysvetľujú úroveň rizika spojeným s výrobkom.

NEBEZPEČENSTVO

Označuje bezprostredne nebezpečnú situáciu, ktorá, ak jej nepredídete, spôsobí usmrtenie alebo vážne poranenie.

VAROVANIE

Označuje potenciálne nebezpečnú situáciu, ktorá, ak jej nepredídete, môže spôsobiť usmrtenie alebo vážne poranenie.

UPOZORNENIE

Označuje potenciálne nebezpečnú situáciu, ktorá, ak jej nepredídete, môže spôsobiť menšie alebo stredne závažné poranenie.

UPOZORNENIE

(Bez výstražnej značky s výkričníkom) Označuje situáciu, ktorá môže zapríčiniť škody na majetku.



Безопасността, работните характеристики и надеждността са аспектите, на които е отделен най-голям приоритет при проектирането на вашия пистолет за пирони.

ПРЕДНАЗНАЧЕНИЕ

Пистолетът за пирони е предназначен за използване само от възрастни, които трябва да са прочели и разбрали инструкциите и предупрежденията в това ръководство и може да се считат отговорни за действията си.

Пистолетът за пирони е предназначен за забиване на пирони в дърво или подобни меки материали от пълнител, съдържащ лента с подходящи пирони. Пироните, които могат безпроблемно да се поставят в пълнителя на продукта, са описани в таблицата със спецификации на продукта в това ръководство. Не използвайте друг тип пирони или крепежни елементи с пистолета за пирони. Не използвайте продукта в режим на задействане при контакт, докато работите върху скеле, стълба или друга платформа, при която се налага промяна в работната позиция. В такъв случай използвайте само напълно последователния режим. Пистолетът за пирони не трябва да се използва за фиксиране на електрически кабели.

Не използвайте продукта по начини, различни от посочените.

⚠ ПРЕДУПРЕЖДЕНИЕ

Прочетете всички предупреждения относно безопасността и всички инструкции. Неспазването на предупрежденията и инструкциите може да доведе до токов удар, пожар и/или сериозни наранявания.

Съхранявайте всички предупреждения и инструкции за бъдещи справки.

ПРЕДУПРЕЖДЕНИЯ ЗА БЕЗОПАСНОСТ ОТНОСНО ПИСТОЛЕТА ЗА ПИРОНИ

- **Винаги считайте, че в инструмента има скоби.** Невнимателната работа с пистолета за пирони може да доведе до неочаквано изстрелване на пирони и нараняване.
- **Не насочвайте инструмента срещу себе си или други хора наоколо.** Неочаквано задействане ще освободи скоба, което ще причини нараняване.
- **Не задействайте инструмента, освен ако не е поставен стабилно върху работния елемент.** Ако инструментът не е в контакт с работния елемент, скобата може да отскочи от целта си.
- **Разкачете инструмента от електрозахранването, когато скобата се заклучи в него.** Докато отстранявате заклучен пирон, пистолетът за пирони може да се задейства инцидентно, ако е включен.
- **Внимавайте, когато отстранявате заклучена скоба.** Механизмът може да е под налягане и

скобата може да се освободи насила, докато опитвате да отстраните задръстването.

- **Не използвайте пистолета за пирони за фиксиране на електрически кабели.** Той не е предназначен за електрическа мрежа и може да повреди изолацията на електрическите кабели, като по този начин доведе до електрически удар или риск от пожар.

ДОПЪЛНИТЕЛНИ ПРЕДУПРЕЖДЕНИЯ ЗА БЕЗОПАСНОСТ

- Винаги имайте предвид, че употреба, която е неправилна или не по предназначение, може да доведе до нараняване на вас или околните.
- Инструментът е предназначен за използване с една ръка. Продуктът трябва да се държи само за работната ръкохватка. Дръжте другата ръка на достатъчно разстояние от работната зона и от продукта. Не поставяйте главата си или други части на тялото в близост до продукта, докато забивате пирони, за да избегнете сериозно физическо нараняване.
- Винаги съблюдавайте пълно позициониране на контакта на работния елемент върху материала, който фиксирате. Позиционирането на контакта на работния елемент само частично върху материала, който фиксирате, може да доведе до това пиронът изцяло да пропусне материала, което да причини сериозно нараняване.
- Не забивайте пирони близо до ръба на материала. Работният елемент може да се разцепи, което ще накара пирона да рикошира и да нарани вас или колега. Имайте предвид, че пиронът може да последва структурата на дървото, което да го накара да излезе неочаквано от страни на материала или да се отклони, което може да доведе до нараняване.
- Обезопасете материала, който фиксирате, със стеги, когато е нужно да предпазите ръцете или тялото си от потенциално нараняване. Уверете се, че материалът, който трябва да се фиксира, е добре застопорен, преди да натиснете контакта на работния детайл към материала. Забиването на пирона може да доведе до неочаквано преместване на материала.
- Дръжте далеч лицето и частите на тялото си от задната страна на капачката на инструмента, когато работите в ограничени зони. Внезапен откат може да доведе до удар по тялото, особено когато забивате в твърд или плътен материал.
- При нормална работа инструментът ще даде откат веднага след забиването на пирон. Не опитвайте да предотвратите отката, като държите продукта срещу работния елемент. Ограничаването на отката може да доведе до забиването на втор пирон от продукта. Хванете здраво дръжката, оставете





продукта да изпълни работата си и никога не слагайте другата си ръка върху него или изходното отверстие на продукта. Несъобразяването с това предупреждение може да доведе до сериозни физически наранявания.

- Не забивайте скоби върху други скоби или когато продуктът е под много голям ъгъл, защото това може да доведе до отразяване на скобите, което от своя страна може да доведе до нараняване.
- Винаги проверявайте работната среда за скрито окабеляване, тръби за газ или вода и т.н., преди да използвате продукта.
- След като използвате продукта в режим на задействане при контакт, винаги го превключете на напълно последователния режим.
- Дълбочината на забиване на пилона може да се промени отвъд желаната от вас дълбочина. Съветваме ви да проверите дълбочината забития пилон на излишно парче материал, за да определите и при необходимост да промените нужната дълбочина за това, върху което работите.
- С продукта можете да използвате само пирони, които отговарят на описанието в таблицата със спецификации на продукта. Използването на неправилни скоби може да доведе до задръстване или други неизправности.
- Не избирайте режим на задействане при контакт, когато работите върху скеле, стълба или друга платформа, при която се налага промяна в позицията на тялото Ви. Може неволно да изстреляте пилон поради неумишлено задействане на контакт с работен детайл, докато се премествате, ако е избран режим на задействане при контакт. При смяна на позициите изберете напълно последователен режим или деактивирайте изцяло продукта, като извадите батерията. Така ще се намали рискът от нараняване на вас или на други лица.

ПРЕДУПРЕЖДЕНИЯ ЗА БЕЗОПАСНОСТ ПРИ РЕГУЛИРАНЕ НА ДЪЛБОЧИНАТА

- Винаги отстранявайте батерията, преди да регулирате ролката за дълбочина на забиването.
- Не дърпайте ролката за регулиране назад, тя е предназначена за завъртане.
- Не натискайте спуська, докато регулирате ролката за дълбочина на забиването.
- Винаги избирайте напълно последователен режим на изстрелване, преди да регулирате дълбочината на забиване.
- Не насочвайте инструмента към себе си или някого наоколо, когато регулирате дълбочината на забиване.

ДОПЪЛНИТЕЛНИ ПРЕДУПРЕЖДЕНИЯ ЗА БЕЗОПАСНОСТ ЗА БАТЕРИЯТА

▲ ПРЕДУПРЕЖДЕНИЕ

За да избегнете опасността от пожар, предизвикана от късо съединение, както и нараняванията и повредите на продукта, не потапяйте инструмента, сменяемата акумулаторна батерия или зарядното устройство в течности и се погрижете в уредите и акумулаторните батерии да не попадат течности. Течностите, предизвикващи корозия или провеждащи електричество, като солена вода, определени химикали, изобелващи вещества или продукти, съдържащи изобелващи вещества, могат да предизвикат късо съединение.

ТРАНСПОРТИРАНЕ НА ЛИТИЕВИ БАТЕРИИ

Транспортирайте батериите в съответствие с местните и национални постановления и разпоредби.

Спазвайте всички специални изисквания за пакетиране и етикетирание, когато транспортирате батерии чрез трето лице. Уверете се, че батериите не влизат в контакт с други батерии или проводими материали по време на транспортиране, като предпазите откритите конектори с изолация, непроводими капачета или лента. Не транспортирайте батерии, които са спукани или текат. Свържете се със следната компания за допълнителен съвет.

НЕПРЕДВИДЕНИ РИСКОВЕ

Дори когато продуктът се използва по предназначение, е невъзможно напълно да се ограничат влиянието на определени рискови фактори. Могат да възникнат следните опасности и операторът трябва да обърне особено внимание, за да ги избегне:

- Увреждане на слуха.
Забележка: Винаги носете ефективни антифони и ограничавайте излагането на шум.
- Може да възникне нараняване на очите поради неправилно насочени пирони или прехвърчащ прах или отломки.
Забележка: Винаги носете защитни очила.
- Нараняване, причинено от вибрация.
Забележка: Дръжте izdelieto за определените дръжки и ограничете излагането на вибрации. Вижте „Намаляване на риска“.
- Може да възникне разкъсване от контакт с остри точки.
Забележка: Бъдете изключително внимателни при боравене с пирони или зареждане.
- Продуктът тежи.
Забележка: Продуктът тежи. Внимавайте за напрежение в мускулите при продължителна работа с продукта, особено ако се използва над главата.

**НАМАЛЯВАНЕ НА РИСКА**

Известно е, че вибрациите, произвеждани от ръчни инструменти може да предизвикат у някои индивиди заболяване, наречено Синдром на Рейнолд (Raynaud's Syndrome). Симптомите може да включват изтръпване, свъщане и изbledняване на пръстите, обикновено се забелязват при излагане на студ. Смята се, че наследствените фактори, излагането на студ и влага, диетите, пушенето и някои работни навици допринасят за развитието на тези симптоми. Могат да се вземат някои мерки, които могат да се предприемат от оператора, за да се намалят ефектите от вибрациите:

- Поддържайте телесната температура в студено време. Когато работите с продукта, носете ръкавици, за да поддържате ръцете и китките си топли. Според изследванията главният фактор, допринасящ за развитието на Raynaud's Syndrome, е студеното време.
- Правете упражнения за активизиране на кръвообращението след всеки работен цикъл.
- Редовно излизайте в почивка. Ограничете излагането на вибрации на ден.

При поява на някой от симптомите на това заболяване, незабавно прекратете употребата на инструмента и посетете лекар.

⚠ ПРЕДУПРЕЖДЕНИЕ

Продължителното използване на инструмента може да доведе до наранявания или влошаване. При използване на инструмента за продължителни периоди от време правете честички почивки.

ОПОЗНАЙТЕ ВАШИЯ ПРОДУКТ

Вж. страница 105.

1. Селектор за режим на задействане
2. Спусък за LED светлини
3. Работна ръкохватка, изолирана повърхност за захващане
4. Врътка за регулиране на налягането на въздуха
5. Ролка за регулиране на дълбочината на пироните
6. Лост за освобождаване при засядане
7. Активатор при контакт с работния детайл
8. Индикаторен прозорец за ниско количество пирони
9. Пълнителя
10. Плъзгач се фиксатор на пълнителя
11. Спусък за активизиране на изстрелването
12. Скоба за колана
13. Гнездо за батерията

ПОДДРЪЖКА**⚠ ПРЕДУПРЕЖДЕНИЕ**

Продуктът не трябва никога да се включва в захранване, когато сглобявате части, правите настройки, почиствате, извършвате поддръжка или когато не го използвате. Изключването на продукта от захранването ще предотврати случайно стартиране, което би могло да причини сериозни наранявания.

- При извършване на сервизни дейности използвайте само оригинални резервни части от производителя. Използването на други части може да ви постави в опасност или да повреди продукта.
- Избягвайте използването на разтворители при почистването на пластмасовите части. Повечето пластмаси са чувствителни към различни видове разтворители и може да се повредят при използването на такива. Използвайте меки кърпи за отстраняване на замърсявания, въглероден прах и др.
- В никакъв случай не позволявайте пластмасовите части да влизат в контакт със спирачни течности, нефтени продукти, проникващи масла и т.н. Те съдържат химически вещества, които могат да повредят, отслабят или разрушат пластмасата.
- Винаги носете предпазна маска или очила със странични екрани, когато боравите с механизирани инструменти или издухвате прах. Ако при работата се отделя прах, използвайте и маска за предпазване от него.
- За по-голяма безопасност и надеждност всички ремонти трябва да се извършват от оторизиран сервиз.

СМАЗВАНЕ

Всички лагери в този продукт за смазани с достатъчно количество висококачествено масло, което трябва да стигне за целия експлоатационен живот на инструмента при нормални работни условия. Затова не е необходимо допълнително смазване.

Не използвайте смазочни материали върху пироните, пълнителя или забиващия механизъм. Пазете чисто.

ОПАЗВАНЕ НА ОКОЛНАТА СРЕДА

Рециклиране на суровини, вместо за обезвреждане като отпадък. Машината, допълнителните приспособления и опаковките трябва да бъдат подложени на подходяща преработка за оползотворяване на съдържащите се в тях вторични суровини.



СИМВОЛИ



Предупреждение относно безопасността



CE съответствие



EurAsian знак за съответствие



Украински знак за съответствие



Прочетете ръководството за оператора



LED работна лампа



Регулиране на дълбочината



Напълно последователно задействие



Задействие при контакт



Електрическите уреди не трябва да се изхвърлят заедно с битовите отпадъци. Рециклирайте, където има възможност. Обърнете се за съвет по рециклирането към местните власти или разпространителите.

СИМВОЛИ В НАСТОЯЩОТО РЪКОВОДСТВО



Забележка



Съвет



LED светлини



Дълбоко проникване



Плитко проникване



Свързване на батерията



Въртящ момент, максимална



Въртящ момент, минимална

Следните сигнални думи и техните съответни значения обясняват нивата на опасност, свързани с употребата на този продукт:

⚠ ОПАСНОСТ

Указва неминуемо опасна ситуация, която ако не бъде избегната, ще доведе до сериозни наранявания или смърт.

⚠ ПРЕДУПРЕЖДЕНИЕ

Указва потенциално опасна ситуация, която ако не бъде избегната, може да доведе до сериозни наранявания или смърт.

⚠ ВНИМАНИЕ

Указва потенциално опасна ситуация, която ако не бъде избегната, може да доведе до дребни или средни наранявания.

ВНИМАНИЕ

(Без предупредителен символ за безопасност) Указва ситуация, която може да доведе до имуществени щети.



У дизайні цвяхозабивача першочергову увагу приділено безпеці, продуктивності та надійності.

ПРИЗНАЧЕННЯ

Цвяхозабивач можуть використовувати тільки дорослі, які прочитали та зрозуміли інструкції і попередження в цьому посібнику й здатні нести відповідальність за свої дії.

Цвяхозабивач призначено для вбивання в дерево або подібні м'які матеріали цвяхів з касети, що містить об'ємну придатних цвяхів. Інформацію про те, які цвяхи можна безпечно завантажувати в касету інструмента, надано в таблиці специфікації в цьому посібнику. Інші типи цвяхів або фіксаторів використовувати заборонено! Не працюйте в режимі контактної пуску під час роботи на помості, драбині або іншій платформі, де потрібно змінювати робоче положення. Використовуйте в цьому разі тільки повний послідовний режим. Цвяхозабивач не можна використовувати для фіксації електричних кабелів.

Для довбання та свердлення кам'яної кладки, може бути використаний режим молотка.

⚠ ПОПЕРЕДЖЕННЯ

Прочитайте всі правила безпеки та інструкції. Недотримання попереджень та інструкцій може призвести до ураження електричним струмом, пожежі та / або серйозної травми.

Збережіть всі інструкції і вказівки для майбутнього використання.

ПОПЕРЕДЖЕННЯ ЩОДО БЕЗПЕЧНОЇ РОБОТИ ІЗ ЦВЯХОЗАБИВАЧЕМ

- **Завжди упевнитись, що інструмент містить кріплення.** Необроблене поводження із цвяхозабивачем може призвести до несподіваного випуску цвяха й травмування.
- **Не спрямовуйте інструмент на себе чи на когось поблизу.** Несподіване спрацювання засуву буде призводити до травми.
- **Не приводити в дію інструмент, якщо інструмент не розміщений впритул до заготівлі.** Якщо інструмент не знаходиться в контакт із заготівлею, кріпильний елемент може бути відхилений від цілі.
- **Вимкніть інструмент від джерела живлення, коли вставляєте скобки в інструмент.** При Під час видалення застряглої цвяха цвяхозабивач може випадково активуватися, якщо його ввімкнуто.
- **Будьте обережні при видаленні застряглою скобки.** Механізм може бути під тиском і засув може бути примусово висвободитися при спробі звільнити застряглий стан.

- **Не використовуйте цей цвяхозабивач для кріплення електричних кабелів.** Він не призначений для монтажу електричного кабелю і може призвести до пошкодження ізоляції електричних кабелів, тим самим ураження електричним струмом або пожежі.

ДОДАТКОВІ ЗАХОДИ БЕЗПЕКИ.

- Завжди знайте, що неправильне використання і неправильне поводження з продуктом може призвести до травмування себе та інших.
- Продукт призначений для використання однією рукою. Інструмент потрібно тримати тільки за рукоятку. Іншу руку слід тримати подалі від цвяхозабивача та місця виконання робіт. Щоб уникнути серйозних травм, під час забивання цвяхів не підносите інструмент до голови та інших частин тіла.
- Завжди пересвідчайтеся, що контактна область не виходить за межі деталі, яка прибивається. Якщо контактна область частково виходить за межі деталі, цвях може пройти взагалі повз деталь, і ви ризикуєте отримати серйозну травму.
- Не забувайте цвяхи близько до краю деталі. Деталь може розколотися, внаслідок чого цвях відрикошетить, поранивши вас чи того, хто поряд із вами. Пам'ятайте, що цвях може прямувати вздовж волокна деревини, вийти несподівано з бічної сторони оброблюваної деталі й спричинити травмування.
- Тримайте заготовку з зажимами, коли необхідно тримати руки і тіло подалі від потенційного ушкодження. Перш ніж притиснути контактну область до деталі, яка прибивається, переконайтеся, що деталь надійно закріплено. Під час забивання цвяха деталь може зміститися в будь-якому напрямі.
- Тримайте обличчя і частини тіла подалі від кришки задньої частини інструменту при роботі в обмежених областях. Раптова віддача може бути дуже відчутною, особливо коли забиваєте цвяхи у твердий або щільний матеріал.
- Під час нормального використання продукту віддача буде відразу після введення скобки. Не намагайтеся запобігти віддачі, притискаючи продукт до роботи. Обмеження віддачі може призвести до вистрілювання другої скобки з продукту. Візьміться за ручку твердо, нехай продукт зробить роботу і ніколи не ставте другу руку на верхній частині продукту або поблизу вихлопних газів. Недотримання цього попередження може призвести до серйозних травм.
- Не вводіть скобки на поверх інших кріплень або, коли продукт під надмірно крутим кутом, це може привести до відхилення кріплення, це може призвести до травми.



- Завжди перевіряйте робочу зону на наявність прихованої проводки, газових ліній, водоводів і т.д., коли працюєте у такій зоні.
- Після використання продукту в контактному режимі спрацювання, поверніть його назад в повний послідовний режим.
- Довжина цвяхів може виявитися більшою, ніж вам потрібно. Глибину забивання цвяхів бажано перевірити на пробній заготовці, а потім – задати та відрегулювати робочу глибину.
- Тільки скоби відповідаючі опису в таблиці специфікації можуть бути використані разом з продуктом. Використання некоректних скоб може привести до заклинювання або інших несправностей.
- Не вибирайте режим контактного пуску під час роботи на помості, драбині або іншій платформі, де може виникнути потреба змінити робоче положення. Адже в цьому режимі ви випустите цвях, навіть якщо випадково торкнетеся контактною областю якого-небудь предмета. Якщо вам потрібно переміщуватися, переведіть інструмент у повний послідовний режим або вимкніть його, витягнувши акумулятор. Це знизить ризик травмувати себе або інших людей.

ПОПЕРЕДЖЕННЯ БЕЗПЕКИ РЕГУЛЮВАННЯ ГЛИБИНИ

- Перед регулюванням глибини приводного колеса вийміть акумулятор.
- Не відтягуйте коліщатко регулятора, його слід тільки обертати.
- Не натискайте на гачок, регулюючи глибину приводного колеса.
- Перед регулюванням глибини, завжди вибирайте повний режим послідовної стрільби.
- Не спрямовуйте продукт на себе чи кого-небудь поблизу, коли регулюєте глибину.

ДОДАТКОВІ ПОПЕРЕДЖЕННЯ З ТЕХНІКИ БЕЗПЕКИ ЩОДО ВИКОРИСТАННЯ АКУМУЛЯТОРІВ

▲ ПОПЕРЕДЖЕННЯ

Для запобігання небезпеці пожежі в результаті короткого замикання, травмат і пошкодженню виробів не занурюйте інструмент, змінний акумулятор або зарядний пристрій у рідину і не допускайте потрапляння рідини всередину пристроїв або акумуляторів. Корозійні і струмопровідні рідини, такі як солоний розчин, певні хімікати, вибілювальні засоби або продукти, що їх містять, можуть призвести до короткого замикання.

ТРАНСПОРТУВАННЯ ЛІТІЄВИХ БАТАРЕЙ

Транспортуйте батарею відповідно до місцевих та національних положень та правил.

Дотримуйтеся усіх спеціальних вимог щодо пакування та маркування при транспортуванні батареї третьою стороною. Переконайтеся, що батареї не можуть вступати в контакт з іншими батареями або провідними матеріалами при транспортуванні, захищаючи відкриті роз'єми ізоляційними непроводящими кришками або стрічкою. Не перевозити батареї, які мають тріщини або протечки. Консультуйтеся з експедиторською компанією для подальших консультацій.

ЗАЛИШКОВІ РИЗИКИ

Навіть коли продукт використовується як написано, залишається неможливим повністю усунути деякі залишкові чинники ризику. Наступні небезпеки можуть виникнути і оператор повинен звернути особливу увагу, щоб уникнути наступного:

- Пошкодження слуху
Примітка: Завжди носіть ефективний захист слуху і обмежить вплив шуму.
- Травми ока, спричинені неправильним забиванням цвяхів, скалками або частинками сміття.
Примітка: Увесь час одягайте захисні окуляри.
- Травми, викликані вібрацією
Примітка: Тримайте інструмент за позначені ручки і обмежить вплив вібрації. Дивіться «ЗНИЖЕННЯ РИЗИКУ».
- Рвані рани, спричинені контактом з гострими краями. **Примітка:** Будьте особливо обережні, коли забуваєте або завантажуєте цвяхи.
- Інструмент важкий.
Примітка: Продукт важкий. Не перенапружуйте м'язи, якщо працюєте з інструментом протягом тривалого часу, особливо коли виконуєте роботи на стелі.

ЗНИЖЕННЯ РИЗИКУ

Відомі випадки, коли вібрація від ручних інструментів сприяє появі так званого синдрому Рейно. Симптоми можуть включати поколювання, оніміння і збліднення пальців, як правило, очевидні при впливі холоду. Спадкові фактори, вплив холоду і вогкості, дієта, куріння і робоча практика, всі ці чинники роблять свій внесок у розвиток цих симптомів. Ці заходи можуть бути прийняті оператором, щоб можливо зменшити вплив вібрації:

- Тримайте тіло в теплі в холодну погоду. При експлуатації приладу, одягайте рукавички, щоб тримати руки і зап'ястя у теплі. Повідомлялося, що холодна погода є основним чинником, що сприяє синдрому Рейно.



- Після кожного періоду роботи, здійсніть вправи для підвищення кровообігу.
- Робіть часті перерви в роботі. Зробіть обмеження кількості впливу на день.

Якщо ви відчуваєте будь-які з симптомів цього стану, негайно припиніть використання і зверніться до лікаря з ціми симптомами.

⚠ ПОПЕРЕДЖЕННЯ

Тривале використання інструменту може викликати або посилити травми. При використанні інструменту протягом тривалого періоду, робіть регулярні перерви.

ЗНАЙТЕ СВІЙ ПРОДУКТ

Дивіться сторінку 105.

1. Перемикач режиму пуску
2. Вимикач світлодіодів
3. Ручка керування, ізольована поверхня для утримання
4. Регулятор тиску повітря
5. Регулятор глибини забивання
6. Важіль для усунування заклинення
7. Привід контактної області
8. Нижнє вікно індикатора наявності цвяхів
9. Касета
10. Фіксатор засувки касети
11. Курок для забивання цвяха
12. Зажим для ременя
13. Баттері порт

ОБСЛУГОВУВАННЯ

⚠ ПОПЕРЕДЖЕННЯ

Продукт не повинен бути підключений до джерела живлення, коли ви збираєте деталі, регулюєте, чистите, проводите технічне обслуговування або коли продукт не використовується. Відключення продукту буде запобігати випадковому запуску, який може призвести до серйозних травм.

- При обслуговуванні використовуйте тільки ідентичні запасні частини. Використання будь-яких інших деталей може створити небезпеку або спричинити пошкодження продукту.
- Не використовуйте розчинники для очищення пластмасових деталей. Більшість пластмас вразливі до різних видів комерційних розчинників і може бути пошкоджена їх використанням. Використовуйте чисті ганчірки для видалення бруду і вугільного пилу.
- Ніколи не дозволяйте гальмівній рідині, бензину,

продуктам на основі нафти, і проникаючим маслам вступати в контакт з пластиковими деталями. Вони містять хімічні речовини, які можуть зашкодити, послабити або знищити пластик.

- Завжди надягайте захисні окуляри або захисні окуляри з бічними щитками під час роботи електроінструмента або при здуванні пилу. Якщо робота пильна, також носіть захисну маску.
- Для більшої безпеки і надійності, всі ремонтні роботи повинні виконуватися в авторизованому сервісному центрі.

ЗМАЦУВАННЯ

Всі підшипники в продукті змащені достатньою кількістю високоякісного мастила для всього терміну служби продукту при нормальних умовах експлуатації. Таким чином, додаткове змащення не потрібно.

Не використовуйте мастила для цвяхів, касети цвяхів або приводного механізму. Утримувати чистим.

ЗАХИСТ НАВКОЛИШНЬОГО СЕРЕДОВИЩА.



Переробляйте сировину замість утилізації в якості відходів. Машини, обладнання та упаковка повинні бути відсортовані для дружньої для навколишнього середовища утилізації.

СИМВОЛИ



Попередження безпеки



СЕ відповідність



Євразійський знак відповідності



Український знак відповідності



Прочитайте посібник оператора



Робочі сигнали світлодіодів



Регулювання глибини



Повне послідовне спрацювання



Контактне спрацювання



Відходи електротехнічної продукції не слід викидати разом із побутовими відходами. Будь ласка, переробляйте там, де наявне устаткування.

Перевірте з вашим місцевим органом влади або продавцем для консультацій з приводу переробки.

⚠ НЕБЕЗПЕКА

Вказує на неминуче небезпечну ситуацію, яка, якщо її не уникнути, може призвести до смерті або серйозних травм.

⚠ ПОПЕРЕДЖЕННЯ

Вказує на потенційно небезпечну ситуацію, яка, якщо її не уникнути, може призвести до смерті або серйозних травм.

⚠ ПОПЕРЕДЖЕННЯ

Вказує на потенційно небезпечну ситуацію, яка, якщо її не уникнути, може призвести до середньої або легкої травми.

ПОПЕРЕДЖЕННЯ

Вказує на ситуацію, яка може призвести до пошкодження майна.

СИМВОЛИ В ЦЬОМУ КЕРІВНИЦТВІ



Примітка



Наконечник



СВД світло



Глибоке проникнення



Неглибоке проникнення



Підключіть батарею



Крутний момент, максимальний



Крутний момент, мінімальний

Наступні сигнальні слова і змісти призначені для пояснення рівнів ризику, пов'язаних з продуктом.



Çivi tabancanız tasarlanırken temel öncelik güvenlik, performans ve güvenilirlik özelliklerine verilmiştir.

KULLANIM AMACI

Çivi tabancasının sadece, bu kılavuzdaki talimatları ve uyarıları okumuş ve anlamış ve eylemlerinden sorumlu tutulabilecek yetişkinler tarafından kullanılmalı amaçlanmaktadır.

Çivi tabancası, içerisinde uygun çivi şeridi yer alan bir kartuştaki çivileri ahşap veya benzer yumuşak malzemelere çakmaya yöneliktir. Ürün kartuşuna güvenli şekilde doldurulabilecek çiviler, bu kılavuzun ürün teknik özellikleri tablosunda belirtilmektedir. Bu çivi tabancası ile başka bir tip çivi veya tespit elemanı kullanmayın. İşkele, merdiven veya çalışma pozisyonunun değiştirilmesi gereken başka bir platform üzerinde çalışırken temaslara çalışma modunu kullanmayın. Bu gibi durumda yalnızca tam sıralı modu kullanın. Çivi tabancası, elektrik kablolarının sabitlenmesi için kullanılmamalıdır.

Bu ürünü belirtilen kullanım amacı dışında herhangi bir amaçla kullanmayın.

⚠ UYARI

Tüm güvenlik uyarılarını ve talimatlarını okuyun. Uyarıların ve talimatların yerine getirilmemesi elektrik çarpması, yangın ve/veya ciddi yaralanmalara yol açabilir.

Tüm uyarıları ve talimatları daha sonra başvurmak üzere saklayın.

ÇİVİ TABANCASI GÜVENLİK UYARILARI

- **Daima alette sabitleyici bulunduğunu varsayın.** Çivi tabancasının dikkatsiz bir şekilde taşınması sabitleyicilerin beklenmedik anda çalışmasına ve kişisel yaralanmaya neden olabilir.
- **Aleti kendinize veya yakındaki başka bir kimseye doğru tutmayın.** Tetiğe beklenmedik anda basılması sabitleyiciyi yaralanmaya neden olacak şekilde fırlattırabilir.
- **Alet üzerinde çalışılacak parça üzerine sıkı bir şekilde yerleştirilmeden aleti çalıştırmayın.** Alet üzerinde çalışılacak parçayla temas etmiyorsa sabitleyici hedefinden kaymış olabilir.
- **Sabitleyiciyi alete tuttururken aleti güç kaynağından ayırın.** Sıkışan sabitleyiciyi çıkartırken çivi tabancası fişe takılıysa kazara çalışabilir.
- **Sıkışan sabitleyiciyi çıkartırken dikkatli olun.** Mekanizma basınçla sıkışmış olabilir ve sıkışıklığı açmaya çalışırken sabitleyici kuvvetli bir şekilde fırlayabilir.
- **Bu çivi tabancasını elektrik kablolarını sabitlemek için kullanmayın.** Elektrik kablo kurulumu için tasarlanmamıştır ve elektrik kablolarının yalıtımına zarar verip elektrik çarpması veya yangın tehlikesine neden olabilir.
- **İLAZE GÜVENLİK UYARILARI**
 - Her zaman bu aletin amaç dışı ve hatalı kullanımının kendinizin veya başkalarının yaralanmasına neden olabileceğini bilincinde olun.
 - Alet tek elle kullanılmak üzere tasarlanmıştır. Ürün yalnızca çalıştırma kolundan tutulmalıdır. Diğer elinizi çalışma alanından ve üründen uzakta tutun. Çivi çakarken ciddi fiziksel yaralanmaları önlemek için başınızı veya diğer uzuvlarınızı ürüne yaklaştırmayın.
 - İş parçası temas elemanının her zaman sabitlenecek malzemenin üzerine tam olarak yerleştirildiğinden emin olun. İş parçası temas elemanının, sabitlenecek malzemenin üzerine kısmen yerleştirilmesi, çivinin malzemeyi tamamen iskalamasına ve ciddi fiziksel yaralanmaya neden olabilir.
 - Çivileri materyallerin kenarına takmayın. Üzerinde çalışılacak parça çivinin sekmesine ve sizin veya meslektaşınızın yaralanmasına neden olacak şekilde ayrılabilir. Çivinin üzerinde çalışılan materyalin kenarından beklenmedik şekilde dışarı çıkmasına veya yönünün sapmasına ve yaralanmaya neden olabilecek şekilde ağaç damarını izleyebileceğini unutmayın.
 - Ellerinizi ve vücudunuzu zarar verebilecek yerlerden uzak tutmanız gerektiğinde üzerinde çalışılan parçayı kelepçelerle tutun. İş parçası temas elemanını malzeme üzerine yerleştirmeden önce sabitlenecek malzemenin güvenli şekilde tutturulduğundan emin olun. Çivi çakmak, malzemenin beklenmedik şekilde kaymasına neden olabilir.
 - Erişimi sınırlı alanlarda çalışırken yüzünüzü ve uzuvlarınızı alet başlığının arka tarafından uzak tutun. Ani geri tepme özellikle sert ve kalın materyalleri çivilerken gövdenizin darbe almasına sebep olabilir.
 - Normal kullanım sırasında alet bir sabitleyici takıldıktan hemen sonra geri tepecektir. Çivi tabancasını üzerinde çalışılan parçasının üzerinde tutarak geri tepmeyi önlemeye çalışmayın. Geri tepmenin engellenmesi ikinci sabitleyicinin çivi tabancasından çıkmasına neden olabilir. Sapı sıkıca tutun, aleti çalıştırın ve diğer elinizi hiçbir zaman aletin üzerine veya egzozun yanına koymayın. Bu uyarının dikkate alınmaması ciddi kişisel yaralanmalarla sonuçlanabilir.
 - Sabitleyicilerin yönünden saparak yaralanmaya neden olabileceğinden sabitleyicileri diğer sabitleyicilerin veya aletin üzerine aşırı dik bir açıda takmayın.
 - Ürünü bu gibi çalışma alanlarında kullanmadan önce çalışma alanını gizli kablolar, gaz tesisatına, su tesisatına vb. karşı kontrol edin.
 - Ürünü kontak anahtarıyla tahrik modunda kullandıktan sonra tam sıralı moda geri getirin.



- Çivi çakma derinliği, istediğiniz derinliğin üzerine ayarlanabilir. Uygulama derinliğini belirlemek ve, gerekirse, ayarlamak için çivi çakma derinliğinin bir hurda iş parçası üzerinde kontrol edilmesi tavsiye edilir.
- Bu aletle birlikte yalnızca ürün özellik tablosundaki açıklamaları karşılayan sabitleyicileri kullanılabilir. Yanlış sabitleyicilerin kullanılması sıkışmaya ve başka arızalara neden olabilir.
- Vücut pozisyonunuzu değiştirmeniz gerekebilecek iskeleler, merdivenler veya platformlar üzerinde çalışırken temasla çalışma modunu kullanmayın. Temasla çalışma modu seçilirse hareket ederken iş parçası temas elemanının kazara etkinleşmesi nedeniyle istemeden bir çivi fırlatabilirsiniz. Pozisyonunuzu değiştirirken tam sıralı çalışma modunu seçin veya pil takımını çıkartarak ürünü tamamen devre dışı bırakın. Bu, sizin veya diğer kişilerin yaralanma potansiyelini azaltır.

DERİNLİK AYARI GÜVENLİK UYARILARI

- Tahrik dişlisinin derinliğini ayarlamadan önce daima pili çıkartın.
- Ayar dişlisini geri çekmeyin, dişli dönerek kullanılacak şekilde tasarlanmıştır.
- Tahrik dişlisinin derinliğini ayarlarken tetiğe basmayın.
- Tahrik derinliğini ayarlamadan önce daima tam sıralı çalışma modunu seçin.
- Tahrik derinliğini ayarlarken aleti kendinize veya yakındaki başka bir kimseye doğru tutmayın.

PİL İÇİN EK GÜVENLİK UYARILARI

⚠ UYARI

Bir kısa devreden kaynaklanan yangın, yaralanma veya ürün hasarları tehlikesini önlemek için aleti, güç paketini veya şarj cihazını asla sıvıların içine daldırmayınız ve cihazların ve pillerin içine sıvı girmesini önleyiniz. Tuzlu su, belirli kimyasallar, ağartıcı madde veya ağartıcı madde içeren ürünler gibi korozif veya iletken sıvılar kısa devreye neden olabilir.

LITYUM PİLLERİN NAKLIYESİ

Pili yerel ve ulusal hükümlere ve yönetmeliklere göre nakledin.

Piller üçüncü bir şahıs tarafından nakledilirken ambalaj ve etiket üzerindeki tüm özel gereksinimlere uyun. Açıktaki konektörleri iletken olmayan yalıtım başlıkları veya bant ile koruyarak pillerin nakliye sırasında diğer pillerle veya iletken materyallerle temas etmediğinden emin olun. Çatlak veya sızıntı yapan pilleri nakletmeyin. Daha fazla bilgi için nakliye şirketine danışın.

ARDIL RİSKLER

Ürün belirtildiği şekilde kullanıldığı zaman bile belirli artık risk faktörlerinin tamamen ortadan kaldırılması mümkün değildir. Kullanım sırasında aşağıdaki tehlikeler ortaya çıkabilir ve operatör bunlardan kaçınmak için özellikle dikkat etmelidir:

- İşitme kaybı
Not: Daima etkili bir koruyucu kulaklık kullanın ve gürültü maruziyetini azaltın.
- Yanlış çakılan çiviler veya fırlayan toz ve moloz nedeniyle göz yaralanması meydana gelebilir.
Not: Her zaman uygun göz koruması takın.
- Titreşim kaynaklı yaralanma
Not: Aleti belirlenen kollarla tutun ve titreşim maruziyetini azaltın. Bkz. "Risk Azaltma".
- Keskin kısımlar ile temas nedeniyle derin kesikler meydana gelebilir.
Not: Çivileri taşırken veya doldururken ekstra dikkatli olun.
- Ürün ağırdır.
Not: Ürün ağırdır. Ürünü uzun süre kullanırken, özellikle baş üstünde kullanıyorsanız kas gerinliğine dikkat edin.

RİSK AZALTMA

El aletlerinden kaynaklanan titreşimlerin belirli kişilerde Raynaud Sendromu olarak adlandırılan bir durumu etkileyebileceği rapor edilmiştir. Karıncalanma, hissizlik ve parmakların sararması gibi genelde soğuğa maruz kaldıktan sonra görülen semptomlar oluşabilir. Kalıtsal faktörler, soğuğa ve neme maruz kalmak, diyet, sigara ve çalışma pratikleri de bu semptomların oluşmasına neden olabilecek etkenler olarak kabul edilmektedir. Operatör titreşim etkilerini azaltabilecek önlemler alabilir:

- Soğuk havalarda vücudunuzu sıcak tutun. Ürünü çalıştırırken ellerinizi ve bileklerinizi sıcak tutmak için eldiven takın. Soğuk havanın Raynaud Sendromunun ana tetikleyicilerinden olduğu bildirilmiştir.
- Her operasyon sürecinden sonra kan dolaşımını arttırmak için egzersiz yapın.
- Sık sık işe ara verin. Günlük maruziyet miktarını sınırlandırın.

Bu rahatsızlığın semptomlarından herhangi birini görürseniz, aleti kullanmayı derhal bırakın ve bir doktora görünün.

⚠ UYARI

Bir aletin uzun süre kullanılması nedeniyle yaralanmalar olabilir veya mevcut yaraların durumu kötüleşebilir. Herhangi bir aleti uzun bir süre boyunca kullanırken düzenli olarak ara vermeyi ihmal etmeyin.



ÜRÜNÜNÜZÜ TANIYIN

Sayfa 105'ya bakın.

1. Çivi çakma modu seçici
2. LED ışıklı tetik
3. Çalıştırma kolu, yalıtılmış kavrama yüzeyi
4. Hava basıncı ayar düğmesi
5. Çivi derinliği ayar tekeri
6. Sıkışma açma kolu
7. İş parçasıyla temas aktüatörü
8. Düşük çivi seviyesi göstergesi
9. Kartuş
10. Kartuş kaydırma mandalı
11. Çivi çakma çalıştırma tetiği
12. Kemer kancası
13. Pili bağlantı noktası

BAKİM

⚠ UYARI

Parçaları monte ederken, ayar, temizlik, bakım çalışması yaparken veya ürün kullanılmadığı zaman ürünü asla güç kaynağına bağlamayın. Ürünün bağlantısının kesilmesi ciddi yaralanmalara neden olabilecek kazara çalışmayı önleyecektir.

- Servis hizmetinde sadece aynı yedek parçaları kullanın. Diğer parçaları kullanmak tehlike yaratabilir ya da hasara neden olabilir.
- Plastik parçaları temizlerken solventleri kullanmaktan kaçının. Plastiklerin çoğu ticari kullanımlı uçucu maddeler karşı hassastır. Lekeleri, tozu, vb. temizlemek için temiz bir bez kullanınız.
- Asla fren hidroliğinin, benzinin, petrol esaslı ürünlerin, yüzeye işleyen yağların vb. plastik parçalarla temas etmesine izin vermeyin. Bu kimyasal ürünler, plastiğe zarar verebilecek, kırılır hale getirebilecek ya da yok edebilecek maddeler içermektedir.
- Elektrikli aletlerle çalışma veya toz üfleme işlemi esnasında daima yan siperlikleri bulunan koruyucu gözlükler kullanın. İşlem tozlu olacaksa aynı zamanda bir toz maskesi de kullanın.
- Güvenliği ve güvenilirliği arttırmak için tüm onarım çalışmaları yetkili bir servis merkezi tarafından gerçekleştirilmelidir.

YAĞLAMA

Üründeki tüm yataklar normal çalışma koşullarında ürünün hizmet ömrü boyunca yeterli miktarda yüksek kalite yağ ile yağlanır. Buna göre, fazladan yağlama yapılmasına gerek yoktur.

Çivi, çivi kartuşu veya tahrik mekanizması üzerinde yağ kullanmayın. Temiz tutun.

ÇEVRENİN KORUNMASI



Ham maddeleri çöp olarak atmak yerine geri dönüştürün. Çevreyi korumak için, alet, aksesuarlar ve ambalajlar tasnif edilmelidir.

SEMBOLLER



Güvenlik ikazı



CE uygunluğu



EurAsian Uyumluluk işareti



Ukrayna uygunluk işareti



Kullanım kılavuzunu okuyun



LED çalışma ışıkları



Derinlik ayarı



Tam sıralı çalıştırma



Kontak ile çalıştırma



Atık elektrikli ürünler evsel atıklarla birlikte atılmamalıdır. Tesis bulunuyorsa lütfen geri dönüşüme verin. Geri dönüşümle ilgili tavsiye için Yerel Makamlarla veya bayi ile irtibat kurun.

BU KILAVUZDAKİ SİMGELER



Not



Uç



LED ışık



Derin penetrasyon



Dar penetrasyon



Aküyü takın.



Maksimum tork



Tork, Minimum

Aşağıdaki işaret sözcükleri ve anlamları, bu ürünle ilişkili risk seviyelerini açıklamaya yöneliktir:

⚠ TEHLİKE

Önlenmemesi durumunda ölüm veya ciddi yaralanma ile sonuçlanacak, tehdit edici tehlikeli bir durumu gösterir.

⚠ UYARI

Önlenmemesi durumunda ölüm veya ciddi yaralanma ile sonuçlanabilecek potansiyel olarak tehlikeli bir durumu gösterir.

⚠ DİKKAT

Önlenmemesi durumunda önemsiz veya orta derece yaralanma ile sonuçlanabilecek potansiyel olarak tehlikeli bir durumu gösterir.

DİKKAT

(Güvenlik Uyarı Sembölü Yok) Mal hasarına neden olabilecek bir durumu gösterir.



Στον σχεδιασμό του καρφωτικού σας έχει δοθεί μέγιστη προτεραιότητα στην ασφάλεια, την απόδοση και την αξιοπιστία.

ΠΡΟΟΡΙΖΟΜΕΝΗ ΧΡΗΣΗ

Το καρφωτικό διατίθεται για χρήση μόνο από ενήλικες που έχουν διαβάσει και κατανοήσει τις οδηγίες και τις προειδοποιήσεις του παρόντος εγχειριδίου και μπορούν να θεωρηθούν υπεύθυνοι για τις πράξεις τους.

Το καρφωτικό διατίθεται για την τοποθέτηση καρφιών σε ξύλο ή παρόμοια μαλακά υλικά, από γεμιστήρα που περιέχει λωρίδα με κατάλληλα καρφιά. Τα καρφιά που μπορούν να προστεθούν με ασφάλεια στο γεμιστήρα για το προϊόν, περιγράφονται στον πίνακα προδιαγραφών του προϊόντος στο παρόν εγχειρίδιο. Μη χρησιμοποιείτε άλλους τύπους καρφιών ή στερεωτικών με το καρφωτικό. Μη χρησιμοποιείτε το καρφωτικό σε λειτουργία ενεργοποίησης επαφής όταν εργάζεστε σε σκαλωσιά, σκάλα ή άλλη πλατφόρμα όπου απαιτείται αλλαγή στη θέση εργασίας. Σε αυτές τις περιπτώσεις χρησιμοποιείτε μόνο την πλήρη διαδοχική λειτουργία. Το καρφωτικό δεν πρέπει να χρησιμοποιείται για τη στερέωση ηλεκτρικών καλωδίων.

Μην χρησιμοποιείτε το προϊόν με τρόπο διαφορετικό από αυτόν που αναφέρεται για τη χρήση του.

⚠ ΠΡΟΕΙΔΟΠΟΙΗΣΗ

Διαβάστε όλες τις συστάσεις ασφαλείας και τις οδηγίες. Αν δεν τηρηθούν οι προειδοποιήσεις και οδηγίες, υπάρχει κίνδυνος ηλεκτροπληξίας, φωτιάς και / ή σοβαρού τραυματισμού.

Φυλάσσετε όλες τις προειδοποιήσεις και οδηγίες για μελλοντική χρήση.

ΠΡΟΕΙΔΟΠΟΙΗΣΕΙΣ ΑΣΦΑΛΕΙΑΣ ΓΙΑ ΤΟ ΚΑΡΦΩΤΙΚΟ

- **Να υποθέτετε πάντα ότι το εργαλείο περιέχει συνδετήρες.** Απρόσεκτος χειρισμός του καρφωτικού μπορεί να επιφέρει μη αναμενόμενη εξαπόλυση συνδετήρων και ατομικό τραυματισμό.
- **Μην κατευθύνετε το εργαλείο προς εσάς ή οποιουδήποτε άλλους κοντά.** Μη αναμενόμενη εξαπόλυση θα πυροδοτήσει το συνδετήρα με συνέπεια τραυματισμό.
- **Μην ενεργοποιήσετε το εργαλείο εκτός εάν αυτό έχει τοποθετηθεί σφικτά αντίθετα από το τεμάχιο επεξεργασίας.** Εάν το εργαλείο δεν έρχεται σε επαφή με το τεμάχιο επεξεργασίας, ο συνδετήρας μπορεί να εκτραπεί μακριά από το στόχο σας.
- **Αποσυνδέστε το εργαλείο από την πηγή ισχύος όταν ο συνδετήρας μπλοκάρει στο εργαλείο.** Όταν αφαιρείτε έναν μπλοκαρισμένο συνδετήρα, το καρφωτικό μπορεί να ενεργοποιηθεί κατά τύχη εάν είναι συνδεδεμένο.

- **Να είστε προσεκτικοί κατά την αφαίρεση ενός μπλοκαρισμένου συνδετήρα.** Ο μηχανισμός μπορεί να βρίσκεται υπό συμπίεση και ο συνδετήρας μπορεί να εκτοξευθεί με δύναμη ενώ προσπαθείτε να αποδεσμεύσετε μια κατάσταση εμπλοκής.
- **Μη χρησιμοποιείτε αυτό το καρφωτικό για τη σύσφιξη ηλεκτρικών καλωδίων.** Δεν έχει σχεδιαστεί για εγκατάσταση ηλεκτρικών καλωδίων και μπορεί να προκληθεί ζημία στη μόνωση των ηλεκτρικών καλωδίων με συνέπεια ηλεκτροπληξία ή κίνδυνο πυρκαγιάς.

ΕΠΙΠΡΟΣΘΕΤΕΣ ΠΡΟΕΙΔΟΠΟΙΗΣΕΙΣ ΑΣΦΑΛΕΙΑΣ

- Να θυμάστε ότι η κακή χρήση και ο ανάρμοστος χειρισμός του εργαλείου μπορούν να προκαλέσουν τραυματισμούς σε εσάς και σε άλλους.
- Το εργαλείο έχει σχεδιαστεί για χρήση με το ένα χέρι μόνο. Κρατάτε το προϊόν μόνο από τη λαβή λειτουργίας. Διατηρείτε το άλλο χέρι σας μακριά από την περιοχή εργασίας και το προϊόν. Μην τοποθετείτε το κεφάλι σας ή άλλα σημεία του σώματός σας κοντά στο προϊόν όσο τοποθετείτε καρφιά, για την αποφυγή σοβαρού τραυματισμού.
- Να είστε πάντα βέβαιοι ότι η επαφή του τεμαχίου εργασίας είναι πάντα πλήρως τοποθετημένο πάνω από το υλικό που θα προσδεθεί. Η τοποθέτηση της επαφής τεμαχίου εργασίας εν μέρει πάνω από το υλικό που θα προσδεθεί, μπορεί να προκαλέσει εσφαλμένη τοποθέτηση του καρφιού μακριά από το υλικό και σοβαρό τραυματισμό.
- Μην οδηγείτε τα καρφιά κοντά στο άκρο του υλικού. Το τεμάχιο επεξεργασίας μπορεί να κοπεί με συνέπεια εξοστρακισμό του καρφιού, τραυματισμό σε εσάς ή σε συναδέλφους. Να λαμβάνετε υπόψη ότι το καρφί μπορεί να ακολουθεί τα "νερά" του ξύλου κάνοντας το να προεξέχει απρόσμενα από τα πλάγια του υλικού εργασίας ή να παρεκκλίνει με πιθανότητα πρόκλησης τραυματισμού.
- Κρατήστε το τεμάχιο επεξεργασίας με μέγνην όπου απαιτείται ώστε να μην θέτετε σε ενδεχόμενο κίνδυνο τα χέρια και το σώμα. Βεβαιωθείτε ότι το υλικό έχει προσδεθεί καλά και έχει ασφαλιστεί πριν πιέσετε την επαφή τεμαχίου εργασίας κόντρα στο υλικό. Η τοποθέτηση του καρφιού μπορεί να προκαλέσει απρόσμενη μετατόπιση του υλικού.
- Διατηρείτε το πρόσωπο και το σώμα μακριά από το πίσω μέρος του πώματος εργαλείου κατά την εργασία σε στενούς χώρους. Ξαφνικό κλώτσημα μπορεί να επιφέρει χτύπημα στο σώμα, ειδικά όταν καρφώνετε σε σκληρό ή αδιαπέραστο υλικό.
- Κατά τη φυσιολογική χρήση το εργαλείο θα κλωτσήσει αμέσως αφού οδηγηθεί ο συνδετήρας. Μην προσπαθείτε να εμποδίσετε αντεκτίναξη κρατώντας το καρφωτικό αντίθετα προς το τεμάχιο επεξεργασίας. Περιορισμός στο κλώτσημα μπορεί να επιφέρει οδήγηση δεύτερου συνδετήρα από το καρφωτικό. Πιάστε τη λαβή σφικτά,





αφήστε το εργαλείο να δουλέψει και ποτέ μην βάζετε το δεύτερο χέρι στο επάνω μέρος του εργαλείου ή κοντά στην απαγωγή καυσαερίων. Αμέλεια τήρησης αυτής της προειδοποίησης μπορεί να προκαλέσει σοβαρό ατομικό τραυματισμό.

- Μην οδηγείτε τους συνδετήρες πάνω από άλλους συνδετήρες ή με το εργαλείο σε μια υπερβολικά απότομη γωνία καθώς έτσι μπορεί να προκληθεί εκτροπή των συνδετήρων με αποτέλεσμα τραυματισμό.
- Να ελέγχετε πάντα τον τομέα εργασίας για κρυμμένες καλωδιώσεις, γραμμές αερίου, αγωγούς νερού κλπ. προτού χρησιμοποιήσετε το προϊόν σε τέτοιο τομέα εργασίας.
- Μετά τη χρήση του προϊόντος στη λειτουργία ενεργοποίησης επαφής, γυρίστε το πάλι στη λειτουργία πλήρους αλληλουχίας.
- Το βάθος εισχώρησης του καρφιού μπορεί να προσαρμοστεί πέρα από το βάθος που απαιτείτε. Προτείνεται ο έλεγχος του βάθους εισχώρησης του καρφιού σε ένα πρόχειρο τεμάχιο εργασίας για να καθορίσετε και να προσαρμόσετε, αν χρειαστεί, το βάθος για την εφαρμογή.
- Μόνο συνδετήρες που ταιριάζουν στην περιγραφή του πίνακα προδιαγραφών προϊόντος μπορούν να χρησιμοποιούνται με αυτό το εργαλείο. Η χρήση εσφαλμένων συνδετήρων μπορεί να οδηγήσει σε εμπλοκή ή σε άλλες δυσλειτουργίες.
- Μην επιλέγετε τη λειτουργία ενεργοποίησης επαφής όταν εργάζεστε σε σκαλωσιές, σκάλες ή πλατφόρμες, όπου ενδέχεται να χρειαστεί να αλλάξετε στάση. Υπάρχει κίνδυνος τυχαίας εκτίναξης καρφιού με μη σκόπιμη ενεργοποίηση της επαφής τεμαχίου εργασίας ενώ κινείστε, εάν έχετε επιλέξει τη λειτουργία ενεργοποίησης επαφής. Όταν αλλάζετε θέση, επιλέξτε την πλήρη διαδοχική ενεργοποίηση ή απενεργοποιήστε πλήρως το προϊόν αφαιρώντας την μπαταρία. Έτσι μειώνεται ο κίνδυνος τραυματισμού για εσάς και τους άλλους.

ΠΡΟΕΙΔΟΠΟΙΗΣΕΙΣ ΑΣΦΑΛΕΙΑΣ ΡΥΘΜΙΣΗΣ ΒΑΘΟΥΣ

- Απομακρύνετε πάντα τη μπαταρία προτού ρυθμίσετε το βάθος του τροχού οδηγού.
- Μην αποσύρετε τον τροχό ρύθμισης, αυτός έχει σχεδιαστεί για περιστροφή.
- Μην πιέσετε τη σκανδάλη ενώ ρυθμίζετε το βάθος του τροχού οδηγού.
- Επιλέγετε πάντα τη λειτουργία εξαπόλυσης πλήρους αλληλουχίας, προτού ρυθμίσετε το βάθος του οδηγού.
- Μην κατευθύνετε το εργαλείο προς εσάς ή άλλους κοντά σας ενώ ρυθμίζετε το βάθος του οδηγού.

ΕΠΙΠΡΟΣΘΕΤΕΣ ΠΡΟΕΙΔΟΠΟΙΗΣΕΙΣ ΑΣΦΑΛΕΙΑΣ ΜΠΑΤΑΡΙΑΣ

▲ ΠΡΟΕΙΔΟΠΟΙΗΣΗ

Για να αποτρέπεται τον κίνδυνο πυρκαγιάς λόγω βραχυκυκλώματος, τραυματισμούς ή ζημιές του προϊόντος, να μη βυθίζετε το εργαλείο, τον ανταλλακτικό συσσωρευτή ή τη συσκευή φόρτισης σε υγρά και να φροντίζετε, ώστε να μη δεισδύουν υγρά στις συσκευές και τους συσσωρευτές. Διαβρωτικές ή αγώγιμες υγρές ουσίες, όπως αλατόνερο, ορισμένες χημικές ουσίες και λευκαντικά ή προϊόντα που περιέχουν λευκαντικά, μπορεί να προκαλέσουν βραχυκύκλωμα.

ΜΕΤΑΦΟΡΑ ΜΠΑΤΑΡΙΩΝ ΛΙΘΙΟΥ

Μεταφέρετε τη μπαταρία σε συμφωνία με τις τοπικές εθνικές διατάξεις και τους κανονισμούς.

Τηρείτε όλες τις ειδικές απαιτήσεις στη συσκευασία και στην ετικέτα κατά τη μεταφορά των μπαταριών από τρίτους. Εξασφαλίστε ότι δεν θα έρχονται σε επαφή οι μπαταρίες με άλλες μπαταρίες ή με αγώγιμα υλικά κατά τη διάρκεια της μεταφοράς, προστατεύοντας τους εκτεθειμένους συνδέσμους με μόνωση, μη αγώγιμα πώματα ή ταινία. Μη μεταφέρετε μπαταρίες που έχουν χτυπήματα ή διαρροή. Ενημερωθείτε από τη πρακτορεία μεταφορών για περαιτέρω ειδοποιήσεις.

ΑΛΛΟΙ ΚΙΝΔΥΝΟΙ

Ακόμη και όταν το προϊόν χρησιμοποιείται σύμφωνα με τις οδηγίες, δεν είναι δυνατή η απόλυτη απαλειφή συγκεκριμένων παραγόντων κινδύνου. Κατά τη χρήση μπορεί να προκύψουν οι ακόλουθοι κίνδυνοι και ο χειριστής πρέπει να δίδει ιδιαίτερη προσοχή προς αποφυγή των εξής:

- Βλάβες στην ακοή
Σημείωση: Φοράτε πάντα αποτελεσματικά προστατευτικά ακοής και περιορίζετε την έκθεση στον θόρυβο.
- Τραυματισμοί στα μάτια, από εσφαλμένα τοποθετημένα καρφιά ή εκτινασόμενη σκόνη και υπολείμματα.
Σημείωση: Φοράτε πάντα κατάλληλα προστατευτικά ματιών.
- Τραυματισμοί από τον κραδασμό
Σημείωση: Κρατάτε το εργαλείο από τις ειδικές λαβές και περιορίζετε την έκθεση στους κραδασμούς. Βλ. "Μείωση Κινδύνου".
- Αμυχές από επαφή με αιχμηρά σημεία.
Σημείωση: Προσέχετε ιδιαίτερα κατά τον χειρισμό ή την προσθήκη καρφιών.
- Το προϊόν είναι βαρύ.
Σημείωση: Το προϊόν είναι βαρύ. Προσέχετε τη μίμικη κόπωση κατά τη χρήση του εργαλείου για παρατεταμένη



περίοδο, ιδιαίτερα αν το χρησιμοποιείτε πάνω από το κεφάλι σας.

ΜΕΙΩΣΗ ΚΙΝΔΥΝΟΥ

Έχει αναφερθεί ότι οι κραδασμοί των χειροκίνητων εργαλείων μπορεί να συμβάλλει σε μια πάθηση γνωστή ως Σύνδρομο Raynaud σε ορισμένα άτομα. Τα συμπτώματα περιλαμβάνουν κνησμό, μούδιασμα και λευκότητα των δακτύλων, που εμφανίζονται συνήθως μετά την έκθεση σε κρύο. Κληρονομικοί παράγοντες, έκθεση σε κρύο και υγρασία, κάπνισμα και πρακτικές εργασίας θεωρείται ότι συμβάλλουν στην εκδήλωση των συμπτωμάτων. Μπορούν να ληφθούν μέτρα από το χειριστή για την πιθανή μείωση των επιδράσεων κραδασμών:

- Διατηρείτε το σώμα σας ζεστό όταν ο καιρός είναι ψυχρός. Φοράτε γάντια κατά τον χειρισμό του μηχανήματος, για να διατηρείτε ζεστά τα χέρια και τους καρπούς σας. Ο ψυχρός καιρός είναι κύριος παράγοντας που συμβάλλει στην εκδήλωση του συνδρόμου Raynaud.
- Μετά από κάθε περίοδο λειτουργίας, κάνετε ασκήσεις για να αυξάνετε την κυκλοφορία αίματος.
- Κάνετε τακτικά διαλείμματα κατά την εργασία. Περιορίζετε το σύνολο έκθεσης ανά ημέρα.

Αν παρουσιάσετε οποιοδήποτε σύμπτωμα αυτής της πάθησης, διακόψτε αμέσως τη χρήση και συμβουλευτείτε τον γιατρό σας για τα συμπτώματα.

ΠΡΟΕΙΔΟΠΟΙΗΣΗ

Υπάρχει κίνδυνος πρόκλησης ή επιδείνωσης τραυματισμού, από την παρατεταμένη χρήση εργαλείου. Όταν χρησιμοποιείτε το εργαλείο για μεγάλες περιόδους, κάνετε τακτικά διαλείμματα.

ΓΝΩΡΙΣΤΕ ΤΟ ΠΡΟΪΟΝ ΣΑΣ

Βλέπε σελίδα 105.

1. Επιλογέας λειτουργίας καρφώματος
2. Διακόπτης φωτισμού LED
3. Λαβή χειρισμού, μονωμένη επιφάνεια λαβής
4. Κουμπί ρύθμισης πίεσης αέρα
5. Τροχός προσαρμογής βάθους καρφίου
6. Μοχλός απεμπλοκής
7. Ενεργοποίηση επαφής τεμαχίου εργασίας
8. Παράθυρο ένδειξης εξάντλησης καρφιών
9. Γεμιστήρας
10. Πλαϊνό άγκιστρο γεμιστήρα
11. Διακόπτης ενεργοποίησης καρφώματος
12. Κλιπ ζώνης
13. Θύρα μπαταρίας

ΣΥΝΤΗΡΗΣΗ

ΠΡΟΕΙΔΟΠΟΙΗΣΗ

Το προϊόν δεν πρέπει ποτέ να συνδέεται σε παροχή ισχύος όταν συναρμολογείτε εξαρτήματα, όταν διεξάγετε ρυθμίσεις, καθαρισμό, συντήρηση ή όταν το προϊόν δε χρησιμοποιείται. Μια αποσύνδεση του προϊόντος θα εμποδίσει τυχαία εκκίνηση, η οποία θα μπορούσε να προκαλέσει σοβαρό τραυματισμό.

- Κατά τη συντήρηση, χρησιμοποιείτε μόνο πανομοιότυπα ανταλλακτικά. Η χρήση οποιοδήποτε άλλου ανταλλακτικού μπορεί να παρουσιάσει κίνδυνο ή να προκαλέσει ζημιά στο εργαλείο σας.
- Αποφύγετε τη χρήση διαλυτών κατά τον καθαρισμό πλαστικών εξαρτημάτων. Τα περισσότερα πλαστικά μπορούν να υποστούν ζημιά από τη χρήση ορισμένων διαλυτών που διατίθενται στο εμπόριο. Χρησιμοποιήστε ένα καθαρό πανάκι για να καθαρίσετε τις ακαθαρσίες, τη σκόνη, κλπ.
- Σε καμία περίπτωση μην επιτρέπεται τα υγρά φρένων, η βενζίνη, προϊόντα με βάση το πετρέλαιο, έλαια που διεισδύουν κλπ. να έρχονται σε επαφή με πλαστικά τμήματα. Τα προϊόντα αυτά περιέχουν χημικές ουσίες που μπορούν να προξενήσουν ζημιά, να μειώσουν ή να καταστρέψουν το πλαστικό.
- Φοράτε πάντα προστατευτικά γυαλιά ή γυαλιά ασφαλείας με πλαϊνές ασπίδες κατά τον χειρισμό μηχανοκίνητων εργαλείων ή σε εργασίες με σκόνη. Αν η εργασία προκαλεί σκόνη, φοράτε και ειδική μάσκα.
- Για μεγαλύτερη ασφάλεια και αξιοπιστία, όλες οι επισκευές πρέπει να διεξάγονται από ένα εξουσιοδοτημένο κέντρο σέρβις.

ΛΙΠΑΝΣΗ

Όλα τα έδρανα στο προϊόν έχουν λιπανθεί με επαρκή ποσότητα λιπαντικού υψηλής ποιότητας για όλη τη διάρκεια ζωής του προϊόντος, υπό φυσιολογικές συνθήκες λειτουργίας. Συνεπώς, δε χρειάζεται καμία επιπλέον λίπανση.

Μη χρησιμοποιείτε λιπαντικά στα καρφιά, στην υποδοχή καρφιών ή στο μηχανισμό οδήγησης. Διατηρείτε την καθαριότητα.

ΠΡΟΣΤΑΣΙΑ ΤΟΥ ΠΕΡΙΒΑΛΛΟΝΤΟΣ



Ανακυκλώνετε τις πρώτες ύλες αντί να τις πετάτε ως απορρίμματα. Για την προστασία του περιβάλλοντος, πρέπει να γίνεται η διαλογή του εργαλείου, των εξαρτημάτων και των συσκευασιών του.



ΣΥΜΒΟΛΑ



Προειδοποίηση ασφαλείας



Συμμόρφωση CE



EurAsian σήμα πιστότητας



Ουκρανικό σήμα συμμόρφωσης



Διαβάστε το εγχειρίδιο χρήστη



Λυχνίες εργασίας LED



Ρύθμιση βάθους



Ενεργοποίηση πλήρους αλληλουχίας



Ενεργοποίηση επαφής



Τα ηλεκτρικά προϊόντα προς απόρριψη δεν θα πρέπει να απορρίπτονται μαζί με τα οικιακά απόβλητα. Παρακαλούμε ανακυκλώστε όπου υπάρχουν οι αντίστοιχες εγκαταστάσεις. Μιλήστε με τις τοπικές αρχές ή τον πωλητή για να σας ενημερώσουν σχετικά με τα προγράμματα ανακύκλωσης.



Μέγιστη στρεπτική ροπή



Ροπή, ελάχιστος

Οι ακόλουθες προειδοποιητικές λέξεις και έννοιες προορίζονται να εξηγήσουν τα επίπεδα κινδύνου που συνδέονται με αυτό το προϊόν:

⚠ ΚΙΝΔΥΝΟΣ

Υποδεικνύει μια επικείμενη επικίνδυνη κατάσταση, η οποία, αν δεν αποφευχθεί, θα οδηγήσει σε θάνατο ή σοβαρό τραυματισμό.

⚠ ΠΡΟΕΙΔΟΠΟΙΗΣΗ

Υποδεικνύει μια δυνητικά επικίνδυνη κατάσταση, η οποία, αν δεν αποφευχθεί, θα οδηγήσει σε θάνατο ή σοβαρό τραυματισμό.

⚠ ΠΡΟΣΟΧΗ

Υποδεικνύει μια δυνητικά επικίνδυνη κατάσταση, η οποία, αν δεν αποφευχθεί, ενδέχεται να οδηγήσει σε ελαφρύ ή μέτριο τραυματισμό.

ΠΡΟΣΟΧΗ

(Χωρίς σύμβολο προειδοποίησης ασφαλείας) Υποδεικνύει μια κατάσταση που μπορεί να οδηγήσει σε υλικές ζημιές.

ΕΙΚΟΝΙΔΙΟ ΣΤΟ ΕΓΧΕΙΡΙΔΙΟ



Σημείωση



Άκρη



Φως LED



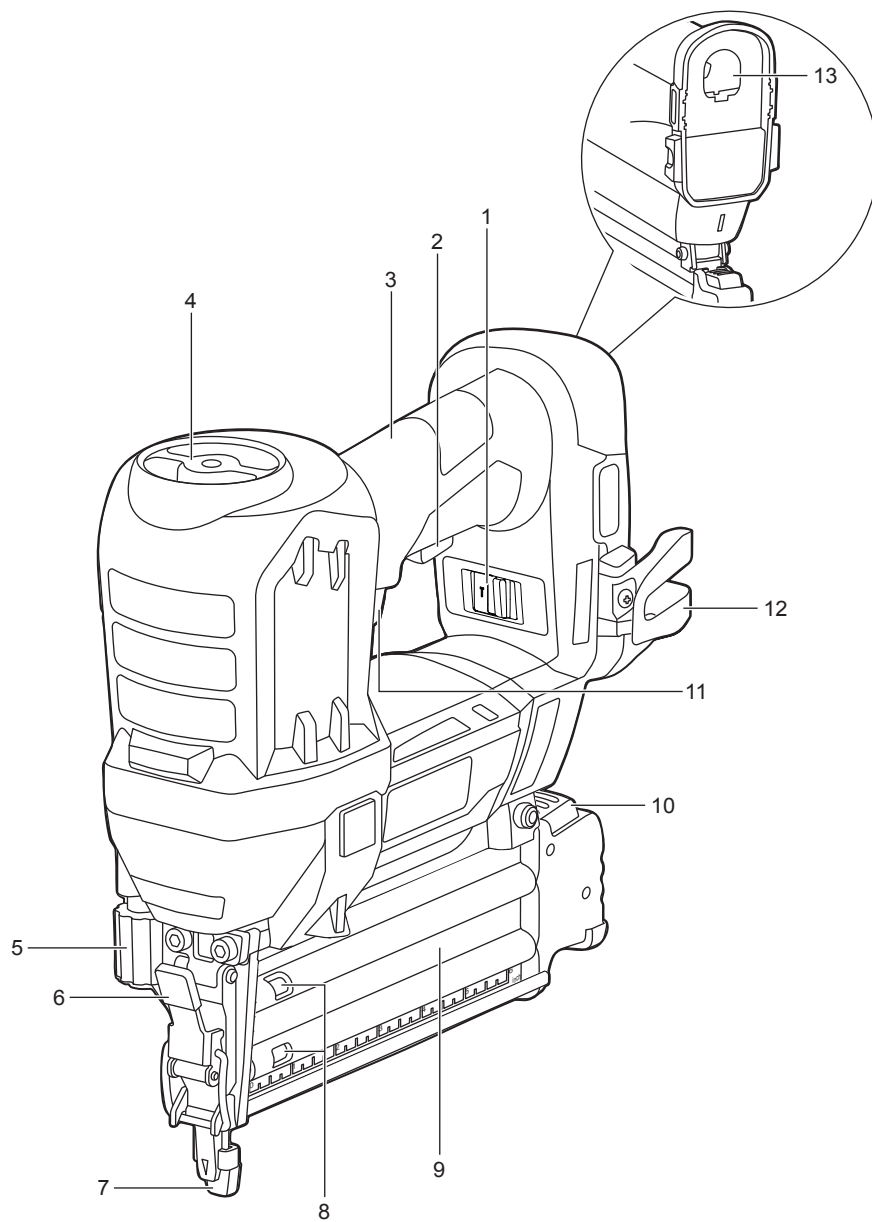
Διείσδυση σε βάθος



Ρηχή διείσδυση

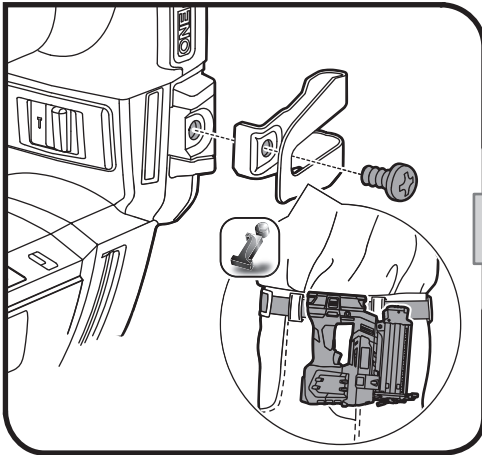


Συνδέστε την μπαταρία

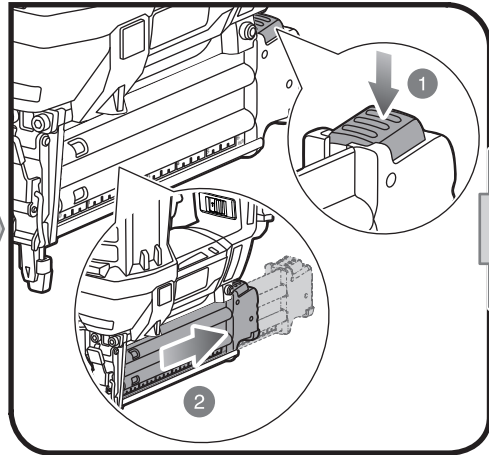




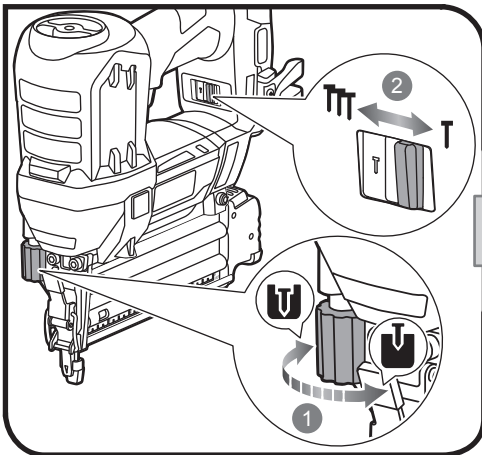
1



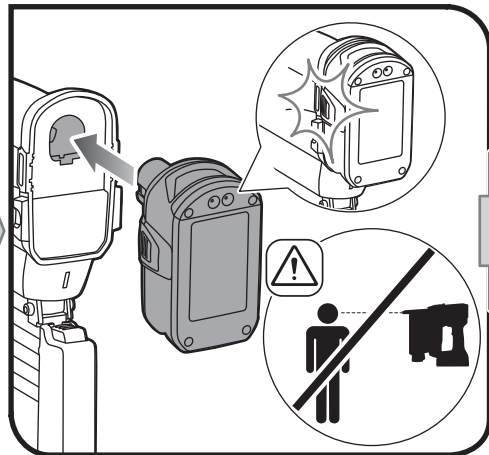
2



5

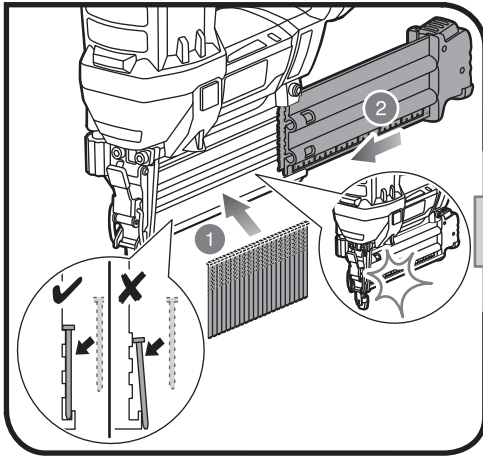


6

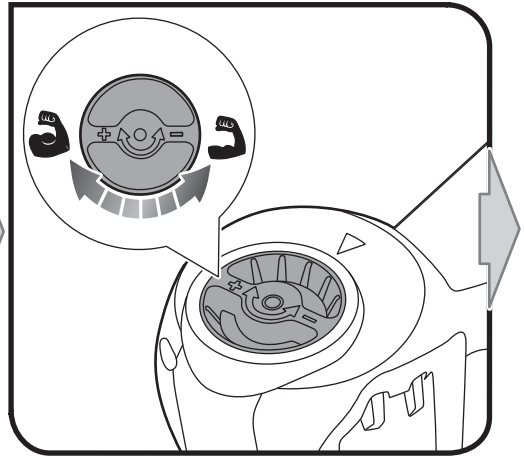




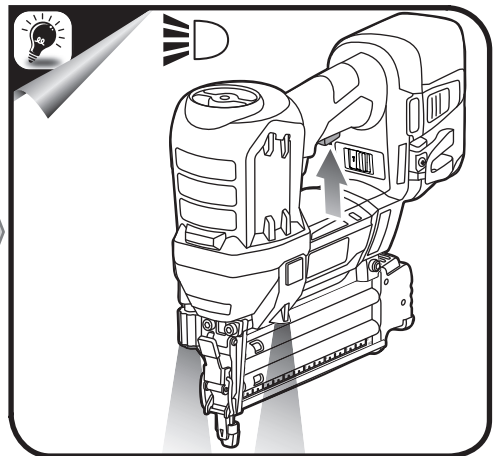
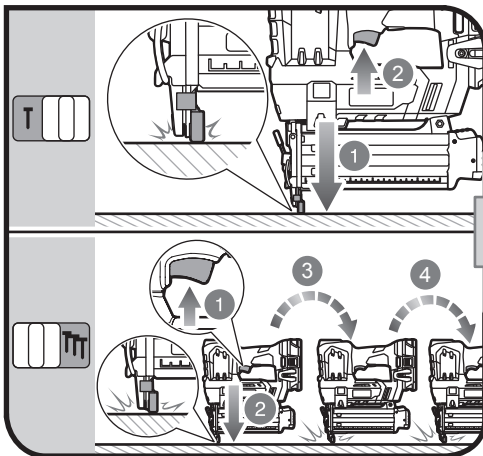
3

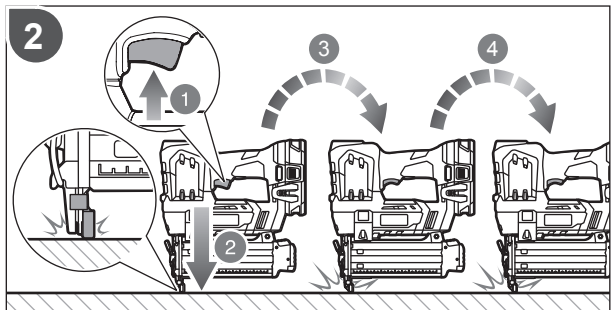
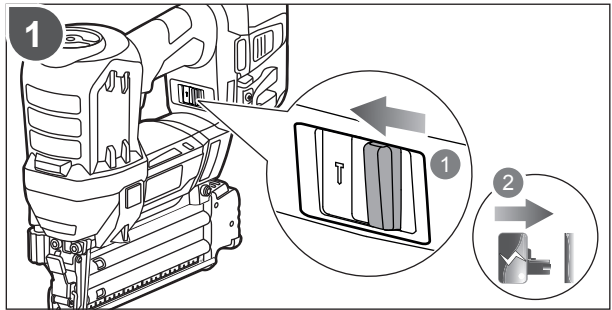
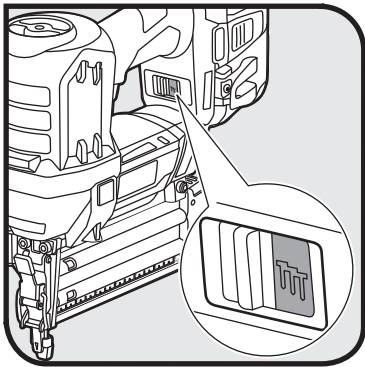
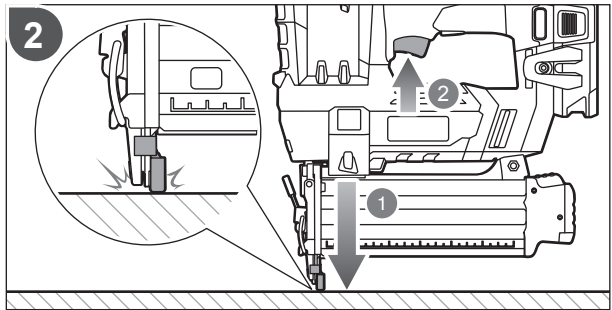
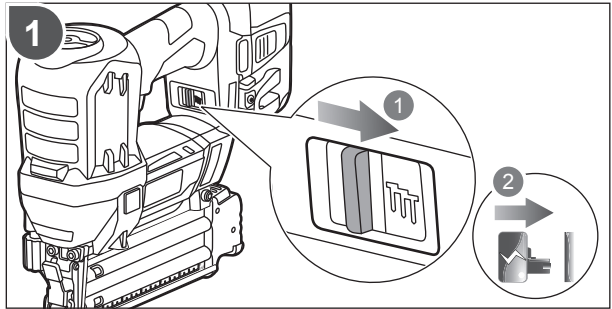
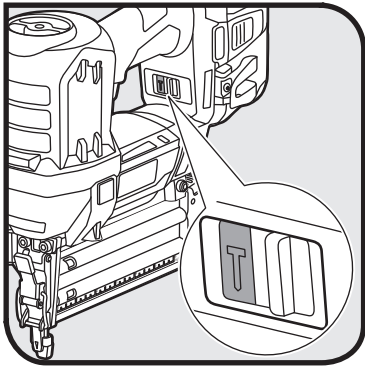


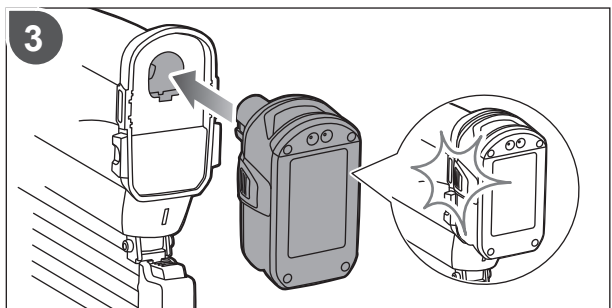
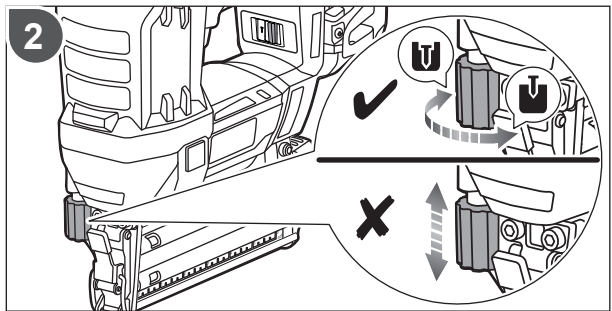
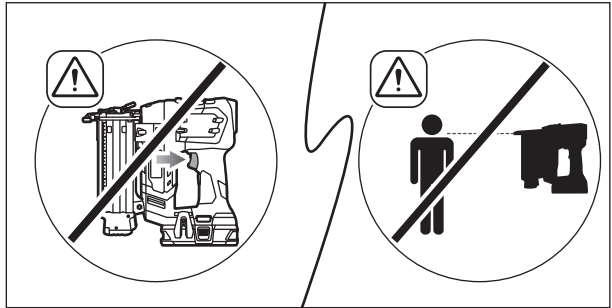
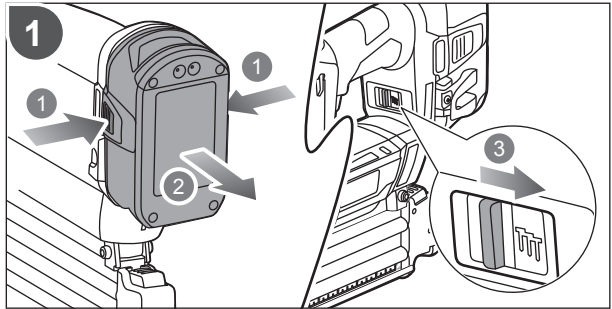
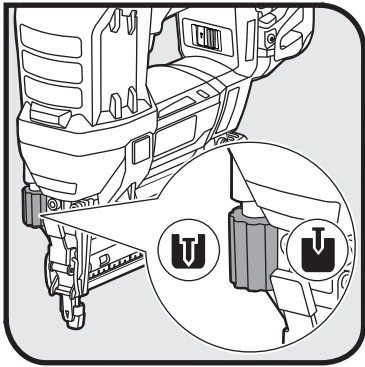
4

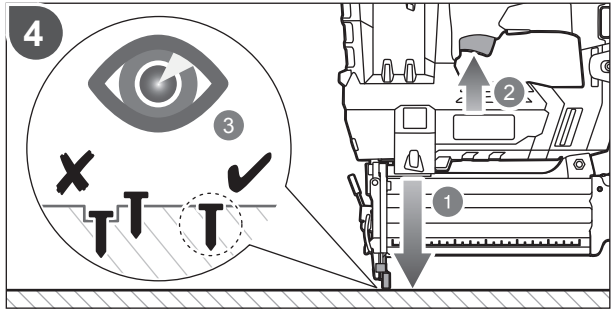


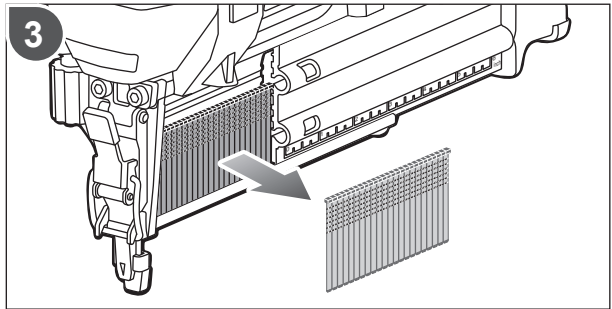
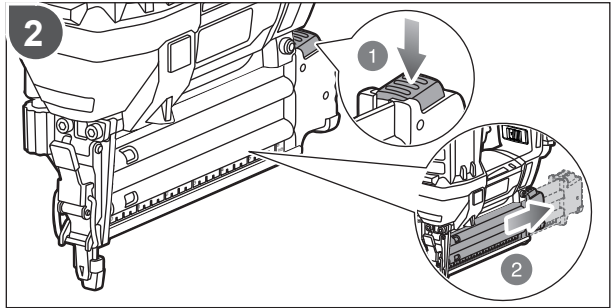
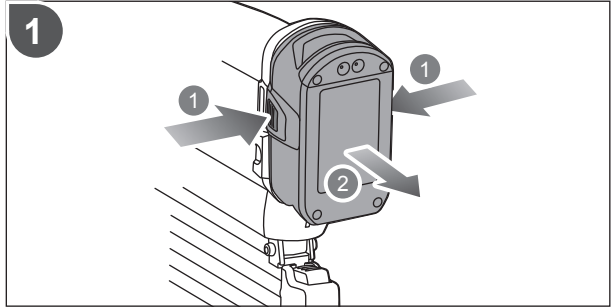
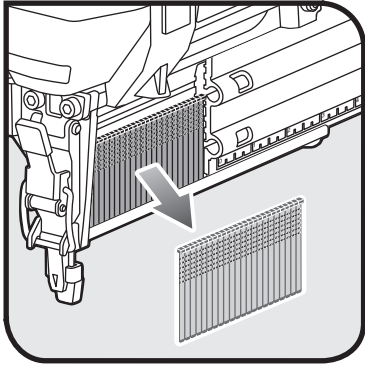
7

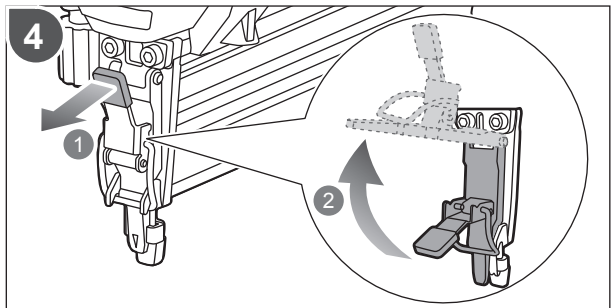
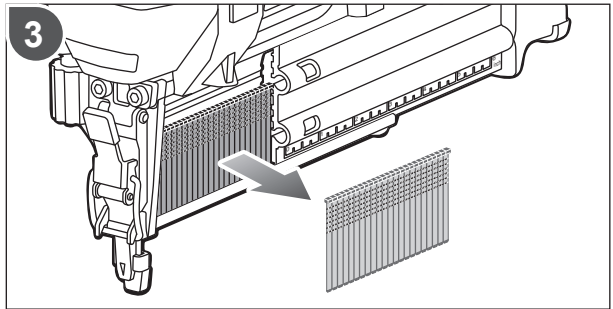
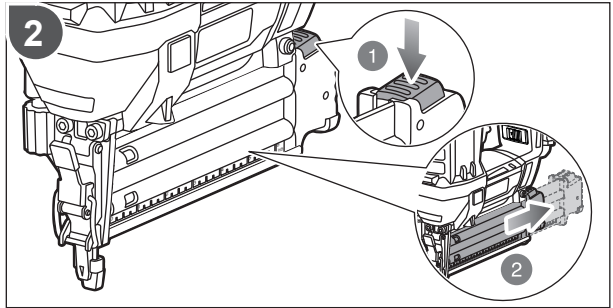
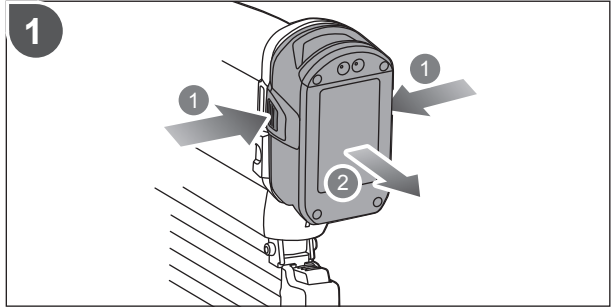
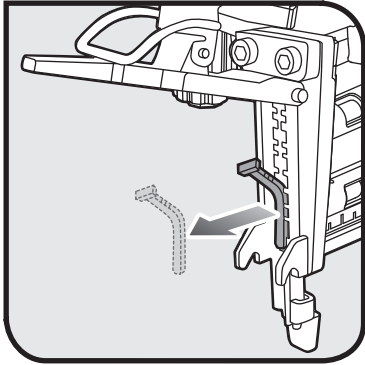


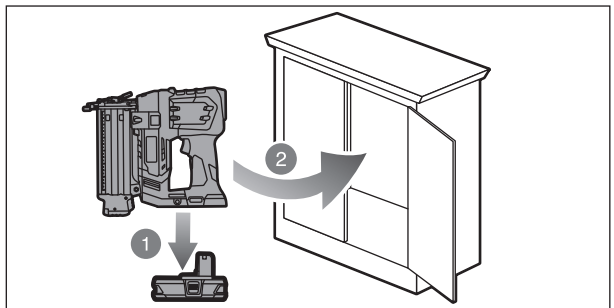
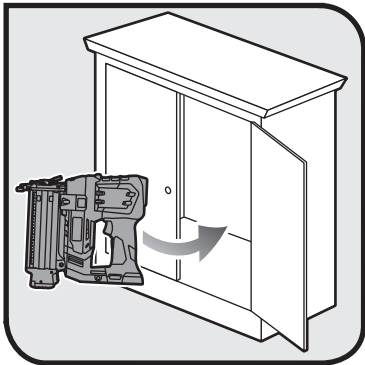
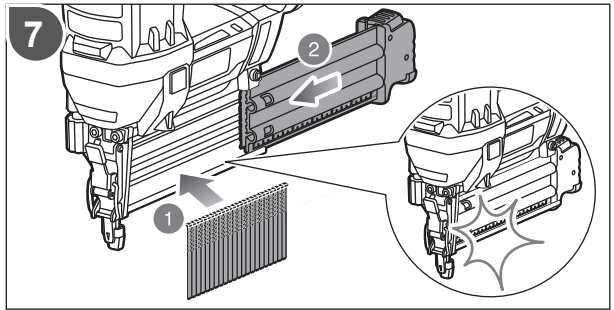
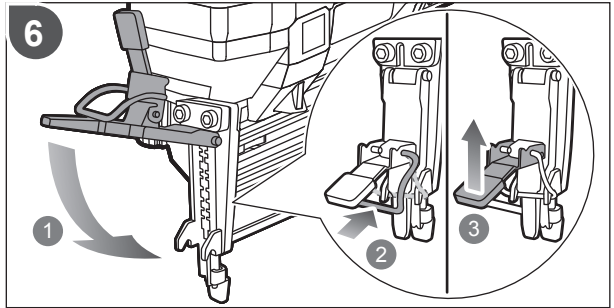
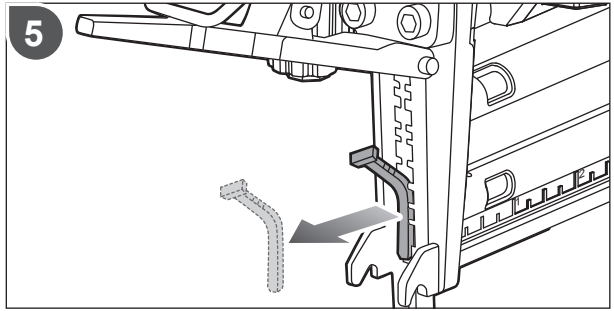












English	Français	Deutsch	Español	Italiano
Product specifications	Caractéristiques de l'appareil	Produkt-Spezifikationen	Especificaciones del producto	Specifiche prodotto
18V Nailer (18G)	Cloueuse 18V (18G)	18 V Nagler (18G)	Clavadora 18V (18G)	Chiodatrice 18V (18G)
Model	Numéro de modèle	Modell	Marca	Marca
Voltage	Tension	Spannung	Tensión	Voltaggio
Magazine capacity (number of nails)	Capacité du magasin (nombre d'agrafes)	Magazingröße (Anzahl der Nägel)	Capacidad del cargador (número de clavos)	Capacità pistola (numero di chiodi)
Fastener type: Brad	Type d'agrafes : Tête homme	Nageltyp: Nagelstift	Tipo de fijador: Clavo sin cabeza	Tipo di chiodi: Chiodo con testa a scomparsa
Length	Longueur	Länge	Longitud	Lunghezza
Diameter	Diamètre	Durchmesser	Diámetro	Diametro
Weight - excluding battery pack	Poids - sauf pack batterie	Gewicht - ohne Akkupack	Peso - Excluyendo conjunto de batería	Peso - Senza gruppo batteria
Weight - according to EPTA Procedure 01/2003	Poids - Selon la procédure EPTA 01/2003	Gewicht - Gemäß EPTA-Verfahren 01/2003	Peso - Según el procedimiento EPTA 01/2003	Peso - Secondo quanto indicato dalla EPTA-Procedure 01/2003
Measured sound values determined according to EN 60745:	Valeurs du son mesuré déterminées selon EN 60745:	Gemäß EN 60745: gemessene Schallwerte	Valores medidos del sonido en función de la norma EN 60745:	Valori del suono misurati determinati secondo lo standard EN 60745:
A-weighted sound pressure level	Niveau de pression sonore pondéré-A	A-bewerteter Schalldruckpegel	Nivel de presión acústica ponderada en A	Livello di pressione sonora pesato A
Uncertainty K	Incertitude K	Unsicherheit K	Incertidumbre K	Incertezza K
A-weighted sound power level	Niveau de puissance sonore pondéré-A	A-bewerteter Schalleistungspegel	Nivel de potencia acústica ponderada en A	Livello di potenza sonora pesato A
Uncertainty K	Incertitude K	Unsicherheit K	Incertidumbre K	Incertezza K
Wear ear protectors	Portez une protection acoustique.	Tragen Sie Gehörschutz.	Utilice protección auditiva!	Indossare protezioni acustiche adeguate.
The vibration total values (triaxial vector sum) determined according to EN 60745:	La valeur totale des vibrations (somme vectorielle triaxiale) déterminée selon EN60745:	Die Vibrationsgesamtwerte (dreiaxiale Vektorsumme) ermittelt nach EN60745:	Los valores de vibración total (suma vectorial triaxial), determinado según la norma EN60745:	I valori totali delle vibrazioni (somma vettore triassiale) sono misurati conformemente alla norma EN60745:
Vibration emission value	Valeur d'émission de vibrations	Vibrationsemissionswert	Valor de emisión de vibraciones	Valore delle emissioni vibrazioni
Uncertainty K	Incertitude K	Unsicherheit K	Incertidumbre K	Incertezza K

Battery and charger	Batterie et chargeur	Akku und Ladegerät	Bateria y cargador	Batteria e caricatore
Compatible battery pack (not included)	Pack batterie compatible (non compris)	Kompatible Akkus (nicht im Lieferumfang enthalten)	Packs de Bateria compatibles (no incluido)	Gruppo batterie compatibile (non incluso)
Lithium-Ion	Lithium-Ion	Lithium-Ionen	Ión-litio	Ioni di litio
Compatible charger (not included)	Chargeur compatible (non compris)	Kompatible Ladegerät (nicht im Lieferumfang enthalten)	Cargador compatible (no incluido)	Caricatore compatibile (non incluso)

Nederlands	Português	Dansk	Svenska	
Productspecificaties	Especificações do produto	Produktspecifikationer	Produktspecifikationer	
18 V nagelmachine (18G)	Ferramenta para pregos 18V (18G)	18 V sømpistol (18G)	18 V Spikpistol (18G)	
Merk	Marca	Brand	Modellnummer	R18N18G
Spanning	Voltagem	Spænding	Spänning	18 V
Magazincapaciteit (aantal nagels)	Capacidade do carregador (número de pregos)	Magasinkapacitet (antal søm)	Magasinetts kapacitet (antal spikar)	105
Nageltype: Nagel met verloren kop	Tipo de fiador: Prego em cabeça	Søm-/klammertype: Dykker	Fästestyp: Spik	
Lengte	Comprimento	Længde	Längd	15 - 50 mm (5/8 - 2")
Diameter	Diâmetro	Diameter	Diameter	1,2 mm
Gewicht - exclusief accupack	Peso - excluindo conjunto de bateria	Vægt - Batteri medfølger ikke	Vikt - Batteri medfølger ej	2,40 kg
Gewicht - Overeenkomstig de EPTA-procedure 01/2003	Peso - De acordo com o Procedimento EPTA 01/2003	Vægt - I henhold til EPTA-procedure 01/2003	Vikt - Enligt EPTA 01/2003	2,85 kg
Gemeten geluidswaarden bepaald in overeenstemming met EN 60745:	Valores medidos do som em função da norma EN 60745:	Målte lydverdier bestemt iht. EN 60745:	Uppmätta ljudvärden enligt EN 60745:	
A-gewogen geluidsdrukniveau	Nível de pressão sonora ponderada A	A-vægtet lydtryksniveau	A-vägd ljudtryksnivå	$L_{pA} = 83$ dB(A)
Onzekerheid K	Incerteza K	Usikkerhed K	Osäkerhet K	3 dB
A-gewogen geluidsniveau	Nível de potência sonora ponderada A	A-vægtet lydeffektniveau	A-vägd ljudeffektsnivå	$L_{WA} = 94$ dB(A)
Onzekerheid K	Incerteza K	Usikkerhed K	Osäkerhet K	3 dB
Draag oorbeschermers.	Sempre use a proteção dos ouvidos.	Bær høreværn.	Bär hörselskydd.	
De totale trillingswaarden (triaxiale vectorsom) vastgesteld in overeenstemming met EN60745:	Os valores totais de vibração (Soma vectorial triaxial) foram determinados de acordo com a norma EN 60745:	Totale vibrationsværdier (triaksial vektorsum) afgøres ifølge EN60745:	Det totala vibrationsvärdet (triaxial vektorsumma) är framtaget enligt EN60745:	
Trillingsemisiewaarde	Valor de emissão de vibrações	Vibrationsemissionsværdi	Vibrationsvärde	$a_n = 1,5$ m/s ²
Onzekerheid K	Incerteza K	Usikkerhed K	Osäkerhet K	1,5 m/s ²

Accu en lader	Bateria e carregador	Batteri og oplader	Batteri och laddare	
Compatibel accupack (niet inbegrepen)	Baterias compatíveis (não incluída)	Kompatibelt batteri (medfølger ikke)	Kompatibelt batteripack (inte inkluderat)	
Lithium-ion	lão-Lítio	Lithium-ion	Litiumjon	RB18L13 RB18L15 RB18L20 RB18L25 RB18L40 RB18L50
Compatibele oplader (niet inbegrepen)	Carregador compatível (não incluída)	Kompatibel oplader (medfølger ikke)	Passande laddare (inte inkluderat)	BCS618 BCL14181H BCL14183H RC18150 RC18627 RC18115 RC18120 RC18118C

Suomi	Norsk	Русский	Polski	Čeština
Tuotteen tekniset tiedot	Produktesifikasjoner	Характеристики изделия	Parametry techniczne	Technické údaje produktu
18V naulain (18G)	18V spikerpistol (18G)	18В Степлер (18G)	Pistolet do gwoździ 18 V (18G)	18 V sponkovačka (18G)
Mallinumero	Merke	Марка	Numer modelu	Značka
Jännite	Spenning	Напряжение	Napięcie	Elektrické napětí
Lippaan tilavuus (naulojen määrä)	Magasinkapasitet (antall stifter)	Вместимость магазина (количество скоб)	Pojemność magazynku (Liczba gwoździ)	Kapacita zásobníku (Počet hřebíků)
Kiinniketyyppi: Lankanaula	Type stifter: Bredder	Тип скобы: Штифт	Tym mocowania: Druciak	Typ upínadla: Hřebík
Pituus	Lengde	Длина	Długość	Délka
Halkaisija	Diameter	Диаметр	Średnica	Průměr
Paino - ilman akkua	Vekt - uten batteripakke	Вес - без аккумуляторной батареи	Waga - bez akumulatora	Hmotnost - bez baterie
Paino - EPTA-menetelmän 01/2003 mukaan	Vekt - I henhold til EPTA-prosedyre 01/2003	Вес - Соответствует требованиям EPTA-Procedure 01/2003	Waga - Zgodnie z procedurą EPTA 01/2003	Hmotnost - Dle protokolu EPTA 01/2003
Mitatut arvot määritetty EN 60745: standardin mukaan:	Målte lydverdier bestemt iht. EN 60745:	Измеренные значения параметров звука определены в соответствии с EN 60745:	Zmierzone wartości akustyczne zgodnie z normą EN 60745:	Naměřené hodnoty hluku zjištěné dle EN 60745:
A-painotettu äänenpainetaso	A-vektet lydtrykknivå	Уровень А-взвешенного звукового давления	A-važony poziom ciśnienia hałasu	Hladina akustického tlaku vážená funkcí A
Epätarkkuus K	Usikkerhet K	Разброс K	Niepewność pomiaru K	Nejistota K
A-painotettu äänenteho	A-vektet lydeffektnivå	Уровень А-взвешенной звуковой мощности	A-važony poziom natężenia hałasu	Hladina akustického výkonu vážená funkcí A
epätarkkuus K	Usikkerhet K	Разброс K	Niepewność pomiaru K	Nejistota K
Käytä korvasuojia.	Bruk hørselsvern.	Используйте наушники!	Stosować środki ochrony słuchu!	Používejte chrániče sluchu.
Tärinän kokonaisarvot (kolmiakselinen vektorisumma) määritettyä standardin EN60745 mukaisesti:	De totale vibrasjonsverdiene (treakset vektorsum) er fastsatt i henhold til EN60745:	суммарное значение вибрации (сумма векторов по трем координатным осям) определено в соответствии со стандартом EN60745:	Wartości sumaryczne drgań (suma wektora trójosiowego) określone zgodnie z normą EN60745:	Celkové hodnoty vibrací (Trojosý vektorový součet) určené v souladu s EN60745:
Tärinäarvo	Verdier for vibrasjonsutslipp	Значение вибрации	Poziom drgań	Úroveň emisí vibrací
epätarkkuus K	Usikkerhet K	Разброс K	Niepewność pomiaru K	Nejistota K

Akkua ja laturi	Batteri og lader	Батарея и зарядное устройство	Akumulator i ładowarka	Baterie a nabíječka
Yhteensopiva akku (ei mukana)	Kompatible batteripakker (ikke inkludert)	Совместимая аккумуляторная батарея (не входит в комплект поставки)	Pasujące akumulatory (nie dołączona)	Kompatibilní akumulátor (nepřibalen)
Litiumioni	Litium-ion	Литий-ионная аккумуляторная батарея	Li-Ion	Lithium iontový akumulátor
Yhteensopiva laturi (ei mukana)	Kompatibel lader (ikke inkludert)	Совместимое зарядное устройство (не входит в комплект поставки)	Odpowiednia ładowarka (nie dołączona)	Kompatibilní nabíječka (nepřibalen)

Magyar	Română	Latviski	Lietuviškai	
Termék műszaki adatai	Specificațiile produsului	Produkta specifikācijas	Gaminio techninės savybės	
18 V Szőgbelövő (18G)	Ciocan pneumatic de bătut cuiu 18V (18G)	18V naglu pistole (18G)	18V vinių kaltuvas (18G)	
Márka	Număr serie	Modeļa numurs	Prekės ženklas	R18N18G
Feszültség	Tensiune	Spriegums	Įtampa	18 V
Tárkapacitás (szögek száma)	Capacitate încarcător (număr de cuiu)	Aptveres jauda (naglu skaits)	Magazino talpa (vinių skaičius)	105
Kötőelem típusa: Fejnélküli	Tip capse: Cui fără cap	Stiprinātāja veids: Tapa	Tvirtinamojo elemento tipas: Vinių su maža galvute	
Hosszúság	Lungime	Garums	Ilgis	15 - 50 mm (5/8 - 2")
Átmérő	Diametru	Diametrs	Skersmuo	1,2 mm
Tömeg - akkumulátor nélkül	Greutate - exclusiv acumulatorul	Svars - izņemot akumulatora iepakojumu	Svoris - neįskaitant baterijos paketo	2,40 kg
Tömeg - A 01/2003 EPTA-eljárás szerint	Greutate - În conformitate cu Procedura EPTA din 01/2003	Svars - Saskaņā ar EPTA procedūru 01/2003	Svoris - Pagal Europos elektrinių įrankių asociacijos (EPTA) nustatytą tvarką 01/2003	2,85 kg
A hang értékek meghatározása az EN 60745: szerint történt:	Valori de sunet măsurate determinate în conformitate cu EN 60745:	Izmērītās skaņas vērtības ir noteiktas saskaņā ar EN 60745:	Išmatuotos garso vertės nustatytos pagal EN 60745:	
A-súlyozott hangnyomásszint	Nivel de presiune acustică ponderată A	A-īmeņa skaņas spiediena līmenis	A svertinis garso slėgio lygis	$L_{pa} = 83$ dB(A)
Bizonytalanság K	Incertitudine K	kļūdas vērtība K	Nepastovumas K	3 dB
A-súlyozott hangteljesítményszint	Nivel de putere acustică ponderată A	A-īmeņa skaņas jaudas līmenis	A svertinis garso galios lygis	$L_{wa} = 94$ dB(A)
Bizonytalanság K	Incertitudine K	kļūdas vērtība K	Nepastovumas K	3 dB
Viseljen hallásvédőt.	Purtatji aparatoare de urechi.	Lietojiet dzirdes aizsargus.	Naudokite ausų apsaugos priemonės.	
Vibráció teljes értékei (háromtengelyű vektorösszeg), az EN 60745: szerint meghatározva:	Valorile totale ale vibrațiilor (sumă vector triaxială) au fost determinate conform EN60745:	Vibrāciju kopējās vērtības (triaksiālā vektoru summa) tiek noteiktas atbilstoši EN60745:	Bendros vibracijos vertės (triaišo vektoriaus suma) nustatomos pagal EN60745:	
Vibráció-kibocsátás értéke	Valoarea emisiilor de vibrații	Vibrāciju emisijas vērtība	Vibracijos emisijos vertė	$a_h = 1,5$ m/s ²
Bizonytalanság K	Incertitudine K	kļūdas vērtība K	Nepastovumas K	1,5 m/s ²

Akkumulátor és töltő	Baterie și încarcător	Akumulators un lādētājs	Baterija ir įkroviklis	
Kompatibilis akkumulátor (nem tartozék)	Acumulatori compatibili (neinclus)	Saderīgu akumulatoru komplekts (nav kompl.)	Suderinamas baterijos paketas (nepriedama)	
Litiumion	Litiu-ion	Litija-jonu	Litis-jonas	RB18L13 RB18L15 RB18L20 RB18L25 RB18L40 RB18L50
Kompatibilis töltő (nem tartozék)	Încărcător compatibil (neinclus)	Saderīgs lādētājs (nav kompl.)	Tinkamas įkroviklis (nepriedama)	BCS618 BCL14181H BCL14183H RC18150 RC18627 RC18115 RC18120 RC18118C

Eesti	Hrvatski	Slovensko	Slovenčina
Toote tehnilised andmed	Spetsifikacije proizvoda	Spetsifikacije izdelka	Špeticifikácie produktu
Naeluti 18V (18G)	Udarač čavala od 18V (18G)	18 V žebjalnik (18G)	18 V sponkovačka (18G)
Mark	Marka	Znamka	Značka
Pinge	Napon	Napetost	Napätie
Magasini mahtuvus (naelte arv)	Kapacitet spremnika (broj čavala)	Kapaciteta kartuše (število žebjev)	Kapacita zásobníka (počet klinec)
Kinniti tüüp: Liistunael	Vrsta pričvršćivača: Čavli	Vrsta pritrđila: Tapetniški žebelj	Typ upínadla: Drótený klinček
Pikkus	Duljina	Dolžina	Dĺžka
Läbimõõt	Promjer	Premer	Premer
Mass - välja arvatud akupakett	Težina - baterija nije uključena	Teža - razen baterij	Hmotnosť - okrem jednotky akumulátora
Mass - Vastavalt EPTA-protseduurile 01/2003	Težina - Prema EPTA-postupku 01/2003	Teža - Skladno s postopkom EPTA 01/2003	Hmotnosť - Podľa EPTA-Procedure 01/2003
Mõõteväärtused on kindlaks määratud vastavalt standardile EN 60745:	Mjerena vrijednost zvuka određena je prema EN 60745:	Izmerjene zvočne vrednosti določene v skladu s standardom EN 60745:	Namerané hodnoty určené podľa EN 60745:
A-kaalutud helirõhu tase	Ponderirana razina tlaka zvuka	A-izmerjena raven zvočnega tlaka	Vážená A hladina akustického tlaku
mõõtemääramatus K	neodređenost K	nedoloč. K	odchýlka K
A-kaalutud helivõimsuse tase	Ponderirana razina zvučne snage	A-izmerjena raven zvočne moči	Vážená A hladina akustického výkonu
mõõtemääramatus K	neodređenost K	nedoloč. K	odchýlka K
Kasutage kuulmiskaitsevahendeid.	Nosite štítnike za uši.	Nosite štítnike za ušesa.	Používajte chrániče sluchu.
Vibratsiooni koguväärtused (kolme suuna vektorsumma) on vastavalt standardile EN 60745 määratud järgmiselt:	Ponderirana energetska vrijednost Ukupne vrijednosti vibracija (troosovinski vektorski zbroj) određuju se u skladu s EN60745.	Skupna vrednost vibracij (triaksialna vektorska vsota) določena v skladu z EN60745:	Celkové hodnoty vibrácií (priestorový vektorový súčet) určuje norma EN60745:
Vibratsiooniemisiooni väärtus	Vrijednost emisija vibracije	Vrednost emisij vibracij	Hodnota emisií vibrácií
Mõõtemääramatus K	Neodređenost K	Nedoloč. K	Odhýlka K

Aku ja laadija	Baterija i punjač	Baterija in polnilnik	Akumulátor a nabijačka
Ühilduvad akupaketid (ei ole kompleksis)	Kompatibilno pakiranje baterija (nije uključeno)	Zdrúživje baterije (ni priložen)	Kompatibilná jednotka akumulátorov (nie je súčasťou balenia)
Litiumioon	Litij-ion	Litij-ionska	Lítium-iónová
Kasutatav laadija (ei ole kompleksis)	Kompatibilni punjač (nije uključeno)	Zdrúživjiv polnilce (ni priložen)	Kompatibilná nabijačka (nie je súčasťou balenia)



България	українська мова	Türkçe	Ελληνικά	
Технически характеристики	Технічні характеристики продукту	Ürün Özellikleri	Προδιαγραφές Προϊόντος	
Пистолет за пирони 18 V (18 G)	Цвяхозабивач, 18В	18V Çivi Tabancası (18G)	Καρφωτικό 18V (18G)	
Модел	Модель	Marka	Μάρκα	R18N18G
Напрежение	Напруга	Genilim	Τάση	18 V
Капацитет на пълнителя (брой пирони)	Смънсть магазина (кількість цвяхів)	Kartuş kapasitesi (çivi sayısı)	Χωρητικότητα γεμιστήρα (Αριθμός καρφιών)	105
Тип на пълнителя: Пирони без глава	Тип кріплення: цвях без головки	Sabitleyici tipi: Başsız	Τύπος συνδετήρα: Καρφί με αφανή κεφαλή	
Дължина	довжина	Uzunluk	Μήκος	15 - 50 mm (5/8 - 2")
Диаметър	Диаметр	Çap	Διάμετρος	1,2 mm
Тегло (без батерията)	Βαга (без акумулатора)	Ağırlık - Harici batarya takımı	Βάρος - χωρίς μπαταρία	2,40 kg
Тегло (Съгласно процедура 01/2003 на ЕРТА)	Βαга (відповідно до процедури ЕРТА 01/2003)	Ağırlık - EPTA-Prosedürü 01/2003'e göre	Βάρος - Σύμφωνα με την Διαδικασία ΕРТА 01/2003	2,85 kg
Измерените стойности на звука са определени в съответствие с EN 60745:	Вимірні значення шуму визначаються відповідно до EN 60745:	EN 60745: e göre hesaplanmış ses değerleri:	Μετρημένες τιμές ήχου σύμφωνα με το EN 60745:	
Ниво на шумово налягане с равнище А	А-зважений рівень звукового тиску	A ağırlıklı ses basınç seviyesi	Α-σταθμισμένο επίπεδο πίεσης ήχου	$L_{pA} = 83 \text{ dB(A)}$
Променивост (К)	Невизначеність К	Belirsizlik K	Αβεβαιότητα Κ	3 dB
Ниво на силата на шума с равнище А	А-зважений рівень звукової потужності	A ağırlıklı ses gücü seviyesi	Α-σταθμισμένο επίπεδο έντασης ήχου	$L_{WA} = 94 \text{ dB(A)}$
Променивост (К)	Невизначеність К	Belirsizlik K	Αβεβαιότητα Κ	3 dB
Носете антифони.	Диаметр ріжучої лінії	Kulak koruyucu kullanın.	Φοράτε ωτοασπίδες.	
Общата стойност на вибрациите (триосна векторна сума) е определена в съответствие с EN 60745:	Загальне значення вібрації (триаксіальна векторна сума) визначається відповідно до EN 60745:	EN 60745 normuna uygun olarak belirlenmiş titreşim toplam değerleri (üçeksenli vektör toplamı):	Συνολικές αξίες κραδασμών (τρίαξονικό διανυσματικό άθροισμα) σύμφωνα με EN60745:	
Стойност на вибрационните емисии	Значення вібраційної емисії	Titreşim emisyon değeri	Τιμή εκπομπών κραδασμών	$a_n = 1,5 \text{ m/s}^2$
Променивост (К)	Невизначеність К	Belirsizlik K	Αβεβαιότητα Κ	1,5 m/s ²

Батерия и зарядно устройство	Акумулатор і зарядний пристрій	Batarya ve şarj aleti	Μπαταρία και φορτιστής	
Съвместима акумулаторна батерия (не е включена в комплекта)	Сумісний акумулатор (не входить в комплект)	Uyumlu pil takımı (dahil değildir)	Συμβατή μπαταρία (δεν περιλαμβάνεται)	
Литиево-йонна	Літій-іонний	Lityum-lyon	Λιθίου-Ιόντων	RB18L13 RB18L15 RB18L20 RB18L25 RB18L40 RB18L50
Съвместимо зарядно устройство (Не е включено)	Сумісний зарядний пристрій (не входить в комплект)	Uyumlu şarj cihazı (dahil değildir)	Συμβατός φορτιστής (δεν περιλαμβάνεται)	BCS618 BCL14181H BCL14183H RC18150 RC18627 RC18115 RC18120 RC18118C



**(EN) TROUBLESHOOTING**

PROBLEM	POSSIBLE CAUSE	SOLUTION
Work-contacting element does not depress fully - product does not operate.	Nails are low. Work-contacting element is jammed.	Replenish the nails. Remove the battery and clear the debris.
Product operates properly, but fasteners are not driven fully.	Air pressure is too low. Depth of drive is not deep enough. Nail is too long for wood hardness.	Increase the air pressure. Adjust the depth of drive. Use nails of the length that is appropriate for the wood.
Product operates properly, but fasteners are driven too deep.	Air pressure is too high. Depth of drive is too deep.	Decrease the air pressure. Adjust the depth of drive.
Product jams frequently.	Nails are incorrect. Nails are damaged. Magazine is loose. Magazine is dirty.	Verify that the size of nails is correct. Replace the nails. Tighten the screws. Clean the magazine.
Product stops and LED work lights flash rapidly.	Battery is low or has no charge. Product is hot.	Recharge the battery. Allow Product to cool.
Product has charged battery and LED work lights flash slowly.	Product has malfunctioned.	Take product to the nearest authorised repair centre.
Product operates properly, but fasteners are not driven fully.	Product is too cold (less than 5°C).	Warm the product up to the operating temperature, either by storing in the correct environment or by firing test shots into spare material.
Product does not operate.	Nail magazine is empty / very low.	Refill the magazine.
Product does not operate.	Nailing process has been interrupted (by releasing the trigger mid-way through the process).	Remove the battery and replace to reset the system.
Tool does not operate.	Trigger or work piece contact has been held for too long without activating the nail firing process.	Release the trigger then activate again.

(FR) GUIDE DE DÉPANNAGE

PROBLEM	CAUSE POSSIBLE	SOLUTION
L'élément de déclenchement par contact ne s'enfoncé pas totalement - l'outil ne fonctionne pas.	Le nombre de clous restant est faible. L'élément de déclenchement par contact est enrayé.	Remettez des clous dans le magasin. Retirez la batterie et nettoyez les débris.
L'outil fonctionne correctement, mais les agrafes ne s'enfoncent pas complètement.	La pression de l'air est insuffisante. La profondeur est insuffisante. Le clou est trop long pour la dureté du bois.	Augmentez la pression d'air. Régulez la profondeur de clouage. Utilisez des clous d'une longueur adaptée au bois.
L'outil fonctionne correctement, mais les agrafes s'enfoncent trop.	La pression de l'air est trop élevée. La profondeur est insuffisante.	Diminuez la pression d'air. Régulez la profondeur de clouage.
L'outil s'enraye fréquemment.	Les clous sont de type incorrect. Les clous sont endommagés. Le magasin est mal fixé. Le magasin est sale.	Vérifiez que la taille des clous est correcte. Remplacez les clous. Serrez les vis. Nettoyez le magasin.
L'outil s'arrête et la LED d'éclairage clignote rapidement.	La batterie est faible ou déchargée. L'outil est chaud.	Rechargez la batterie. Laissez l'outil refroidir.
La batterie de l'outil est chargée et la LED d'éclairage clignote lentement.	L'outil à mal fonctionné.	Apportez l'outil au service après-vente agréé le plus proche.
L'outil fonctionne correctement, mais les agrafes ne s'enfoncent pas complètement.	L'outil est trop froid (moins de 5°C).	Réchauffez l'outil pour qu'il atteigne la température de travail adéquate, soit en le plaçant dans un environnement à la température correcte, ou en effectuant des clouages dans une chute de matériau.
L'outil ne fonctionne pas.	Le magasin est vide / presque vide.	Remplissez le magasin.
L'outil ne fonctionne pas.	Le processus de clouage a été interrompu (par un relâchement de la gâchette en cours de travail).	Retirez la batterie puis remettez-la en place pour remettre le système à zéro.
L'outil ne fonctionne pas.	La pression sur la gâchette ou le contact avec la pièce à fixer ont été maintenus trop longtemps sans qu'un déclenchement de clouage n'ait eu lieu.	Relâchez la gâchette puis enfoncez-la à nouveau.



**(DE) FEHLERBEHEBUNG**

PROBLEM	MÖGLICHER GRUND	LÖSUNG
Werkstückkontakt lässt sich nicht vollständig drücken - Werkzeug funktioniert nicht.	Zu wenige Nägel im Magazin. Der Werkstückkontakt ist verklemt	Nägel auffüllen. Entfernen Sie den Akku und reinigen Sie den Schmutz.
Das Werkzeug funktioniert, aber Nägel werden nicht voll eingeschossen.	Luftdruck ist zu niedrig. Tiefe des Schlagstempels ist zu niedrig. Nägel zu lang für die Härte des Holzes.	Erhöhen Sie den Luftdruck. Stellen Sie die Tiefe des Schlagstempels ein. Benutzen Sie Nägel in für das Holz geeigneter Länge.
Das Werkzeug funktioniert, aber Nägel werden zu tief eingeschossen.	Luftdruck ist zu hoch.. Tiefe des Schlagstempels ist zu tief.	Verringern Sie den Luftdruck. Stellen Sie die Tiefe des Schlagstempels ein.
Werkzeug verklemt oft.	Nägel sind beschädigt. Nägel sind falsch. Magazin ist locker. Magazin ist verschmutzt.	Überprüfen sie, dass die Größe der Nägel richtig ist. Nägel ersetzen.. Ziehen Sie die Schrauben fest. Reinigen Sie das Magazin.
Werkzeug stoppt und das LED Arbeitslicht blinkt schnell.	Akkuladung ist niedrig oder Akku ist leer. Werkzeug ist heiß.	Laden Sie den Akku auf. Lassen Sie das Gerät abkühlen.
Der Akku des Werkzeugs ist voll aufgeladen und das LED Arbeitslicht blinkt langsam.	Werkzeug Funktionsstörung.	Bringen sie das Werkzeug zu Ihrem nächsten autorisierten Kundendienst.
Das Werkzeug funktioniert, aber Nägel werden nicht voll eingeschossen.	Werkzeug ist zu kalt (weniger als 5°C).	Erwärmen Sie das Werkzeug auf Betriebstemperatur, entweder indem Sie es in der richtigen Umgebung aufbewahren, oder indem Sie Testschüsse in Abfallmaterial abgeben.
Werkzeug funktioniert nicht.	Nagelmagazin ist leer / fast leer.	Füllen Sie das Magazin.
Werkzeug funktioniert nicht.	Nagelvorgang wurde unterbrochen (indem der Auslöser während des Vorgangs losgelassen wurde).	Entfernen Sie den Akku und setzen ihn wieder ein, um das System zurückzustellen.
Werkzeug funktioniert nicht.	Auslöser zu lange gedrückt oder Werkstück zu lange kontaktiert, ohne dass der Nagelvorgang gestartet wurde.	Lassen Sie den Auslöser los und drücken ihn wieder.

(ES) RESOLUCIÓN DE PROBLEMAS

PROBLEMA	POSIBLE CAUSA	SOLUCIÓN
El seguro palpador no descarga completamente el aire comprimido. La herramienta no funciona.	Los clavos están bajos. El seguro palpador está atascado.	Rellenar con clavos. Quitar la batería y limpiar la suciedad.
La herramienta funciona correctamente, pero los fijadores no se clavan completamente.	La presión de aire es demasiado baja. La herramienta no clava con la suficiente profundidad. El clavo es demasiado largo para la dureza de la madera.	Aumentar la presión de aire. Ajustar la profundidad del claveteado. Utilizar los clavos de la longitud adecuada para la madera.
La herramienta funciona correctamente, pero los fijadores se clavan con demasiada profundidad.	La presión de aire es demasiado alta. La herramienta clava con excesiva profundidad.	Disminuir la presión de aire. Ajustar la profundidad del claveteado.
La herramienta se atasca con frecuencia.	Los clavos no son los correctos. Los clavos están dañados. El cartucho está suelto. El cartucho está sucio.	Comprobar si el tamaño de los clavos es el correcto. Sustituir los clavos. Apretar los tornillos. Limpiar el cartucho.
La herramienta se para y el LED de funcionamiento parpadea con rapidez.	Tiene poca batería o está agotada. La herramienta está caliente.	Recargar la batería. Dejar que se enfríe.
La herramienta tiene la batería cargada y el LED de funcionamiento parpadea con lentitud.	La herramienta tiene un funcionamiento defectuoso.	Llevar la herramienta al centro de reparación autorizado más cercano.
La herramienta funciona correctamente, pero los fijadores no se clavan completamente.	La herramienta está demasiado fría (menos de 5 °C).	Calentar la herramienta hasta que esté a la temperatura de funcionamiento, ya sea guardándola en el entorno adecuado o lanzando algunos tiros de prueba en un material que no sirva.
La herramienta no funciona.	El cartucho de clavos está vacío/casi vacío.	Rellenar el cartucho.
La herramienta no funciona.	El proceso de claveteado ha sido interrumpido (soltando el gatillo a mitad del proceso).	Quitar la batería y sustituirla para reiniciar el sistema.
La herramienta no funciona.	El gatillo o el seguro palpador se ha sujetado durante demasiado tiempo sin activar el proceso de claveteado.	Soltar el gatillo y, a continuación, activarlo de nuevo.



**(IT) RISOLUZIONE DEI PROBLEMI**

PROBLEMA	PROBABILE CAUSA	SOLUZIONE
L'elemento di contatto non si preme correttamente - l'utensile non funziona.	I chiodi sono bassi L'elemento di contatto è bloccato.	Ricaricare la pistola con i chiodi. Rimuovere la batteria e i detriti.
L'utensile funziona correttamente, ma i chiodi non vengono spinti con tutta la potenza necessaria.	La pressione dell'aria è troppo bassa. La profondità di trazione non è abbastanza profonda. Il chiodo è troppo lungo per la durezza del legno.	Aumentare la pressione dell'aria. Regolare la profondità di trazione. Utilizzare chiodi della lunghezza adatta per il legno.
L'utensile funziona correttamente, ma i chiodi vengono spinti a una profondità eccessiva.	La pressione dell'aria è troppo alta. La profondità di trazione è troppo profonda.	Diminuire la pressione dell'aria. Regolare la profondità di trazione.
L'utensile si blocca frequentemente.	Chiodi errati Chiodi danneggiati. Caricatore allentato. Caricatore sporco.	Verificare che le dimensioni dei chiodi siano corrette. Sostituire i chiodi. Serrare le viti. Pulire il caricatore.
L'utensile si blocca e la spia luminosa al LED lampeggia rapidamente.	Batteria con carica troppo bassa o senza carica. Utensile caldo	Ricaricare la batteria. Lasciare raffreddare l'utensile.
L'utensile ha la batteria carica ma la luce luminosa al LED lampeggia lentamente.	Utensile non funzionante.	Portare l'utensile presso il più vicino centro riparazioni autorizzato.
L'utensile funziona correttamente, ma i chiodi non vengono spinti con tutta la potenza necessaria.	Utensile troppo freddo (temperatura inferiore ai 5 °C).	Attendere che l'utensile si sia riscaldato a temperatura di funzionamento, riponendolo in un ambiente corretto o provando a sparare chiodi in materiale di scarto.
L'utensile non funziona.	Caricatore chiodi vuoto / quasi scarico.	Riempire il caricatore.
L'utensile non funziona.	Processo di inserimento chiodi interrotto (rilasciando a metà il grilletto durante il processo).	Rimuovere la batteria e sostituirla per resettare il sistema.
L'utensile non funziona.	Il grilletto o il pezzo di lavoro è stato mantenuto troppo a lungo senza attivare il processo di inserimento chiodi.	Rilasciare il grilletto e quindi riattivarlo.

(NL) PROBLEEM OPLOSSEN

PROBLEEM	MOGELIJKE OORZAAK	OPLOSSING
Werkcontactpunt drukt niet volledig in - apparaat werkt niet.	Er zijn bijna geen nagels. Werkcontactpunt is geblokkeerd.	Vul de nagels aan. Verwijder de accu en het afval.
Apparaat werkt goed, maar nagels worden niet diep genoeg afgevuurd.	Luchtdruk is te laag. Afvuurdiepte is niet diep genoeg. Nagel is te lang voor hardheid van het hout.	Verhoog de luchtdruk. Pas de afvuurdiepte aan. Gebruik nagels met een lengte die geschikt is voor het hout.
Apparaat werkt goed, maar nagels worden te diep afgevuurd.	Luchtdruk is te hoog. Afvuurdiepte is te diep.	Verlaag de luchtdruk. Pas de afvuurdiepte aan.
Apparaat blokkeert vaak.	Verkeerde nagels. Beschadigde nagels. Patroon zit los. Patroon is vies.	Controleer of de nagelmaat goed is. Vervang de nagels. Draai de schroeven vast. Reinig het patroon.
Apparaat stopt en LED-lampjes knipperen snel.	Accu is bijna leeg of heeft geen lading. Apparaat is heet.	Laad de accu op. Laat het apparaat afkoelen.
Apparaat heeft een opgeladen accu en LED-lampjes knipperen langzaam.	Apparaat is defect.	Breng het apparaat naar het dichtstbijzijnde bevoegde onderhoudscentrum.
Apparaat werkt goed, maar nagels worden niet diep genoeg afgevuurd.	Apparaat is te koud (minder dan 5 °C).	Warm het apparaat op tot de gebruikstemperatuur door het op te slaan in de juiste omgeving of door testnagels af te vuren in ongebruikt materiaal.
Apparaat werkt niet.	Nagelpatroon is leeg/bijna leeg.	Vul het patroon bij.
Apparaat werkt niet.	Nagelproces is onderbroken (door de trigger halfweg het proces los te laten).	Verwijder de accu en plaats deze terug om het systeem te resetten.
Apparaat werkt niet.	Trigger of werkcontactpunt is te lang vastgehouden zonder dat er een nagel werd afgevuurd.	Laat de trigger los en activeer deze daarna weer.



**(PT) RESOLUÇÃO DE PROBLEMAS**

PROBLEMA	POSSÍVEL CAUSA	SOLUÇÃO
O elemento de contacto não descarrega completamente o ar comprimido. A ferramenta não funciona.	Os pregos estão baixos. Elemento de contacto está bloqueado.	Encher com pregos. Tirar a bateria e limpar a sujidade.
A ferramenta funciona correctamente, mas os fixadores não encaixam completamente.	A pressão de ar é demasiado baixa. A profundidade da drive não é suficiente. O prego é demasiado longo para a dureza da madeira.	Aumentar a pressão de ar. Ajustar a profundidade do pregar. Utilizar os pregos do comprimento adequada para a madeira.
A ferramenta funciona correctamente, mas os fixadores encaixam-se com demasiada profundidade.	A pressão de ar é demasiado alta. A profundidade da drive é muito significativa.	Diminuir a pressão de ar. Ajustar a profundidade do pregar.
A ferramenta bloqueia com frequência.	Os pregos não são os corretos. Os pregos estão danificados. O depósito está solto. O depósito está sujo.	Comprovar se o tamanho dos pregos é o correto. Substituir os pregos. Apertar os parafusos. Limpar o depósito.
A ferramenta para e o LED de funcionamento pisca rapidamente.	Tem pouca bateria ou está esgotada. A ferramenta está quente.	Recarregar a bateria. Deixar que arrefeça.
A ferramenta tem a bateria carregada e o LED de funcionamento pisca lentamente.	A ferramenta tem um funcionamento defeituoso.	Levar a ferramenta ao centro de reparação autorizado mais próximo.
A ferramenta funciona correctamente, mas os fixadores não encaixam completamente.	A ferramenta está demasiado fria (menos de 5 °C).	Aquecer a ferramenta até estar na temperatura de funcionamento, quer guardando-a no meio adequado ou lançando alguns tiros de teste num material que não sirva.
A ferramenta não funciona.	O depósito de pregos está vazio/quase vazio.	Encher o depósito.
A ferramenta não funciona.	O processo de pregar foi interrompido (soltando o gatilho a metade do processo).	Tirar a bateria e substituí-la para reiniciar o sistema.
A ferramenta não funciona.	O gatilho ou a peça de contacto esteve durante demasiado tempo sem ativar o processo de pregar.	Soltar o gatilho e, a seguir, ativa-lo novamente.

(DA) FEJLFINDING

PROBLEM	MULIG ÅRSAL	LØSNING
Emnekontakt-element presses ikke helt ind - værktøj fungerer ikke.	Kun få søm i magasin. Emnekontakt-element har sat sig fast.	Påfyld søm. Fjern batteriet, og fjern affaldspartikler.
Værktøj fungerer korrekt, men søm/klammer skydes ikke helt ind.	Luftryk er for lavt. Indskydningsdybde er ikke dyb nok. Søm er for langt i forhold til træets hårdhed.	Sæt luftrykket op. Justér indskydningsdybden. Brug søm med en længde, der passer til træet.
Værktøj fungerer korrekt, men søm/klammer skydes for langt ind.	Luftryk er for højt. Indskydningsdybde er for stor.	Sæt luftrykket ned. Justér indskydningsdybden.
Værktøj sætter sig ofte fast.	Forkerte søm. Søm er beskadiget. Magasin sidder løst. Magasin er beskidt.	Kontrollér, at sømstørrelsen er korrekt. Udskift sømmene. Spænd skruerne til. Rens magasinet.
Værktøj stopper, og LED-arbejdslys blinker hurtigt.	Batteri er næsten afladet. Værktøj er varmt.	Genoplad batteriet. Lad værktøjet køle af.
Værktøjets batteri er opladet, og LED-arbejdslyset blinker langsomt.	Værktøj har driftsforstyrrelse.	Indlevér værktøjet på nærmeste autoriserede værksted.
Værktøj fungerer korrekt, men søm/klammer skydes ikke helt ind.	Værktøj er for koldt (under 5°C).	Varm værktøjet op til driftstemperatur, enten ved at opbevare det i det korrekte miljø eller ved at affyre testskud i affaldsmateriale.
Værktøjet fungerer ikke.	Sømmagasin er tomt / næsten tomt.	Fyld magasinet op.
Værktøjet fungerer ikke.	Sømproces er blevet afbrudt (ved at udløseren blev sluppet halvvejs under processen).	Fjern batteriet, og isæt det igen for at resette systemet.
Værktøjet fungerer ikke.	Udløser eller emnekontakt har været holdt inde for længe uden at aktivere sømaffyringsprocessen.	Slip udløseren, og aktivér den igen.



**(SV) FELSÖKNING**

PROBLEM	MÖJLIG ORSAK	LÖSNING
Funktionselement går inte att trycka in ordentligt – verktyget fungerar inte.	Ont om spik. Funktionselement har satt sig.	Byt ut spikarna. Ta ur batteriet och rensa bort skräp.
Verktyget fungerar, men fästena går inte in helt.	Luftrycket för lågt. Driver inte djupt nog. Spik för långa för träets hårdhet.	Öka luftrycket. Justera drivdjupet. Använd spik i passande längd för träet.
Verktyget fungerar, men fästena går för djupt.	Luftrycket för högt. Driver alltför djupt.	Minska luftrycket. Justera drivdjupet.
Verktyget traslar ofta.	Fel på spik. Skadade spik. Magasinet löst. Magasinet smutsigt.	Kontrollera att det är rätt storlek på spik. Byt ut spiken. Dra åt skruvarna. Rengör magasinet.
Verktyget stannar och LED-lampan blinkar snabbt.	Svagt eller urladdat batteri. Verktyget är hett.	Ladda upp batteriet. Låt verktyget svalna.
Verktygets batteri är laddat och LED-lampan blinkar långsamt.	Verktyget fungerar inte.	Lämna verktyget på närmaste auktoriserade reparationscenter.
Verktyget fungerar, men fästena går inte in helt.	Verktyget för kallt (under 5°C).	Värm upp verktyget till arbetstemperatur, antingen genom förvaring i rätt miljö eller genom att provskjuta spik i överflödigt material.
Verktyget fungerar inte.	Spikmagasin tomt/nästan tomt.	Fyll på magasinet.
Verktyget fungerar inte.	Spikprocessen avbruten (avtryckaren har släppts halvvägs genom processen).	Ta ur batteriet och ersätt för att återställa systemet.
Verktyget fungerar inte.	Avtryckare eller arbetsstycke har haft kontakt länge utan att skjuta spik.	Släpp avtryckaren och aktivera på nytt.

(FI) VIANKORJAUS

ONGELMA	MAHDOLLINEN SYY	RATKAISU
Työkappaletta koskettava elementti ei painu täysin alas – laite ei toimi	Naulat ovat lyhyet. Työkappaletta koskettava elementti on jumissa.	Lisää nauloja. Irrota akku ja puhdista liika.
Laite toimii asianmukaisesti mutta kiinnikkeet eivät uppoa pohjaan.	Ilmanpaine on liian matala. Isku ei mene riittävän syvälle. Naula on liian pitkä puun kovuuden huomioiden.	Lisää ilmanpainetta. Säädä iskunsyvyyttä. Käytä puulle sopivan pituisia nauloja.
Laite toimii asianmukaisesti mutta kiinnikkeet uppoavat liian syvälle.	Ilmanpaine on liian korkea. Isku menee liian syvälle.	Vähennä ilmanpainetta. Säädä iskunsyvyyttä.
Laite jumittuu usein.	Käytetään vääriä nauloja. Naulat ovat vioittuneet. Lipas on löysällä. Lipas on likainen.	Tarkista, että käytät oikeita nauloja. Vaihda naulat. Kirstä ruuvit. Puhdista lipas.
Laite pysähtyy ja LED-työvalot vilkkuvat nopeasti.	Akun varaus on vähissä tai lopussa. Laite on kuuma.	Lataa akku. Anna laitteen jäähtyä.
Laitteessa on ladattu akku ja LED-työvalot vilkkuvat hitaasti.	Laitteessa on vika.	Vie laite lähimpään valtuutettuun huoltoon.
Laite toimii asianmukaisesti mutta kiinnikkeet eivät uppoa pohjaan.	Laite on liian kylmä (alle 5 °C).	Lämmitä laite käyttölämpötilaan joko pitämällä sitä oikeassa ympäristössä tai laukomalla sitä jätemateriaaliin.
Laite ei toimi	Naulalipas on tyhjä/melkein tyhjä.	Täytä lipas.
Laite ei toimi	Naulausprosessi on keskeytynyt (vapauttamalla liipaisin keskellä prosessia).	Irrota akku ja vaihda nollataksesi järjestelmä.
Laite ei toimi	Liipaisinta tai työkappaleen kontaktia on pidetty liian kauan käynnistämättä naulan iskuprosessia.	Vapauta liipaisin ja aktivoi uudelleen.



**(NO) FEILSØKING**

PROBLEM	MULIG ÅRSAK	LØSNING
Del i kontakt med emne kan ikke trykkes sammen helt - verktøy fungerer ikke.	Lite stifter. Del i kontakt med emne er i klem.	Fyll på stifter. Ta ut batteriet og fjern smuss.
Verktøy fungerer riktig, men stifter kjøres ikke helt inn.	Luftrykk for lavt. Innskytingsdybde ikke dyp nok. Stift for lang for treets hardhet.	Øk luftrykket. Juster innskytingsdybden. Bruk stifter som passer i lengden til treverket.
Verktøy fungerer riktig, men stifter kjøres for langt inn.	Luftrykk for høyt. Innskytingsdybde for dyp.	Minsk luftrykket. Juster innskytingsdybden.
Verktøy er ofte i klem.	Feil stifter. Skade på stifter. Magasinet sitter for løst. Magasinet er skittent.	Sjekk at stiftestørrelsen er riktig. Skift ut stiftene. Stram skruene. Rens magasinet.
Verktøy stopper og LED-lyset blinker raskt.	Lavt batterinivå eller tomt. Verktøy er varmt.	Lad opp igjen batteriet. La verktøyet bli avkjølt.
Verktøy har ladet batteri og LED-lys blinker sakte.	Verktøy har feilfunksjon.	Lever verktøyet på nærmeste autoriserte verksted.
Verktøy fungerer riktig, men stifter kjøres ikke helt inn.	Verktøyet er for kaldt (mindre enn 5°C).	Varm opp verktøyet til driftstemperatur, enten ved å lagre det i riktig miljø eller ved å teststifte i en prøvebit.
Verktøy fungerer ikke.	Stiftemagasinet er tomt / nesten tomt.	Fyll på magasinet.
Verktøy fungerer ikke.	Stifteprosessen har blitt avbrutt (ved å slikke utløseren halvveis gjennom prosessen).	Fjern batteriet og sett inn igjen for å nullstille systemet.
Verktøy fungerer ikke.	Utløseren eller kontaktfaten har blitt holdt for lenge uten å aktivere stifteprosessen.	Slipp utløseren og aktiver den igjen.

(RU) ПОИСК И УСТРАНЕНИЕ НЕИСПРАВНОСТЕЙ

НЕИСПРАВНОСТЬ	ВОЗМОЖНАЯ ПРИЧИНА	СПОСОБ УСТРАНЕНИЯ
Элемент, контактирующий с обрабатываемым объектом, не зажат полностью – инструмент не работает.	Скобы в низком положении. Элемент, контактирующий с обрабатываемым объектом, застревает.	Добавьте скобы. Снимите аккумулятор и очистите мусор.
Инструмент работает правильно, но скобы вставлены не полностью.	Давление воздуха слишком низкое. Глубина вбивания не достаточно глубокая. Скобы слишком длинные для твердой древесины.	Увеличьте давление воздуха. Отрегулируйте глубину вбивания. Используйте скобы, соответствующие длине древесины.
Инструмент работает правильно, но скобы вставлены слишком глубоко.	Давление воздуха слишком высокое. Глубина вбивания не слишком глубокая.	Уменьшите давление воздуха. Отрегулируйте глубину вбивания.
Инструмент часто застревает.	Скобы неправильные. Скобы повреждены. Магазин ослаблен. Магазин загрязнен.	Убедитесь, что размер скоб правильный. Замените скобы. Затяните винты. Очистите магазин.
Инструмент прекращает работу, и начинают быстро мигать светодиодные индикаторы.	Мощность аккумулятора низка или он не заряжен. Инструмент перегрелся.	Подзарядите аккумулятор. Дайте инструменту остыть.
В инструменте подзаряженный аккумулятор, и светодиодные индикаторы медленно мигают.	Инструмент неправильно работает.	Отнесите инструмент в ближайший авторизованный ремонтный центр.
Инструмент работает правильно, но скобы вставлены не полностью.	Инструмент слишком охлажден (менее 5°C).	Разогрейте инструмент до рабочей температуры, расположив его в правильной окружающей среде или выполнив несколько тестовых вбиваний в ненужный материал.
Инструмент не работает.	Магазин скоб пуст / в нем мало скоб.	Пополните магазин.
Инструмент не работает.	Вбивание скоб прервано (перемещением курка в среднее положение во время процесса).	Снимите аккумулятор и замените его, чтобы сбросить систему.
Инструмент не работает.	Курок или контакт обрабатываемого объекта слишком долго удерживались без активации процесса вбивания скоб.	Отпустите курок, затем задействуйте его вновь.



**(PL) ROZWIĄZYWANIE PROBLEMÓW**

PROBLEM	PRAWDOPODOBNA PRZYCZYNA	ROZWIĄZANIE
Element roboczy nie jest całkowicie dociśnięty – narzędzie nie działa.	Niski stan gwoździ. Stykowy element roboczy jest zablokowany.	Uzupelnij gwoździe. Wymij akumulator i usuń zanieczyszczenia.
Narzędzie działa prawidłowo, ale mocowania nie są do końca wprowadzone.	Za niskie ciśnienie powietrza. Za mała głębokość wprowadzenia. Za długi gwoździ przy danej twardości drewna.	Zwiększ ciśnienie powietrza. Wyreguluj głębokość wprowadzenia. Użyj gwoździ o długości odpowiedniej do danego drewna.
Narzędzie działa prawidłowo, ale mocowania są wprowadzone za głęboko.	Za wysokie ciśnienie powietrza. Za duża głębokość wprowadzenia.	Zmniejsz ciśnienie powietrza. Wyreguluj głębokość wprowadzenia.
Narzędzie często blokuje się.	Nieprawidłowe gwoździe. Gwoździe są uszkodzone. Magazynek jest poluzowany. Magazynek jest brudny.	Sprawdź, czy rozmiar gwoździ jest prawidłowy. Wymień gwoździe. Dokręć śruby. Wyczyść magazynek.
Narzędzie zatrzymuje się i kontrolka robocza LED miga szybko.	Niski stan naładowania akumulatora lub wyczerpany akumulator. Narzędzie jest gorące.	Naładować akumulator. Poczekaj, aż narzędzie ostygnie.
Narzędzie naładowało akumulator i kontrolka robocza LED miga wolno.	Narzędzie działa nieprawidłowo.	Dostarcz narzędzie do najbliższego punktu serwisowego.
Narzędzie działa prawidłowo, ale mocowania nie są do końca wprowadzone.	Narzędzie jest za zimne (poniżej 5°C).	Ogrzej narzędzie do temperatury roboczej, umieszczając w odpowiednim środowisku lub wykonując wprowadzenia testowe przy użyciu dodatkowego materiału.
Narzędzie nie działa.	Pusty magazynek gwoździ/niski stan gwoździ.	Napełnij magazynek.
Narzędzie nie działa.	Proces wbijania gwoździ został przerwany (poprzez zwolnienie spustu w połowie drogi w trakcie procesu).	Wymij akumulator i włóż go ponownie, aby zresetować system.
Narzędzie nie działa.	Spust lub kontakt z materiałem trwał za długo bez uruchomienia procesu wbijania gwoździ.	Zwolnij spust, a następnie uruchom ponownie.

(CS) ŘEŠENÍ PROBLÉMŮ

PROBLÉM	MOŽNÁ PŘÍČINA	ŘEŠENÍ
Provozně kontaktní prvek není plně stisknut – nástroj nepracuje.	Hřebíky příliš nízké. Provozně kontaktní prvek zaseknut.	Doplňte hřebíky. Sundejte akumulátor a vyčistěte nečistoty.
Nástroj pracuje správně, ale upínadla nejsou dotažena.	Příliš nízký tlak stlačeného vzduchu. Hloubka pohonu nedostatečná. Hřebík je příliš dlouhý pro tvrdost dřeva.	Zvyšte tlak vzduchu. Seřďte hloubku pohonu. Použijte délky hřebíků vhodné pro dřevo.
Nástroj pracuje správně, ale upínadla jsou příliš hluboko.	Příliš vysoký tlak stlačeného vzduchu. Hloubka pohonu příliš hluboko.	Snižte tlak vzduchu. Seřďte hloubku pohonu.
Nástroj se často zasekává.	Hřebíky jsou nesprávné. Hřebíky jsou poškozeny. Volný zásobník. Znečištěný zásobník.	Ověřte správnou délku hřebíků. Vyměňte hřebíky. Utáhněte šrouby. Vyčistěte zásobník.
Nástroj se zastavuje a LED rychle bliká.	Akumulátor je téměř vybit nebo není nabíjen. Nástroj je horký.	Akumulátor dobijte. Nechajte zchladit.
Nástroj nabíjel baterii a LED pomalu bliká.	Nástroj selhal.	Odevezďte nástroj v nejbližším středisku oprav.
Nástroj pracuje správně, ale upínadla nejsou dotažena.	Nástroj příliš chladný (méně než 5°C).	Zahřejte nástroj na provozní teplotu skladování ve vhodném prostředí nebo používáním do náhradního materiálu.
Nástroj nefunguje.	Hřebíkový zásobník prázdný / téměř prázdný.	Doplňte zásobník.
Nástroj nefunguje.	Sbíjení hřebíky přerušeno (uvolněním spouště doprostřed dráhy při sbíjení hřebíky).	Sundejte akumulátor a vyměňte pro reset systému.
Nástroj nefunguje.	Spoušť nebo kontakt s obrobkem – drženo velmi dlouho bez aktivace sbíjení hřebíky.	Uvolněte spoušť, pak znovu aktivujte.



**(HU) HIBAELHÁRÍTÁS**

PROBLÉMA	LEHETSÉGES OK	MEGOLDÁS
A munkadarab érintkező elem nincs teljesen benyomva – a szerszám nem működik.	A szögek alacsonyak. A munkadarab érintkező elem ragadt be.	Töltse utána a szöveget. Vegye ki az akkumulátort, és tisztítsa ki a szennyeződésekét.
A gép megfelelően működik, de a kötőelemek nincsenek teljesen behajtvva.	A légnymás túl alacsony. A behajtási mélység nem elég nagy. A szög túl hosszú a fa keménységéhez.	Növelje a légnymást. Állítsa be a behajtási mélységet. Használjon a fának megfelelő hosszúságú szöveget.
A gép megfelelően működik, de a kötőelemek túl mélyen vannak behajtvva.	A légnymás túl magas. A behajtási mélység túl nagy.	Csökkentse a légnymást. Állítsa be a behajtási mélységet.
A gép gyakran elakad.	A szögek nem megfelelőek. A szögek sérültek. A tár kilazult. A tár szennyezett.	Győződjön meg róla, hogy a szögek mérete megfelelő. Cserélje ki a szöveget. Húzza meg a csavarokat. Tisztítsa ki a tárat.
A szerszámgép leáll, és a LED munkalámpa gyorsan villog.	Az akkumulátor töltöttségi szintje alacsony vagy lemerült. A szerszámgép forró.	Töltse fel az akkumulátort. Hagyja lehűlni a szerszámot.
A szerszám akkumulátora fel van töltve, és a LED munkalámpák lassan villognak.	A gép meghibásodott.	Vigye el a szerszámot a legközelebbi hivatalos szervizközpontba.
A gép megfelelően működik, de a kötőelemek nincsenek teljesen behajtvva.	A gép túl hideg (kevesebb, mint 5°C alatti).	Melegítse fel a szerszámot működési hőmérsékletre a megfelelő környezetben való tárolással vagy tartalék anyagba történő tesztbelövésekkel.
A gép nem működik.	A szögtár üres vagy majdnem üres.	Töltse tele a tárat.
A gép nem működik.	A szögezési folyamat megszakadt (a kioldó féltúról való elengedése során).	Vegye ki az akkumulátort, majd helyezze vissza a rendszer visszaállításához.
A gép nem működik.	A kioldó vagy a munkadarab érintkező túl hosszú ideig volt megtartva a szögbelövés nélkül.	Oldja ki a kioldót, majd aktiválja újra.

(RO) DEPANAREA

PROBLEMĂ	CAUZĂ POSIBILĂ	SOLUȚIE
Elementul de contact la piesa de lucru nu apasă complet - scula nu funcționează.	Cuiele sunt scurte. Elementul de contact la piesa de lucru este blocat.	Reumpleți cu cuie Îndepărtați bateria și curățați de resturi.
Scula funcționează corect, dar capsele nu sunt acționate complet.	Presiunea aerului este prea scăzută. Profunzimea de baterie nu este îndeajuns de adâncă. Cuiul este prea lung pentru rezistența lemnului.	Creșteți presiunea aerului. Reglați adâncimea de baterie. Folosiți cuie de lungime corespunzătoare pentru lemn.
Scula funcționează corect, dar capsele sunt acționate prea adânc.	Presiunea aerului este prea ridicată. Profunzimea de baterie este prea adâncă.	Scădeți presiunea aerului. Reglați adâncimea de baterie.
Scula se blochează frecvent.	Cuiele sunt necorespunzătoare. Cuiele sunt deteriorate. Încărcătorul este slăbit. Încărcătorul este murdar.	Verificați ca mărimea cuielor să fie corespunzătoare. Înlocuiți cuiele. Strângeți șuruburile. Curățați încărcătorul.
Scula se oprește iar luminile LED de funcționare pâlpâie rapid.	Bateria este descărcată sau nu este încărcată. Scula este fierbinte.	Încărcați bateria. Lăsați scula să se răcească
Acumulatorul sculei este încărcat iar luminile LED de funcționare pâlpâie lent.	Scula a funcționat necorespunzător.	Duceți scula la cel mai apropiat centru autorizat de reparare.
Scula funcționează corect, dar capsele nu sunt acționate complet.	Scula este prea rece (mai puțin de 5°C).	Încălziți scula la temperatura de funcționare, fie prin păstrarea într-un mediu corespunzător sau prin efectuarea de trageri test într-un material suplimentar.
Scula nu funcționează.	Încărcătorul de cuie este gol / aproape gol.	Reumpleți încărcătorul.
Scula nu funcționează.	Procesul de baterie a cuielor a fost întrerupt (prin eliberarea trăgaciului la mijlocul procesului).	Îndepărtați bateria și înlocuiți pentru a reseta sistemul.
Scula nu funcționează.	Trăgaciul sau contact cu piesa de lucru a fost ținut prea lung fără a se activa procesul de împușcare a cuielor.	Eliberați trăgaciul apoi activați-l din nou.



**(LV) PROBLĒMU NOVĒRŠANA**

PROBLĒMA	IESPĒJAMAIS IEMESLS	RISINĀJUMS
Darba-kontakta elements nav pilnībā nospiests — instruments nedarbojas.	Maz naglu. Darba-kontakta elements ir iesprūdis.	Papildiniet naglas. Izņemiet akumulatoru un izīrīiet gruzus.
Instruments darbojas pareizi, bet stiprinātāji netiek virzīti pilnībā.	Pārāk zems gaisa spiediens. Nepietiekams piedziņas dziļums. Naglas ir pārāk garas šai koka cietībai.	Palīdiniet gaisa spiedienu. Noregulējiet piedziņas dziļumu. Izmantojiet naglas, kuru garums atbilst kokam.
Instruments darbojas pareizi, bet stiprinātāji tiek virzīti pārāk dziļi.	Gaisa spiediens ir pārāk augsts. Piedziņa ir pārāk dziļa.	Samaziniet gaisa spiedienu. Noregulējiet piedziņas dziļumu.
Instruments bieži iesprūst.	Naglas nav pareizas. Naglas ir bojātas. Nodalījums ir vaļīgs. Nodalījums ir netīrs.	Pārbaudiet, vai naglu izmērs ir pareizs. Nomainiet naglas. Pievelciet skrūves. Iztīriet nodalījumu.
Instruments apstājas, un gaismas diožu darba gaismas ātri mirgo.	Akumulators ir gandrīz izlādējies vai izlādējies. Instruments ir karsts.	Uzlādējiet akumulatoru. Ļaujiet instrumentam atdzist.
Instrumentam ir uzlādēts akumulators, un gaismas diožu darba gaismas mirgo.	Instrumenta disfunkcija.	Nogādājiet instrumentu uz tuvāko pilnvaroto remonta centru.
Instruments darbojas pareizi, bet stiprinātāji netiek virzīti pilnībā.	Instruments ir pārāk auksts (zem 5 °C).	Uzsildiet instrumentu līdz darbības temperatūrai, uzglabājot pareizā vidē vai veicot pārbaudes darbības rezerves materiālā.
Instruments nedarbojas.	Naglu nodalījums ir tukšs/ gandrīz tukšs.	Uzpildiet nodalījumu.
Instruments nedarbojas.	Naglošana ir pārtraukta (atīzot slēdzi pusceļā procesa laikā).	Izņemiet un atkal ielieciet akumulatoru, lai atiestatītu sistēmu.
Instruments nedarbojas.	Slēdža vai detaļas saskare ir pārāk ilga, neaktivizējot naglošanas procesu.	Atīdriet, pēc tam aktivizējiet slēdzi.

(LT) GEDIMŲ ŠALINIMAS

GEDIMAS	GALIMA PRIEŽASTIS	SPRENDIMAS
Su ruošīni susilieciantis elements ne visiškai nusileidžia - įrankis neveikia.	Vinys žemai. Su ruošīni susilieciantis elements įstrigęs.	Papildykite vinių kasetę. Išimkite bateriją ir išvalykite susikaupusius nešvarumus.
Įrankis veikia tinkamai, tačiau tvirtinamieji elementai ne visiškai įkalami.	Oro spaudimas per žemas. Vinys kalamos nepakankamai giliai. Pagal medienos kietumą vinis per ilga.	Padidinkite oro spaudimą. Nustatykite kalimo gyįlį. Kalkite medienos storį atitinkančio ilgio vinis.
Įrankis veikia tinkamai, tačiau tvirtinamieji elementai įkalami per giliai.	Oro spaudimas per aukštas. Vinys kalamos per giliai.	Sumažinkite oro spaudimą. Nustatykite kalimo gyįlį.
Įrankis dažnai stringa.	Netinkamos vinys. Vinys pakenktos. Kasetė atspalaidavusi. Kasetė nešvari.	Patikrinkite, ar vinys tinkamo dydžio. Pakeiskite vinis. Suveržkite varžtus. Išvalykite kasetę.
Įrankis liaujasi veikęs ir dažnai įsižiebčia šviesos diodų lemputės.	Baterija silpna arba neįkrauta. Įrankis įkaitęs.	Įkraukite bateriją. Leiskite įrankiui ataušti.
Įrankis įkrovė bateriją, o šviesos diodų lemputės įsižiebčia lėtai.	Įrankis blogai veikia.	Nugabenkite įrankį į artimiausią įgaliotąją taisyklą.
Įrankis veikia tinkamai, tačiau tvirtinamieji elementai ne visiškai įkalami.	Įrankis per šaltas (mažiau nei 5°C).	Leiskite įrankiui įkaisti iki darbinės temperatūros: palaikykite jį tinkamoje aplinkoje arba iššaukite kelias vinis į nereikalingą ruošinį.
Įrankis neveikia.	Vinių kasetė tuščia / beveik tuščia.	Papildykite kasetę.
Įrankis neveikia.	Vinių kalimo procesas pertrauktas (nelaiku atleidus spragtuką).	Išimkite ir pakeiskite bateriją, kad galėtumėte iš naujo nustatyti sistemą.
Įrankis neveikia.	Spragtukas ar ruošinys per ilgai laikomas nepradedant vinių šaudymo proceso.	Atleiskite ir vėl nuspauskite spragtuką.



**(ET) VEAOTSING**

ILMING	VÕIMALIK PÕHJUS	LAHENDUS
Kontaktotsakut ei saa lõpuni alla vajutada ja tööriist ei hakka tööle.	Naelad on otsas. Kontaktotsak on kinni kiilunud.	Lisage naelu. Eemaldage aku ja puhastage see prahist.
Tööriist töötab, kuid kinnitid ei ole lõpuni sisse löödud.	Õhurõhk on liiga madal. Tõukur ei liigu piisavalt sügavale. Nael on kõva puu jaoks liiga pikk.	Tõstke õhurõhku. Reguleerige naelutusügavust. Kasutage puidule sobiva pikkusega naelu.
Tööriist töötab, kuid kinnitid on liiga sügavale löödud.	Õhurõhk on liiga kõrge. Tõukur liigub liiga sügavale.	Alandage õhurõhku. Reguleerige naelutusügavust.
Tööriist jääb sagedasti kinni.	Valed naelad. Naelad on vigastatud. Magasin on lõtvunud. Magasin on mustunud.	Kontrollige, et nael on õige mõduga. Asendage naelad. Keerake kinnituskruid kinni. Puhastage magasin.
Tööriist seiskub ja LED-märgutuli vilgub kiiresti.	Aku ei ole piisavalt laetud. Tööriist on üle kuumenenud.	Laadige aku. Laske tööriistal jahtuda.
Tööriistal on laetud aku ja LED-märgutuli vilgub aeglaselt.	Tööriist tõrgub.	Andke tööriist oma piirkonna hoolduskeskusesse.
Tööriist töötab, kuid kinnitid ei ole lõpuni sisse löödud.	Tööriist on liiga külm (alla 5 °C).	Soojendage tööriist töötemperatuurini, hoides seda sobiva temperatuuriga ruumis või tehes jääkmaterjali sisse soojendusnaelutamist.
Tööriist ei tööta.	Naelamagasin on tühi või peaaegu tühi.	Täitke magasin.
Tööriist ei tööta.	Naelutamine katkeb (päästik lõtvub poolel käigupikkusel).	Võtke aku välja ja pange tagasi, et süsteem lähtestada.
Tööriist ei tööta.	Päästikut või kontaktotsakut on hoitud all liiga kaua ilma naelutamist alustamata.	Laske päästik lahti ja vajutage seejärel uuesti alla.

(HR) RJEŠAVANJE PROBLEMA

PROBLEM	MOGUĆI UZROK	RJEŠENJE
Radni elementi u kontaktu na odvajaju se potpuno - alat ne radi.	Premalo čavala. Radni elementi u kontaktu su zaglavijeni.	Nadopunite čavle. Uklonite bateriju i očistite ostatke.
Alat pravilno radi, no učvrсни elementi nisu potpuno pritegnuti.	Tlak zraka je prenizak. Dubina uvođenja nije dovoljna dubina. Čavao je predug za tvrdoću drveta.	Povećajte tlak zraka. Podesite dubinu uvođenja. Koristite čavle koji duljinom odgovaraju drvetu.
Alat pravilno radi, no učvrсни elementi su previše stegnuti.	Tlak zraka je previsok. Dubina uvođenja je preduboka.	Smanjite tlak zraka. Podesite dubinu uvođenja.
Alat se često zaglaviljuje.	Čavli nisu odgovarajući. Čavli su oštećeni. Spremnik je labav. Spremnik je prljav.	Provjerite je li duljina čavala točna. Zamijenite čavle. Pritegnite vijke. Očistite spremnik.
Alat se zaustavio i LED žaruljice brzo trepere.	Slaba napunjenost baterije ili nema punjenja. Alat je prevruć.	Napunite bateriju. Pustite alat da se ohladi.
Alat puni bateriju i LED žaruljice polako trepere.	Alat je u kvaru.	Odnosite alat u najbliži ovlašteni servisni centar.
Alat pravilno radi, no učvrсни elementi nisu potpuno pritegnuti.	Alat je prehladan (manje od 5°C).	Zagrijte alat do radne temperature, na način da ga spremate u odgovarajućem okruženju ili ispaljivanjem nekoliko probnih hitaca u rezervni materijal.
Alat ne radi.	Spremnik s čavlima je prazan/pred pražnjenjem.	Nadopunite spremnik.
Alat ne radi.	Postupak uvođenje čavala je prekinut (otpuštanjem sklopke na pola postupka).	Uklonite bateriju i zamijenite kako biste resetirali sustav.
Alat ne radi.	Sklopka ili izradak je u kontaktu predugo bez aktiviranja postupka ispaljivanja čavla.	Otpustite sklopku potom ponovno aktivirajte.



**(SL) ODPRAVLJANJE NAPAK**

TEŽAVA	MOŽNI VZROKI	REŠITEV
Elementa za stik z obdelovancem ni mogoče v celoti pritisniti – orodje ne deluje.	Želbljev bo kmalu zmanjkalo. Element za stik z obdelovancem je zagoden.	Vstavite želblje. Odstranite baterijo in očistite nesnago.
Orodje deluje pravilno, vendar pritrtil ni mogoče popolnoma zabiti.	Pre nizki zračni tlak. Globina zabijanja ni zadostna. Želbljev je predolg za trdoto lesa.	Zvišajte zračni tlak. Prilagodite globino zabijanja. Uporabite želblje z ustrezno dolžino glede na les.
Orodje deluje pravilno, vendar se pritrtila zabijejo pregloboko.	Previsok zračni tlak. Globina zabijanja je prevelika.	Znižajte zračni tlak. Prilagodite globino zabijanja.
Orodje se pogosto zagozdi.	Želblji niso ustrezni. Želblji so poškodovani. Magazin je slabo pritrjen. Magazin je slabo umazan.	Preverite, ali je velikost želbljev ustrezna. Zamenjajte želblje. Privijte vijake. Očistite magazin.
Orodje se ustavi in delovne lučke LED hitro utripajo.	Akumulator je prazen ali skoraj prazen. Orodje se je pregrelo.	Napolnite baterijo. Pustite, da se orodje ohladi.
Orodje ima napolnjen akumulator, delovne lučke LED pa utripajo počasi.	Orodje se je okvarilo.	Odnosite orodje v najbližji pooblaščen servisni center.
Orodje deluje pravilno, vendar pritrtil ni mogoče popolnoma zabiti.	Orodje je prehladno (manj kot 5 °C).	Ogrejte orodje na delovno temperaturo, in sicer tako, da ga shranite v ustrezno okolje ali da sprožite nekaj preizkusnih streliv v odvečen material.
Orodje ne deluje.	Magazin za želblje je prazen/skoraj prazen.	Napolnite magazin.
Orodje ne deluje.	Postopek zabijanja želbljev je bil prekinjen (spust sprožilca med izvajanjem postopka).	Odstranite akumulator in ga ponovno vstavite, da ponastavite sistem.
Orodje ne deluje.	Predolgo držanje sprožilca ali vzdrževanje stika z obdelovancem brez aktiviranja postopka sprožitve želblja.	Spustite sprožilec in ponovno aktivirajte.

(SK) RIEŠENIE PRŔBLŔMOV

PRŔBLŔM	MOŽNÁ PRŔČINA	RIEŠENIE
Prvok, ktorý je v kontakte s obrobkom, sa úplne nepritrŔa – nástroj nefunguje.	Dochádzajú klince. Prvok, ktorý je v kontakte s obrobkom, je zaseknutý.	DoplŔte klince. Vyberte akumulátor a vy čistite sutinu.
Nástroj funguje správne, ale sponky nie sú úplne zabité.	Tlak vzduchu je príliš nízky. Hĺbka vbĳania nie je dostatočne hĳboká. Klinec je príliš dlhý na trvdosť dreva.	ZvŔšte tlak vzduchu. Nastavenie hĺbky vbĳania. Používajte klince dlžky, ktorá je vhodná pre drevo.
Nástroj funguje správne, ale sponky sú zabité príliš hĳboko.	Tlak vzduchu je príliš vysoký. Hĺbka vbĳania je príliš hĳboká.	Znížte tlak vzduchu. Nastavenie hĺbky vbĳania.
Nástroj sa často zasekáva.	Klince sú nesprávne. Klince sú poškodené. Zásobník je uvoľnený. Zásobník je znečistený.	Skontrolujte, či je veľkosť klincov správna. Vymeňte klince. Utiahnite skrutky. Vyčistite zásobník.
Nástroj sa zastaví a prevádzkové indikátory LED rýchlo blikajú.	Akumulátor je takmer vybitý alebo úplne vybitý. Nástroj je horúci.	Nabite akumulátor. Nechajte nástroj vychladnúť.
Nástroj má nabitý akumulátor a prevádzkové indikátory LED pomaly blikajú.	Nástroj má poruchu.	Zaneste nástroj do najbližšieho autorizovaného servisného centra.
Nástroj funguje správne, ale sponky nie sú úplne zabité.	Nástroj je príliš studený (menej ako 5 °C).	Zahrejte nástroj na prevádzkovú teplotu – buď ho uložte do vhodného prostredia alebo vstreľte niekoľko skúšobných rán do prebytočného materiálu.
Nástroj nefunguje.	Zásobník na klince je prázdny / takmer prázdny.	DoplŔte zásobník.
Nástroj nefunguje.	Proces zatŔkania klincov bol prerušený (uvoľnením spúšte do polovice počas procesu).	Vyberte akumulátor a znova ho vložte, čím sa systém zresetuje.
Nástroj nefunguje.	Spúšť alebo kontakt obrobkom bol udržiavaný príliš dlho bez aktivácie procesu nastrefovania klincov.	Uvoľnite spúšť a znova ju aktivujte.



**(BG) ОТСТРАНЯВАНЕ НА ПРОБЛЕМИ**

Проблем	Възможна причина	Решение
Елементът за контакт с работния елемент не потъва напълно – продуктът не работи.	Количеството пирони е ниско. Елементът за контакт са работния елемент е задръстен.	Допълнете с пирони. Отстранете батерията и почистете остатъците.
Продуктът работи нормално, но скобите не се забиват напълно.	Налиягането е твърде ниско. Дълбочината на забиване не е достатъчна. Пиронът е твърде дълъг за твърдостта на дървесината.	Повишете налягането на въздуха. Регулирайте дълбочината на забиване. Използвайте пирони с дължина, подходяща за дървесината.
Продуктът работи нормално, но скобите се забиват прекалено дълбоко.	Налиягането е твърде високо. Дълбочината на забиване е твърде голяма.	Намалете налягането на въздуха. Регулирайте дълбочината на забиване.
Продуктът се задръства често.	Пироните са неправилни. Пироните са повредени. Пълнителят е хлабав. Пълнителят е замърсен.	Проверете да ли размерът на пироните е правилен. Сменете пироните Затегнете винтовете. Почистете пълнителя.
Продуктът спира и LED индикаторите за операция мигат бързо.	Батерията е слаба или изтощена. Продуктът се е нагорещил.	Заредете батерията. Извакнете двигателя да се охлади.
Продуктът е със заредена батерия и LED работната лампа мига бавно.	Продуктът е повреден.	Занесете продукта в най-близкия упълномощен сервиз.
Продуктът работи нормално, но скобите не се забиват напълно.	Продуктът е твърде студен (под 5 °С).	Заоплетете продукта до работната температура, като го приберете за съхранение в подходяща среда или като забиете пробно пирони в непотребен материал.
Продуктът не работи.	Пълнителят с пирони е празен/ количеството е ниско.	Напълнете пълнителя.
Продуктът не работи.	Процесът на забиване на пирон е бил прекъснат (заради освобождаване на спусъка по средата на процеса).	Извадете батерията и я сменете, за да нулирате системата.
Продуктът не работи.	Спусъкът или контактът с работния детайл е бил задръжан твърде дълго без активиране на процеса на изстрелване на пирон.	Отпуснете спусъка и след това активирайте отново.

(UK) ПОШУК І УСУНЕННЯ НЕСПРАВНОСТЕЙ

ПРОБЛЕМА	МОЖЛИВІ ПРИЧИНИ	РІШЕННЯ
Робочий контактуючий елемент не прилягає повністю - інструмент не працює.	Замало цвяхів. Контактуючий із заготівлею елемент застряг.	Завантажте цвяхи. Вийміть акумулятор та почистіть сміття.
Продукт працює належним чином, але кріплення не виїжджає повністю.	Тиск повітря занадто низький. Глибина диска недостатньо глибока. Цвяхи занадто довгі, як для такої твердої деревини.	Збільште тиск повітря. Відрегулюйте глибину введення. Використовуйте цвяхи, довжина яких підходить для деревини.
Продукт працює належним чином, але кріплення заводяться занадто глибоко.	Тиск повітря занадто високий. Глибина введення занадто глибока.	Зменшіть тиск повітря. Відрегулюйте глибину введення.
Продукт постійно застрягає.	Непридатні цвяхи. Цвяхи пошкоджені. Магазин вільний. Магазин грязний.	Переконайтеся, що розмір цвяхів є правильним. Замініть цвяхи. Затягніть шурупи. Очистіть магазин.
Продукт зупинився і СВД робоче світло швидко блимає.	Акумулятор розряджений або не має заряду. Продукт гарячий.	Зарядіть акумулятор. Дозвольте продукту охолдитися.
Продукт має заряджений акумулятор і СВД робоче світло повільно блимає.	Продукт несправний.	Відвезіть виріб у найближчий авторизований сервісний центр.
Інструмент працює правильно, але цвяхи забиваються не повністю.	Інструмент занадто холодний (температура нижче 5° С).	Прогрійте інструмент до робочої температури, тримаючи його у відповідному середовищі або випускаючи цвяхи в непотрібний матеріал.
Інструмент не працює.	Касета для цвяхів порожня / цвяхів дуже мало.	Заповніть касету.
Інструмент не працює.	Процес забивання цвяхів був перерваний (внаслідок відпускання курка).	Щоб скинути систему, витягніть і замініть акумулятор.
Інструмент не працює.	Курок або контактна область утримувалися надто довго без активації випуску цвяха.	Відпустіть курок, а потім натисніть знову.



**(TR) SORUN GIDERME**

SORUN	OLASI NEDENI	ÇÖZÜMÜ
Çalışma temas elemanı tamamen baskı uygulamıyor - alet çalışmıyor.	Çiviler azaldı. Çalışma temas elemanı sıkışmış.	Çivi doldurun. Pili çıkartın ve artıkları temizleyin.
Alet doğru şekilde çalışıyor ancak sabitleyiciler tam tahrikle çalışmıyor.	Hava basıncı çok düşük. Takma derinliği yeterince derin değil. Çivi sert ahşap için çok uzun.	Hava basıncını arttırın. Takma derinliğini ayarlayın. Ahşap için uygun uzunlukta çivi kullanın.
Alet doğru şekilde çalışıyor ancak sabitleyiciler çok derine gitmiyor.	Hava basıncı çok yüksek. Takma derinliği çok derin.	Hava basıncını düşürün. Takma derinliğini ayarlayın.
Alet çok sık sıkışıyor.	Çiviler yanlış. Çiviler hasarlı. Kartuş gevşemiş. Kartuş kirlili.	Çivi boyutunun doğru olduğunu onaylayın. Çivileri değiştirin. Vidaları sıkın. Kartuşu temizleyin.
Alet durdu ve LED çalışma ışıkları hızlı bir şekilde yanıp sönlüyor.	Pilin şarjı az veya şarjı yok. Alet sıcak.	Pili yeniden şarj edin. Aletin soğumasına izin verin.
Aletin pili dolu ve LED çalışma ışıkları yavaş bir şekilde yanıp sönlüyor.	Alet arızalandı.	Aleti en yakın yetkili onarım merkezine götürün.
Alet doğru şekilde çalışıyor ancak sabitleyiciler tam tahrikle çalışmıyor.	Alet çok soğuk (5°C'nin altında).	Aleti uygun çevrede saklayarak veya fazla materyale üzerine test atışları yaparak çalışma sıcaklığına kadar ısıtın.
Alet çalışmıyor.	Çivi kartuşu boş / çok azalmış.	Kartuşu yeniden doldurun.
Alet çalışmıyor.	Çivileme işlemi kesilmiş (tetik işlemin yarıсында serbest bırakılarak).	Pili çıkartın ve sistemi sıfırlamak için değiştirin.
Alet çalışmıyor.	Tetik ve üzerinde çalışılacak parçanın temas elemanı çivi ateşleme işlemi yapılmadan çok uzun süre basılı tutulmuş.	Tetigi bırakıp yeniden basın.

(EL) ANTIMETΩΠΙΣΗ ΠΡΟΒΛΗΜΑΤΩΝ

ΠΡΟΒΛΗΜΑ	ΠΙΘΑΝΗ ΑΙΤΙΑ	ΛΥΣΗ
Το στοιχείο επαφής εργασίας δεν πιέζεται πλήρως, το εργαλείο δεν λειτουργεί.	Τα καρφιά είναι χαμηλά. Το στοιχείο επαφής εργασίας έχει μπλοκάρει.	Ανεφοδιάστε με καρφιά. Απομακρύνετε τη μπαταρία και καθαρίστε από τα υπολείμματα.
Το εργαλείο λειτουργεί σωστά αλλά οι συνδετήρες δεν οδηγούνται πλήρως.	Η πίεση αέρα είναι πολύ χαμηλή. Το βάθος του οδηγού δεν είναι αρκετά μεγάλο. Το καρπί είναι πολύ μακρύ για τη σκληρότητα του ξύλου.	Αυξήστε την πίεση αέρα. Προσαρμόστε το βάθος του οδηγού. Χρησιμοποιήστε καρφιά κατάλληλου μήκους για ξύλο.
Το εργαλείο λειτουργεί σωστά αλλά οι συνδετήρες οδηγούνται πολύ βαθιά.	Η πίεση αέρα είναι πολύ υψηλή. Το βάθος του οδηγού είναι πολύ μεγάλο.	Μειώστε την πίεση αέρα. Προσαρμόστε το βάθος του οδηγού.
Το εργαλείο μπλοκάρει συχνά.	Τα καρφιά είναι λάθος. Τα καρφιά είναι φθαρμένα. Η υποδοχή είναι χαλαρή. Η υποδοχή είναι βρώμικη.	Βεβαιωθείτε ότι το μέγεθος των καρφιών είναι σωστό. Αντικαταστήστε τα καρφιά. Σφίξε τις βίδες. Καθαρίστε την υποδοχή.
Το εργαλείο σταματάει και οι λυχνίες εργασίας LED αναβοσβήνουν γρήγορα.	Η μπαταρία είναι άδεια ή δεν έχει φορτιστεί. Το εργαλείο είναι καυτό.	Επαναφορτίστε την μπαταρία. Αφήστε το εργαλείο να κρυώσει.
Το εργαλείο έχει φορτισμένη μπαταρία και οι λυχνίες εργασίας LED αναβοσβήνουν αργά.	Το εργαλείο παρουσιάζει δυσλειτουργία.	Πηγαίστε το εργαλείο στο κοντινότερο εξουσιοδοτημένο κέντρο επισκευών.
Το εργαλείο λειτουργεί σωστά αλλά οι συνδετήρες δεν οδηγούνται πλήρως.	Το εργαλείο είναι πολύ κρύο (λιγότερο από 5°C).	Επιτρέψτε το εργαλείο να ζεσταθεί σε θερμοκρασία λειτουργίας είτε αποθηκεύοντας στο σωστό περιβάλλον είτε κάνοντας δοκιμαστικές εξαπολύσεις σε εφεδρικό υλικό.
Το εργαλείο δε λειτουργεί.	Η υποδοχή καρφιών είναι άδεια/ πολύ χαμηλά.	Γεμίστε εκ νέου την υποδοχή.
Το εργαλείο δε λειτουργεί.	Η διαδικασία καρφώματος διεκόπη (αποδεσμεύοντας τη σκανδάλη στα μέσα της διαδρομής μέσω της διαδικασίας).	Απομακρύνετε τη μπαταρία και αντικαταστήστε για την επαναφορά του συστήματος.
Το εργαλείο δε λειτουργεί.	Η σκανδάλη ή η επαφή τεμαχίου επεξεργασίας κρατήθηκε για πολύ ώρα χωρίς να ενεργοποιηθεί η διαδικασία εξαπόλυσης καρφιών.	Αποδεσμεύστε τη σκανδάλη, στη συνέχεια ενεργοποιήστε την πάλι.





EN WARNING

The vibration emission level given in this information sheet has been measured in accordance with a standardised test given in EN 60745 and may be used to compare one tool with another. It may be used for a preliminary assessment of exposure. The declared vibration emission level represents the main applications of the tool. However if the tool is used for different applications, with different accessories or poorly maintained, the vibration emission may differ. This may significantly increase the exposure level over the total working period.

An estimation of the level of exposure to vibration should also take into account the times when the tool is switched off or when it is running but not actually doing the job. This may significantly reduce the exposure level over the total working period. Identify additional safety measures to protect the operator from the effects of vibration such as: maintain the tool and the accessories, keep the hands warm, organisation of work patterns.

FR AVERTISSEMENT

Le niveau d'émission des vibrations indiqué dans cette feuille d'information a été mesuré en concordance avec un test normalisé fourni par EN60745 et peut être utilisé pour comparer un outil à un autre. Il peut être utilisé pour une évaluation préliminaire de l'exposition. Le niveau déclaré d'émission des vibrations s'applique à l'utilisation principale de l'outil. Toutefois, si l'outil est utilisé pour des applications différentes, avec des accessoires différents, ou mal entretenu, l'émission de vibrations peut être différente. Le niveau d'exposition peut en être augmenté de façon significative tout au long de la période de travail.

Une estimation du niveau d'exposition aux vibrations doit aussi prendre en compte les périodes où l'outil est arrêté ainsi que les périodes où il fonctionne sans vraiment travailler. Le niveau d'exposition pendant la durée totale du travail peut en être réduit de façon significative. Prenez en considération les mesures additionnelles de sécurité à prendre pour protéger l'opérateur des effets des vibrations telles que: maintien de l'outil et de ses accessoires, maintien des mains au chaud, organisation du travail.

DE WARNUNG

Der in diesem Informationsblatt genannte Schwingungspegel wurde entsprechend dem standardisierten Test von EN60745 gemessen und kann benutzt werden um das Werkzeug mit anderen zu vergleichen. Er kann benutzt werden, um eine vorausgehende Einschätzung der Exposition durchzuführen. Der genannte Schwingungspegel repräsentiert den Haupteinsatzbereich des Werkzeugs. Jedoch kann das Werkzeug für verschiedene Einsatzbereiche benutzt werden. Mit unterschiedlichen Zusatzgeräten oder bei schlechter Wartung kann der Schwingungspegel unterschiedlich sein. Dadurch kann die Expositionshöhe über die gesamte Arbeitszeit signifikant erhöht werden.

Eine Einschätzung der Exposition zu Schwingungen sollte auch die Zeiten wenn das Werkzeug ausgeschaltet ist, oder wenn es angeschaltet aber nicht in Betrieb ist, in Betracht ziehen. Dadurch kann die Expositionshöhe über die gesamte Arbeitszeit signifikant reduziert werden. Identifizieren Sie zusätzliche Sicherheitsmaßnahmen um die Bedienungsperson vor den Effekten der Schwingungen zu schützen, wie zum Beispiel: Das Werkzeug und Zusatzgeräte warten, Hände warmhalten und Organisation der Arbeitszeiten.

ES ADVERTENCIA

El nivel de emisión de las vibraciones que figura en esta hoja de información se ha medido según una prueba estandarizada que figura en EN60745 y puede ser utilizado para comparar una herramienta con otra. Puede ser utilizado para una evaluación preliminar de la exposición. El nivel de emisión de las vibraciones declarado representa las principales aplicaciones de la herramienta. No obstante, si la herramienta se utiliza para diferentes aplicaciones, con diferentes accesorios o no recibe el mantenimiento adecuado, la emisión de las vibraciones puede ser diferente. Esto puede aumentar significativamente el nivel de exposición durante el período de trabajo total.

Una estimación del nivel de exposición a la vibración también debe tener en cuenta el tiempo en el que la herramienta está desconectada o cuando está conectada pero no está realizando ningún trabajo. Esto puede reducir significativamente el nivel de exposición durante el período de trabajo total. Identificar las medidas de seguridad adicionales para proteger al operador de los efectos de las vibraciones, tales como: mantenimiento de la herramienta y de los accesorios, y la organización de los patrones de trabajo.

IT AVVERTENZE

Il livello di vibrazioni indicato in questo foglio informativo è stato misurato seguendo un test svolto secondo i requisiti indicati dallo standard EN60745 e potrà essere utilizzato per paragonare un utensile con un altro. Potrà essere utilizzato per una valutazione preliminare dell'esposizione a vibrazioni. Il livello dichiarato di emissioni di vibrazioni viene indicato tenendo conto delle applicazioni principali dell'utensile. Comunque se l'utensile viene utilizzato per applicazioni diverse con accessori diversi o non viene correttamente conservato, il livello delle vibrazioni potrà variare. Ciò potrà significativamente aumentare il livello di esposizione alle vibrazioni durante il periodo di lavoro totale.

Una valutazione del livello di esposizione alle vibrazioni dovrà inoltre prendere in considerazione i tempi in cui l'utensile viene spento o è acceso ma non viene utilizzato. Ciò potrà significativamente ridurre il livello di esposizione in un periodo totale di funzionamento. Ulteriori misure di sicurezza per proteggere l'operatore dagli effetti delle vibrazioni come: conservare correttamente l'utensile e i suoi accessori, tenere le mani calde e organizzare i tempi di lavoro.

NL WAARSCHUWING

Het trillingsemisniveau dat op dit informatieblad wordt gegeven, is gemeten in overeenstemming met een gestandaardiseerde test, vastgelegd in EN60745 en mag worden gebruikt om machines met elkaar te vergelijken. Het verklaarde trillingsemisniveau geeft de hoofdtoepassing van het gereedschap weer. Als de machine echter voor andere toepassingen of met andere accessoires wordt gebruikt of slecht wordt onderhouden, kan de trillingsemisnie verschillen. Dit kan de blootstelling gedurende de gehele werkduur aanzienlijk verhogen.

Bij een schatting van het niveau van blootstelling aan trillingen moet ook rekening worden gehouden met het aantal keren dat de machine wordt uitgeschakeld of draait, maar niet wordt gebruikt. Dit kan het niveau van blootstelling gedurende de gehele werkduur aanzienlijk verlagen. Stel bijkomende veiligheidsmaatregelen op om de gebruiker tegen de gevolgen van trillingen te beschermen: zoals onderhoud het gereedschap en de accessoires, houd de handen warm, de organisatie van werktijden.

PT AVISO

O nível de emissão de vibrações fornecido nesta folha de informações foi medido em conformidade com o teste uniformizado descrito em EN60745 e pode ser usado para comparar uma ferramenta com outra. Este pode ser usado para uma avaliação preliminar da exposição. O nível de emissão de vibração declarado refere-se à aplicação principal da ferramenta. Contudo, se a ferramenta for usada para aplicações diferentes, com acessórios diferentes ou não for devidamente mantida, a emissão de vibrações pode diferir. Isto pode fazer aumentar significativamente o nível de exposição ao longo do período de trabalho total.

Uma estimativa do nível de exposição às vibrações deve ter, também, em consideração o tempo durante o qual a ferramenta está desligada ou em que está ligada mas não está a realizar qualquer trabalho. Isto pode reduzir significativamente o nível de exposição durante o período total de trabalho. Identifique medidas adicionais de segurança que protejam o operário dos efeitos da vibração como a manutenção da ferramenta e dos acessórios, a manutenção das mãos quentes e a organização de padrões de trabalho.

DA ADVARSEL

Det angivne niveau for vibrationsemmission på denne oplysningsside er blevet målt iht. en standardtest ifølge EN60745 og kan bruges til at sammenligne værktøjer indbyrdes. Det kan bruges til en foreløbig eksponeringsvurdering. Det opgivne niveau for vibrationsemmission gælder, når værktøjet bruges til sit hovedformål. Men hvis værktøjet bruges til andre formål, kan der forekomme en mindre effektivitet og et øget niveau for vibrationsemmission. Dette kan medføre en betragtelig stigning i eksponeringsniveauet set over hele arbejdsperioden.

Et skøn over niveauet for vibrationsemmission bør også tage højde for de perioder, hvor værktøjet er slukket, eller hvor det er tændt uden faktisk at være i brug. Dette kan medføre en betragtelig reduktion i eksponeringsniveauet set over hele arbejdsperioden. Træf ekstra sikkerhedsforanstaltninger til beskyttelse af operatøren mod virkningerne fra vibrationen som fx: vedligeholdelse af værktøjet og ekstraudstyr, holde hænderne varme, organisere arbejdsmonstre.





SV VARNING

Vibrationsnivåerna som uppges i det här dokumentet har uppmäts i enlighet med ett standardiserat test som beskrivs i EN60745 och som kan användas för att jämföra verktyg. Det kan användas som en preliminär bedömning av den vibration som användaren utsätts för. De deklarerade vibrationsvärdena motsvarar de som uppstår när verktyget används i sitt huvudsyfte. Om verktyget används i andra syften, med andra tillbehör eller om verktyget är dåligt underhållet kan vibrationsnivåerna vara annorlunda. Det kan kraftigt öka vibrationsnivåerna över den totala arbetsperioden.

En uppskattning av vibrationsnivåerna som användaren utsätts för ska också ta hänsyn till de stunder då verktyget är avstängt och när det går på tomgång. Detta kan kraftigt minska vibrationsnivåerna över den totala arbetsperioden. Andra säkerhetsåtgärder som kan skydda användaren från effekterna av vibrationer är: underhållning av verktyget och tillbehören, hålla händerna varma och organisera arbets sättet.

FI VAROITUS

Tämän tiedotteen tärinäso on mitattu EN60745-standardien mukaisilla testeillä, ja niitä voidaan käyttää verrattaessa laitetta toiseen. Sitä voidaan käyttää arvioitaessa tärinävaikutusta. Ilmoitettu tärinäso vastaa laitteen pääasiallista käyttötarkoitusta. Jos laitetta kuitenkin käytetään muuhun tarkoitukseen, muilla lisälaitteilla tai huonosti huollettuina, tärinäso saattaa poiketa ilmoitetusta arvosta. Tämä voi kasvatata kokonaisaltistumista huomattavasti koko työjakson kuluessa.

Tärinän altistumistasoa arvioitaessa tulee huomioida ajat, jolloin laite on sammutettu tai kun se on käynnissä, mutta sitä ei käytetä varsinaiseen työskentelyyn. Tämä voi vähentää kokonaisaltistumista huomattavasti koko työjakson kuluessa. Käytä muitakin suojauskeinoja turvataksesi käyttäjän tärinävaikutukselta, kuten: huolla laite ja lisälaitteet, pidä kätesi lämpiminä, organisoi työnkulku.

NO ADVARSEL

Vibrasjonsnivået som oppgis på dette informasjonsarket er målt i henhold til en standardisert test gitt i EN60745 og kan brukes til å sammenligne ett verktøy med et annet. Det kan brukes til en foreløpig vurdering av eksponering. Det erklærte vibrasjonsnivået representerer hovedanvendelsen for verktøyet. Dersom verktøyet brukes for andre anvendelser, med forskjellige tilbehør eller med dårlig vedlikehold, vil vibrasjonsnivået kunne være annerledes. Det kan gi en betydelig økning av eksponeringsnivået over den totale arbeidsperioden.

En beregning av nivået for eksponering til vibrasjoner må også ta hensyn til den tiden verktøyet er slått av eller er i gang men ikke i faktisk bruk for å utføre den tiltenkte oppgaven. Dette kan gi en betydelig økning av eksponeringsnivået over den totale arbeidsperioden. Identifiser ytterligere sikkerhetstiltak for å beskytte den som bruker verktøyet fra virkningen av vibrasjoner, tiltak som: Vedlikehold verktøyet og tilbehøret, hold hendene varme, organiser arbeidsmetodene.

RU ОСТОРОЖНО!

Уровень вибрации, приведенный в данном справочном листе, измерен согласно стандартизованным испытаниям, определенным в EN60745 и может использоваться для сравнения различных инструментов. Значение уровня может использоваться для предварительной оценки влияния вибрации. Заявленный уровень вибрации действителен для основного применения инструмента. Однако, если инструмент используется для других целей, с другими приспособлениями, или плохо обслуживается, уровень вибрации может отличаться от указанного. Это может значительно увеличить величину воздействия за общее время работы.

При оценке уровня воздействия вибрации следует также принять во внимание время простоя и холостой ход (когда инструмент выключен и когда включен, но работа не производится). Эти факторы могут значительно уменьшить величину воздействия вибрации за общее время работы. Определите дополнительные меры безопасности, защищающие работающего от влияния вибрации: техническое обслуживание инструмента и принадлежностей, недопущение охлаждения рук, соответствующие приемы и распорядок работы.

PL OSTRZEŻENIE

Deklarowany poziom drgań został zmierzony za pomocą standardowej metody pomiaru określonej normą EN60745 i jego wyniki mogą służyć do porównywania tego urządzenia z innymi. Deklarowana wartość drgań może służyć do wstępnej oceny narażenia operatora na drgania. Deklarowany poziom drgań dotyczy podstawowych zastosowań urządzenia. Jednak w przypadku użycia urządzenia do innych zastosowań, z innymi przystawkami lub w przypadku niewłaściwego stanu technicznego urządzenia poziom drgań może odbiegać od deklarowanego. Może być to przyczyną zwiększenia stopnia narażenia operatora na drgania w całym okresie wykonywania pracy.

Podczas oceny narażenia na drgania należy również uwzględnić czas wyłączenia urządzenia oraz czas, w którym urządzenie jest włączone, jednak praca nie jest wykonywana. Czas te mogą znacznie zmniejszyć stopień narażenia operatora na drgania w całym okresie wykonywania pracy. Należy określić dodatkowe środki ochrony operatora przed skutkami drgań, przykładowo: dbać o stan techniczny urządzenia i przystawek, dbać o zachowanie ciepłoty dłoni, odpowiednio zorganizować harmonogram wykonywania prac.

CS VAROVÁNÍ

Hodnota vibračních emisí uvedená v tomto informačním listu byla naměřena standardizovaným testem podle EN60745 a ji použít k porovnání s hodnotami jiných nástrojů. Může se používat k předběžnému odhadu vystavování vibračím. Uznaná hodnota vibračních emisí reprezentuje hlavní použití nástroje. Nicméně pokud se nástroj používá pro jiné použití, s různými doplňky nebo se nedostatečně neudržuje, mohou se vibrační emise lišit. Toto může výrazně zvýšit úroveň vystavení nad celkové pracovní období.

Odhad úrovně vystavení vibračím by měl vzít taktéž v potaz časy, kdy je chvění vypnuté, nebo když přístroj běží, ale nevykonává práci. Toto může výrazně snížit úroveň vystavení nad celkové pracovní období. Určete doplňující bezpečnostní opatření pro ochranu obsluhy před různými vibracemi, například: Udržujte nástroj a doplňky, udržujte ruce v teple, organizujte pracovní schéma.

HU FIGYELMEZTÉTES

A vibráció-kibocsátás adattal megadott értéke az EN60745 által meghatározott szabványosított mérési eljárás szerint lett megmértve, amely lehetővé teszi a különböző szerszámok összehasonlítását. Használható a kitettség előzetes felmérésére is. A nyilatkozatban szereplő kibocsátási érték a szerszám főbb alkalmazási területeire vonatkozik. Ugyanakkor, ha a szerszámot más alkalmazásokra, más kiegészítőket használják vagy rosszul tartják karban, a vibráció-kibocsátás értéke ettől eltérő is lehet. Ez jelentősen növelheti a kitettség szintjét a gép teljes használati időtartama során.

A vibrációnak való kitettség szintjének becslésekor figyelembe kell venni azokat az időintervallumokat is, amikor a szerszám ki van kapcsolva, vagy működik, de nem végeznek munkát vele. Ez jelentősen csökkentheti a kitettség szintjét a gép teljes használati időtartama során. Tegyén további óvintézkedéseket a kezelő vibrációval szembeni megvédése érdekében: tartsa karban a szerszámot és a tartozékokat, tartsa melegen a kezét, tervezze meg a munkafolyamatot.

RO AVERTISMENT

Nivelul emisiilor de vibrații prezentat în cadrul acestei fișe cu informații a fost măsurat în conformitate cu un test standardizat furnizat în EN60745 și poate fi folosit la a compara o unealtă cu o alta. Poate fi folosit la o evaluare preliminară a expunerii. Nivelul declarat al emisiilor de vibrații reprezintă aplicațiile principale ale uneltei. Cu toate acestea, în cazul în care unealta este utilizată pentru aplicații diferite, cu accesorii diferite sau întreținute necorespunzător, emisiile de vibrații pot diferi. Acestea pot crește semnificativ nivelul de expunere pe întreaga perioadă de lucru.

O estimare a nivelului de expunere la vibrații trebuie, de asemenea, să țină cont de tălțile în care unealta este oprită sau de tălțile în care aceasta funcționează fără a efectua propriu-zis sarcina de lucru. Acestea pot reduce semnificativ nivelul de expunere pe întreaga perioadă de lucru. Identificați măsuri de siguranță suplimentare pentru a proteja operatorul de efectele vibrațiilor, precum: întreținerea uneltei și a accesoriilor, păstrarea mâinilor calde, organizarea de modele de lucru.





LV BRĪDINĀJUMS

Šajā datu lapā dotā vibrāciju emisijas vērtība ir mērīta saskaņā ar standartizēto testu, kas dots EN60745 un kuru var izmantot, lai salīdzinātu vienu instrumentu ar citu. To var izmantot aptuvenam ekspozīcijas novērtējumam. Deklarētais vibrāciju emisijas līmenis atbilst galvenajiem instrumenta pielietojumiem. Tomēr, ja instrumentu lieto citiem pielietojumiem, ar citiem piederumiem vai tas tiek slīkti apkopts, vibrāciju emisijas vērtība var atšķirties. Tas var ievērojami palielināt ekspozīcijas līmeni visā darba periodā.

Vibrāciju ekspozīcijas līmeņa novērtējumam jāņem vērā laiks, kad instruments ir izslēgts vai ir ieslēgts, bet neviens nekādu darbu. Tas var ievērojami samazināt ekspozīcijas līmeni visā darba periodā. Identificējiet papildu drošības pasākumus, lai aizsargātu operatoru no vibrāciju iedarbības, piemēram, veiciet instrumenta un piederumu apkopi, turiet rokas siltas un pielāgojiet darba grafiku.

LT ĮSPĖJIMAS

Šiame lapе nurodytas vibracijos emisijos lygis buvo išmatuotas pagal standartinį testą, aprašytą EN60745, ir gali būti naudojamas vieno įrankio su kitu palyginimui. Jis gali būti naudojamas preliminariam pavojaus įvertinimui. Deklaruotas vibracijos emisijos lygis priskiriamas pagrindinėms įrankio taikymo sritims. Tačiau, jei įrankis naudojamas kitiems tikslams, su kitokiais priedais ar įrankis prastai prižiūrimas, vibracijos emisija gali skirtis. Per visą darbo laikotarpį tai gali žymiai padidinti vibracijos keliamą pavojų.

Nustatant vibracijos keliamą pavojų taip pat būtina atsižvelgti į tai, kiek kartų įrankis yra išjungtas ar kai jis veikia, bet juo iš tikrųjų nedirbama. Per visą darbo laikotarpį tai gali žymiai sumažinti vibracijos keliamą pavojų. Naudokite papildomas apsaugos priemonės dirbančiam asmeniui apsaugoti nuo vibracijos poveikio, pvz.: prižiūrėti įrankį ir jo priedus, rankas laikyti šiltai, organizuoti darbo sesijas.

ET HOIATUS

Sellel inolehel esitatud vibratsioonitaseme väärtus on mõõdetud standardis EN60745 kirjeldatud katsemeetodiga ja seda võib kasutada tööriistade omakehiseks võrdlemiseks. Seda võib kasutada vibratsioonimõju eelhindamiseks. Deklareeritud vibratsioonitaseme väärtus kehtib tööriista tavakasutamisel. Kui aga kasutate tööriista muudeks kasutusotstarveteks, erioptarbeliste tarvikutega või kui tööriist on puudulikult hooldatud, siis võib vibratsiooniväärtus erineda. Sellistel juhtudel võib tööperioodi summaarne vibratsioonitaseme suureneda märgatavalt.

Vibratsiooniväärtuse taset tuleb arvesse võtta ka sel ajal, kui tööriist on välja lülitatud või kui tööriist pöörleb, kuid ei tee tööoperatsiooni. Sellistel juhtudel võib tööperioodi ajal summaarne vibratsioonitaseme väheneda märgatavalt. Määrake kindlaks täiendavad ohutusmeetmed, et kaitsa operaatorit vibratsioonimõjude eest – tööriistade ja tarvikute hooldamine, käte soojas hoidmine ja töväheluste organiseerimine.

HR UPOZORENJE

Razina vrijednosti vibracija data u ovoj tablici s informacijama mjerena je skladno normiranom testu pruženom u EN60745 i može se koristiti za usporedbu jednog alata s drugim. Može se koristiti u početnom usklađivanju izloženosti. Objavljena razina vrijednosti vibracija predstavlja glavnu primjenu alata. Međutim, ako se alat koristi za druge primjene, s različitim dodatnim priborom ili je slabo održavan, vrijednost vibracija može se razlikovati. Ovo može značajno povećati razinu izloženosti tijekom ukupnog radnog razdoblja.

U procjeni razine izloženosti na vibraciju također treba uzeti u obzir vrijeme kada je alat isključen ili kada je pokrenut no ne i stvarno vrijeme rada. Ovo može značajno smanjiti razinu izloženosti tijekom ukupnog radnog razdoblja. Odredite dodatne sigurnosne mjere za zaštitu operatera od učinaka vibracije poput: održavanje alata i pribora, održavanje toplih ruku, organizacija obrazaca za rad.

SL OPOZORILO

Nivo emisij vibracij, naveden v tem informacijskem listu, je bil izmerjen v skladu s standardiziranim testom, ki je podan v EN60745, podatek pa se lahko uporablja za primerjavo enega orodja z drugim. Uporablja se ga lahko za predhodno oceno izpostavljenosti. Navedeni nivo emisij vibracij predstavlja glavne uporabe orodja. Vendar, če se orodje uporablja v druge namene in z različnimi nastavki oz. če je orodje slabo vzdrževano, se lahko emisije vibracij razlikujejo. To lahko občutno poveča nivo izpostavljenosti v skupnem delovnem času.

Ocena nivoja izpostavljenosti vibracijam bi morala prav tako upoštevati, koliko krat je orodje bilo izključeno ali je v delovanju in pravzaprav ne opravlja svojega dela. To lahko občutno zmanjša nivo izpostavljenosti v skupnem delovnem času. Upoštevajte dodatne varnostne ukrepe, da bi upravljavca zaščitili pred vplivom vibracij, kot je: vzdržujte orodje in nastavke, pazite, da so roke tople, organizirajte delovne vzorce.

SK VAROVANIE

Úroveň emisie vibrácií, uvedená v tomto informačnom hárku bola nameraná v súlade so štandardizovaným testom, daný normou EN60745 a môže sa použiť na porovnanie jedného nástroja s druhým. Môže sa použiť na predbežné určenie miery vystavenia sa vibráciám. Uvedená úroveň emisie vibrácií predstavuje hlavné aplikácie nástroja. Avšak keď sa nástroj používa na iné aplikácie, s rôznym príslušenstvom alebo má zlú údržbu, úroveň vibrácií sa môže líšiť. Týmto sa môže výrazne zvýšiť úroveň vystavenia sa vibráciám počas celkového času práce.

Odhad úrovne vystavenia sa vibráciám by sa mal brať tiež do úvahy, vždy, keď sa nástroj vypne, alebo potom, keď beží ale v skutočnosti sa nevykonáva práca. Týmto sa môže výrazne znížiť úroveň vystavenia sa vibráciám počas celkového času práce. Nasledovné doplnujúce bezpečnostné opatrenia pomáhajú chrániť operátora od účinkov vibrácií: údržba nástroja a príslušenstva, udržiavanie teplých držadiel, organizácia práce.

BG ВНИМАНИЕ

Посоченото в тези инструкции ниво на вибрациите е измерено в съответствие със стандартизиран в EN 60745 измервателен метод и може да се използва за сравнение на електрически инструменти помежду им. Подходящ е и за временна оценка на вибрационното натоварване. Посоченото ниво на вибрациите представя основните приложения на електрическия инструмент. Ако обаче електрическият инструмент се използва с друго предназначение, с различни сменяеми инструменти или при недостатъчна техническа поддръжка, нивото на вибрациите може да е различно. Това чувствително може да увеличи вибрационното натоварване по време на целия работен цикъл.

За точната оценка на вибрационното натоварване трябва да се вземат предвид и периодите от време, в които уредът е изключен или работи, но в действителност не се използва. Това чувствително може да намали вибрационното натоварване по време на целия работен цикъл. Определете допълнителни мерки по техника на безопасност в защита на обслужващия работник от въздействието на вибрациите като например: техническа поддръжка на електрическия инструмент и сменяемите инструменти, поддръжане на ръцете топли, организация на работния цикъл.

UK ПОПЕРЕДЖЕННЯ

Рівень вібрації, зазначений у цьому інформаційному листку, був розрахований відповідно зі стандартизованим випробуванням, наведеним в EN 60745 і може використовуватися для порівняння одного інструмента з іншим. Він може бути використаний для попередньої оцінки впливу. Зазначений рівень вібрації представляє основні застосування інструменту. Тим не менш, якщо інструмент використовується для різних додатків, з різними аксесуарями і недоглянутий, рівень вібрації може відрізнятись. Це може значно підвищити рівень впливу протягом усього робочого періоду.

При оцінюванні рівня впливу вібрації необхідно також враховувати час, коли інструмент вимкнений або коли він працює, але насправді не виконує ніякої роботи. Це може значно зменшити рівень впливу протягом усього робочого періоду. Для захисту оператора від впливу вібрації, визначте додаткові заходи безпеки, такі як: ретельний догляд за інструментом і приладдям, тримання рук в теплі, і організація схеми роботи.





TR UYARI

Bu bilgi sayfasında verilen titreşim emisyon seviyesi, EN60745 standardında belirtilen standartlaştırılmış bir teste uygun olarak ölçülmüş ve bir aleti diğeriyle karşılaştırmak için kullanılabilir. On maruz kalma tespiti için kullanılabilir. Beyan edilen titreşim emisyon seviyesi aletin asıl uygulamalarını temsil etmektedir. Ancak alet, farklı aksesuarlarla veya yetersiz bakımlı olarak farklı uygulamalar için kullanılırsa titreşim emisyonu değişebilir. Bu durum toplam çalışma süresi boyunca maruz kalma seviyesini önemli ölçüde artırır.

Titreşime maruz kalma seviyesinin değerlendirilmesi aynı zamanda alet kapalı ve ardından çalışır ancak gerçek anlamda iş yapmadığı zamanlar da göz önünde bulundurulmalıdır. Bu durum toplam çalışma süresi boyunca maruz kalma seviyesini önemli ölçüde azaltır. Operatörü titreşimin etkilerinden korumak için ilave güvenlik önlemleri belirleyin, örneğin: aletin ve aksesuarlarının bakımını yapmak, operatörün ellerini sıcak tutmak, çalışma modellerini organize etmek.

EL ΠΡΟΕΙΔΟΠΟΙΗΣΗ

Τα επίπεδα εκπομπών κραδασμών που παρέχονται στο παρόν ενημερωτικό φυλλάδιο, έχουν μετρηθεί βάσει τυποποιημένης δοκιμής που προβλέπεται στο EN60745 και μπορούν να συγκριθούν για τη σύγκριση του εργαλείου με άλλα. Μπορούν επίσης να χρησιμοποιηθούν για προκαταρκτική αξιολόγηση της έκθεσης. Τα δηλωμένα επίπεδα εκπομπών κραδασμών αφορούν τις βασικές εφαρμογές του εργαλείου. Ωστόσο, αν το εργαλείο χρησιμοποιείται για διαφορετικές εφαρμογές, με διαφορετικά εξαρτήματα ή με κακή συντήρηση, η εκπομπή κραδασμών μπορεί να διαφέρει. Αυτό μπορεί να αυξήσει σημαντικά το επίπεδο έκθεσης στη συνολική περίοδο εργασίας.

Η εκτίμηση των επιπέδων έκθεσης σε κραδασμούς θα πρέπει επίσης να λαμβάνει υπόψη τις χρονικές περιόδους κατά τις οποίες το εργαλείο είναι απενεργοποιημένο ή λειτουργεί χωρίς να χρησιμοποιείται σε συγκεκριμένη εργασία. Αυτό μπορεί να μειώσει σημαντικά το επίπεδο έκθεσης στη συνολική περίοδο εργασίας. Εφαρμόστε επιπρόσθετα μέτρα ασφαλείας για την προστασία του χειριστή από τις επιπτώσεις των κραδασμών, όπως τα εξής: συντηρείτε το εργαλείο και τα εξαρτήματα, διατηρείτε τα χέρια ζεστά, οργανώστε μοτίβα εργασίας.



EN RYOBI® WARRANTY APPLICATION CONDITIONS

In addition to any statutory rights resulting from the purchase, this product is covered by a warranty as stated below.

1. The warranty period is 24 months for consumers and commences on the date the product was purchased. This date has to be documented by an invoice or other proof of purchase. The product is designed and dedicated to consumer and private use only. So there is no warranty provided in case of professional or commercial use. This warranty applies only on new products.
2. There is a possibility to extend for a part of the range of power tools (AC/DC) the warranty period over the period described above using the registration on the www.ryobitools.eu website. The eligibility of products for extended warranty is clearly displayed in stores and / or on packaging and is contained within the product documentation. The end user is required to register his/her newly-acquired products online within 30 days from the date of purchase. The end user may register for the extended warranty in his/her country of residence if listed on the online registration form where this option is valid. Furthermore, end users must give their consent to the storage of their personal data that is required to be entered online. They must also accept the terms and conditions. The registration confirmation receipt, which is sent out by e-mail, and the original invoice showing the date of purchase will serve as proof of the extended warranty.
3. The warranty covers all defects of the product during the warranty period due to faults in workmanship or material at the purchase date. The warranty is limited to repair and/or replacement and does not include any other obligations including but not limited to incidental or consequential damages. The warranty is not valid if the product has been misused, used contrary to the instruction manual, or has been incorrectly connected to a power supply. This warranty does not apply to:
 - any damage to the product that is the result of improper or lack of maintenance
 - any product that has been altered or modified
 - any product where original identification (trade mark, serial number) markings have been defaced, altered or removed
 - any damage caused by non-observance of the instruction manual
 - any product not displaying the CE approval mark on the rating plate
 - any product that has been attempted to be repaired by a non-authorized warranty service centre or without prior authorisation by Techtronic Industries
 - any product connected to improper power supply (amps, voltage, frequency)
 - any damage caused by external influences (water, chemical, physical, shocks) or foreign substances
 - normal wear and tear spare parts
 - inappropriate use, overloading of the tool
 - use of non-approved accessories or parts
 - Power tool accessories provided with the tool or purchased separately, including but not limited to screw driver bits, drill bits, abrasive discs, sand paper and blades, lateral guide, etc.
 - Components (parts and accessories) subject to natural wear and tear, including but not limited to service & maintenance kits, carbon brushes, bearings, chuck, SDS drill bit attachment or reception, power cord, auxiliary handle, transport carry case, sanding plate, dust bag, dust exhaust tube, felt washers, impact wrench pins & springs, etc.
4. For servicing, the product must be sent or presented to a RYOBI authorised service station listed for each country in the following list of service station addresses. In some countries your local RYOBI dealer undertakes to send the product to the RYOBI service organisation. When sending a product to a RYOBI service station, the product should be safely packed without any dangerous contents such as petrol, marked with sender's address and accompanied by a short description of the fault.
5. A repair / replacement under this warranty is free of charge. It does not constitute an extension or a new start of the warranty period. Exchanged parts or products become our property. In some countries delivery charges or postage will have to be paid by the sender. Your statutory rights arising from the purchase of the product remain unaffected.
6. This warranty is valid in the European Community, Switzerland, Iceland, Norway, Liechtenstein, Turkey and Russia. Outside these areas, please contact your authorised RYOBI dealer to determine if another warranty applies.

AUTHORISED SERVICE CENTRE

To find an authorised service centre near you, visit <http://en.ryobitools.eu/header/service-and-support/service-agents>

FR RYOBI® CONDITIONS D'APPLICATION DE LA GARANTIE

En plus des droits statutaires liés à l'achat, ce produit est couvert par une garantie telle que décrite ci-dessous.

1. La durée de la garantie accordée au consommateur est de 24 mois à partir de la date d'achat. Cette date doit être authentifiée par une facture ou toute autre preuve d'achat. Le produit a été conçu en vue d'une utilisation strictement privée. Aucune garantie ne s'applique donc en cas d'utilisation professionnelle ou commerciale.
2. Il existe pour une partie de la gamme d'outils électroportatifs (AC/DC), une possibilité d'étendre la période de garantie au-delà de la période précédemment décrite en utilisant le formulaire d'enregistrement présent sur le site Internet www.ryobitools.eu. L'éligibilité d'un outil est clairement affichée dans les points de vente et/ou sur l'emballage et la documentation. L'utilisateur final doit enregistrer son/ses outil(s) nouvellement acheté(s) en ligne dans les 30 jours qui suivent la date d'achat. L'utilisateur a la possibilité de s'enregistrer pour l'extension de garantie dans son pays de résidence si celui-ci est listé dans le formulaire d'enregistrement en ligne où cette option est valide. L'utilisateur final doit donner son consentement pour l'enregistrement des données requises pour accéder au site et doit accepter les termes et conditions. La confirmation d'enregistrement, envoyée par courrier électronique, ainsi que la facture originale mentionnant la date d'achat serviront de preuve de l'extension de garantie.
3. La garantie couvre pendant la période de garantie les défauts des produits liés à la fabrication et aux matériaux à la date d'achat. La garantie est limitée à la réparation et/ou au remplacement et n'inclut aucune autre obligation, tel que, mais sans s'y limiter, les dommages accessoires ou indirects. La garantie est non valable en cas de mauvaise utilisation du produit, d'utilisation contraire aux instructions du mode d'emploi, ou en cas de branchement incorrect. Cette garantie ne s'applique pas pour :
 - tout dommage au produit résultant d'un mauvais entretien
 - tout produit ayant été altéré ou modifié
 - tout produit dont les marquages originaux d'identification (marque, numéro de série) ont été dégradés, altérés ou retirés
 - tout dommage causé par le non-respect des instructions du mode d'emploi
 - tout produit non CE
 - tout produit ayant subi une tentative de réparation par du personnel non qualifié ou sans autorisation préalable de Techtronic Industries
 - tout produit raccordé à une alimentation secteur non conforme (ampérage, voltage, fréquence)
 - tout dommage causé par des influences extérieures (chimiques, physiques, chocs) ou par des substances étrangères
 - l'usure normale des pièces consommables
 - une utilisation inappropriée, une surcharge de l'outil
 - l'utilisation de pièces ou accessoires non agréés
 - accessoires de l'outil électrique fournis avec l'outil ou achetés séparément. Cela comprend notamment les embouts de vissage, les forets de perceuse, les disques abrasifs, le papier de verre et les lames, le guide latéral
 - Les composants (pièces et accessoires) sujets à l'usure naturelle, ceci incluant notamment les mandrins, les charbons, adaplateurs SDS, les cordons d'alimentation, les poignées auxiliaires, les mallettes de transport, les plateaux de ponçage, les sacs collecteurs de poussière, les tubes d'extraction de poussière, les carrés de clé à choc, etc.
4. Si le produit doit être réparé, envoyez-le à un service après-vente agréé RYOBI dont vous trouverez ci-dessous la liste pour chaque pays. Dans certains pays, votre revendeur RYOBI se chargera d'envoyer le produit à un centre de réparation RYOBI. Lorsque vous envoyez un produit à un service après-vente RYOBI, celui-ci doit être correctement emballé, sans contenir aucun produit dangereux tel que de l'essence, et vous devez indiquer votre adresse ainsi qu'une courte description du problème.
5. Une réparation / un remplacement sous garantie est gratuit(e). Ceci ne constituera pas une extension de garantie ni un nouveau départ de la période de garantie. Les pièces ou les outils remplacés deviennent notre propriété. Dans certains pays, les frais de port devront être assumés par l'expéditeur. Vos droits statutaires restent inchangés.
6. Cette garantie est valable au sein de l'Europe, de la Suisse, de l'Islande, de la Norvège, du Liechtenstein, de la Turquie, de la Russie. En dehors de ces zones, veuillez contacter votre distributeur agréé RYOBI pour déterminer si une autre garantie s'applique.

SERVICE APRÈS-VENTE AGRÉÉ

Pour trouver le service après-vente agréé le plus proche, rendez-vous sur <http://fr.ryobitools.eu/header/service-and-support/service-agents>.

DE RYOBI® GARANTIEBEDINGUNGEN

Zusätzlich zu den gesetzlichen Rechten aus dem Kauf gilt für dieses Produkt die nachstehend aufgeführte Garantie.

- Der Garantiezeitraum beträgt für Verbraucher 24 Monate und beginnt mit dem Datum des Kaufs. Dieses Datum muss durch eine Rechnung oder einen anderen Kaufbeleg dokumentiert werden. Dieses Produkt wurde ausschließlich zur privaten Nutzung durch Verbraucher entwickelt. Für den Fall einer professionellen bzw. kommerziellen Nutzung besteht daher keine Garantie.
- Es besteht die Möglichkeit, für einen Teil des Sortiments der Elektrogeräte (AC/DC) den Garantiezeitraum über den oben genannten Zeitraum hinaus zu verlängern, indem der Verbraucher die Registrierung auf der Website www.ryobitools.eu durchführt. Die Berechtigung der Werkzeuge für die Garantieverlängerung ist deutlich im Geschäft und/oder auf der Verpackung beschrieben und in der Produktdokumentation erwähnt. Der Verbraucher muss das neu erworbene Gerät online innerhalb von 30 Tagen ab dem Kaufdatum registrieren. Der Verbraucher kann das Gerät zwecks Garantieverlängerung in seinem Wohnsitzland/Heimatland registrieren, wenn dieses Land auf dem Online-Registrierungsformular aufgeführt ist und die Option gültig ist. Darüber hinaus muss der Verbraucher seine Zustimmung zur Speicherung der Daten geben, die online eingegeben werden müssen, und er muss die allgemeinen Geschäftsbedingungen akzeptieren. Die Bestätigung der Registrierung, die per E-Mail versandt wird, und die Originalrechnung mit dem Kaufdatum gelten als Beleg für die Garantieverlängerung.
- Die Garantie deckt alle Defekte des Geräts während des Garantiezeitraums ab, die auf zum Zeitpunkt des Kaufs bestehende Verarbeitungs- oder Materialfehler zurückzuführen sind. Die Garantie beschränkt sich auf Reparatur und/oder Ersatz und beinhaltet keine anderen Verpflichtungen, insbesondere keinen Schadenersatz für Folge- oder Nebenschäden. Die Garantie gilt nicht, wenn das Gerät fehlerhaft eingesetzt wurde, gegensätzlich zur Bedienungsanleitung eingesetzt wurde oder falsch angeschlossen wurde. Die Garantie gilt nicht für Folgendes:
 - Schäden am Gerät, die auf unkorrekte Wartung zurückzuführen sind
 - Geräte, an denen Veränderungen vorgenommen wurden
 - Produkte, bei denen die ursprüngliche Identifizierung (Handelsmarke, Seriennummer) unleserlich gemacht, verändert oder entfernt wurde
 - Schäden durch Nichtbeachtung der Bedienungsanleitung
 - nicht-CE-zertifizierte Geräte
 - Geräte, an denen durch nicht-qualifizierte Personen oder ohne vorherige Genehmigung von Techtronic Industries Reparaturversuche vorgenommen wurden
 - Geräte, die an unkorrekte Energiequellen (Ampere, Volt, Frequenz) angeschlossen wurden
 - Schäden durch äußere Einflüsse (chemisch, physisch, Stöße) oder Fremdstoffe
 - normaler Verschleiß von Ersatzteilen
 - unangemessene Nutzung, Überlastung des Geräts
 - Nutzung nicht genehmigter Zubehörteile oder Ersatzteile
 - mit dem Gerät gelieferte oder separat erworbene Zubehörteile. Dieser Ausschuss beinhaltet, ist aber nicht beschränkt auf Schraubendreher-Bits, Bohreinsätze, Schleifscheiben, Sandpapier und Klingen, Seitenführungen
 - Komponenten (Ersatzteile und Zubehörteile), die natürlichen und normalen Verschleißerscheinungen unterworfen sind, einschließlich aber nicht beschränkt auf: Service- und Wartungssätze, Kohlebürsten, Lager, Spannfutter, SDS-Bohreraufnahme /Bit-Adapter, Netzkabel, Zusatzhandgriff, Transportkoffer, Schleifteller, Staubbeutel, Staubabsaugrohr, Filzunterlegscheiben, Bolzen und Federn von Schlagschraubern usw.
- Zum Service muss das Gerät zu einer von RYOBI autorisierten Servicestation gebracht oder dorthin gesendet werden. Die Servicestationen für die einzelnen Länder sind in der folgenden Liste aufgeführt. In einigen Ländern sendet Ihr RYOBI-Händler vor Ort das Gerät an das RYOBI-Serviceunternehmen. Beim Einsenden an die RYOBI-Servicestation sollte das Gerät sicher verpackt sein, ohne gefährliche Inhalte wie Benzin, und es sollte mit der Adresse des Absenders und einer kurzen Beschreibung des Fehlers versehen sein.
- Eine Reparatur bzw. ein Ersatz gemäß dieser Garantie ist kostenlos. Hieraus ergibt sich weder eine Garantieverlängerung noch der Beginn eines neuen Garantiezeitraums. Die ausgetauschten Ersatzteile oder Werkzeuge gehen in unser Eigentum über. In einigen Ländern müssen die Zustellgebühren oder die Versandkosten vom Absender gezahlt werden. Ihre gesetzlichen Rechte aus dem Kauf des Geräts bleiben hiervon unberührt.
- Diese Garantie gilt in der Europäischen Union, der Schweiz, Island, Norwegen, Liechtenstein, der Türkei und Russland. Bitte wenden Sie sich außerhalb dieser Gebiete an Ihren autorisierten RYOBI-Händler, um festzustellen, ob eine andere Garantie gilt.

AUTORISIERTER KUNDENDIENST

Besuchen Sie <http://de.ryobitools.eu/header/service-and-support/service-agents>, um einen autorisierten Kundendienst in Ihrer Nähe zu finden.

ES CONDICIONES DE APLICACIÓN DE LA GARANTÍA DE RYOBI®

Además de cualquier derecho legal derivado de la compra, este producto está cubierto por una garantía que se indica a continuación.

- El periodo de garantía es de 24 meses para consumidores y comienza en la fecha en que se compra el producto. Dicha fecha debe documentarse con una factura u otro comprobante de compra. El producto está diseñado y concebido únicamente para el uso privado del consumidor. Por lo tanto, no se ofrece garantía en caso de uso profesional o comercial.
- Existe la posibilidad de ampliar el periodo de garantía respecto a una parte de la gama de herramientas eléctricas (CA/CC) durante el periodo descrito más arriba y mediante el registro en el sitio web www.ryobitools.eu. La elegibilidad de las herramientas para que se amplíe el periodo de garantía se muestra claramente en las tiendas o en el embalaje y está incluida en la documentación del producto. El usuario final tiene que registrar en línea sus herramientas recientemente adquiridas en un plazo de 30 días a partir de la fecha de compra. El usuario final podrá registrarse para obtener la garantía ampliada en su país de residencia si este aparece en la lista del formulario de registro en línea cuando esta opción sea válida. Además, los usuarios finales deberán dar su consentimiento al almacenamiento de los datos necesarios para el acceso en línea y tienen que aceptar los términos y condiciones. El recibo de confirmación de registro, que se envía por correo electrónico, y la factura original que muestra la fecha de compra servirán como comprobante para la garantía ampliada.
- La garantía cubre todos los defectos del producto durante el periodo de garantía debido a fallos de mano de obra o material en la fecha de compra. La garantía se limita a la reparación o sustitución y no incluye ninguna otra obligación como, por ejemplo, daños accidentales o consecuentes. La garantía no es válida si se ha usado mal el producto, se ha usado contraviniendo el manual de instrucciones o se ha conectado de forma incorrecta. Esta garantía no es aplicable a:
 - ningún daño en el producto que sea consecuencia de un mantenimiento inadecuado
 - ningún producto que haya sido alterado o modificado
 - ningún producto en el que los marcados de identificación originales (marca comercial, número de serie) se hayan borrado, modificado o eliminado
 - ningún daño provocado por no seguir el manual de instrucciones
 - ningún producto que no sea CE
 - ningún producto que haya sufrido un intento de reparación por parte de un profesional no cualificado o sin la autorización previa de Techtronic Industries.
 - ningún producto conectado a un suministro eléctrico inadecuado (amperios, voltaje, frecuencia)
 - ningún daño causado por influencias externas (químicas, físicas, impactos) o sustancias extrañas
 - desgaste normal de piezas de repuesto
 - uso inadecuado, sobrecarga de la herramienta
 - uso de accesorios o piezas no aprobados
 - Accesorios de herramientas eléctricas proporcionados con la herramienta o comprados por separado. Tales exclusiones incluyen, entre otros, brocas de destornilladores, brocas de taladro, discos abrasivos, papel de lija y cuchillas, y guías laterales
 - Componentes (piezas y accesorios) sujetos a un desgaste natural, que incluyen, entre otros, equipos de servicio y mantenimiento, escobillas de carbono, cojinetes, pinzas, accesorio o recepción de broca de taladro SDS, cable eléctrico, manillar auxiliar, bolsa de transporte, hoja lijadora, bolsa de polvo, tubo de escape de polvo, disco de fieltro, pasadores y resortes de llave de impacto, etc.
- Para su mantenimiento, el producto debe enviarse o presentarse a una estación de servicio de RYOBI autorizada que figure en la siguiente lista de direcciones de estaciones de servicio por países. En algunos países, su distribuidor RYOBI local se responsabiliza de enviar el producto a la compañía de servicio de RYOBI. Cuando se envíe un producto a una estación de servicio de RYOBI, este debe estar empaquetado de forma segura sin contenidos peligrosos como gasolina, marcado con la dirección del remitente y acompañado de una breve descripción del fallo.
- Una reparación / sustitución con esta garantía es gratuita. No constituye una ampliación ni un nuevo comienzo del periodo de garantía. Las piezas o herramientas intercambiadas pasan a ser de nuestra propiedad. En algunos países, los gastos de envío o correo tendrán que pagarlos el remitente. Sus derechos legales derivados de esta compra de la herramienta no se verán afectados.
- Esta garantía es válida en la Unión Europea, Suiza, Islandia, Noruega, Liechtenstein, Turquía y Rusia. Fuera de estas zonas, póngase en contacto con su distribuidor de RYOBI autorizado para determinar si es aplicable otra garantía.

SERVICIO TÉCNICO AUTORIZADO

Para encontrar el servicio técnico autorizado más cercano, visite <http://es.ryobitools.eu/header/service-and-support/service-agents>

IT CONDIZIONI DI VALIDITÀ DELLA GARANZIA RYOBI®

In aggiunta ai diritti di legge risultanti dall'acquisto, il prodotto è coperto dalla garanzia sotto descritta.

- Il periodo di garanzia è di 24 mesi per i consumatori, a decorrere dalla data di acquisto del prodotto. La data deve essere documentata da una fattura o altra prova d'acquisto. Il prodotto è progettato e destinato solo all'utilizzo privato dei consumatori. Pertanto non viene fornita alcuna garanzia in caso di uso professionale o commerciale.
- Per una serie di utensili elettrici (CA/CC) è possibile prolungare il periodo di garanzia oltre quello descritto, registrandosi sul sito web www.ryobitools.eu. Gli utensili per i quali è possibile prolungare il periodo di garanzia sono chiaramente indicati nei negozi e/o sulle confezioni e nella documentazione dei prodotti. L'utente deve registrare online l'utensile acquistato entro 30 giorni dalla data di acquisto. L'utente può registrarsi per la garanzia prolungata nel proprio paese di residenza, se questo è elencato nel modulo di registrazione online dove questa opzione sia valida. Inoltre gli utenti devono fornire il proprio consenso alla conservazione dei dati da immettere online e devono accettare le condizioni generali. La conferma di registrazione, inviata tramite e-mail, e la fattura originale indicante la data di acquisto, costituiscono la prova della garanzia prolungata.
- La garanzia copre tutti i difetti del prodotto durante il periodo di garanzia, risultati da manodopera o materiali alla data di acquisto. La garanzia è limitata alla riparazione e/o sostituzione e non include alcun altro obbligo quali, a mero titolo esemplificativo, i danni incidentali o consequenziali. La garanzia non è valida se il prodotto è stato usato scorrettamente, in modo contrario al manuale di istruzioni o se è stato collegato in modo errato. La garanzia non è valida per:
 - qualsiasi danno al prodotto dovuto a manutenzione errata;
 - qualsiasi prodotto che sia stato alterato o modificato;
 - qualsiasi prodotto le cui marcate di identificazione originali (marchi di fabbrica, numero di serie) siano state cancellate, alterate o rimosse;
 - qualsiasi danno causato dalla non osservanza delle istruzioni del manuale;
 - qualsiasi prodotto privo di omologazione CE;
 - qualsiasi prodotto che sia stato sottoposto a un tentativo di riparazione da parte di un professionista non qualificato oppure senza la previa autorizzazione di Techtronic Industries;
 - qualsiasi prodotto collegato a un'alimentazione errata (per ampere, tensione, frequenza);
 - qualsiasi danno causato da influenze esterne (chimiche, fisiche, urti) o sostanze estranee;
 - la normale usura delle parti di ricambio;
 - uso inappropriato, sovraccarico dell'utensile;
 - uso di accessori o parti non omologate;
 - accessori per utensili elettrici forniti con l'utensile o acquistati separatamente. Questa esclusione comprende, a mero titolo esemplificativo, punte per cacciaviti, punte per trapani, dischi abrasivi, carta vetrata, lame e guide laterali;
 - componenti (parti e accessori) soggetti alla normale usura compresi, a mero titolo esemplificativo, kit di servizio e manutenzione, spazzole al carbonio, cuscinetti, mandrini, attacchi per punte a vite autopoterforante, cavi di alimentazione, maniglie ausiliarie, custodie di trasporto, piastre di levigatura, sacchetti per la polvere, tubi di scarico della polvere, rondelle di feltro, perni e molle per avvitatori ecc.
- Per la manutenzione il prodotto dev'essere spedito o portato presso uno dei centri assistenza autorizzati RYOBI elencati per ogni paese nel seguente elenco di indirizzi dei centri. In alcuni paesi il rivenditore locale RYOBI si incarica di inviare il prodotto all'organizzazione di assistenza RYOBI. Quando si invia un prodotto a un centro assistenza RYOBI, imballarlo in modo sicuro senza contenuti pericolosi come la benzina, apporre l'indirizzo del mittente e accompagnarlo da una breve descrizione del guasto.
- La riparazione/sostituzione ai sensi della presente garanzia è gratuita. Non costituisce un prolungamento o un nuovo inizio del periodo di garanzia. Le parti o gli utensili scambiati diventano di nostra proprietà. In alcuni paesi i costi di consegna o di spedizione postale devono essere pagati dal mittente. I diritti di legge derivanti dall'acquisto dell'utensile rimangono inalterati.
- La presente garanzia è valida in Unione Europea, Svizzera, Islanda, Norvegia, Liechtenstein, Turchia e Russia. Al di fuori di tali aree contattare il rivenditore autorizzato RYOBI per sapere se è valida un'altra garanzia.

CENTRO SERVIZI AUTORIZZATO

Per individuare il più vicino centro servizi autorizzato, visitare il sito <http://it.ryobitools.eu/header/service-and-support/service-agents>.

NL RYOBI® GARANTIEVOORWAARDEN

Naast de wettelijke rechten die voortvloeien uit de aankoop, wordt dit product gedekt door een garantie, zoals hieronder staat vermeld.

- De garantietermijn voor consumenten bedraagt 24 maanden en gaat in op de datum waarop het product is gekocht. Deze datum moet worden gedocumenteerd met een factuur of een ander aankoopbewijs. Het product is uitsluitend ontworpen en bedoeld voor persoonlijk gebruik door consumenten. Er wordt dus geen garantie gegeven voor professioneel of commercieel gebruik.
- Voor een deel van ons aanbod van elektrische gereedschappen (AC/DC) is het mogelijk om de garantietermijn te verlengen over de boven beschreven termijn, met behulp van de website www.ryobitools.eu. De gereedschappen die in aanmerking komen voor de verlenging van de garantietermijn wordt duidelijk weergegeven in winkels en/of verpakkingen en staat beschreven in de productdocumentatie. De eindgebruiker moet zijn/haar nieuw gekochte gereedschappen binnen 30 dagen na aankoop online registreren. De eindgebruiker kan zich registreren voor de verlengde garantietermijn als zijn woonland staat vermeld op het online registratieformulier waar deze optie geldt is. Bovendien moeten eindgebruikers toestemming geven voor de opslag van de gegevens die online ingevuld moeten worden en moeten ze de algemene voorwaarden accepteren. Het ontvangstbewijs van de registratie, dat per e-mail wordt verzonden en de oorspronkelijke factuur met de aankoopdatum vormt het bewijs van de verlengde garantietermijn.
- De garantie dekt tijdens de garantietermijn alle gebreken van het product vanwege defecten in vakmanschap of materiaal op de aankoopdatum. De garantie is beperkt tot reparatie en/of vervanging en bevat geen andere verplichtingen, waaronder maar niet beperkt tot incidentele of gevolgschade. De garantie is niet geldig als het product is misbruikt, in strijd met de gebruiksaanwijzing wordt gebruikt of onjuist is aangesloten. Deze garantie geldt niet voor:
 - alle schade aan het product die het gevolg is van onjuist onderhoud
 - elk product dat is veranderd of aangepast
 - elk product waar de oorspronkelijke identificatie (handelsmerk, serienummer) is beschadigd, gewijzigd of verwijderd
 - alle schade die is veroorzaakt door het niet opvolgen van de gebruiksaanwijzing
 - elk niet-CE-product
 - elk product waar een poging tot reparatie is gedaan door een niet-erkende professional of zonder voorafgaande toestemming door Techtronic Industries.
 - elk product dat is verbonden met een verkeerde voeding (amperage, spanning, frequentie)
 - alle schade die is veroorzaakt door externe invloeden (chemisch, fysisch, schokken) of vreemde stoffen
 - normale slijtage van reserveonderdelen
 - ongepast gebruik, overbelasting van het gereedschap
 - gebruik van niet-goedgekeurde accessoires of onderdelen
 - gereedschapsaccessoires die bij het gereedschap worden geleverd of afzonderlijk zijn aangeschaft. Zulke uitzonderingen bevatten, maar niet beperkt tot schroevendraaierbits, boorbits, slijpschijven, schuurpapier en zagen, laterale geleiding
 - Componenten (onderdelen en accessoires) die onderhevig zijn aan natuurlijke slijtage, waaronder maar niet beperkt tot service-onderhoudsets, koolstofborstels, lagers, boorkoppen, SDS boorbitbevestigingen of ontvangers, stroomsoeren, hulpprepen, transporttassen, schuurplateaus, stofzakken, stofafvoerbuizen, vilttringen, pennen en veren van slagmoersleutels, etc.
- Voor onderhoud moet het product worden verzonden of gebracht naar een erkend servicecenter van RYOBI die voor elk land staan vermeld in de volgende lijst met adressen voor servicecentra. In sommige landen zal uw lokale RYOBI-dealer het product verzenden naar de RYOBI-serviceorganisatie. Wanneer u het product naar een servicecenter van RYOBI verzendt, moet het product veilig worden verpakt zonder enige gevaarlijke inhoud, zoals benzine, met het adres van de afzender en vergezeld van een korte beschrijving van het defect.
- Een reparatie/vervanging die onder deze garantie valt is gratis. Het vormt geen verlenging of een nieuwe start van de garantietermijn. Verwisselde onderdelen of gereedschappen worden ons eigendom. In sommige landen moeten de verzendkosten door de afzender worden betaald. Uw wettelijke rechten die voortvloeien uit de aankoop van het gereedschap blijven onaangetaast.
- Deze garantie is geldig in de Europese Gemeenschap, Zwitserland, Usland, Noorwegen, Liechtenstein, Turkije en Rusland. Buiten deze gebieden moet u contact opnemen met uw erkende RYOBI-dealer om vast te stellen of er een andere garantie van toepassing is.

GEAUTORISEERD ONDERHOUDSCENTRUM

Om een geautoriseerd onderhoudscentrum in uw buurt te vinden, surf u naar <http://nl.ryobitools.eu/header/service-and-support/service-agents>.

PT CONDIÇÕES DE APLICAÇÃO DA GARANTIA RYOBI®

Para além de quaisquer direitos previstos por lei resultantes da compra, este produto está coberto por uma garantia conforme descrição abaixo.

- O período da garantia é de 24 meses para consumidores particulares e inicia-se na data de compra do produto. Esta data tem de ser documentada por uma factura ou por outra prova de compra. O produto foi concebido para e destina-se apenas a consumidores particulares e uso privado. Assim, não é dada garantia em caso de utilização por profissionais ou uso comercial.
- Para uma parte da gama de ferramentas eléctricas (AC/DC) existe a possibilidade de prolongamento do período da garantia para além do período descrito acima, mediante registo no Web site www.ryobitools.eu. A elegibilidade das ferramentas para prolongamento do período da garantia é claramente visível nas lojas e/ou nas embalagens e está contida na documentação do produto. O utilizador final tem de fazer o registo online das suas ferramentas recém-adquiridas no prazo de 30 dias após a data de compra. O utilizador final pode fazer o registo para prolongamento da garantia no seu país de residência, desde que esteja listado no formulário de registo online e para os casos em que esta opção seja válida. Para além disso, os utilizadores finais têm de autorizar o armazenamento dos dados cujo preenchimento lhes for solicitado online e têm de aceitar os termos e as condições. O recibo de confirmação do registo é enviado por e-mail e, em conjunto com a factura original ostentando a data de compra, servirá de prova do prolongamento da garantia.
- A garantia cobre todos os defeitos do produto durante o período da garantia devidos a defeitos de fabrico ou de material à data da compra. A garantia está limitada à reparação e/ou substituição e não inclui quaisquer outras obrigações, incluindo mas não se limitando a, perdas complementares ou indirectas. A garantia não é válida se o produto tiver sido utilizado incorrectamente, utilizado de forma contrária ao Manual de Instruções ou se as respectivas ligações tiverem sido feitas incorrectamente. Esta garantia não se aplica ao seguinte:
 - quaisquer danos ao produto que sejam resultado de manutenção incorrecta
 - qualquer produto que tenha sido alterado ou modificado
 - qualquer produto cujas marcações de identificação de origem (marca comercial, número de série) tiverem sido apagadas, alteradas ou retiradas
 - quaisquer danos causados pelo incumprimento do Manual de Instruções
 - qualquer produto que não seja da Comunidade Europeia
 - qualquer produto ao qual tenha sido feita, ou tentada fazer, uma reparação por outra pessoa que não um profissional habilitado ou sem autorização prévia da Techtronic Industries.
 - qualquer produto ligado a uma fonte de alimentação eléctrica incorrecta (Amperes, Voltagem e Frequência)
 - qualquer dano causado por influências externas (químicas, físicas, impactos) ou substâncias estranhas
 - desgaste e degradação normal de sobresselentes
 - utilização incorrecta, sobrecarga da ferramenta
 - utilização de acessórios ou peças não aprovados
 - acessórios para ferramentas eléctricas fornecidos com a ferramenta ou comprados em separado. Estas exclusões incluem mas não se limitam a, pontas de aparafusadora, brocas, discos abrasivos, papel de lixa e lâminas, guia lateral
 - Componentes (peças e acessórios) sujeitos a desgaste e degradação natural, incluindo mas não se limitando a, Kits de Assistência e Manutenção, escovas de carvão, roletamentos, bucha, acessórios ou recepções de brocas SDS, cabos eléctricos, pegas auxiliares, estojos de transporte, placas de lixagem, sacos de poeiras, tubos de saída de poeiras, anilhas de feltro, pinos e molas da aparafusadora de impacto, etc.
- Para assistência, o produto tem de ser enviado para, ou apresentado em, um posto de assistência autorizado RYOBI, conforme listado para cada país na lista de moradas de postos de assistência seguinte. Nalguns países, o seu concessionário RYOBI local encarrega-se de enviar o produto para a organização de assistência RYOBI. Quando enviar um produto para um posto de assistência RYOBI, o produto deve ser embalado de forma segura, sem conter nenhuns conteúdos perigosos (por exemplo, gasolina), marcado com o endereço do remetente e acompanhado por uma breve descrição da avaria.
- Uma reparação/substituição ao abrigo desta garantia é gratuita. Não constitui um prolongamento a, nem um novo início de, o período da garantia. As peças ou ferramentas substituídas tornam-se propriedade nossa. Nalguns países, o remetente terá de pagar os custos de entrega ou a remessa postal. Os seus direitos previstos por lei resultantes da compra da ferramenta mantêm-se inalterados
- Esta garantia é válida na Comunidade Europeia, Suíça, Islândia, Noruega, Liechtenstein, Turquia e Rússia. Fora destas áreas, entre em contacto com o seu concessionário autorizado RYOBI para determinar se existe outra garantia aplicável.

CENTRO DE ASSISTÊNCIA AUTORIZADO

Para encontrar um centro de assistência autorizado próximo de si, visite <http://pt.ryobitools.eu/header/service-and-support/service-agents>.

DA RYOBI® BETINGELSER FOR GARANTI

Udover lovbestemte rettigheder, som resulterer af købet, er dette produkt dækket af en garanti, som anført herunder.

- Garantiperioden er 24 måneder for forbrugere og begynder på den dato, som produktet blev købt. Denne dato skal dokumenteres af en faktura eller andet bevis for køb. Produktet er udelukkende designet og dedikeret til forbrugere og privat brug. Så der ydes ingen garanti i tilfælde af professionel eller kommerciel brug.
- Der er en mulighed for at forlænge garantiperioden for en del af udvalget af elværktøj (AC/DC), hen over den ovenfor beskrivne periode vha. registrering på hjemmesiden www.ryobitools.eu. Bortsettelse af værktøjet til forlængelse af garantiperioden er tydeligt vist i butikker og/eller på emballage/og indeholdt i produktokumentationen. Slutbrugeren skal registrere hans/hendes nyligt indkøbte værktøj online indenfor 30 dage efter købsdatoen. Slutbrugeren kan registrere sig for den forlængede garanti i sit land, hvis han/hun er opført på den online registreringsformular, hvor denne mulighed er gyldig. Derudover skal slutbrugere give deres samtykke til at opbevare data, som er påkrævet at indtaste online, og de er nødt til at acceptere vilkår og betingelser. Registreringsbekræftelseskvitteringen, som sendes ud på e-mail, og den originale faktura, som viser købsdatoen, vil fungere som bevis for den forlængede garanti.
- Garantien dækker alle defekter, som et produkt måtte have i løbet af garantiperioden, og som skyldes produktionsfejl eller materialefejl på købsdatoen. Garantien er begrænset til reparation og/eller udfiskning og inkluderer ikke andre forpligtelser, inklusiv men ikke begrænset til tilfældige skader eller følgeskader. Garantien er ugyldig, hvis produktet er blevet misbrugt, brugt uden at overholde vejledningen, eller det er blevet forkert tilsuttet. Denne garanti gælder ikke:
 - Beskadigelse af produktet, som er et resultat af uegnet vedligeholdelse
 - Et produkt der er blevet ændret eller modificeret
 - Et produkt hvor de originale identifikationsmærkninger (varemærke, serienummer) er blevet ødelagt, ændret eller fjernet.
 - Enhver beskadigelse forårsaget af manglende overholdelse af vejledningen
 - Ethvert ikke CE-produkt
 - Ethvert produkt som er blevet forsøgt repareret af en ukvalificeret professionel eller uden tidligere autorisation af Techtronic Industries.
 - Ethvert produkt som er tilsuttet uegnet strømforsyning (ampere, spænding, frekvens)
 - Enhver skade forårsaget af ekstern påvirkning (kemisk, fysisk, chok) eller fremmedelementer
 - Normal slid på reservedele
 - Uegnet brug, overbelastning af værktøjet
 - Brug af ikke-godkendt tilbehør eller dele
 - Elværktøjstilbehør som leveres med værktøjet eller købes separat. Sådanne undtagelser inkluderer men er ikke begrænset til skruetrækkerbits, bor, bits, slibeværk, sandpapir og klinger, sidestyrt
 - Komponenter (dele og tilbehør) som er udsat for naturligt slid og ælde, inklusiv men ikke begrænset til Service- og vedligeholdelsessæt, kulbrøster, lejer, bøsninger, påsætning eller modtagelse af SDS-bor, El ledning, hjælpehåndtag, transporttaske, sandplade, støvpose, støvudstødningslange, filterkiver, nåle og fjedre slagngøle etc.
- For eftersyn skal produktet sendes til eller præsenteres for en RYOBI-autoriseret service værksted, som er oplyst for hvert land i den følgende liste over service værksted adresser. I nogle lande påtager din lokale RYOBI-forhandler sig ansvaret for at sende produktet til RYOBI-serviceorganisationen. Når et produkt sendes til en RYOBI-service værksted, skal det pakkes sikkert ind uden noget farligt indhold som benzin, mærkes med afsenderens adresse og med en kort beskrivelse af fejlen.
- En reparation/erstatning under denne garanti er gratis. Den udgør ikke en forlængelse eller en ny start på garantiperioden. Udvekslede dele eller værktøjer bliver vores ejendom. I nogle lande skal leveringsafgifter eller porto betales af afsenderen. Dine lovbestemte rettigheder i forbindelse med købet forbliver uanfægtede
- Denne garanti gælder i EU, Schweiz, Island, Norge, Liechtenstein, Tyrkiet og Rusland. Udenfor disse områder bedes du kontakte din autoriserede RYOBI-forhandler for at afgøre, om en anden garanti gælder.

AUTORISEREDE SERVICE/VERKSTEDER

Find nærmeste autoriserede serviceværksted på <http://dk.ryobitools.eu/header/service-and-support/service-agents>.

SV RYOBI® ANVÄNDNINGSVILLKOR FÖR GARANTI

Förutom eventuella lagstadgade rättigheter som uppstår genom köpet, täcks den här produkten av en garanti som anges nedan.

- Garantiperioden är 24 månader för konsumenter och börjar gälla från det datum då produkten köptes. Detta datum måste dokumenteras på en faktura eller annat köpbevis. Produkten är utformad och avsedd för konsumenter och privat bruk. Därmed tillhandahålls ingen garanti vid yrkesmässigt eller kommersiellt bruk.
- Det finns möjlighet att förlänga garantiperioden för en del av utbudet för elverktyg (AC/DC) under den period som anges ovan genom att använda registreringen på webbplatsen www.ryobitools.eu. De verktyg som är berättigade till en förlängning av garantiperioden visas tydligt i butiker och/eller på förpackningen/och anges i produktdokumentationen. Slut användaren behöver registrera hans/hennes nyförvävade verktyg online inom 30 dagar från köpdatumet. Slut användaren kan registrera sig för den förlängda garantin i det land där han/hon bor om landet finns angivet i registreringsformuläret online och där detta alternativ är giltigt. Dessutom måste slut användaren ge sitt medgivande till lagring av data vilket krävs vid registrering online samt acceptera villkoren. Bekräftelsekvittot för registreringen som skickas ut via e-post och originalfakturan som visas köpdatumet kommer att gälla som bevis för den förlängda garantin.
- Garanti täcker alla produktdefekter under garantiperioden som beror på brister i utförande eller material vid köpdatumet. Garantin är begränsad gällande reparation och/eller utbyte och inkluderar inte några skyldigheter inklusive men inte begränsat till oförutsedda skador eller följskador. Garantin är inte giltig om produkten har missbrukats, använts i strid med bruksanvisningen eller inte anslutits på rätt sätt. Denna garanti täcker inte:
 - eventuella skador på produkten som uppstått till följd av felaktigt underhåll
 - produkter som har ändrats eller modifierats
 - produkter där ursprungliga identifieringsmärkningar (varumärke, serienummer) har målats över, ändrats eller tagits bort
 - eventuella skador som uppstått till följd av att bruksanvisningen inte efterföljts
 - alla icke CE-produkter
 - eventuella produkter som har försökts repareras av en icke-kvalificerad yrkesman eller utan föregående medgivande från Technronic Industries.
 - eventuella produkter som anslutits till felaktig strömförsörjning (ampere, volt, frekvens)
 - eventuella skador som uppstått till följd av yttre påverkan (kemisk, fysisk, stötar) eller främmande ämnen
 - normalt slitage av reservdelar
 - olämplig användning, överbelastning av verktyget
 - användningen av icke-godkända tillbehör eller delar
 - tillbehör till elverktyg som medföljde verktyget eller köpts separat. Sådana undantag inkluderar men är inte begränsat till skruvmejselbits, borrbits, slipskivor, sandpapper, blad och sidoskena
 - Komponenter (delar och tillbehör) är föremål för naturligt slitage, inklusive men inte begränsat till service- och underhållsatsar, kolborstar, kullager, chuck, tillbehör eller tillhörande SDS-borrbitt, strömsladd, hjälphandtag, transportväska, slipplatta, dammpåse, dammtullblåsar, filterbrickor, stift och fjädrar till mutterdragare osv.
- Vid service måste produkten skickas eller uppvisas för en RYOBI- auktoriserad servicestation som står angiven för varje land i följande adresslista över servicestationer. I vissa länder tar din lokala RYOBI- återförsäljare på sig ansvaret att skicka produkten till RYOBI- serviceorganisationen. När en produkt skickas till en RYOBI- servicestation, ska produkten paketeras säkert utan något farligt innehåll såsom bensin, markeras med avsändarens adress samt en kort beskrivning av felet.
- En reparation/ett utbyte under denna garanti är kostnadsfri. Det utgör inte en förlängning eller förnyelse av garantiperioden. Utbyta delar eller verktyg blir vår egendom. I vissa länder måste leveranskostnader eller porto betalas av avsändaren. Dina lagstadgade rättigheter som härrör från köpet av verktyget förblir opåverkade
- Denna garanti är giltig i Europeiska gemenskapen: Schweiz, Island, Norge, Liechtenstein, Turkiet och Ryssland. Utanför dessa länder, kontakta din auktoriserade RYOBI-återförsäljare för att avgöra om en annan garanti gäller.

AUKTORISERAT SERVICECENTER

Du hittar närmaste auktoriserade servicecenter genom att gå till <http://se.ryobitools.eu/header/service-and-support/service-agents>.

FI RYOBI®-TAKUUN SOVELTAMISEHDOT

Tällä tuotteella on oston luomien lakisäästeiden oikeuksien ohella alla mainitun mukainen takuu.

- Takuun kesto on kuluttajille 24 kuukautta ja takuuaika alkaa tuotteen ostohetkestä. Tämän päivämäärän tulee lukea laskussa tai muussa ostotositteessa. Tuote on suunniteltu ja tarkoitettu vain kuluttajien ja yksityiseen käyttöön. Takuu ei siis kata ammatti- eikä kaupallista käyttöä.
- Joidenkin sähkötyökalujen (AC/DC) takuun kesto on mahdollista laajentaa yllä mainittua kestoä pidemmäksi verkossivuston www.ryobitools.eu rekisteröinnin kautta. Työkalujen kelppisuutta takuujakson laajennukseen näkyy selkeästi myymälöissä ja/tai pakkauksissa ja/ tai tämä tieto sisältyy tuotedokumentaation. Loppukäyttäjän täytyy rekisteröidä vasta hankitut työkalut internetissä 30 päivän kuluessa ostopäivämäärästä. Loppukäyttäjät voi rekisteröidä laajennettun takuun kotimaassaan, jos se on luetteluna online-rekisteröintilomakkeessa, jossa mainitaan, missä tämä vaihtoehto on voimassa. Loppukäyttäjien täytyy lisäksi hyväksyä tietojen tallennus, jotka heidän täytyy antaa online-tilassa sekä ehdot. Rekisteröinnin vahvistuskuitti, joka lähetetään sähköpostitse, ja alkuperäinen ostopäivämäärän ilmaiseva lasku toimivat laajennettun takuun tositteina.
- Takuu kattaa kaikki tuotteeseen takuuaikana tulevat viat, joiden aiheuttajina ovat tuotteessa ostopäivänä olleet valmistus- tai materiaali viat. Takuu on rajoitettu korjaukseen ja/tai vaihtoon eikä se sisällä mitään muuta velvoitetta mukaan lukien satunnais- ja seurannaisvahinkoja, mutta rajoittumatta niihin. Takuu ei päde, jos tuotetta on käylytty väärin, käyttöohjeen vastaisesti tai jos se on liitetty virheellisesti. Tämä takuu ei kata:
 - virheellisestä huollosta johtuvia vaurioita
 - muunnettua tai muutettua tuotetta
 - tuotetta, jonka alkuperäiset tunnistemerkinnät (tavaramerkki, sarjanumero) on turmeltu, muutettu tai poistettu
 - tämän käyttöoppaan laiminlyönnistä johtuvia vaurioita
 - ei-CE-tuotetta
 - tuotetta, jota on yrittänyt korjata epäpätevä ammattilainen tai joka on korjattu ilman Technronic Industriesin emakkoluopaa.
 - tuotetta, joka on liitetty virheelliseen teholähteeseen (ampeirit, jännite, taajuus)
 - ulkoisten vaikutusten (kemiallinen, fyysinen, iskut) tai vieraiden aineiden aiheuttamaa vauriota
 - normaaleja kuluvia vaurioita
 - virheellistä käyttöä, työkalun ylikuormitusta
 - ei-hyväksytyjen tarvikkeiden tai osien käyttöä
 - sähkötyökalun tarvikkeita, jotka on toimitettu työkalun mukana tai ostettu erikseen. Poissuljettuja osia ovat ruuvausterät, poranterät, hiomalaikat, hiekkapaperi ja terät, sivuohjain, näihin kuitenkaan rajoittumatta
 - Luonnollisesti kuluvia komponentteja (osia tai tarvikkeita), joihin sisältyvät huolto- ja kunnossapitoset, hiiliharjat, laakerit, terästäkat, SDS-porien kiinnitin tai istukka, virtajohto, apukahva, kuljetuskotelo, hiomalaikka, pölypussi, pölynpoistoputki, huopatiivisteet, iskunvääntimen pultit ja jouset yms. näihin kuitenkaan rajoittumatta.
- Tuote on lähetettävä huollettavaksi valtuutettuun RYOBI-huoltoon tai näyteltävä siellä. Niiden osoitteet kussakin maassa löytyvät seuraavasta luettelosta. Joissakin maissa paikallinen RYOBI-jälleenmyyjä huolehtii tuotteen lähetyksestä RYOBI-huolto-organisaatioon. Kun tuote lähetetään RYOBI-huoltoon, se täytyy pakata hyvin ilman vaarallisia aineita, kuten polttoainetta, ja pakkaukseen täytyy merkitä lähettäjän nimi sekä vain lyhyt kuvaus.
- Takuun kattama korjaus/vaihto on maksuton. Se ei tarkoita takuuaajan laajennusta tai alkamista alusta. Vaihdetut osat tai työkalut siirtyvät valmistajan omistukseen. Joissakin maissa lähettäjän täytyy maksaa lähetyuskustannukset tai postikulut. Työkalun oston luomat lakisäästeet oikeudet pysyvät koskemattomina
- Tämä takuu on voimassa Euroopan yhteisössä, Sveitsissä, Islannissa, Norjassa, Liechtensteinissä, Turkissa ja Venäjällä. Ota näiden alueiden ulkopuolella yhteyttä omaan valtuutettuun RYOBI-jälleenmyyjään ja selvitä, onko jotain muuta takuuta.

VALTUUTETTU HUOLTO

Voit etsiä lähimmän valtuutetun huollon sivulta <http://fi.ryobitools.eu/header/service-and-support/service-agents>.

NO RYOBI® GARANTIBETINGELSER

I tillegg til eventuelle lovbestemte rettigheter som følger av kjøpet, er dette produktet dekket av en garanti som angitt nedenfor.

1. Garantiperioden er 24 måneder for konsumenter og gjelder fra den datoen som produktet ble kjøpt. Denne datoen skal dokumenteres med en faktura eller annet kjøpsbevis. Produktet er designet og beregnet kun til konsument- og privat bruk. Så det gis ingen garanti ved profesjonell eller kommersiell bruk.
2. For en del av utvalget av elektriske verktøy (AC/DC) er det mulighet til å utvide garantiperioden i den perioden som er beskrevet ovenfor ved bruk av registreringer på nettsidene www.ryobitools.eu. Kvalifisering av verktøyene for en utvidelse av garantiperioden er tydelig vist i butikker og/eller på pakningen / og finnes innen produktdokumentasjonen. Sluttbrukeren må registrere sine nylig anskaffede verktøy online innen 30 dager etter kjøpsdato. Sluttbrukeren kan registrere seg for den utvidede garantien i sitt land hvis det er opplistet på online registreringsskjemaet der dette alternativet er gyldig. Videre må sluttbrukere gi sitt samtykke til oppbevaring av dataene som kreves for å gå online, og de må godta vilkår og betingelser. Registreringsbekreftelsen, som sendes ut på e-post, og den originale fakturaen som viser kjøpsdato, vil tjene som bevis for den utvidede garantien.
3. Garantien dekker alle defekter i produktet under garantiperioden på grunn av defekter i utførelse eller materiale på kjøpsdato. Garantien er begrenset til å reparere og/eller erstatte og inkluderer ikke noen andre forpliktelser, inkludert, men ikke begrenset til, tilfældige eller følgesmessige skader. Garantien er ikke gyldig hvis produktet har blitt misbrukt, brukt på annen måte enn det som beskrives i bruksanvisningen eller er koblet til på feil måte. Denne garantien gjelder ikke for:
 - enhver skade på produktet som er resultat av utlilsketrekkelig vedlikehold
 - ethvert produkt som har blitt endret eller modifisert
 - ethvert produkt der de originale identifiseringsmerkene (varemerke, serienummer) har blitt uleselig, er endret eller fjernet
 - enhver skade som forårsakes av ikke-overholdelse av instruksjonshåndboken
 - ethvert ikke-CE-produkt
 - ethvert produkt som har blitt forsøkt reparert eller av en ikke-kvalifisert fagperson eller uten tidligere autorisasjon fra Techtronic Industries.
 - ethvert produkt tilkoblet feil strømforsyning (ampere, spenning, frekvens)
 - enhver skade som er forårsaket av eksterne påvirkninger (kjemiske, fysiske, støt) og fremmede stoffer
 - normal slitasje og sliteservevedler
 - feil bruk, overbelastning av verktøyet
 - bruk av ikke-godkjent tilbehør eller deler
 - Elektrisk verktøytilbehør levert med verktøyet eller kjøpt separat. Slike ekskluderinger, inkludert, men ikke begrenset til skrutrekkerbits, drillbits, slipedisker, sandpapir og blader, lateral føring
 - Komponenter (deler og tilbehør) som er utsatt for naturlig slitasje, inkludert, men ikke begrenset til service- og vedlikeholdssett, karbonborster, lagre, chuck, SDS-borrbifeste eller -mottak, strømledning, hjelpéhåndtak, transportbæreske, sandingsplate, støvpose, støvutslippsrør, filtpakninger, støtnøkkelpinner og fjær, osv.
4. For service må produktet sendes eller fremlegges for en RYOBI-autorisert servicestasjon opplistet for hvert land i den følgende listen over servicestasjonsadresser. I noen land sender den lokale RYOBI-forhandleren produktet til RYOBI serviceorganisasjonen. Ved å sende et produkt til en RYOBI servicestasjon skal produktet være sikkert pakket uten noe farlig innhold, slik som bensin, merket med senderens adresse og fulgt av en kort beskrivelse av feilen.
5. En reparasjon/erstatning under denne garantien er gratis. Den utgjør ingen forlengelse eller ny start av garantiperioden. Utvekslede deler eller verktøy blir vår eiendom. I noen land vil leveringskostnader eller frankering måtte betales av senderen. Dine lovbestemte rettigheter som oppstår fra kjøp av verktøyet forblir uberørt.
6. Denne garantien er gyldig i EU, Sveits, Island, Norge, Liechtenstein, Tyrkia og Russland. Utenfor disse områdene ta kontakt med din autoriserte RYOBI-forhandler om en annen garanti gjelder.

AUTORISERT SERVICESENTER

For å finne et autorisert servicecenter i nærheten, gå til <http://no.ryobitools.eu/header/service-and-support/service-agents>.

RU УСЛОВИЯ ПРИМЕНЕНИЯ ГАРАНТИИ НА ПРОДУКЦИЮ RYOBI®

Помимо законных прав, возникающих при покупке, данное изделие покрывается гарантией в соответствии с приведенными ниже пунктами.

1. Гарантийный период для покупателя составляет 24 месяца с даты покупки изделия. Дата покупки должна быть подтверждена полностью заполненным гарантийным талоном и чеком о покупке. Данное изделие предназначено только для частного использования покупателем. Поэтому гарантия не распространяется на использование в профессиональных или коммерческих целях.
2. Предусмотрена возможность продления для части изделий линейки электроинструментов (AC/DC) гарантийного периода с помощью регистрации на сайте www.ryobitools.eu. Право инструмента на продление гарантийного периода четко указано в магазинах и / или на упаковке / и содержится в сопутствующей инструменту документации. Конечный пользователь должен зарегистрировать свой приобретенный инструмент в течение 30 дней с даты покупки. Конечный пользователь может зарегистрировать свой инструмент на продление гарантии в стране своего проживания, если она указана в форме онлайн-регистрации. Кроме того, конечный пользователь должен дать свое согласие на хранение данных, которые необходимо ввести в онлайн-форму и принять правила и условия. Подтверждение регистрации, которое вы получите по электронной почте, заполненный гарантийный талон и оригинальный чек, в котором указана дата покупки, будут служить доказательством продленной гарантии.
3. Гарантия покрывает в течение гарантийного периода все дефекты качества или материала изделия на дату покупки. Гарантия ограничена ремонтом и / или заменой и не включает никакие другие обязательства, включая, но не ограничиваясь случайными или косвенными убытками. Гарантия становится недействительной, если изделие использовалось не по назначению, вопреки инструкциям, данным в Руководстве пользователя или было неправильно подключено. Настоящая гарантия не распространяется на:
 - любые повреждения изделия в результате неправильного технического обслуживания или недостаточного ухода за инструментом
 - любые изделия, подвергшиеся изменениям и модификации
 - любые изделия, оригинальные идентификационные отметки которого (торговая марка, серийный номер) были повреждены, изменены или удалены
 - любые повреждения, вызванные несоблюдением инструкций Руководства пользователя
 - любые изделия, не сертифицированные маркировкой "CE" для продажи в Европейском союзе
 - любые изделия, подвергшиеся попыткам ремонта неквалифицированным работником или без предварительного утверждения компанией Techtronic Industries.
 - любые изделия, подключенные к неправильному источнику питания (сила тока, напряжение, частота)
 - любые повреждения, вызванные внешними воздействиями (химические, физические, удары) или посторонними веществами
 - естественный износ запасных деталей
 - несоответствующее использование, перегрузка инструмента
 - использование неутвержденных аксессуаров и неофициальных запасных деталей
 - аксессуары электроинструментов, поставляемые с инструментом или приобретаемые отдельно. К этому списку относятся, но не исчерпывают его: сверла шуруповертов, дрелей, абразивные диски, наждачную бумагу, лезвия и боковые направляющие
 - компоненты (детали и аксессуары), подверженные естественному износу и развалу, включая, но не ограничиваясь наборы для технического обслуживания, угольные щетки, подшипники, патроны, переходники SDS, кабели питания, дополнительные ручки, футляры для транспортировки, шифовальные подошвы, пылесборники, трубки для отвода пыли, войлочные шайбы, штыри и пружины ударных ключей и др.
4. Для проведения технического обслуживания изделие следует направлять в авторизованные сервисные центры RYOBI, указанные для каждой страны в приведенном ниже списке адресов станций сервисного обслуживания. В некоторых странах местные дилеры RYOBI отправляют изделия в сервисные организации RYOBI. При отправке изделия в сервисный центр RYOBI, изделие должно быть безопасно упаковано и не содержать никаких опасных веществ, таких как бензин, должен быть подписан адрес отправителя и сопровождаться кратким описанием неисправности.
5. Ремонт / замена проводится в рамках настоящей гарантии бесплатно. Он не продлевает гарантию и не начинает новый гарантийный период. Заменяемые детали и инструменты становятся нашей собственностью. В некоторых странах отправитель должен оплачивать стоимость отправки. Ваши законные права, возникшие при покупке инструмента, остаются неизменными
6. Данная гарантия действительна в Европейском Сообществе, Швейцарии, Исландии, Норвегии, Лихтенштейне, Турции и России. Вне указанных территорий обращайтесь к своему авторизованному дилеру RYOBI, чтобы узнать, применяются ли условия каких-либо других гарантий.

УПОЛНОМОЧЕННЫЙ СЕРВИСНЫЙ ЦЕНТР

Чтобы найти ближайший уполномоченный сервисный центр, обратитесь к веб-сайту <http://ru.ryobitools.eu/header/service-and-support/service-agents>.

PL WARUNKI GWARANCJI RYOBI®

Oprócz praw ustawowych wynikających z zakupu produkt jest objęty gwarancją, której warunki podano poniżej.

1. Okres gwarancyjny wynosi 24 miesiące dla konsumentów i rozpoczyna się w dniu zakupu produktu. Datę zakupu należy udokumentować fakturą lub innym dowodem zakupu. Produkt został zaprojektowany i jest przeznaczony do użytku konsumenckiego i prywatnego. W związku z tym gwarancja nie obejmuje zastosowań profesjonalnych i komercyjnych.
2. Istnieje możliwość wydłużenia okresu gwarancyjnego dla części asortymentu narzędzi ręcznych z napędem mechanicznym (AC/DC) poprzez zarejestrowanie produktu na stronie internetowej www.ryobitools.eu. Kwalifikowalność narzędzi do wydłużenia okresu gwarancyjnego jest wyraźnie określona w sklepach i/lub na opakowaniu oraz w dokumentacji produktu. Użytkownik końcowy musi zarejestrować nowo kupione narzędzia online w ciągu 30 dni od daty zakupu. Użytkownik końcowy może zarejestrować się w celu przedłużenia gwarancji w swoim kraju zamieszkania, jeżeli jest on wymieniony w formularzu rejestracji online, gdzie opcja ta obowiązuje. Ponadto użytkownicy końcowi muszą wyrazić zgodę na przechowywanie danych, wprowadzanych na stronie internetowej i zaakceptować regulamin. Dowodem wydłużenia gwarancji jest wysłane pocztą elektroniczną potwierdzenie rejestracji i oryginalny faktury potwierdzającej datę zakupu.
3. Gwarancja obejmuje wszystkie wady produktu ujawnione w okresie gwarancyjnym wynikające usterek wykonania lub materiału obecnego w dniu zakupu. Gwarancja jest ograniczona do naprawy i/lub wymiany i nie obejmuje żadnych innych zobowiązań, w tym między innymi odpowiedzialności za szkody przypadkowe lub wtórne. Gwarancja nie obowiązuje, jeżeli produkt był nieprawidłowo używany, używany niezgodnie z instrukcją lub nie był prawidłowo podłączony. Gwarancja nie obejmuje:
 - uszkodzenia produktu wynikającego z nieprawidłowej konserwacji,
 - produktu, który został zmieniony lub zmodyfikowany,
 - produktu, którego oryginalne oznaczenie (znak towarowy, numer seryjny) zostało zniszczone, zmienione lub usunięte,
 - jakiegokolwiek uszkodzeń wynikających z nieprzebrzeżenia instrukcji,
 - jakiegokolwiek produktu bez certyfikatu CE,
 - jakiegokolwiek produktu, który próbowano naprawiać z pomocą niewykwalifikowanej osoby lub bez uzyskania wcześniejszej zgody firmy Techtronic Industries.
 - jakiegokolwiek produktu podłączonego nie prawidłowego źródła zasilania (nieprawidłowe napięcie prądu, napięcie, częstotliwość),
 - jakiegokolwiek uszkodzeń spowodowanych wpływem czynników zewnętrznych (chemicznych, fizycznych, drgań) lub substancji obcych,
 - normalnego zużycia części zamiennych,
 - nieprawidłowego użycia, przeciążenia narzędzia,
 - stosowania niezatwierdzonych akcesoriów lub części,
 - akcesoriów narzędzi ręcznych z napędem mechanicznym dostarczonych z narzędziem lub kupionych oddzielnie. Takie wykluczenia obejmują, między innymi, wymienne ostrza wkrętaka, wiertła, tarcze cierne, papier ścierny i ostrza, prowadnice boczna.
 - elementów (części i akcesoriów) podlegających naturalnemu zużyciu obejmujących, między innymi, zestawy do konserwacji i serwisu, szczotki węglowe, łożyska, uchwyty, przystawki wiertła SDS, gniazdo, przewód zasilania, uchwyty pomocnicze, skrzynię transportową, płytę szlifierską, worek pyłowy, rurę odprowadzania pyłu, podkładki filcowe, kolki i sprężyny klucza udarowego itp.
4. W celu serwisowania produkt należy wysłać lub okazać w autoryzowanym punkcie serwisowym RYOBI znajdującym się na przedstawionym poniżej wykazie punktów serwisowych w poszczególnych krajach. W niektórych krajach lokalny dystrybutor produktów RYOBI podejmuje się wysyłki produktu do centrum serwisowego RYOBI. W przypadku wysyłki do punktu serwisowego RYOBI produkt — pozbawiony jakiegokolwiek niebezpiecznych substancji, na przykład benzyny — należy bezpiecznie zapakować i dołączyć adres nadawcy oraz krótki opis usterek.
5. Naprawa/wymiana w ramach niniejszej gwarancji jest bezpłatna. Nie stanowi jednak o przedłużeniu lub rozpoczęciu od nowa biegu okresu gwarancyjnego. Wymienione części lub narzędzia stają się naszą własnością. W przypadku niektórych krajów nadawca będzie musiał uregulować koszty dostawy lub opłaty pocztowe. Prawa ustawowe wynikające z zakupu narzędzia pozostają niezmienione.
6. Niniejsza gwarancja obowiązuje w Unii Europejskiej, Szwajcarii, Islandii, Norwegii, Liechtensteinie, Turcji i Rosji. Poza tymi obszarami należy skontaktować się z autoryzowanym dostawcą produktów RYOBI i ustalić, czy obowiązuje inna gwarancja.

AUTORYZOWANY PUNKT SERWISOWY

Najbliższy autoryzowany punkt serwisowy można wyszukać w witrynie internetowej <http://pl.ryobitools.eu/header/service-and-support/service-agents>.

CS ZÁRUČNÍ PODMÍNKY RYOBI®

Kromě zákonných práv vyplývajících z koupě výrobku se na tento výrobek vztahuje také níže uvedeně záruka.

1. Záruční doba pro spotřebitele je 24 měsíců a začíná datem nákupu výrobku. Datum musí být zaznamenáno na fakturě nebo jiném dokladu o koupi. Tento výrobek je navržen a určen pouze pro soukromé účely spotřebitelů. Záruka se tedy nevztahuje na profesionální nebo komerční využití výrobku.
2. U některých elektrických nástrojů (AC/DC) je možné záruční dobu prodloužit. K tomu je nutná registrace na stránkách www.ryobitools.eu. Možnost prodloužení záruční doby výrobků je jasně uvedena v prodejních, popř. na obalech nebo v dokumentech o výrobku. Koncový uživatel musí svůj nový nástroj zaregistrovat online do 30 dnů od data nákupu. Koncový uživatel se může k prodloužení záruční doby zaregistrovat v zemi trvalého pobytu, pokud je tato uvedena na internetovém registračním formuláři u výrobku, kde je tato možnost dostupná. Koncoví uživatelé musí dále souhlasit s uložením osobních údajů, která musí zadat na internetu, a přijmout obchodní podmínky. E-mail s původní registrací a původní faktura s datem koupě poslouží jako důkaz o prodloužení záruce.
3. Záruka se vztahuje na veškeré vady na výrobek v rámci záruční doby způsobené výrobními vadami nebo vadami materiálu v době koupě. Záruka je omezena na opravu, popřípadě výměnu a nezahrnuje žádné další povinnosti, včetně mimo jiné vedlejších či následných odškodnění. Záruka neplatí při použití výrobku k nevhodným účelům, v rozporu s uživatelskou příručkou nebo při nesprávném zapojení. Záruka se nevztahuje na:
 - veškeré škody na výrobku způsobené nesprávnou údržbou
 - veškeré produkty, které byly pozměněny nebo upraveny
 - veškeré produkty, kde byly původní identifikační prvky (obchodní značka, sériové číslo) poničeny, pozměněny nebo odstraněny
 - veškeré škody způsobené nedodržením pokynů uživatelské příručky
 - veškeré produkty bez CE certifikace
 - veškeré produkty, které se pokusil opravit nekvalifikovaný odborník nebo opravy bez předchozího svolení společnosti Techtronic Industries.
 - veškeré produkty zapojené do nesprávného elektrického zdroje (proud, napětí, frekvence)
 - veškeré škody způsobené externími vlivy (chemickými, fyzickými, nárazy) nebo cizími látkami
 - běžné opotřebování dílů
 - nevhodné použití, přetěžování nástroje
 - použití neschválených příslušenství nebo dílů
 - příslušenství k elektrickému nástroji poskytnuté s nástrojem nebo zakoupené samostatně. Tyto výjimky se vztahují mimo jiné na šroubovací bity, vrátky, brusné disky, brusný papír a čepele, postranní vodič lišty
 - komponenty (díly a příslušenství) podléhající přirozenému opotřebování, včetně mimo jiné servisních sad, karbonových kartáčů, ložisek, sklíčidla, SDS nástavce na vrtací bity, napájecího kabelu, pomocné rukojeti, přepravního pouzdra, brusné desky, prachového vaku, výfukové prachové trubice, plstěných podložek, západek a pružin rážového utahávkou atd.
4. K provedení servisu musí být výrobek zaslán nebo předán do autorizovaného servisního centra společnosti RYOBI, jejichž adresy jsou uvedeny podle zemi v seznamu servisních center. V některých zemích za vás výrobek pošle servisní organizaci RYOBI sám prodejce výrobků této značky. Při zasílání výrobku do servisního centra RYOBI je potřeba výrobek bezpečně zabalit bez nebezpečného obsahu jako benzín, opatřit adresou odesílatele a přiložit krátký popis závady.
5. Oprava, popř. výměna v rámci této záruky je zdarma. Neznamená to prodloužení nebo začátek nové záruční lhůty. Vyměněné díly nebo nástroje přejdou do našeho vlastnictví. V některých zemích platí poštovné odesílatele. Vaše zákonná práva vyplývající z koupě tohoto nástroje zůstávají nedotčena.
6. Tato záruka platí v Evropském Společenství, Švýcarsku, Norsku, Lichtenštejnsku, Turecku, Rusku a na Islandu. Mimo tuto území kontaktujte autorizovaného prodejce značky RYOBI, který zjistí, zda se na výrobek vztahuje jiná záruka.

POVĚŘENÉ SERVISNÍ STŘEDISKO

Pro nalezení nejbližšího pověřeného servisního střediska navštivte <http://cz.ryobitools.eu/header/service-and-support/service-agents>.

HU A RYOBI® GARANCIA ALKALMAZÁSÁNAK FELTÉTELEI

A vásárlásból adódó törvényben rögzített jogok mellett a termékre az alábbi garancia vonatkozik.

1. A fogyasztói garancia tartama 24 hónap, mely a termék vásárlásának napjával kezdődik. Ezt a dátumot számlával vagy a vásárlást igazoló egyéb dokumentummal kell bizonyítani. A termék rendeltetése csak fogyasztói és magáncélú használat. Ezért professzionális vagy kereskedelmi használat esetén a garancia nem érvényes.
2. A szerszámgépek (egyenáramú/váltóáramú) egy részénél a garancia időtartama a www.ryobitools.eu weblapon regisztrálva meghosszabbítható. Az áruházakban, a csomagolásban, illetve a termék dokumentációjában egyértelműen jelezzük, hogy az adott termék garanciája meghosszabbítható-e. A végfelhasználónak a vásárlás dátumától számított 30 napon belül regisztrálnia kell az újonnan vásárolt szerszámot. A végfelhasználó akkor regisztrálhatja a kiterjesztett garanciára, ha az ország, ahol lakik, fel van sorolva az online regisztrációs űrlapon azon országok között, ahol választható ez az opció. Ezenkívül a végfelhasználónak bele kell egyeznie az online regisztrálás során szükséges adatok tárolásába, és el kell fogadnia a felhasználási feltételeket. A kiterjesztett garanciát a regisztráció beérkezésétől e-mailben küldött visszaigazolás és a vásárlás dátumát tartalmazó eredeti számla igazolja.
3. A garancia a termék vásárlásakor fennálló, a gyártás során keletkezett hibákra és anyaghibákra érvényes a garanciális időtartamon belül. A garancia csak a javításra/cserére korlátozódik, és nem terjed ki semmilyen egyéb kötelezettségre, nem kizárólagosan ideértve a véletlen vagy szándékos rongálást. A garancia nem érvényes, ha a terméket nem megfelelően, a használati utasításban foglaltakkal ellentétben, illetve nem megfelelően csatlakoztatva használták. A garancia nem vonatkozik:
 - a terméket a nem megfelelő karbantartás következtében ért károsodásra
 - megváltoztatott vagy átalakított termékre
 - olyan termékre, melyen az eredeti azonosítókat (védjegy, sorozatszám) megromlalták, megváltoztatták vagy eltávolították
 - a használati utasítás be nem tartásából eredő kárra
 - CE jelöléssel nem rendelkező termékekre
 - olyan termékre, melyet nem képzett, illetve a Techtronic Industries által nem fejlesztett szerelvény javított
 - nem megfelelő (áramerősségű, feszültségű, frekvenciájú) áramforrásra csatlakoztatott termékre
 - külső (vegyi, fizikai, ütés) hatásokból vagy idegen anyagokból eredő károkkra
 - a cserélhető alkatrészek természetes kopására és elhasználódására
 - a szerszám helytelen használatára, túlterhelésére
 - nem jóváhagyott tartozékok és alkatrészek használatára
 - A szerszámmal adott vagy külön megvásárolt tartozékokra. Ilyenek például (de nem kizárólag) a csavarhűzőfejek, fúrószárak, csiszolókorongok, csiszolópapír, kések, oldallirányú terelők.
 - A természetes kopásnak, elhasználódásnak kitett alkatrészek és kiegészítők, például (de nem kizárólag) szerviz- és karbantartókészletek, szénkéfek, csapagyak, tokmány, SDS fúrószár csatlakozója, tápkábel, segédfogantyú, szállítók, csiszolólap, porzsák, porelvezető cső, filcaltátek, ütműves csavarbehajtó gép csapszege és rugója stb.
4. A terméket javításra el kell vinni egy meghatalmazott RYOBI szervizbe; ezeket az egyes országokhoz a következő listában találja. Egyes országokban a helyi RYOBI kereskedő vállalja a termék kiszállítását a RYOBI szervizbe. A terméket veszélyes tartalom, például benzín nélkül csomagolja, a feladó címét feltüntetve, a hiba rövid leírásával együtt küldje el a RYOBI szervizbe.
5. A jelen garancia hatálya alatt végzett javítás, illetve csere ingyenes. Nem jelenti a garanciális időtartam újraindulását. A kicserélt alkatrészek és szerszámok a mi tulajdonunkba kerülnek. Egyes országokban a szállítás vagy postázás költségét a feladó viseli. A vevőnek a szerszám megvásárlásából adódó törvényes jogai nem változnak.
6. Jelen garancia az Európai Közösségben, Svájcban, Izlandon, Norvégiában, Liechtensteinben, Törökországban és Oroszországban érvényes. E területeken kívül kérdezze meg a RYOBI forgalmazót, hogy milyen garancia van érvényben.

HIVATALOS SZERVIZKÖZPONT

A legközelebbi hivatalos szervizközpont megtalálásához látogasson el a <http://hu.ryobitools.eu/header/service-and-support/service-agents>.

RO CONDIȚII DE APLICARE A GARANȚIEI PENTRU PRODUSELE RYOBI®

În plus față de condițiile statutare rezultate din achiziționarea acestui produs, acesta este acoperit de garanția stipulată mai jos.

1. Perioada de garanție este de 24 de luni pentru consumatori și începe de la data achiziționării produsului. Data de începere a garanției trebuie demonstrată cu o factură sau altă dovadă a cumpărării produsului. Produsul este destinat și conceput doar pentru utilizare în scopuri personale. Din acest motiv, nu se oferă garanție pentru utilizarea sa în scop profesional sau comercial.
2. Există posibilitatea de a extinde a perioadei de garanție pentru gama de unelte electrice (de CA/CC) peste perioada stipulată mai sus prin înscrierea produsului pe [website-ul www.ryobitools.eu](http://www.ryobitools.eu). Eligibilitatea pentru perioada de extindere a garanției este afișată în mod clar în magazinele de vânzare și/sau pe ambalaj sau este inclusă în documentația livrată împreună cu produsul. Utilizatorul final este obligat să-și înregistreze produsul online în termen de maxim 30 de zile de la data achiziției acestuia. Utilizatorul final poate înregistra produsul pentru garanția extinsă oferită în țara sa de rezidență dacă aceasta este listată în formularul de înregistrare online și dacă această opțiune este validă. În plus, utilizatorul final trebuie să-și dea acordul pentru stocarea datelor personale solicitate la înregistrarea online și trebuie să accepte termenii și condițiile. Mesajul de confirmare a înregistrării, trimis prin e-mail și factura originală cu data achiziției vor dovedi perioada de garanție extinsă.
3. Garanția acoperă toate defecțiunile produsului survenite în perioada de garanție datorate defectelor de execuție sau materialelor folosite, începând cu data achiziției acestuia. Garanția este limitată la reparare și/sau înlocuire și nu include alte obligații, inclusiv, dar fără a se limita la daune accidentale sau rezultate pe cale de consecință. Garanția își pierde valabilitatea dacă produsul este utilizat necorespunzător, utilizat neconform cu instrucțiunile de utilizare din manualul cu instrucțiuni sau conectat incorect. Garanția nu se aplică în cazul:
 - oricărei defecțiuni survenite în urma întreținerii necorespunzătoare a produsului
 - oricărui produs alterat sau modificat
 - oricărui produs la care inscripțiile cu datele de identificare (marca comercială, numărul de serie) au fost șterse, modificate sau îndepărtate
 - oricărei defecțiuni datorate neconformării cu instrucțiunile din manualul de utilizare
 - oricărui produs necertificat CE
 - oricărui produs asupra căruia au fost efectuate tentative de reparare de către personal necertificat sau fără autorizație prealabilă din partea Techtronic Industries.
 - oricărui produs conectat la o sursă de alimentare necorespunzătoare (curent, tensiune, frecvență)
 - oricărui defecțiuni datorate unor influențe externe (chimice, fizice, socuri) sau substanțe străine
 - uzurii și fisurării normale a pieselor de rezervă
 - utilizării neadecvate, suprasolicitării uneltei
 - utilizării de piese și accesorii neaprobate
 - accesorilor pentru unelți furnizate odată cu acestea sau achiziționate separat. Acestea sunt excluse de la aplicare, dar fără a se limita la următoarele: burghie, biți de șurubelniță, discuri abrazive, hărte abrazive și lame de tăiere, ghidaje laterale
 - Componentele (piese și accesorii) supuse uzurii normale, care includ, fără a se limita la, kituri de întreținere și service, perle de carbon, rulmenți, mandrină, adaptor pentru burghie SDS, cordon de alimentare, mâner auxiliare, cutie de transport, placă pentru șlefuit, sac pentru praf, tub pentru evacuarea prafului, discuri de păsă, adaptoare și resorturi pentru cheile de strângere prin vibrație, etc.
4. Pentru efectuarea reparațiilor, produsul trebuie trimis sau adus la un centru de reparații autorizat RYOBI din lista următoare de centre de reparații prezentate pentru fiecare țară. În anumite țări, reprezentantul local RYOBI va trimite produsul spre reparare la sediul central de reparații RYOBI. Atunci când trimiteți produsul spre reparare la un centru de reparații RYOBI, acesta trebuie ambalat în siguranță, fără conținut periculos (cum ar fi benzina), marcat cu adresa expeditorului și însoțit de o scurtă descriere a defectului.
5. Repararea/inlocuirea în perioada de garanție este gratuită. Aceasta nu este însoțită de o prelungire sau o reinițiere a perioadei de garanție. Piesele sau uneltele schimbate devin proprietatea dvs. În anumite țări, taxele de expediție sau poștale vor fi suportate de expeditor. Drepturile dvs. statutare rezultate din achiziția produsului rămân neschimbate
6. Această garanție este valabilă în Comunitatea Europeană, Elveția, Islanda, Norvegia, Liechtenstein, Turcia și Rusia. În afara acestor zone, vă rugăm să contactați reprezentantul dvs. local RYOBI pentru a determina dacă se aplică alt tip de garanție.

CENTRU DE SERVICE AUTORIZAT

Pentru a găsi un centru de service autorizat lângă dvs., vizitați <http://en.ryobitools.eu/header/service-and-support/service-agents>.

LV RYOBI® GARANTIJAS PIEMĒROŠANAS NOSACĪJUMI

Papildus jebkādām likumiskajām tiesībām, kuras rodas, veicot pirkumu, izstrādājums tiek nodrošināts ar tālāk tekstā noteikto garantiju.

1. Garantijas periods patērētājiem ir 24 mēneši, tā atskaitē tiek sākta no datuma, kurā veikta izstrādājuma iegāde. Šim datumam jābūt dokumentētām rēķinā vai citā pirkumu apliecināšā dokumentā. Izstrādājums ir radīts un paredzēts tikai patērētāja privātai lietošanai. Saistībā ar iepriekšminēto, garantija netiek nodrošināta profesionālas vai komerciālas lietošanas gadījumā.
2. Pastāv iespēja pagarināt daļas no elektroinstrumentu klāsta (Mainstrāvas/akumulatoru) garantiju ilgāk par iepriekš minēto periodu, izmantojot reģistrāciju interneta vietnē www.ryobitools.eu. Instrumenti, kas pakļauti garantijas perioda pagarināšanai, tiek skaidri apzīmēti veikalos un/vai uz iepakojuma un izstrādājumu komplektējošajā dokumentācijā. Gala lietotājam nepieciešams reģistrēt tā iegādāto jauno instrumentu 30 dienu laikā no pirkuma datuma. Gala lietotājs var reģistrēties pagarinātajai garantijai savas mītnes valstī, ja tā minēta tiesaistes reģistrācijas veidlapā, kurā šī iespēja ir aktīva. Bez tam, gala lietotājam ir jāsniedz pierādīšana tiesaistes ievadīšanai nepieciešamo datu glabāšanai un jāpiekrīt noteikumiem un nosacījumiem. Reģistrācijas apstiprinājums, kas tiek nosūtīts, izmantojot e-pastu, un rēķina oriģināls, kurā norādīts iegādes datums, kalpo kā pagarinātās garantijas apstiprinājums.
3. Garantija attiecas uz visiem izstrādājuma defektiem garantijas periodā, kas saistīti ar ražošanas vai materiālu defektiem no pirkuma datuma. Šī garantija tiek ierobežota ar remontu un/vai nomaiņu un neietver jebkādas citas saistības, tajā skaitā, bet ne tikai, cēloņsakarīgos vai saistītos bojājumus. Garantija nav spēkā, ja izstrādājums ir nepareizi lietots, izmantots pretēji norādēm lietošanas rokasgrāmatā vai bijis nepareizi pieslēgts. Šī garantija netiek attiecināta uz:
 - jebkādiem izstrādājuma bojājumiem, kas radušies nepareizas uzturēšanas rezultātā
 - jebkuru izstrādājumu, kas ticis pārveidots vai mainīts
 - jebkuru izstrādājumu, kura oriģinālais identifikācijas (preču zīme, sērijas numurs) marķējums ir ticis nodzēsts, mainīts vai noņemts
 - jebkādiem bojājumiem, kuri radušies neievērojot norādes lietošanas rokasgrāmatā
 - jebkādām izstrādājumam bez CE sertifikācijas
 - jebkuru izstrādājumam, kura remontu mēģinājis veikt nekvalificēts personāls vai bez Technonic Industries iepriekšējas autorizācijas.
 - jebkuru izstrādājumam, kurš bijis pieslēgts neatbilstošu parametru (strāvas, sprieguma, frekvences) sprieguma avotam
 - jebkuriem bojājumiem, kuri radušies ārējas iedarbības (ķīmiskas, fiziskas, triecieni) vai vielu ietekmē
 - detaļu normāla lietošanas nodiluma rezultātā
 - nepareizas lietošanas vai instrumentu pārslodzes rezultātā
 - neapstiprinātu detaļu vai aprīkojuma lietošanas rezultātā
 - elektroinstrumentu aksesuāriem, kas atrodas instrumenta komplektācijā vai ir iegādāti atsevišķi. Šis izņēmums attiecināms uz, bet neaprobežojoties ar, skrūvgrīvēju uzgaļiem, urbjiem, abrazīvajiem diskkiem, smilšpapīru un asmeņiem, sānu vadotnēm
 - komponentiem (daļām un aksesuāriem), kas pakļauti normālam nodilumam, ieskaitot, bet neaprobežojoties ar Servisa un apkopju komplekti, oglekļa sukuks, gultņi, patrona, SDS urbju uztvērējiem vai uzliks, elektrības vads, papildus rokturis, transportēšanas un pārnēsāšanas kaste, stipmašīnas plāksne, putekļu maisis, putekļu izvadišanas caurule, paplākšņi, triecienatslēgu tapas un atsperes, u.t.t.
4. Servisa nodrošināšanai, izstrādājums ir jānodod pilnvarotā RYOBI servisa centrā, kas norādīts katrai valstij tālāk minētajā servisa centru adresē sarakstā. Dažās valstīs jūs vietējais RYOBI izplatītājs uzņemas izstrādājuma nosūtīšanu uz RYOBI servisa organizāciju. Nosūtot izstrādājumu uz RYOBI servisa centru, izstrādājuma jābūt droši iepakotam, tas nedrīkst saturēt bīstamas vielas kā degvielu, sūtfūjumam jābūt marķētam ar sūtfūta adresi un īsu kļūmes aprakstu.
5. Remonts/nomaiņa šīs garantijas ietvaros ir bezmaksas. Tas nerada garantijas perioda pagarināšanu vai jaunu garantiju. Nomaiņās daļas vai instrumentu kļūst par mūsu īpašumu. Dažās valstīs piegādes vai pasta izmaksas būs jāapmaksā sūtfūtam. Jūsu likumiskās tiesības, kas nodibinās, iegādājoties instrumentu, paliek nemainīgas
6. Šī garantija ir spēkā Eiropas Kopienā, Šveicē, Islandē, Norvēģijā, Līhtenšteinā, Turcijā un Krievijā. Ārpus šīm teritorijām, lūdzu, sazinieties ar jūsu pilnvaroto RYOBI izplatītāju, lai noteiktu, vai ir piemērojama cita garantija.

AUTORIZĒTS APKALPOŠANAS CENTRS

Lai atrastu tuvāko autorizēto apkalpošanas centru, apmeklējiet <http://en.ryobitools.eu/header/service-and-support/service-agents>.

LT „RYOBI®“ GARANTIJOS TAIKYMO SĄLYGOS

Papildant bet kokias įstatymuose numatytas perkant atsirandančias teises, šiam įrenginiui taikoma toliau nurodyta garantija.

1. Vartotojams suteikiama 24 mėnesių trukmės garantija nuo įrenginio įsigijimo datos. Ši data turi būti nurodyta sąskaitoje faktūroje ar kitame pirkimą įrodančiame dokumente. Šis įrenginys skirtas tik vartotojų rinkai ir asmeniniam naudojimui. Todėl garantija netaikoma, jei įrenginys naudojamas profesiniems ar komerciniems reikiams.
2. Įsigijus tam tikrus elektrinius įrenginius (AC/DC), suteikiama galimybė pratęsti garantiją, kad ji galiojūt ilgiau, nei nurodyta pirmiau, naudojantis registracija interneto svetainėje www.ryobitools.eu. Ar galima pratęsti įrenginio garantinį laikotarpį, aiškiai nurodoma parduotuvėse ir (arba) ant įrenginio pakuočės, ir (arba) įrenginio dokumentuose. Galutinis naudotojas turi užregistruoti savo naujai įsigytą įrenginį per 30 dienų nuo įsigijimo datos. Galutinis naudotojas gali registruotis išplėstinei garantijai savo gyvenamojoje šalyje, jei ji nurodyta internetinėje registracijos formoje, kurioje siūloma tokia galimybė. Be to, galutiniai naudotojai turi sutikti su duomenų, kuriuos reikia įvesti internetu, saugojimu ir sveatinės naudojimo sąlygomis. Kaip išplėstinės garantijos įrodymas naudojamas registracijos patvirtinimo kvitas, atsiunčiamas e. paštu, ir originali sąskaita faktūra, kurioje nurodyta įsigijimo data.
3. Ši garantija apima visus garantiniu laikotarpiu aptiktus įrenginio trūkumus, atsiradusius dėl gamybos arba medžiaginių defektų nuo įsigijimo datos. Ši garantija nįbjoama remontu ir (arba) pakeitimu, ji neapima jokių kitų įsipareigojimų, įskaitant (bet tuo neapsiribojant) šaltinius arba antrinius nuostolius. Garantija anuliuojama, jei įrenginys buvo naudojamas netinkamai, naudojamas ne pagal naudojimo instrukciją arba netinkamai prijungtas. Ši garantija netaikoma:
 - jokiai įrenginiui padarytai žalai, kurią lemė netinkama techninė priežiūra;
 - jokiam įrenginiui, kuris buvo keičiamas ar modifikuojamas;
 - jokiam įrenginiui, kurio originalūs identifikavimo ženklai (prekės ženklas, serijos numeris) buvo sugadinti, pakeisti arba pašalinti;
 - jokiai žalai, kurią lemė naudojimo instrukcijos nesilaikymas;
 - jokiems CE ženklų nepažymėtiems įrenginiams;
 - jokiam įrenginiui, kurį bandė remontuoti nekvalifikuoti asmenys arba kuris buvo remontojuojamas be „Technonic Industries“ leidimo;
 - jokiam įrenginiui, kuris buvo prijungtas prie netinkamo maitinimo tinklo (netinkamos srovės, įtampos, dažnio);
 - jokiai žalai, kurią lemė išorinis poveikis (cheminis, fizinis, smūgiai) arba pašalinės medžiagos;
 - dėvimosioms dalims;
 - netinkamam naudojimui, įrenginio perkrovai;
 - nepatvirtintų priedų arba dalių naudojimui;
 - su įrenginiu pateiktiems arba atskirai įsigytiems elektrinio įrenginio priedams. Šios išimty apima (tuo neapsiribojant) atsektuvų antgalius, gražtų antgalius, šlifavimo diskus, švitrinį popierių ir geležtes, šoninį kreiptuvą;
 - komponentams (dalims ir priedams), kurie natūraliai dėviis, įskaitant (bet tuo neapsiribojant) įprastines ir technines priežiūros rinkinius, anglinius šepetėlius, guolius, laikiklį, SDS gražtų antgalii priedą arba lizdą, maitinimo kabelį, pagalbini rankena, nešiojimo dėklą, šlifavimo diską, maišelį dulkmėms, dulkių ištraukimo vamzdelį, fetro poveržles, smūginio veržliarakčio kaiščius ir spyruokles ir pan.
4. Prireikus atlikti priežiūros darbus, įrenginį reikia siųsti arba atvežti RYOBI įgaliojamam priežiūros centrui, nurodytam kiekvienos šalies priežiūros centrų adresų sąrašė. Kai kuriose šalyse vietinis RYOBI atstovas siunčia įrenginį RYOBI priežiūros organizacijai. Siunčiant įrenginį RYOBI priežiūros centrui, reikia saugiai jį supakuoti pašalinant visas pavojingas medžiagas, pvz., benzina, nurodyti ant pakuotės siuntytojo adresą ir pridėti trumpą gedimo aprašymą.
5. Pagal šią garantiją remontas / keitimas atliekami nemokamai. Tokie veiksmai netaikomi garantijos pratęsimu arba naujo garantinio laikotarpio pradžia. Dalys arba įrenginiai, kuriuos pakeitėme, tampa mūsų nuosavybe. Kai kuriose šalyse pristatymo ir pašto išlaidas turi padengti siuntėjas. Įstaty muose numatytos Europos teisės, atsirandančios perkant įrenginį, lieka nepakeistos
6. Ši garantija galioja Europos bendrijoje, Šveicarijoje, Islandijoje, Norvegiijoje, Lichtenšteinė, Turkijoje ir Rusijoje. Jei gyvenate ne šiose šalyse, kreipkitės į įgaliojamą RYOBI atstovą ir sužinokite, ar jums taikoma kita garantija.

ĮGALIJOTOS TECHNINĖS PRIEŽIŪROS CENTRAS

Jei norite surasti įgaliojatą techninės priežiūros centrą netoli Jūsų, apsilankykite interneto svetainėje <http://en.ryobitools.eu/header/service-and-support/service-agents>.

ET RYOBI® GARANTIIINGIMUSED

Lisaks toote ostust tulenevatele seadusjärgsetele õigustele, kehtib tootele ka alltoodud garantiiga.

1. Tarbijatele on garantiiaeg 24 kuud ja algab sellel kuupäeval, mil toode osteti. Selle kuupäeva tõestuseks on vaja arvet või mõnda teist tõendit ostu sooritamise kohta. Toode on mõeldud eratarbijatele ainult isiklikuks kasutamiseks. Seega ei kehti garantii ostu kasutamisel kutsetegevuses või kaubanduslikel eesmärkidel.
2. Teatud osale elektrilistele (vahelduvvoolu/alalisvoolu) tööriistadele on võimalik pikendada tõestuseks toodud garantiiaega, kasutades teie registreerimist veebilehel www.ryobitools.eu. Teave tööriista võimaliku pikendatud garantiiaja kohta on selgelt esile toodud poodides ja/või pakendil / ning see sisaldub toote dokumentatsioonis. Lõpparbiaja peab registreerima oma uued tööriistad interneti teel 30 päeva jooksul pärast ostmiseaega. Lõppkasutaja võib registreerida pikendatud garantiiaja saamise oma elukohariigis, kui veebis olevas registreerimisvormis on see valik lubatav. Lisaks peavad kasutajad andma oma nõusoleku veebis nõutud sisestatavate andmete säilitamiseks ning nad peavad nõustuma tingimustega. E-posti teel saadetav registreerimise kinnitus ja arve originalid, kus on näha ostu sooritamise kuupäev, on pikendatud garantiiaja tõestuseks.
3. Garantii katab kõik defektid toote garantiiaja jooksul, kui ostu kuupäeval ilmnevad talitlus- või materjalivead. Garantii piirub toote remondi ja/või väljavahetamisega ning ei sisalda muid kohustusi, muu hulgas ettenägematuid või kaudseid kahjusid. Garantii ei kehti, kui toodet ei ole kasutatud sihtotstarbeliselt või kooskõlas kasutusjuhendiga või see on valesti ühendatud. Garantii ei kehti järgmistel põhjustel:
 - toode on kahjustatud vale hoolituse tõttu
 - toodet on muudetud
 - toote algsuunatud identifitseerimisnumbriga (kaubamärk, seerianumber) on rikutud, muudetud või eemaldatud
 - kahju on tekkinud kasutusjuhendi mittejärgimisest
 - tootel puudub CE-märgis
 - toodet on püüdnud remontida vastavat kvalifikatsiooni mitte omav isik või ilma firma Techtronic Industries eelneva loata.
 - toode on ühendatud valesele toiteallikasse (voolutugevus, pinge, sagedus)
 - välismõjude (keemilised, füüsilised, elektrilöögid) või võrkehade tekitatud kahju
 - tavapärase kulumine ja katkised varuosad
 - ebaõige kasutamine, tööriista ülekoormamine
 - heakskiitmata tarvikute või osade kasutamine
 - koos tööriistaga saadud või eraldi ostetud elektriliste tööriistade tarvikud. Need erandid puudutavad muu hulgas kruvikeeraja otsakuid, puuriterasid, lihvkettaid, lihvpaberit ja -tald, küljuhukuid
 - Komponentid (osad ja tarvikud), mida iseloomustab kulumine ja vananemine, muu hulgas remondi- ja hoolduskomplektid, süsinikharjad, laagrid, padrunid, SDS-puuriterade tarvikud, toitejuhtid, lisakäepide, transpordikott, lihvplaat, tolmuokt, tolmu väljalasketoru, viildist seibid, löökmutrivõtme viildid ja vedrud jne.
4. Hoolduseks peab toote saatma või viima RYOBI volitatud teenindusse, mille aadressi leiata järgnevat teeninduspunkti nimekirjast vastava riigi alt. Mõnedes riikides võtab kohalik RYOBI edasimüüja enda kanda kohustuse saata toode RYOBI teenindusorganisatsiooni. Toote saatmisel RYOBI teenindusse peab toode olema ohutult pakitud ja ei tohi sisaldada ohtlikke aineid (nt bensini), kirjas peab olema saatja aadress ja lisatud vea lühikirjeldus.
5. Garantii alusel tehtavad remonditööd / asendamine on tasuta. See ei pikenda garantii kehtivusaega ega tähistu uue garantiiaja algust. Väljavahetatud osad või tööriistad kuuluvad meile. Mõnedes riikides maksab kätetoimetamis- ja postikulud saatja. Teile jäävad kehtima tööriista ostust tulenevad seadusjärgsed õigused
6. See garantii kehtib Euroopa Ühenduse territooriumil, Šveitsis, Islandil, Norras, Liechtensteinis, Türgis ja Venemaal. Väljaspool neid piirkondi võtke ühendust volitatud RYOBI edasimüüjaga, et teha kindlaks kas kehtib mõni teine garantii.

VOLITATUD HOOLDUSKESKUS

Oma volitatud hoolduskeskuse leiate veebisaidilt <http://en.ryobitools.eu/header/service-and-support/service-agents>.

HR UVJETI PRIMJENE JAMSTVA TVRTKE RYOBI®

Osim svim zakonskim pravima koja proizlaze iz kupnje, ovaj je proizvod pokriven jamstvom kako je navedeno u nastavku.

1. Jamstveno razdoblje za potrošače traje 24 mjeseca i počinje s datumom na koji je proizvod kupljen. Taj datum mora se dokumentirati računom ili drugim dokazom o kupnji. Proizvod je konstruiran i namijenjen samo za privatnu upotrebu korisnika. Stoga se jamstvo ne daje u slučaju profesionalne ili komercijalne uporabe.
2. Postoji mogućnost da se za dio asortimana električnih alata pokretanih izmjeničnom strujom (AC/DC) pruži gore navedeno jamstvo razdoblje jasno putem registriranja na mrežnom mjestu www.ryobitools.eu. Uvjeti koje je potrebno zadovoljiti kako bi se produžilo jamstveno razdoblje jasno su istaknuti u prodavaonicama i / ili na pakiranju / i nalaze se unutar dokumentacije proizvoda. Krajnji korisnik mora registrirati svoje novo kupljene alate na mreži u roku od 30 dana od datuma kupnje. Krajnji korisnik može se registrirati za produženo jamstvo u svojoj zemlji boravišta ako se nalazi na popisu u mrežnom obrascu za registraciju gdje je ta opcija važeća. Nadalje, krajnji korisnici moraju dati svoj pristanak na pohranu podataka koji su potrebni za mrežni ulazak i moraju prihvatiti odredbe i uvjete. Potvrda o prijemu registracije, koja se šalje putem e-pošte, kao i originalni račun s vidljivim datumom kupnje poslužit će kao dokaz produženog jamstva.
3. Jamstvo pokriva sve nedostatke proizvoda tijekom jamstvenog razdoblja koji su nastali zbog neispravnosti prilikom izrade ili materijala s datumom kupnje. Jamstvo je ograničeno na popravak i/ili zamjenu i ne obuhvaća nikakve druge obveze, uključujući, ali ne ograničavajući se na slučajne ili posljedične štete. Jamstvo ne vrijedi ako je proizvod bio zlorabljeno, korišten u suprotnosti s priručnikom s uputama ili ako je pogrešno spojen. Ovo jamstvo ne primjenjuje se na:
 - svaku štetu koja je na proizvodu nastala kao rezultat nepravilnog održavanja
 - svaki proizvod koji je promijenjen ili izmijenjen
 - svaki proizvod na kojem su izvorne identifikacijske oznake (žig, serijski broj) bile oštećene, izmijenjene ili uklonjene
 - svaku štetu prouzročenu neprimjerenom upotrebom priručnika s uputama
 - svaki proizvod koji nema oznaku CE
 - svaki proizvod koji je pokušao popraviti neovlašćen profesionalac ili onaj koji je popravljao bez prethodnog odobrenja tvrtke Techtronic Industries.
 - svaki proizvod koji je spojen na neprikladan izvor električnog napajanja (neodgovarajuća amperaza, napon, frekvencija)
 - svaku štetu prouzročenu unutarnjim utjecajima (kemijskim, fizikalnim, udarima) ili stranim tvarima
 - normalno habanje i trošenje rezervnih dijelova
 - neodgovarajuću uporabu, preopterećenje alata
 - upotrebu neodobrenog pribora ili dijelova
 - dodatnu opremu električnog alata isporučenu s alatom ili kupljenu odvojeno. Takvi izuzetci uključuju ali nisu ograničeni na vrhove odvijачa, svrdla bušilice, abrazivne diske, brusni papir i noževe, bočnu vodilicu
 - Komponente (dijelovi i pribor) podložne prirodnom trošenju i habanju, što uključuje, ali nije ograničeno na komplecte za servisiranje i održavanje, ugljične četkice, ležajeve, steznu glavu, nastavak ili priključak za svrdla za SDS bušilicu, priključni kabel, pomoćnu ručku, transportne torbe, brusnu ploču, vreću za prašinu, ispušnu cijev za prašinu, podloške od filca, udami ključ, zatici i opruge, itd.
4. Za potrebe servisiranja, proizvod se mora poslati ili odnijeti u ovlaštenu servisnu postaju tvrtke RYOBI navedenu na sljedećem popisu s adresama servisnih postaja u svakoj zemlji. U nekim zemljama, vaš lokalni RYOBI zastupnik obvezuje se da će poslati proizvod u servisnu organizaciju tvrtke RYOBI. Kada se proizvod šalje u neku servisnu postaju tvrtke RYOBI, proizvod se mora sigurno pakirati bez jednog od opasnih sadržaja kao što je benzin, na njemu mora pisati adresa pošiljatelja i mora biti popraćen kratkim opisom kvara.
5. Popravak / zamjena pod ovim jamstvom su besplatni. Oni ne predstavljaju produženje ili novi početak jamstvenog razdoblja. Zamijenjeni dijelovi ili alati postaju vaše vlasništvo. U nekim državama troškove isporuke ili poštarinu mora platiti pošiljatelj. Vaša zakonska prava koja proizlaze iz kupnje alata ostaju nepromijenjena
6. Ovo jamstvo vrijedi u Europskoj uniji, Švicarskoj, Islandu, Norveškoj, Lihtenštajnu, Turskoj i Rusiji. Izvan tih područja vas molimo da se obratite svojem ovlaštenom zastupniku tvrtke RYOBI kako biste utvrdili primjenjuje li se drugo jamstvo.

OVLAŠTENI SERVISNI CENTAR

Za pronalazjenje ovlaštenog servisnog centra pored vas posjetite <http://en.ryobitools.eu/header/service-and-support/service-agents>.

SL POGOJI ZA VELJAVNOST GARANCIJE RYOBI®

Poleg morebitnih zakonsko določenih pravic, ki izvirajo iz nakupa, za ta izdelek velja spodaj navedena garancija.

- Garancijsko obdobje je za potrošnike 24 mesecev in začne teči z dnem nakupa izdelka. Ta datum mora biti dokumentiran z računom ali drugim dokazilom o nakupu. Izdelek je zasnovan in namenjen izključno za potrošniško zasebno uporabo. V primeru strokovne oziroma komercialne uporabe izdelka garancija ne velja.
- Obstaja možnost podaljšanja garancije na del naše ponudbe električnih orodij (AC/DC) prek obdobja garancije, opisanege zgoraj, s pomočjo registracije na spletnem mestu www.ryobitools.eu website. Ustreznost orodij za podaljšanje garancijskega obdobja je jasno prikazana v trgovinah in/ali na embalaži oziroma je navedena v dokumentaciji izdelka. Končni uporabnik mora registrirati svoje novo orodje na spletu v 30 dneh po datumu nakupa. Končni uporabnik lahko registrira podaljšano garancijo v svoji državi bivanja, če je na obrazcu spletne registracije navedeno, da ta možnost velja za njegovo državo. Poleg tega morajo končni uporabniki podati svoje soglasje za shranjevanje podatkov, ki so potrebni za spletni dostop in morajo sprejeti pogoje in določila uporabe spletnega mesta. Potrdilo o registraciji, ki ga pošljemo prek e-pošte, in originalni račun, ki prikazuje datum nakupa, služita kot dokazilo o podaljšani garanciji.
- Garancija krije vse okvare izdelka, do katerih pride v garancijskem obdobju zaradi napak v izdelavi ali materialu, ki so bile prisotne ob datumu nakupa. Garancija je omejena na popravilo in/ali zamenjavo in ne vključuje nobenih drugih obveznosti, med drugim vključno z naključno ali posledično škodo. Garancija ne velja, če je bil izdelek napačno uporabljen, uporabljen v nasprotju z navodili iz priročnika za uporabo ali če ni bil pravilno povezan. Ta garancija ne velja za:
 - škodo na izdelku, ki je posledica neustreznega vzdrževanja
 - spremenjen ali prilagojen izdelek
 - izdelek, katerega originalna identifikacijska oznaka (blagovna znamka, serijska številka) je bil poškodovana, spremenjena ali odstranjena
 - škodo, ki je posledica neupoštevanja navodil iz priročnika za uporabo izdelka, ki nima oznake CE
 - izdelek, ki ga je poskušal opraviti ne kvalificiran strokovnjak ali ki je bil popraviljen brez predhodne odobritve s strani družbe Techtronic Industries.
 - izdelek, ki je bil povezan na neustrezno napajanje (amperska moč, napetost, frekvenca)
 - škodo, ki jo povzročijo zunanji vplivi (kemični, fizični, mehanski) ali tuje snovi
 - rezervne dele, ki so podvrženi običajni uporabi
 - neprimerno uporabo, preobremenitev orodja
 - uporabo neodobrenih dodatkov ali delov
 - Dodatno električno orodje, priloženo orodju ali kupljeno ločeno. Take izjeme so med drugim nastavki za izvijače, svedri, abrazivni diski, brusni papir in rezila, stranska vodila.
 - Komponente (sestavni in rezervni deli), ki so podvrženi običajni obrabi, med drugim vključno s kompleti za servisiranje in vzdrževanje, oglikovimi krtačkami, ležaji, vpenjali, svedrni priključki SDS ali sprejemnimi odprtini zanje, napajalnimi kablji, pomožnimi ročajji, prenosnimi kovčki, brusnimi ploščami, vrečkami za prah, cevmi za izpuh prahu, tesnilni iz filca, iglami in vzmetni udamega ključa itd.
- Za servisiranje morate izdelek poslati ali prinesiti v pooblaščen servisni center družbe RYOBI, ki je naveden za vsako državo na naslednjem seznamu naslovov servisnih centrov. V nekaterih državah se vaš lokalni posrednik družbe RYOBI obveže, da bo poslal izdelek na servis družbe RYOBI. Ko pošiljate izdelek v servisni center družbe RYOBI, mora biti izdelek varno zapakiran in ne sme vsebovati nobenih nevarnih snovi, kot je npr. bencin, opremljen pa mora biti z naslovom pošiljatelja in vsebovati kratek opis napake.
- Popravilo/zamenjava v skladu s to garancijo sta brezplačni storitvi. To pa ne predstavlja podaljšanja ali ponovnega začetka garancijskega obdobja. Zamenjani deli ali orodja postanejo naša last. V nekaterih državah stroške dostave ali poštno plača pošiljatelj. Vaše zakonsko določene pravice, ki izvirajo iz nakupa orodja, ostajajo nespremenjene.
- Ta garancija velja v Evropski skupnosti, Švici, Islandiji, na Norveškem, v Lichtenštajnu, v Turčiji in Rusiji. Izven teh območij se obrnite na svojega pooblaščenega posrednika izdelkov RYOBI, dealer ki vam bo povedal, ali velja kakšna druga garancija.

POOBLAŠČEN SERVISNI CENTER

Pooblaščen servisni center blizu vas poiščite na <http://en.ryobitools.eu/header/service-and-support/service-agents>.

SK ZÁRUČNÉ PODMIENKY RYOBI®

Na tento výrobok sa okrem všetkých zákonných práv, vyplývajúcich z nákupu, vzťahuje záruka v nasledovnom znení.

- Záručná doba pre spotrebiteľa je 24 mesiacov a začína plynúť odo dňa, kedy bol výrobok zakúpený. Tento dátum musí byť doložený faktúrou alebo iným dokladom o zakúpení. Výrobok je navrhnutý a určený pre spotrebiteľov a ten na súkromné používanie. Preto sa záruka sa neposkytuje v prípade použitia na profesionálne a komerčné účely.
- V prípade elektrického náradia (na striedavý/jednosmerný prúd AC/DC), existuje možnosť predĺženia záručnej doby oproti záručnej dobe, uvedenej vyššie, s využitím on-line registrácie na webovej stránke www.ryobitools.eu. Označenie na náradí o nároku na predĺženie záručnej doby je zreteľne uvedené v obchodoch a/alebo na obale a je uvedené v dokumentácii k výrobku. Koncový používateľ musí zaregistrovať svoje novozískané náradie on-line do 30 dní odo dňa nákupu. Koncový používateľ sa môže zaregistrovať na predĺženie záruky v krajine svojho bydliska, ak je v on-line registračnom formulári uvedená táto možnosť. Ďalej musia koncoví používatelia ešte dať svoj súhlas k uchovávaniu údajov, ktoré je potrebné zadať on-line a musia súhlasiť s podmienkami. Potvrdenie o prijatí registrácie, ktoré je zasielané e-mailom a originálny faktúra, v ktorej je uvedený dátum nákupu, slúžia ako dôkaz o predĺženej záruke.
- Záruka sa vzťahuje na všetky poruchy výrobku v záručnej dobe, spôsobené chybami materiálů alebo spracovania k dátumu nákupu. Táto záruka je obmedzená na opravu a/alebo výmenu a nezahŕňa ďalšie povinnosti, vrátane, okrem iných, náhodné alebo následné škody. Táto záruka je neplatná, ak bol výrobok nesprávne používaný, bol používaný v rozpore s návodom na použitie alebo bol nesprávne zapojený. Táto záruka sa nevzťahuje na:
 - akékoľvek poškodenie výrobku, ktoré bolo spôsobené nesprávnou obsluhou
 - akýkoľvek výrobok, ktorý bol zmenený alebo upravený
 - akýkoľvek výrobok, na ktorom bolo poškodené, upravené alebo odstránené identifikačné označenie (ochranná známka, výrobné číslo)
 - akékoľvek škody, spôsobené nedodržením návodu na obsluhu
 - akýkoľvek výrobok, ktorý neobsahuje označenie CE
 - akýkoľvek výrobok, ktorý sa pokúšal opraviť nekvalifikovaný odborník alebo bol opravovaný bez predchádzajúceho súhlasu so strany spoločnosti Techtronic Industries.
 - akýkoľvek výrobok, pripojený k nesprávnemu napájaciemu zdroju (ampéry, napätie, frekvencia)
 - akékoľvek poškodenia, spôsobené vonkajšími vplyvmi (chemickými, fyzikálnymi, nárazmi) alebo cudzorodnými látkami
 - bežné opotrebovanie náhradných dielov
 - nevhodné používanie, preťažovanie nástroja
 - používanie neschváleného príslušenstva a dielov
 - príslušenstvo k elektrickému náradiu, dodávané spolu s náradím alebo zakúpené oddelene. Takéto vylúčenia sa vzťahujú, okrem iného, na nástady skrutkovačov, vrtáky, brusne kotúče, brusný papier a čepele, bočné vodiace lišty
 - Súčiastky (diely a príslušenstvo), ktoré podliehajú prirodzenému opotrebovaniu, okrem iného súpravy na servis a údržbu, uhličky, ložiská, skľučovadlá, SDS vrtáky a príslušenstvo, príloh alebo prijímanie, napájací kábel, pomocná rukoväť, prepravná skriňa, brusná doska, pracovné vrečko, výfuková trubica, pistené podložky, kotlíky a pružiny na rázový uťahovač atď.
- Na opravu musí byť výrobok odoslaný alebo doručený do autorizovaného servisného strediska RYOBI, uvedeného pre každú krajinu v nasledovnom zozname adries servisných stredísk. V niektorých krajinách miestny zástupca RYOBI preberá na seba záväzok zaslať tovar do servisnej organizácie RYOBI. Pri odoslaní výrobku do servisného strediska RYOBI je potrebné výrobok bezpečne zabaliť bez akéhokoľvek nebezpečného obsahu, ako je benzín, s vyznačením adresy odosielateľa, s krátkym popisom poruchy.
- Oprava/výmena je vrámci tejto záruky bezplatná. Neznamená to predĺženie záruky alebo spustenie novej záručnej doby. Vymenené diely alebo nástroje sa stávajú našim vlastníctvom. V niektorých krajinách náklady na odoslanie alebo poštovné musí zaplatiť odosielateľ. Vaše zákonné práva, vyplývajúce z nákupu náradia, zostávajú nedotknuté.
- Táto záruka platí v Európskej únii, Švajčiarsku, Islande, Nórsku, Lichtenštajnsku, Turesku a Rusku. Ak sa nachádzate mimo týchto oblastí, obráťte sa na autorizovaného predajcu RYOBI na určenie, či sa dá uplatniť iná záruka.

AUTORIZOVANÉ SERVISNÉ CENTRUM

Ak chcete nájsť najbližšie autorizované servisné centrum, navštívte stránku <http://en.ryobitools.eu/header/service-and-support/service-agents>.

BG УСЛОВИЯ ЗА ВАЛИДНОСТ НА ГАРАНЦИЯТА НА RYOBI®

В допълнение към законоустановените права, произтичащи от покупката, този продукт е обхванат от гаранцията, както е изложено по-долу.

- Гаранционният срок е 24 месеца за клиенти и започва да тече от деня на закупуване на продукта. Тази дата трябва да се докаже с фактура или друго доказателство за покупка. Продуктът е изработен и предназначен само за потребителска и лична употреба. Следователно не се дава гаранция в случай на използване от професионалисти или с търговска цел.
- Съществува възможност за удължаване на гаранционния срок за част от диалогана на гаранцията на електрически инструменти (AC/DC) след изтичането на описания тук чрез регистрация на уеб сайта www.ryobitools.eu. В магазините и/или на опаковката или вътре в документацията на продукта е показано ясно дали инструментът отговаря на условията за такова удължаване на гаранционния срок. Крайният потребител трябва да регистрира своите новопридобити инструменти онлайн в рамките на 30 дни от датата на покупка. Крайният потребител може да се регистрира за удължена гаранция в държавата си на пребиваване, ако е посочена във формуляра за онлайн регистрация като място, където тази опция е валидна. Освен това крайните потребители трябва да дадат съгласието си за съхранение на данните, които са задължителни за ползване онлайн, и трябва да приемат общите условия. Полученото потвърждение за регистрация, изпратено по електронна поща, и оригиналната фактура, показваща датата на покупка, ще служат като доказателство за удължената гаранция.
- Гаранцията покрива всички дефекти на продукта по време на гаранционния срок, които се дължат на проблеми в изработката или материалите към момента на покупката. Гаранцията е ограничена до ремонт и/или замяна и не включва други задължения, включително, но не само, случайни или косвени щети. Гаранцията е невалидна, ако продуктът е използван неправилно или в противоречие с ръководството с инструкции, както и ако е свързан неправилно. Тази гаранция не важи за:
 - щети по продукт в резултат на неправилна профилактика
 - продукти, които са били изменени или модифицирани
 - продукт, при който оригиналните маркировки за идентификация (търговска марка, серийен номер) са изтрети, променени или премахнати
 - повреда, причинена от неспазване на ръководството с инструкции
 - продукт без CE маркировка
 - продукт, за който е направен опит за ремонт от неквалифициран специалист или без предварително разрешение от Techtronic Industries.
 - продукт, свързан към неподходящо електрохранване (ампераж, волтаж, честота)
 - щети, причинени от външни влияния (химични, физични, удари) или чужди вещества
 - нормално износване на резервни част
 - неподходяща употреба, претоварване на инструмента
 - използване на неободбени аксесоари или части
 - Аксесоарите за електрически инструмент са предоставени с инструмента или се купуват отделно. Тези изключения включват, но не само, накрайници за отвертка, свердела, абразивни дискове, шкурка и остриета, страничен водач
 - Компоненти (части и аксесоари), подложени на естествено износване, включително, но не само, комплекти за обслужване и поддръжка, карбонови четки, лагери, патронник, приставка със средло SDS или приемно устройство, захранващ кабел, спомогателна ръкохватка, кутия за транспортиране, шлифовъчна пластина, торба за прах, тръба за отвеждане на прах, филцови шабви, цифрове и пружини за винтовете и др.
- За обслужване продуктът трябва да се изпрати или занесе на авторизиран сервиз на RYOBI, посочен за всяка държава в следния списък с адреси на сервиси. В някои държави местният търговец на RYOBI поема отговорността да изпрати продукта до сервизен център на RYOBI. При изпращане на продукт до сервиз на RYOBI той трябва да е опакован безопасно без опасо съдържание, напр. бензин, да е маркиран с адреса на подателя и придружен от кратко описание на повредата.
- Ремонтът/замяната по силата на тази гаранция са безплатни. Те не водят до удължаване или подновяване на гаранционния срок. Сменените части или инструменти стават наша собственост. В някои държави таксите за доставка или изпращане трябва да се платят от подателя. Законоустановените ни права, произтичащи от закупуването на инструмента, остават незасегнати.
- Тази гаранция е валидна в Европейската общност, Швейцария, Исландия, Норвегия, Лихтенщайн, Турция и Русия. Извън тези области се свържете с упълномощения търговец на RYOBI, за да се установи дали е приложима друга гаранция.

УПЪЛНОМОЩЕН СЕРВИЗЕН ЦЕНТЪР

За да намерите упълномощен сервизен център близо до вас, посетете <http://en.ryobitools.eu/header/service-and-support/service-agents>.

UK ГАРАНТИЙНИ УМОВИ ДЛЯ RYOBI®

Окрім загалом установених законом прав, що стосуються покупки, цей пристрій покривається гарантією, що зазначено нижче.

- Гарантійний період для споживачів складає 24 місяці і починається з моменту придбання цього пристрою. Ця дата повинна бути задокументована у гарантійному талоні або чеку. Цей пристрій був розроблений і призначений тільки для споживчого та приватного використання. У разі професійного або комерційного використання цього пристрою, він втрачає гарантію.
- Існує можливість подовжити гарантійний період для частини лінійки електричних інструментів (перемінного/постійного струму), понад період описаний вище за допомогою реєстрації на сайті www.ryobitools.eu. Пристрої, які мають право на подовження гарантійного періоду, мають чіткі позначки щодо цього в магазинах і / або на упакуванні / та документації до пристрою. Кінцевий користувач повинен зареєструвати його/її новопридбаний пристрій онлайн протягом 30 днів з дати покупки. Кінцевий користувач може зареєструватися для подовження гарантійного періоду в своїй країні постійного перебування, якщо вона є доступною у відповідній опції онлайн форми реєстрації. Крім того, кінцеві користувачі повинні дати свою згоду на зберігання даних, які необхідні для ведення онлайн, а також вони повинні прийняти правила та умови. Отримання підтвердження реєстрації, яке відправляється на адресу електронної пошти, та оригінал гарантійного талона із зазначеною датою покупки буде служити доказом подовженої гарантії.
- Гарантія поширюється на всі дефекти пристрою протягом гарантійного терміну щодо недотримання стандартів виробництва або матеріалів на дату придбання. Гарантія обмежується ремонтом та/або заміною, та не включає в себе будь-яких інших зобов'язань, в тому числі, але не обмежена у разі випадкових та подальших пошкоджень. Гарантія не діє, якщо пристрій використовувався неналежним чином, всупереч інструкції з експлуатації або був неправильно підключений до мережі. Дана гарантія не поширюється на:
 - пристрої, що були пошкоджені у результаті неправильного технічного обслуговування;
 - пристрої, що були видозміннені або модифіковані;
 - пристрої, оригінальні ідентифікаційні (товарний знак, серійний номер) маркування яких було пошкоджене, змінене або видалено;
 - будь-які пошкодження, заподіяні недотриманням інструкції з експлуатації;
 - пристрої, що не мають маркування CE;
 - пристрої, що були відремонтовані некваліфікованим фахівцем або за відсутності попереднього дозволу від Techtronic Industries;
 - пристрої, підключені до невідповідного джерела живлення (сила току, напруги, частота);
 - будь-які пошкодження спричинені зовнішнім впливом (хімічним, фізичним, стрибком напруги) або сторонніми речовинами;
 - нормальну амортизацію запасних частин;
 - невідповідне використання, перевантаження пристрою;
 - використання не підтверджених запасних частин або аксесуарів;
 - приладдя до електронного інструменту, що постачається разом з пристроєм або купуються окремо. Такі винятки враховують але не є обмеженнями для наконечників викруток, свердел, абразивних дисків, наждачного паперу та лез, бічних напрямних – компоненти(частини та приладдя) з урахуванням нормального зношування, враховуючи, але без обмеження на комплекти профілактики та технічного обслуговування, вугільні шпінти, підшипники, патрони, кріплення або прийом SDS свердел, кабелі живлення, додаткові рукоятки, чохла для транспортування, шліфувальні пластини, мішки для збору пилу, трубки виплопу, фітрові кільця, штирі і пружини гайковерту і т.д.
- Для обслуговування пристрій має бути відправлений або поданий до одного з авторизованих сервісних центрів RYOBI, які перелічені для кожної країни у наступному переліку адрес сервісних центрів. У деяких країнах місцевий дилер RYOBI зобов'язується відправити пристрій до сервісного центру RYOBI. При відправленні пристрою до сервісного центру RYOBI, пристрій має бути надійно упакуваний без будь-якого небезпечного вмісту, наприклад бензину, з позначеною адресою відправника та супроводжуватися коротким описом несправності.
- Ремонт / заміна відповідно до цієї гарантії здійснюється безкоштовно. Це не є основою для подовження або початку нового гарантійного періоду. Замінені частини або прилади переходять до власності компанії. У деяких країнах вартість доставки або поштові витрати повинні бути сплачені відправником. Загально встановлені права покупця на пристрій залишаються незмінними.
- Ця гарантія діє в Європейському Союзі, Швейцарії, Ісландії, Норвегії, Лихтенштейні, Туреччині та Росії. За межами цих зон, будь ласка, зверніться до офіційного дилера RYOBI, щоб визначити, чи застосовується інша гарантія.

АВТОРИЗОВАНІ СЕРВІСНІ ЦЕНТРИ

Для отримання оновленого переліка авторизованих сервісних центрів, відвідайте <http://en.ryobitools.eu/header/service-and-support/service-agents>.

TR RYOBI® GARANTİ UYGULAMA KOŞULLARI

Alımdan kaynaklanan yasal haklara ek olarak, ürün aşağıda belirtilen garanti kapsamındadır.

1. Tüketiciler için 24 ay olan garanti süresi, ürünün satın alındığı tarihte başlar. Bu tarihin bir fatura ya da alım kanıtıyla belgelenmesi gerekir. Ürün sadece tüketim ve özel kullanım için geliştirilmiş ve adanmıştır. Bu nedenle, profesyonel ya da ticari kullanımı halinde garanti kapsamı sağlanmaz.
2. Elektrikli el aletlerinin bir bölümü (AC/DC) için www.ryobitools.eu sayfasındaki kayıt işlemini kullanarak garantinin belirtilen süresini ötesine sayfa imkanı mevcuttur. Aletlerin garanti süresinin uzatılmasına uygun olup olmadığı mağazalarda ve / veya ambalajda açıkça belirtilmiş olup, ürün dokümantasyonunda gösterilir. Son kullanıcının yeni aldığı aletleri satın alma tarihini izleyen 30 gün içinde kaydetmesi gerekir. Son kullanıcı ikamet ettiği ülkede, bu seçeneğin geçerli olduğu çevrimiçi kayıt formunda belirtilmişse, uzatılmış garanti süresi için kayıt yapılabilir. Dahası, son kullanıcıların çevrimiçi giriş için gerekli verilerin kaydedilmesine izin vermek ve hüküm ve koşulları kabul etmelidir. E-posta ile gönderilen kayıt teyit makbuzu ve alım tarihini gösteren orijinal fatura uzatılmış garantinin kanıtı olarak değerlendirilir.
3. Garanti, ürünün alım tarihindeki işçilik ve malzeme kusurları nedeniyle garanti süresi içinde oluşacak bütün arızaları kapsar. Bu garanti onarım ve değiştirilmeyle sınırlı olup, tasadufi ya da dolaylı hasarlar da dahil, ancak bunlarla kısıtlı olmayan başka hiçbir tahahhüd kapsamaz. Garanti, ürünün kötü, kullanici kılavuzuna aykırı kullanımına ya da yanlış bağlanmış olması halinde geçerli değildir. Bu garanti aşağıdakileri kapsamaz:
 - üründe, yanlış bakımдан kaynaklanan herhangi bir hasar
 - değiştirilmiş ya da modifiye edilmiş herhangi bir ürün
 - orijinal tanıtmış işaretleri (ticari marka, seri numarası) silinmiş, değiştirilmiş ya da kaldırılmış herhangi bir ürün
 - kullanma kılavuzuna uymamaktan kaynaklanmış herhangi bir hasar
 - herhangi bir AT dışı ürün
 - kalifiye olmamış personel tarafından ya da önceden Techtronic Industries onayı alınmadan onarılmış herhangi bir ürün.
 - uygunsuz güç kaynağına (amper, voltaj, frekans) bağlanmış herhangi bir ürün
 - harici etkenlerden (kimyasal, fiziksel, darbe) veya yabancı cisimlerden kaynaklanan her türlü hasar
 - normal aşınır ve yıpranır aksam
 - uygunsuz kullanım, aletin aşırı yüklenmesi
 - onaysız aksesuar veya parça kullanımı
4. Aletle birlikte sağlanmış ya da ayrıca alınmış elektrikli alet aksesuarları, Tornavida uçları, matkap uçları, aşındırıcı diskler, zımpara kağıdı ve bıçakları, yanıl kılavuz gibi aksamı içeren, ancak bunlarla sınırlı olmayan eklentiler
5. Servis ve Bakım kitiyle, kömür fırçalar, yataklar, kovanlar, SDS matkap ucu bağlantısı ya da yuvaları, güç kablosu, yedek tutamak, nakliye ve taşıma kutusu, kuşlama plakası, toz torbası, toz egzoz borusu, keçe rondelalar, Darbeli Tornavida Pim ve yayları vb. gibi parçaları kapsayan, ancak bunlarla sınırlı olmayan, aşınma ve yıpranmaya tabi bileşenler (aksam ve aksesuarlar).
4. Ürünün servis için her ülkede aşağıdaki servis istasyonları adres listesinde yer alan yetkili bir RYOBI servis istasyonuna gönderilmesi ya götürülmesi gereklidir. Bazı ülkelerde, yerel RYOBI distribütörünüz ürünü RYOBI servis tesisine göndermeyi üstlenir. Bir ürün bir RYOBI servis istasyonuna gönderilirken, ürünün güvenli bir biçimde ambalajlanması, benzin gibi tehlikeli maddeler içermemesi, gönderinen adresini taşıması ve arızanın kısa bir açıklamasını içermesi gerekir.
5. Bu garanti kapsamında yapılacak onarım / değişiklik ücretsizdir. Garanti süresinin uzatılması ya da yeniden başlatılması anlamına gelmez. Değiştirilmiş parçalar veya aletler bize ait olur. Bazı ülkelerde teslimat ücretleri veya posta giderlerini gönderici tarafından ödenmesi gerekir. Alımdan kaynaklanan yasal haklarının etkilenmez
6. Bu Garanti Avrupa Topluçuluğu, İsviçre, İzlanda, Norveç, Liechtenstein, Türkiye ve Rusya'da geçerlidir. Bu alanların dışında, başka bir garantinin geçerli olup olmadığını belirlemek için lütfen yetkili RYOBI distribütörünüzle irtibata geçin.

YETKİLİ SERVİS MERKEZİ

En yakın yetkili servis merkezini öğrenmek için <http://en.ryobitools.eu/header/service-and-support/service-agents> sitesine girin.

EL ΟΡΟΙ ΕΦΑΡΜΟΓΗΣ ΤΩΝ ΠΡΟΫΠΟΘΕΣΕΩΝ ΕΓΓΥΗΣΗΣ ΤΗΣ RYOBI®

Εκτός από τα νόμιμα δικαιώματα, τα οποία προκύπτουν από την αγορά, το προϊόν καλύπτεται από εγγύηση, λεπτομέρειες της οποίας ακολουθούν στη συνέχεια.

1. Η διάρκεια της εγγύησης για τους καταναλωτές είναι 24 μήνες και αρχίζει από την ημερομηνία αγοράς. Η ημερομηνία θα πρέπει να αναγράφεται στην απόδειξη ή σε άλλο αποδεικτικό αγοράς. Το προϊόν έχει σχεδιαστεί και προορίζεται αποκλειστικά για οικιακή χρήση από καταναλωτές. Συνεπώς, δεν παρέχεται εγγύηση σε περίπτωση επαγγελματικής ή εμπορικής χρήσης.
2. Υπάρχει η δυνατότητα επέκτασης της εγγύησης για ορισμένα ηλεκτρικά εργαλεία (AC/DC), πέραν του παραπάνω αναφερόμενου χρονικού διαστήματος, μέσω εγγραφής στο δικτυακό τόπο www.ryobitools.eu. Η επλεξιμότητα των εργαλείων με δυνατότητα επέκτασης της περιόδου εγγύησης αναγράφεται ρητά στα καταστήματα και/ή επάνω στη συσκευασία, ενώ περιέχεται στην τεκμηρίωση του προϊόντος. Το τελικός χρήστης θα πρέπει να καταχωρήσει τα προσωπικά αποκτηθέντα εργαλεία online, εντός 30 ημερών από την ημερομηνία αγοράς. Ο τελικός χρήστης μπορεί να εγγραφεί για την επέκταση εγγύησης επί χώρα κατοικίας, εφόσον αυτή περιλαμβάνεται στο online έντυπο εγγραφής, εάν υπάρχει η δυνατότητα επέκτασης. Επιπλέον, οι τελικοί χρήστες θα πρέπει να παρέχουν τη συγκατάθεσή τους για την αποθήκευση των στοιχείων τους, τα οποία οφείλουν να καταχωρούνται online, όπως και να αποθηκεύονται του όρους και τις προϋποθέσεις. Η απόδειξη επιβεβαίωσης της εγγραφής, η οποία αποστέλλεται μέσω email, και η πρωτότυπη απόδειξη αγοράς, η οποία αναφέρεται στην ημερομηνία αγοράς, αποτελούν αποδεικτικά της παρατεταμένης εγγύησης.
3. Η εγγύηση καλύπτει όλα τα ελαττώματα του προϊόντος, κατά τη διάρκεια της περιόδου εγγύησης, λόγω κατασκευαστικών ελαττωμάτων ή αστοχίας υλικού κατά την ημερομηνία αγοράς. Η εγγύηση περιορίζεται στην επίσκεψη και/ή την αντικατάσταση και δεν περιλαμβάνει καμία άλλη υποχρέωση, συμπεριλαμβανομένων, ενδεικτικά, συμπληρωματικών ή παρεπόμενων ζημιών. Η εγγύηση δεν ισχύει εφόσον, έχει σημειωθεί κακομεταχείριση του προϊόντος, δεν έχουν τηρηθεί οι οδηγίες του εγχειριδίου οδηγιών ή το προϊόν έχει συνδεθεί λανθασμένα. Η εγγύηση δεν ισχύει για:
 - οποιαδήποτε ζημία στο προϊόν, η οποία είναι αποτέλεσμα κακής συντήρησης
 - οποιοδήποτε προϊόν, το οποίο έχει αλλοιωθεί ή τροποποιηθεί
 - οποιοδήποτε προϊόν, στο οποίο έχει αλλοιωθεί, τροποποιηθεί ή αφαιρεθεί το γνήσιο αναγνωριστικό (σήμα κατατεθέν, σειριακός αριθμός)
 - οποιαδήποτε ζημία προκλήθει λόγω μη τήρησης του εγχειριδίου οδηγιών
 - οποιοδήποτε προϊόν χωρίς σήμανση CE
 - οποιοδήποτε προϊόν, στο οποίο έχει γίνει προσπάθεια επισκευής από μη καταρτισμένο επαγγελματία ή χωρίς την προηγούμενη έγκριση της Techtronic Industries.
 - οποιοδήποτε προϊόν, το οποίο έχει συνδεθεί σε ακατάλληλη παροχή ρεύματος (αμπερ, ισχύ, συχνότητα)
 - οποιαδήποτε ζημία έχει προκληθεί από εξωτερικές επιδράσεις (χημικές, φυσικές, κλιματιομετρικές) ή ξένες ουσίες
 - φυσιολογική φθορά και ρήξη ανταλλακτικών
 - ακατάλληλη χρήση, υπερφόρτωση του εργαλείου
 - χρήση μη ενδεδειγμένων εξαρτημάτων ή ανταλλακτικών
 - Εξαρτήματα ηλεκτρικών εργαλείων που παρασχεθήκαν με το εργαλείο ή αγοράστηκαν ξεχωριστά. Τέτοιες εξαρτήματα περιλαμβάνουν, ενδεικτικά, μύτες καταβίβησης, τρυπάνια, δίσκους λείανσης, γυαλόχαρτο και λειπίδες, πλευρικό οδηγό
 - Εξαρτήματα (ανταλλακτικά και αξεσουάρ) που υποκείμενα σε φυσική φθορά και θραύση, συμπεριλαμβανομένων, ενδεικτικά, σετ επισκευής & συντήρησης, ψηκτρών άνθρακα, εφεδράνων, τσοκ, εξαρτημάτων ή υποδοχών τρυπάνιων SDS, καλωδίων ισχύος, βοηθητικής λαβής, βαλίτσας μεταφοράς, βάσης τριβείου, σακούλας συλλογής σκόνης, σωλήνα εξαναγκαστικής σκόνης, ροδελών τόδους, μωτών και ελατηρίων κροστικού κλειδιού κοχλίων, κτλ.
4. Το προϊόν θα πρέπει να αποσταλεί ή να παραδοθεί για επισκευή ή συντήρηση σε εξουσιοδοτημένο σημείο σέρβις της RYOBI που περιλαμβάνεται στον ακόλουθο κατάλογο διευθύνσεων για κάθε χώρα. Σε ορισμένες χώρες, το τοπικό σημείο πώλησης της RYOBI αναλαμβάνει την αποστολή του προϊόντος στο κεντρικό σέρβις της RYOBI. Κατά την αποστολή ενός προϊόντος σε σημείο σέρβις της RYOBI, αυτό θα πρέπει να είναι ασφαλώς συσκευασμένο, χωρίς επικίνδυνον περιεχόμενο, όπως, πετρέλαιο, να φέρει τη διευθύνση του αποστολέα και να συνοδεύεται από σύντομη περιγραφή της βλάβης.
5. Η επιδιόρθωση / αντικατάσταση υπό την παρούσα εγγύηση παρέχεται δωρεάν. Δε συνιστά παράταση της περιόδου εγγύησης ή εκκίνηση νέας περιόδου εγγύησης. Τα μέρη που αντικαθίστανται περιέχονται στην κυριότητα μας. Σε ορισμένες χώρες, τα ενδεχόμενα έξοδα παραδοσης ή μεταφοράς βερνούν τον αποστολέα. Τα νόμιμα δικαιώματά σας, τα οποία απορρέουν από την αγορά του εργαλείου, δεν θίγονται.
6. Η παρούσα εγγύηση ισχύει στην Ευρωπαϊκή Κοινότητα, την Ελβετία, την Ισπανία, τη Νορβηγία, το Λιχτενστάιν, την Τουρκία και την Ρωσία. Εκτός των παραπάνω περιοχών, σας παρακαλούμε να επικοινωνήσετε με εξουσιοδοτημένο κατάστημα πώλησης της RYOBI, προκειμένου να διαπιστωθεί εάν ισχύει κάποια άλλη εγγύηση.

ΕΞΟΥΣΙΟΔΟΤΗΜΕΝΟ ΚΕΝΤΡΟ ΣΕΡΒΙΣ

Για να εντοπίσετε ένα εξουσιοδοτημένο κέντρο σέρβις στην περιοχή σας, επισκεφτείτε τη σελίδα <http://en.ryobitools.eu/header/service-and-support/service-agents>.

EN DECLARATION OF CONFORMITY

Techtronic Industries GmbH
Max-Eyth-Straße 10, 71364 Winnenden, Germany

Herewith we declare that the product

18V Nailer (18G)
Brand: RYOBI
Model number: R18N18G
Serial number range: 44446302000001- 44446302999999

is in conformity with the following European Directives and harmonised standards

2011/65/EU, 2006/42/EC, 2014/30/EU
EN 55014-1:2006+A1:2009+A2:2011, EN 55014-2:2015,
EN 60745-1: 2009+A11:2010, EN 60745-2-16:2010

RoHS documentation is compiled according to EN 50581:2012

Andrew John Eyre (BEng, CEng, MIET)
Vice President, Regulatory & Safety
Winnenden, Sep. 29, 2017

Authorised to compile the technical file:

Alexander Krug, Managing Director
Techtronic Industries GmbH
Max-Eyth-Straße 10, 71364 Winnenden, Germany



FR DÉCLARATION DE CONFORMITÉ

Techtronic Industries GmbH
Max-Eyth-Straße 10, 71364 Winnenden, Germany

Déclarons par la présente que le produit

Cloueuse 18V (18G)
Marque: RYOBI
Numéro de modèle: R18N18G
Étendue des numéros de série: 44446302000001- 44446302999999

est conforme aux Directives Européennes et Normes Harmonisées suivantes

2011/65/EU, 2006/42/EC, 2014/30/EU
EN 55014-1:2006+A1:2009+A2:2011, EN 55014-2:2015,
EN 60745-1: 2009+A11:2010, EN 60745-2-16:2010

La documentation RoHS a été dressée d'après EN 50581:2012

Andrew John Eyre (BEng, CEng, MIET)
Vice President, Regulatory & Safety
Winnenden, Sep. 29, 2017

Autorisé à rédiger le dossier technique:

Alexander Krug, Managing Director
Techtronic Industries GmbH
Max-Eyth-Straße 10, 71364 Winnenden, Germany



DE KONFORMITÄTSERKLÄRUNG

Techtronic Industries GmbH
Max-Eyth-Straße 10, 71364 Winnenden, Germany

Hiermit erklären wir, dass die Produkte

18 V Nagler (18G)
Marke: RYOBI
Modellnummer: R18N18G
Seriennummernbereich: 44446302000001- 44446302999999

den folgenden europäischen Richtlinien und harmonisierten Normen entspricht

2011/65/EU, 2006/42/EC, 2014/30/EU
EN 55014-1:2006+A1:2009+A2:2011, EN 55014-2:2015,
EN 60745-1: 2009+A11:2010, EN 60745-2-16:2010

RoHS Dokumentation ist gemäß EN 50581:2012 zusammengestellt

Andrew John Eyre (BEng, CEng, MIET)
Vice President, Regulatory & Safety
Winnenden, Sep. 29, 2017

Autorisiert die technische Datei zu erstellen:

Alexander Krug, Managing Director
Techtronic Industries GmbH
Max-Eyth-Straße 10, 71364 Winnenden, Germany



ES DECLARACIÓN DE CONFORMIDAD

Techtronic Industries GmbH
Max-Eyth-Straße 10, 71364 Winnenden, Germany

Por la presente declaramos que los productos

Clavadora 18V (18G)
Marca: RYOBI
Número de modelo: R18N18G
Intervalo del número de serie: 44446302000001- 44446302999999

se encuentra en conformidad con las siguientes Directivas Europeas y normas armonizadas

2011/65/EU, 2006/42/EC, 2014/30/EU
EN 55014-1:2006+A1:2009+A2:2011, EN 55014-2:2015,
EN 60745-1: 2009+A11:2010, EN 60745-2-16:2010

Documentación sobre restricción de sustancias peligrosas (RoHS) recopilada según la norma EN 50581:2012

Andrew John Eyre (BEng, CEng, MIET)
Vice President, Regulatory & Safety
Winnenden, Sep. 29, 2017

Autorizado para elaborar la ficha técnica:

Alexander Krug, Managing Director
Techtronic Industries GmbH
Max-Eyth-Straße 10, 71364 Winnenden, Germany



IT DICHIARAZIONE DI CONFORMITÀ

Techtronic Industries GmbH
Max-Eyth-Straße 10, 71364 Winnenden, Germany

Si dichiara con la presente che il prodotto

Chiodatrice 18V (18G)
Marca: RYOBI
Numero modello: R18N18G
Gamma numero seriale: 44446302000001- 44446302999999

è conforme alle seguenti Direttive Europee e ai seguenti standard armonizzati

2011/65/EU, 2006/42/EC, 2014/30/EU
EN 55014-1:2006+A1:2009+A2:2011, EN 55014-2:2015,
EN 60745-1: 2009+A11:2010, EN 60745-2-16:2010

La documentazione RoHS è stata compilata come indicato dalle norme EN 50581:2012

Andrew John Eyre (BEng, CEng, MIET)
Vice President, Regulatory & Safety
Winnenden, Sep. 29, 2017

Autorizzato per compilare il file tecnico:

Alexander Krug, Managing Director
Techtronic Industries GmbH
Max-Eyth-Straße 10, 71364 Winnenden, Germany



NL CONFORMITEITSVERKLARING

Techtronic Industries GmbH
Max-Eyth-Straße 10, 71364 Winnenden, Germany

Hierbij verklaren wij dat het product

18 V nagelmachine (18G)
Merk: RYOBI
Modelnummer: R18N18G
Seriennummerbereik: 44446302000001- 44446302999999

is in overeenstemming met de volgende Europese Richtlijnen en geharmoniseerde normen

2011/65/EU, 2006/42/EC, 2014/30/EU
EN 55014-1:2006+A1:2009+A2:2011, EN 55014-2:2015,
EN 60745-1: 2009+A11:2010, EN 60745-2-16:2010

RoHS-documentatie is samengesteld in overeenstemming met EN 50581:2012

Andrew John Eyre (BEng, CEng, MIET)
Vice President, Regulatory & Safety
Winnenden, Sep. 29, 2017

Afgevaardigde voor het samenstellen van de technische fiche:

Alexander Krug, Managing Director
Techtronic Industries GmbH
Max-Eyth-Straße 10, 71364 Winnenden, Germany



PT DECLARAÇÃO DE CONFORMIDADE

Techtronic Industries GmbH
Max-Eyth-Straße 10, 71364 Winnenden, Germany

Pelo presente declaramos que os produtos

Ferramenta para pregos 18V (18G)
Marca: RYOBI
Número do modelo: R18N18G
Intervalo do número de série: 44446302000001- 44446302999999

se encontra em conformidade com as seguintes Directivas Europeias e normas harmonizadas

2011/65/EU, 2006/42/EC, 2014/30/EU
EN 55014-1:2006+A1:2009+A2:2011, EN 55014-2:2015,
EN 60745-1: 2009+A11:2010, EN 60745-2-16:2010

Documentação sobre restrição de substâncias perigosas (RoHS) compilada segundo a norma EN 50581:2012

Andrew John Eyre (BEng, CEng, MIET)
Vice President, Regulatory & Safety
Winnenden, Sep. 29, 2017

Autorizado para compilar o ficheiro técnico:

Alexander Krug, Managing Director
Techtronic Industries GmbH
Max-Eyth-Straße 10, 71364 Winnenden, Germany

DA OVERENSSTEMMELSESERKLÆRING

Techtronic Industries GmbH
Max-Eyth-Straße 10, 71364 Winnenden, Germany

Vi erklærer hermed, at produktet

18 V sømpistol (18G)
Brand: RYOBI
Modelnummer: R18N18G
Serienummerområde: 44446302000001- 44446302999999

er i overensstemmelse med følgende EU-direktiver og harmoniserede standarder

2011/65/EU, 2006/42/EC, 2014/30/EU
EN 55014-1:2006+A1:2009+A2:2011, EN 55014-2:2015,
EN 60745-1: 2009+A11:2010, EN 60745-2-16:2010

RoHS-dokumentationen er udarbejdet i henhold til EN 50581:2012

Andrew John Eyre (BEng, CEng, MIET)
Vice President, Regulatory & Safety
Winnenden, Sep. 29, 2017

Bemyndiget til at udarbejde det tekniske kartotek:

Alexander Krug, Managing Director
Techtronic Industries GmbH
Max-Eyth-Straße 10, 71364 Winnenden, Germany

SV KONFORMITETSDEKLARATION

Techtronic Industries GmbH
Max-Eyth-Straße 10, 71364 Winnenden, Germany

Härmed deklarerar vi att produkterna

18 V Spikpistol (18G)
Märke: RYOBI
Modellnummer: R18N18G
Serienummerintervall: 44446302000001- 44446302999999

är i enlighet med följande EU-direktiv och harmoniserade standarder

2011/65/EU, 2006/42/EC, 2014/30/EU
EN 55014-1:2006+A1:2009+A2:2011, EN 55014-2:2015,
EN 60745-1: 2009+A11:2010, EN 60745-2-16:2010

RoHS-dokumentation sammanställd enligt EN 50581:2012

Andrew John Eyre (BEng, CEng, MIET)
Vice President, Regulatory & Safety
Winnenden, Sep. 29, 2017

Godkänd att sammanställa den tekniska filen:

Alexander Krug, Managing Director
Techtronic Industries GmbH
Max-Eyth-Straße 10, 71364 Winnenden, Germany

FI SÄÄNNÖSTEN NOUDATTAMINEN

Techtronic Industries GmbH
Max-Eyth-Straße 10, 71364 Winnenden, Germany

Ilmoitamme täten, että tuotteet

18V naulain (18G)
Tuotemerkki: RYOBI
Mallinumero: R18N18G
Sarjanumeroalue: 44446302000001- 44446302999999

noudattaa seuraavia EU-direktiivejä ja harmonoituja standardeja

2011/65/EU, 2006/42/EC, 2014/30/EU
EN 55014-1:2006+A1:2009+A2:2011, EN 55014-2:2015,
EN 60745-1: 2009+A11:2010, EN 60745-2-16:2010

RoHS-dokumentaatio on koottu standardin EN 50581:2012 mukaisesti

Andrew John Eyre (BEng, CEng, MIET)
Vice President, Regulatory & Safety
Winnenden, Sep. 29, 2017

Valtuutettu kokoamaan tekninen tiedosto:

Alexander Krug, Managing Director
Techtronic Industries GmbH
Max-Eyth-Straße 10, 71364 Winnenden, Germany

NO SAMSVARERKLÆRING

Techtronic Industries GmbH
Max-Eyth-Straße 10, 71364 Winnenden, Germany

Herved erklærer vi at produktet

18V spikerpistol (18G)
Merke: RYOBI
Modellnummer: R18N18G
Serienummerserie: 44446302000001- 44446302999999

er i samsvar med følgende europeiske direktiver og harmoniserte standarder

2011/65/EU, 2006/42/EC, 2014/30/EU
EN 55014-1:2006+A1:2009+A2:2011, EN 55014-2:2015,
EN 60745-1: 2009+A11:2010, EN 60745-2-16:2010

RoHS dokumentasjonen er skrevet i samsvar med EN 50581:2012

Andrew John Eyre (BEng, CEng, MIET)
Vice President, Regulatory & Safety
Winnenden, Sep. 29, 2017

Autorisert til å sette sammen den tekniske filen:

Alexander Krug, Managing Director
Techtronic Industries GmbH
Max-Eyth-Straße 10, 71364 Winnenden, Germany

RU ЗАЯВЛЕНИЕ О СООТВЕТСТВИИ ТРЕБОВАНИЯМ

Techtronic Industries GmbH
Max-Eyth-Straße 10, 71364 Winnenden, Germany

Настоящим мы заявляем, что данный продукт

18В Стенлер (18G)
Марка: RYOBI
Номер модели: R18N18G
Диапазон заводских номеров: 44446302000001- 44446302999999

соответствует требованиям следующих Директив ЕС и согласованных стандартов

2011/65/EU, 2006/42/EC, 2014/30/EU
EN 55014-1:2006+A1:2009+A2:2011, EN 55014-2:2015,
EN 60745-1: 2009+A11:2010, EN 60745-2-16:2010

Документация RoHS соответствует стандарту EN 50581:2012

Andrew John Eyre (BEng, CEng, MIET)
Vice President, Regulatory & Safety
Winnenden, Sep. 29, 2017

Лицо, ответственное за подготовку технической документации:

Alexander Krug, Managing Director
Techtronic Industries GmbH
Max-Eyth-Straße 10, 71364 Winnenden, Germany

**PL** DEKLARACJA ZGODNOŚCI

Techtronic Industries GmbH
Max-Eyth-Straße 10, 71364 Winnenden, Germany

Niniejszym deklarujemy, że produkty

Pistolet do gwoździ 18 V (18G)
Marka: RYOBI
Numer modelu: R18N18G
Zakres numerów seryjnych: 44446302000001- 44446302999999

jest zgodny z następującymi dyrektywami europejskimi i zharmonizowanymi normami

2011/65/EU, 2006/42/EC, 2014/30/EU
EN 55014-1:2006+A1:2009+A2:2011, EN 55014-2:2015,
EN 60745-1: 2009+A11:2010, EN 60745-2-16:2010

Dokumentacja RoHS została opracowana zgodnie z normą EN 50581:2012

Andrew John Eyre (BEng, CEng, MIET)
Vice President, Regulatory & Safety
Winnenden, Sep. 29, 2017

*Osoba upoważniona do sporządzenia dokumentu technicznego:*

Alexander Krug, Managing Director
Techtronic Industries GmbH
Max-Eyth-Straße 10, 71364 Winnenden, Germany

RO DECLARAȚIE DE CONFORMITATE

Techtronic Industries GmbH
Max-Eyth-Straße 10, 71364 Winnenden, Germany

Prin prezenta, declarăm că produsele

Ciocan pneumatic de bătut cuie 18V (18G)
Marka: RYOBI
Număr serie: R18N18G
Gamă număr serie: 44446302000001- 44446302999999

este în conformitate cu următoarele Directive Europene și standarde armonizate

2011/65/EU, 2006/42/EC, 2014/30/EU
EN 55014-1:2006+A1:2009+A2:2011, EN 55014-2:2015,
EN 60745-1: 2009+A11:2010, EN 60745-2-16:2010

Documentația RoHS este întocmită în conformitate cu EN 50581:2012

Andrew John Eyre (BEng, CEng, MIET)
Vice President, Regulatory & Safety
Winnenden, Sep. 29, 2017

*Autorizat să completeze fișa tehnică:*

Alexander Krug, Managing Director
Techtronic Industries GmbH
Max-Eyth-Straße 10, 71364 Winnenden, Germany

CS PROHLÁŠENÍ O SHODĚ

Techtronic Industries GmbH
Max-Eyth-Straße 10, 71364 Winnenden, Germany

Tímto prohlašujeme, že výrobky

18 V sponkovačka (18G)
Značka: RYOBI
Číslo modelu: R18N18G
Rozsah sériových čísel: 44446302000001- 44446302999999

že tento výrobek je v souladu s evropskými a harmonizovanými standardy

2011/65/EU, 2006/42/EC, 2014/30/EU
EN 55014-1:2006+A1:2009+A2:2011, EN 55014-2:2015,
EN 60745-1: 2009+A11:2010, EN 60745-2-16:2010

RoHS dokumentace sestavena dle EN 50581:2012

Andrew John Eyre (BEng, CEng, MIET)
Vice President, Regulatory & Safety
Winnenden, Sep. 29, 2017

*Pověřeni ke kompilaci technického souboru:*

Alexander Krug, Managing Director
Techtronic Industries GmbH
Max-Eyth-Straße 10, 71364 Winnenden, Germany

LV ATBILSTĪBAS DEKLARĀCIJA

Techtronic Industries GmbH
Max-Eyth-Straße 10, 71364 Winnenden, Germany

Ar šo paziņojam, ka produkti

18V naglu pistole (18G)
Zīmols: RYOBI
Modeļa numurs: R18N18G
Sērijas numura intervāls: 44446302000001- 44446302999999

atbilst šādām Eiropas direktīvām un saskaņotajiem standartiem

2011/65/EU, 2006/42/EC, 2014/30/EU
EN 55014-1:2006+A1:2009+A2:2011, EN 55014-2:2015,
EN 60745-1: 2009+A11:2010, EN 60745-2-16:2010

RoHS dokumentācija ir izstrādāta saskaņā ar EN 50581:2012

Andrew John Eyre (BEng, CEng, MIET)
Vice President, Regulatory & Safety
Winnenden, Sep. 29, 2017

*Pārīvarots sastādīt tehnisko failu:*

Alexander Krug, Managing Director
Techtronic Industries GmbH
Max-Eyth-Straße 10, 71364 Winnenden, Germany

HU MEGFELELŐSÉGI NYILATKOZAT

Techtronic Industries GmbH
Max-Eyth-Straße 10, 71364 Winnenden, Germany

Ezúton kijelentjük, hogy a termékek

18 V Szógbelövő (18G)
Márka: RYOBI
Típusszám: R18N18G
Sorozatszám tartomány: 44446302000001- 44446302999999

megfelel az alábbi Európai Irányelvek és harmonizált szabványok vonatkozó rendelkezésének

2011/65/EU, 2006/42/EC, 2014/30/EU
EN 55014-1:2006+A1:2009+A2:2011, EN 55014-2:2015,
EN 60745-1: 2009+A11:2010, EN 60745-2-16:2010

A RoHS dokumentáció összeállítására az EN 50581:2012 szerint történt

Andrew John Eyre (BEng, CEng, MIET)
Vice President, Regulatory & Safety
Winnenden, Sep. 29, 2017

*A műszaki dokumentáció összeállítására felhatalmazott:*

Alexander Krug, Managing Director
Techtronic Industries GmbH
Max-Eyth-Straße 10, 71364 Winnenden, Germany

LT ATITIKTIES PAREIŠKIMAS

Techtronic Industries GmbH
Max-Eyth-Straße 10, 71364 Winnenden, Germany

Mes pareiškiame, kad šie produktai

18V vinų kaltuvas (18G)
Prekės ženklas: RYOBI
Modelio numeris: R18N18G
Serijinio numerio diapazonas: 44446302000001- 44446302999999

pagamintas laikantis toliau nurodytųjų Europos Direktyvų ir darniųjų standartų

2011/65/EU, 2006/42/EC, 2014/30/EU
EN 55014-1:2006+A1:2009+A2:2011, EN 55014-2:2015,
EN 60745-1: 2009+A11:2010, EN 60745-2-16:2010

Tam tikrų pavojingų medžiagų naudojimo elektros ir elektroninėje įrangoje apri bojimo dokumentai sudaryti pagal standartą EN 50581:2012

Andrew John Eyre (BEng, CEng, MIET)
Vice President, Regulatory & Safety
Winnenden, Sep. 29, 2017

*Įgaliotas sudaryti techninį failą:*

Alexander Krug, Managing Director
Techtronic Industries GmbH
Max-Eyth-Straße 10, 71364 Winnenden, Germany



ET VASTAVUSDEKLARATSIOON

Techtronic Industries GmbH
Max-Eyth-Straße 10, 71364 Winnenden, Germany

Kinnitame, et see toode

Naeluti 18V (18G)
Mark: RYOBI
Mudelil number: R18N18G
Seerianumbri vahemik: 44446302000001- 44446302999999

vastab järgmistele Euroopa direktiividele ja harmoniseeritud standarditele

2011/65/EU, 2006/42/EC, 2014/30/EU
EN 55014-1:2006+A1:2009+A2:2011, EN 55014-2:2015,
EN 60745-1: 2009+A11:2010, EN 60745-2-16:2010

RoHS dokumendid on koostatud vastavuses standardi EN 50581:2012 nõuetele.

Andrew John Eyre (BEng, CEng, MIET)
Vice President, Regulatory & Safety
Winnenden, Sep. 29, 2017

Tehnilise faili koostamiseks volitatud isik:

Alexander Krug, Managing Director
Techtronic Industries GmbH
Max-Eyth-Straße 10, 71364 Winnenden, Germany

**SK** PREHLÁSENIE O ZHODE

Techtronic Industries GmbH
Max-Eyth-Straße 10, 71364 Winnenden, Germany

Týmto vyhlasujeme, že výrobok

18 V sponkovačka (18G)
Značka: RYOBI
Číslo modelu: R18N18G
Rozsah sériových čísiel: 44446302000001- 44446302999999

je v súlade s nasledujúcimi Európskymi smernicami a harmonizovanými normami

2011/65/EU, 2006/42/EC, 2014/30/EU
EN 55014-1:2006+A1:2009+A2:2011, EN 55014-2:2015,
EN 60745-1: 2009+A11:2010, EN 60745-2-16:2010

Dokumentácia RoHS je zostavená podľa EN 50581:2012

Andrew John Eyre (BEng, CEng, MIET)
Vice President, Regulatory & Safety
Winnenden, Sep. 29, 2017

Oprávnená osoba na zostavenie technického súboru:

Alexander Krug, Managing Director
Techtronic Industries GmbH
Max-Eyth-Straße 10, 71364 Winnenden, Germany

**HR** IZJAVA O USKLADENOSTI

Techtronic Industries GmbH
Max-Eyth-Straße 10, 71364 Winnenden, Germany

Ovime izjavljujemo da su proizvodi

Udarač čavala od 18V (18G)
Marka: RYOBI
Broj modela: R18N18G
Raspon serijskog broja: 44446302000001- 44446302999999

usklađen sa sljedećim Europskim Direktivama i usklađenim normama

2011/65/EU, 2006/42/EC, 2014/30/EU
EN 55014-1:2006+A1:2009+A2:2011, EN 55014-2:2015,
EN 60745-1: 2009+A11:2010, EN 60745-2-16:2010

RoHS dokumentacija sukladna je EN 50581:2012

Andrew John Eyre (BEng, CEng, MIET)
Vice President, Regulatory & Safety
Winnenden, Sep. 29, 2017

Ovlašten da sastavi tehničku datoteku:

Alexander Krug, Managing Director
Techtronic Industries GmbH
Max-Eyth-Straße 10, 71364 Winnenden, Germany

**BG** ДЕКЛАРАЦИЯ НА ЗА СЪОТВЕТСТВИЕ

Techtronic Industries GmbH
Max-Eyth-Straße 10, 71364 Winnenden, Germany

С настоящето декларираме, че продуктите

Пистолет за пирони 18 V (18 G)
Марка: RYOBI
Номер на модела: R18N18G
Обхват на серийни номера: 44446302000001- 44446302999999

отговаря на следните директиви на ЕС и хармонизирани стандарти

2011/65/EU, 2006/42/EC, 2014/30/EU
EN 55014-1:2006+A1:2009+A2:2011, EN 55014-2:2015,
EN 60745-1: 2009+A11:2010, EN 60745-2-16:2010

Документацията за RoHS е съставена в съответствие с EN 50581:2012.

Andrew John Eyre (BEng, CEng, MIET)
Вицепрезидент, отдел Нормативни изисквания и безопасност
Winnenden, Sep. 29, 2017

Упълномощено лице за съставяне на техническия файл:

Alexander Krug, Управляващ директор
Techtronic Industries GmbH
Max-Eyth-Straße 10, 71364 Winnenden, Germany

**SL** IZJAVA O SKLADNOSTI

Techtronic Industries GmbH
Max-Eyth-Straße 10, 71364 Winnenden, Germany

Izjavljamo, da je izdelek

18 V žebjalnik (18G)
Znamka: RYOBI
Številka modela: R18N18G
Razpon serijskih števil: 44446302000001- 44446302999999

v skladu s sledečimi evropskimi direktivami in harmoniziranimi standardi

2011/65/EU, 2006/42/EC, 2014/30/EU
EN 55014-1:2006+A1:2009+A2:2011, EN 55014-2:2015,
EN 60745-1: 2009+A11:2010, EN 60745-2-16:2010

Dokumentacija RoHS je sestavljena skladno s standardom EN 50581:2012

Andrew John Eyre (BEng, CEng, MIET)
Vice President, Regulatory & Safety
Winnenden, Sep. 29, 2017

Pooblaščen oseba za sestavo tehnične dokumentacije:

Alexander Krug, Managing Director
Techtronic Industries GmbH
Max-Eyth-Straße 10, 71364 Winnenden, Germany

**UK** ДЕКЛАРАЦИЯ ПРО ВІДПОВІДНІСТЬ

Techtronic Industries GmbH
Max-Eyth-Straße 10, 71364 Winnenden, Germany

При цьому ми заявляємо, що продукт

Цвяхозабивач, 18В
Марка: RYOBI
Номер моделі: R18N18G
Діапазон серійного номеру: 44446302000001- 44446302999999

у відповідності з наступними європейськими директивами та гармонізованими стандартами

2011/65/EU, 2006/42/EC, 2014/30/EU
EN 55014-1:2006+A1:2009+A2:2011, EN 55014-2:2015,
EN 60745-1: 2009+A11:2010, EN 60745-2-16:2010

Документація RoHS складена відповідно до EN 50581:2012

Andrew John Eyre (BEng, CEng, MIET)
Vice President, Regulatory & Safety
Winnenden, Sep. 29, 2017

Дозвіл на складання технічного файла:

Alexander Krug, Managing Director
Techtronic Industries GmbH
Max-Eyth-Straße 10, 71364 Winnenden, Germany



TR UYGUNLUK BEYANI

Techtronic Industries GmbH
Max-Eyth-Straße 10, 71364 Winnenden, Germany

Böylelikle beyan ederiz ki: ürün
18V Çivi Tabancası (18G)
Marka: RYOBI
Model numarası: R18N18G
Seri numarası aralığı: 44446302000001- 44446302999999

aşağıdaki Avrupa Direktifleri ve uyumlaştırılmış standartlara uygundur
2011/65/EU, 2006/42/EC, 2014/30/EU
EN 55014-1:2006+A1:2009+A2:2011, EN 55014-2:2015,
EN 60745-1: 2009+A11:2010, EN 60745-2-16:2010

RoHS belgeleri EN 50581:2012 uyarınca derlenmiştir



Andrew John Eyre (BEng, CEng, MIET)
Vice President, Regulatory & Safety
Winnenden, Sep. 29, 2017

Teknik dosya hazırlamaya yetkilidir:
Alexander Krug, Managing Director
Techtronic Industries GmbH
Max-Eyth-Straße 10, 71364 Winnenden, Germany

CE

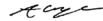
EL ΔΗΛΩΣΗ ΣΥΜΜΟΡΦΩΣΗΣ

Techtronic Industries GmbH
Max-Eyth-Straße 10, 71364 Winnenden, Germany

Δια του παρόντος δηλώνουμε ότι το προϊόν
Καρφωτικό 18V (18G)
Μάρκα: RYOBI
Αριθμός μοντέλου: R18N18G
Εύρος σειριακών αριθμών: 44446302000001- 44446302999999

είναι σύμφωνο με τις παρακάτω Ευρωπαϊκές Οδηγίες και εναρμονισμένα πρότυπα
2011/65/EU, 2006/42/EC, 2014/30/EU
EN 55014-1:2006+A1:2009+A2:2011, EN 55014-2:2015,
EN 60745-1: 2009+A11:2010, EN 60745-2-16:2010

Τα έγγραφα RoHS συντάσσονται σύμφωνα με το EN 50581:2012



Andrew John Eyre (BEng, CEng, MIET)
Vice President, Regulatory & Safety
Winnenden, Sep. 29, 2017

Εξουσιοδοτημένο άτομο για σύνταξη τεχνικού αρχείου:
Alexander Krug, Managing Director
Techtronic Industries GmbH
Max-Eyth-Straße 10, 71364 Winnenden, Germany

CE

Techtronic Industries GmbH
Max-Eyth-Straße 10,
71364 Winnenden, Germany