

# SOJAG

produits saisonniers • seasonal products

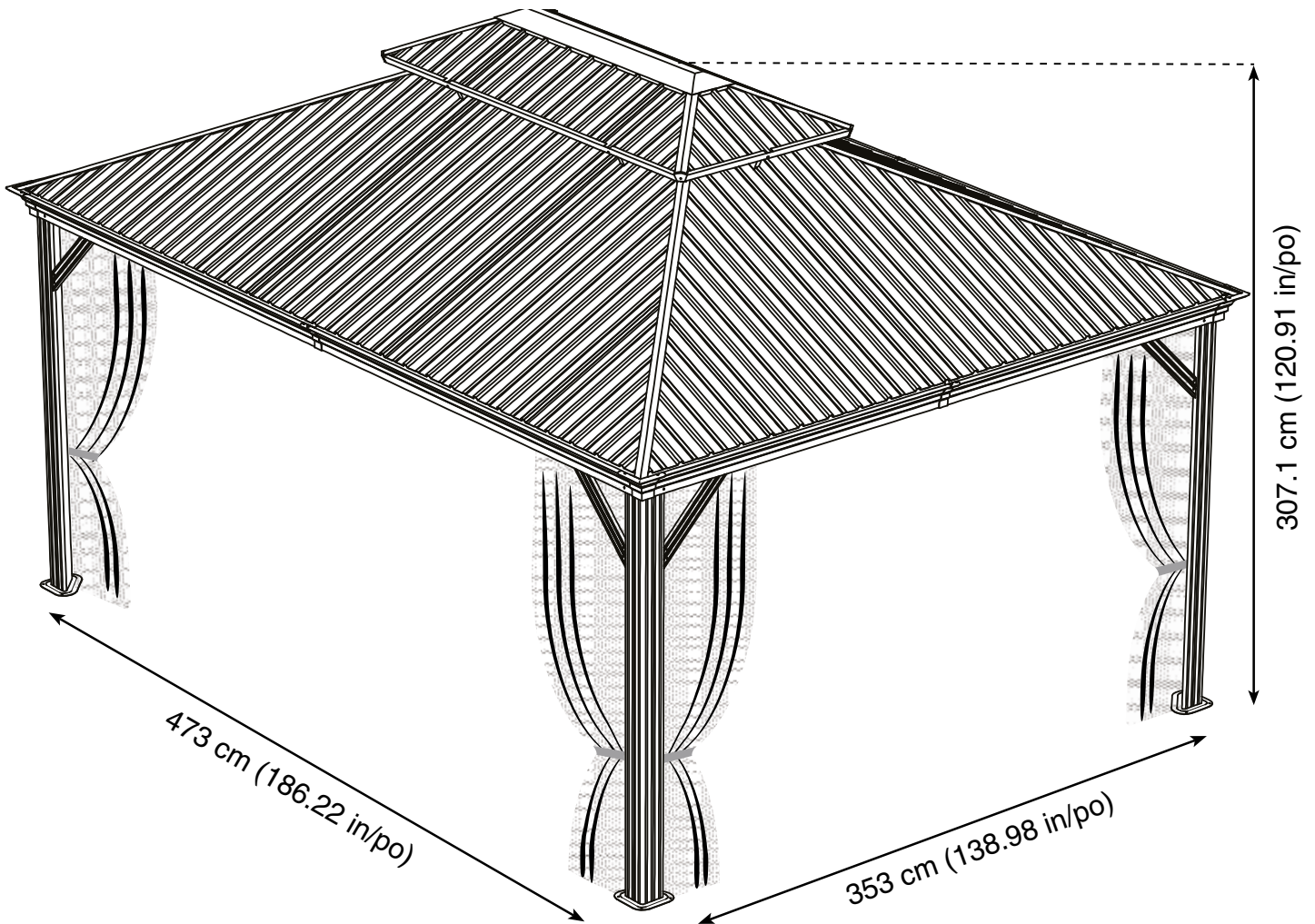


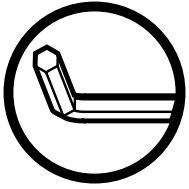
Sojag code: 999-6157666

CUP/UPC code: 7772830157666

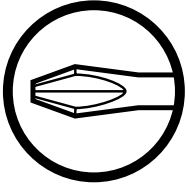
QUESTIONS? 1 855 659-4402

## Assembly Manual / Guide d'assemblage / Manual de ensamblaje / 조립 설명서 / Montageanleitung





Use the hex keys in the box. / Utilisez les clés hexagonales fournies dans la boîte. /  
Utilice las llaves hexagonales en la caja. / 상자에 육각 키를 사용 하십시오. / Verwenden Sie  
die Sechskantschlüssel in der Box.



Please use a phillips screwdriver / Utilisez un tournevis de type Phillips / Por favor,  
use un destornillador Phillips / 십자 드라이버를 사용 하십시오. / Bitte verwenden Sie einen  
Kreuzschraubenzieher.



you may need to use a drill for this step. / vous pouvez avoir besoin d'utiliser une  
perceuse pour cette étape. / puede que tenga que utilizar un taladro para este paso. /  
이 단계에선 드릴을 사용해야 할 수도 있습니다. / Für diesen Schritt können Sie einen  
Bohrer verwenden.



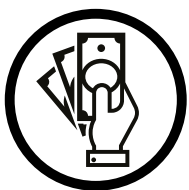
It is recommended to wear protective gloves / Le port de gants de protection est recommandé /  
El uso de guantes de protección se recomienda / 보호 장갑을 착용 하는 것이 좋습니다. /  
Das Tragen von Schutzhandschuhen wird empfohlen.



Two or more people are required at this stage. / Deux personnes ou plus sont nécessaires à cette  
étape. / Dos o más personas se requieren en esta etapa. / 이 단계에서는 두 명 이상이 필요합니다. /  
Für diesen Bauschritt sind 2 oder mehr Personen erforderlich.

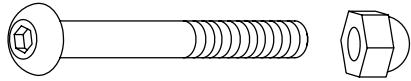


Do not screw firmly for now. / Ne pas visser fermement pour l'instant. / No atornille con  
firmeza por ahora. / 아직 나사를 단단히 조이지 마십시오. / Bitte die Schrauben zum  
jetzigen Zeitpunkt noch nicht fest anziehen.

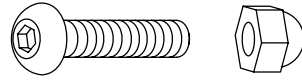


Sold in options / Vendus en options / vendido en las opciones /  
옵션 판매 / Optional erhältlich

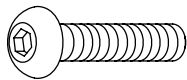
**S** X 28 (+2)



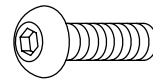
**T** X 90 (+9)



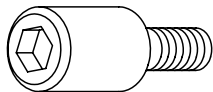
**U** X 19 (+3)



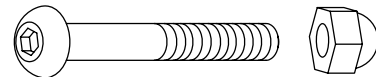
**V** X 266 (+10)



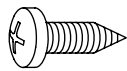
**X** X 16 (+2)



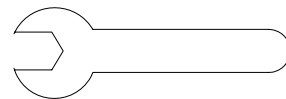
**X1** X 4 (+2)



**Y** X 24 (+5)



**W2** X 1

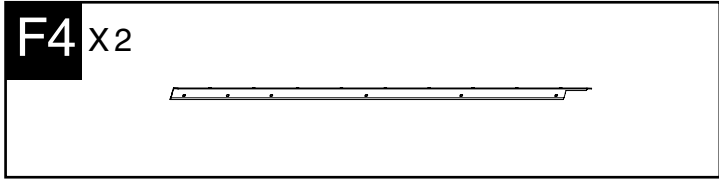
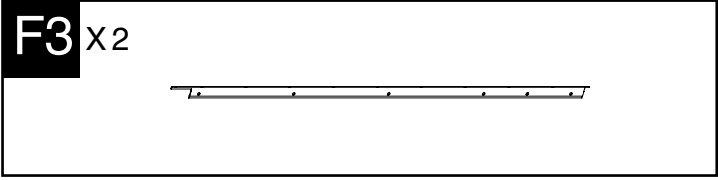
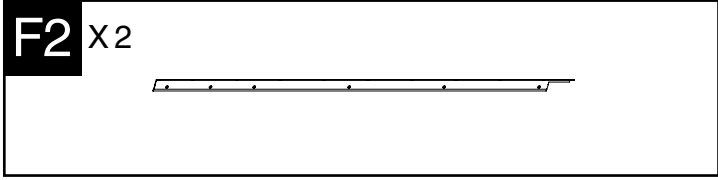
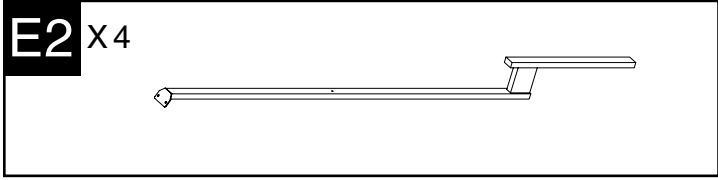
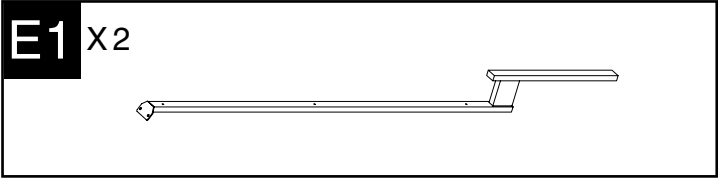
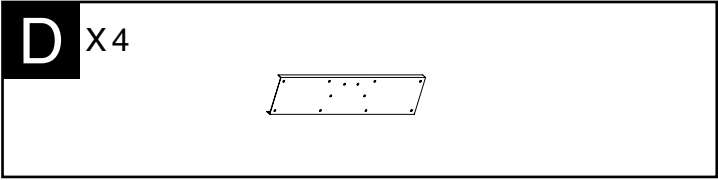
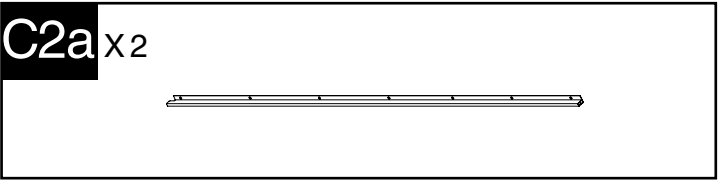
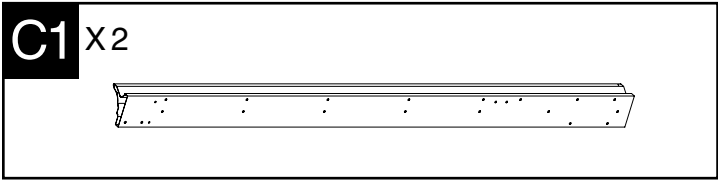
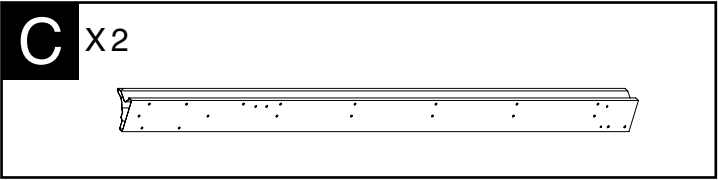
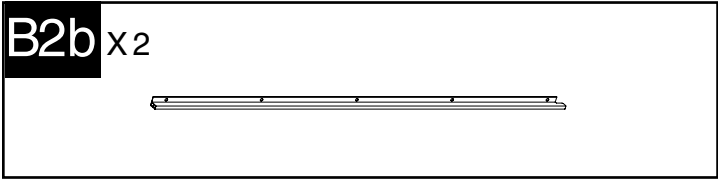
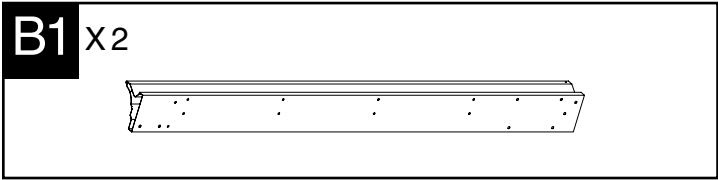
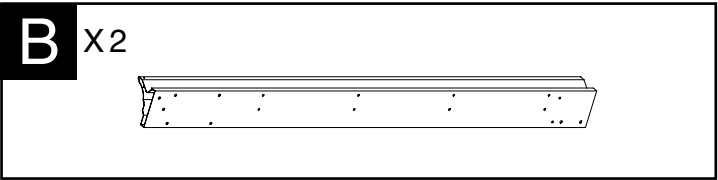
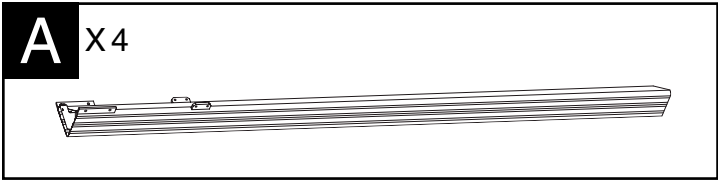







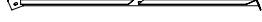

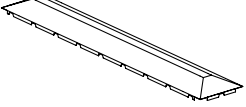
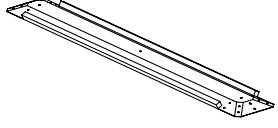




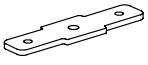




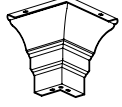

**Wa** X 2

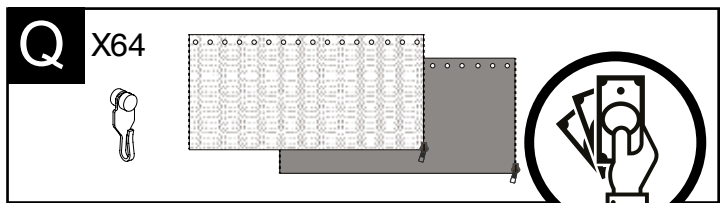
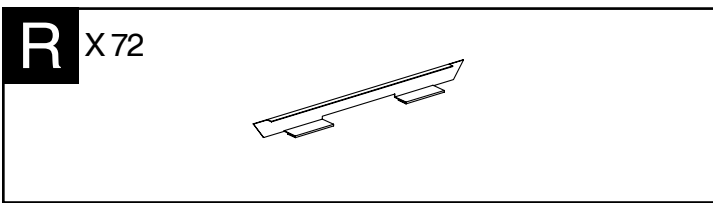
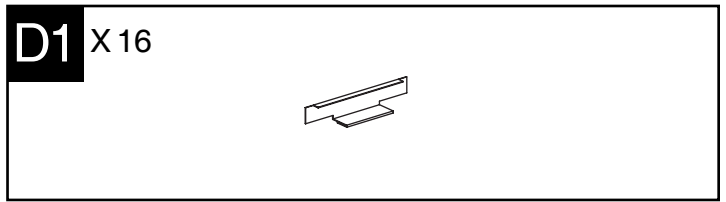
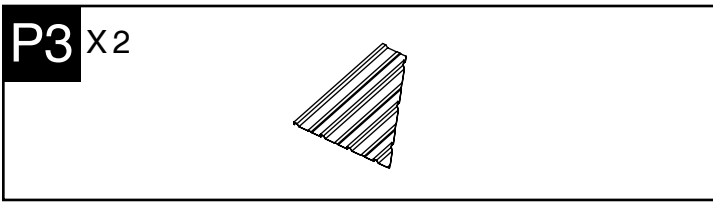
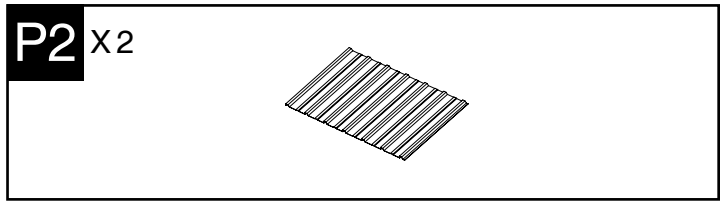
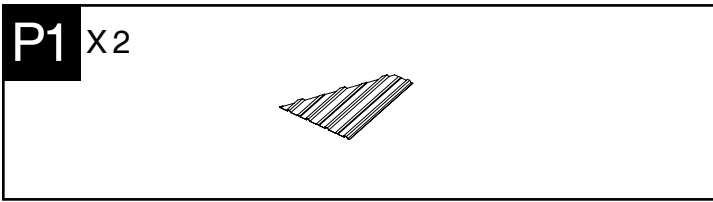
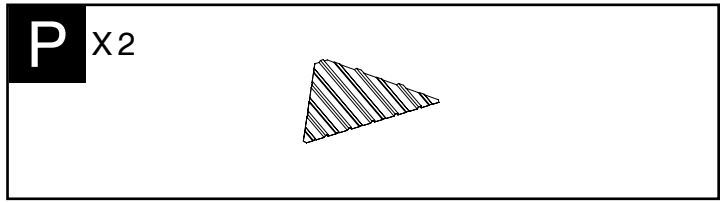
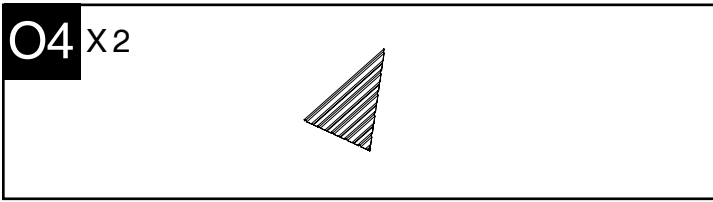
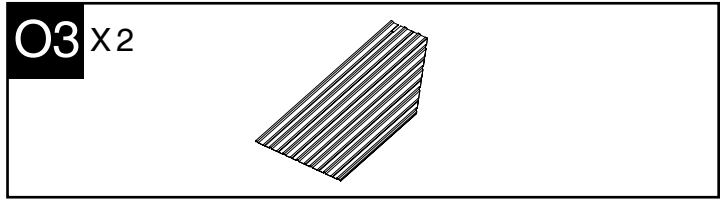
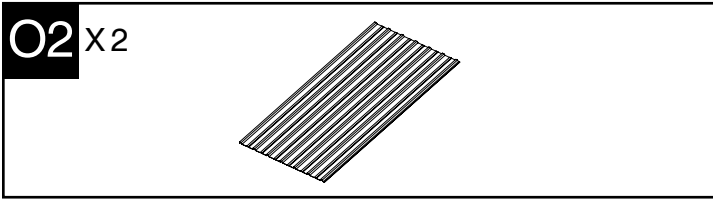
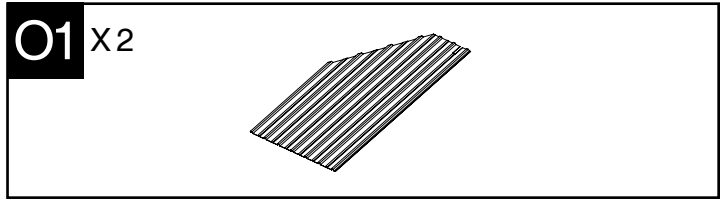
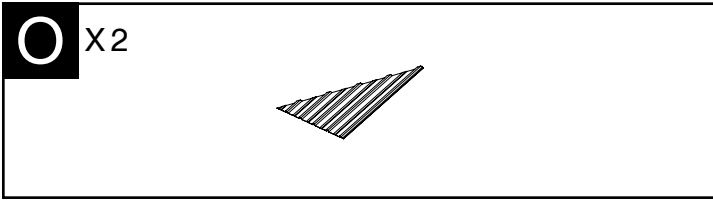
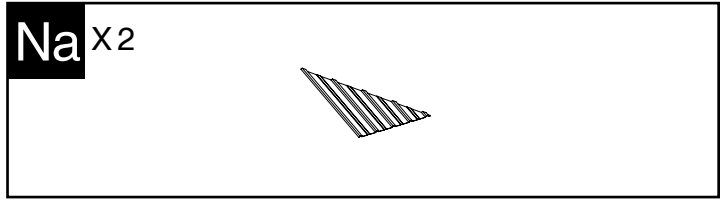
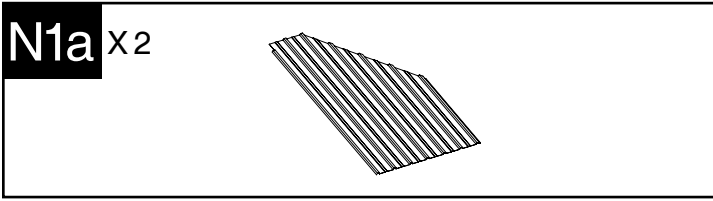
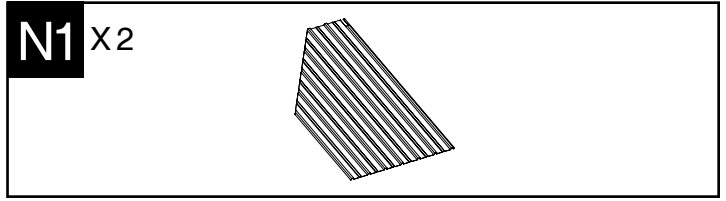
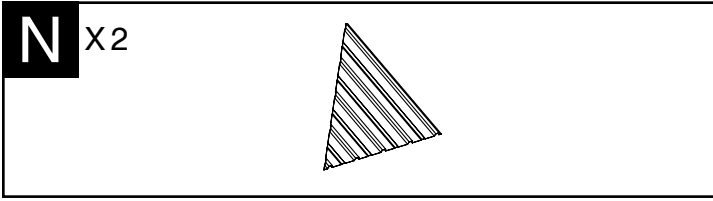


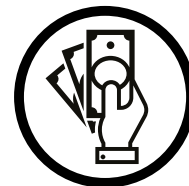
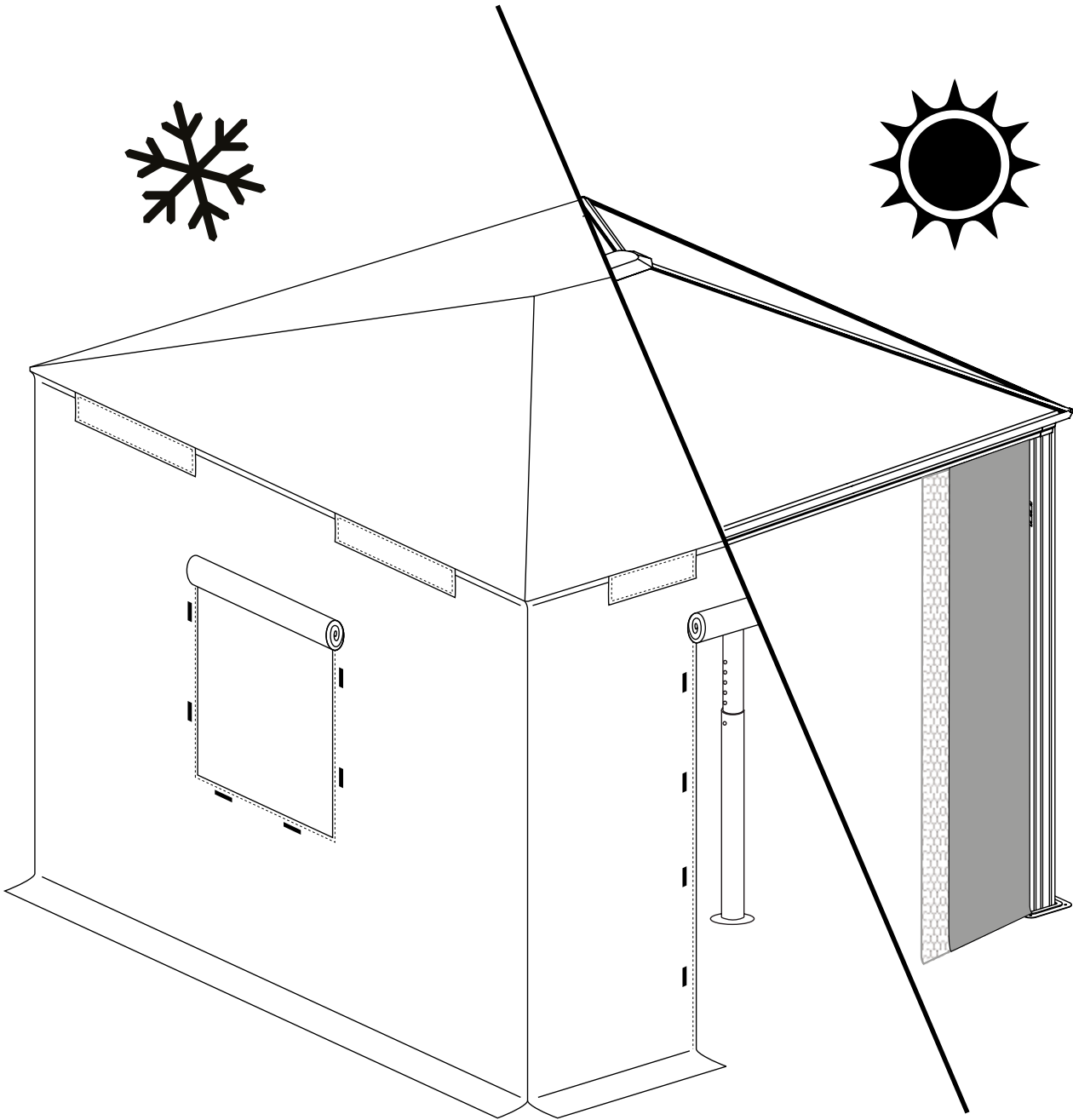
**Z** X 1

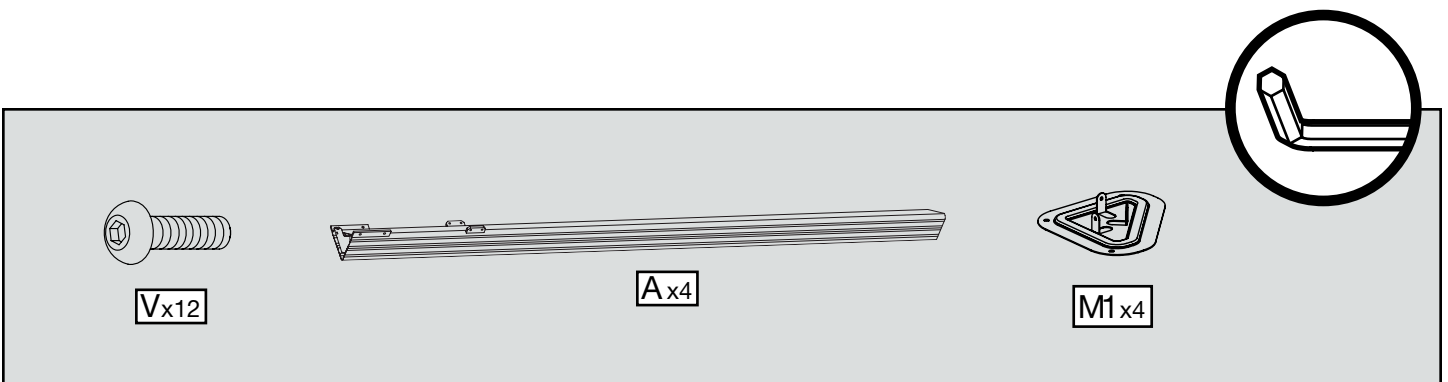
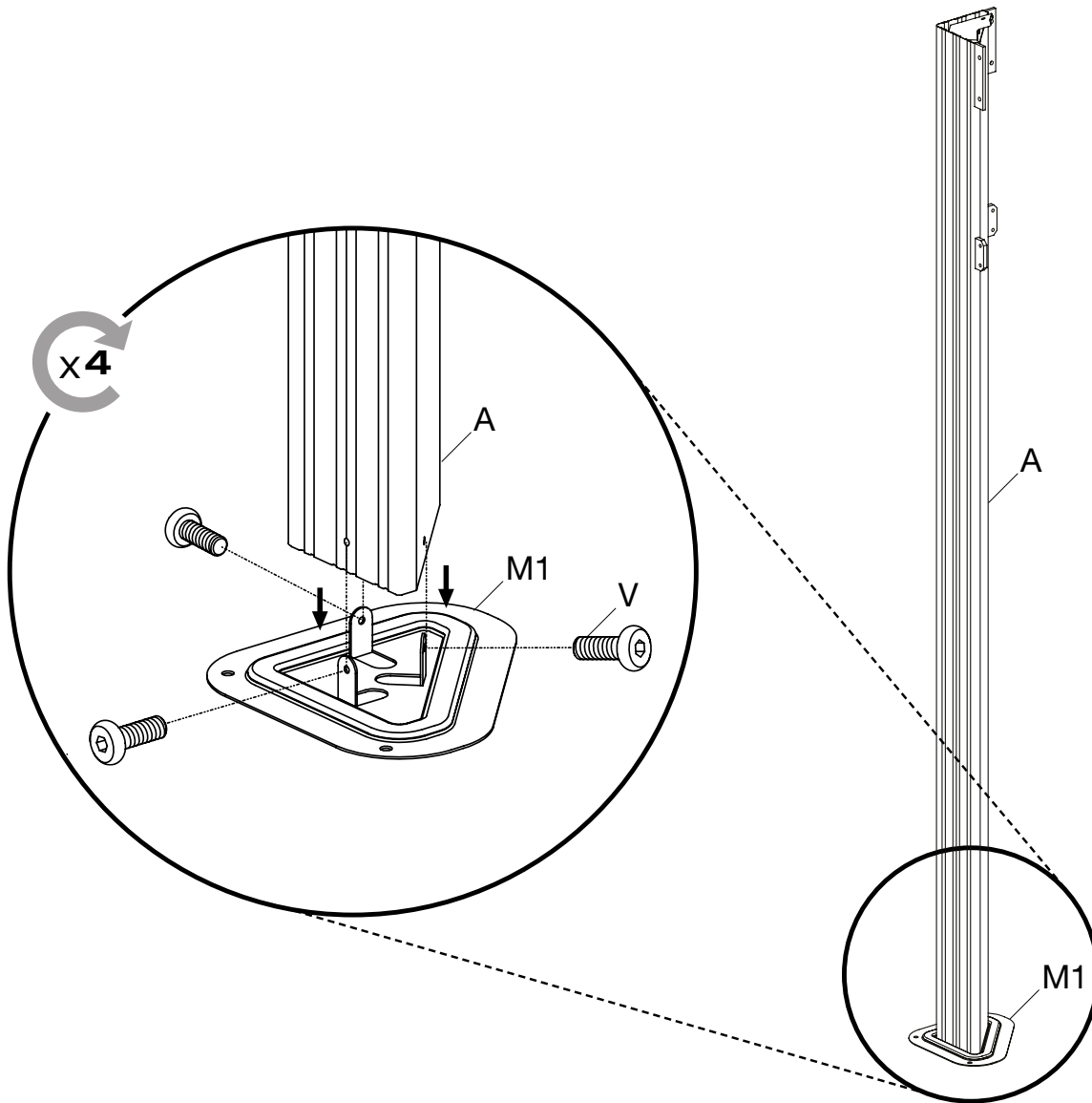




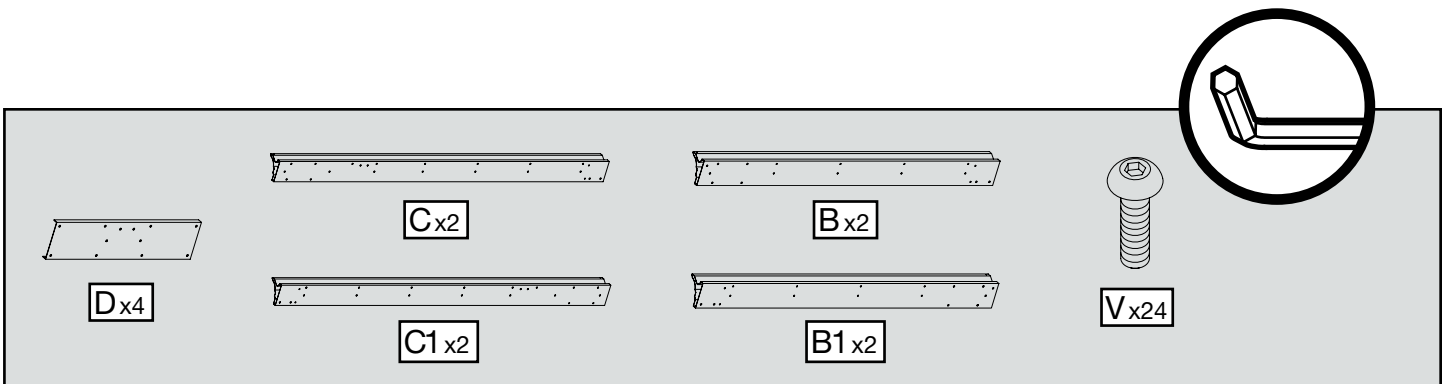
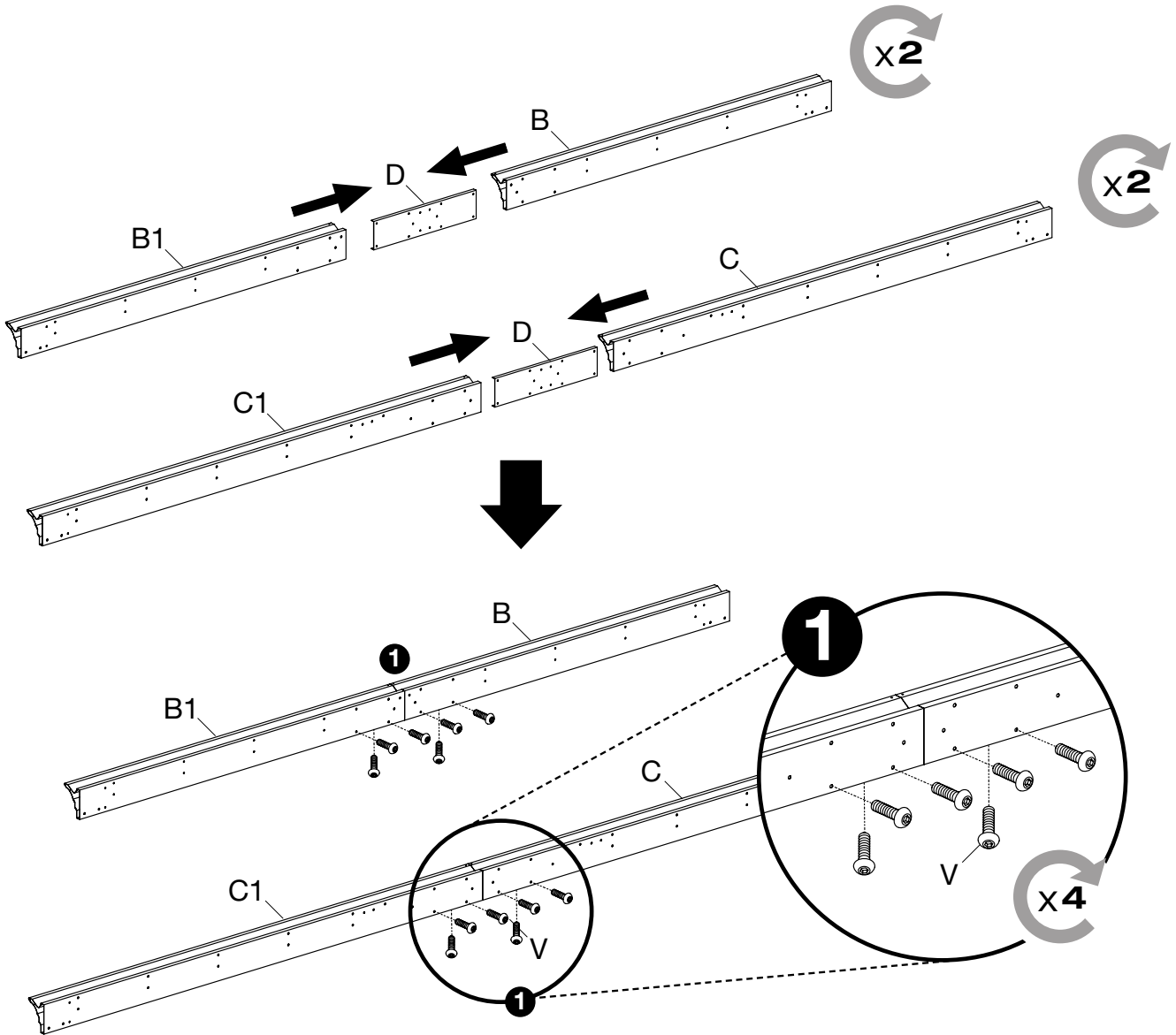
<b>F5</b> X2 	<b>G</b> X2 
<b>G1</b> X2 	<b>H</b> X4 
<b>I</b> X4 	<b>J</b> X2 
<b>J1</b> X2 	<b>K</b> X1 
<b>K1</b> X1 	<b>L1</b> X4 
<b>L2</b> X4 	<b>M1</b> X4 
<b>M2</b> X8 	<b>M3</b> X6 
<b>M4</b> X4 	<b>M5</b> X124 
<b>R1</b> X2 	<b>R2</b> X2 
<b>W</b> X4 	<b>W1</b> X4 

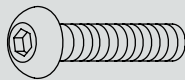
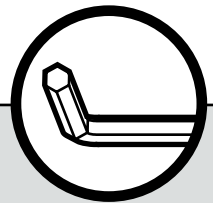
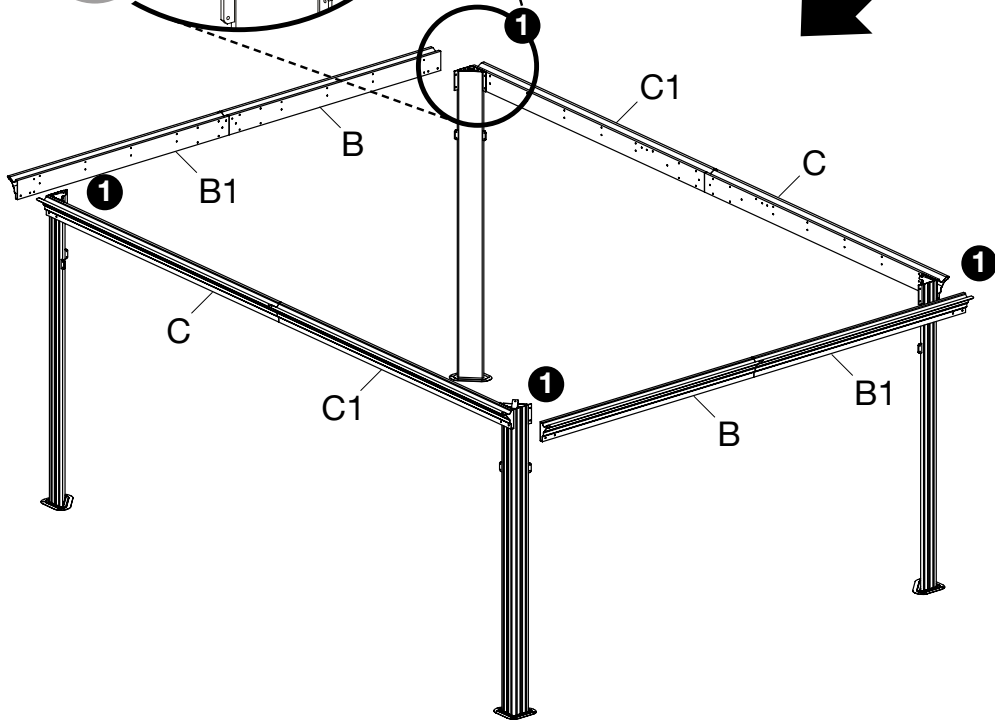
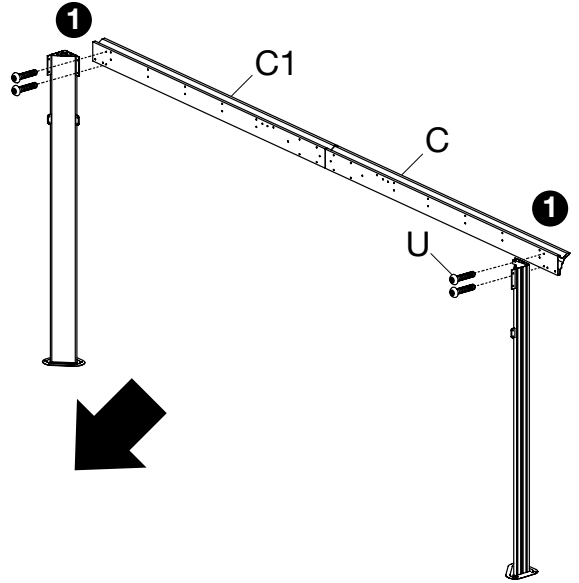
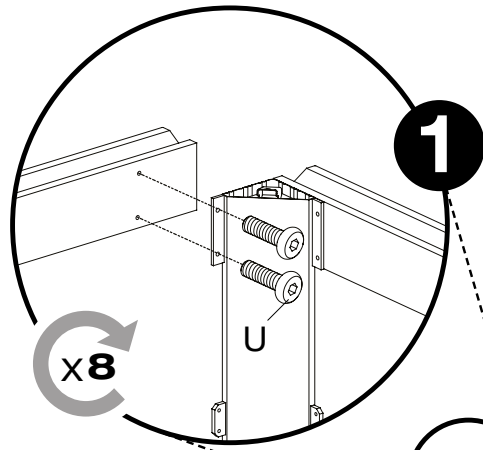




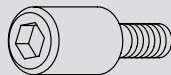
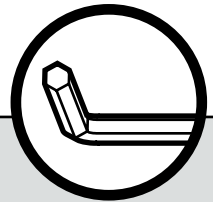
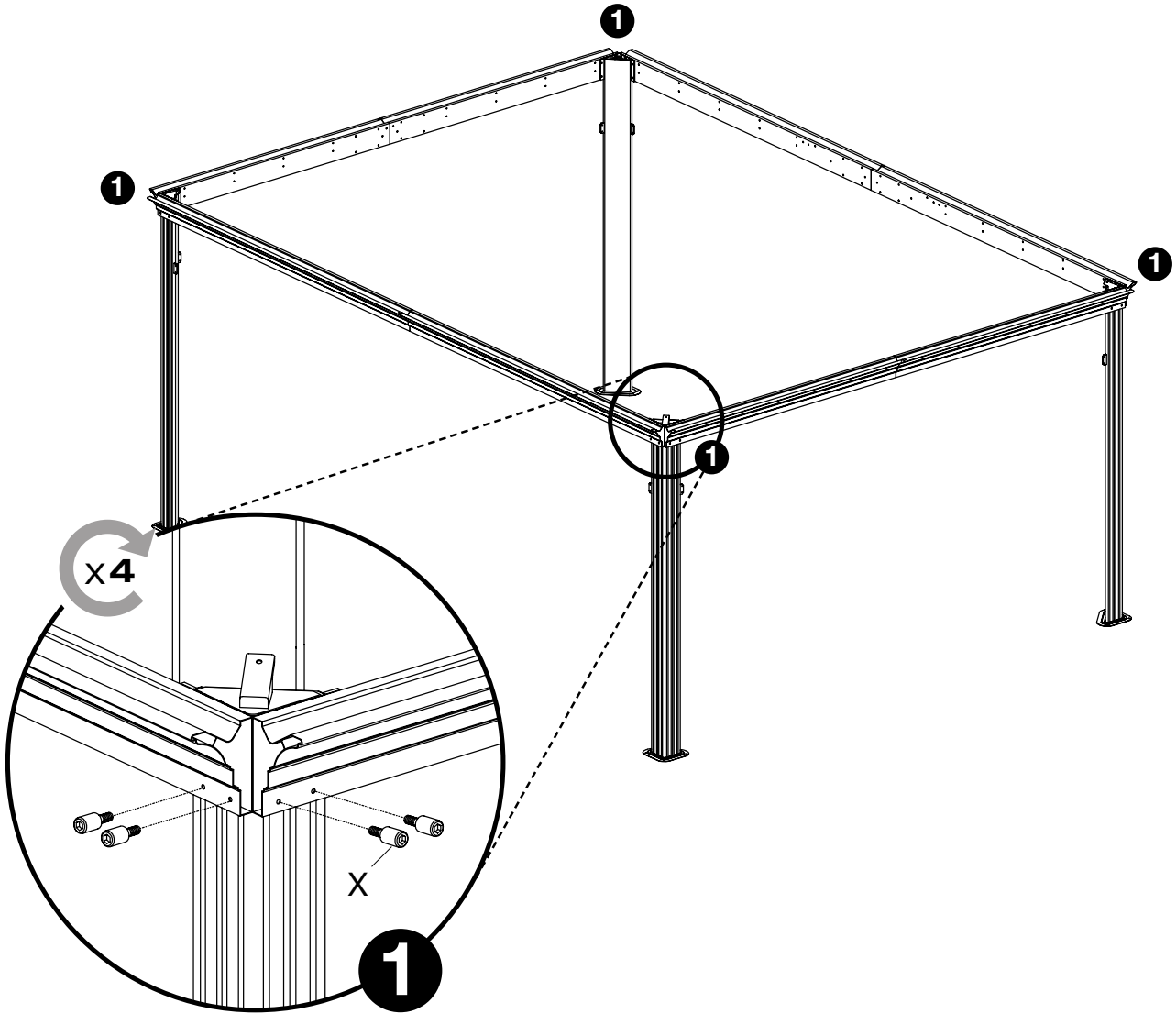




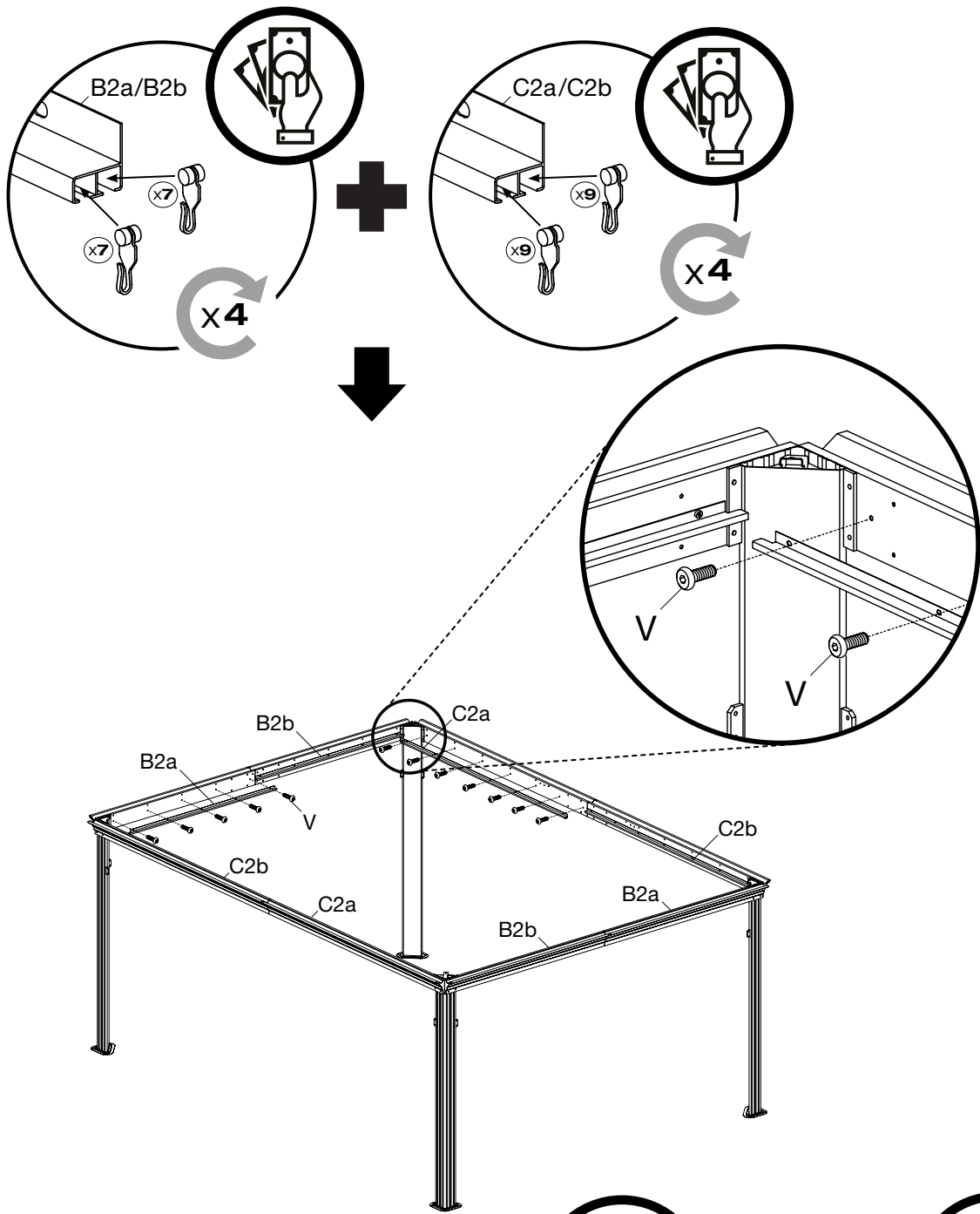




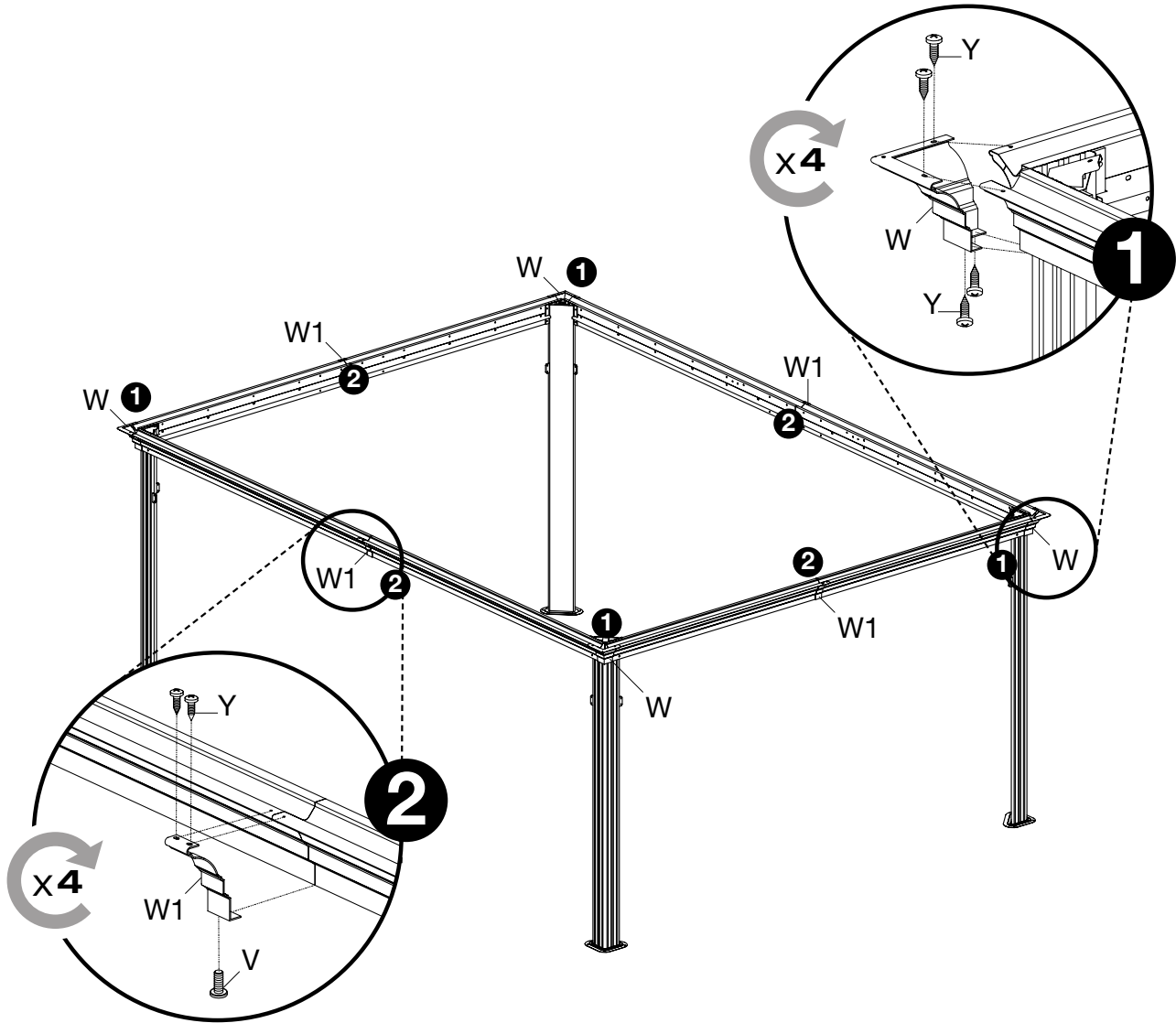
U x16



Xx16



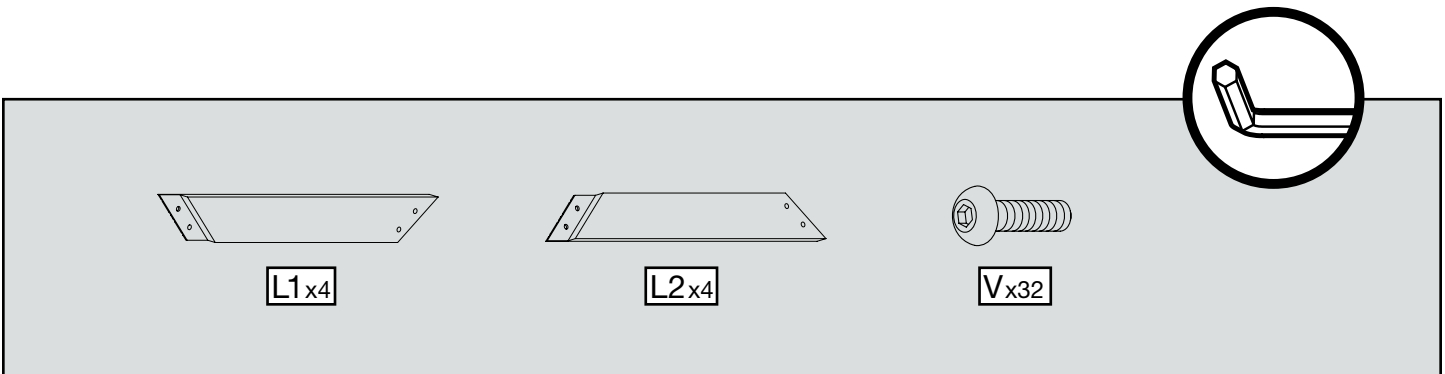
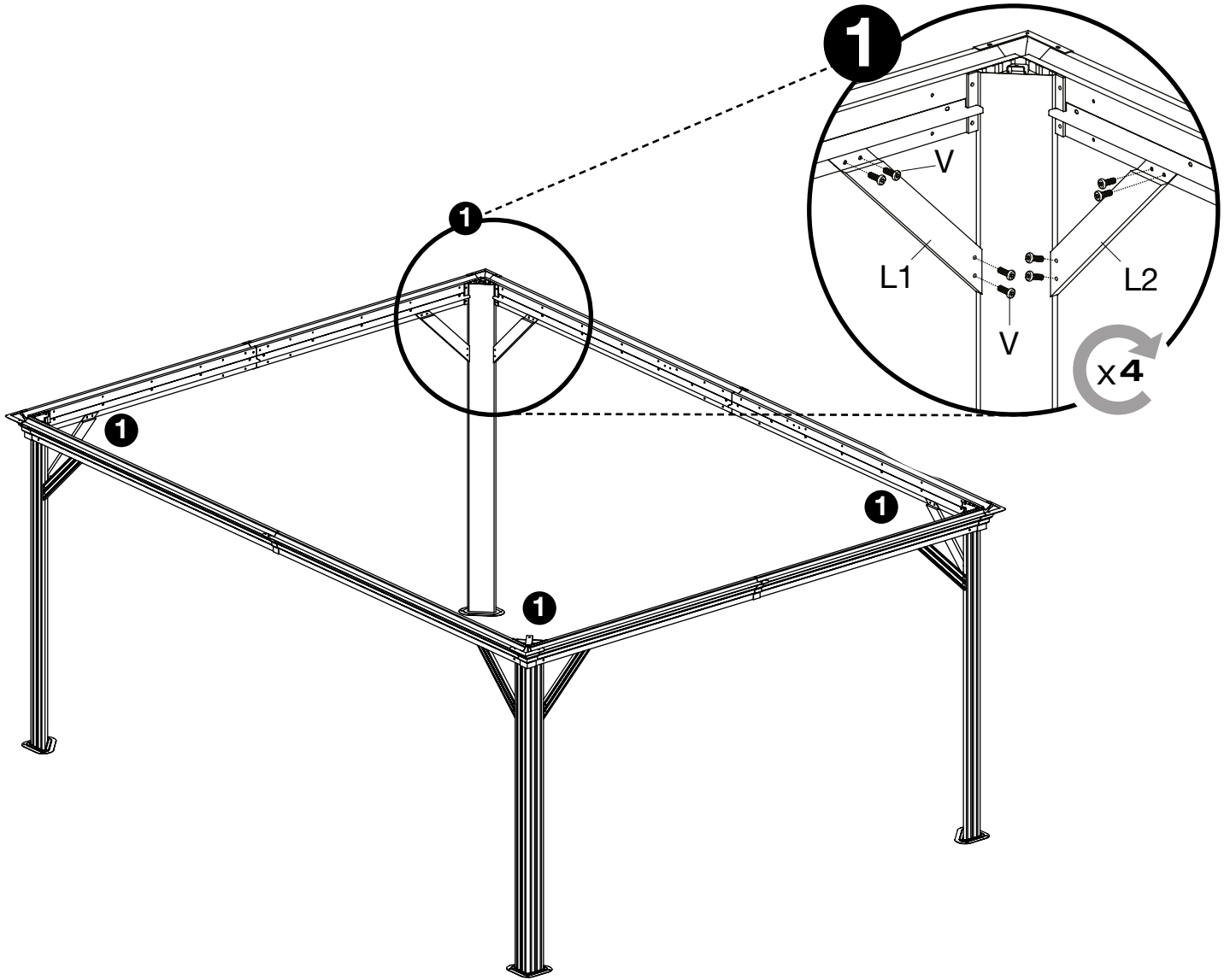
 B2a x2	 C2a x2	 V x48	 Q X64	 
 B2b x2	 C2b x2			

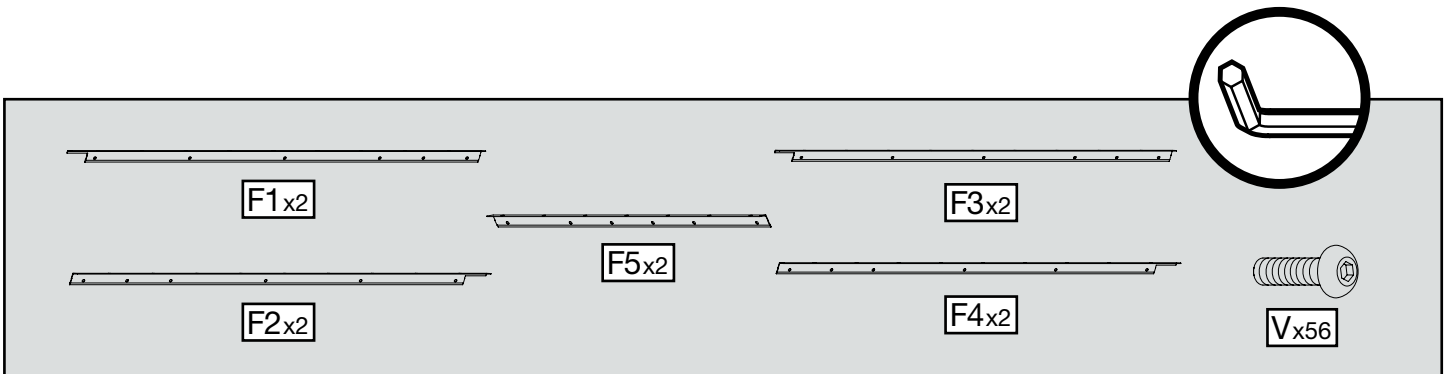
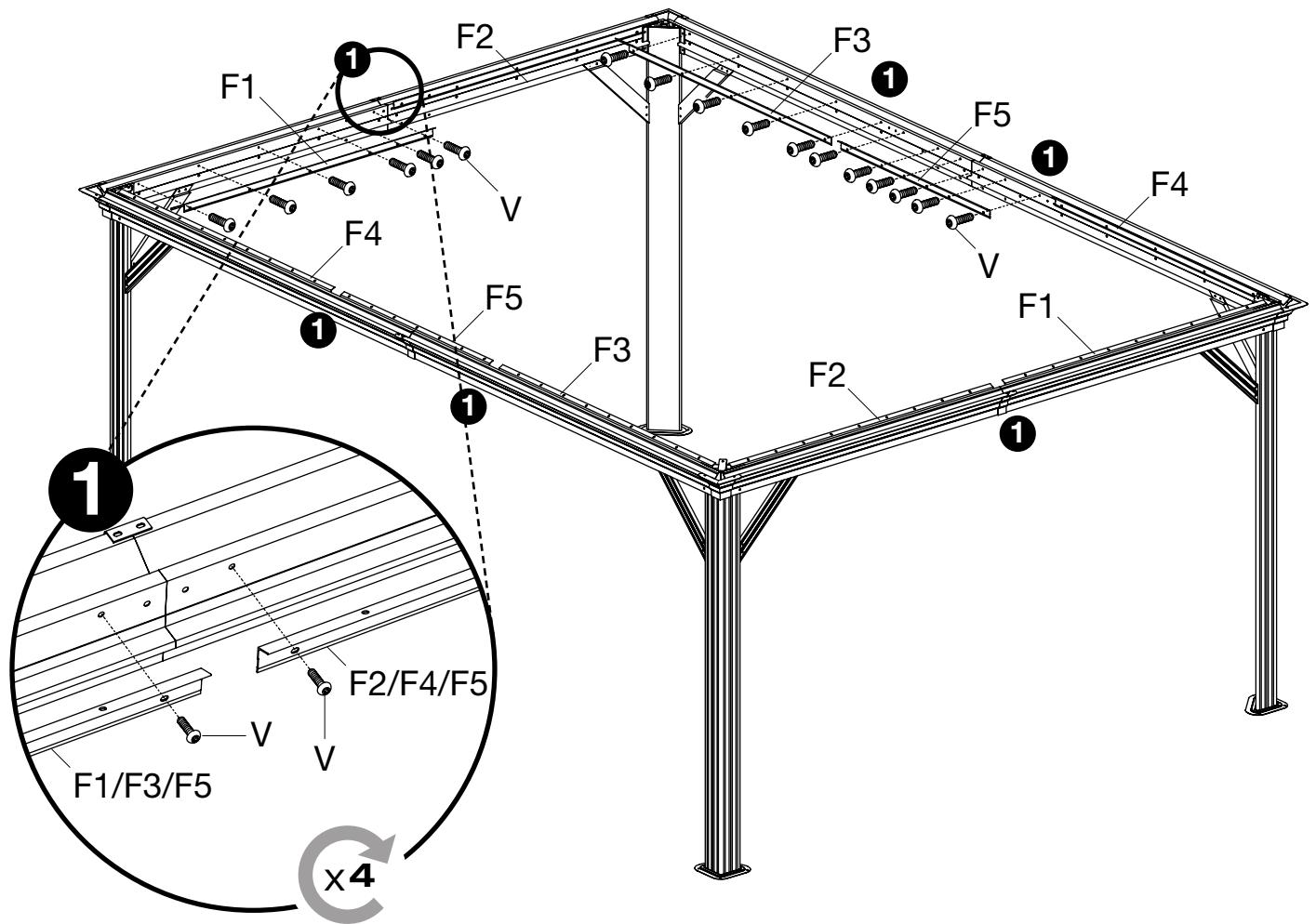


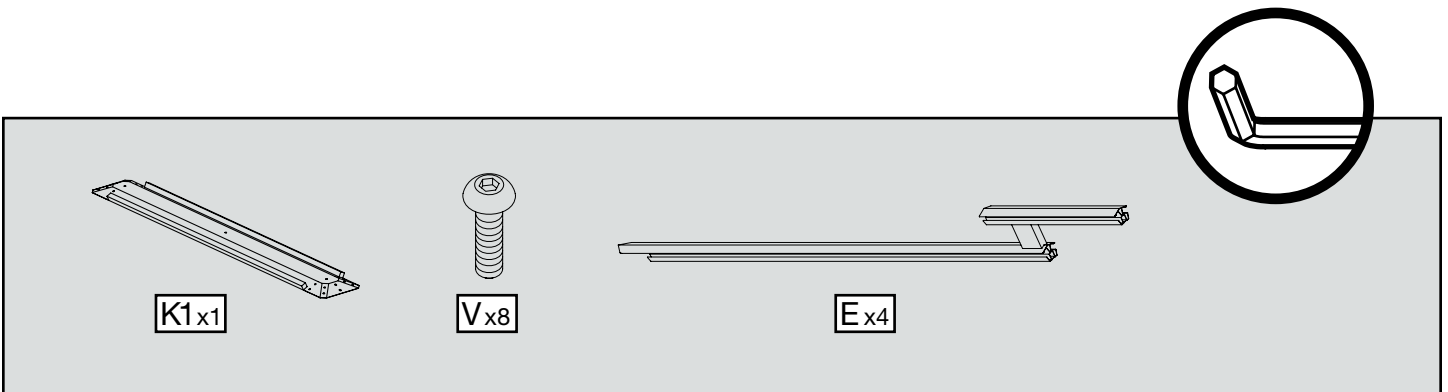
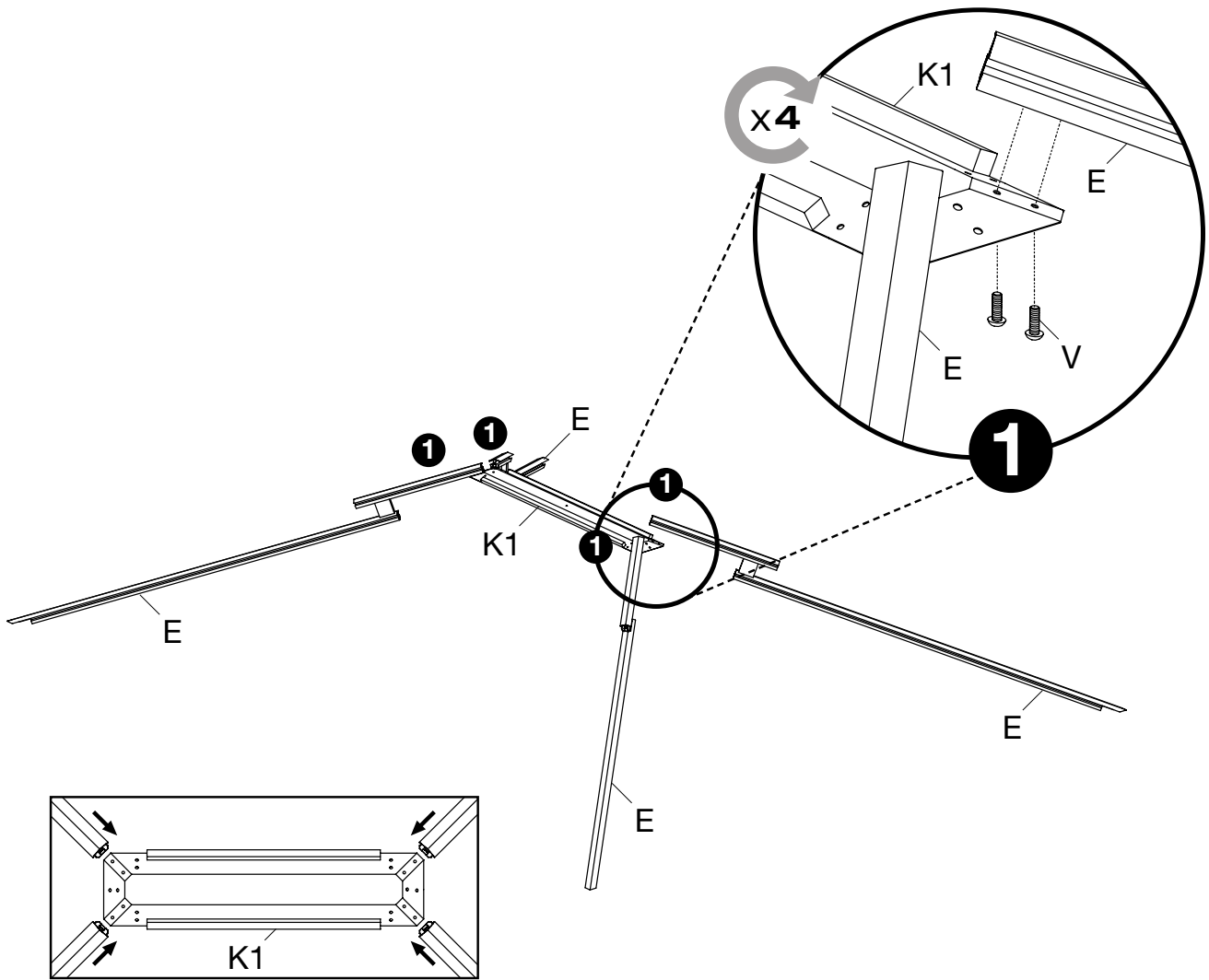
This section contains a parts list and tool icons. The parts list includes:

- W<sub>x4</sub>: A corner joint component.
- W1<sub>x4</sub>: A horizontal beam component.
- V<sub>x4</sub>: A screw used for attaching beams.
- Y<sub>x24</sub>: Screws used for attaching legs.

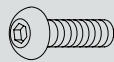
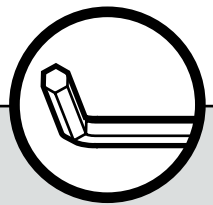
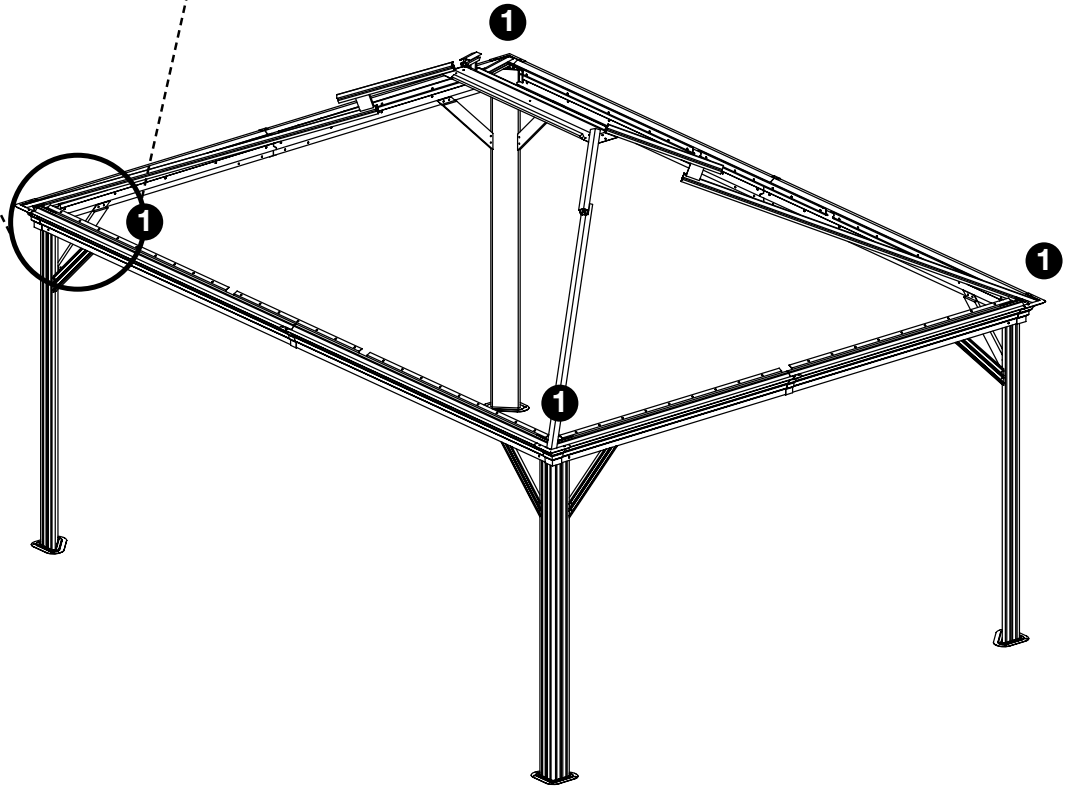
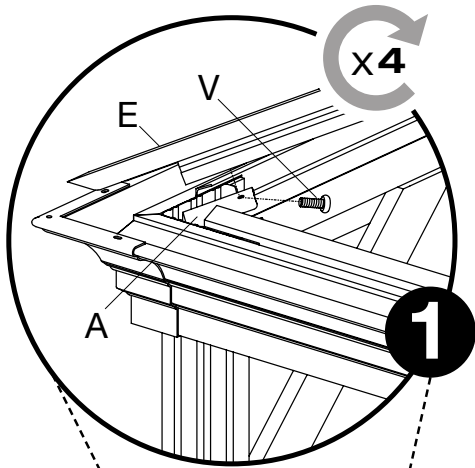
Two circular icons show a hex key and a flathead screwdriver.



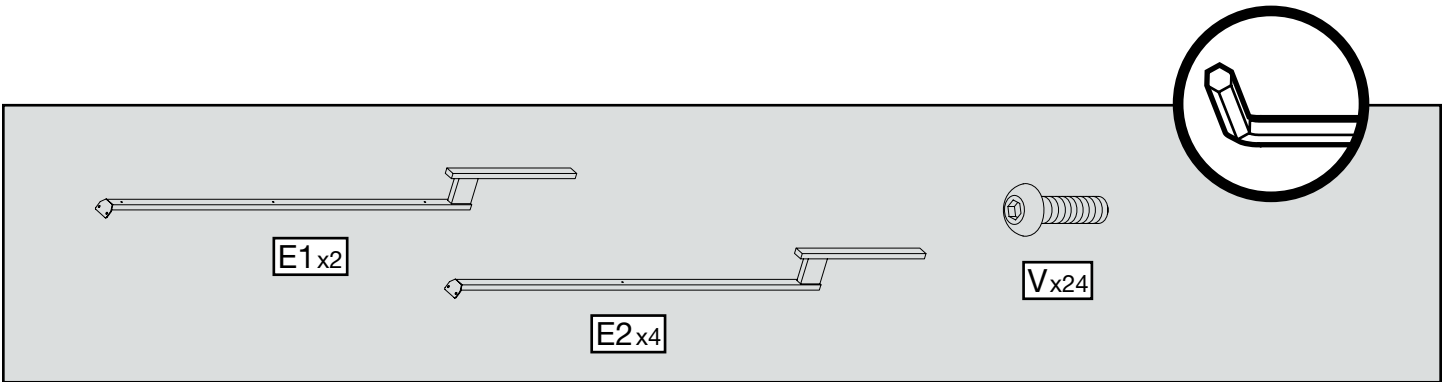
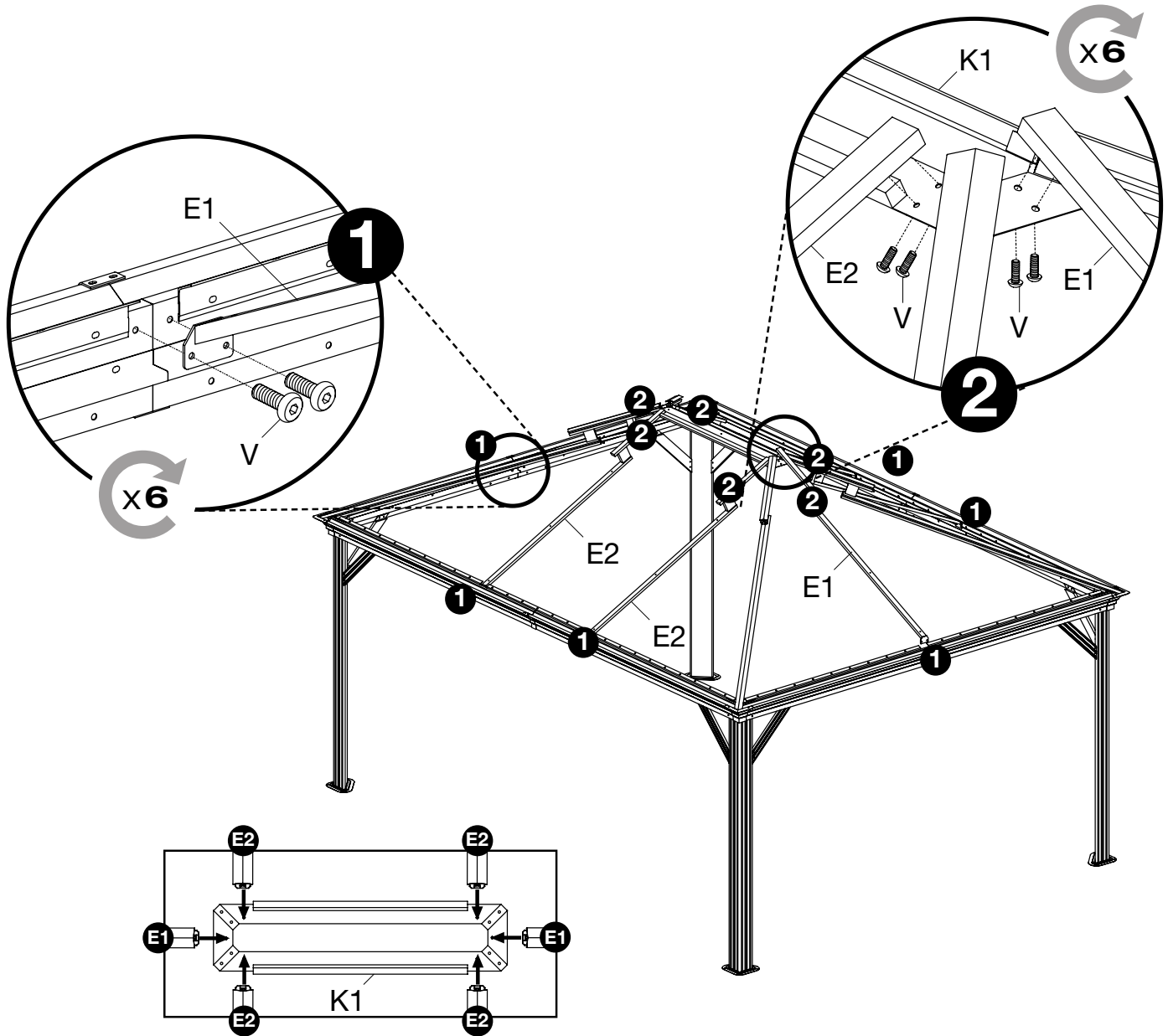


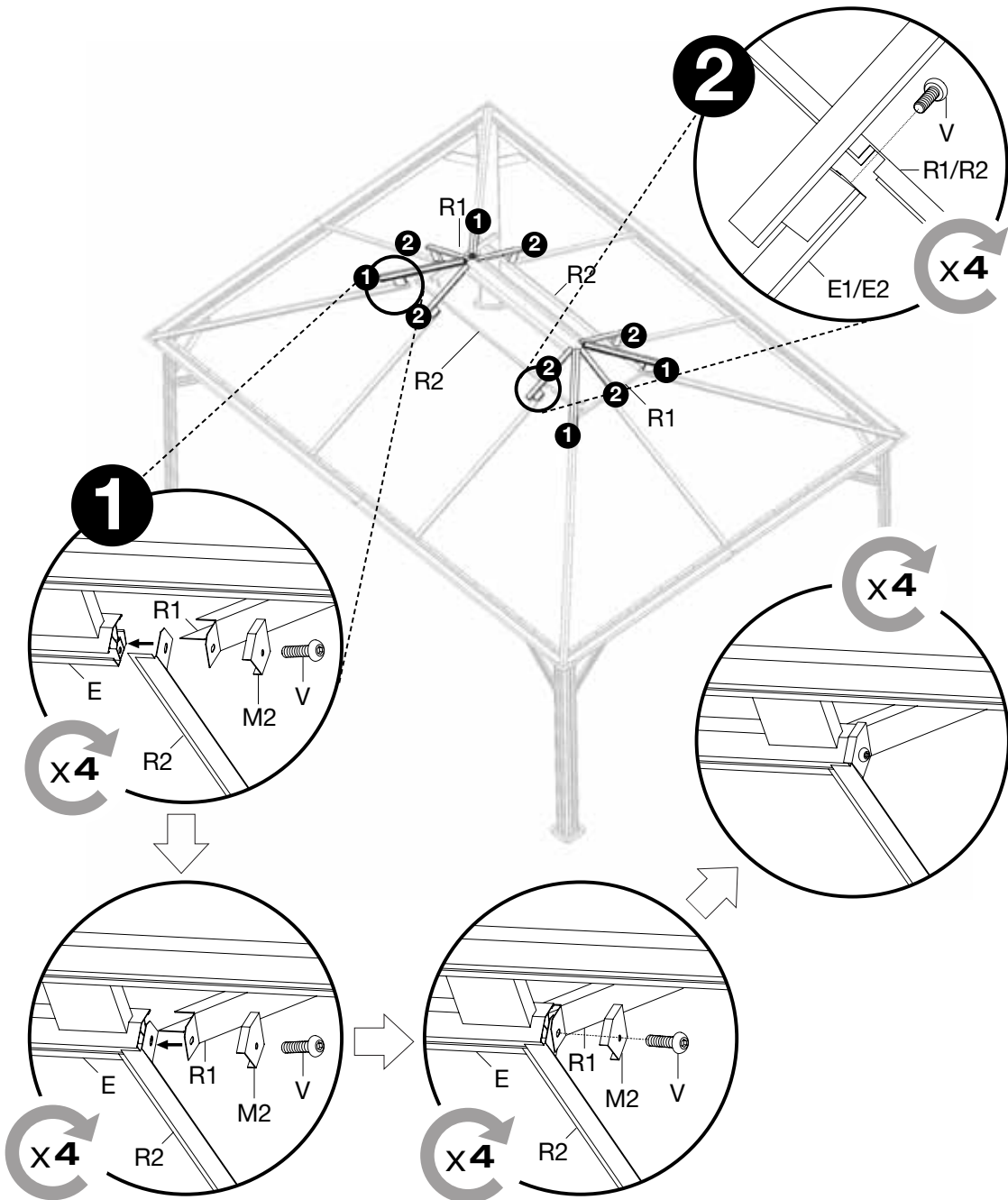






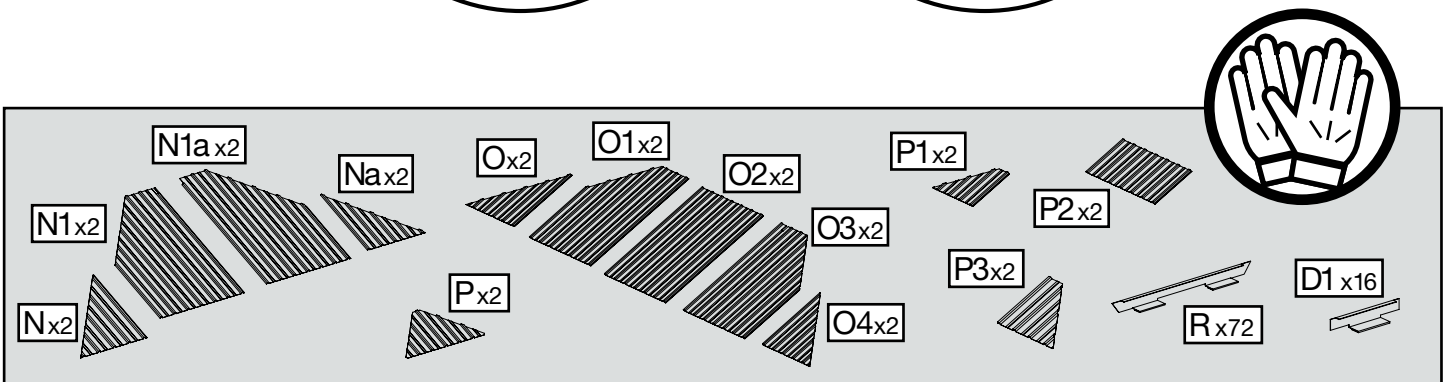
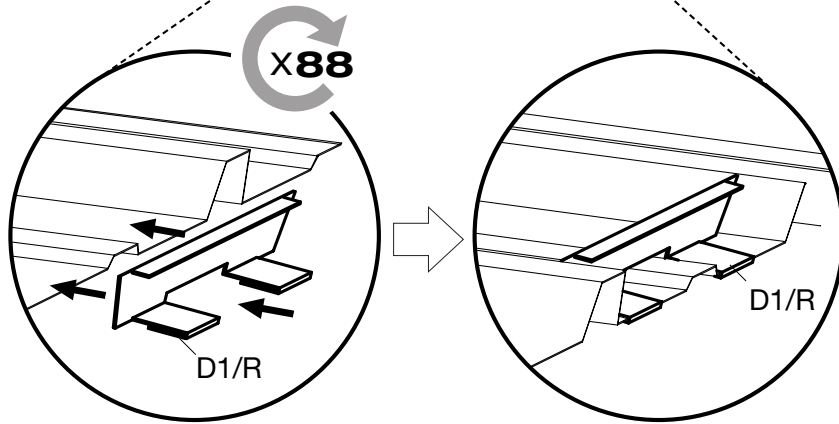
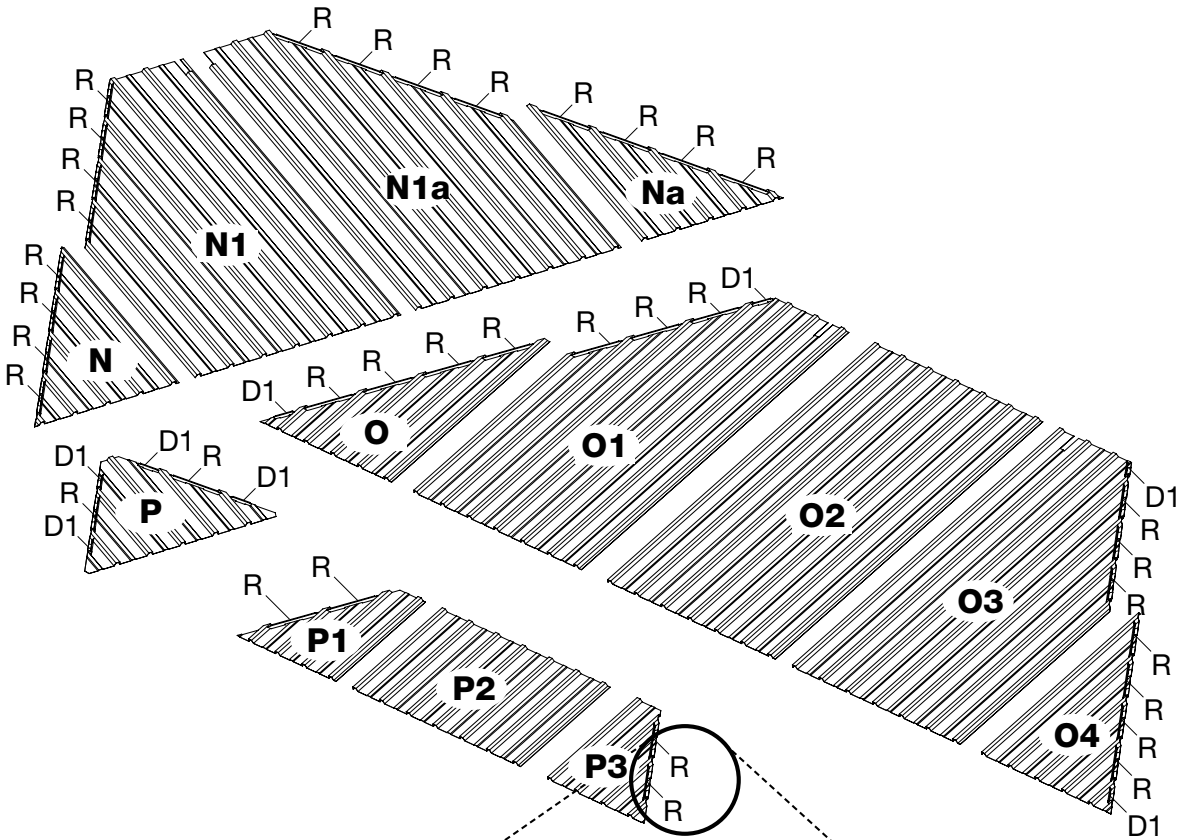
Vx4

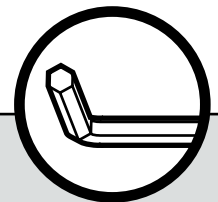
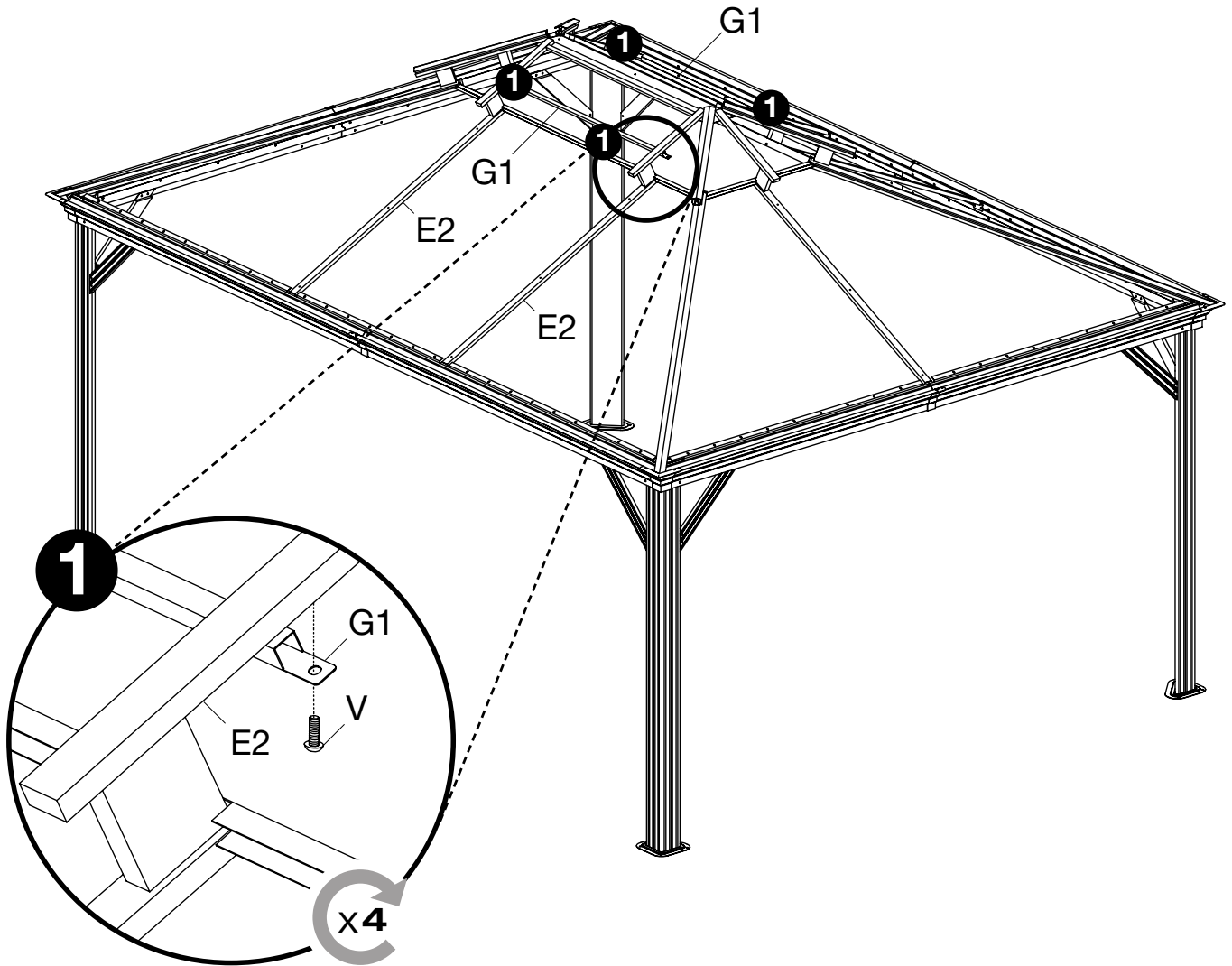




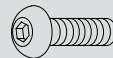
Parts list section showing dimensions and quantities for R1, R2, M2, and V components. It includes a circular icon of a bolt and nut assembly.

- R1x2
- R2x2
- M2x4
- Vx10

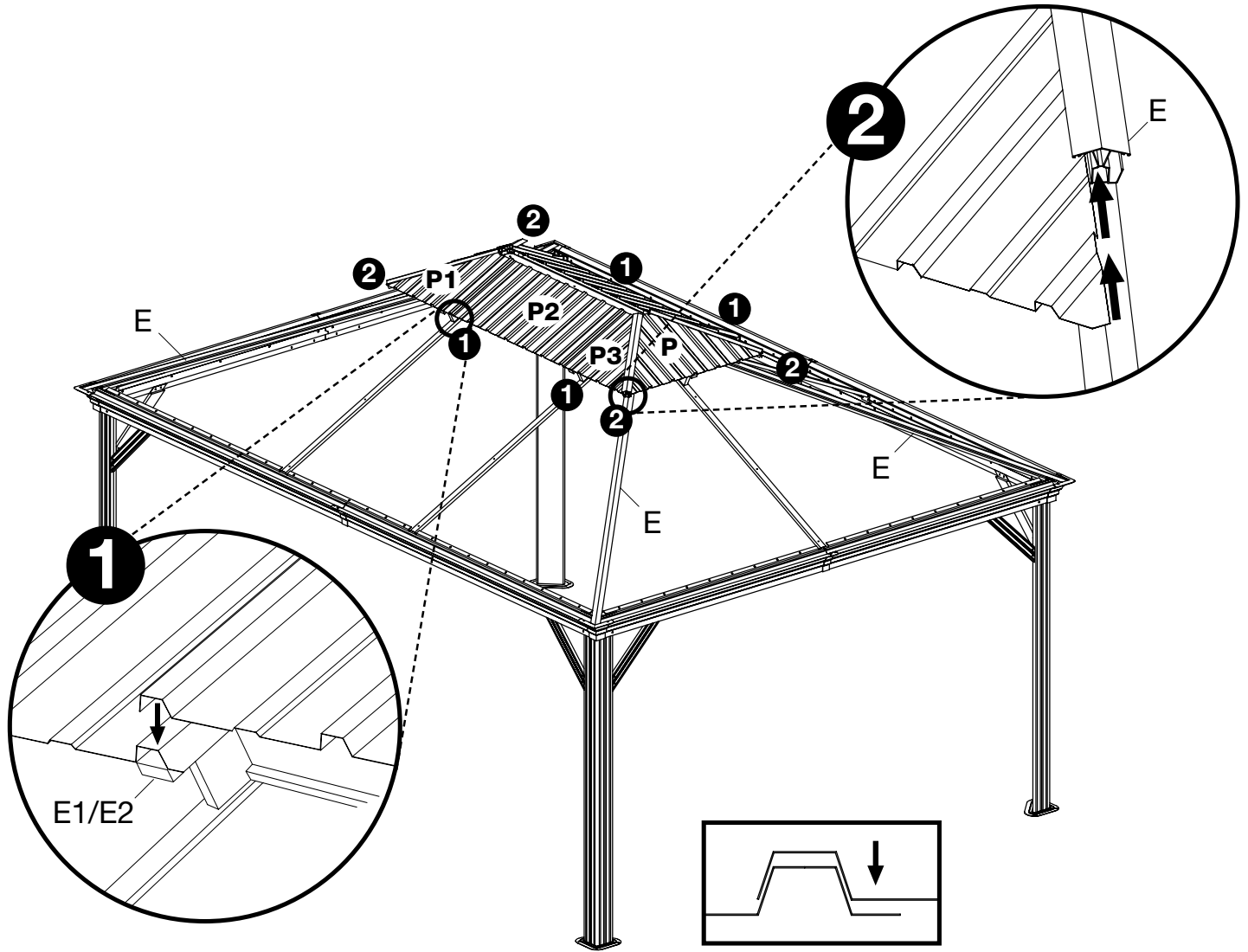




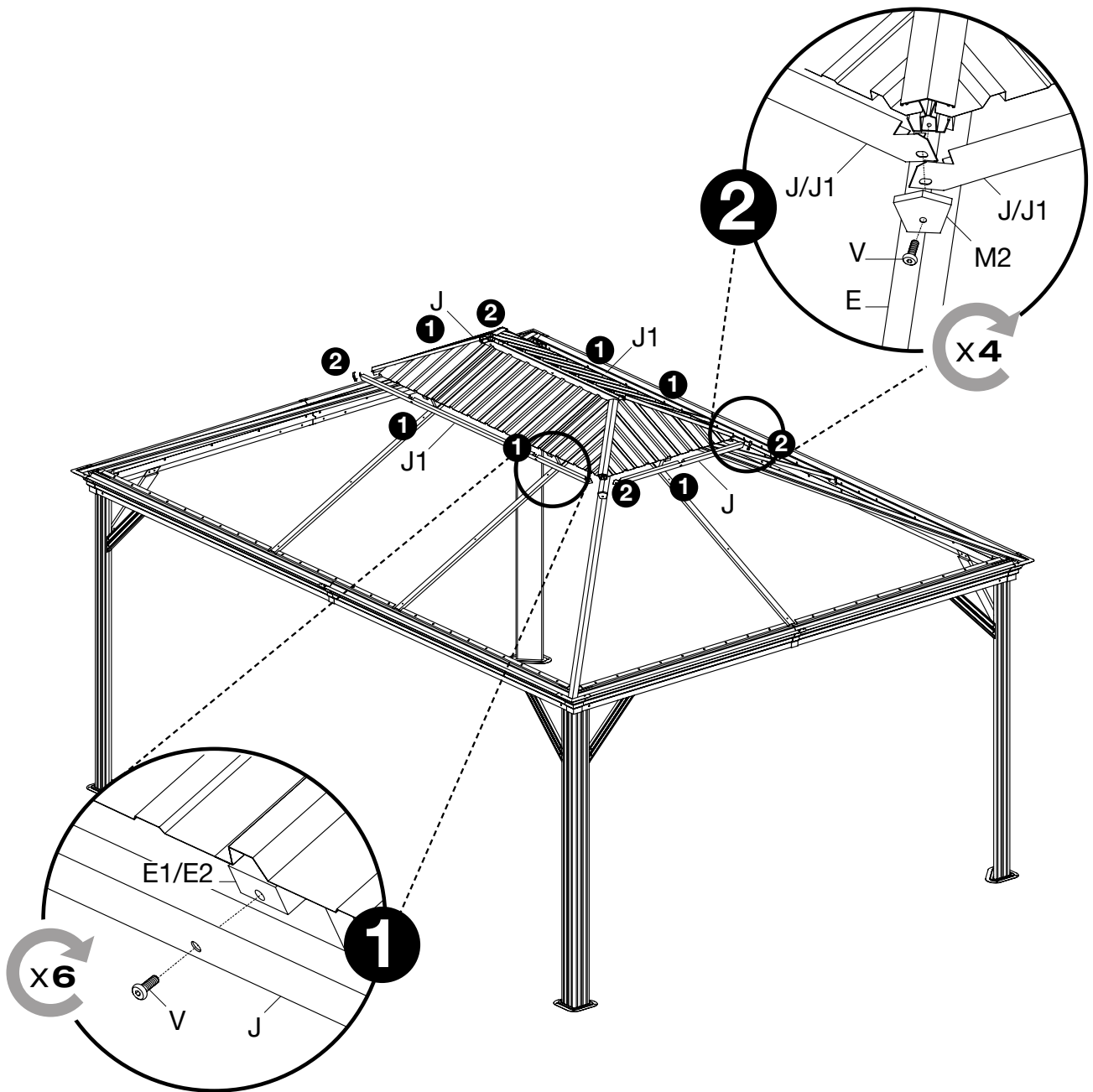
G1x2



Vx4



A parts list section containing four items: **P1x2**, **P2x2**, **P3x2**, and **Px2**. Each item is accompanied by a small illustration of the corresponding part. To the right of the parts list is a circular icon showing a pair of hands, indicating a safety or handling instruction.

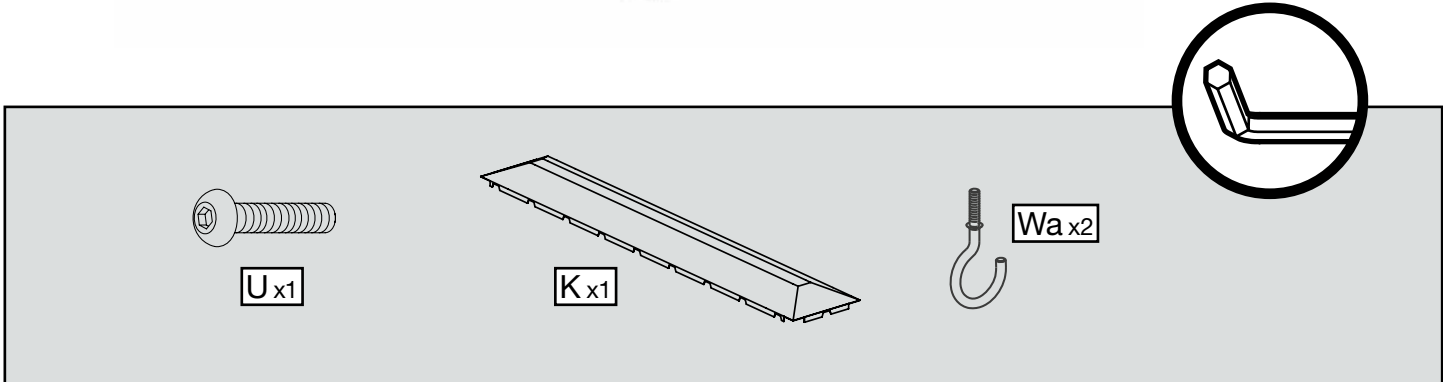
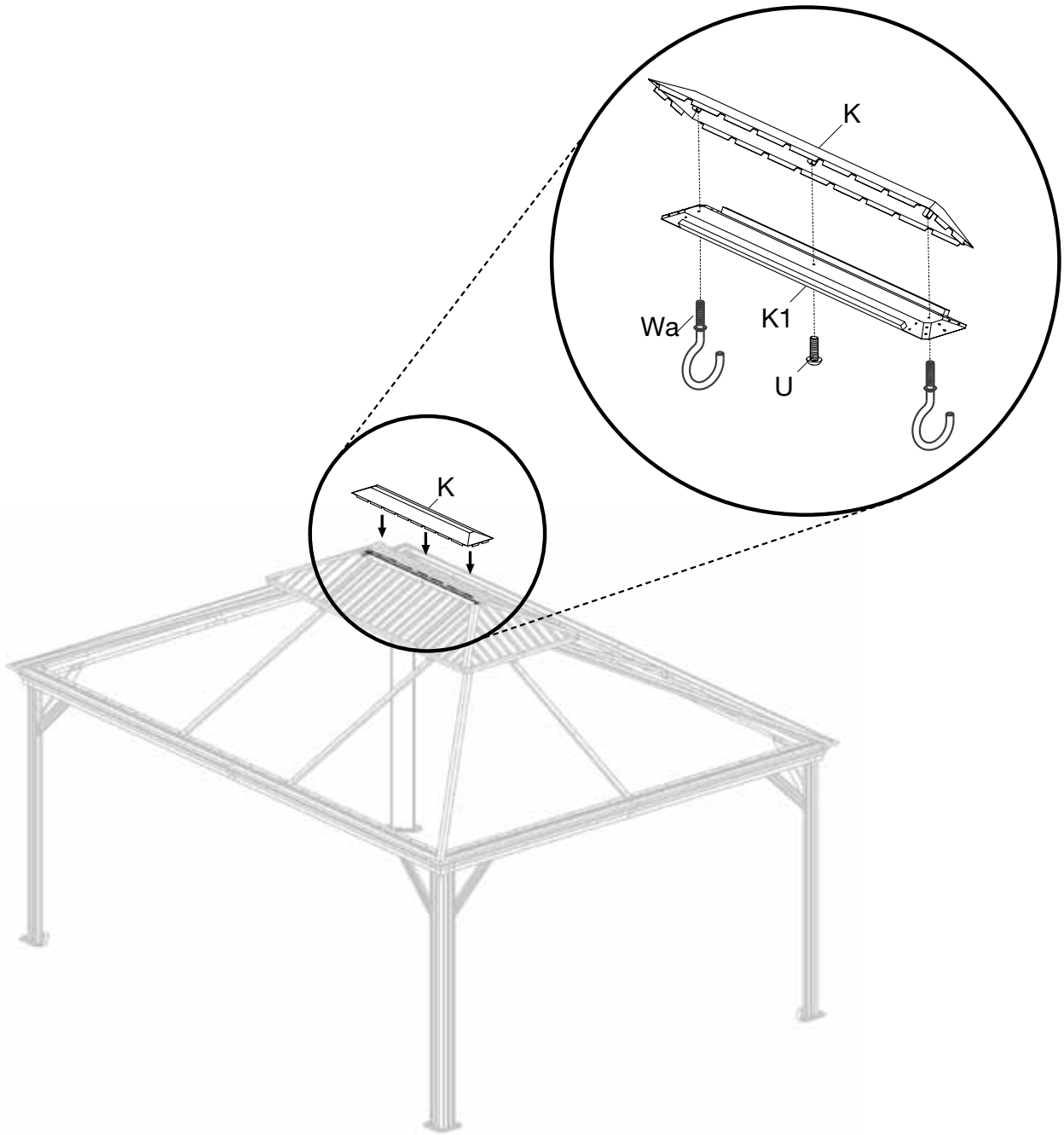


Jx2

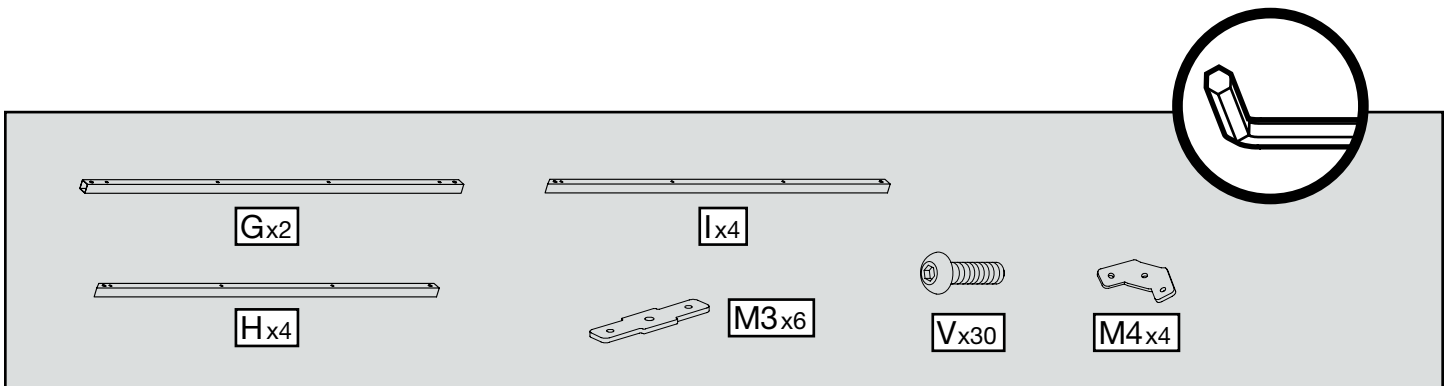
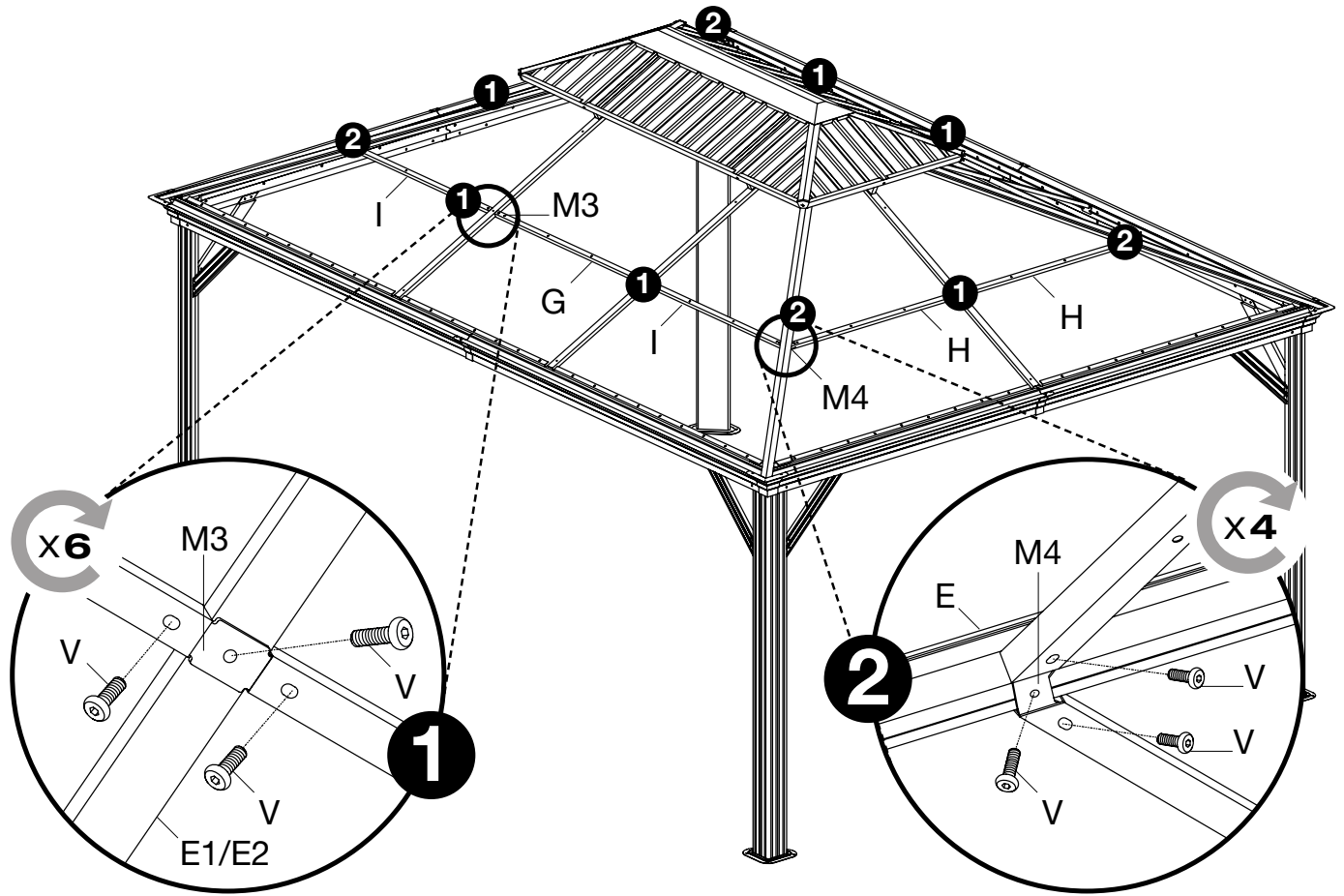
J1x2

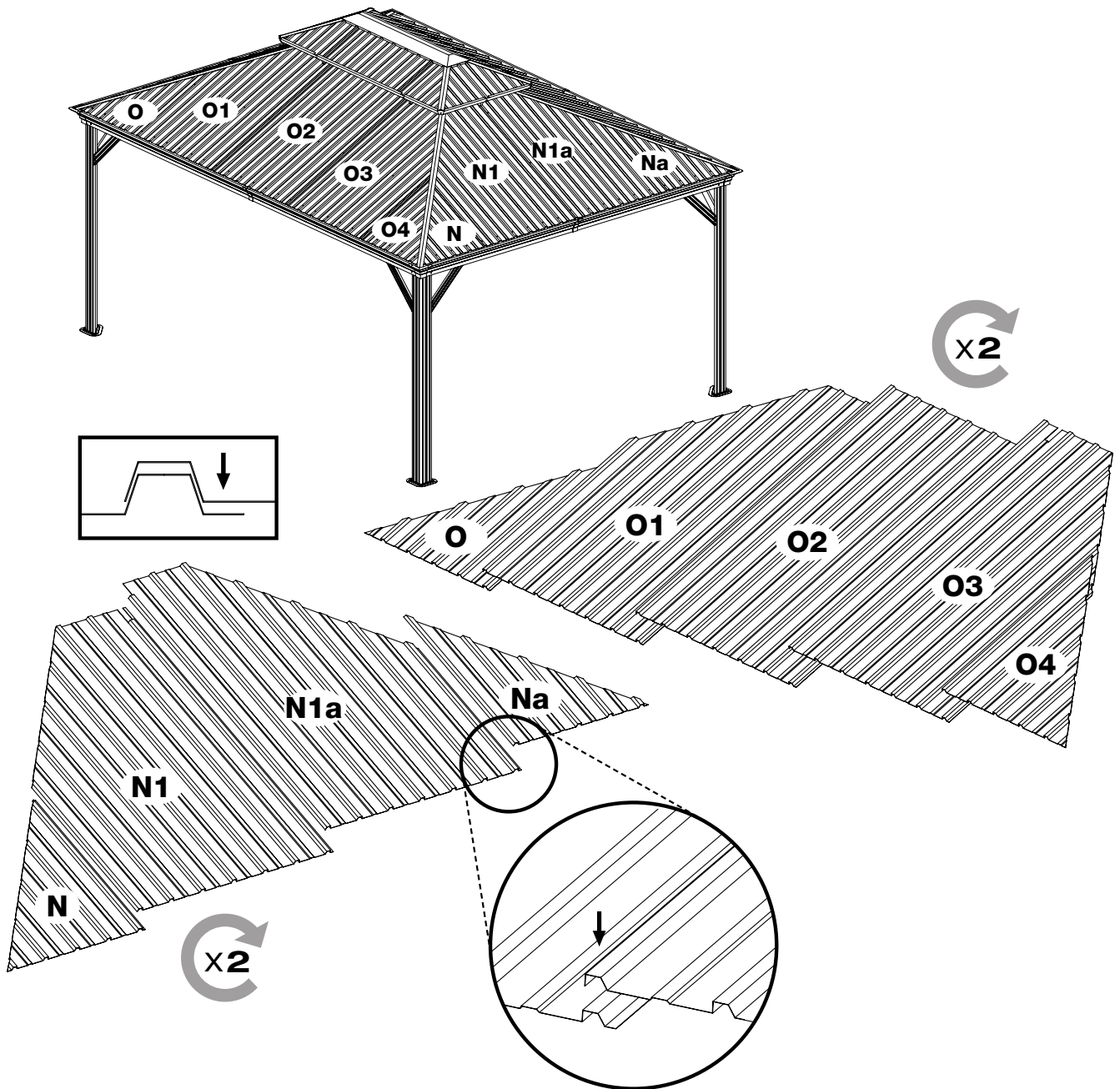
M2 x4

Vx10





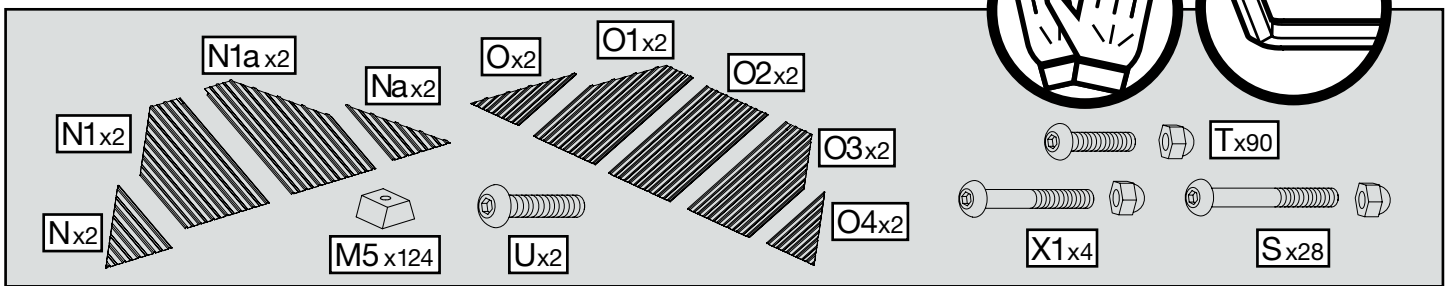
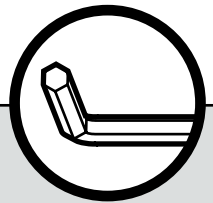
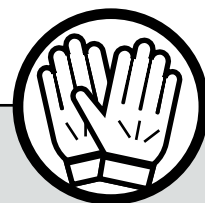
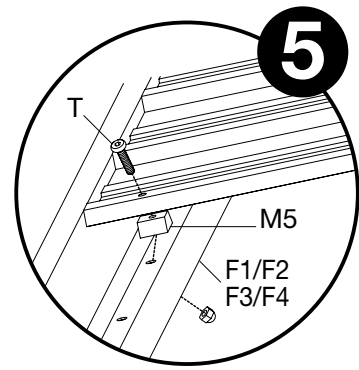
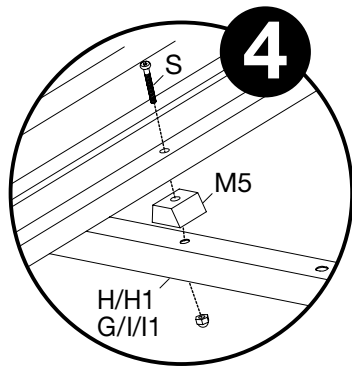
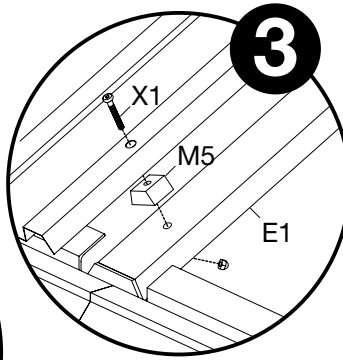
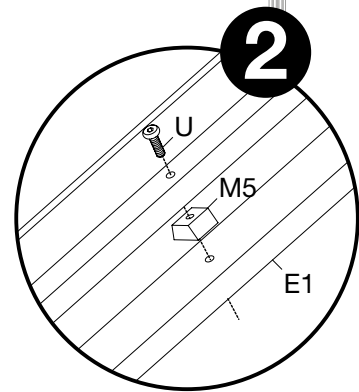
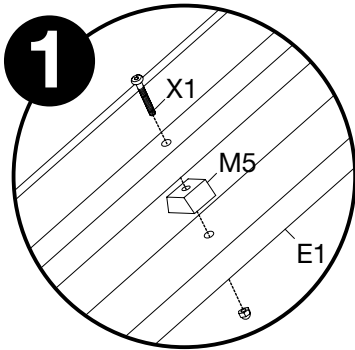
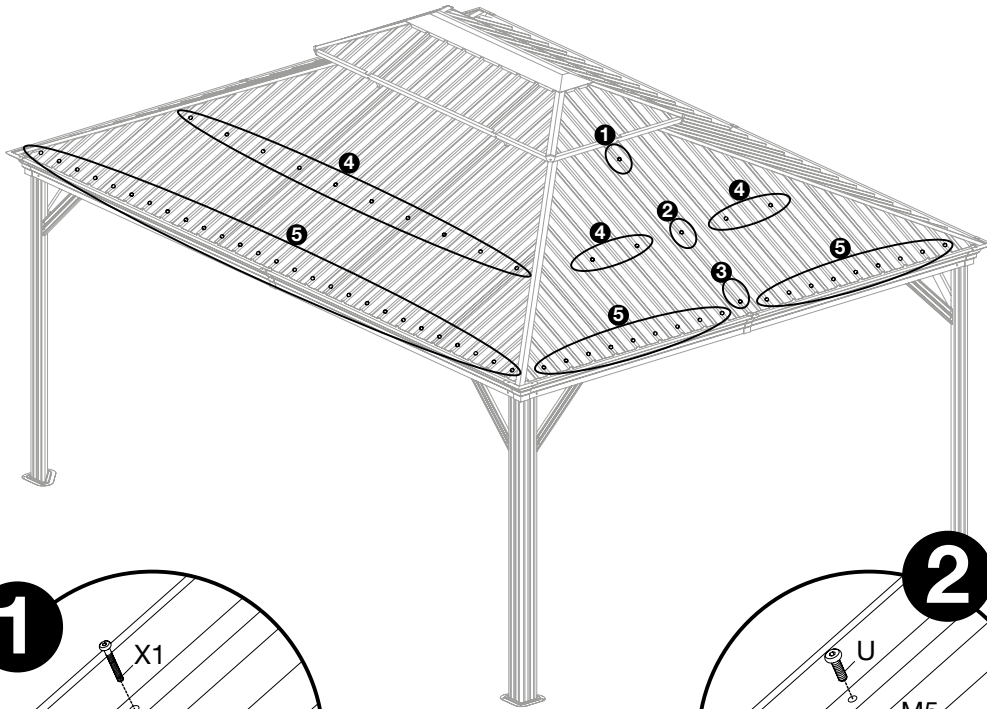


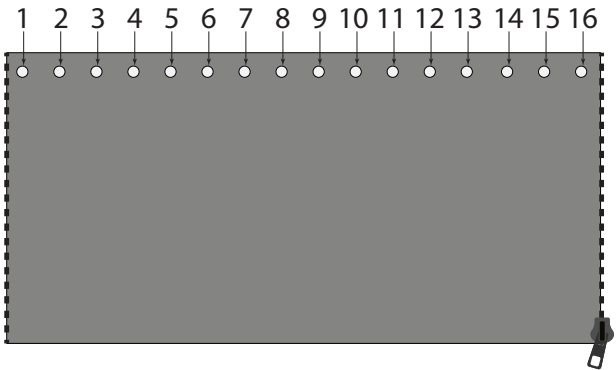
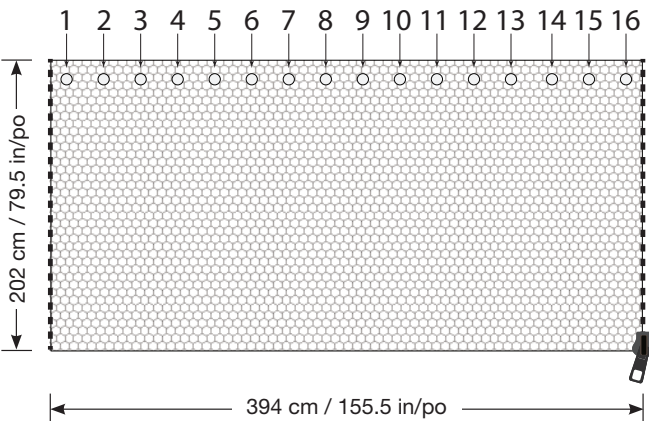
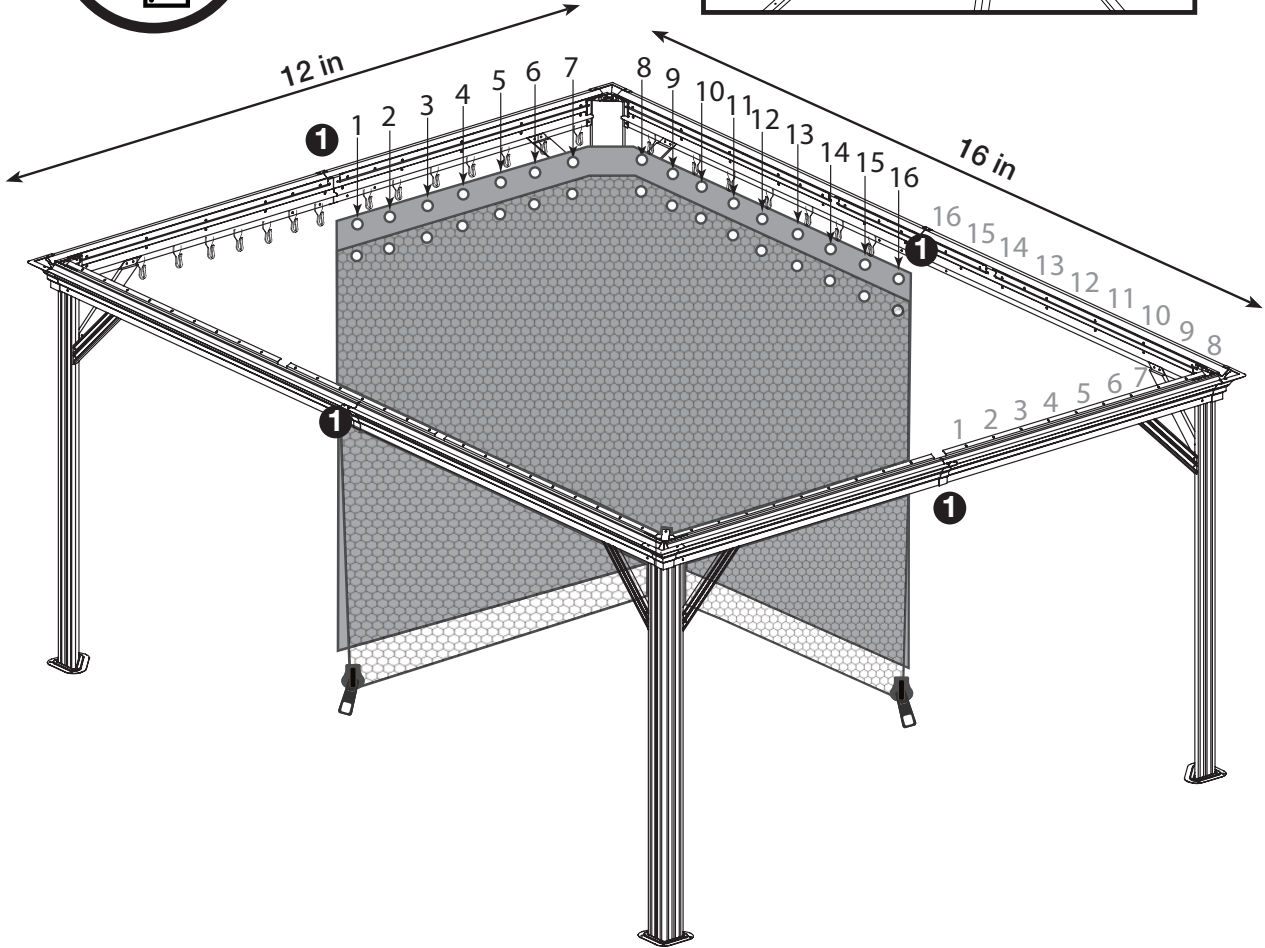
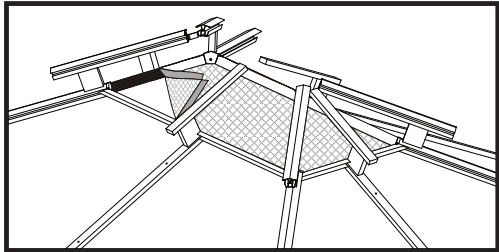


**Parts List:**  
 N1x2, N1ax2, Nax2, Nx2, M5x124, Ux2, O, O1, O2, O3, O4, X1x4, T, S, T90

**Tools:**  
 Gloves, Hex Key

# 19A/20











**SOJAG** ■ I  
produits saisonniers • seasonal products