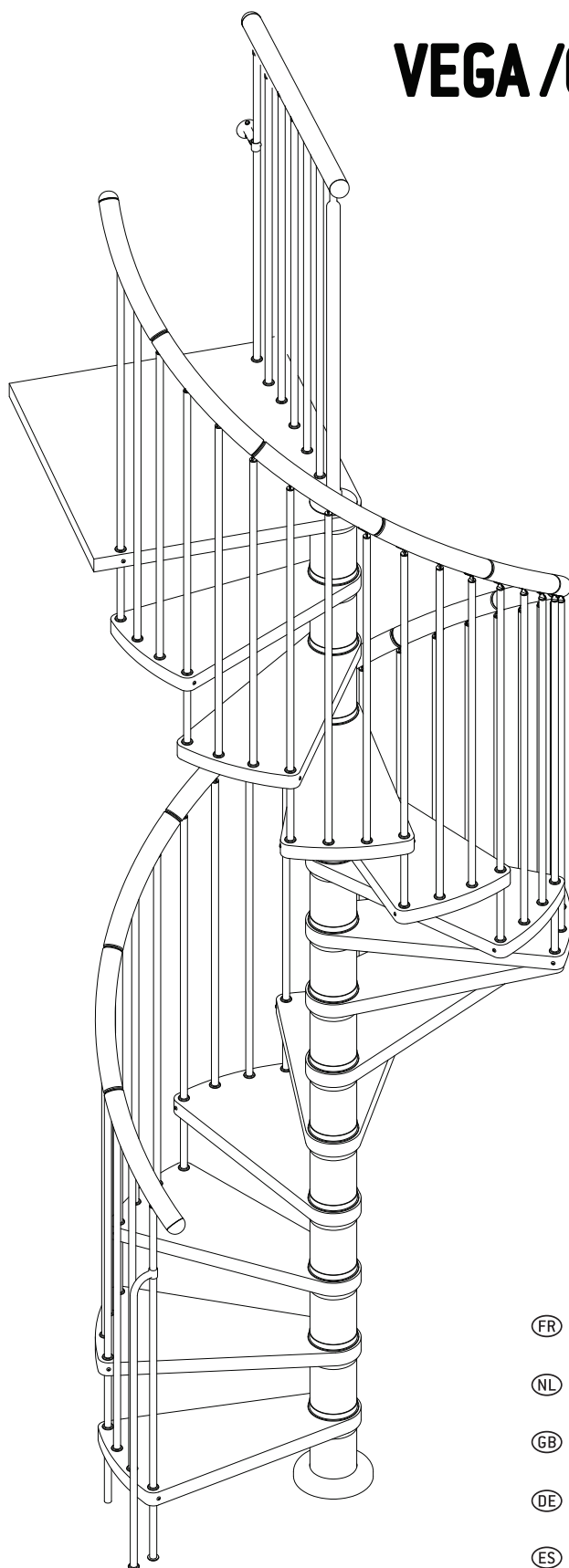
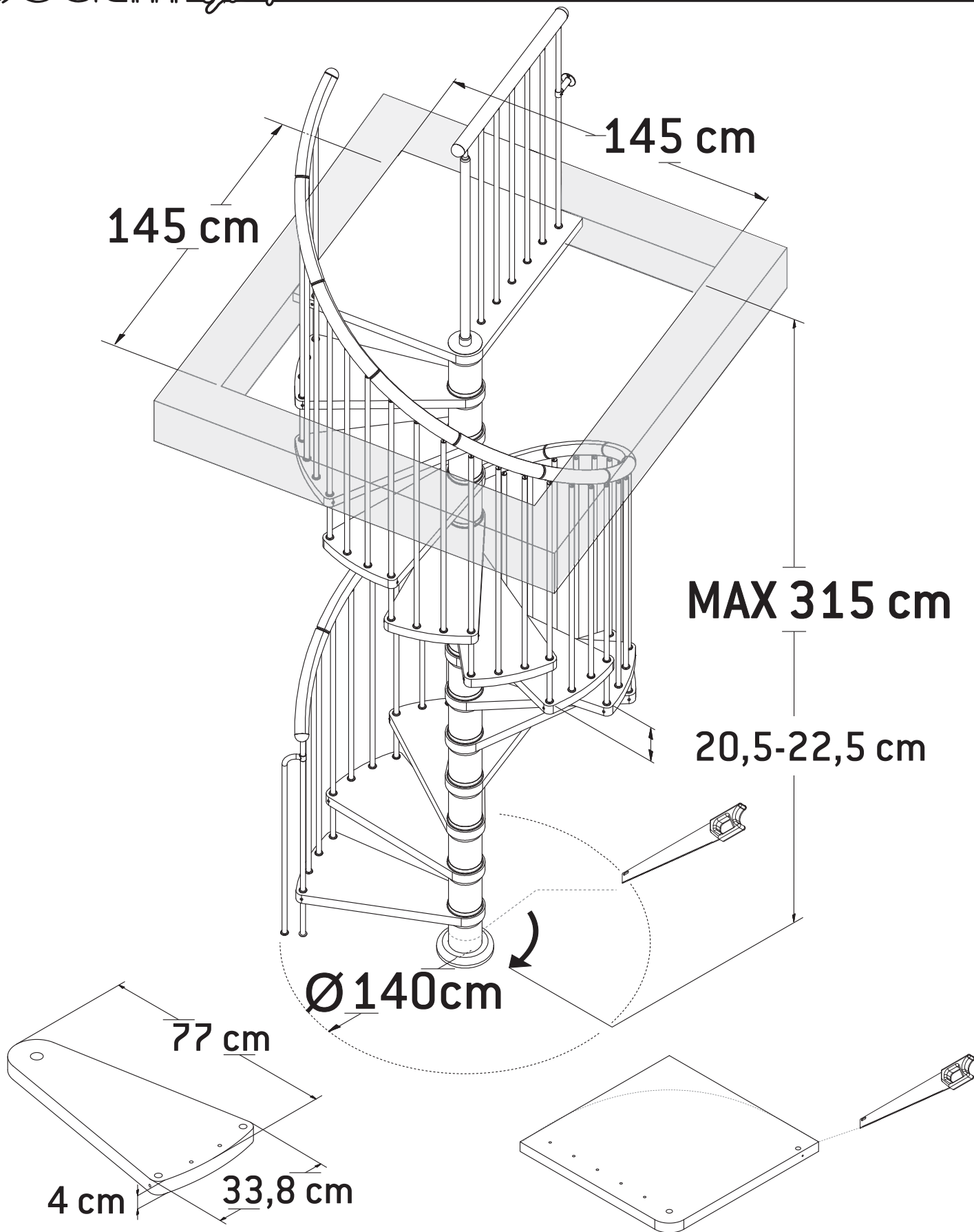
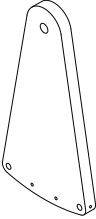
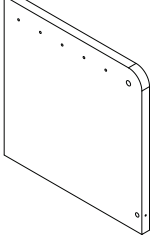
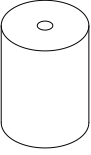
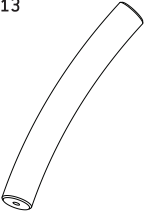











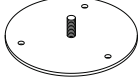


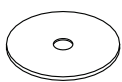
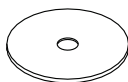



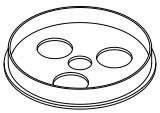

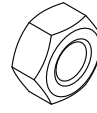












VEGA /COLUMBIA Ø140

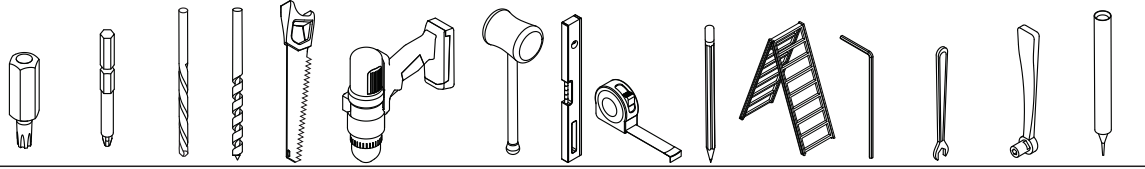


- Ⓕ FR VEGA /COLUMBIA ESCALIER 140 CM
- Ⓕ NL VEGA / COLUMBIA TRAP 140 CM
- Ⓕ GB VEGA / COLUMBIA STAIRCASE 140 CM
- Ⓕ DE TREPPE VEGA /COLUMBIA 140 CM
- Ⓕ ES VEGA / COLUMBIA ESCALERA 140 CM.
- Ⓕ RO VEGA / COLUMBIA SCARA DE 140 CM

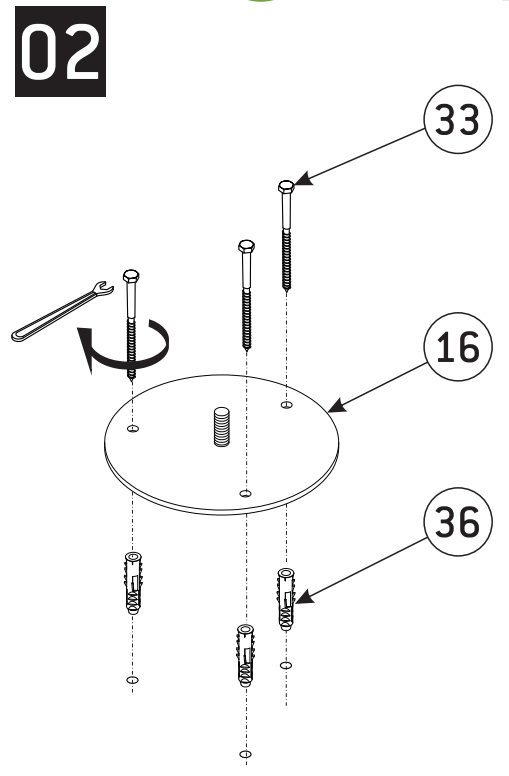
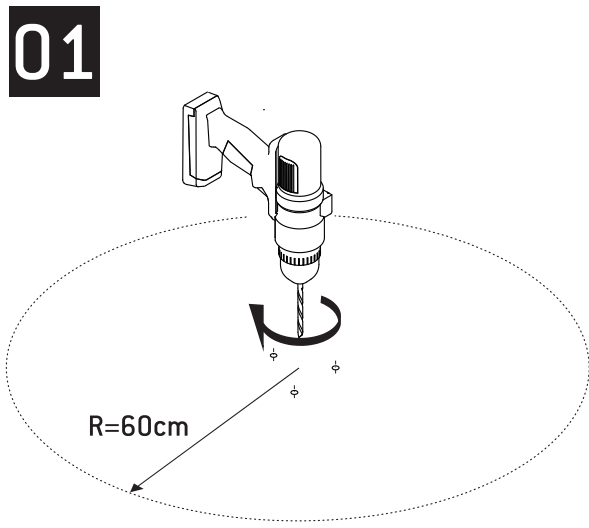


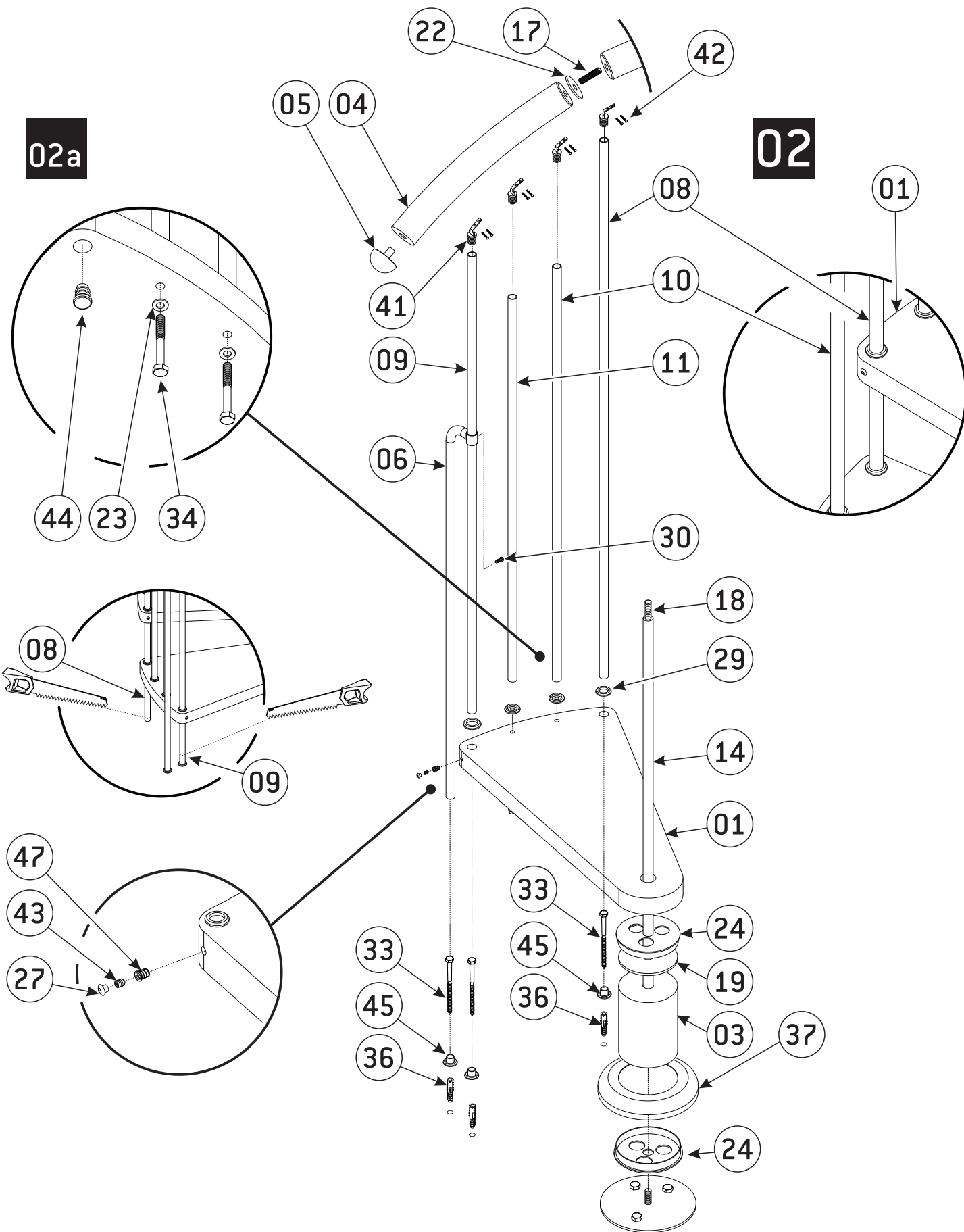
<p>1 40x334x770mm x13</p> 	<p>2 40x820x820mm x1</p> 	<p>3 Ø118x160mm x14</p> 	<p>4 Ø50x410mm x13</p> 	<p>5 Ø50x40mm x14</p> 	<p>6 Ø18x900mm x1</p> 
<p>7 Ø34x955 mm x1</p> 	<p>8 Ø18x1315 mm x1</p> 	<p>9 Ø18x1120 mm x13</p> 	<p>10 Ø18x1013 mm x13</p> 	<p>11 Ø18x938 mm x13</p> 	<p>12 Ø18x955 mm x6</p> 
<p>13 M20x997 mm x1</p>  <p>M12</p>	<p>14 Ø20x997 mm x2</p>  <p>M12</p>	<p>15 Ø20x220 mm x1</p>  <p>M12</p>	<p>16 Ø192x4 mm x1</p> 	<p>17 M8x40 mm x12</p> 	<p>18 M12x80 mm x3</p> 
<p>19 118x5 mm x56</p> 	<p>20 120x3 mm x1</p> 	<p>21 Ø36x3 mm x1</p>  <p>A20</p>	<p>22 Ø40x4mm x12</p> 	<p>23 Ø16x1.6 mm x32</p>  <p>A8</p>	<p>24 Ø121x18 mm x28</p> 
<p>25 Ø50x865 mm x1</p>  <p>M10</p>	<p>26 x1</p>  <p>M20</p>	<p>27 Ø10x7 mm x27</p> 	<p>28 Ø28x4 mm x27</p> 	<p>29 Ø28x4 mm x32</p> 	<p>30 Ø4,8x13 x3</p> 
<p>31 Ø6x25 x8</p> 	<p>32 Ø6x60 x10</p> 	<p>33 Ø8x80 x6</p> 	<p>34 M8x60 x32</p> 	<p>35 Ø10x50 x10</p> 	<p>36 Ø12x60 x6</p> 

37 x1 Ø200x33 mm	38 x1 Ø22x82 mm	39 x1 Ø55x60 mm	40 x2 Ø55x60 mm Pz3	41 x47 Ø18x37 mm	42 x94 Ø3.5x25 mm
43 x27 M6x8 mm	44 x12 18.5x22 mm	45 x3 Ø28x15 mm	46 x4 50x60x90 mm	47 x27 Ø10x13 mm M6	48 x4 15x60x70 mm 15x60x100 mm a b

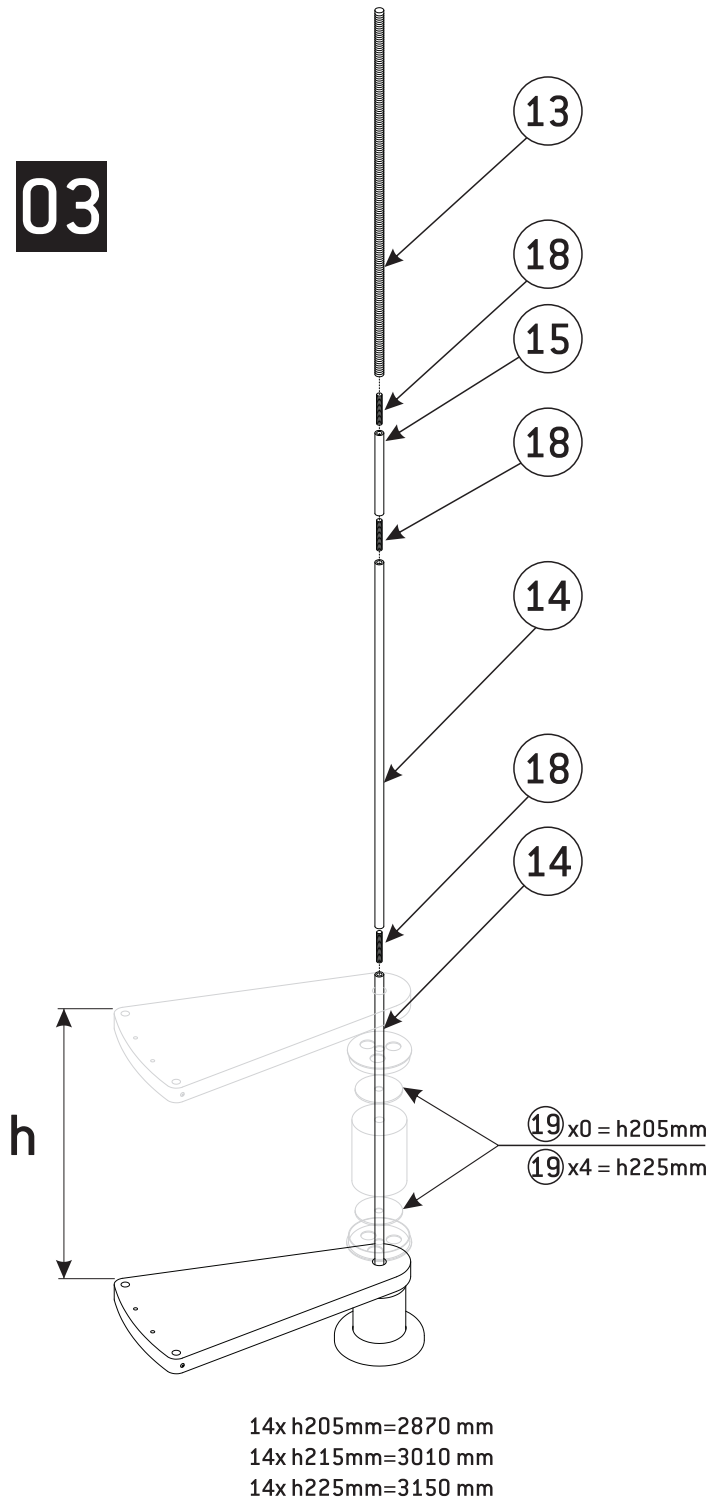


Tx10-30 Ph2/3 Ø10 04
 Pz2/3 Ø12 012
 Hex 3 30 13

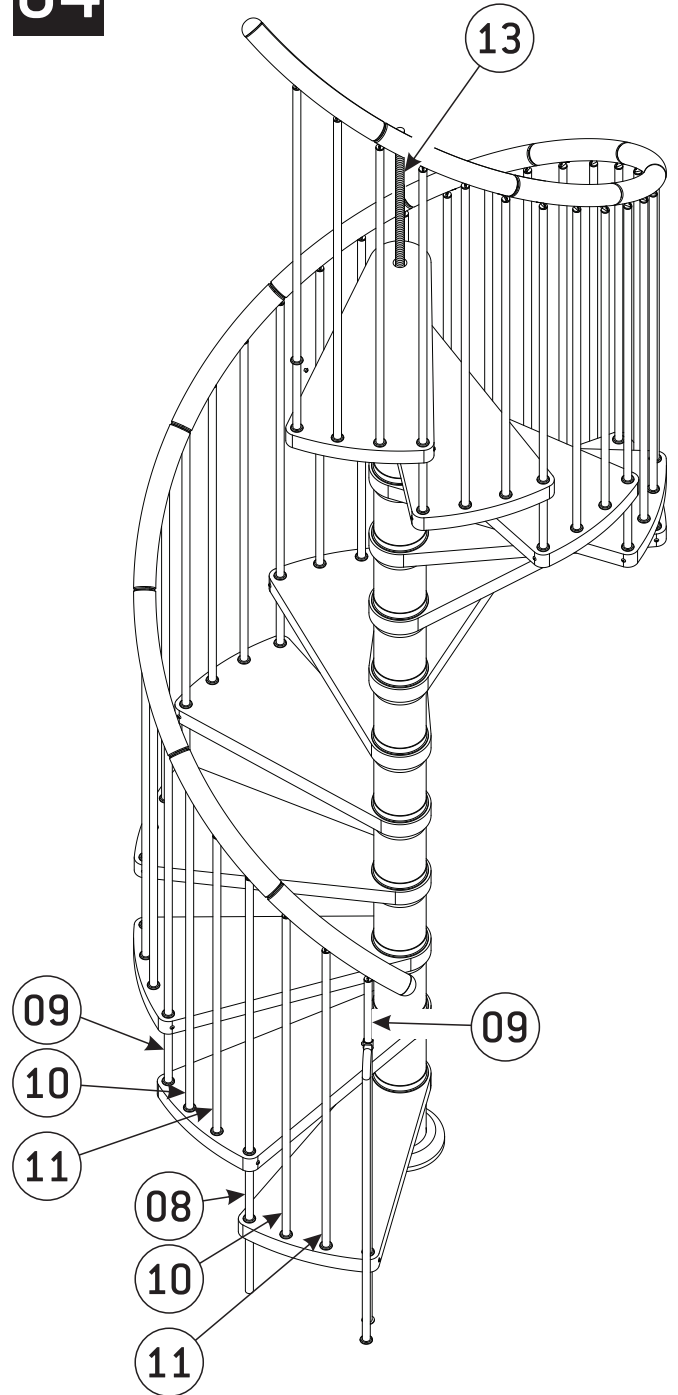




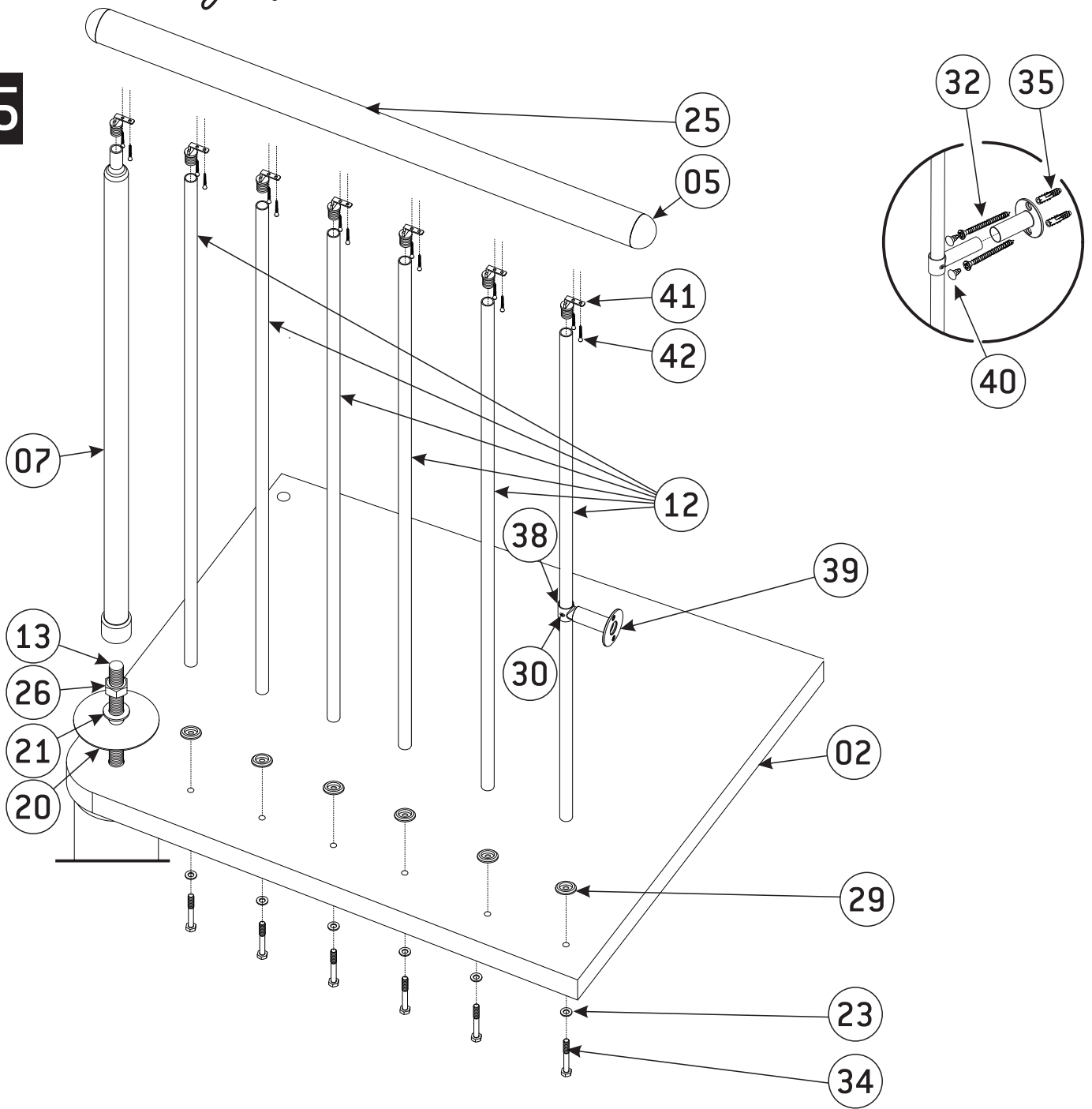
03



04

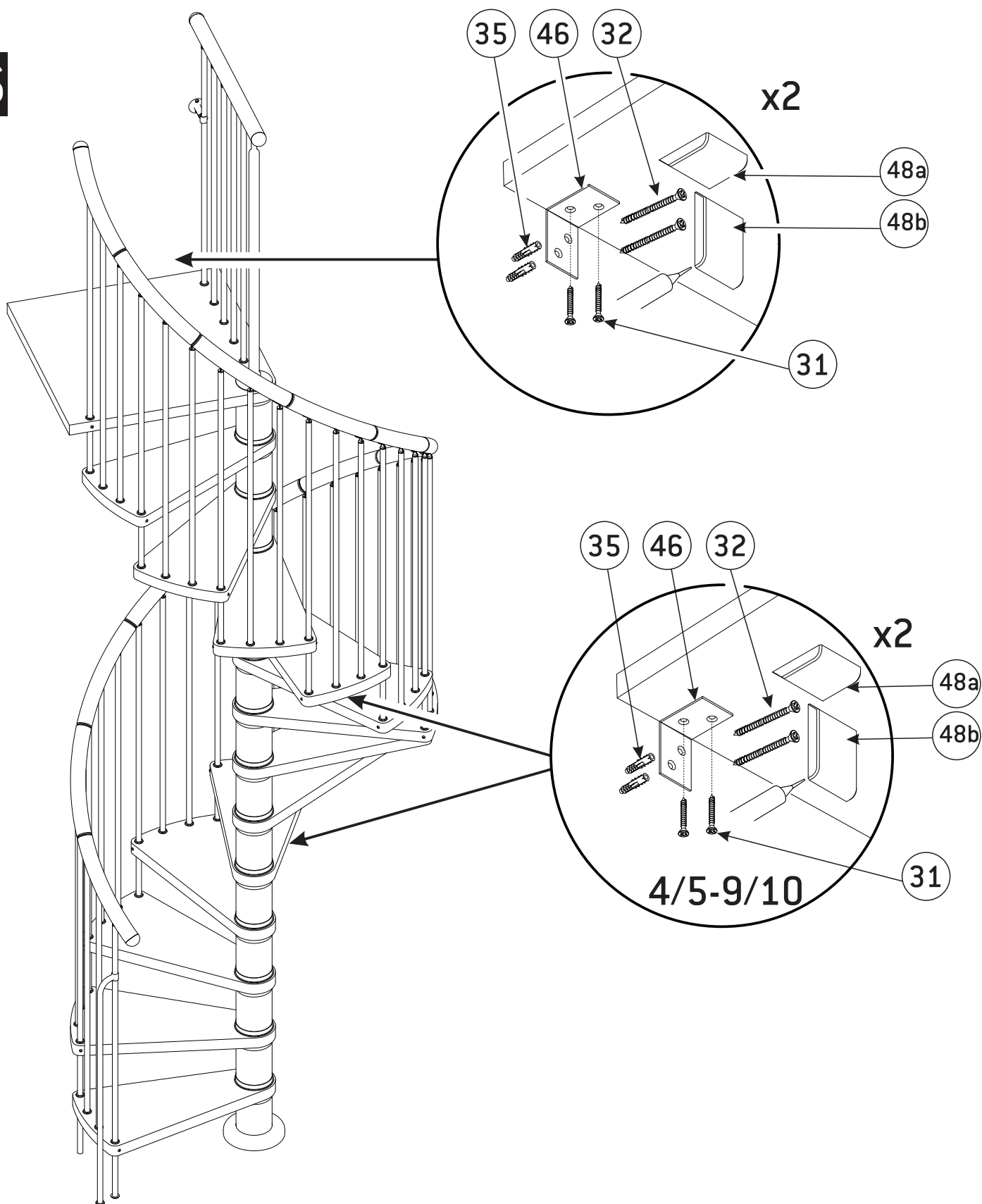


05



RUE GRIMARD,39 B-6061 MONTIGNIES-SUR-SAMBRE(CHARLEROI)-BELGIUM
 TEL: +32/71/25.39.60 FAX: +32/71/25.39.72 E-MAIL: info@sogem-sa.com

06



RUE GRIMARD,39 B-6061 MONTIGNIES-SUR-SAMBRE(CHARLEROI)-BELGIUM
 TEL: +32/71/25.39.60 FAX: +32/71/25.39.72 E-MAIL: info@sogem-sa.com