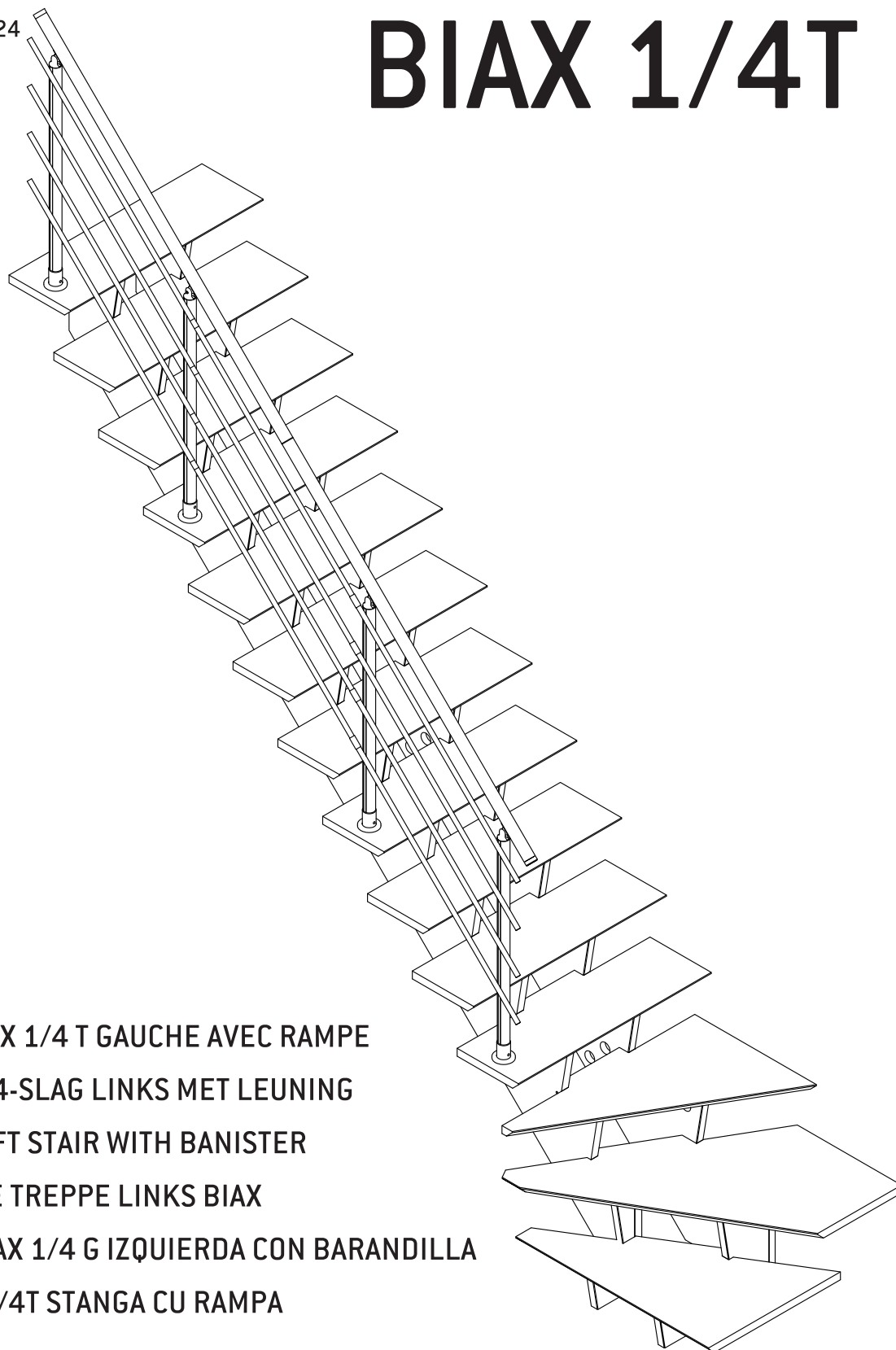
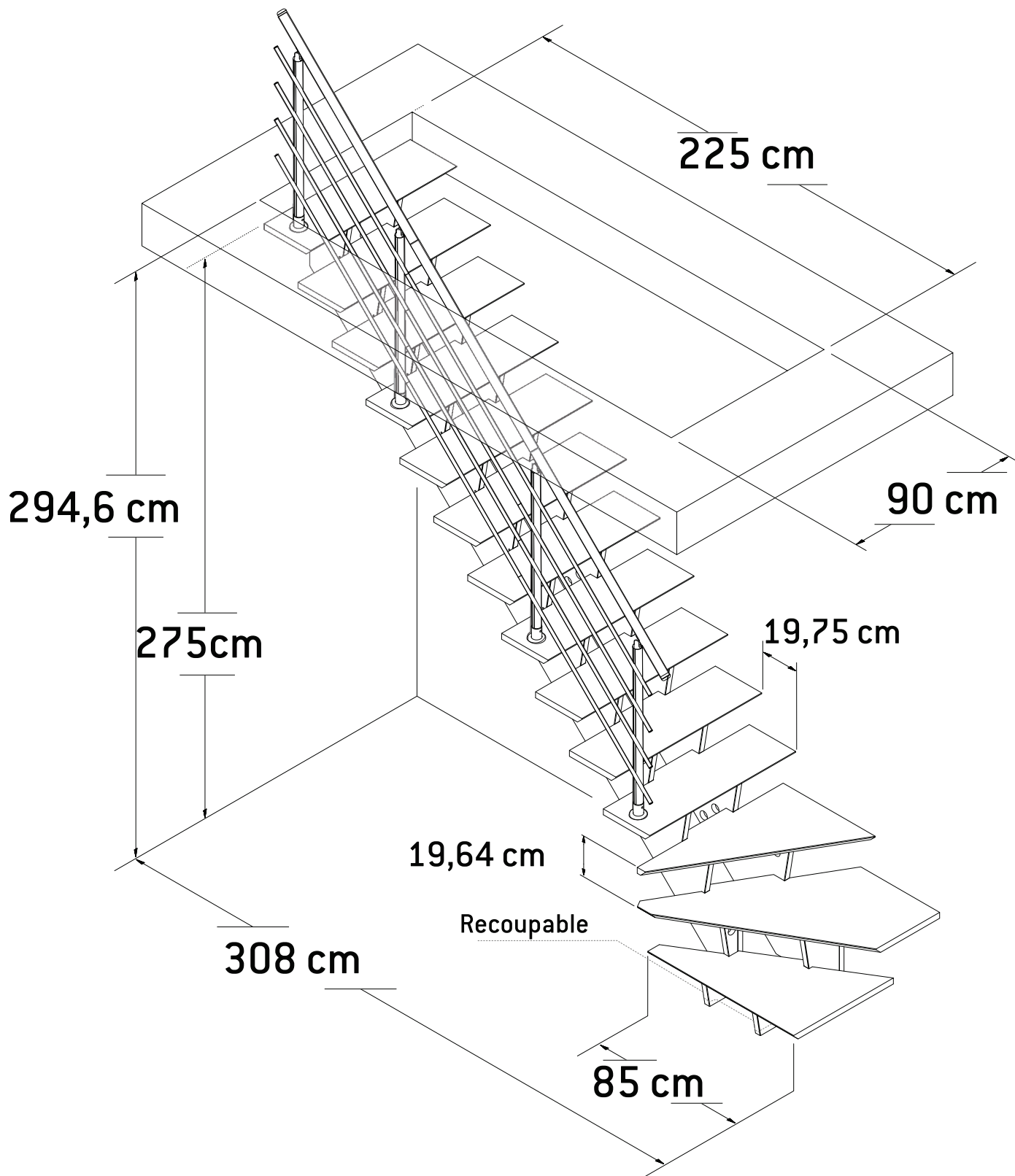


RAL 7024

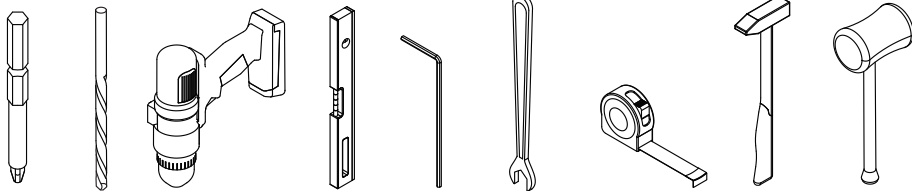
# BIAX 1/4T



- Ⓡ ESCALIER BIAX 1/4 T GAUCHE AVEC RAMPE
- Ⓡ TRAP BIAX 1/4-SLAG LINKS MET LEUNING
- Ⓡ BIAX 1/4T LEFT STAIR WITH BANISTER
- Ⓡ GEWENDELTE TREPPE LINKS BIAX
- Ⓡ ESCALERA BIAX 1/4 G IZQUIERDA CON BARANDILLA
- Ⓡ BIAX SCARA 1/4T STANGA CU RAMPA

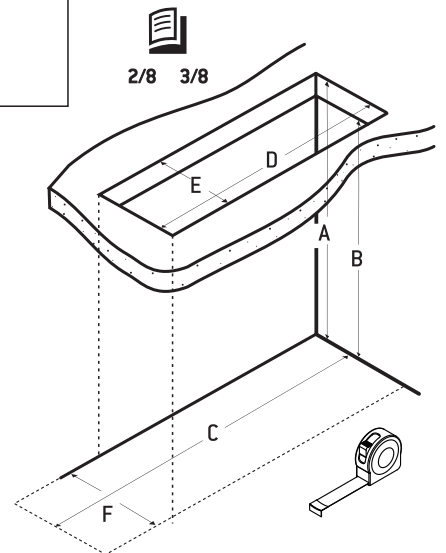


|                             |                             |                             |                             |                            |                             |                              |                              |
|-----------------------------|-----------------------------|-----------------------------|-----------------------------|----------------------------|-----------------------------|------------------------------|------------------------------|
| 01<br>x1<br>30x1949x380<br> | 02<br>x1<br>30x1949x380<br> | 03<br>x1<br>30x1738x380<br> | 04<br>x1<br>30x1114x380<br> | 05<br>x1<br>30x833x518<br> | 06<br>x1<br>30x362x487<br>  | 07<br>x1<br>30x192x362<br>   | 08<br>x1<br>30x575x850<br>   |
| 13<br>x58<br>M8x70<br>      | 14<br>x70<br>Ø40x19<br>     | 15<br>x70<br>16x16x34<br>   | 16<br>x6<br>M8x160<br>      | 17<br>x70<br>M8<br>        | 18<br>x8<br>Ø5x25<br>       | 19<br>x70<br>+2<br>Ø50x6<br> | 20<br>x32<br>+2<br>Ø20x6<br> |
| 21<br>x8<br>Ø5x60<br>       | 22<br>x8<br>Ø10x50<br>      | 23<br>x4<br>50x50x50<br>    | 24<br>x27+2<br>Ø4x45<br>    | 25<br>x1<br>Ø29x62<br>     | 26<br>x6<br>+2<br>M7x50<br> |                              |                              |

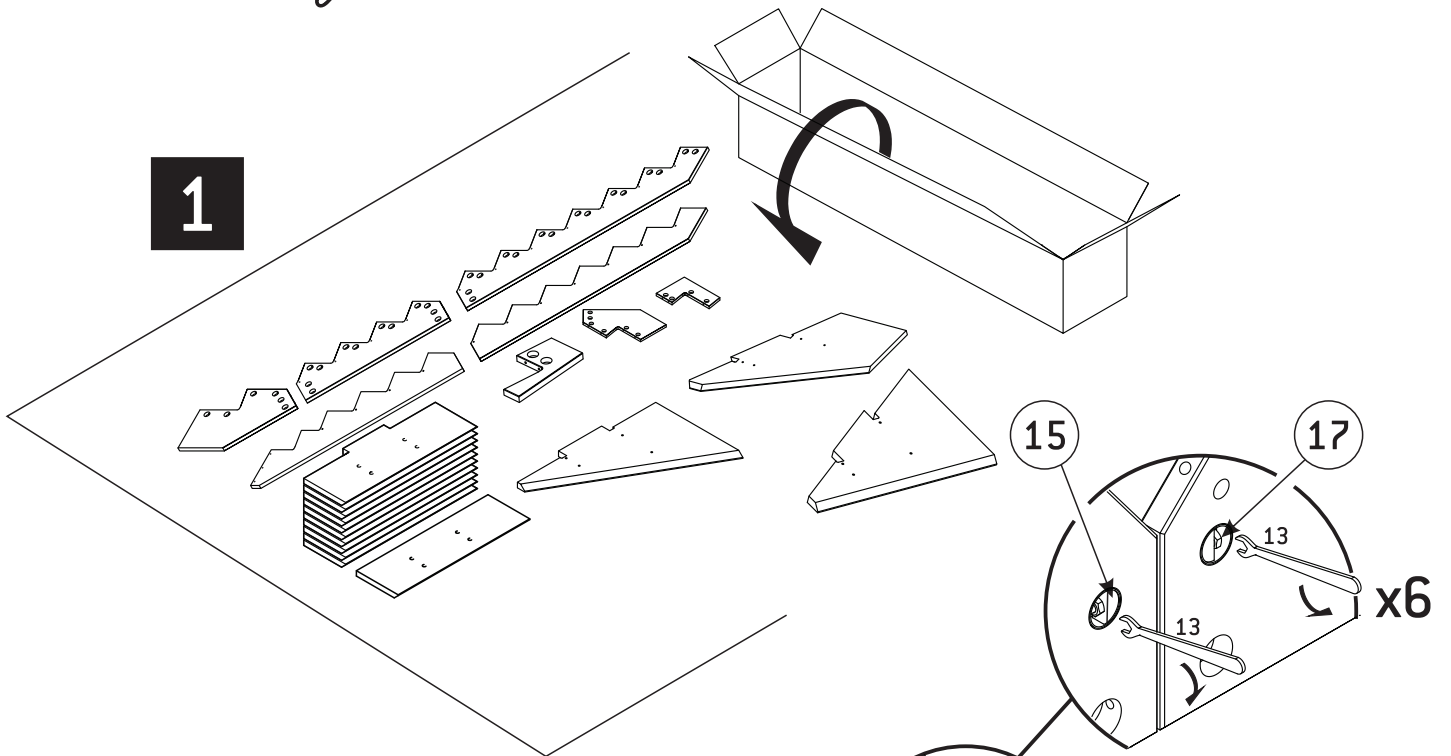


Ph2/3 03  
Pz2/3 016

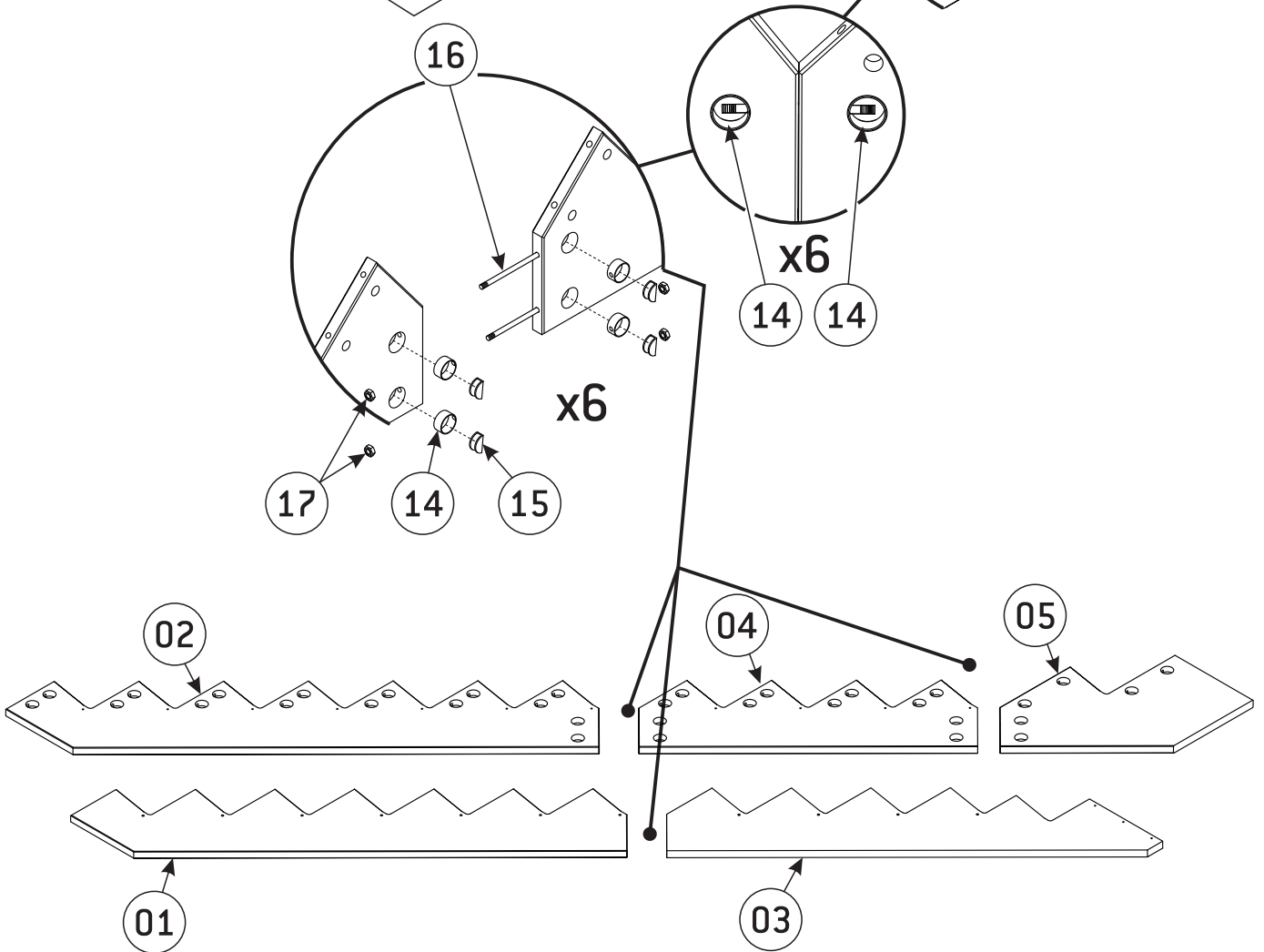
4 13  
13 13



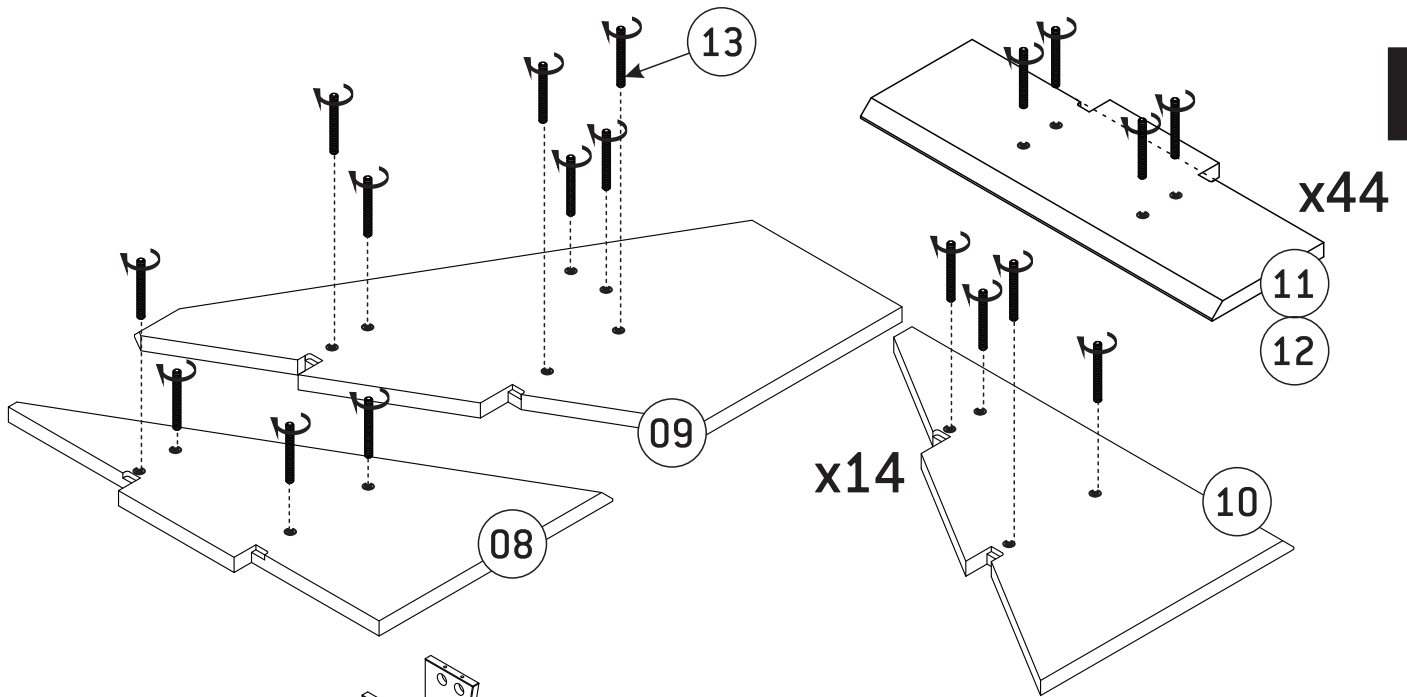
1



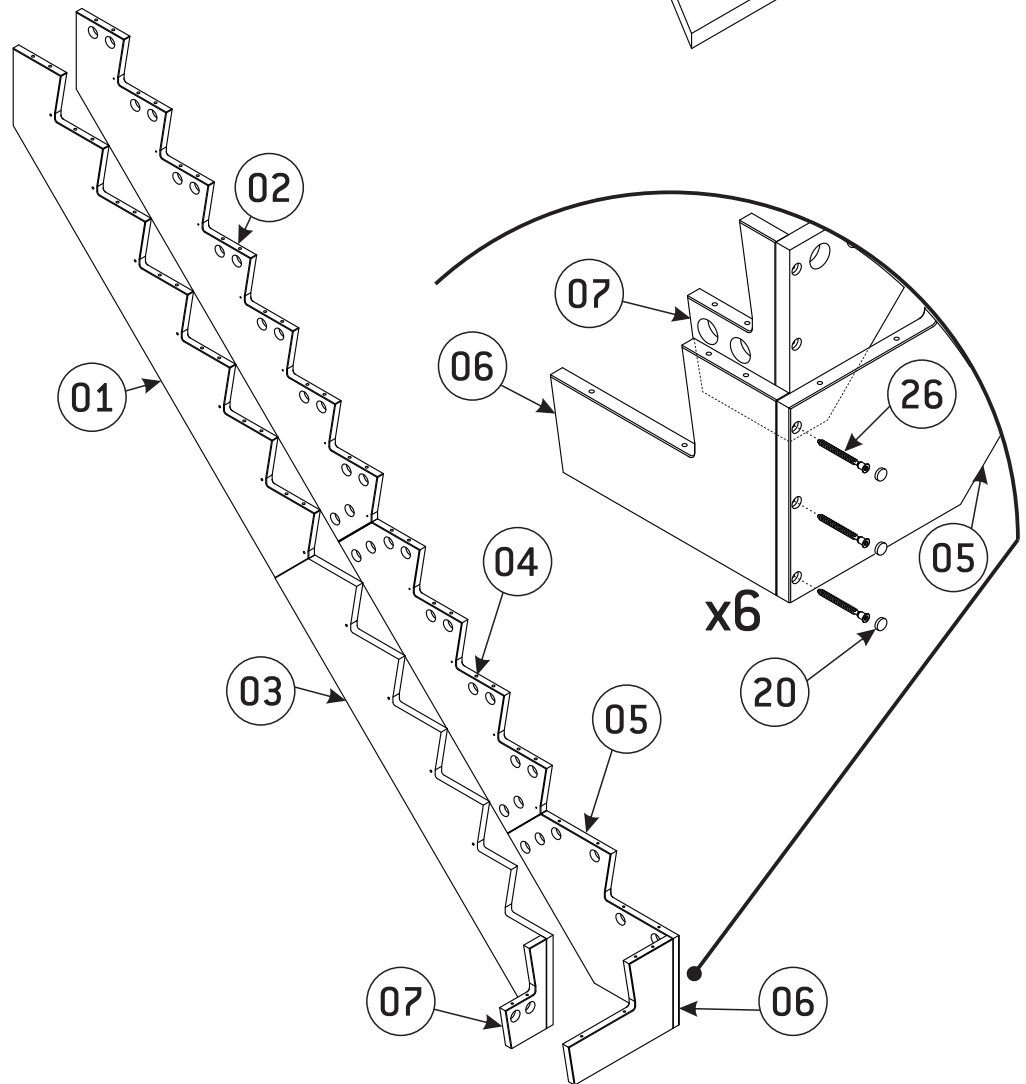
2



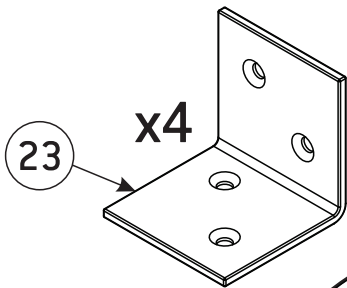
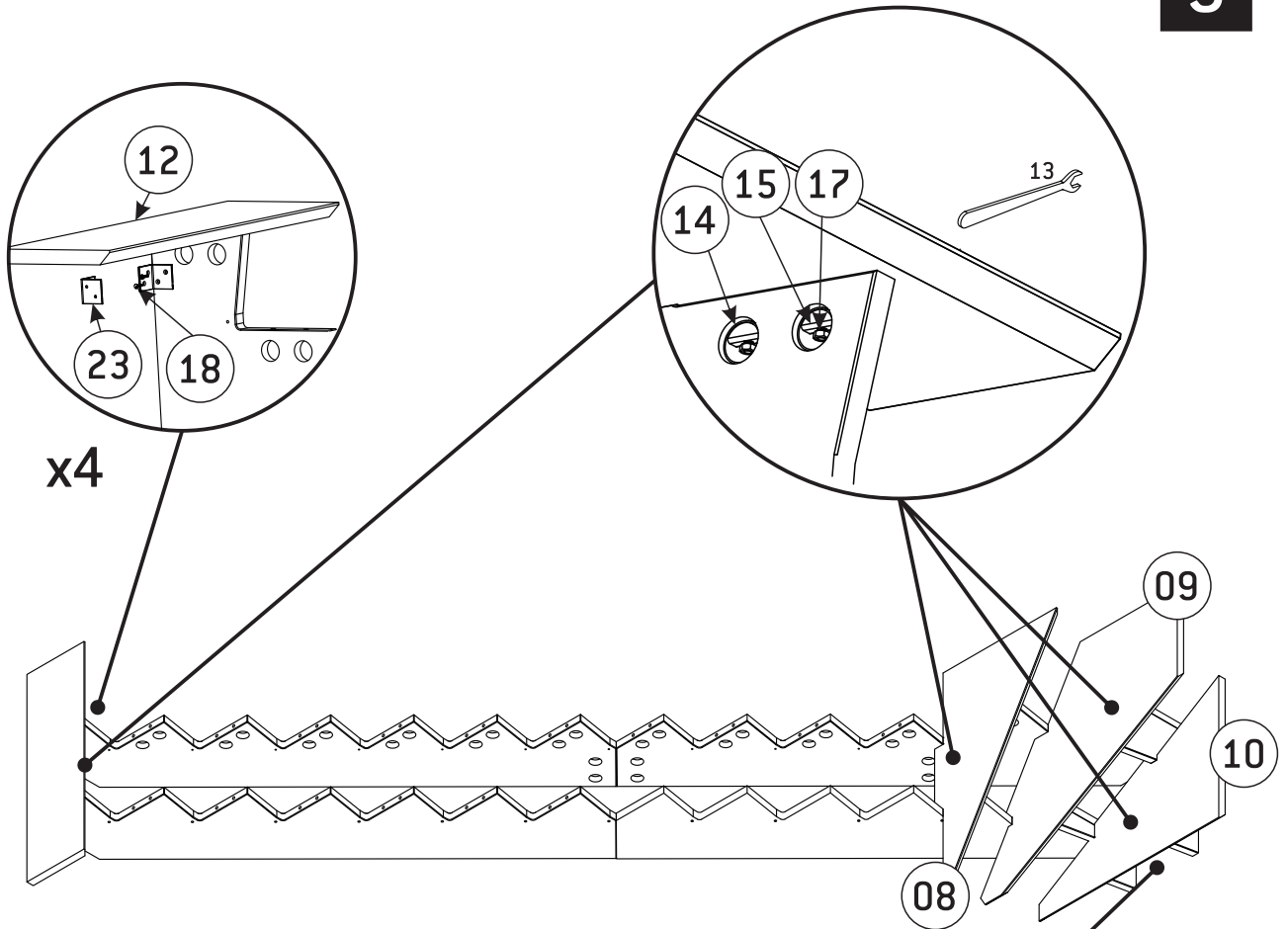
**3**



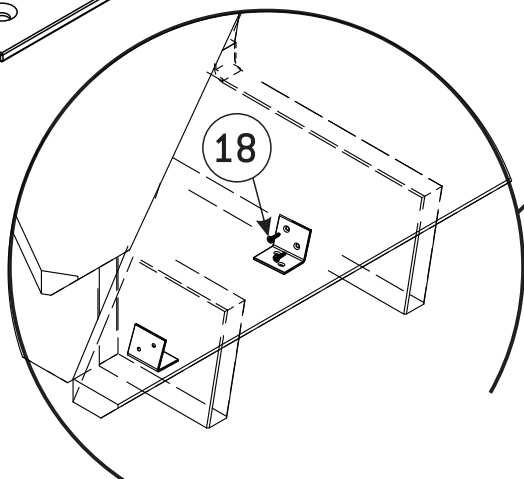
**4**

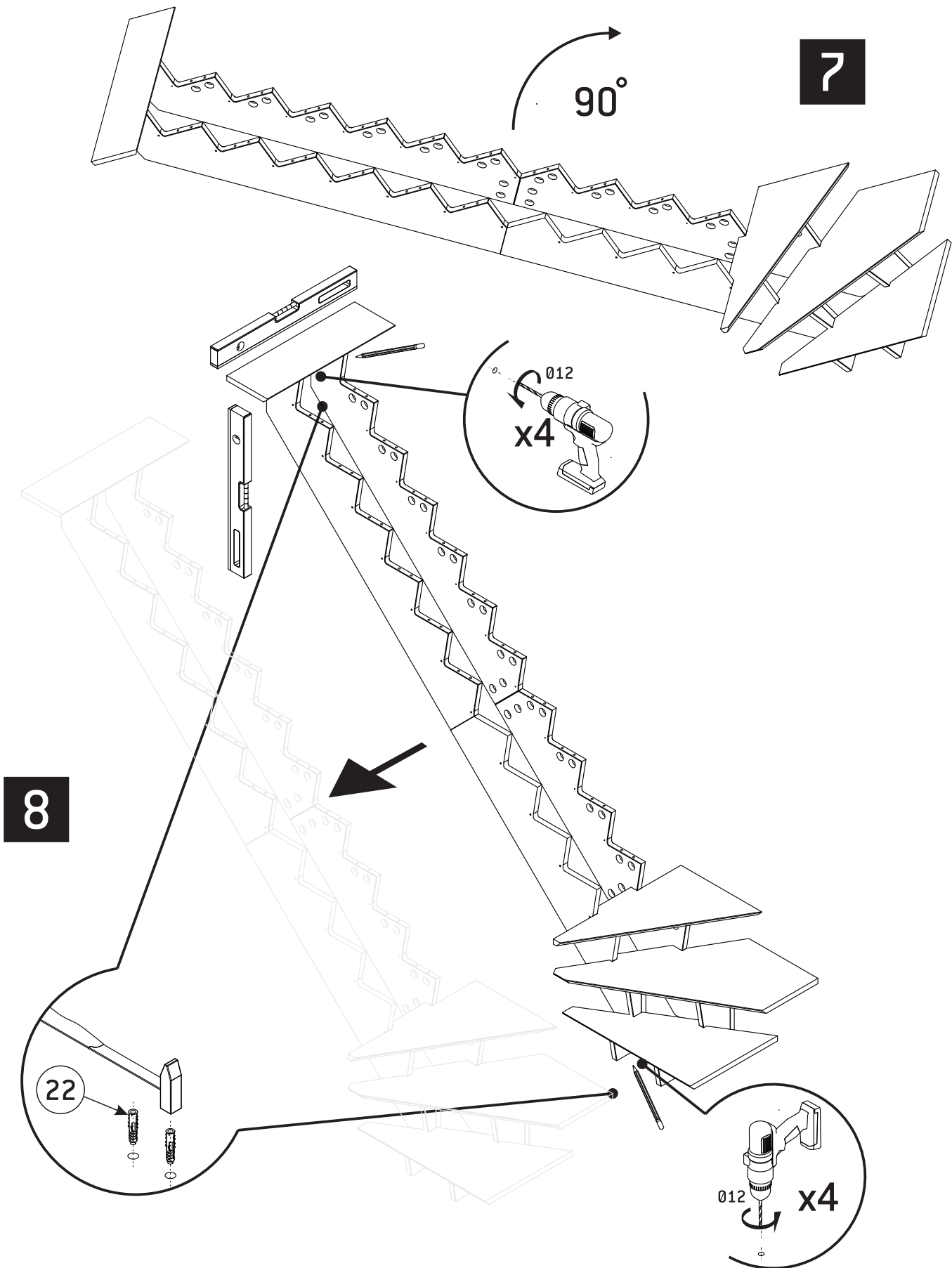


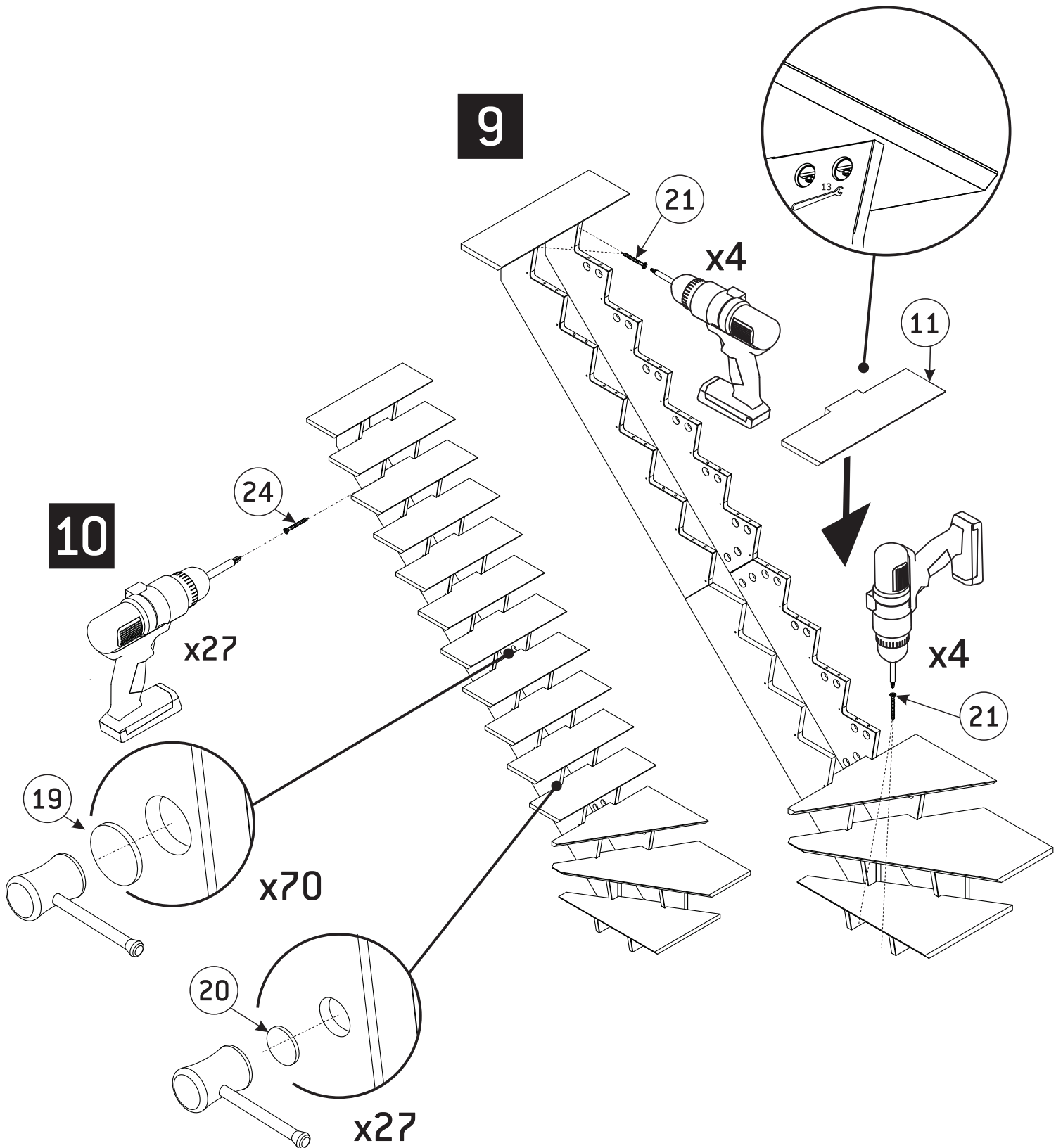
5



6







RUE GRIMARD, 39 B-6061 MONTIGNIES-SUR-SAMBRE (CHARLEROI)-BELGIUM  
 TEL: +32/71/25.39.60 FAX: +32/71/25.39.72 E-MAIL: info@sogem-sa.com