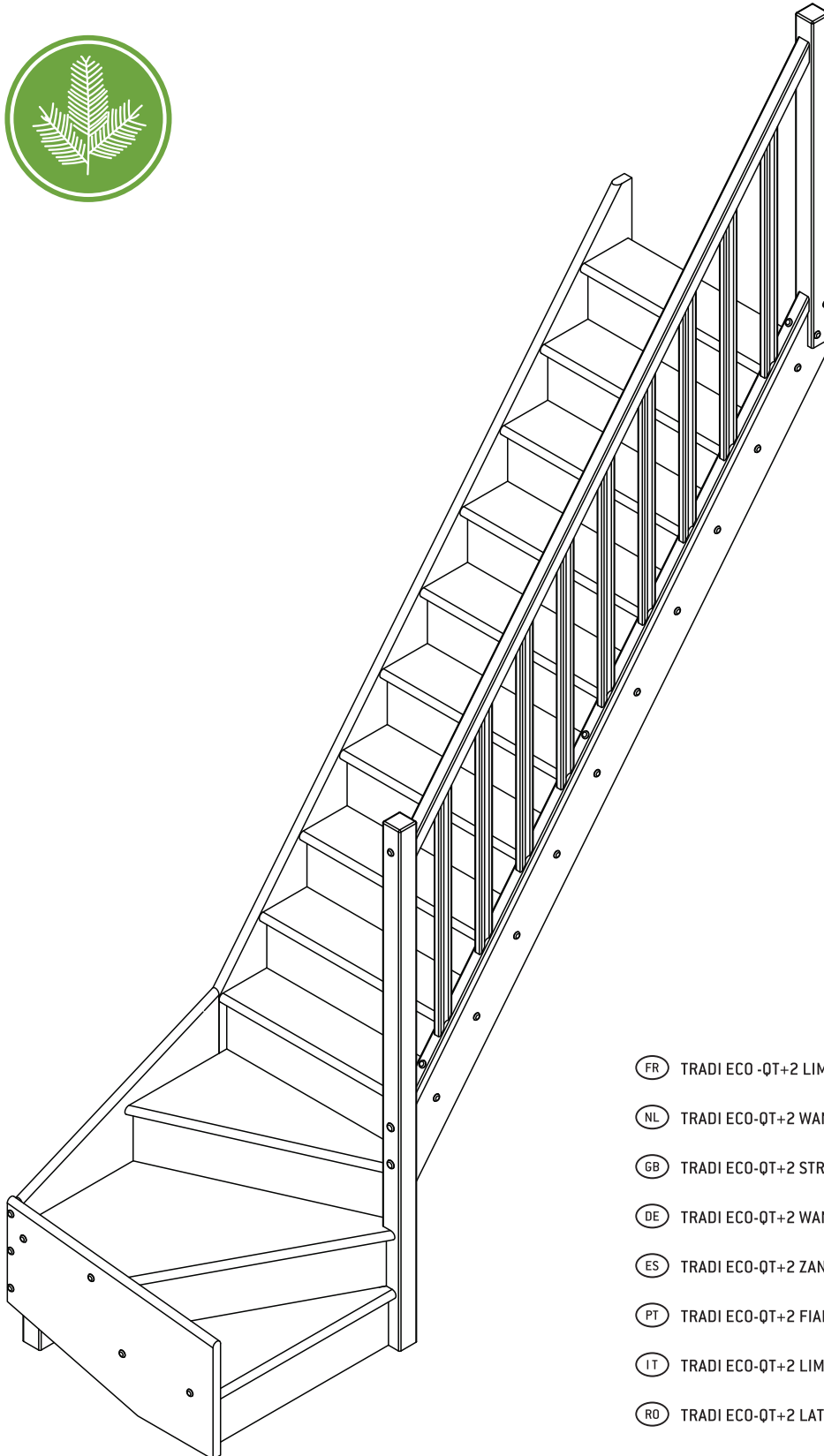
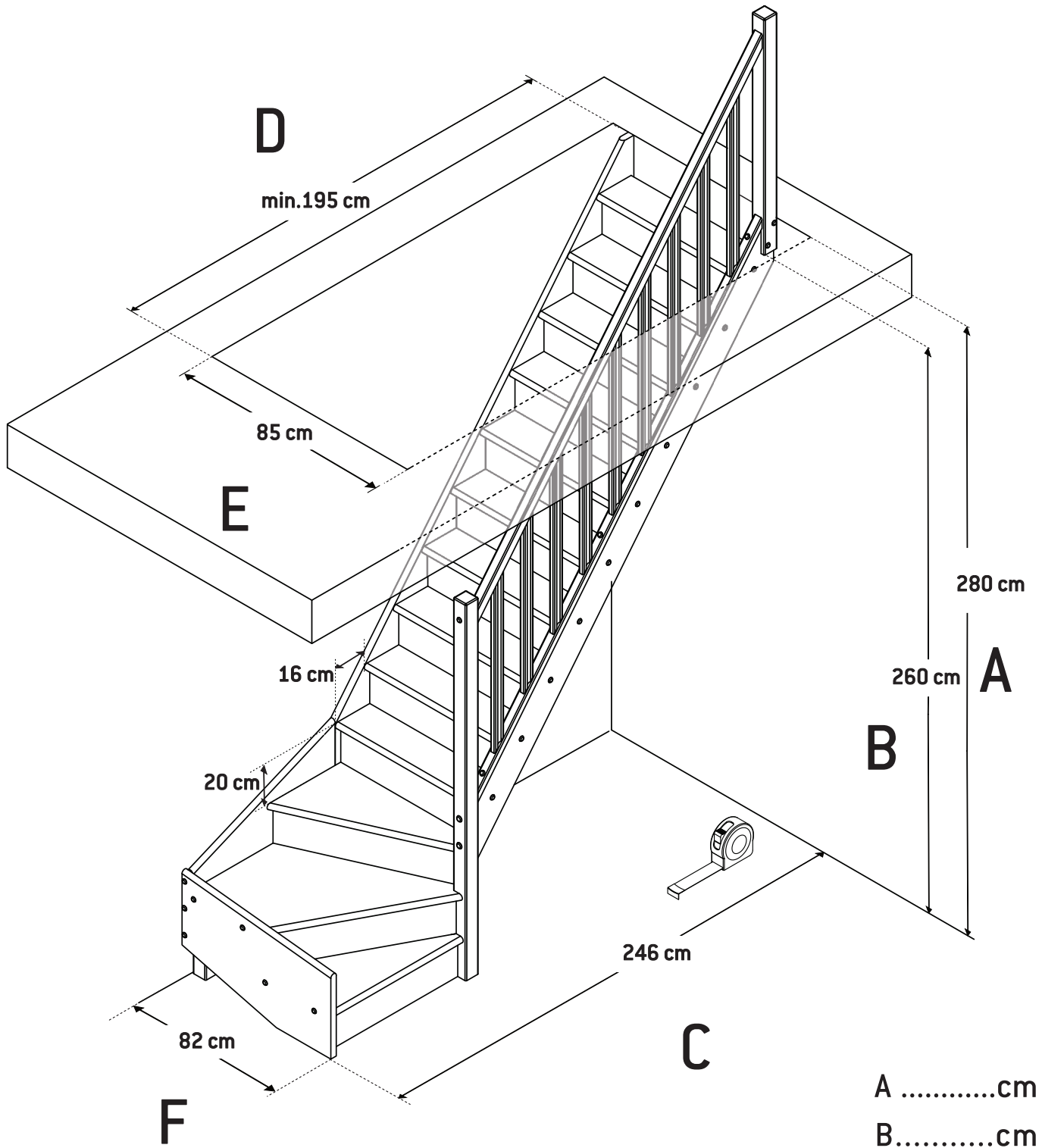




TRADI ECO



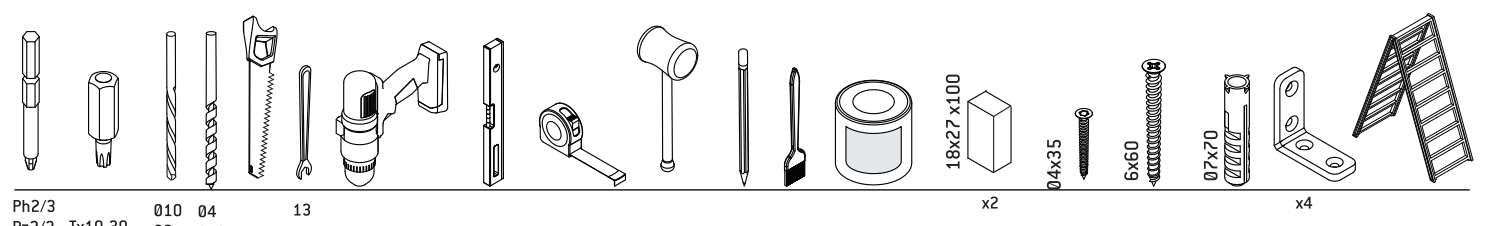
- (FR) TRADI ECO -QT+2 LIMONS + RAMPE +10 MARCHES+10 CONTREMARCHES
- (NL) TRADI ECO-QT+2 WANGEN + LEUNING+10 TREDEN+10 TEGENTREDEN
- (GB) TRADI ECO-QT+2 STRINGS + BANISTER + 10 TREADS+ 10 RISERS
- (DE) TRADI ECO-QT+2 WANGEN +GELANDER + 10 STÜFEN + 10 SETZSTÜFEN
- (ES) TRADI ECO-QT+2 ZANCAS + BARANDILLA + 10 PELEDINOS + 10 CONTRAHUELLAS
- (PT) TRADI ECO-QT+2 FIANCHI + RINGHIERA + 10 GRADINI+10 ALZATE
- (IT) TRADI ECO-QT+2 LIMONS + RAMPA +10 + 10 ALZATE MERCATI
- (RO) TRADI ECO-QT+2 LATERALE + RAMPA +10 TREPTE + 10 CONTRATREPTE



- Acm
- B.....cm
- Ccm
- Dcm
- Ecm
- Fcm



| | | | | | | | | |
|---------------------------------|---------------------------------|---|--------------------------------|--------------------------------|---------------------------------|--------------------------------|---------------------------------|--------------------------------|
| 01 30x190x2816 x1 | 02 30x190x2816 x1 | 03 30x190x762 x10 | 04 70x70x1796 x1 | 05 70x70x1125 x1 | 06 25x50x874.4 x9 | 07 30x42x2580 x1 | 08 16x26x2580 x1 | 09 42x45x2580 x1 |
| 10 30x351x784 x1 | 11 30x400x820 x1 | 12 30x400x740 x1 | 13 30x768x781 x1 | 14 30x415x736 x1 | 15 70x70x370 x1 | 16 70x70x570 x1 | 17 18x209x760 x10 | 18 18x209x828 x1 |
| 19 18x209x828 x1 | 20 18x177x735 x1 | 21 45x25x242 x2 11.24 cm | 22 Ø12x5 x46 | 23 Ø20x5 x2 | 24 Ø40x5 x2 | 25 Ø4x25 x3 | 26 Ø4x40 x91 | 27 Ø5x50 x24 |
| 28 Ø5x60 x21 | 29 34x16 x2 | 30 M8x80 x2 | 31 M8x70 x2 | 32 M8 x2 | | | | |

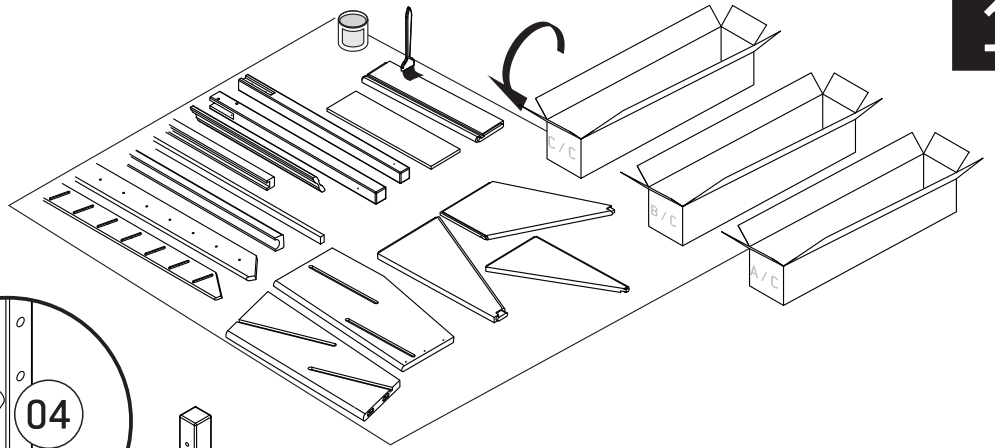


Ph2/3 010 04 13
Pz2/3 Tx10-30 08 012

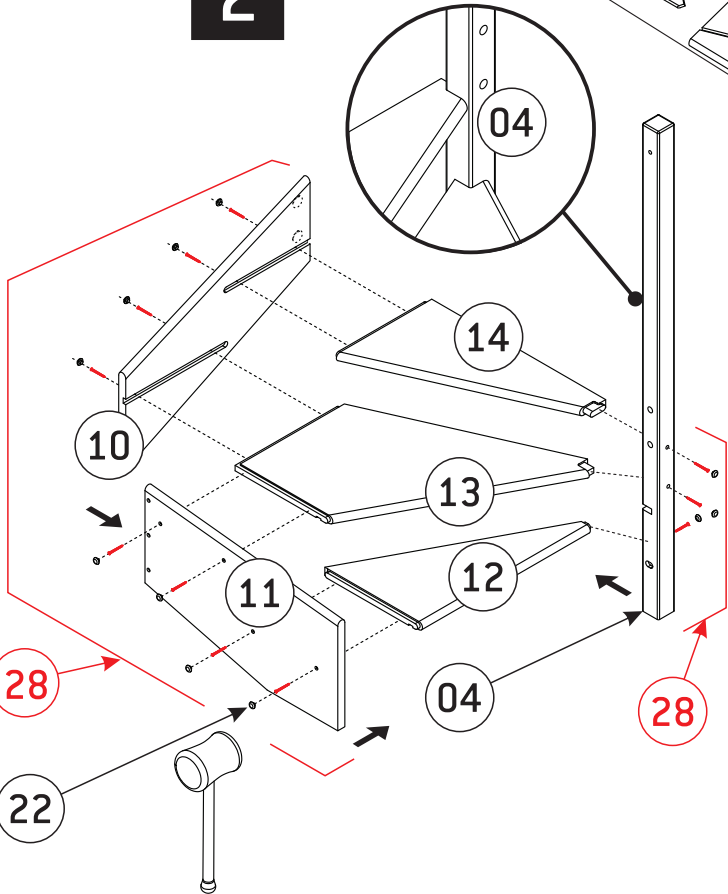
x2 x2 x4



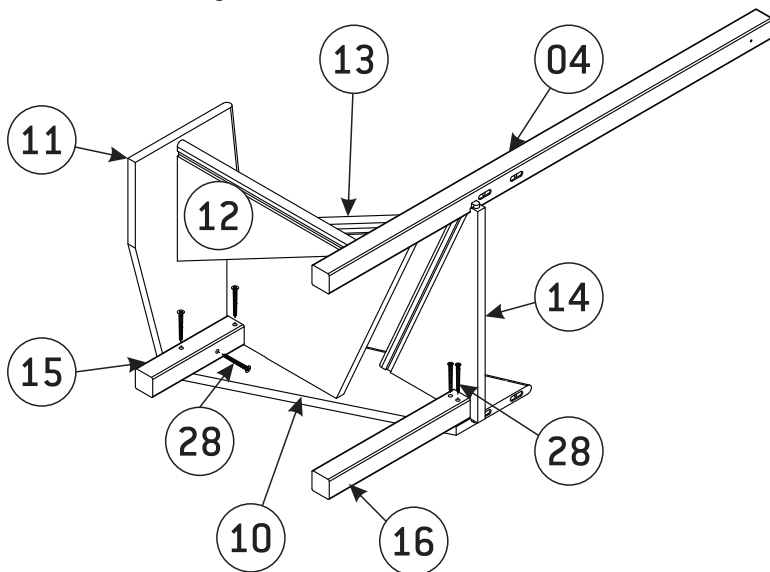
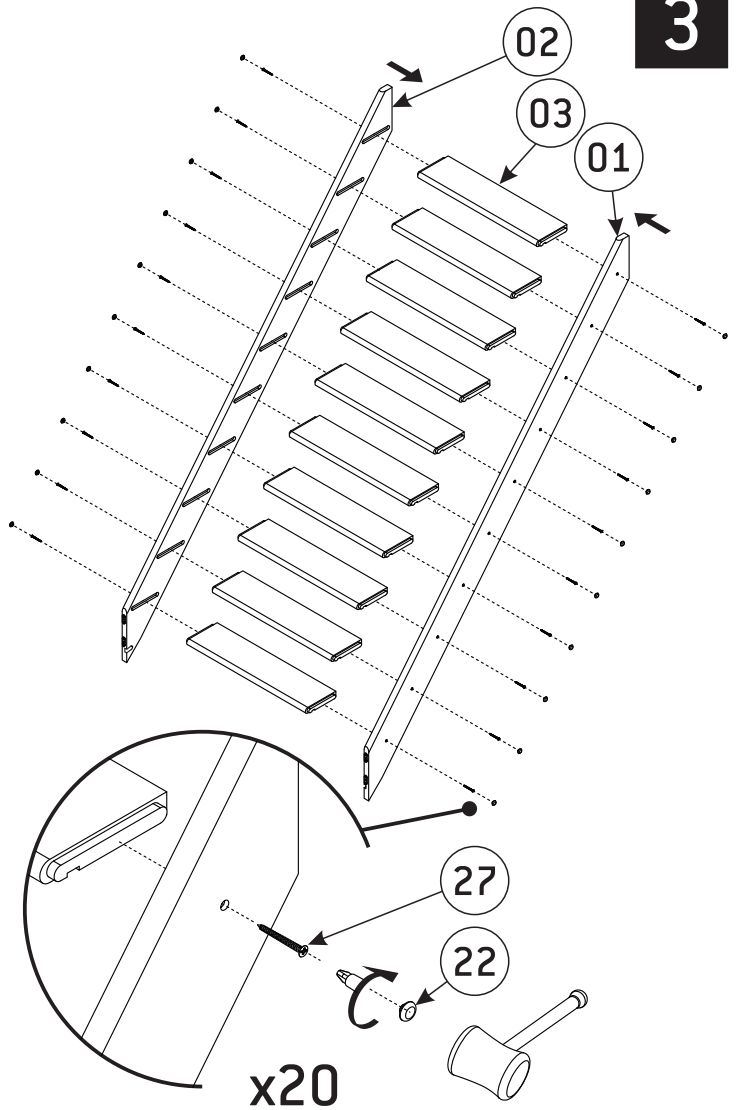
1



2

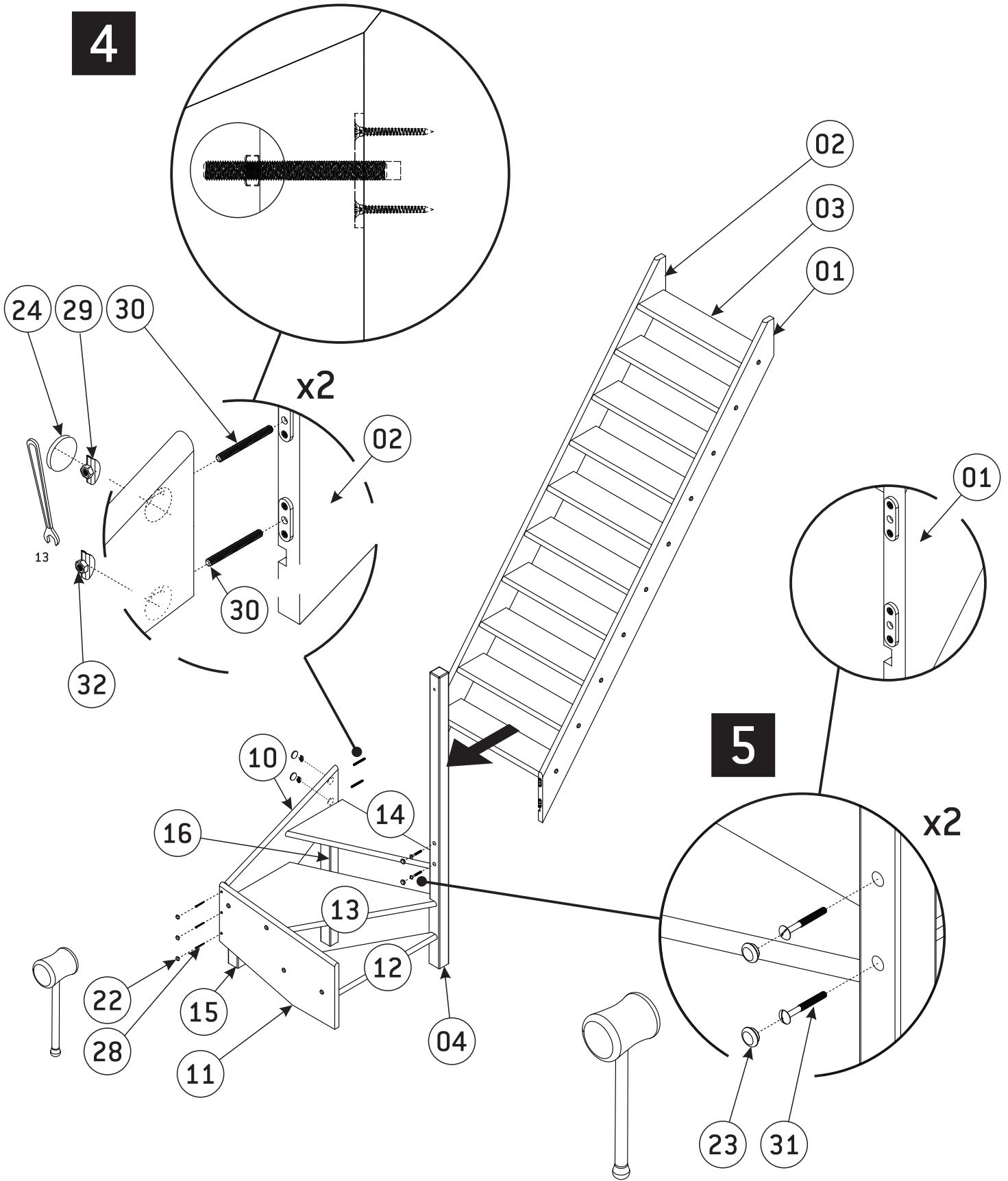


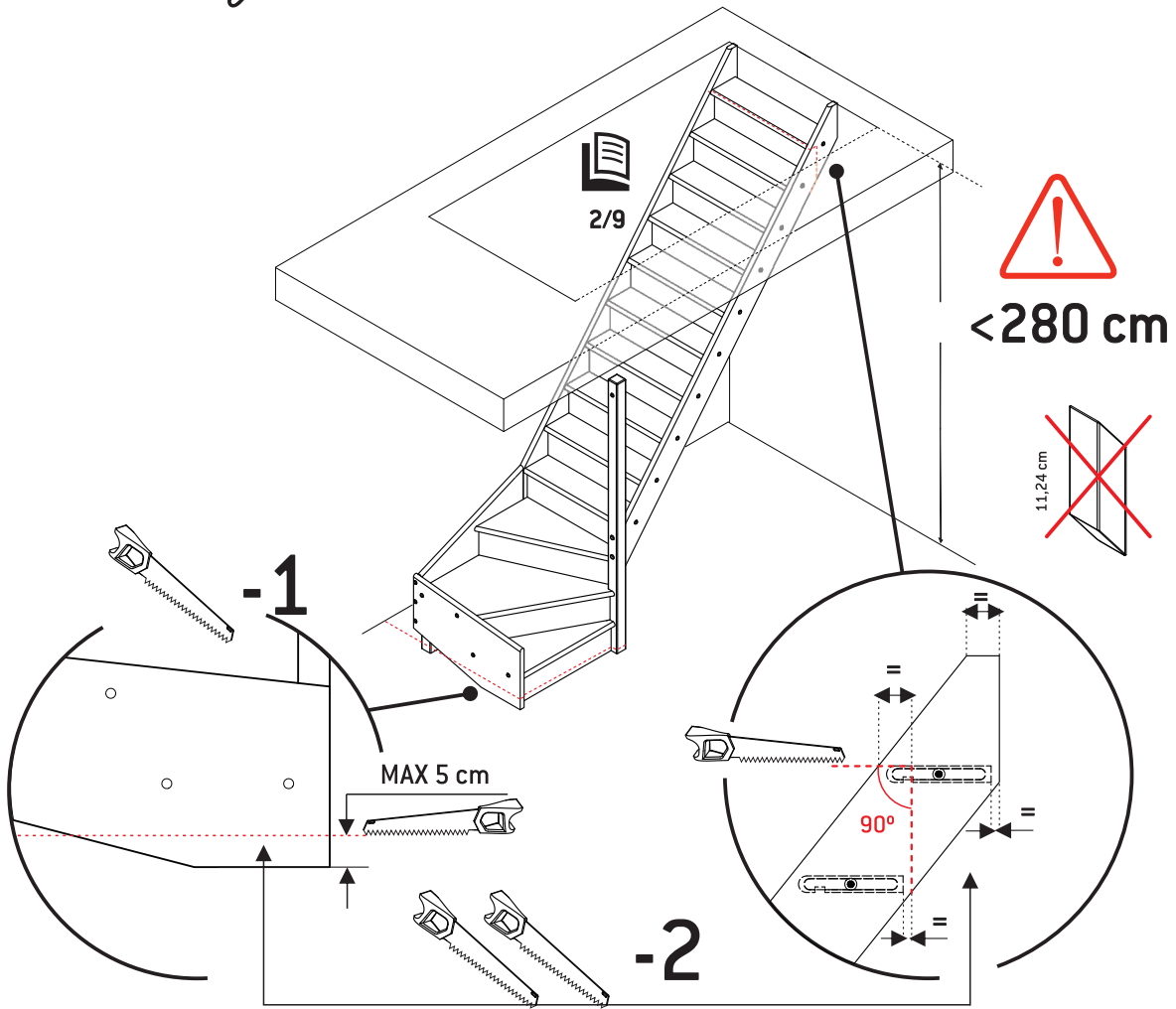
3



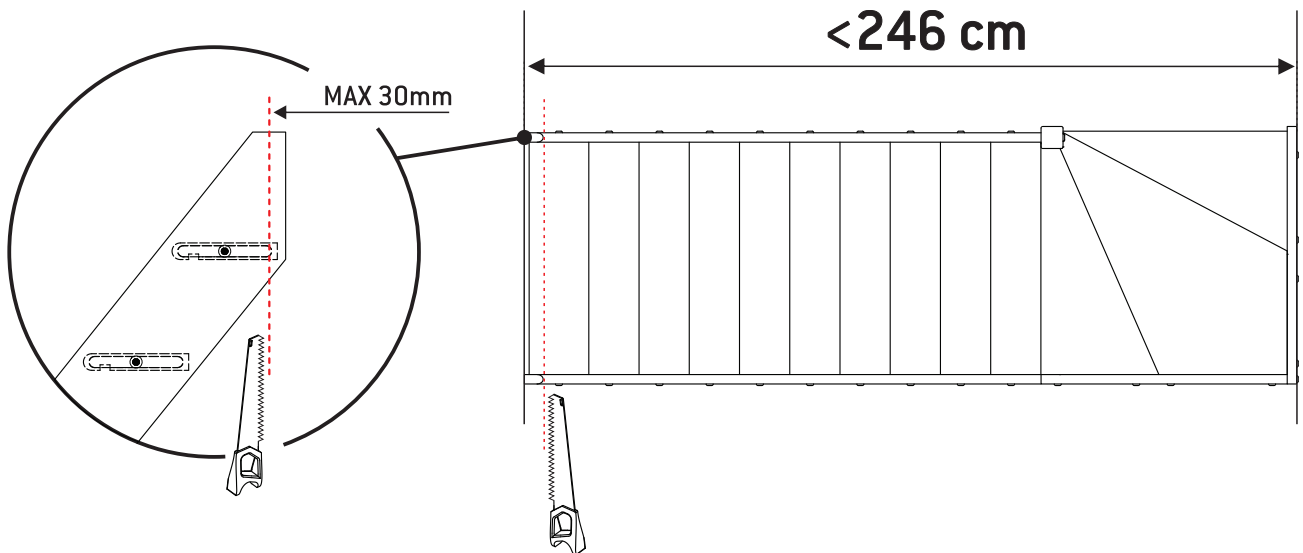


4



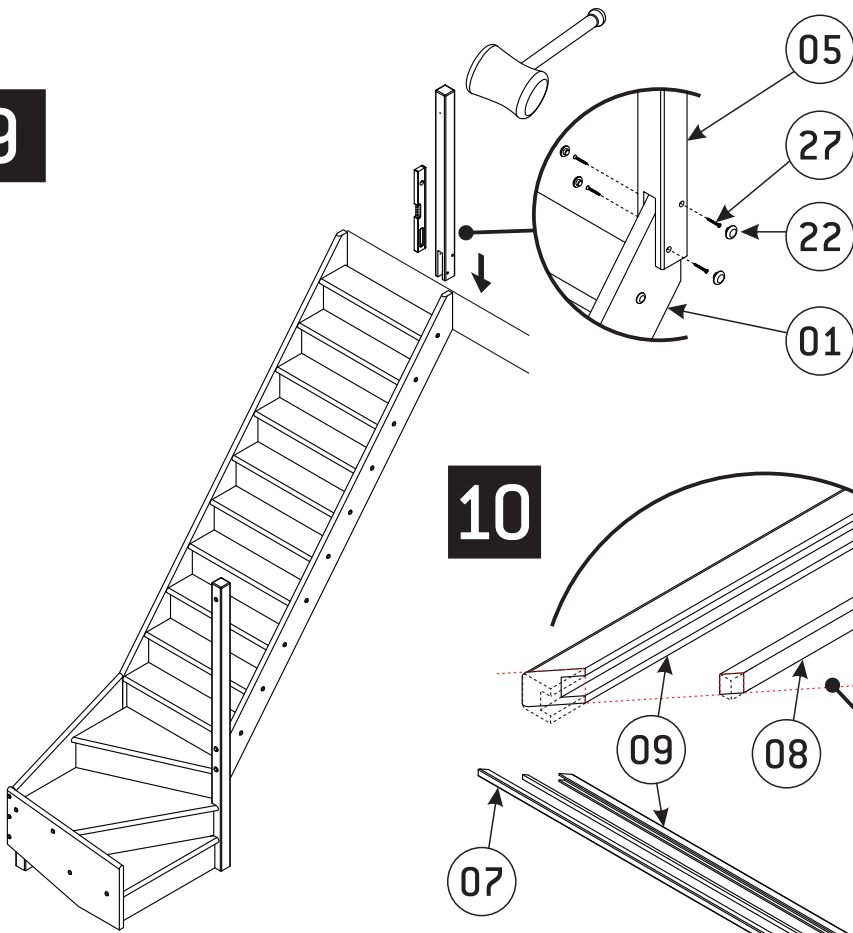


2/9

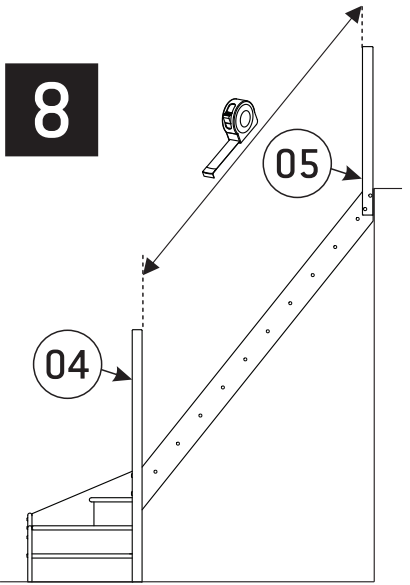




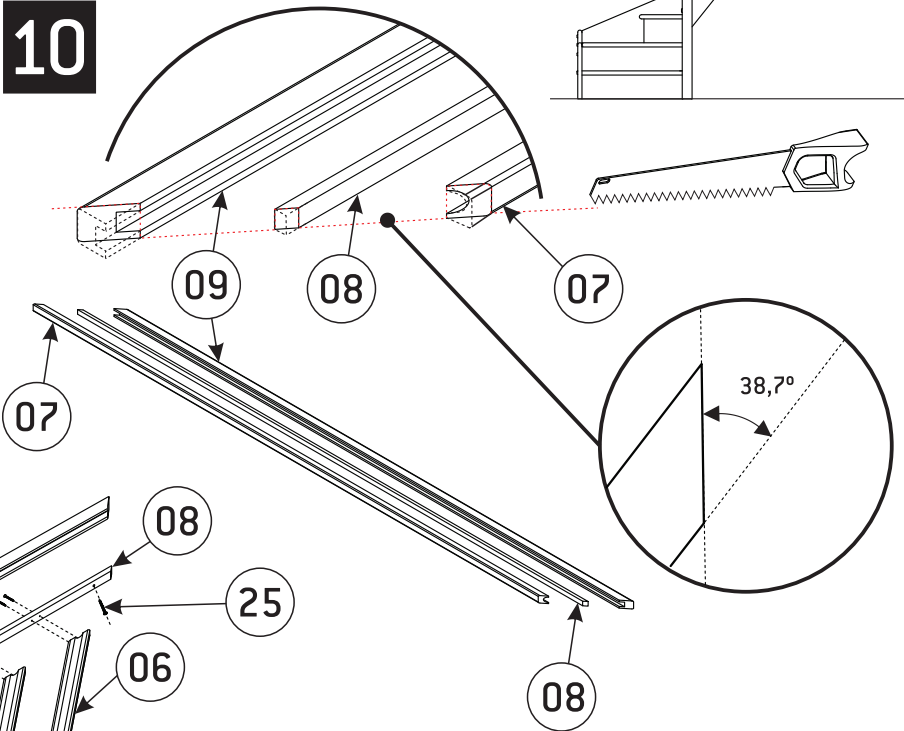
9



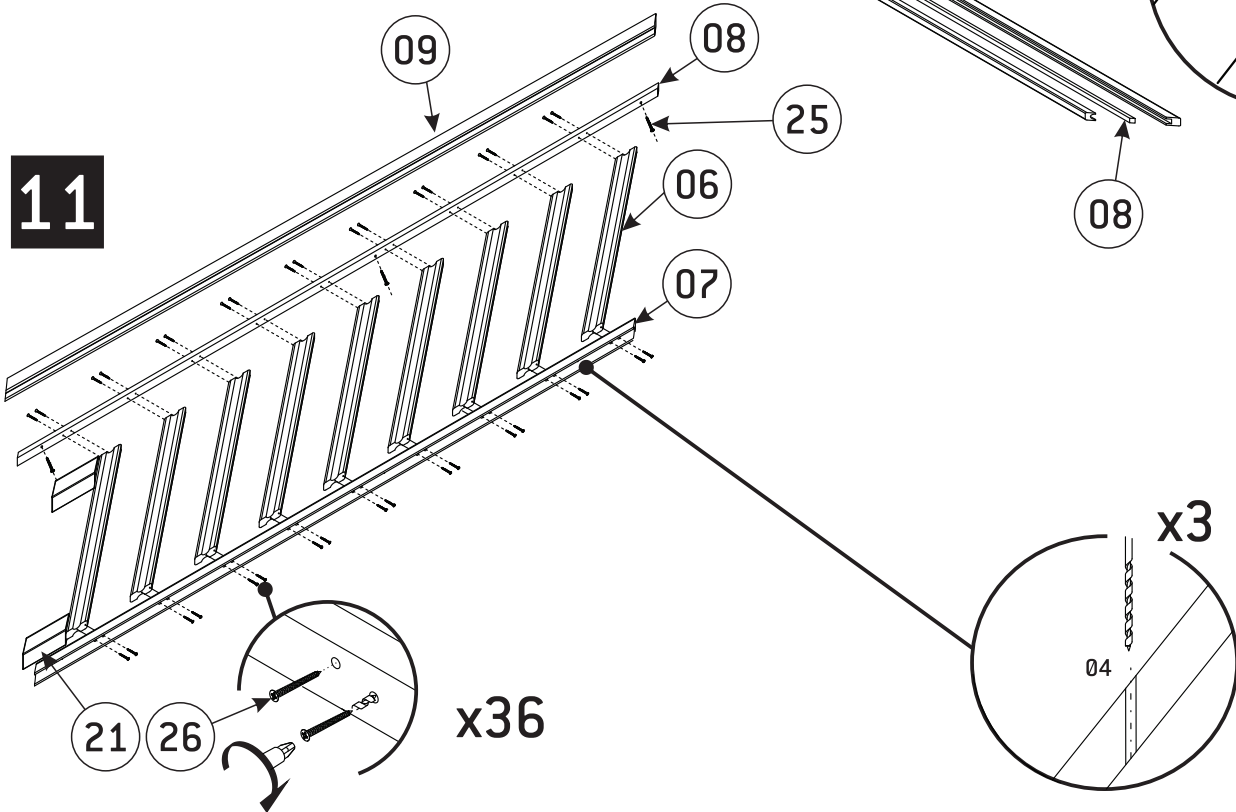
8



10

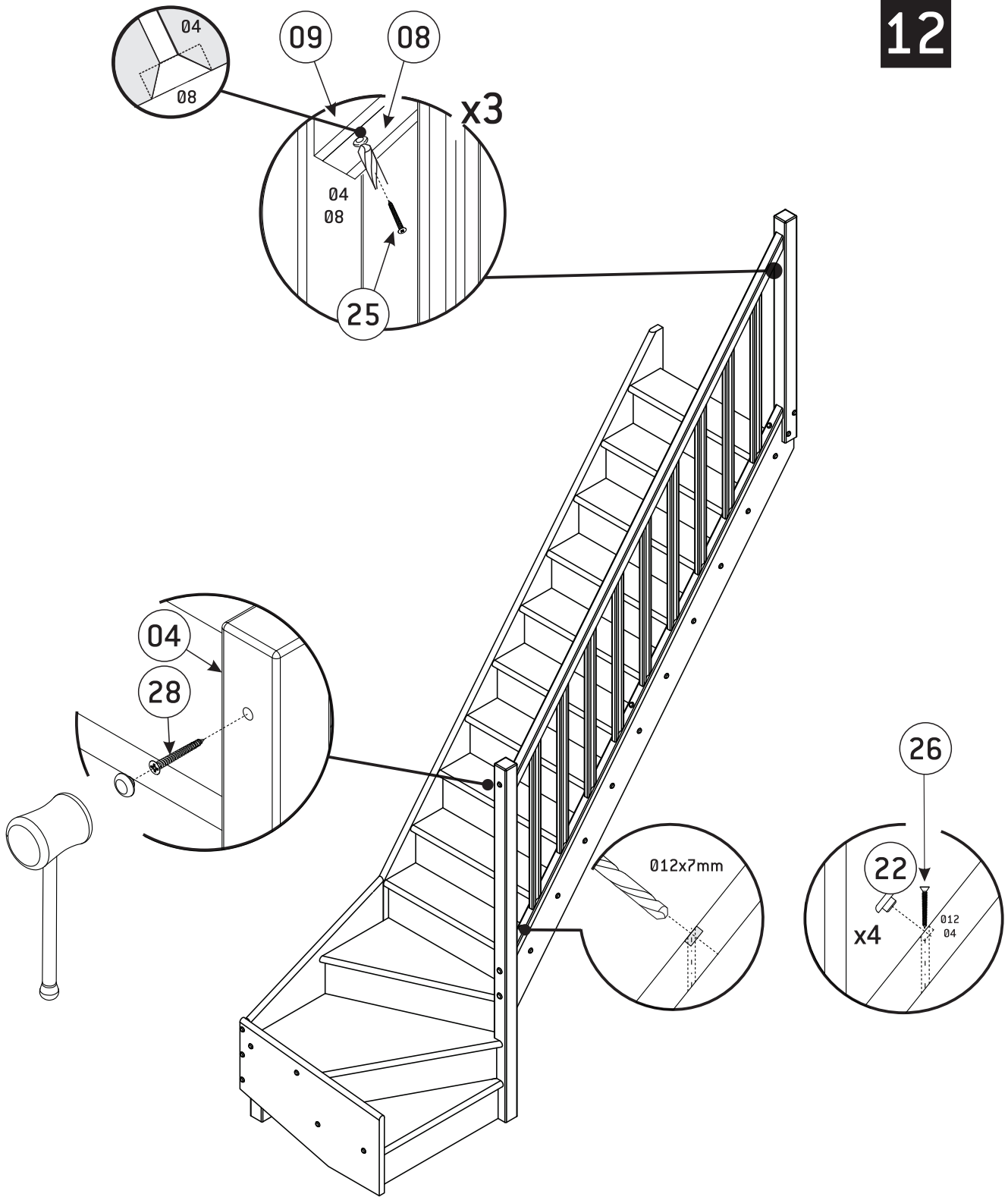


11





12



RUE GRIMARD,39 B-6061 MONTIGNIES-SUR-SAMBRE(CHARLEROI)-BELGIUM
TEL: +32/71/25.39.60 FAX: +32/71/25.39.72 E-MAIL: info@sogem-sa.com