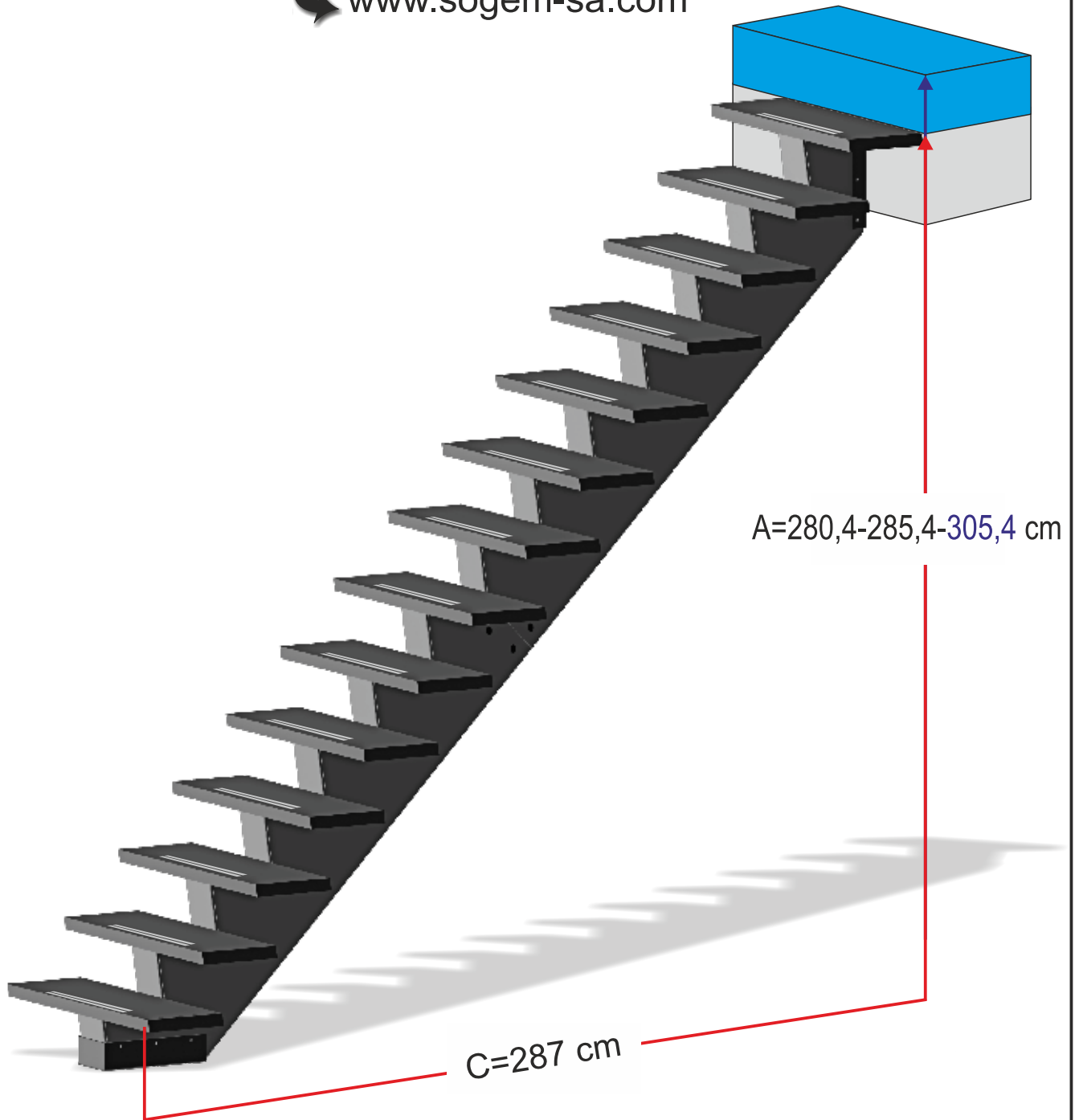




*Video*



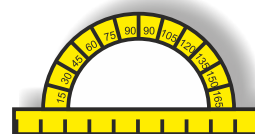
www.sogem-sa.com



# GAMME VOLCANO GOMERA ESCALIER DROIT



01 70043030  1946x380x150mm =1	02 70043031  1910x380x150mm =1	03 A 70042040 B 70042042  275x850x40mm =13	04 A 70042041 B 70042043  285x850x40mm =1
05 70042044  700x80x85mm =14	06 70041030  Φ5x25mm =87+2	07 70031033  M8x160mm =4	08 70041003  35x11x18mm =8
09 70031034  Φ40xΦ37x19 mm =8	10 70041004  M8 =8	11 70041026  50mm=>5x 16 40mm=>4x 16 30mm=>3x 16 20mm=>2x 16 150x10x20-50mm =4	12 70041006  M12xΦ16x80mm =8
13 70041007  Φ7x40mm =12	14 70041031  Φ16xΦ20 mm =52+2	15 70041032  Φ43xΦ50x6mm =8	16 70041016  149x375x10mm =5
17 70041033  382x159x84mm =1	18 70041034  315x162x50 =1	19 70041007  Φ6,3x60mm =29+2	20 70041028  hex 4mm =1
21 70041056  20 ml =1	22 S.P. 	23 70041058  M6x50mm =28+1	24 70041059  Φ16x15 mm =28



Pz2

Ph2



13 mm  
19 mm



Pz2



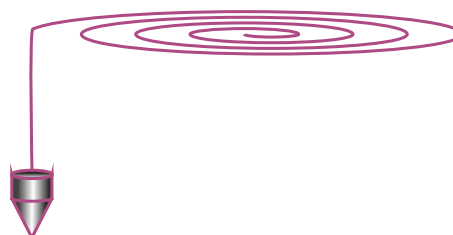
Ph2

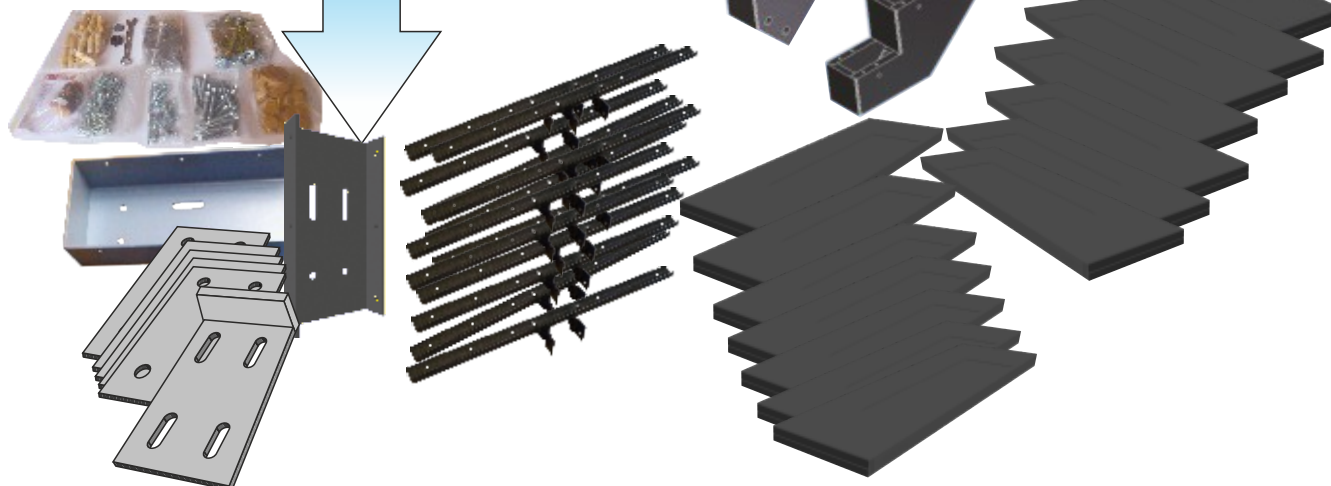
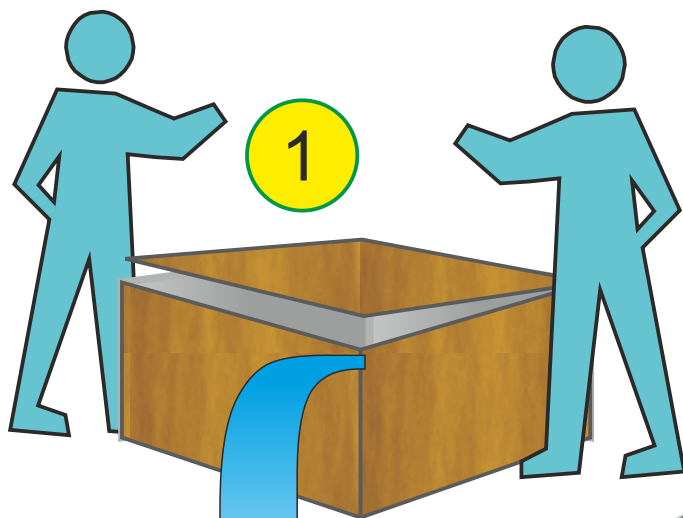


$\Phi 12 \times 120\text{mm}$

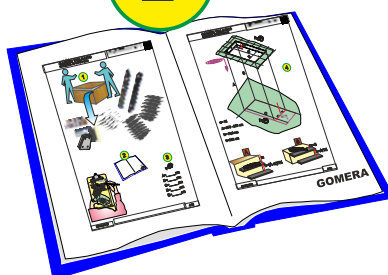


$\Phi 5 \times 70\text{mm}$

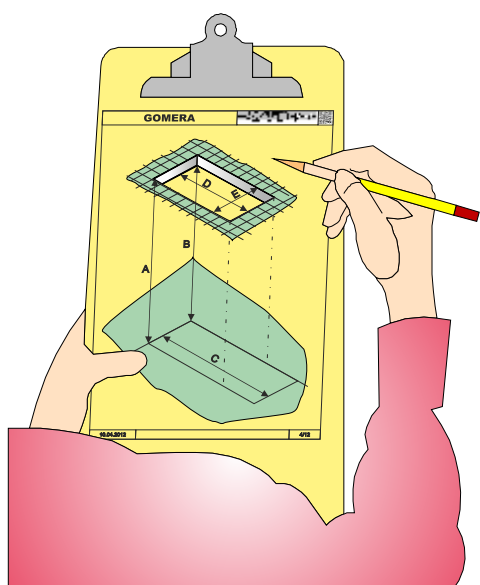




2



3



A= \_\_\_\_\_ cm

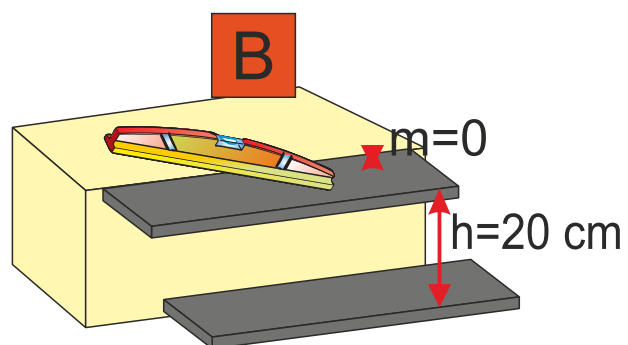
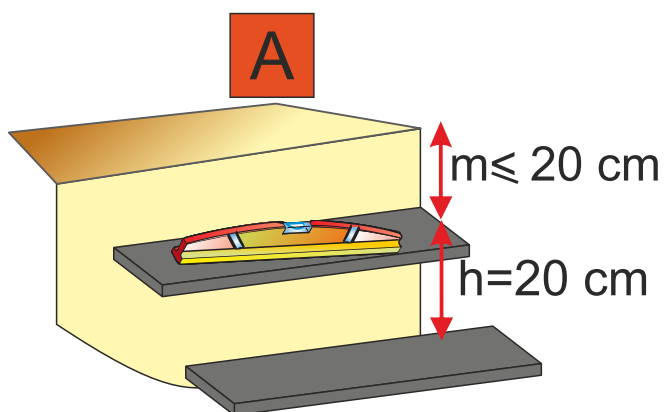
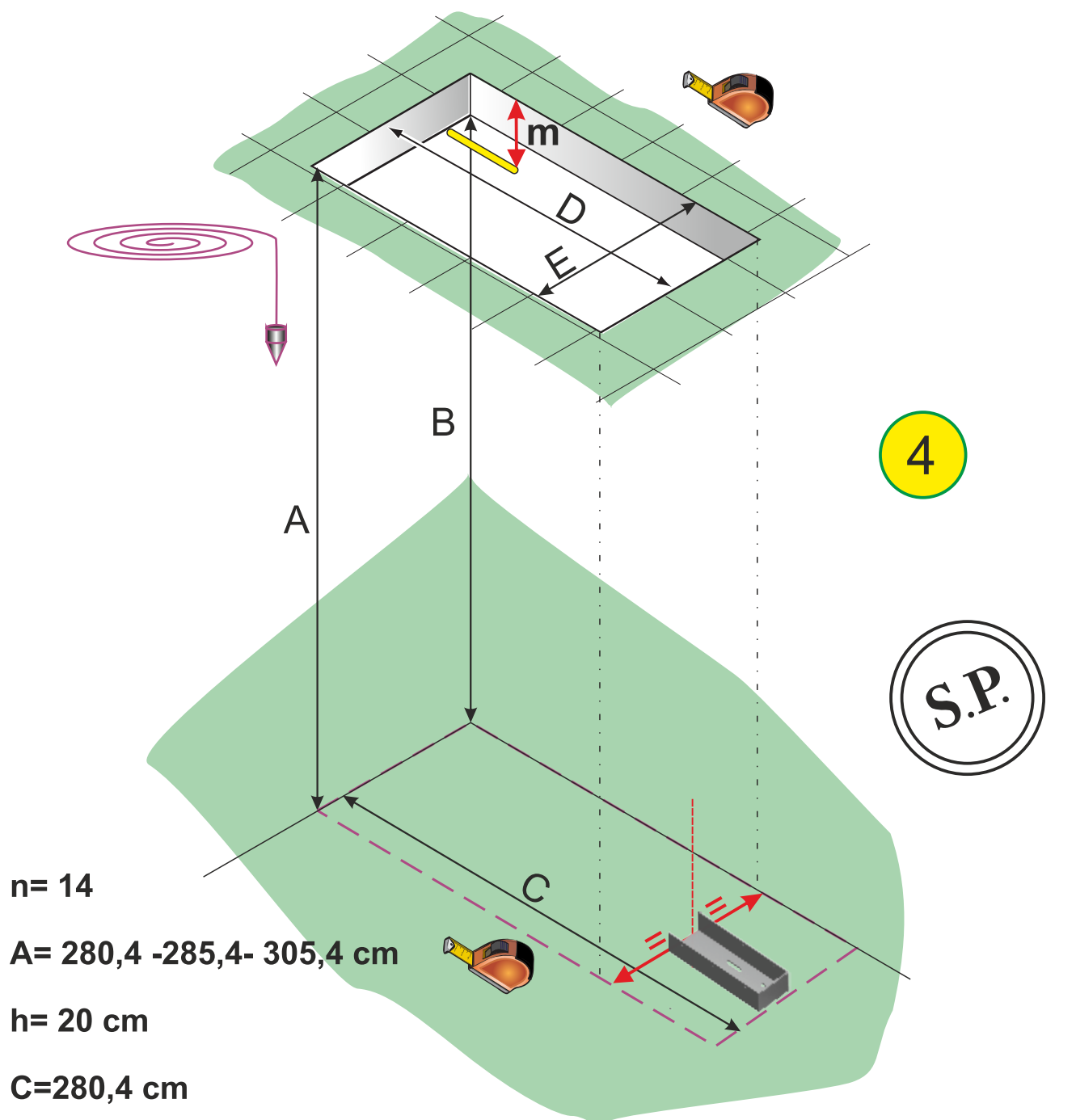
B= \_\_\_\_\_ cm

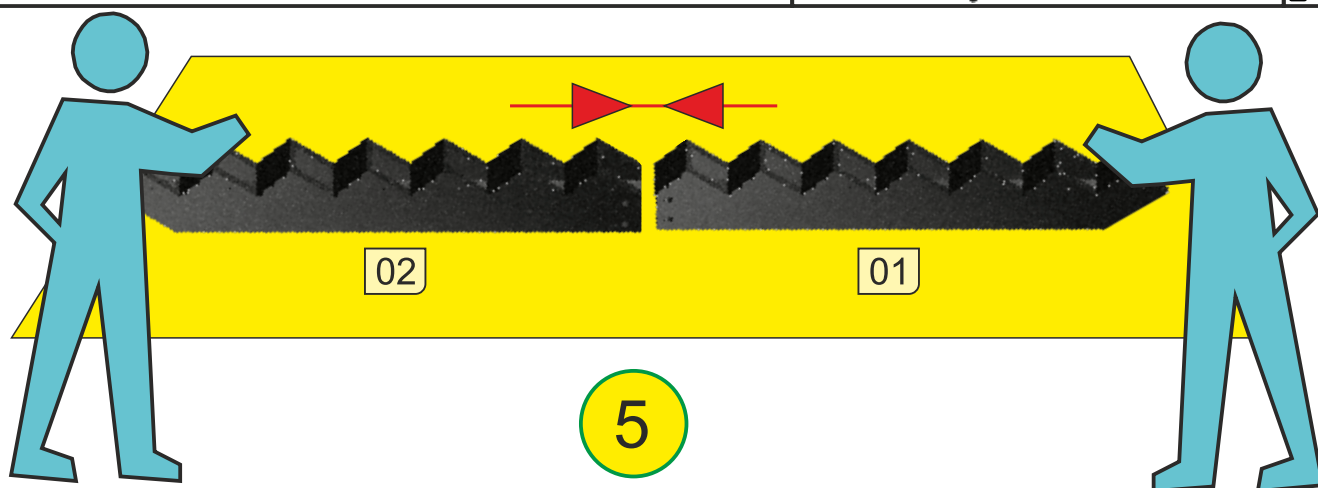
C= \_\_\_\_\_ cm

D= \_\_\_\_\_ cm

E= \_\_\_\_\_ cm







01

10

08 + 09

07

08

09

10

02

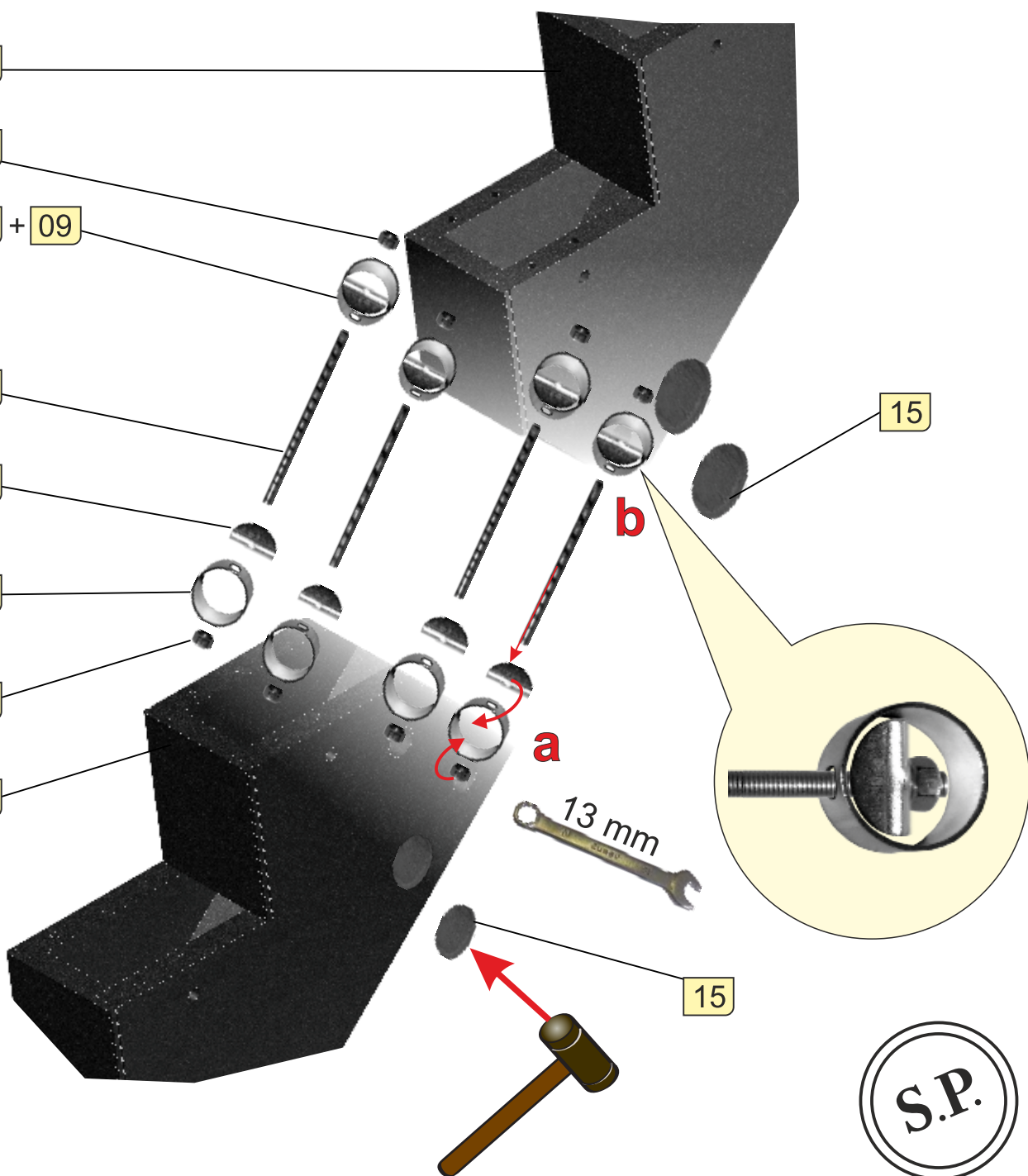
15

**b**

**a**

13 mm

15

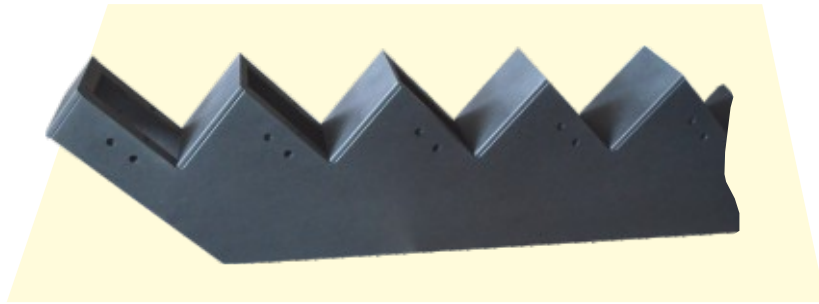






6

S.P.



05 x 1

23 x 2

A

24 x 2

19 x 2

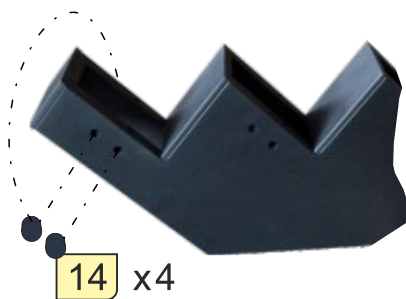
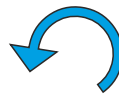
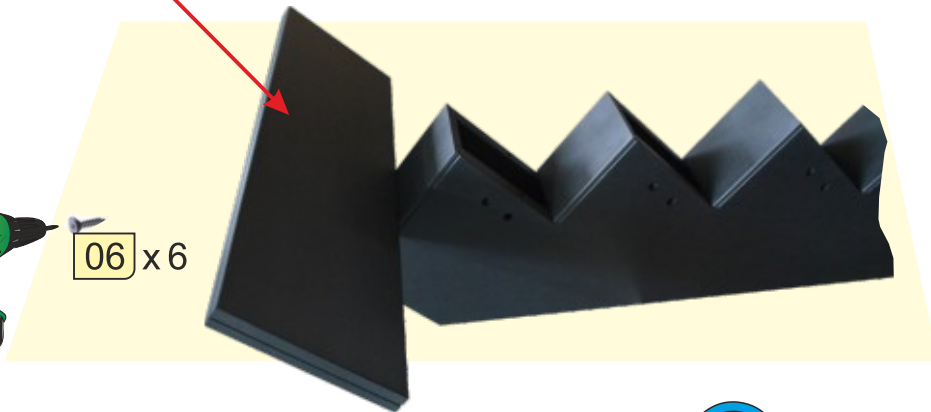
B



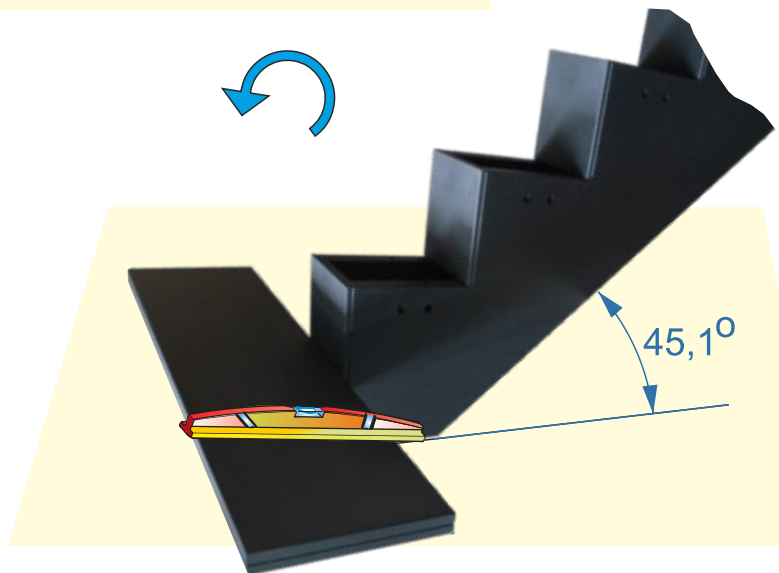
03 x 1



06 x 6



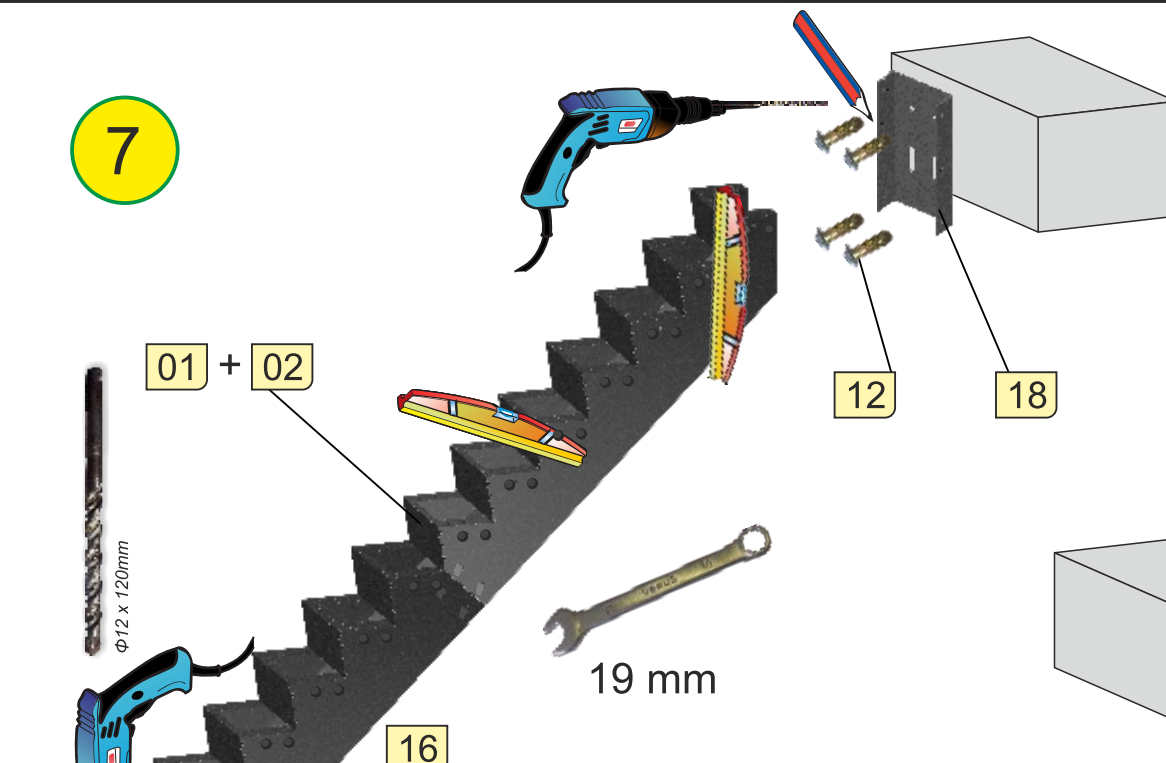
14 x 4



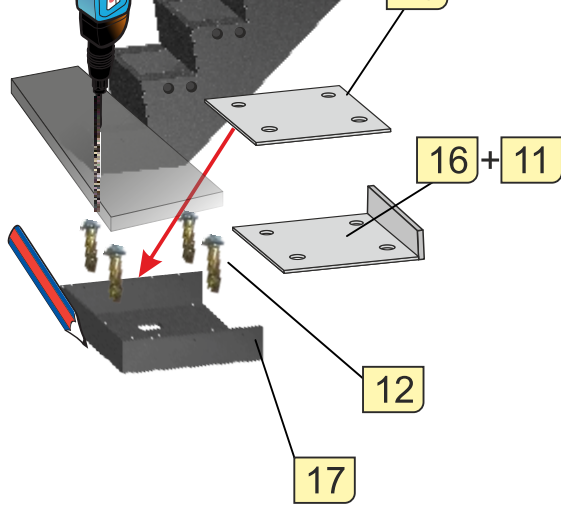
45,1°



**7**

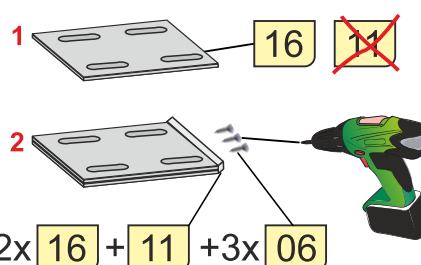
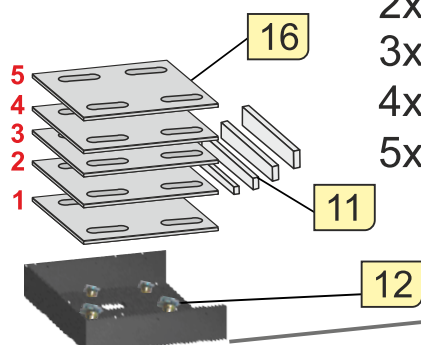


**8**



$h = 280,4 \dots 285,4 \text{ cm}$

- 0x **16** = 280,4 cm
- 1x **16** = 281,4 cm
- 2x **16+11** = 282,4 cm
- 3x **16+11** = 283,4 cm
- 4x **16+11** = 284,4 cm
- 5x **16+11** = 285,4 cm

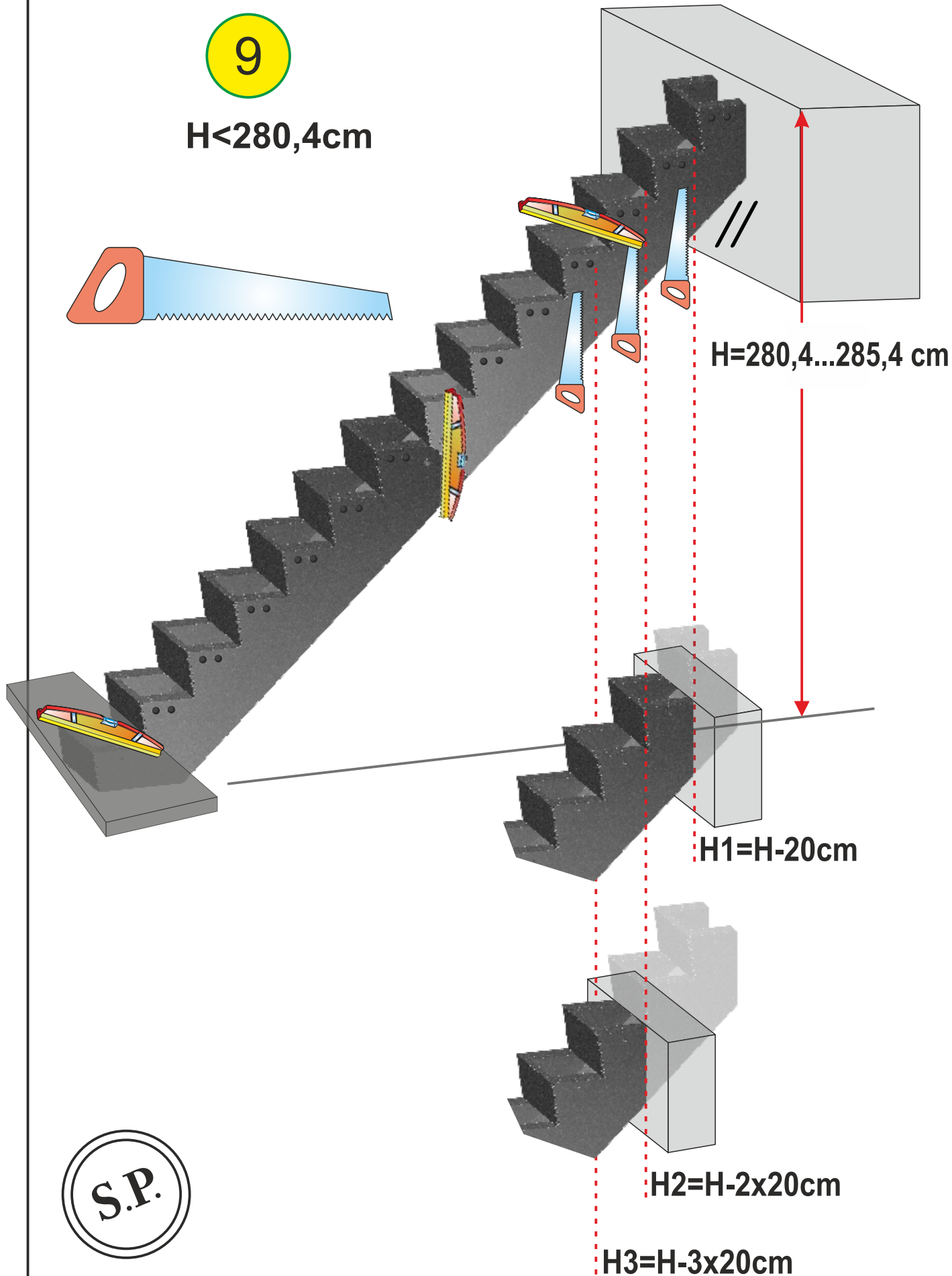
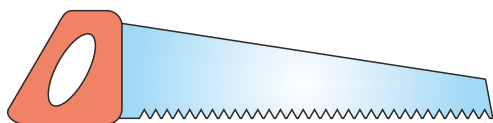


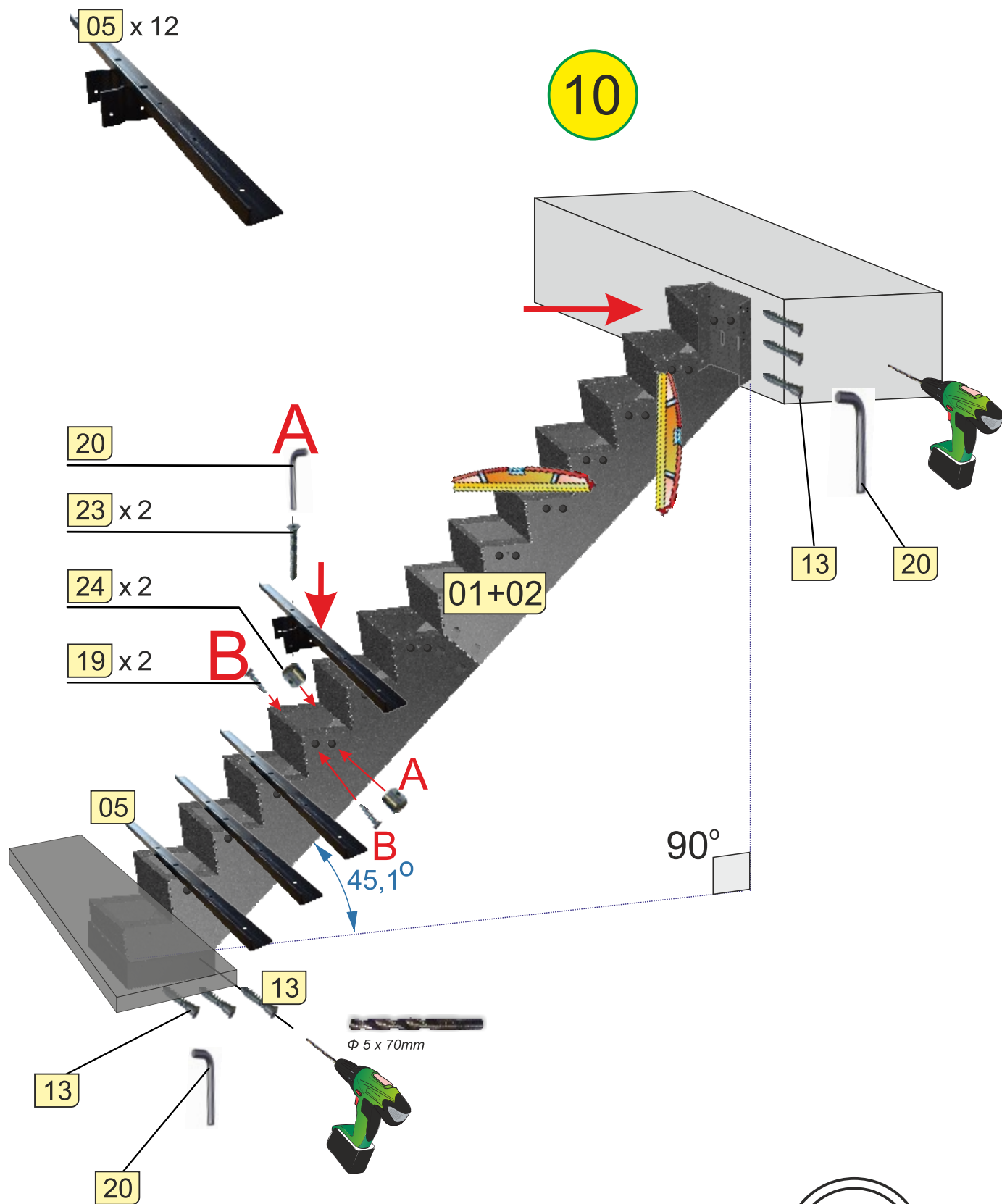




**9**

**H < 280,4 cm**







# kit LED

11



