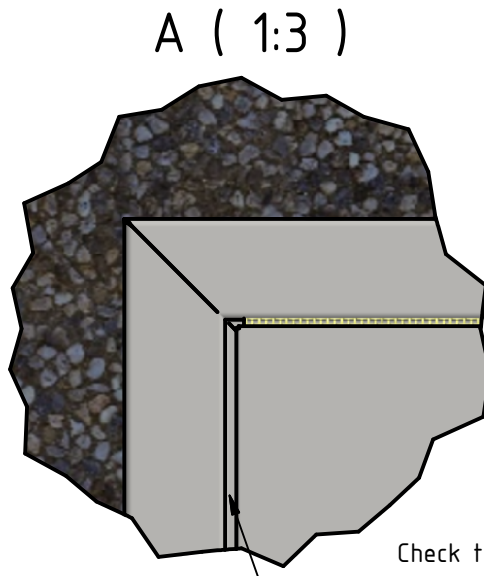
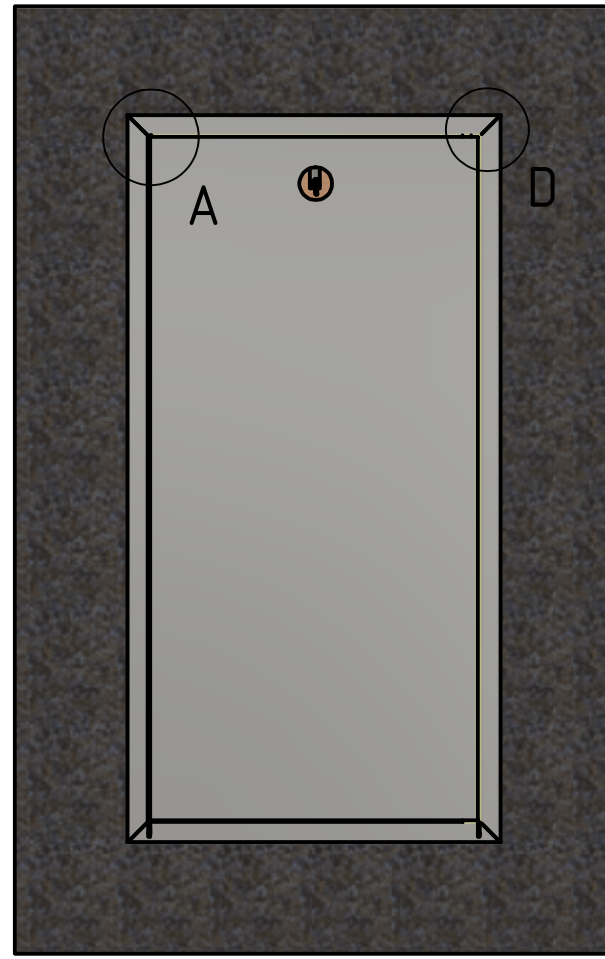


**Isotec**

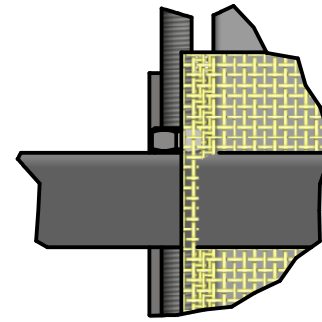
# Attic Ladder

It is recommended to mount the stair case after drying-up of the screed, as it otherwise can lead to corrosion damages due to the high humidity!

- 120 x 70
- 110 x 70
- 130 x 70
- 120 x 60
- 140 x 70
- customised production

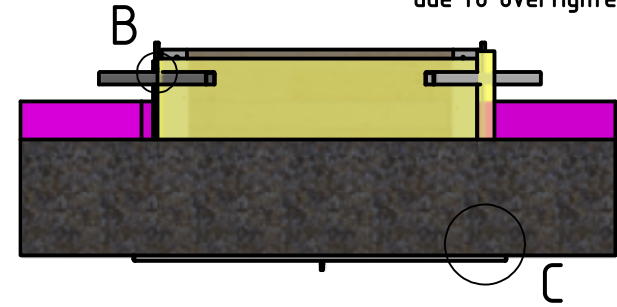


B ( 1:2 )

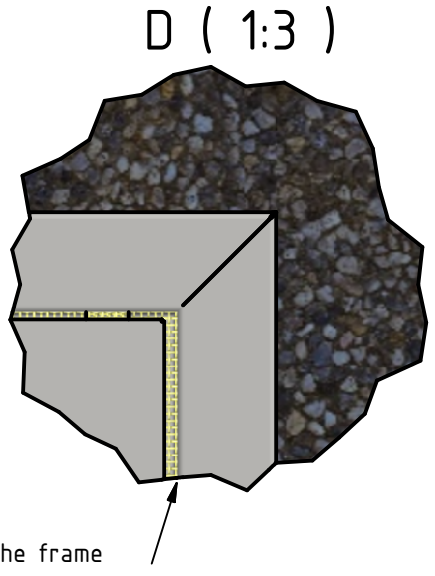


Check the uniformity of the gap between the frame and the lower cover on both sides. This is absolutely necessary for the tightness of the stairs.

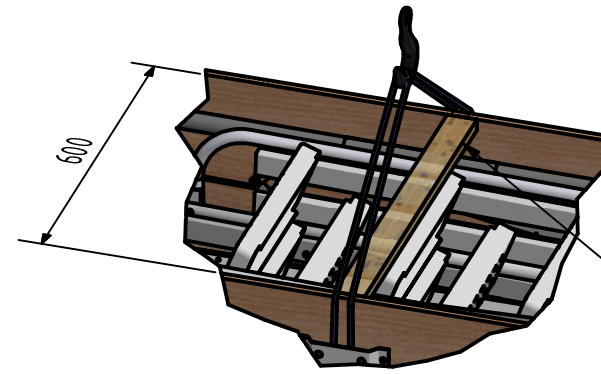
Tighten the nuts evenly until the frame rest flat to the ceiling (detail C).  
**Attention!** (Danger of deformation of the frame due to overtightening of the nuts)



If the staircase should be installed before the screed is dried-up, the underside of the staircase must be completely covered with foil!



When mounting with a strap, fix it on the stiffening plate and on the rotary kiln.

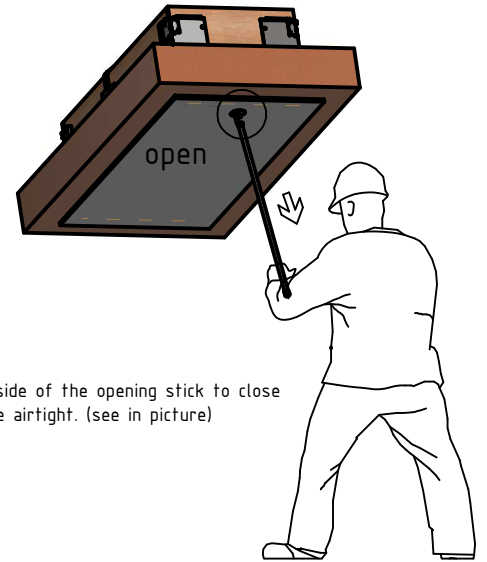


In order to avoid damages on the OSB frame, use a wooden baton as stabilization.

Opening and closing the attic stairs!  
to ensure air tightness, the loft ladder requires a light contact pressure for proper sealing



Press with backside of the opening stick to close staircase airtight. (see in picture)



# INSTALLATION INSTRUCTIONS FOR WIPPRO LOFT LADDERS

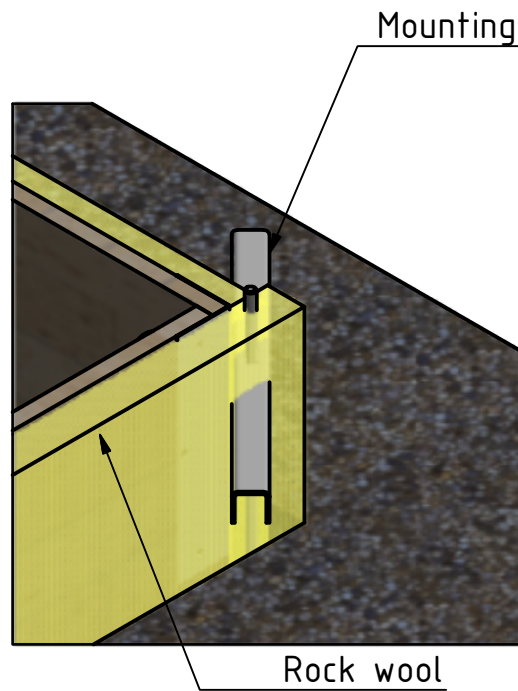
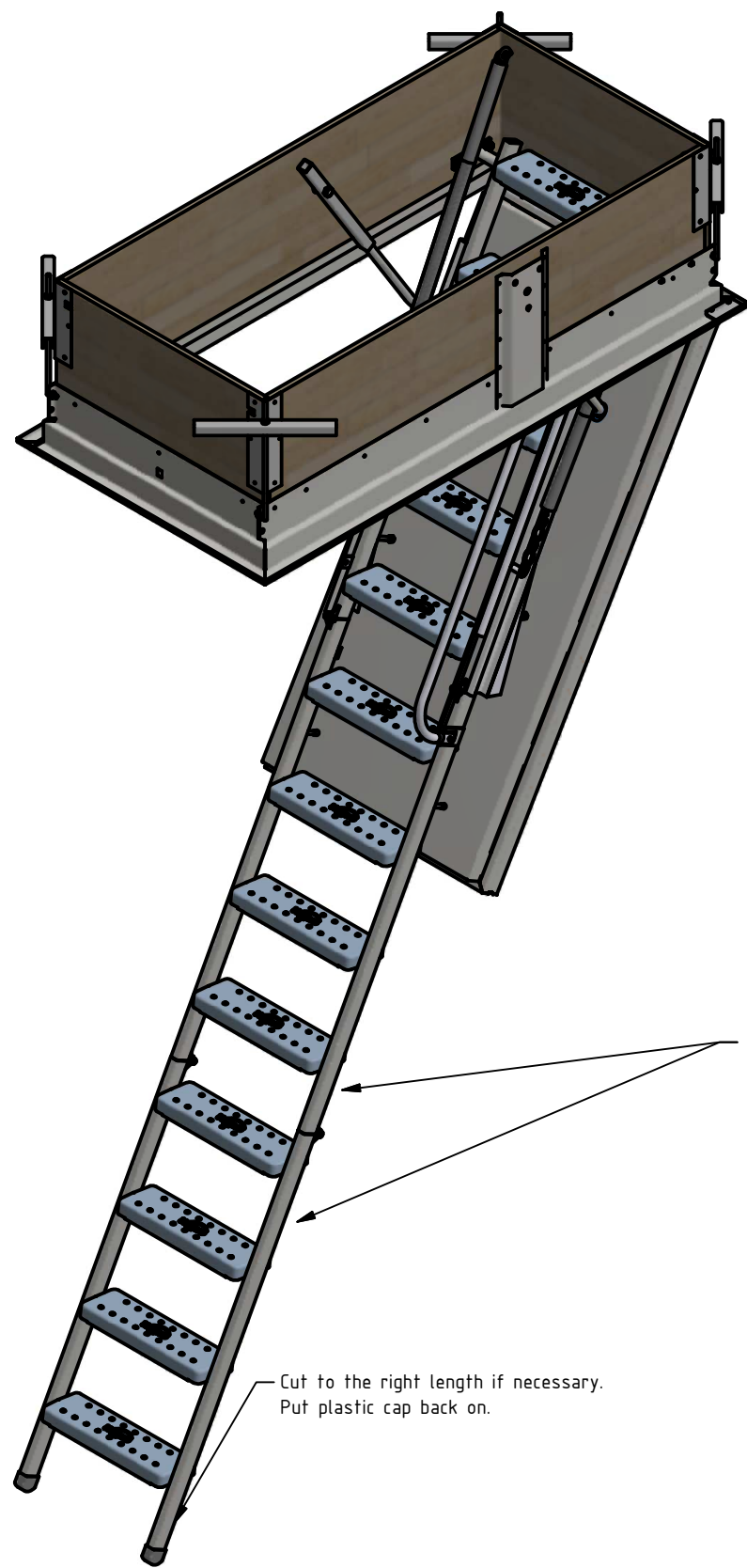
## PACKAGE INCLUDES ADDITIONAL

- 1 pcs. tension rod
- 4 pcs. mounting brackets
- 8 pcs. M8 nuts (mounted on threaded rods)
- 4 pcs. M8 threaded rods with elbow union

## BEFORE INSTALLING PLEASE CHECK

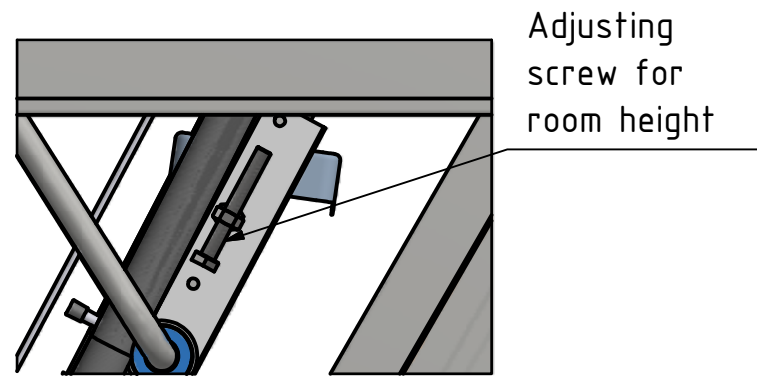
- IF THE DIMENSIONS ARE CORRECT
- IF THE PACKAGE IS COMPLETE AND
- IF THE STAIRCASE HAS VISIBLE DAMAGES

In case of any visible damages please contact your seller immediately, as subsequent complaints will not be acknowledged.



### **Adjusting the room height:**

The sizes 140x70 and 130x70 are adjustable between a room height of 255 - 275 cm, the size 120x70 between a room height 250 - 265 cm. 2 adjusting screws form the stop of the opening angle (ball bearing stops at the screw). By turning in or out the "M10 screw", the room height can be set exactly. Make sure that the stairs form a straight line.  
If the stairs are too long, both stairs can be shortened at the bottom. After shortening, attach the end caps to the stair rails again.  
If the stairs are too short, the two lower stair parts must be replaced



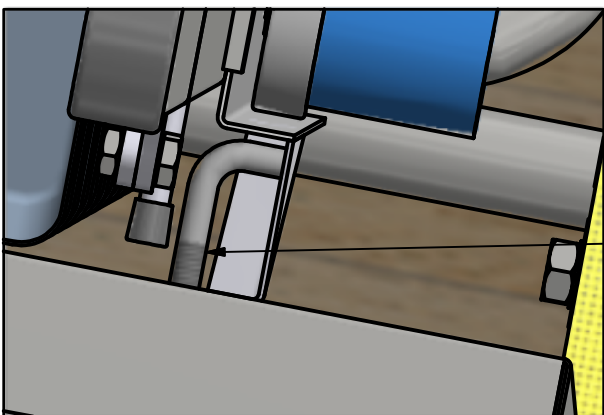
- 1) The installation of the loft ladder is best done by 3 people.
- 2) Install the 4 pcs. "M8 threaded rods with the elbow union" to the 4 frame corners.
- 3) Two persons now lift the loft ladder into the ceiling opening. It is advisable to secure the stairs from below to avoid falling down.
- 4) The person working on the attic now puts the mounting brackets over the threaded rods, which were fastened to the 4 corners of the hatch box.
- 5) Make an airtight connection between the cover frame and the ceiling. We recommend the "Wippro Blower Door Set".
- 6) Tighten the "M8 nuts" evenly until the frame rests horizontally and at right angles to the ceiling.
- 7) After installing the loft ladder, the gap between the staircase and the ceiling must be completely filled with rock wool to get the perfect insulation. Check from the attic side whether the rubber seal of the frame is completely against the lower cover.
- 8) Adjusting the room height: SEE DRAWING
- 9) The ladder is designed that it can be retrofitted with an upper cover at any time (accessory ADH). Information can be obtained from your shopping centre or directly from the producer WIPPRO.

**Warranty is only possible by proper installation of the stairs**

### **Lower cover adjustment**

If the stair is not exactly horizontal, it is possible to set this. On the lower cover there are 2 screws, which connect the lower cover with the stairs.  
If the lower cover does not close exactly, the cover can be precisely adjusted by turning the screws in or out.

- 1) Loosen the nut and turn the hooked screw to the left or right. (After adjustment the hooked screw must be again at right angles to the slide rail)
- 2) Tighten the nuts again!



**WIPPRO GmbH**  
 Gewerbestraße 2  
 A-4191 Vorderweißenbach  
 Tel.: +43 (0) 7219/7004-0  
 Fax: +43 (0) 7219/7004-76  
 www.wippro.at  
 UID: ATU70022548 FN: 443107 d  
 info@wippro.at