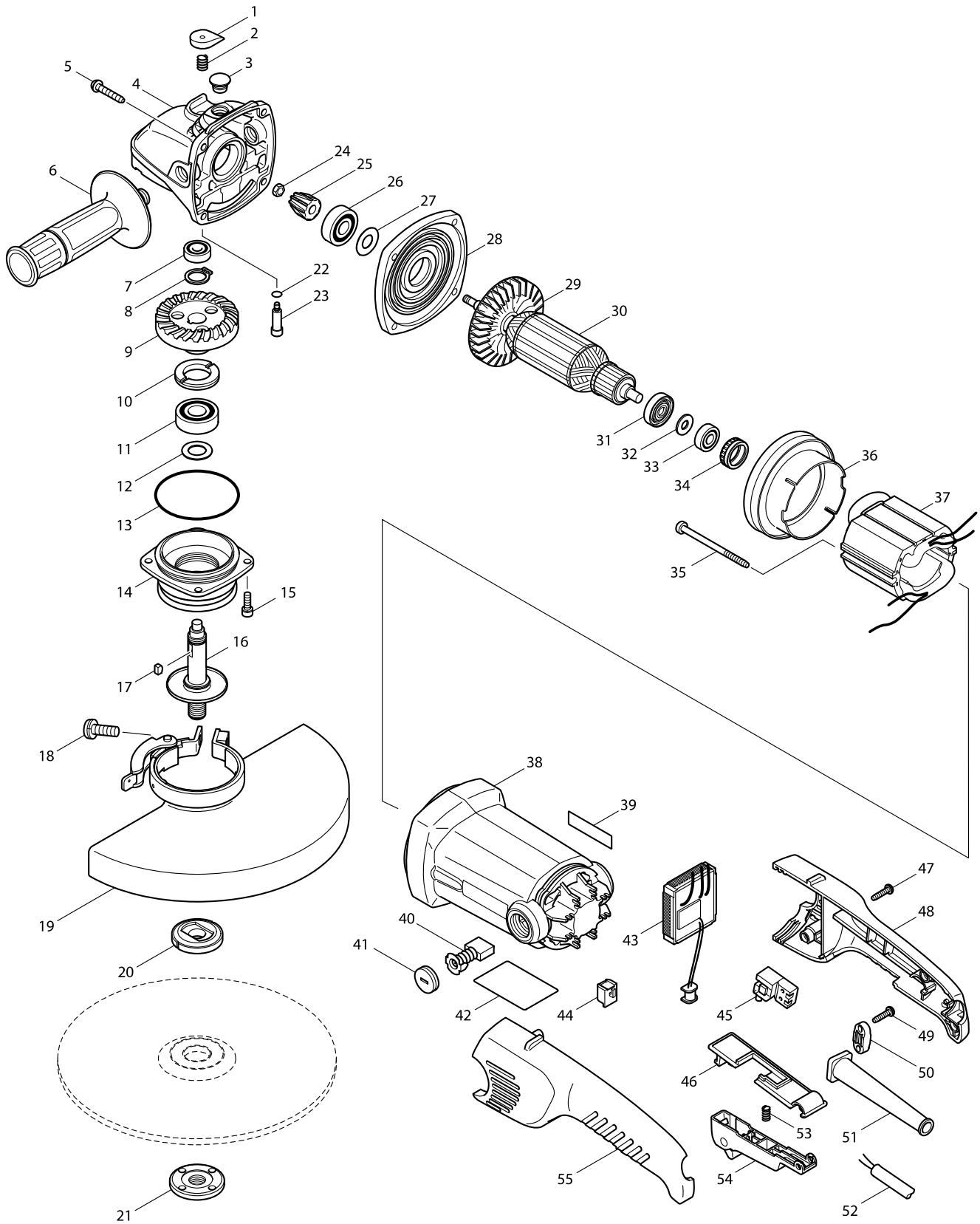


Model No. GA9010C ANGLE GRINDER 230MM



Model No. GA9010C ANGLE GRINDER 230MM

Item	Parts No.	Description	I/C	Qty	N/O	Opt. 1	Opt. 2	Note
001	418517-3	PIN CAP		1				
002	231037-8	COMPRESSION SPRING 7		1				
003	416972-3	CAP		1				
004	317752-9	GEAR HOUSING		1	*			
004-1	318817-0	GEAR HOUSING	O	1				
005	266173-1	TAPPING SCREW 5X30		4				
006	152539-0	GRIP 36 COMPLETE		1				
007	211031-6	BALL BEARING 608LLB		1	*			
007-1	210043-6	BALL BEARING 608LLB	O	1				
008	961055-9	RETAINING RING S-15		1				
009	227457-2	SPIRAL BEVEL GEAR 43		1				
010	285809-3	BEARING RETAINER 23-36		1				
011	211228-7	BALL BEARING 6202DDW		1				
012	267215-4	FLAT WASHER 15		1				
013	213720-9	O RING 67		1				
014	317754-5	BEARING BOX		1	*			
014-1	318376-4	BEARING BOX	S	1				
015	922221-3	HEX. SOCKET HEAD BOLT M5X16		4				
016	153785-8	SPINDLE COMPLETE		1				
017	254011-9	WOODRUFF KEY 4		1				
018	265050-4	PAN HEAD SCREW M8X25		1	*			
019	163445-4	WHEEL COVER		1	*			
019-1	122847-3	TOOLLESS WHEEL COVER 230K	S	1				
020A	224298-7	INNER FLANGE 42		1	*			
020B	122444-5	INNER FLANGE 47 ASS'Y		1				
020-1A	224415-9	INNER FLANGE 42	<	1	*			
020-2A	224490-5	INNER FLANGE 14-45	O	1				
021	224543-0	LOCK NUT 14-45		1				
022	213026-5	O RING 7		1				
023	256483-4	SHOULDER PIN 7		1				
024	931303-0	HEX. NUT M6		1				
025	227456-4	SPIRAL BEVEL GEAR 9		1				
026	211106-1	BALL BEARING 6201LLB		1				
027	253759-0	FLAT WASHER 12		1				
028	317753-7	GEAR HOUSING COVER		1				
029	240070-9	FAN 76		1				
030	513568-2	ARMATURE ASS'Y 220-240V		1				
D10		INC. 29,31-33						
031	681660-3	INSULATION WASHER		1				
032	267281-1	FLAT WASHER 8		1				
033	210005-4	BALL BEARING 608DDW		1				
034	421720-7	RUBBER RING 22		1				
035	266059-9	TAPPING SCREW 5X75		2				
036	418516-5	BUFFLE PLATE		1				
037	625704-9	FIELD 220-240V		1	*			
037-1	625704-9	FIELD 220-240V	O	1				
038	183778-1	MOTOR HOUSING		1	*			
C10	643712-8	BRUSH HOLDER		2	*			

Model No. GA9010C ANGLE GRINDER 230MM

Item	Parts No.	Description	I/C	Qty	N/O	Opt. 1	Opt. 2	Note
D10		INC. 39			*			
038-1	153786-6	MOTOR HOUSING COMPLETE	<	1				
C10	643712-8	BRUSH HOLDER		2				
039	819063-3	MAKITA LABEL		2	*			
040	191957-7	A.C. CARBON BRUSH CB-204		1				
041	643700-5	BRUSH HOLDER CAP 7-18		2				
042	860297-1	NAME PLATE GA9010C		1				
043	631598-2	CONTROLLER		1				
044	418518-1	SLEEVE		1				
045	651922-3	SWITCH TG71B		1	*			
045-1	650677-7	SWITCH C3PA-1112	<	1	*			
045-2	651922-3	SWITCH TG71B	<	1				
046	418519-9	SWITCH BASE		1				
047	265995-6	TAPPING SCREW 4X18		4				
048	183783-8	HANDLE SET		1				
D10		INC. 55						
049	265995-6	TAPPING SCREW 4X18		2				
050	687052-4	STRAIN RELIEF		1	*			
050-1	687124-5	STRAIN RELIEF	O	1				
051	682573-1	CORD GUARD 10		1				
052	665865-3	POWER SUPPLY CORD 1.0-2-2.5		1				
053	233117-6	COMPRESSION SPRING 6		1				
054	153787-4	SWITCH LEVER COMPLETE		1	*			
054-1	153788-2	SWITCH LEVER COMPLETE	<	1				
055	183783-8	HANDLE SET		1				
D10		INC. 48						
A01	782407-9	LOCK NUT WRENCH 35		1				