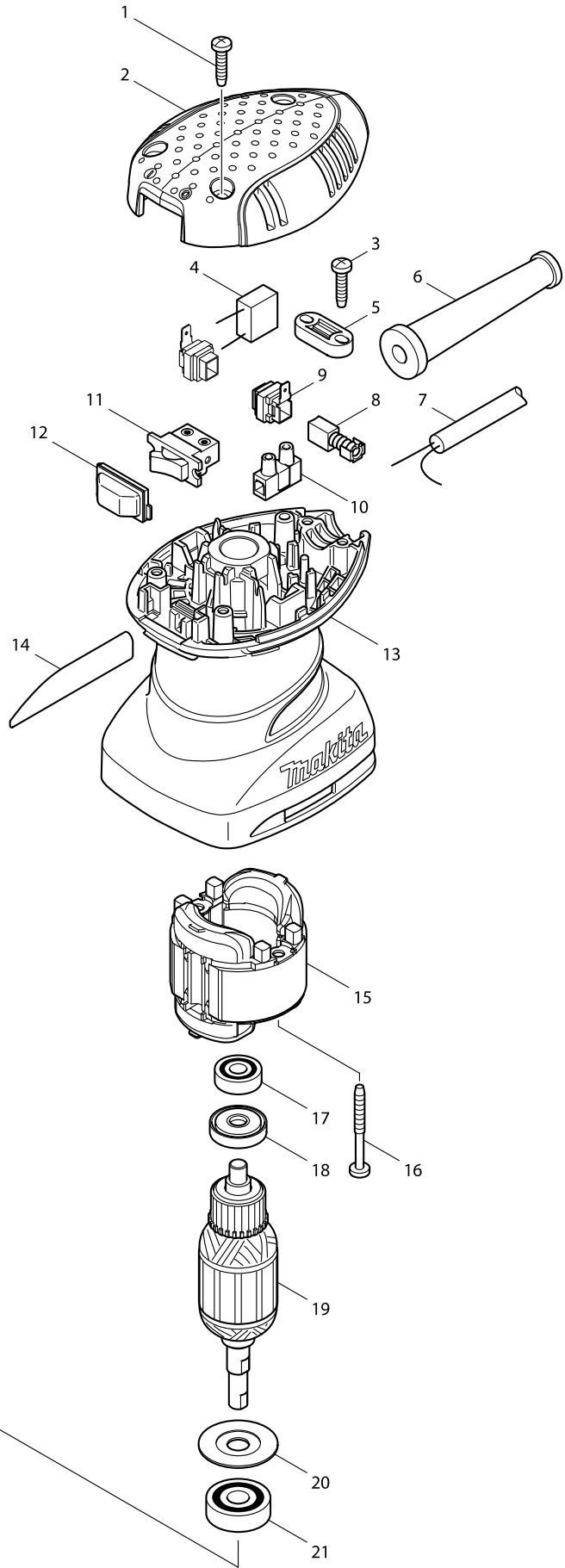
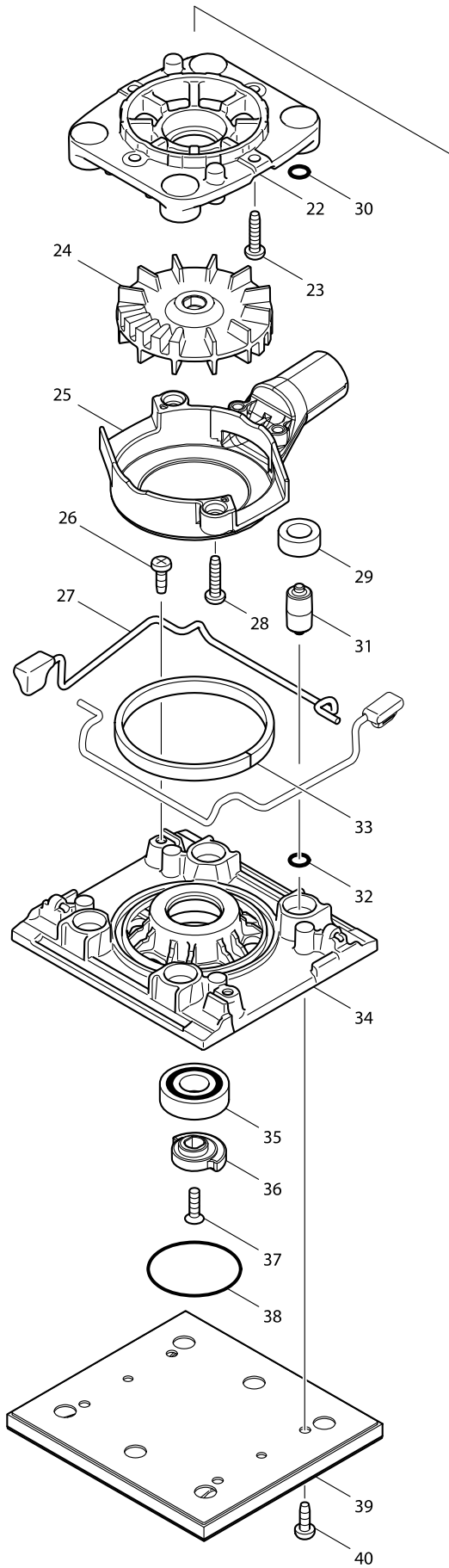


# Model No. BO4556 FINISHING SANDER



# Model No. BO4556 FINISHING SANDER

| Item  | Parts No. | Description                  | I/C | Qty | N/O | Opt. 1 | Opt. 2 | Note |
|-------|-----------|------------------------------|-----|-----|-----|--------|--------|------|
| 001   | 265995-6  | TAPPING SCREW 4X18           |     | 3   |     |        |        |      |
| 002   | 450071-1  | TOP COVER                    |     | 1   |     |        |        |      |
| 003   | 265995-6  | TAPPING SCREW 4X18           |     | 2   |     |        |        |      |
| 004   | 645105-5  | NOISE SUPPRESSOR             |     | 1   |     |        |        |      |
| 005   | 687124-5  | STRAIN RELIEF                |     | 1   |     |        |        |      |
| 006   | 682569-2  | CORD GUARD 8-85              |     | 1   |     |        |        |      |
| 007   | 665383-1  | POWER SUPPLY CORD 1.0-2-2.0  |     | 1   |     |        |        |      |
| 008   | 191962-4  | CARBON BRUSH CB-419          |     | 1   |     |        |        |      |
| 009   | 643995-0  | BRUSH HOLDER                 |     | 2   |     |        |        |      |
| 010   | 654532-5  | TERMINAL BLOCK 1P            |     | 1   |     |        |        |      |
| 011   | 651527-9  | SWITCH                       |     | 1   |     |        |        |      |
| 012   | 424039-3  | SWITCH COVER                 |     | 1   |     |        |        |      |
| 013   | 450072-9  | MOTOR HOUSING                |     | 1   |     |        |        |      |
| 014   | 863715-8  | BO4556 NAME PLATE            |     | 1   |     |        |        |      |
| 015   | 593649-8  | FIELD ASS'Y 240V             |     | 1   |     |        |        |      |
| C10   | 654069-2  | RECEPTACLE                   |     | 2   |     |        |        |      |
| 016   | 266048-4  | TAPPING SCREW 4X40           |     | 2   |     |        |        |      |
| 017   | 210034-7  | BALL BEARING 607LLB          |     | 1   | *   |        |        |      |
| 017-1 | 210062-2  | BALL BEARING 607ZZ           | O   | 1   |     |        |        |      |
| 018   | 681652-2  | INSULATION WASHER            |     | 1   |     |        |        |      |
| 019   | 515708-8  | ARMATURE ASS'Y 220-240V      |     | 1   |     |        |        |      |
| D10   |           | INC. 17,18,20,21             |     |     |     |        |        |      |
| 020   | 267806-1  | WASHER 9                     |     | 1   |     |        |        |      |
| 021   | 211092-6  | BALL BEARING 629DDW          |     | 1   |     |        |        |      |
| 022   | 450070-3  | BEARING BOX                  |     | 1   |     |        |        |      |
| 023   | 265995-6  | TAPPING SCREW 4X18           |     | 4   |     |        |        |      |
| 024   | 241671-6  | FAN 63                       |     | 1   |     |        |        |      |
| 025   | 450069-8  | FAN GUIDE                    |     | 1   |     |        |        |      |
| 026   | 266020-6  | TAPPING SCREW 4X12           |     | 2   |     |        |        |      |
| 027   | 162259-8  | LEVER COMPLETE               |     | 2   |     |        |        |      |
| 028   | 265995-6  | TAPPING SCREW 4X18           |     | 2   |     |        |        |      |
| 029   | 424023-8  | SPONGE SLEEVE 9              |     | 4   |     |        |        |      |
| 030   | 213983-7  | O RING 4                     |     | 4   |     |        |        |      |
| 031   | 318151-8  | FOOT                         |     | 4   |     |        |        |      |
| 032   | 213983-7  | O RING 4                     |     | 4   |     |        |        |      |
| 033   | 424038-5  | SPONGE 6X185X3               |     | 1   | *   |        |        |      |
| 033-1 | 424684-4  | SPONGE 7X87X3                | O   | 1   | *   |        |        |      |
| 033-2 | 424684-4  | SPONGE 7X87X3                | O   | 1   |     |        |        |      |
| 034   | 450067-2  | BASE                         |     | 1   |     |        |        |      |
| 035   | 211131-2  | BALL BEARING 6001DDW         |     | 1   |     |        |        |      |
| 036   | 313141-6  | BALANCER                     |     | 1   |     |        |        |      |
| 037   | 912117-6  | COUNTERSUNK HEAD SCREW M4X12 |     | 1   |     |        |        |      |
| 038   | 213510-0  | O RING 36                    |     | 1   |     |        |        |      |
| 039   | 158324-9  | PAD COMPLETE                 |     | 1   |     |        |        |      |
| 040   | 266020-6  | TAPPING SCREW 4X12           |     | 4   |     |        |        |      |
| A01   | 193932-9  | PAPER DUST BAG HOLDER SET    |     | 1   | *   |        |        |      |
| A01-1 | 135246-0  | DUST BOX ASSEMBLY            | S   | 1   |     |        |        |      |
| C10   | 232246-2  | LEAF SPRING                  |     | 2   |     |        |        |      |

**Model No. BO4556 FINISHING SANDER**

| Item  | Parts No. | Description                | I/C | Qty | N/O | Opt. 1 | Opt. 2 | Note |
|-------|-----------|----------------------------|-----|-----|-----|--------|--------|------|
| C20   | 424144-6  | RUBBER SLEEVE              |     | 1   |     |        |        |      |
| C30   | 450769-0  | DUST NOZZLE                |     | 1   |     |        |        |      |
| C40   | 450770-5  | DUST BOX                   |     | 1   |     |        |        |      |
| A02   | 193712-3  | PAPER DUST BAG SET         |     | 1   | *   |        |        |      |
| A02-1 | 194746-9  | PAPER DUST BAG SET         | S   | 1   |     |        |        |      |
| A03   | 794195-6  | ABRASIVE PAPER SET 114X100 |     | 1   |     |        |        |      |
| A04   | 450066-4  | PUNCH PLATE                |     | 1   |     |        |        |      |
| A05B  | 824806-0  | PLASTIC CARRYING CASE      |     | 1   |     |        |        |      |
| C10   | 163455-1  | LATCH                      |     | 2   |     |        |        |      |
| C20   | 419360-3  | HANDLE                     |     | 1   |     |        |        |      |
| A06B  | 805616-4  | BO4556K MODEL NO. LABEL    |     | 1   |     |        |        |      |
|       |           |                            |     |     |     |        |        |      |
|       |           |                            |     |     |     |        |        |      |
|       |           |                            |     |     |     |        |        |      |
|       |           |                            |     |     |     |        |        |      |
|       |           |                            |     |     |     |        |        |      |
|       |           |                            |     |     |     |        |        |      |
|       |           |                            |     |     |     |        |        |      |
|       |           |                            |     |     |     |        |        |      |
|       |           |                            |     |     |     |        |        |      |
|       |           |                            |     |     |     |        |        |      |
|       |           |                            |     |     |     |        |        |      |
|       |           |                            |     |     |     |        |        |      |
|       |           |                            |     |     |     |        |        |      |
|       |           |                            |     |     |     |        |        |      |
|       |           |                            |     |     |     |        |        |      |
|       |           |                            |     |     |     |        |        |      |
|       |           |                            |     |     |     |        |        |      |
|       |           |                            |     |     |     |        |        |      |
|       |           |                            |     |     |     |        |        |      |
|       |           |                            |     |     |     |        |        |      |
|       |           |                            |     |     |     |        |        |      |
|       |           |                            |     |     |     |        |        |      |
|       |           |                            |     |     |     |        |        |      |
|       |           |                            |     |     |     |        |        |      |
|       |           |                            |     |     |     |        |        |      |
|       |           |                            |     |     |     |        |        |      |
|       |           |                            |     |     |     |        |        |      |
|       |           |                            |     |     |     |        |        |      |
|       |           |                            |     |     |     |        |        |      |
|       |           |                            |     |     |     |        |        |      |
|       |           |                            |     |     |     |        |        |      |
|       |           |                            |     |     |     |        |        |      |
|       |           |                            |     |     |     |        |        |      |
|       |           |                            |     |     |     |        |        |      |
|       |           |                            |     |     |     |        |        |      |
|       |           |                            |     |     |     |        |        |      |
|       |           |                            |     |     |     |        |        |      |
|       |           |                            |     |     |     |        |        |      |
|       |           |                            |     |     |     |        |        |      |
|       |           |                            |     |     |     |        |        |      |
|       |           |                            |     |     |     |        |        |      |
|       |           |                            |     |     |     |        |        |      |
|       |           |                            |     |     |     |        |        |      |
|       |           |                            |     |     |     |        |        |      |
|       |           |                            |     |     |     |        |        |      |