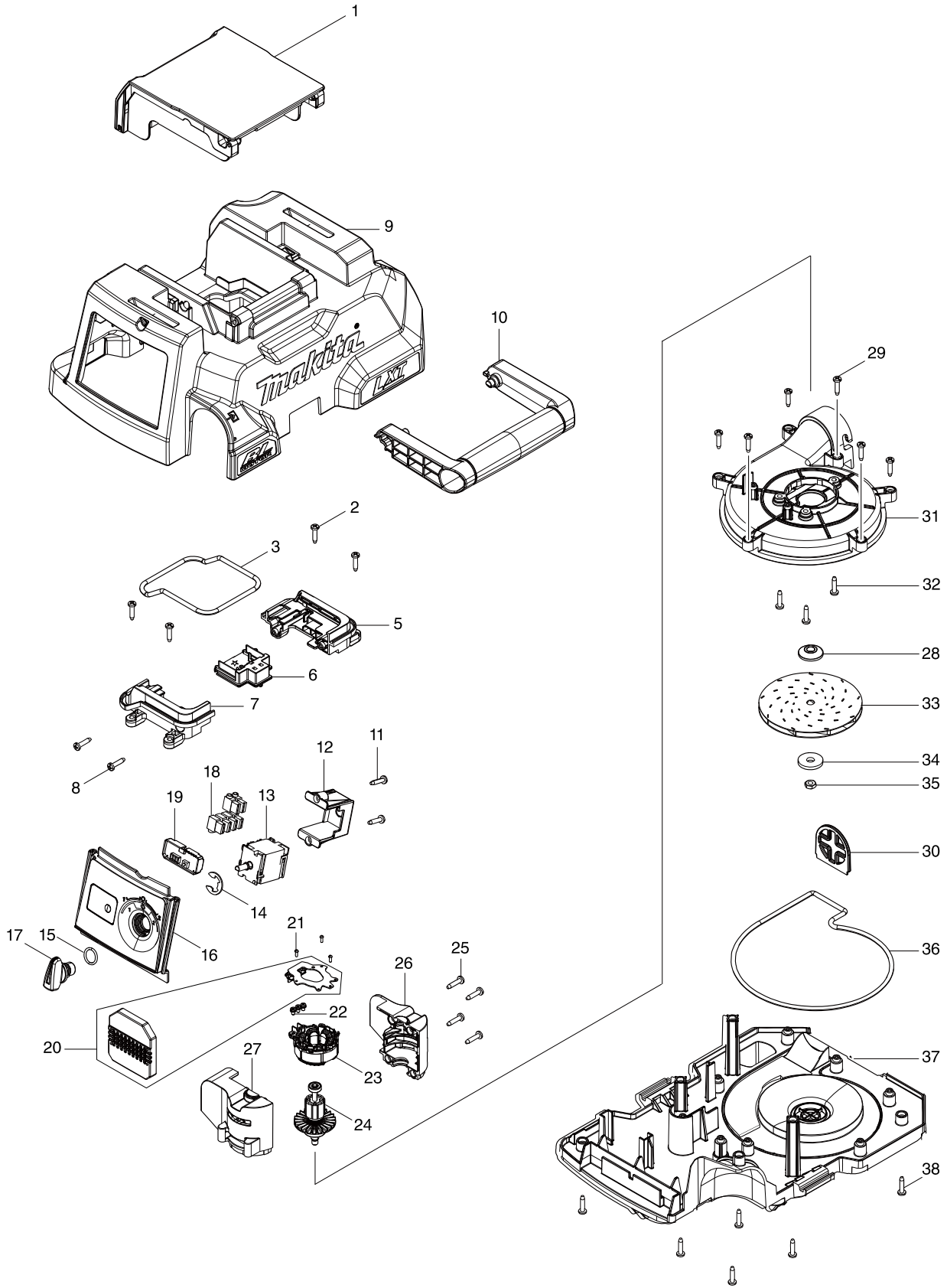
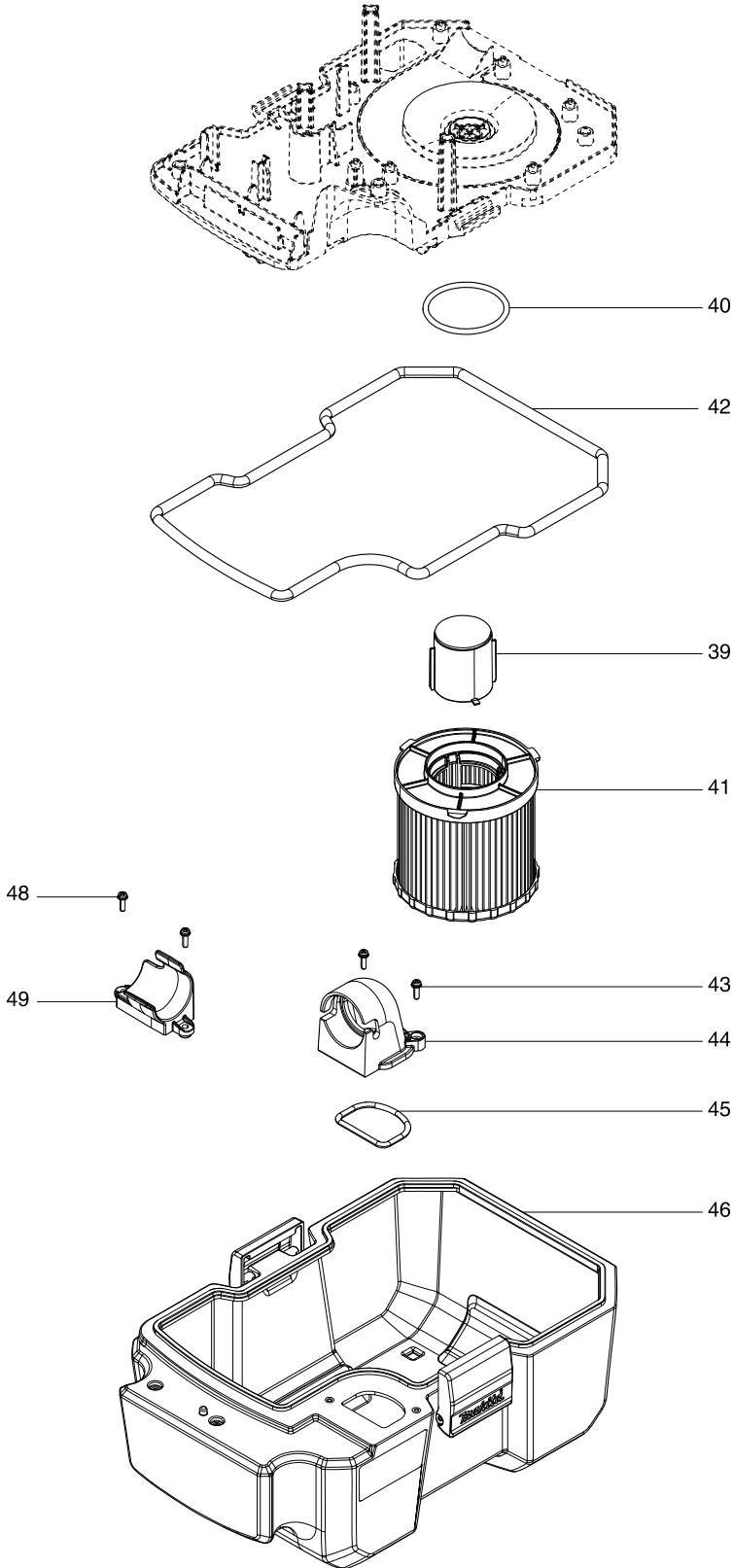


Model No. DVC750L DC PORTABLE VACUUM CLEANER



Model No. DVC750L DC PORTABLE VACUUM CLEANER



Model No. DVC750L DC PORTABLE VACUUM CLEANER

Item	Parts No.	Description	I/C	Qty	N/O	Opt. 1	Opt. 2	Note
001	140G64-5	BATTERY COVER COMPLETE		1				
C10	891978-6	CAUTION LABEL		1				
002	266326-2	TAPPING SCREW 4X18		4				
003	422368-8	SEAL RING E		1				
004	855A83-9	DVC750L SERIAL NO. LABEL		1				
005	183K69-6	TERMINAL CASE SET		1				
D10		INC. 7						
006	644809-6	TERMINAL		1				
007	183K69-6	TERMINAL CASE SET		1				
D10		INC. 5						
008	266326-2	TAPPING SCREW 4X18		2				
009	140G02-7	TOP COVER COMPLETE		1				
010	458886-0	HANDLE		1				
011	266326-2	TAPPING SCREW 4X18		2				
012	451343-7	SWITCH HOLDER		1				
013	651382-9	SWITCH 1703.4702		1				
014	961062-2	STOP RING E-12		1				
015	213176-6	O RING 14		1				
016	140G01-9	SWITCH BASE COMPLETE		1				
C10	818F81-4	INDICATION LABEL		1				
017	457857-4	SWITCH LEVER		1				
018	686023-8	RECEPTACLE SLEEVE		6				
019	620A05-6	INDICATOR CIRCUIT		1				
020	620A06-4	CONTROLLER		1				
021	266490-9	TAPPING SCREW PT 2X6		3				
022	652069-6	FLAT HEAD SCREW M3X6		3				
023	629385-1	STATOR		1				
024	619540-3	ROTOR		1				
025	266326-2	TAPPING SCREW 4X18		4				
026	183K70-1	MOTOR HOUSING SET		1				
D10		INC. 27						
027	183K70-1	MOTOR HOUSING SET		1				
D10		INC. 26						
028	313062-2	FLANGE		1				
029	266326-2	TAPPING SCREW 4X18		6				
030	458973-5	FAN COVER GUARD		1				
031	458883-6	FAN COVER		1				
032	266326-2	TAPPING SCREW 4X18		3				
033	240178-9	FAN 104		1				
034	253752-4	FLAT WASHER 8		1				
035	931303-0	HEX. NUT M6		1				
036	422366-2	SEAL RING C		1				
037	458881-0	TANK COVER		1				
038	266326-2	TAPPING SCREW 4X18		6				
039	140G00-1	FLOAT COMPLETE		1				
040	422364-6	SEAL RING A		1				
041	162518-0	FILTER COMPLETE		1				
042	422367-0	SEAL RING D		1				

