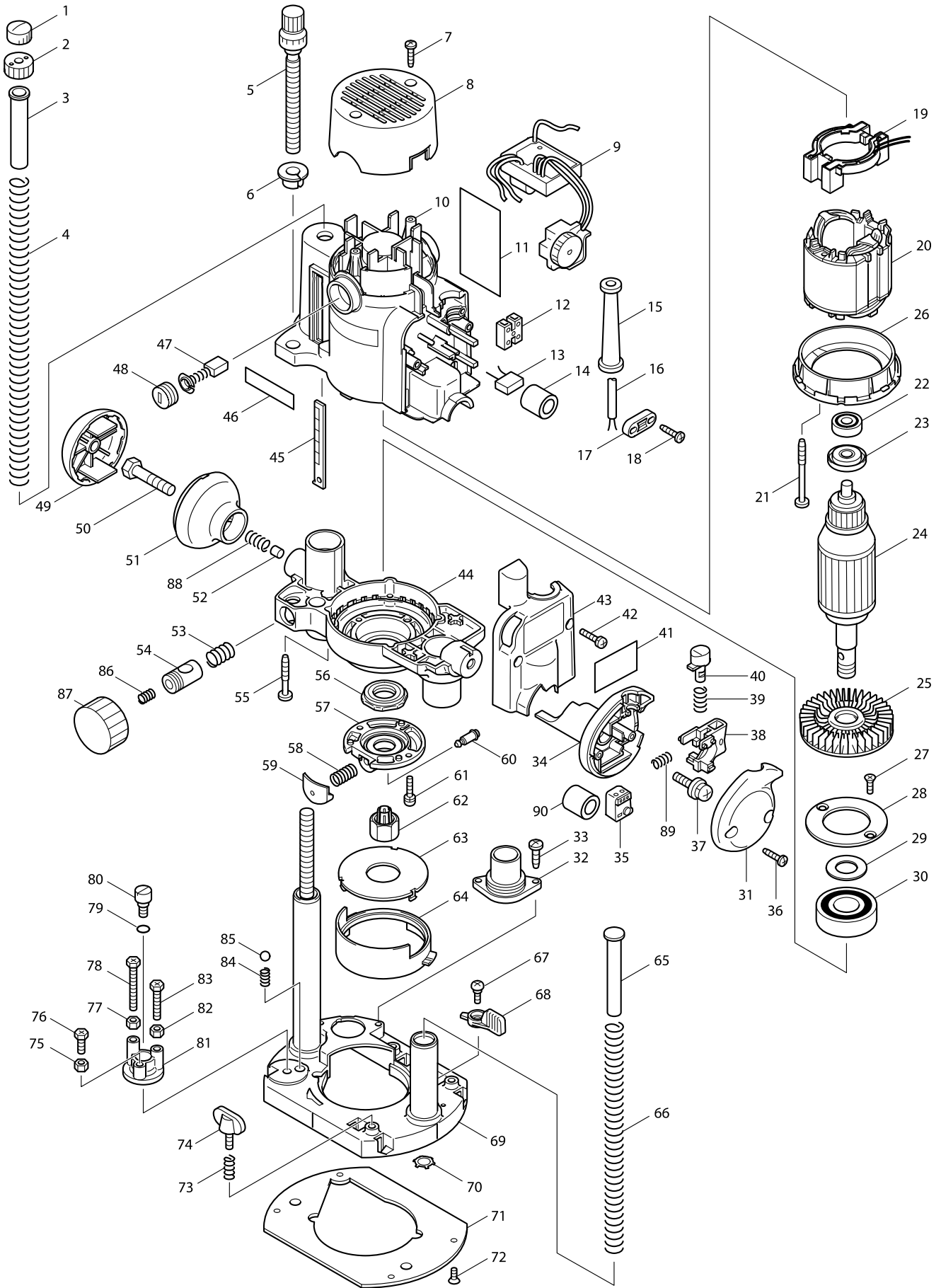


Model No. RP1110C ROUTER 8MM



Item	Parts No.	Description	I/C	Qty	N/O	Opt. 1	Opt. 2	Note
001	252643-6	WING NUT M10		1				
002	410129-8	NYLON NUT M10		1				
003	417320-9	SILENT POLE		1				
004	233287-1	COMPRESSION SPRING 13		1				
005	265739-4	THUMB SCREW M10X90		1				
006	417247-3	DEPTH POINTER		1				
007	265995-6	TAPPING SCREW 4X18		2				
008	417239-2	REAR COVER		1				
009	631406-7	CONTROLLER		1				
010	152618-4	MOTOR HOUSING COMPLETE		1				
C10	643708-9	BRUSH HOLDER 5-11		2				
011	852315-9	NAME PLATE RP1110C		1				
012	654531-7	TERMINAL BLOCK 2P		1				
013	645200-1	NOISE SUPPRESSOR		1				
014	685722-9	SPONGE		1				
015	682566-8	CORD GUARD 10		1				
016	665890-4	POWER SUPPLY CORD 1.0-2-4.0		1				
017	687052-4	STRAIN RELIEF		1				
018	265995-6	TAPPING SCREW 4X18		2				
019	638000-6	SUPPORT COMPLETE		1				
020	634363-8	FIELD 220-240V		1				
021	266095-5	TAPPING SCREW 5X55		2				
022	210005-4	BALL BEARING 608DDW		1				
023	681650-6	INSULATION WASHER		1				
024	516398-0	ARMATURE ASS'Y 220-240V		1				
D10		INC. 22,23,25						
025	240034-3	FAN 70		1				
026	413078-8	BAFFLE PLATE		1				
027	251295-0	+ COUNTERSUNK HEAD SCREW M4X		2				
028	285657-0	BEARING RETAINER 50		1				
029	267114-0	FLAT WASHER 17		1				
030	211278-2	BALL BEARING 6203DDW		1				
031	417251-2	KNOB COVER R		1				
032	417256-2	NOZZLE JOINT		1				
033	266034-5	TAPPING SCREW CT 4X16		2				
034	417250-4	KNOB R		1				
035	651834-0	SWITCH SP115C		1				
036	265995-6	TAPPING SCREW 4X18		2				
037	911333-7	PAN HEAD SCREW M6X20		1				
038	417254-6	TRIGGER		1				
039	233288-9	COMPRESSION SPRING 8		1				
040	417255-4	LOCK-OFF BUTTON		1				
041	816361-6	OPERATION INDICATION LABEL		1				
042	911133-5	PAN HEAD SCREW M4X18		2				
043	417240-7	COVER		1				
044	152619-2	MOTOR BRACKET COMPLETE		1				
045	816792-9	SCALE PLATE		1				
046	819063-3	MAKITA LABEL		1				

Item	Parts No.	Description	I/C	Qty	N/O	Opt. 1	Opt. 2	Note
047	191963-2	CARBON BRUSH CB-303		1				
048	643750-0	BRUSH HOLDER CAP 7-11		2				
049	417249-9	KNOB COVER		1				
050	265479-4	HEX. BOLT M8X35		1				
051	417248-1	KNOB		1				
052	323856-7	LOCK PIN		1				
053	231231-2	COMPRESSION SPRING 12		1				
054A	323858-3	HALF NUT		1	*			
054-1A	153476-1	HALF NUT COMPLETE	S	1				
054-1B	153476-1	HALF NUT COMPLETE		1				
055	266012-5	TAPPING SCREW 5X35		4				
056	285701-3	RETAINER		1				
057	317365-6	RETAINER COVER		1				
058	233072-2	COMPRESSION SPRING 8		1				
059	417253-8	PUSH BUTTON		1				
060	256437-1	PIN 4		1				
061	911133-5	PAN HEAD SCREW M4X18		2				
062	193178-7	COLLET CONE 8 ASS'Y		1				
C10	763652-5	COLLET NUT		1				
063	417246-5	DUST GUIDE CAP		1				
064	417245-7	DUST GUIDE		1				
065	417252-0	POLE		1				
066	233286-3	COMPRESSION SPRING 11		1				
067	265028-7	+ PAN HEAD SCREW M4X11		1				
068	417257-0	LOCK LEVER		1				
069	152617-6	BASE COMPLETE		1				
070	259037-6	SELF LOCK 16		1				
071	413079-6	BASE PLATE		1				
072	912112-6	COUNTERSUNK HEAD SCREW M4X10		4				
073	231240-1	COMPRESSION SPRING 7		3				
074A	265740-9	SCREW M5X15		3	*			
074-1A	265720-5	THUMB SCREW M5X14	O	3				
074-1B	265720-5	THUMB SCREW M5X14		3				
075	931202-6	HEX. NUT M5		1	*			
076	265333-2	+ HEX. BOLT M5X16		1	*			
076-1	265586-3	+HEX. BOLT M5X14	S	1				
077	931202-6	HEX. NUT M5		1	*			
078	265336-6	+ HEX. BOLT M5X40		1	*			
078-1	265587-1	+HEX. BOLT M5X20	S	1				
079	213030-4	O RING 8		1				
080	251467-7	- FLAT HEAD SCREW M6		1				
081	315931-3	STOPPER		1				
082	931202-6	HEX. NUT M5		1	*			
083	265335-8	+ HEX. BOLT M5X28		1	*			
083-1	265587-1	+HEX. BOLT M5X20	S	1				
084	231419-4	COMPRESSION SPRING 5		1				
085	216009-4	STEEL BALL 7.1		1				
086A	231419-4	COMPRESSION SPRING 5		1	*			

