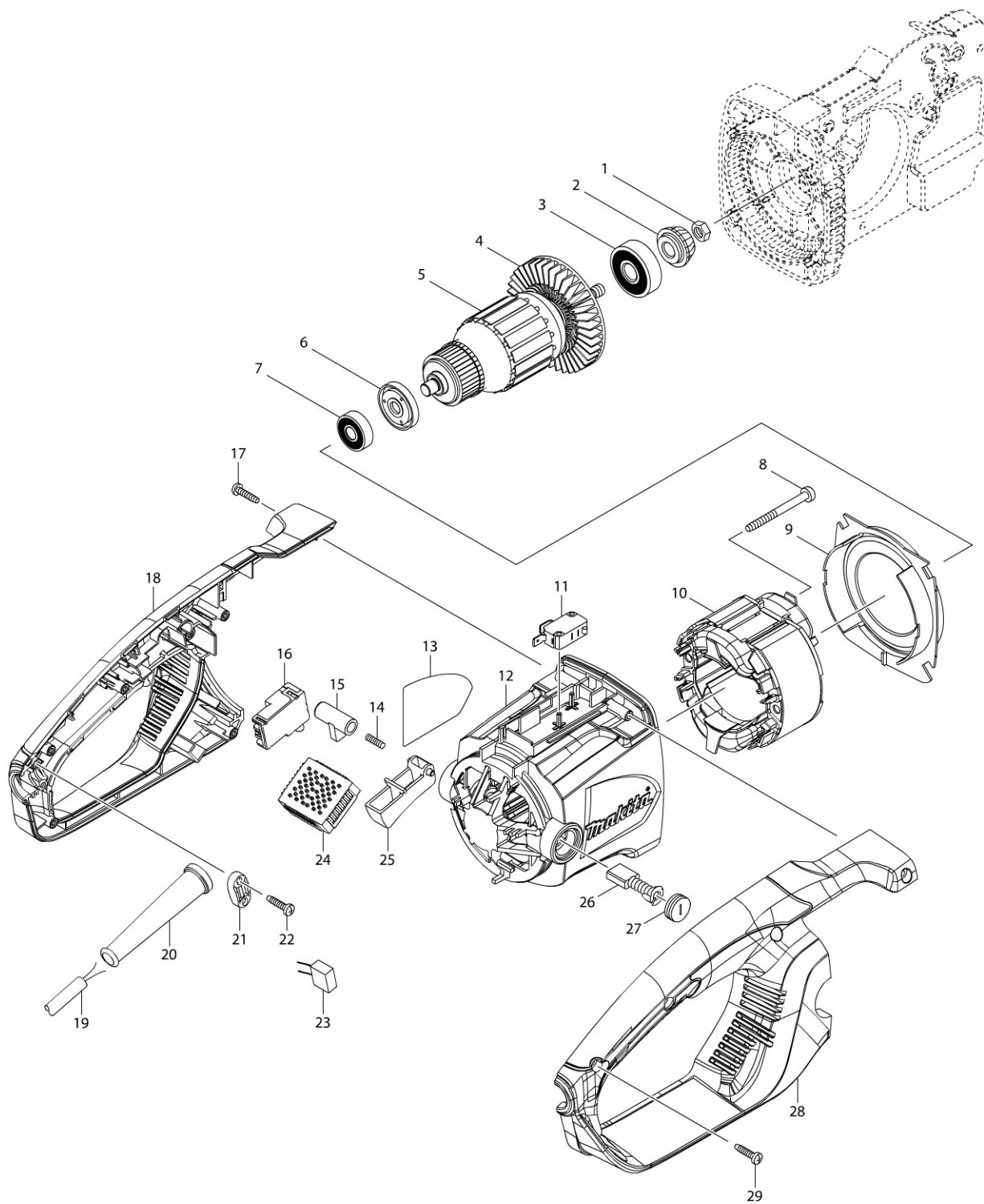
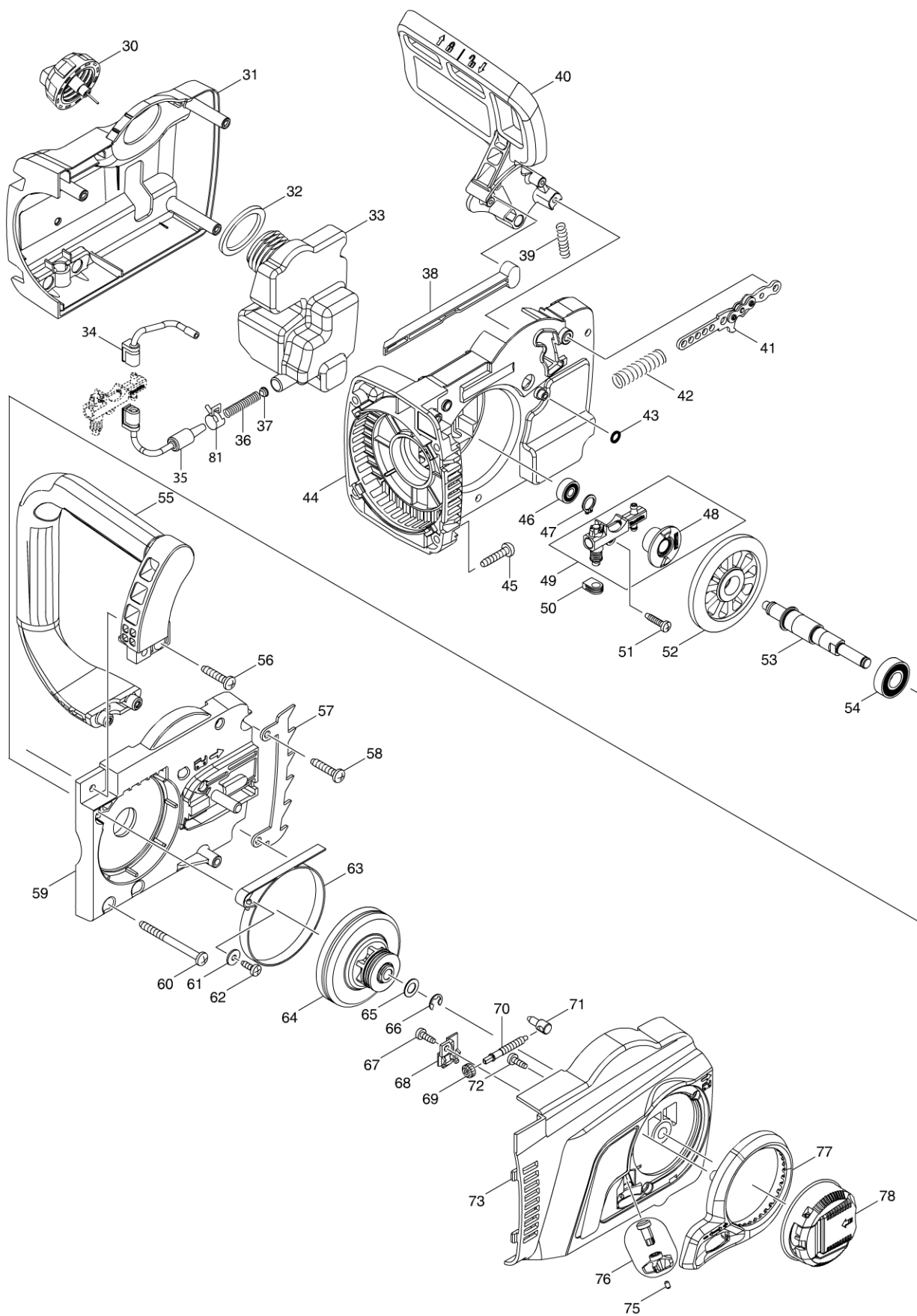


Model No. UC3551A ELECTRIC CHAIN SAW 350MM



Model No. UC3551A ELECTRIC CHAIN SAW 350MM



Model No. UC3551A ELECTRIC CHAIN SAW 350MM

Item	Parts No.	Description	I/C	Qty	N/O	Opt. 1	Opt. 2	Note
001	931403-6	HEX. NUT M8		1				
002	227626-5	SPIRAL BEVEL GEAR 12		1				
003	211111-8	BALL BEARING 6301LLB		1				
004	240003-4	FAN 80		1				
005	517904-4	ARMATURE ASS'Y 240V		1				
D10		INC. 3,4,6,7						
006	681666-1	INSULATION WASHER		1				
007	210084-2	BALL BEARING 629ZZ		1				
008	266095-5	TAPPING SCREW 5X55		2				
009	419410-4	BAFFLE PLATE		1				
010	636394-3	FIELD 240V		1				
011	650577-1	SWITCH SD-006-BB2AA-AA		1				
012	142348-5	MOTOR HOUSING COMPLETE		1				
C10	643653-8	BRUSH HOLDER 6.5-13.5		2				
013	815F99-6	UC3551A NAME PLATE		1				
014	233173-6	COMPRESSION SPRING 4		1				
015	416178-3	LOCK-OFF BUTTON		1				
016	650717-1	SWITCH TGC30B		1				
017	265995-6	TAPPING SCREW 4X18		1				
018	187901-0	HANDLE SET		1				
C10	802G51-9	CAUTION LABEL		1				
D10		INC. 28						
019	665883-1	POWER SUPPLY CORD 1.0-2-5.0		1				
020	682540-6	CORD GUARD 9.3-90		1				
021	687124-5	STRAIN RELIEF		1				
022	265995-6	TAPPING SCREW 4X18		2				
023	645105-5	NOISE SUPPRESSOR		1				
024	631719-6	CONTROLLER		1				
025	419411-2	SWITCH LEVER		1				
026	181044-0	CARBON BRUSH CB-153		1				
027	643650-4	BRUSH HOLDER CAP 6.5-13.5		2				
028	187901-0	HANDLE SET		1				
C10	802G51-9	CAUTION LABEL		1				
D10		INC. 18						
029	265995-6	TAPPING SCREW 4X18		6				
030	142282-9	TANK CAP COMPLETE		1				
031	454822-4	GEAR HOUSING COVER		1				
032	421959-2	SPONGE SEAL		1				
033	454826-6	OIL TANK		1				
034	424611-1	CONNECTOR B		1				
035	424610-3	CONNECTOR A		1				
036	231975-4	SPRING		1				
037	416274-7	CAP		1				
038	454825-8	ROD		1				
039	233174-4	COMPRESSION SPRING 6		1				
040	142341-9	FRONT HAND GUARD COMPLETE		1				
C10	802K54-7	INDICATION LABEL		1				
041	158044-5	LINK PLATE COMPLETE		1				

