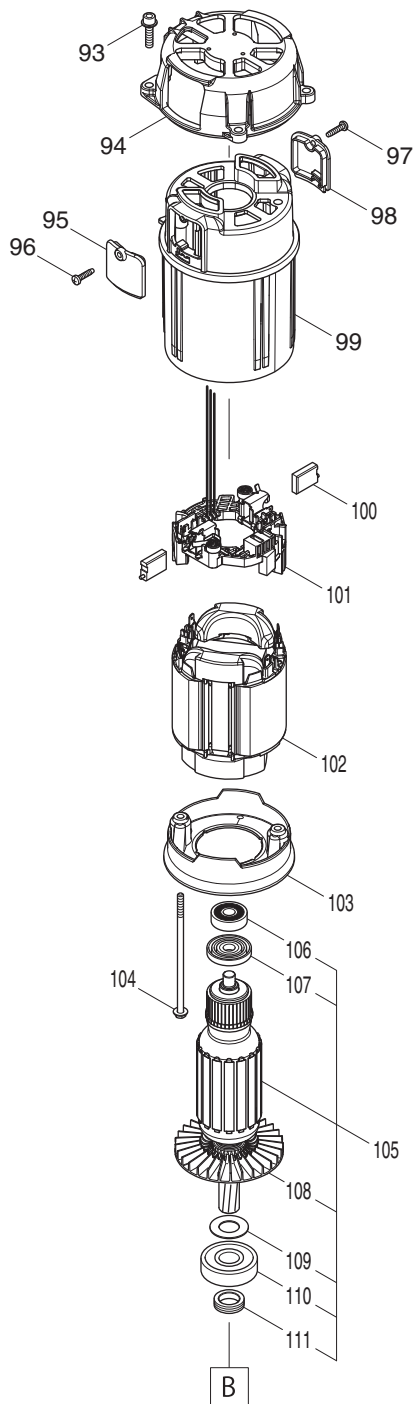
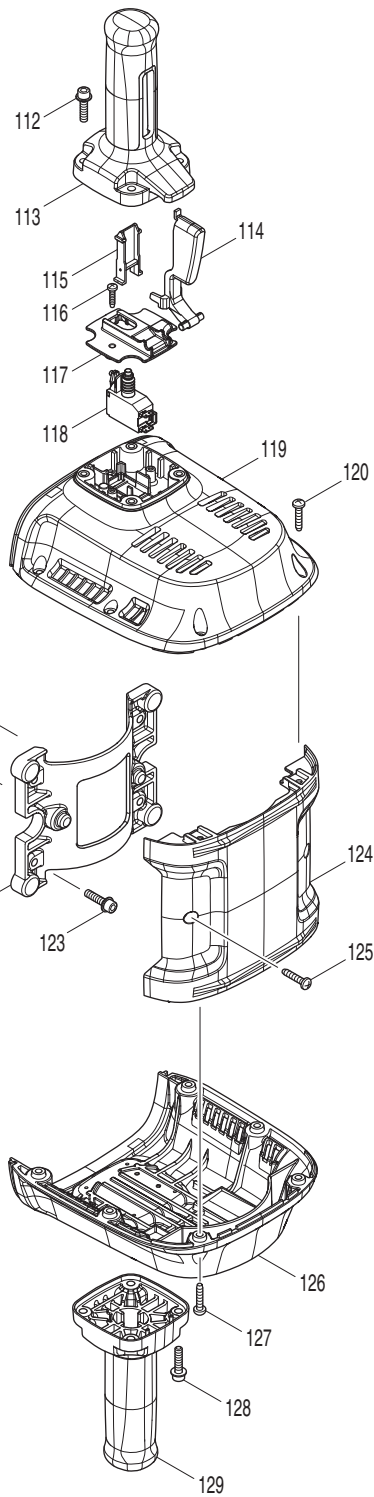


A



B



C

Part List FOR HM1812

POS NO	PART NO	DESCRIPTION	USED QTY
001	324236-0	TOOL RETAINER	1
002	322477-2	TOOL RETAINER POLE	2
003	256219-1	PIN 4	2
004	310616-6	TOOL HOLDER 29	1
005	233083-7	COMPRESSION SPRING 12	2
006	322560-5	RETAINER RING	2
007	213757-6	O RING 80	1
008	951272-9	SPRING PIN 8-40	2
009	324238-6	TOOL RETAINER SHAFT	1
010	265989-1	HEX. SOCKET BOLT M12X45	4
011	942301-9	SPRING WASHER 12	4
012	213797-4	X-RING 47	1
013	213798-2	O-RING 47	1
014	326469-3	IMPACT BOLT	1
015	332127-1	WASHER 42	1
016	262174-7	RUBBER RING 47	1
017	332127-1	WASHER 42	1
018	319218-5	BARREL	1
019	450347-6	CAP	1
020	213953-6	O RING 24	1
021	922677-0	HEX. SOCKET BOLT M12X55	4
022	942301-9	SPRING WASHER 12	4
023	424666-6	SEAL RING A	1
024	346840-5	PLATE	1
025	266086-6	HEX. SOCKET HEAD BOLT M5X16	2
026	326470-8	STRIKER	1
027	213799-0	O-RING 56	1
028	332130-2	CYLINDER LINER 66	1
029	455492-2	SPACER 72	1
030	123361-2	BALLANCER ASSEMBLY	1
030	D10	INC. 29,31	0
031	455492-2	SPACER 72	1
032	332131-0	SPACER	1
033	142922-9	CONNECTING ROD COMPLETE	1
034	268328-4	PIN 15 C	1
035	213799-0	O-RING 56	1
036	455509-1	PISTON	1
037	213662-7	O RING 55	1
038	455490-6	CONNECTING ROD	1
039	424669-0	BELLOWS	1
040	211151-6	BALL BEARING 6306LLB	1
041	227797-8	HELICAL GEAR 57	1
042	267290-0	FLAT WASHER 18	1
043	226834-5	GEAR COMPLETE 23-59	1
044	212099-5	NEEDLE CAGE 1816	2
045	267290-0	FLAT WASHER 18	1
046	424667-4	SEAL RING B	1
047	455491-4	GEAR COVER	1
048	266923-4	H.S.HEAD BOLT M6X25 WITH GM	6
049	455500-9	SIDE COVER B	1
050	850X57-3	HM1812 SERIAL NO. LABEL	1
051	266923-4	H.S.HEAD BOLT M6X25 WITH GM	4
052	850T96-9	HM1812 NAME PLATE	1
053	424668-2	FILTER CAP	1
054	443127-7	FILTER	1
055	455493-0	STOPPER	1
056	213810-8	O-RING 124	1
057	961156-3	RETAINING RING S-40	1
058	142921-1	CRANK COMPLETE	1
059	267486-3	FLAT WASHER 50	1
060	142952-0	CRANK BOX COMPLETE	1
061	267486-3	FLAT WASHER 50	1
062	310619-0	COUNTER SHAFT	1
063	213902-3	O RING 135	1
064	254220-0	KEY 5	1
065	310618-2	CRANK SHAFT	1
066	211500-7	BALL BEARING 6307LLU	1
067	256559-7	FLAT FILLISTER HD PIN 6	4
068	455506-7	HANDLE C	1
069	455503-3	CENTER COVER	1
070	234349-8	COMPRESSION SPRING 12A	4
071	326471-6	ROD 10	4
072	142919-8	CRANK HOUSING COMPLETE	1
073	455503-3	CENTER COVER	1

Part List FOR HM1812

POS NO	PART NO	DESCRIPTION	USED QTY
074	455506-7	HANDLE C	1
075	265995-6	TAPPING SCREW 4X18	2
076	455499-8	SIDE COVER A	1
077	266923-4	H.S.HEAD BOLT M6X25 WITH GM	4
078	455510-6	BRACKET	1
079	266923-4	H.S.HEAD BOLT M6X25 WITH GM	2
080	265995-6	TAPPING SCREW 4X18	3
081	455495-6	CAP COVER	1
082	688165-4	LINE FILTER	2
083	455514-8	LENS	1
084	632E02-4	LEAD UNIT	1
085	654531-7	TERMINAL BLOCK 2P	1
086	620365-0	CONTROLLER	1
087	265995-6	TAPPING SCREW 4X18	1
088	687169-3	STRAIN RELIEF	1
089	695123-3	POWER SUPPLY CORD 1.5-2-4.0	1
090	682560-0	CORD GUARD 10	1
091	266923-4	H.S.HEAD BOLT M6X25 WITH GM	2
092	455494-8	CRANK HOUSING CAP	1
093	266923-4	H.S.HEAD BOLT M6X25 WITH GM	4
094	319220-8	BEARING BOX	1
095	455498-0	BRUSH HOLDER COVER	1
096	265995-6	TAPPING SCREW 4X18	1
097	265995-6	TAPPING SCREW 4X18	1
098	455498-0	BRUSH HOLDER COVER	1
099	455496-4	MOTOR HOUSING	1
100	197129-2	CARBON BRUSH CB-218	1
101	632E01-6	BRUSH HOLDER UNIT	1
102	636409-6	FIELD 240V	1
103	455497-2	BAFFLE PLATE	1
104	266922-6	+ HEX. BOLT M5X120 WITH GM	2
105	517914-1	ARMATURE ASS'Y 240V	1
105	D10	INC. 106-111	0
106	211087-9	BALL BEARING 6200DDW	1
107	681630-2	INSULATION WASHER	1
108	240156-9	FAN 90	1
109	267487-1	FLAT WASHER 17	1
110	211152-4	BALL BEARING 6303LLU	1
111	332129-7	SEALING SCREW	1
112	266923-4	H.S.HEAD BOLT M6X25 WITH GM	4
113	455504-1	HANDLE A	1
114	455508-3	SWITCH LEVER	1
115	455511-4	SWITCH GUIDE	1
116	265995-6	TAPPING SCREW 4X18	1
117	455507-5	SWITCH COVER	1
118	650738-3	SWITCH C3JW-C-P	1
119	455502-5	HANDLE BASE A	1
120	266041-8	TAPPING SCREW 5X25	6
121	256269-6	PIN 6	2
122	319222-4	BASE	1
123	266923-4	H.S.HEAD BOLT M6X25 WITH GM	4
124	455501-7	HEAD COVER	1
125	266041-8	TAPPING SCREW 5X25	2
126	455512-2	HANDLE BASE B	1
127	266041-8	TAPPING SCREW 5X25	6
128	266923-4	H.S.HEAD BOLT M6X25 WITH GM	4
129	455505-9	HANDLE B	1
130	685756-2	RUBBER SHEET	1
131	135669-2	TOOL HOLDER ASS'Y	1
131	D10	INC. 1-6,8,9	0
132	684970-7	GLASS CLOTH TUBE 3.5-45	2
A01	783203-8	HEX. WRENCH 5	1
A02	B-10372	28.6MM HEX SELF SHARPENING	1
E01	801S81-9	SOUND 110DB LABEL	1