

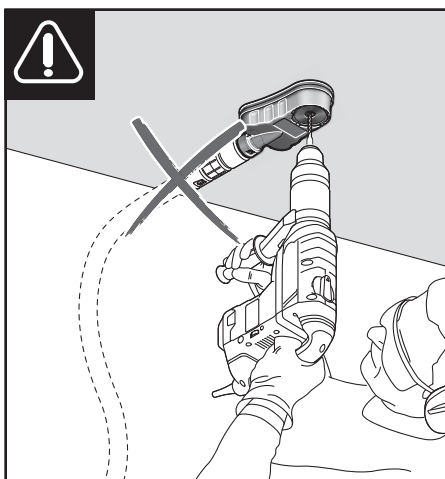
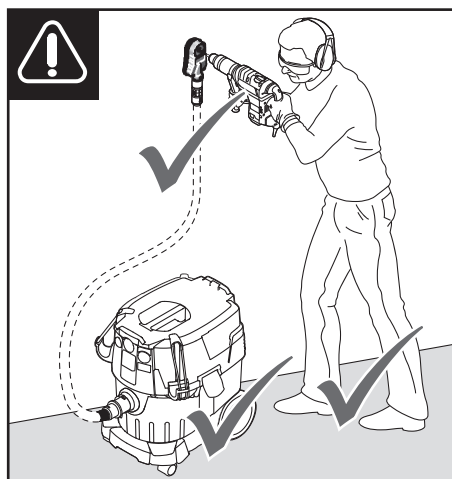
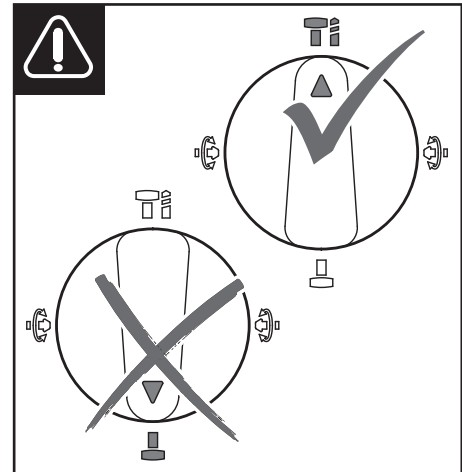
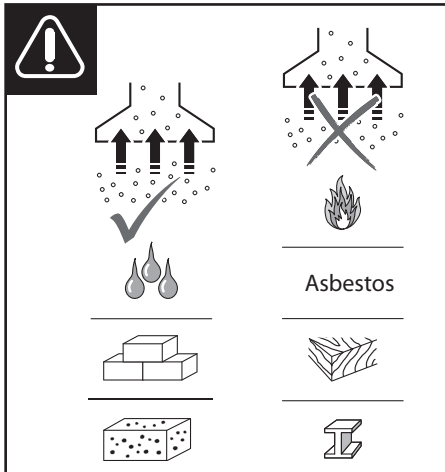
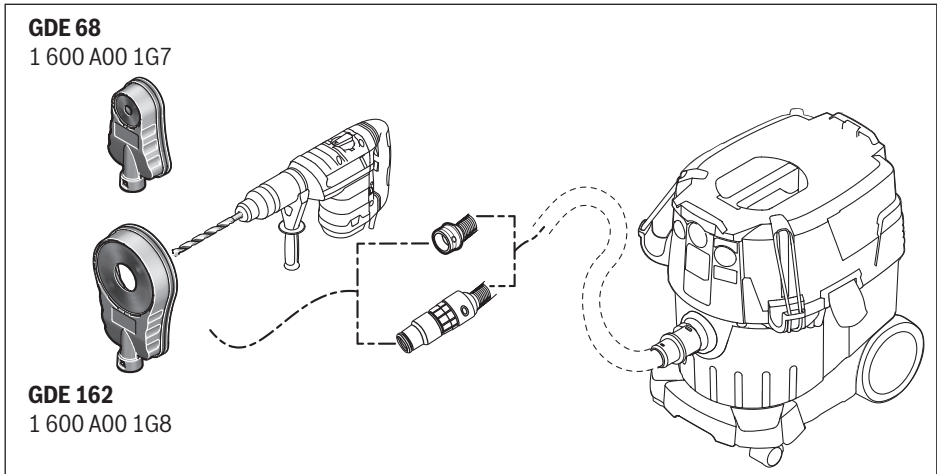
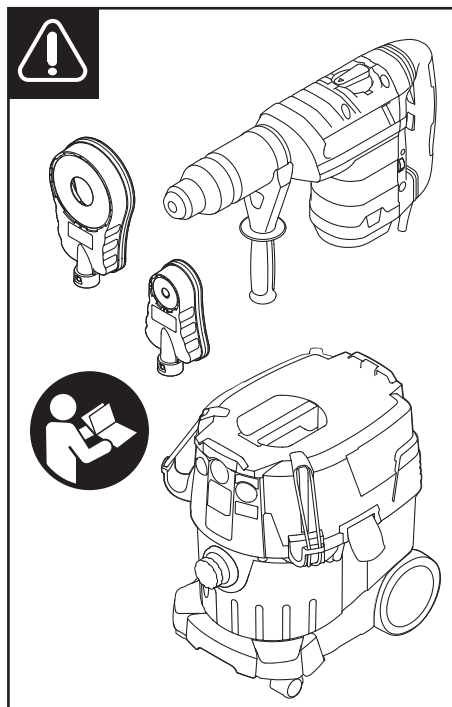
# GDE 68 Professional GDE 162 Professional

**Robert Bosch GmbH**  
Power Tools Division  
70745 Leinfelden-Echterdingen  
Germany  
[www.bosch-pt.com](http://www.bosch-pt.com)

1 619 92A 05U (2013.06) PS / 2 XXX



	GDE 68	GDE 162
$\varnothing$ max. mm	68	162
	g	g
	325	500



2 |

