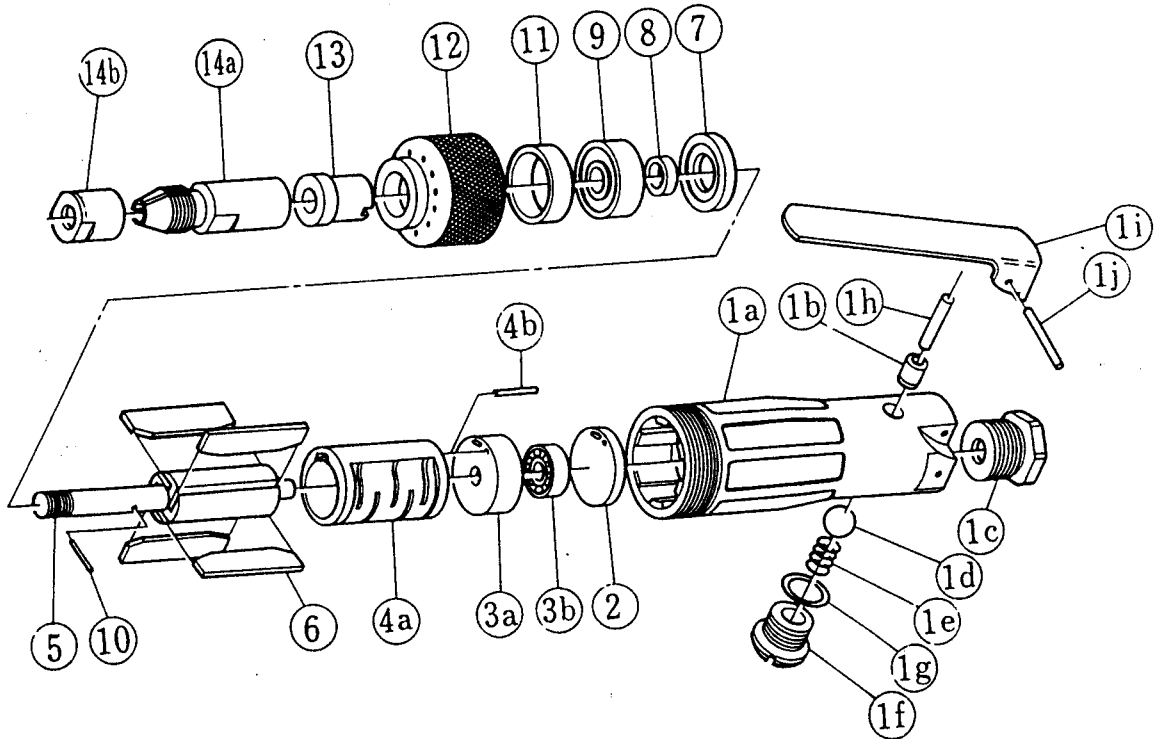


YOKOTA

MODELS: MG-0A MIDGET GRINDERS (YES-04)

Tool No. 1009 0000 04 00

● EXPLODED VIEW



● PARTS LIST

| Index No. | Name of Parts | Per Set | Parts No. | Index No. | Name of Parts | Per Set | Parts No. | | | | |
|-----------|-------------------------------|---------|-----------------|--------------|--------------------------|---------|-----------------|--|-------------------------|------|-----------------|
| 1 | Motor Case Assy. | 1set | 1009 0011 02 99 | 5 | Rotor | 1 | 1009 0305 00 00 | | | | |
| | (a) Motor Case | 1 | 1009 0011 02 00 | 6 | Vane | 4 | 1002 0306 00 00 | | | | |
| | (b) Throttle Bushing | 1 | 1701 0104 00 00 | 7 | Lower Plate | 1 | 1009 0307 00 00 | | | | |
| | (c) Hose Joint | 1 | 4008 0113 00 00 | 8 | Rotor Spacer | 1 | 1003 0310 00 00 | | | | |
| | (d) Ball (3/8) | 1 | 9150 4005 00 00 | 9 | Ball Bearing (#628Z) | 1 | 9100 4015 00 00 | | | | |
| | (e) Spring (8X16) | 1 | 8020 1066 00 00 | 10 | Spring Roll Pin (2X12) | 1 | 9250 1015 00 00 | | | | |
| | Throttle Cap Assy. | 1set | 0004 0107 00 99 | 11 | Bearing Spacer | 1 | 1009 0624 00 00 | | | | |
| | (f) Throttle Cap | 1 | * ↑ | 12 | Motor Case Cover | 1 | 1009 0001 01 00 | | | | |
| | (g) "O" Ring (P11) | 1 | 9010 1010 00 00 | 13 | Chuck Spacer | 1 | 1009 0664 00 00 | | | | |
| | (h) AF Pin (4X16) | 1 | 8051 2004 00 00 | 14 | Collet Chuck Assy. (6mm) | 1set | 1013 0661 01 99 | | | | |
| | (i) Throttle Lever | 1 | 2104 0110 00 00 | | (a) 6mm Collet Chuck | 1 | * ↑ | | | | |
| | (j) Spring Roll Pin (3X22) | 1 | 9250 1054 00 00 | | (b) Collet Nut | 1 | 1001 0660 01 00 | | | | |
| 2 | Upper Plate Spacer | 1 | 1009 0301 00 00 | Option Parts | | | | | | | |
| 3 | Upper Plate Assy. | 1set | 1002 0303 00 99 | | | | | | Collet Chuck Bushing | 1 | 1001 0659 00 01 |
| | (a) Upper Plate | 1 | 1002 0303 00 00 | | | | | | 3mm Collet Chuck Assy. | 1set | 1013 0661 04 99 |
| | (b) Miniature Bearing (R1560) | 1 | 9130 0006 00 00 | | | | | | 1/4" Collet Chuck Assy. | 1set | 1013 0661 02 99 |
| 4 | Cylinder Assy. | 1set | 1009 0304 01 99 | | 1/8" Collet Chuck Assy. | 1set | 1013 0661 03 99 | | | | |
| | (a) Cylinder | 1 | * ↑ | | | | | | | | |
| | (b) Spring Roll Pin (2X14) | 1 | 9250 1017 00 00 | | | | | | | | |

The part marked "*" can not be supplied individually. So please order it as a unit of assembly shown by arrow mark (↑).



YOKOTA EUROPA BV

DE RUYTERKADE 142, AMSTERDAM PHONE(020)25 29 53 TELEXNR:14022

IMPACT WRENCHES, DRIVERS, GRINDERS, HAMMERS, DRILLS, FLUX CHIPPERS, TAPPERS, AIR SCALERS, PUMPS.