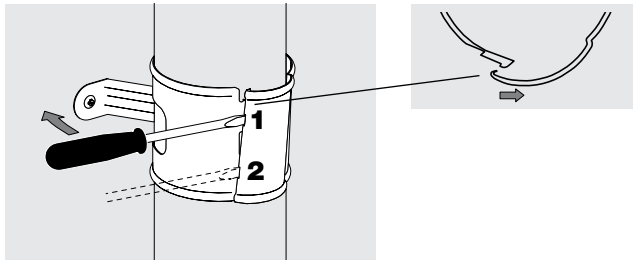
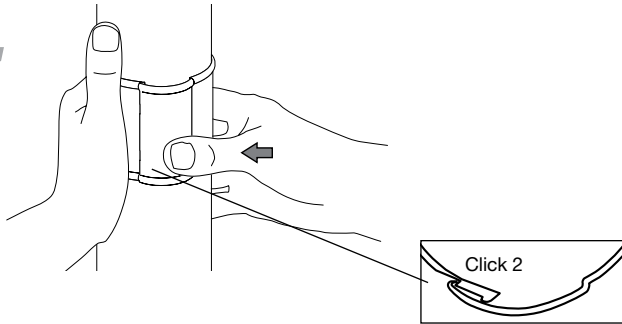
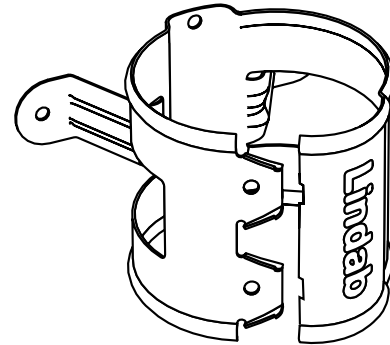


5.



# SSVH



Lindab Profil AB

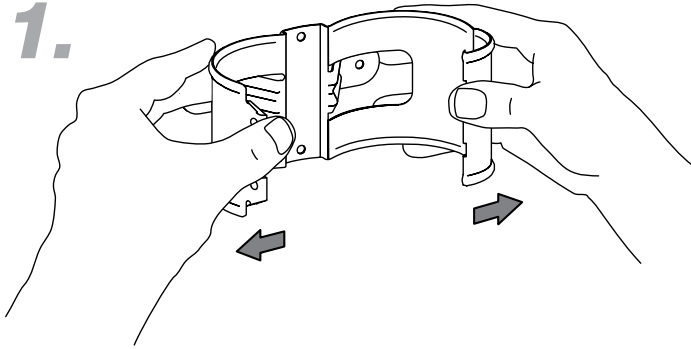
SE-269 82 Båstad  
Phone +46 431 850 00  
Fax +46 431 851 90



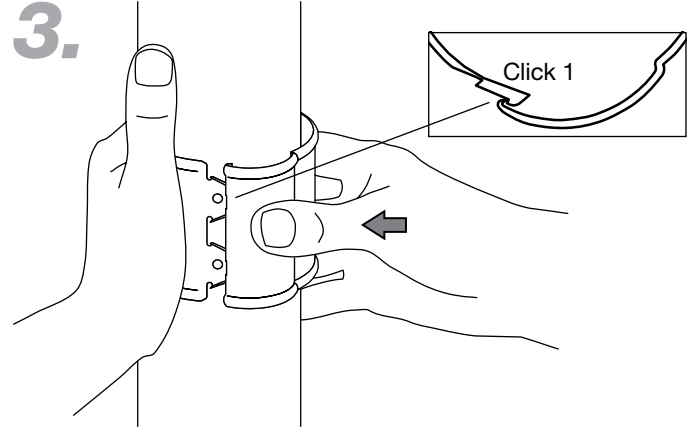
[www.lindab.com](http://www.lindab.com)



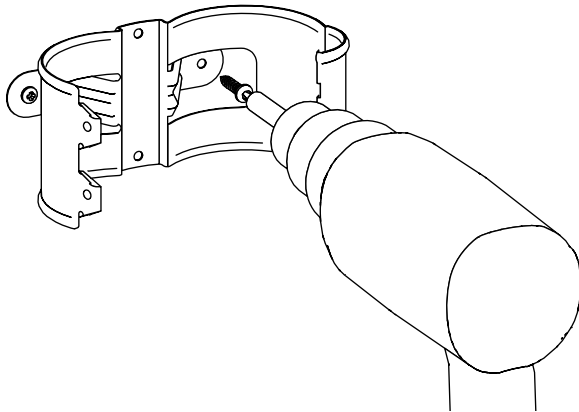
1.



3.



2.



4.

