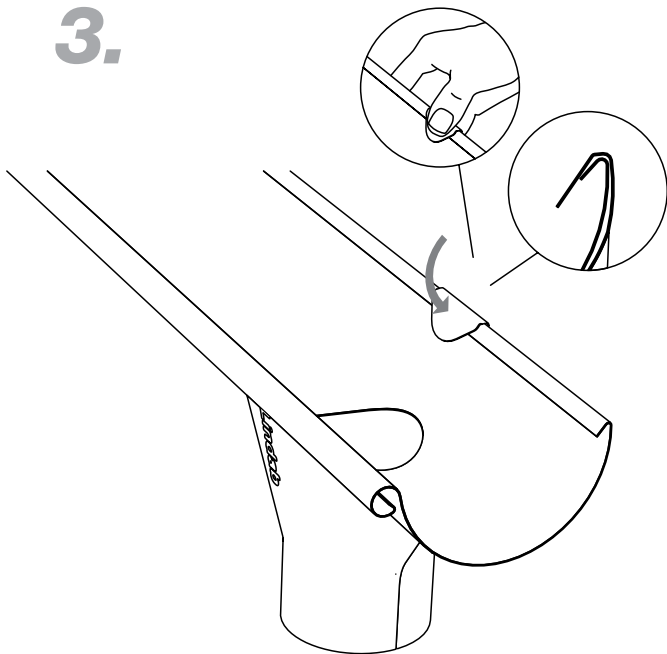
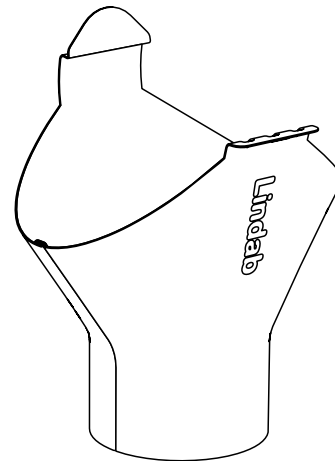


3.



# OMV



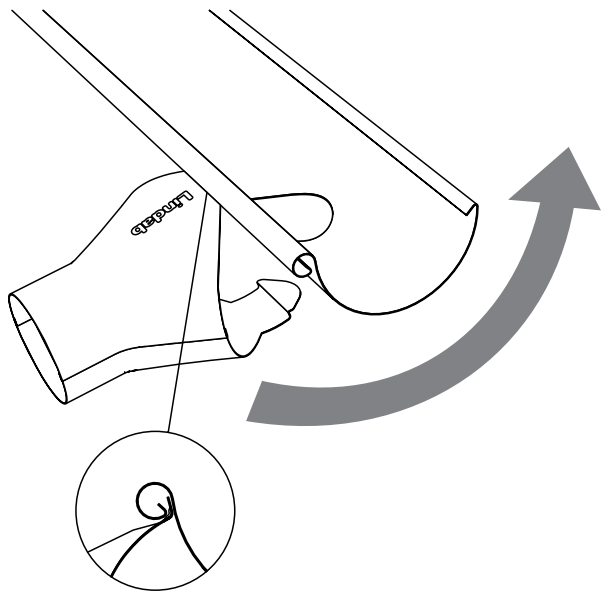
Lindab Profil AB

SE-269 82 Båstad  
Phone +46 431 850 00  
Fax +46 431 851 90



www.lindab.com

1.



2.

